

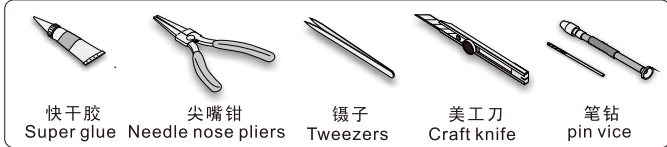
1/35 MILITARY MINIATURE VEHICLE UPGRADE SERIES PEA212

WWII German Pz.Kpfw.III Ausf. M/N Additional Armour Pattern 2

二战德国III号坦克M/N型坦克附加装甲 改造件 (样式2)

[For DRAGON]

■ 推荐使用工具 RECOMMENDED TOOLS



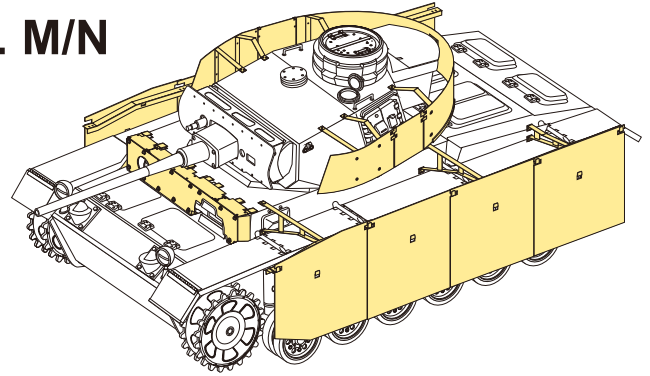
快干胶
Super glue

尖嘴钳
Needle nose pliers

镊子
Tweezers

美工刀
Craft knife

笔钻
pin vice



↑
安装
install

↩
折叠
bend

A1
改造件零件编号
PE/resin part number

B12
原零件编号
kit part number

C22
被替换的原零件编号
replaced kit part number

▲
另一侧相同制作
repeat on opposite side

✂
切除
remove

🔪
打磨
grind off

📏
弧度卷曲
radial bending

x2
制作若干组
multiple assembly

↔
选择安装
alternative

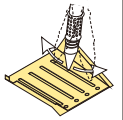
🔧
用铜管制作
make from brass tube

📌
用胶棒制作
make from plastic rod

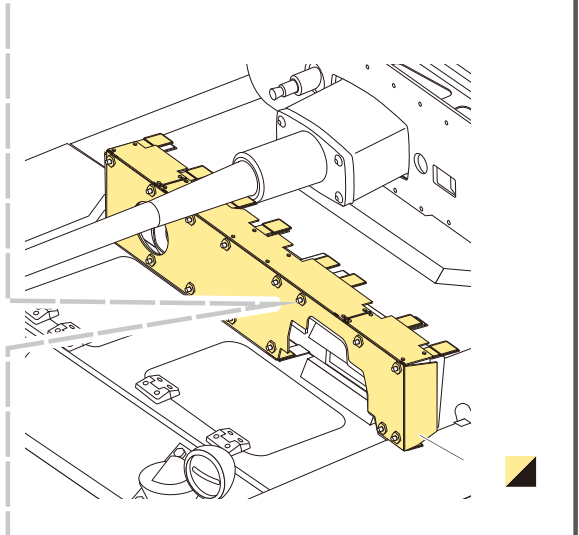
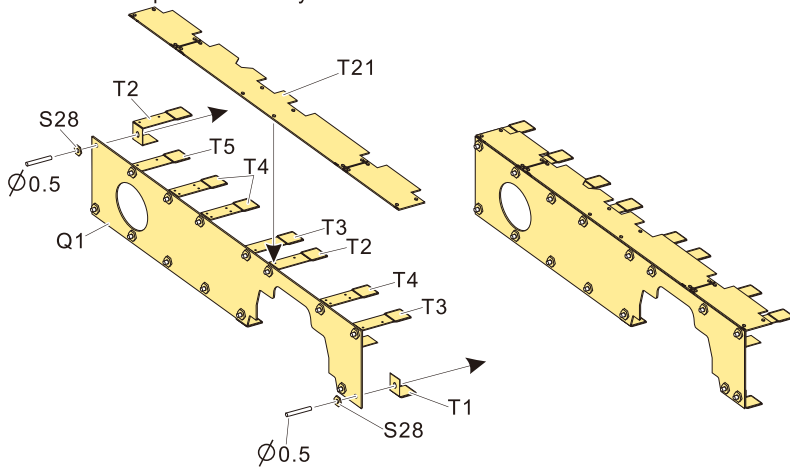
↓
用尖端在凹槽处冲压
use penpoint to press on the dent

📄
蚀刻片零件内朝面向上
Put the part upside down

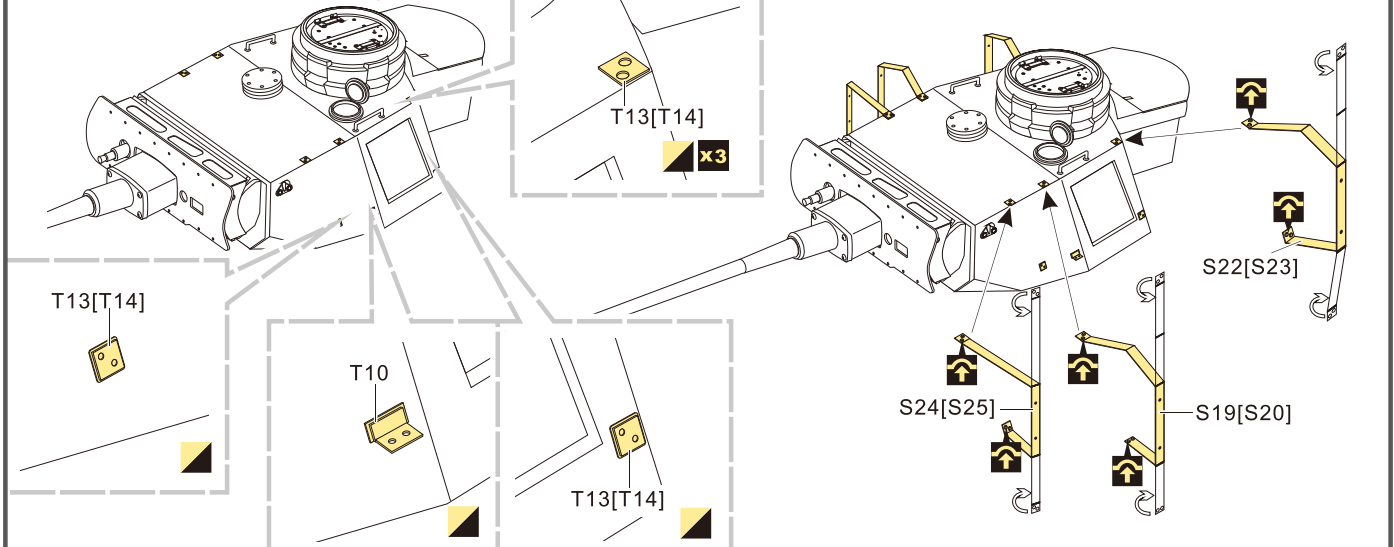
📌
用笔尖在凹槽处刺
Use penpoint to press on the dent



车体正面附加装甲制作 Front armour plate assembly

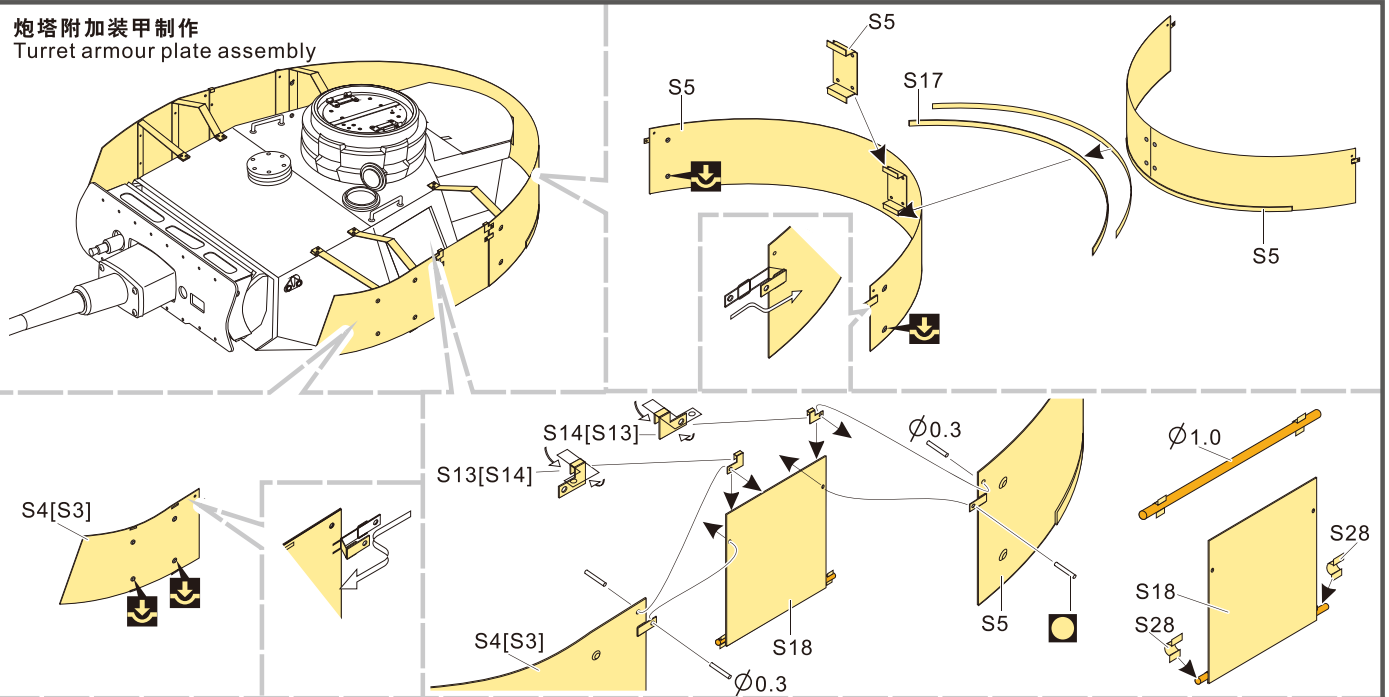


炮塔附加装甲支架制作 Turret armour plate rack assembly

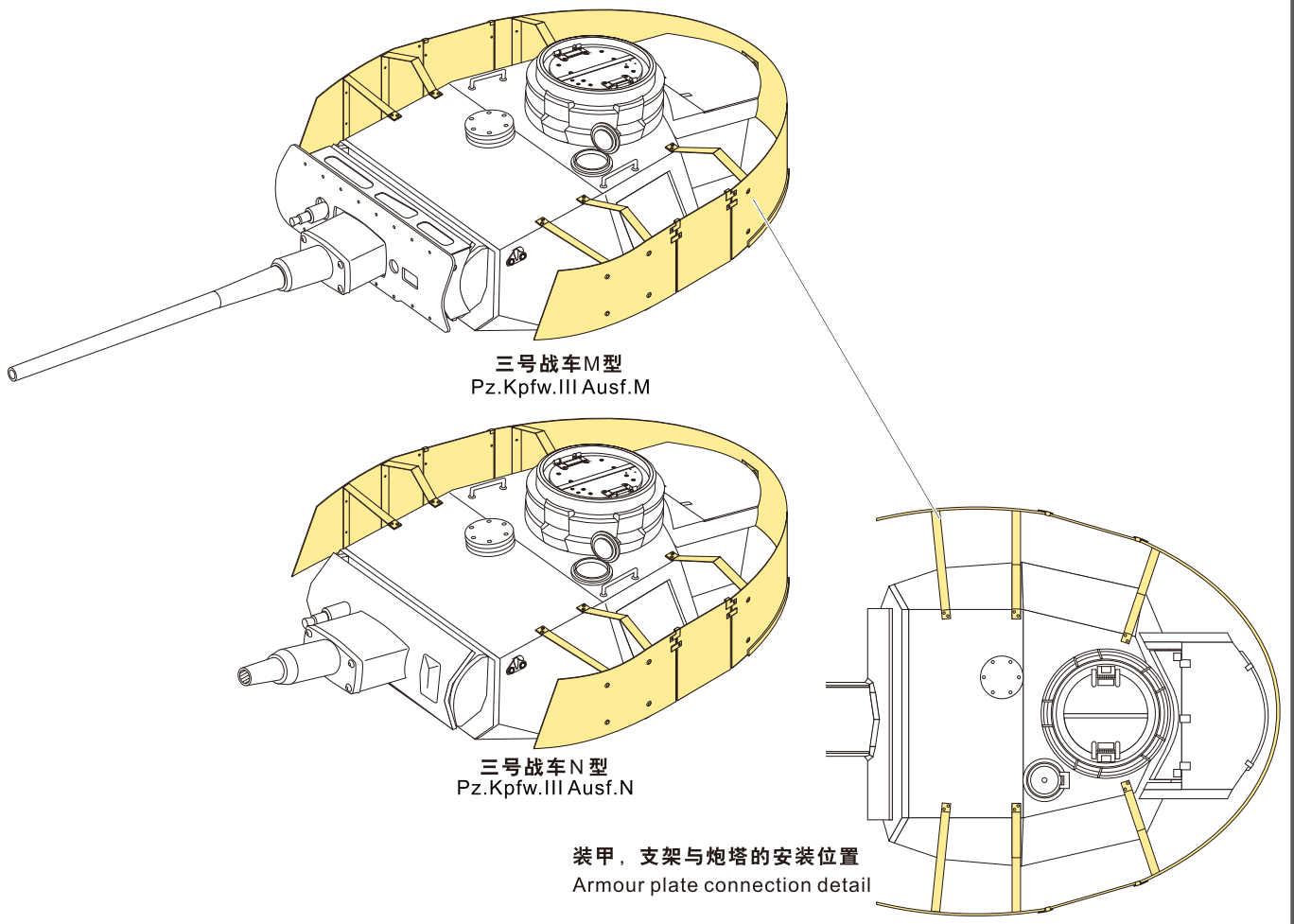


1/35 MILITARY MINIATURE VEHICLE UPGRADE SERIES PEA212

炮塔附加装甲制作
Turret armour plate assembly

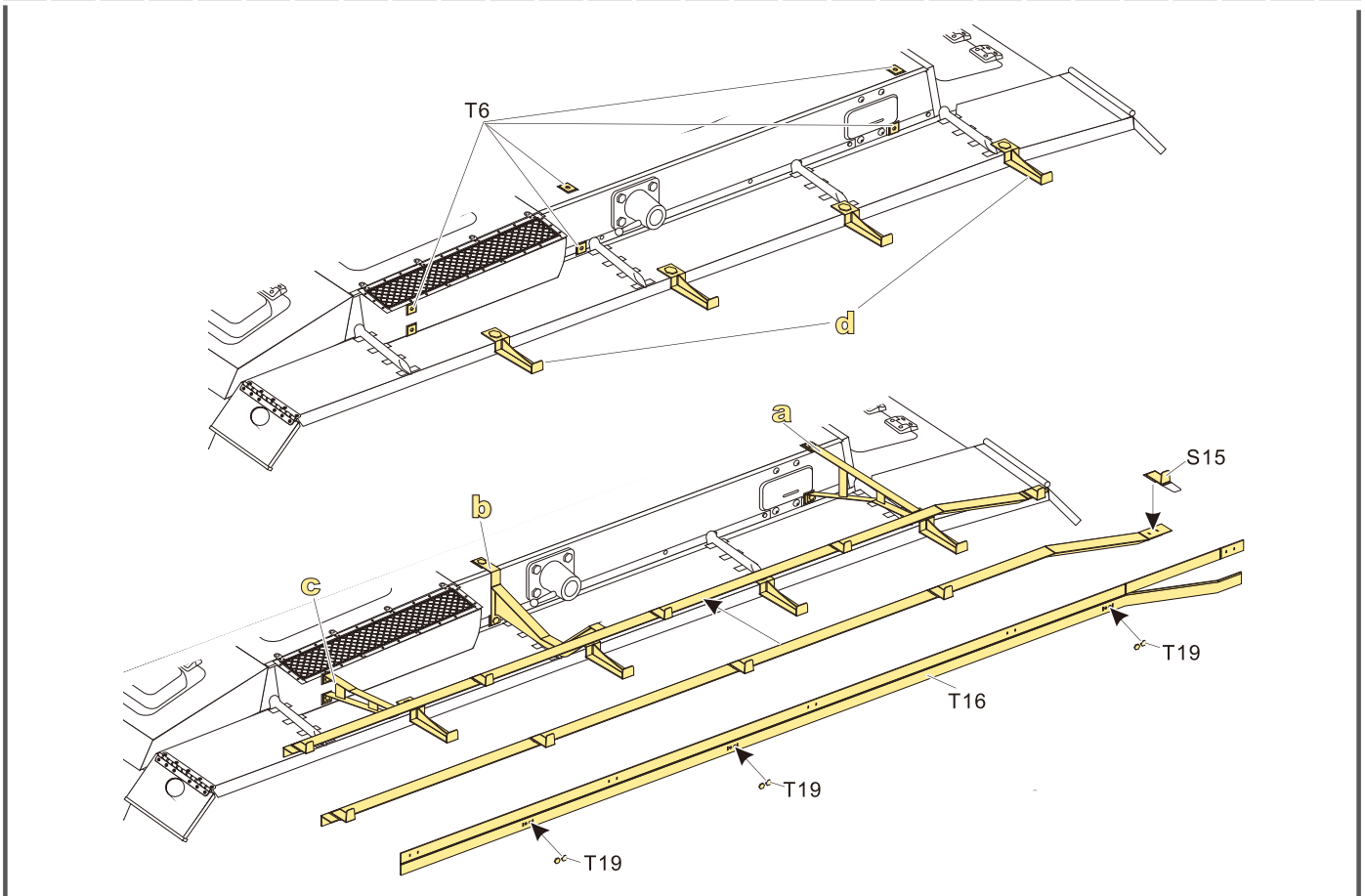
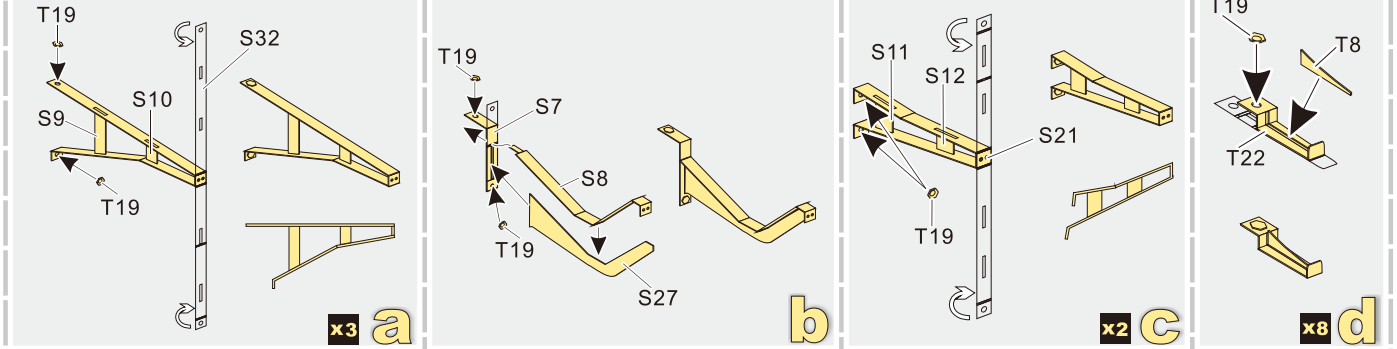


不同型号炮塔样式
Various turret layout for different types

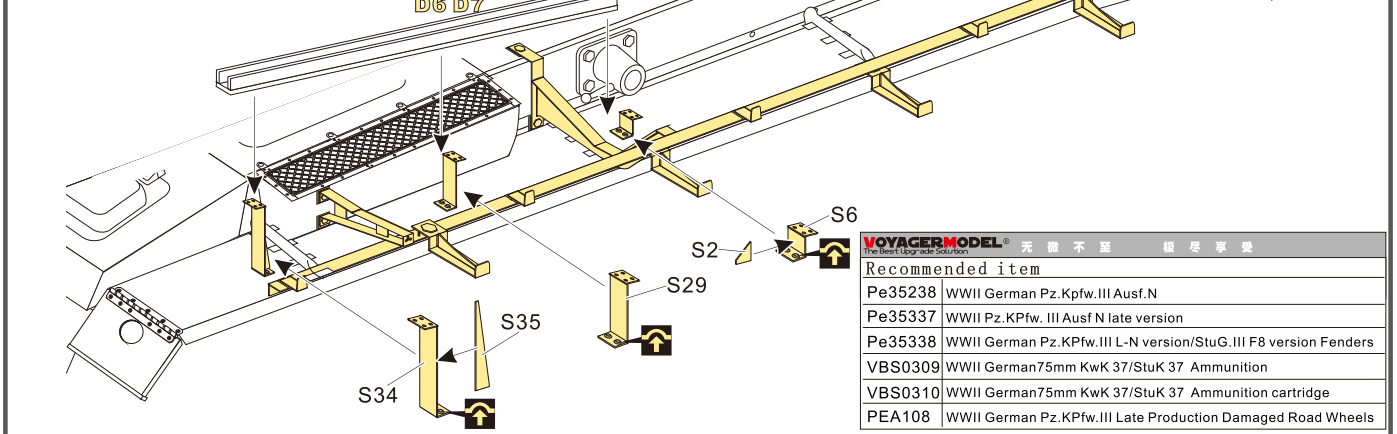


1/35 MILITARY MINIATURE VEHICLE UPGRADE SERIES PEA212

车体右侧裙板支架制作
Right side skirt rack assembly



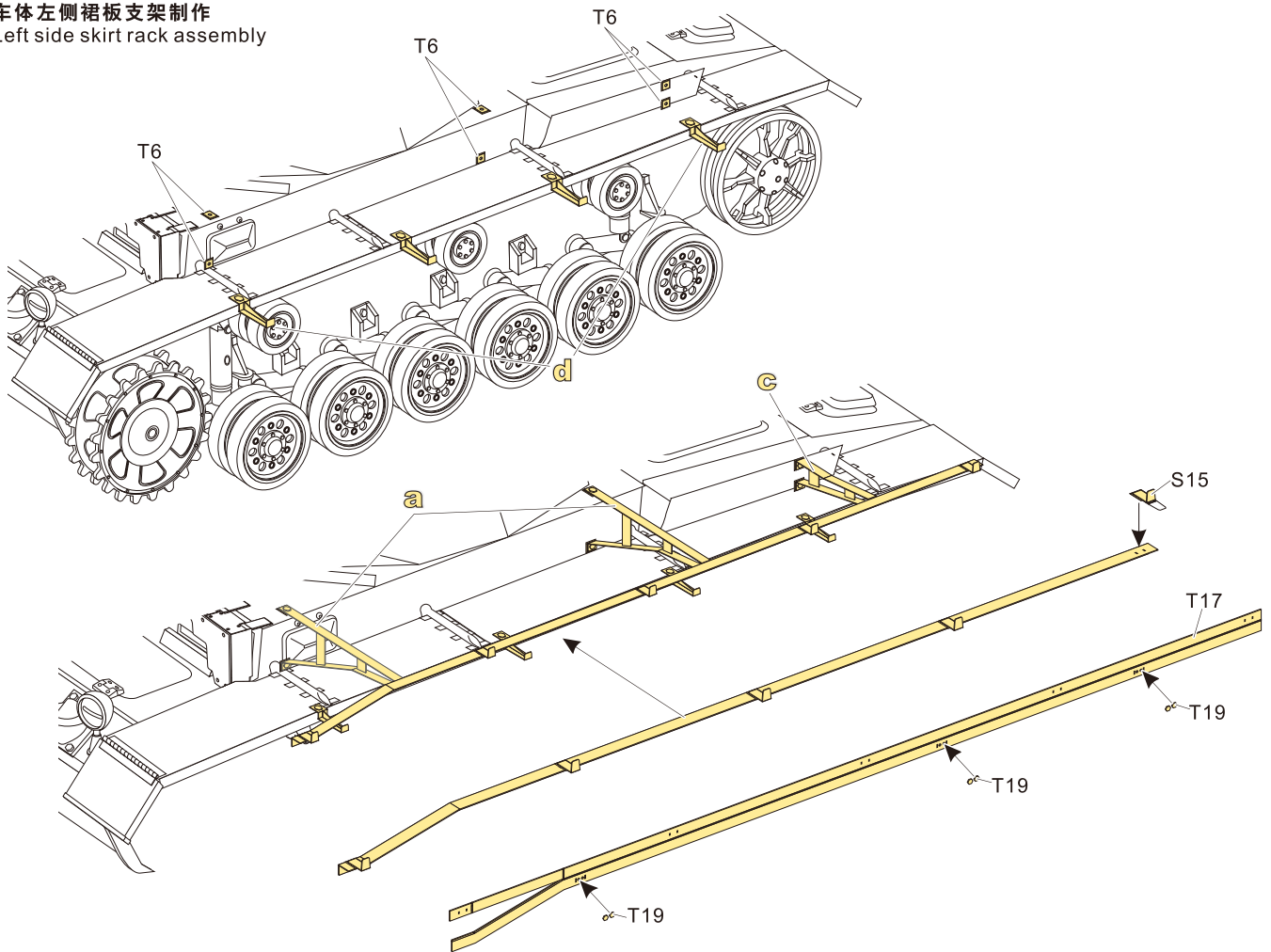
天线支架制作
Radio antenna rack assembly



VOYAGERMODEL® 无惧不至 银得享要 The Best Upgrade Solution	
Recommended item	
Pe35238	WWII German Pz.Kpfw.III Ausf.N
Pe35337	WWII Pz.KPfw. III Ausf N late version
Pe35338	WWII German Pz.KPfw.III L-N version/StuG.III F8 version Fenders
VBS0309	WWII German 75mm KwK 37/StuK 37 Ammunition
VBS0310	WWII German 75mm KwK 37/StuK 37 Ammunition cartridge
PEA108	WWII German Pz.KPfw.III Late Production Damaged Road Wheels

1/35 MILITARY MINIATURE VEHICLE UPGRADE SERIES PEA212

车体左侧裙板支架制作
Left side skirt rack assembly



车体左侧裙板制作
Left side skirt assembly

