

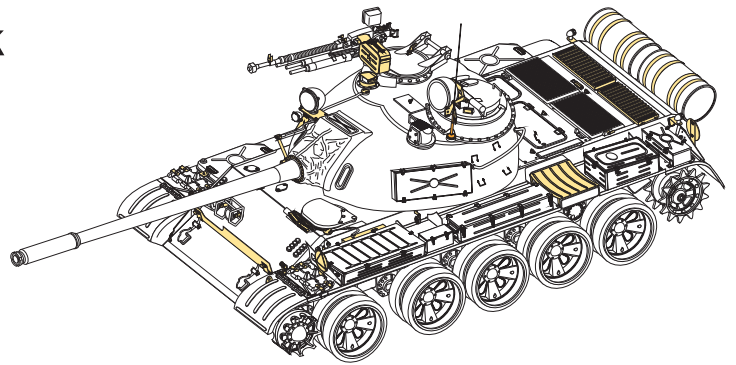
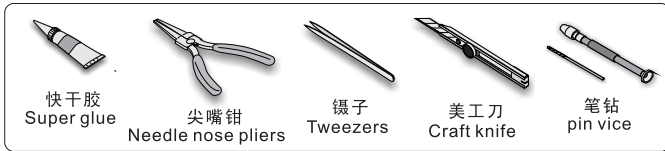
1/35 MILITARY MINIATURE VEHICLE UPGRADE SERIES PE35295

Russian T-55A Medium Tank

苏联T-55A中型坦克改造件

[For TAMIYA 35257]

推荐使用工具 RECOMMENDED TOOLS



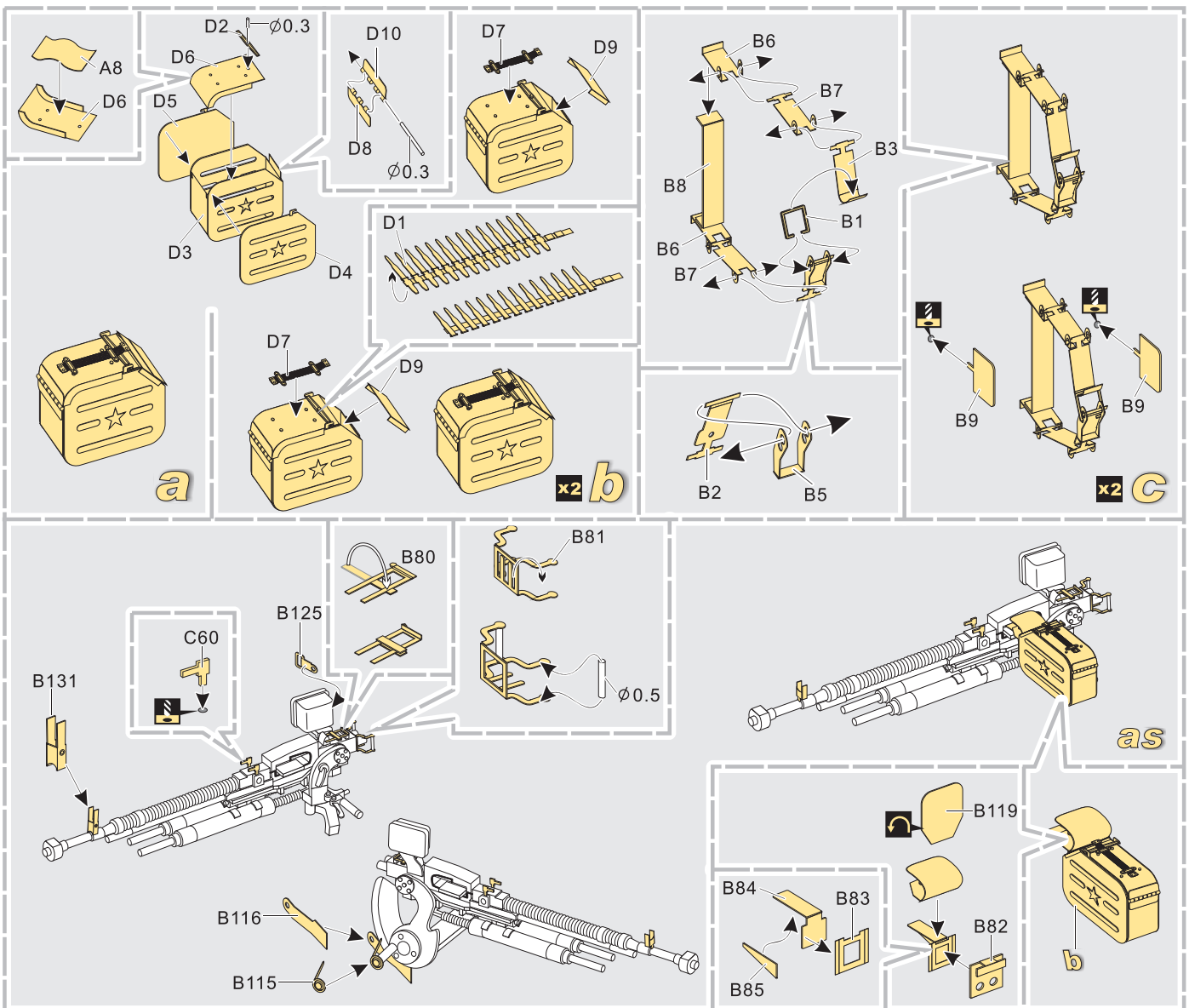
- 安装 install
- 折叠 bend
- A1** 改造件零件编号 PE/resin part number
- B12** 原零件编号 kit part number
- C22** 被替换的原零件编号 replaced kit part number
- 切除 remove
- 弧度卷曲 radial bending
- x2** 制作若干组 multiple assembly
- 选择安装 alternative
- 另一侧相同制作 repeat on opposite side

制作线圈 make coil

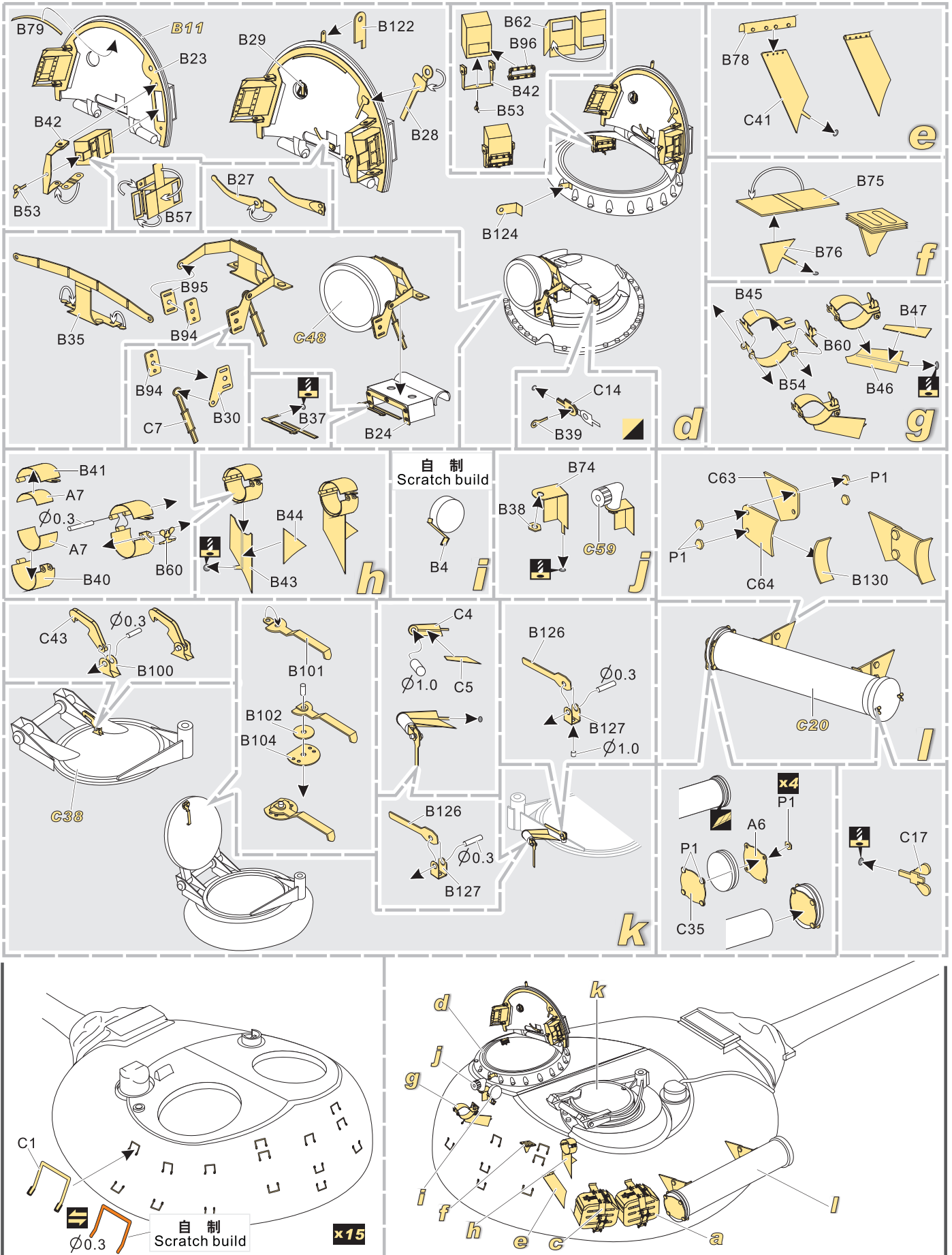
用尖端在凹槽处冲压 use penpoint to press on the dent

蚀刻片零件内侧面向上 Put the part upside down

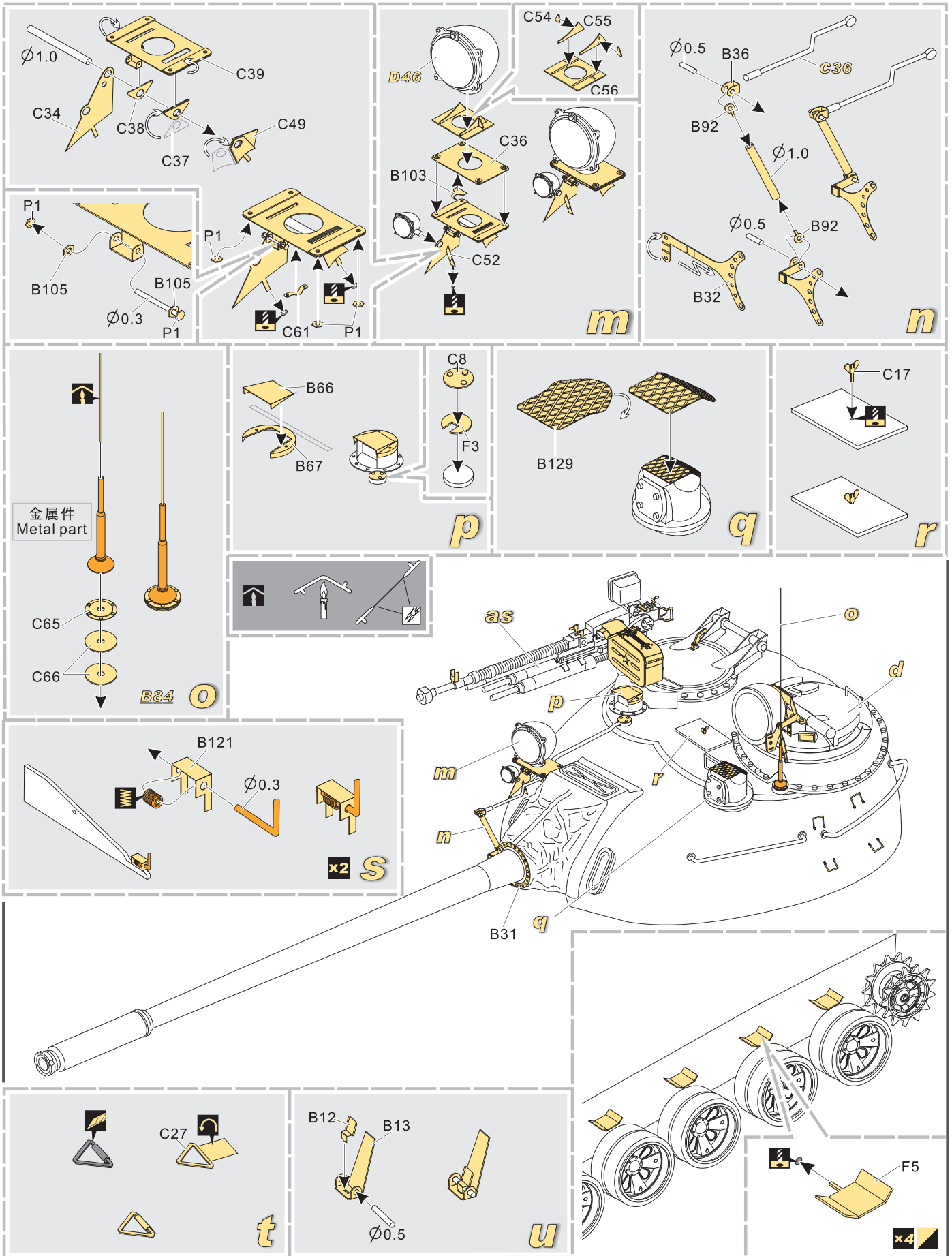
用笔尖在凹槽处 Use penpoint to press on the dent



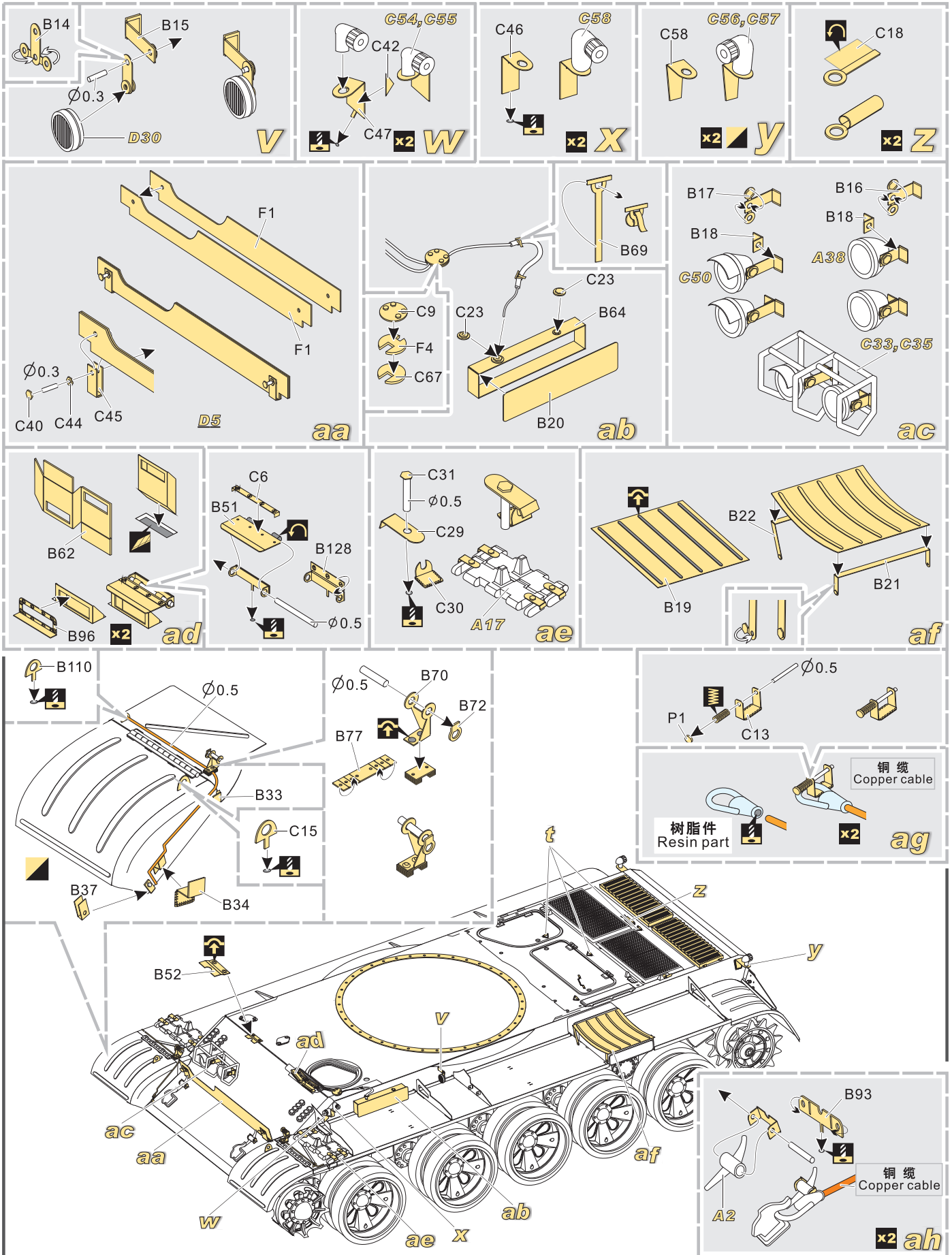
1/35 MILITARY MINIATURE VEHICLE UPGRADE SERIES PE35295



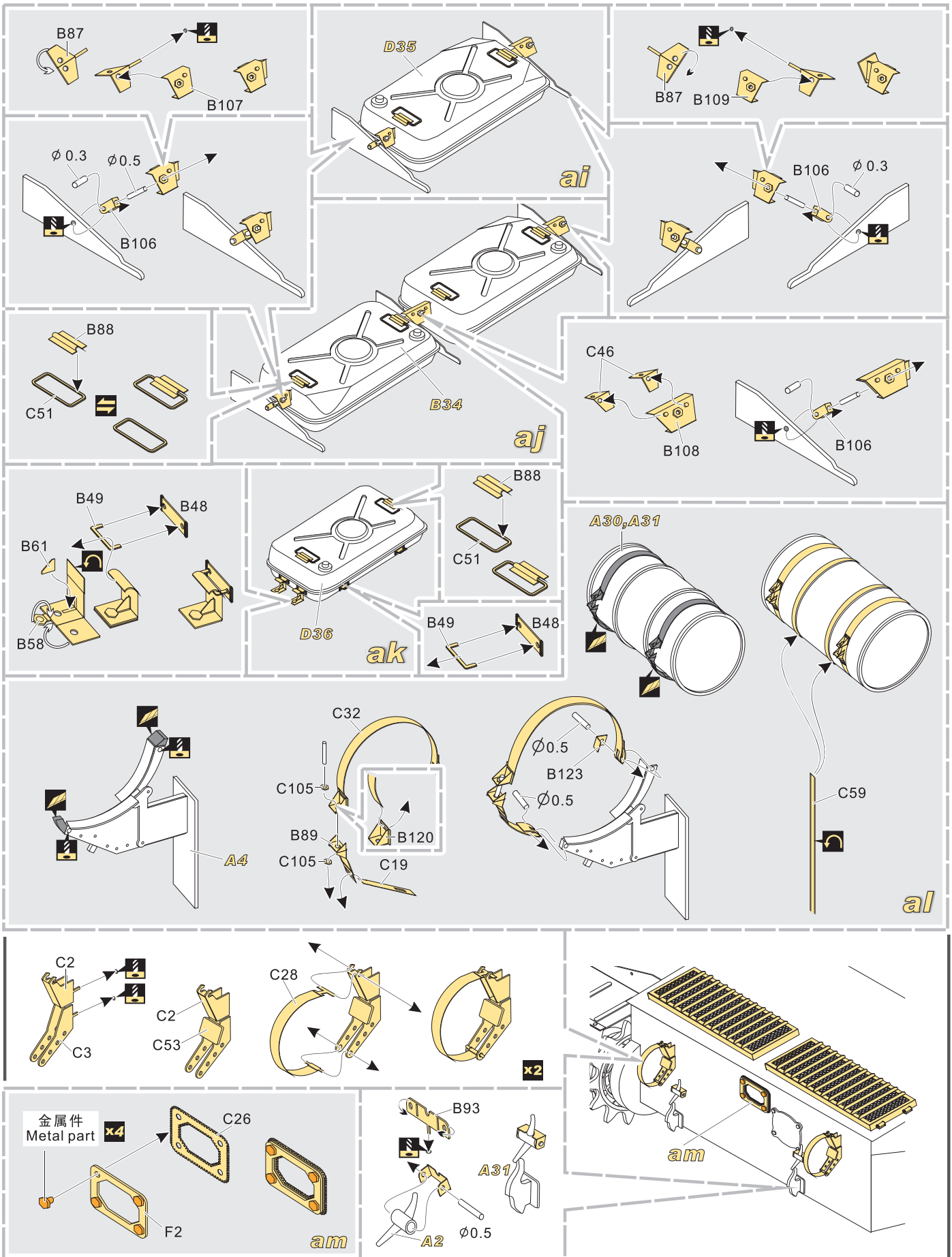
1/35 MILITARY MINIATURE VEHICLE UPGRADE SERIES PE35295



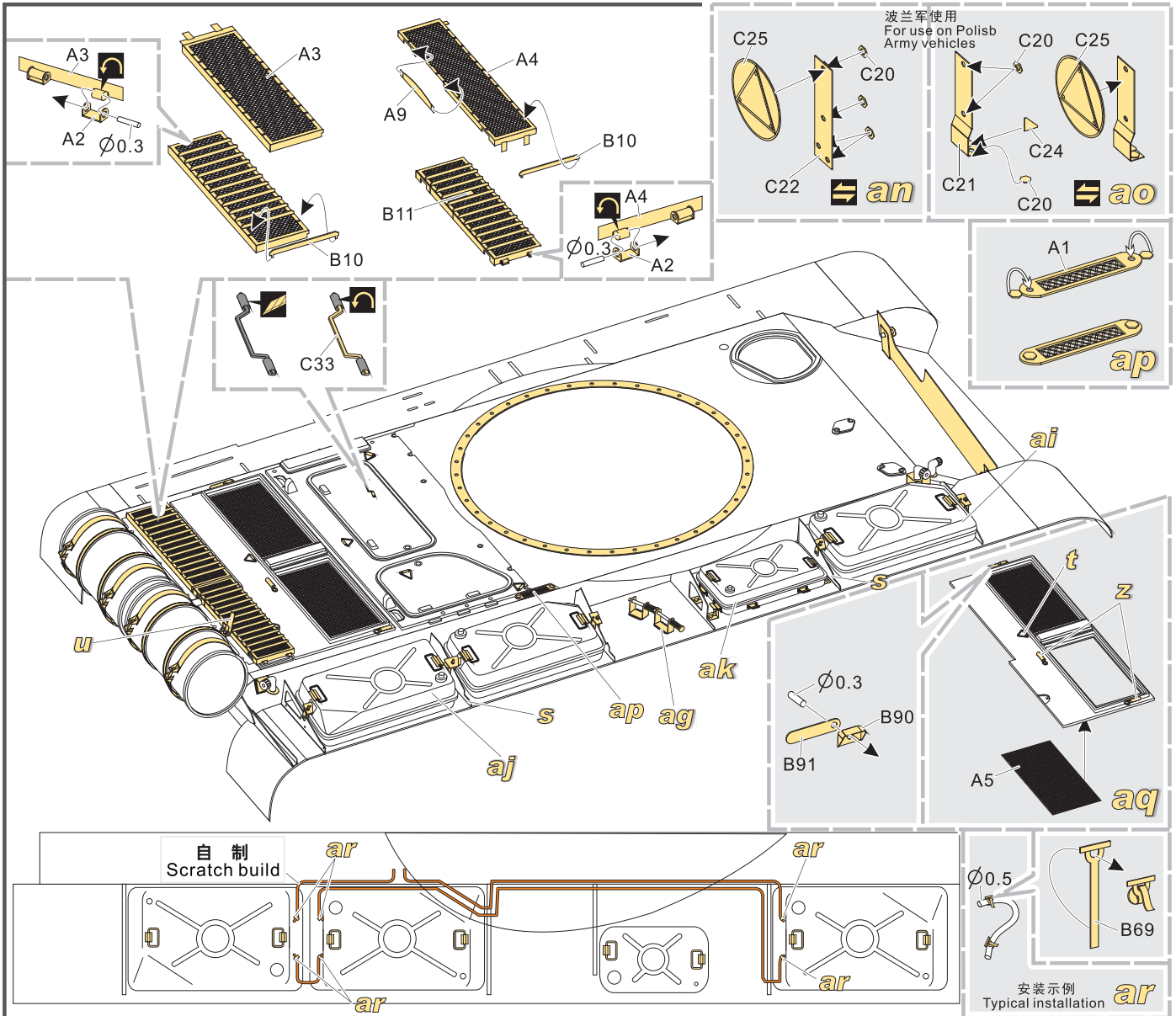
1/35 MILITARY MINIATURE VEHICLE UPGRADE SERIES PE35295



1/35 MILITARY MINIATURE VEHICLE UPGRADE SERIES PE35295



1/35 MILITARY MINIATURE VEHICLE UPGRADE SERIES PE35295



VOYAGERMODEL[®] 无微不至 精益求精

The Best Upgrade Solution

Recommended item	
Pe35296	Russian T-55A Medium Tank Fenders
PEA140	Russian T-55A Medium Tank Stowage Bins
PEA166	Russian 12.7mm DSchK Machine Gun Ammo Magazine
PEA202	Modern Russian AFV smoke discharger w/cover(16 set)
PEA205	Modern Russian AFV ERA bricks (210 PCES)
PEA210	Modern Russian AFV antenna base set1 (Quad set)
PEA211	Modern Russian AFV smoke discharger (empty 16 set)
PEA220	Modern Russian AFV ERA bricks(105 Purchase)

