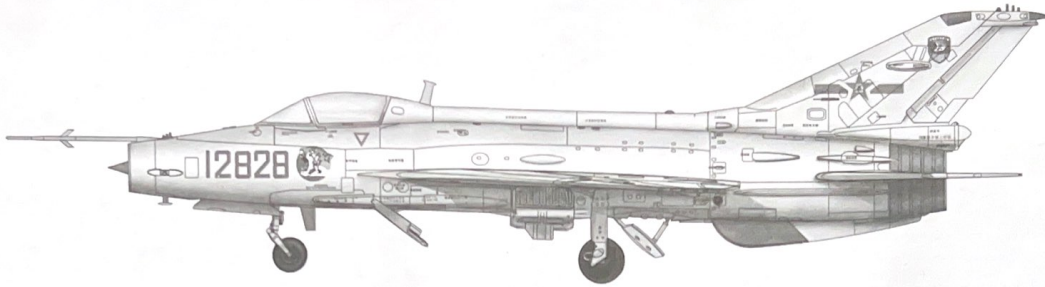


1/48 scale

ITEM NO.:02861



J-7G Fighter

歼-7G战斗机

READ BEFORE ASSEMBLY:

- This kit is not recommended for inexperienced modelers or for children under 14 years of age
- Study and understand these instructions thoroughly before beginning assembly
- When needed, remove photo-etch parts carefully using a modeling knife or photo etch sprue cutter, being careful not to damage or lose small parts.
- Take extra care in handling photo etch parts in order to avoid injury
- Apply instant cement sparingly to photo etch parts where instructed

- Tools recommended(not included in kit):Plastic and instant cements,sprue cutters,long nose pliers.,modeling knife, small files, tweezers, pin vise & scissors. Soft cloth and sandpaper will also assist in construction
- Glue and paint are not included in the kit. Use plastic cement and hobby paints only. Color guide for purchasing paint is included in the kit.
- Keep out of reach of small children. They must not be allowed to ingest small parts or handle plastic bags in any way.

装配之前仔细阅读

- 小心用模型锉刀锉平所有零件表面的注射浇口。
- 小心用刀片切下蚀刻片零件，不要遗失小零件。
- 用强力快干胶水粘合蚀刻片零件和金属轴。过量的快干胶水使用可能导致可动零件会粘住，小心涂胶。
- 取蚀刻片时应特别注意安全，防止利边划伤手指。
- 某些零件表面需贴水贴纸，请选择在装配的同时进行。
- 推荐模型工具(自备)：胶水，水口剪刀，长咀钳，刀片，锉刀，镊子钳，钻，剪刀，瞬间快干胶。
- 软布同砂纸同时也应该是必备工具。
- 请使用塑料胶水和油漆，模型内不含。
- 谨防小孩吸吮塑料零件，或者将塑料袋套在头上，制作时应将套材远离小孩接触。
- 本产品不适合14岁以下没有经验的模型爱好者。

水贴纸的使用:

1. 从水贴纸上剪下印花;
2. 将印花放入温水中浸10秒，然后放在干净布上。
3. 拿着印花纸板将印花移到模型上;
4. 手指蘸水将印花移到适当的位置;
5. 用软布轻压印花直至水干，气泡消失。

DECAL APPLICATION:

1. Cut decals from sheet as needed
2. Dip the decal in warm water for about 10 seconds and then place on soft clean cloth.
3. Hold the decal backing sheet edge and gently slide the decal onto the model in its proper position.

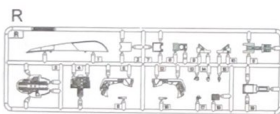
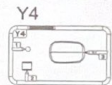
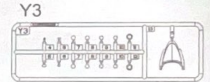
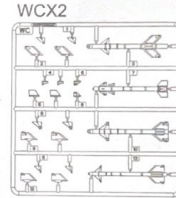
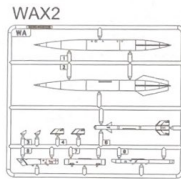
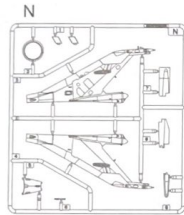
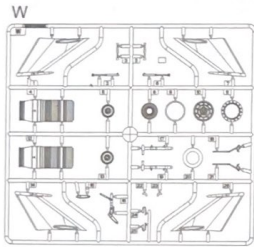
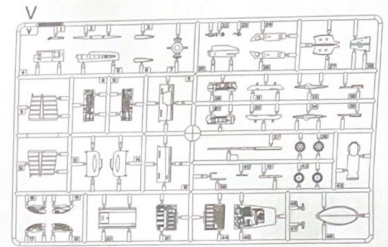
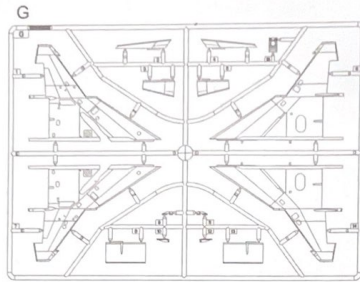
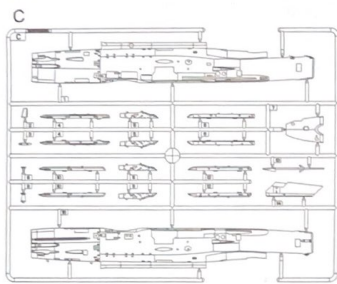
4. While still wet, decal can be adjusted for better fit on model by dampening it gently with your finger.
5. When placed in the proper position, gently press decal down with a soft cloth until excess water and air bubbles are gone.
6. Allow decal to dry completely before handling model



02861

1

部品图
Parts



<<主轮胎>>X2
Main tyre



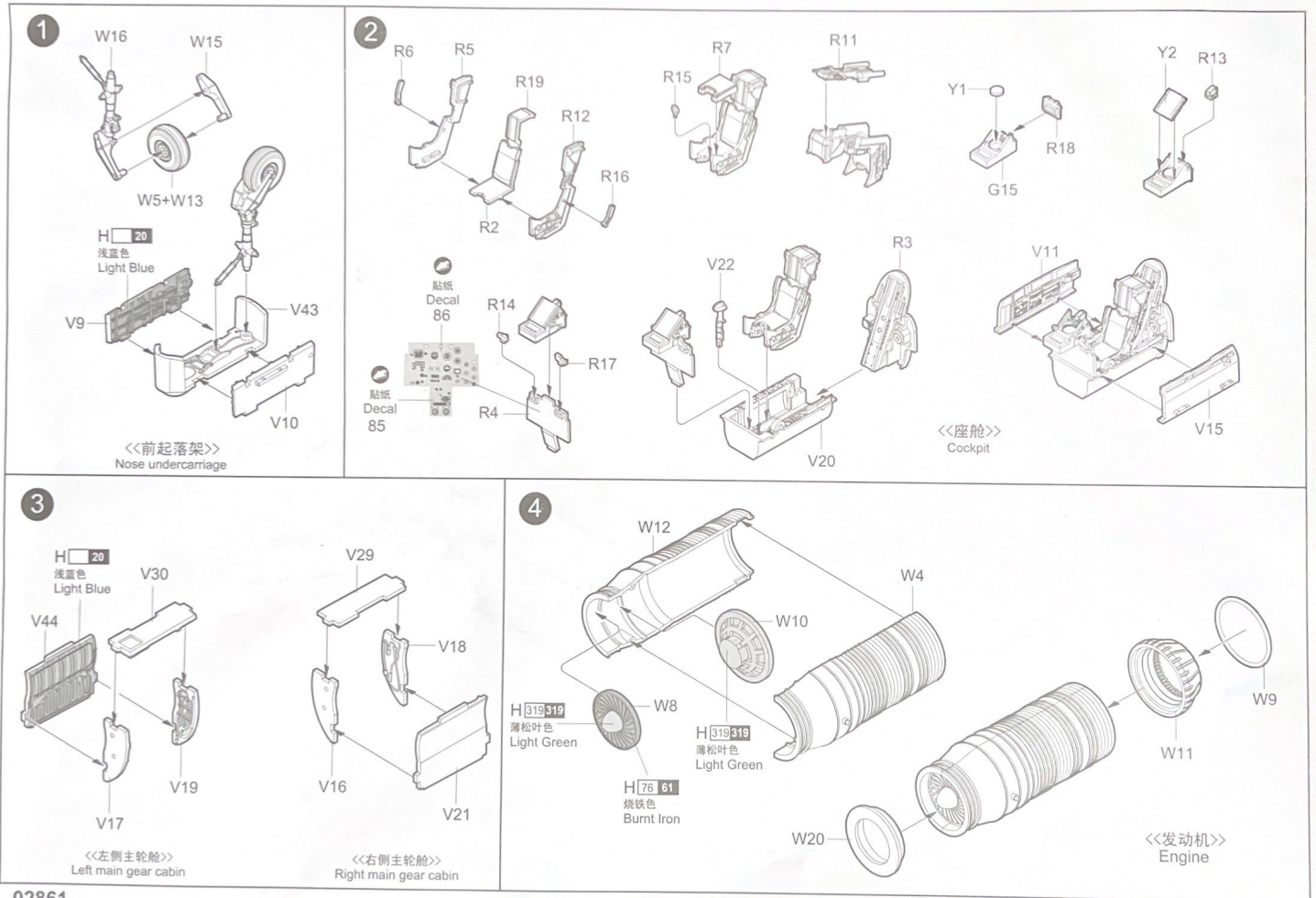
蚀刻片(PE)



<<水贴纸>>
Decal

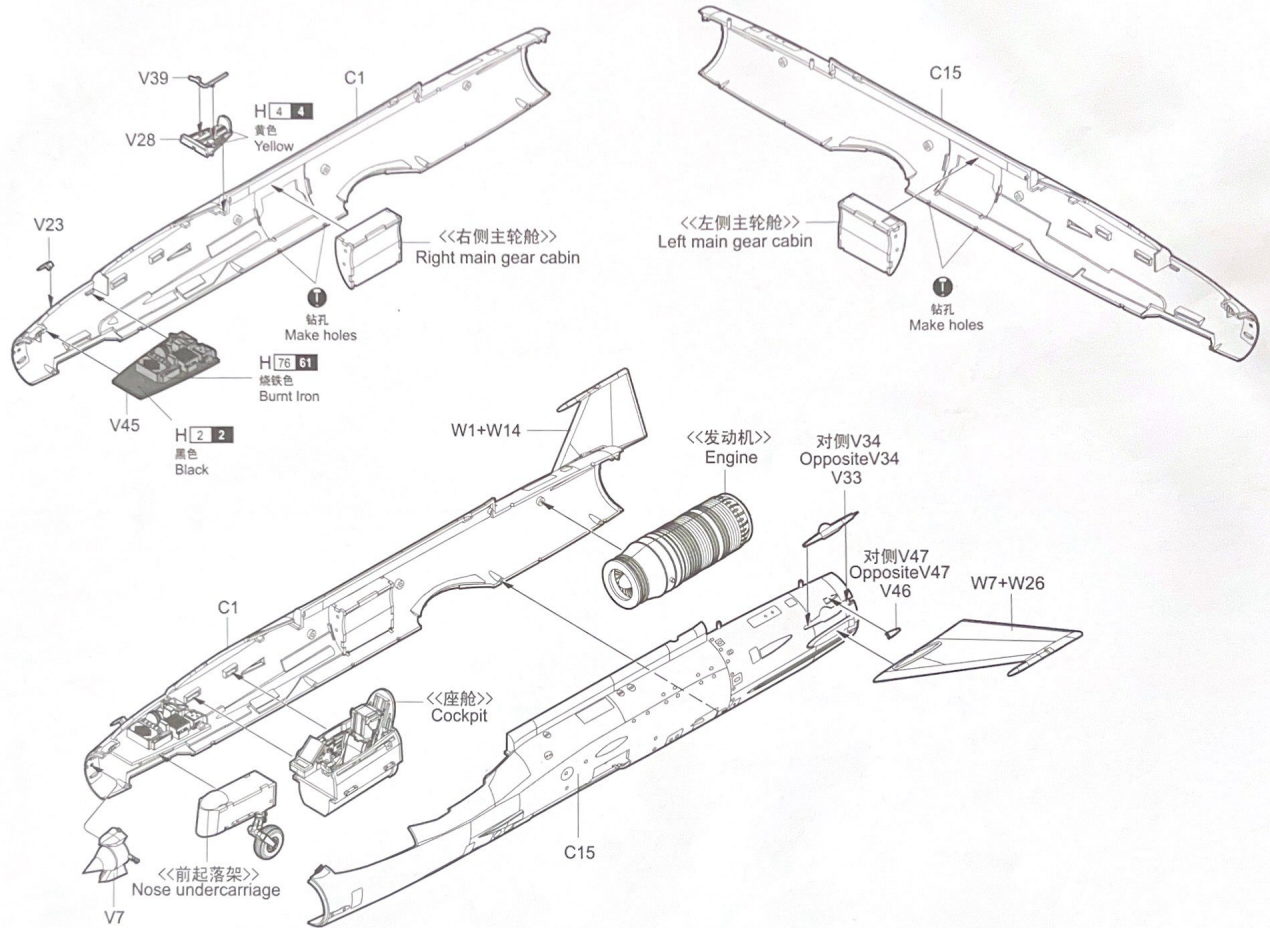


不用部品:R8 R9 R10 WA7 PE3 PE4
Unused Parts

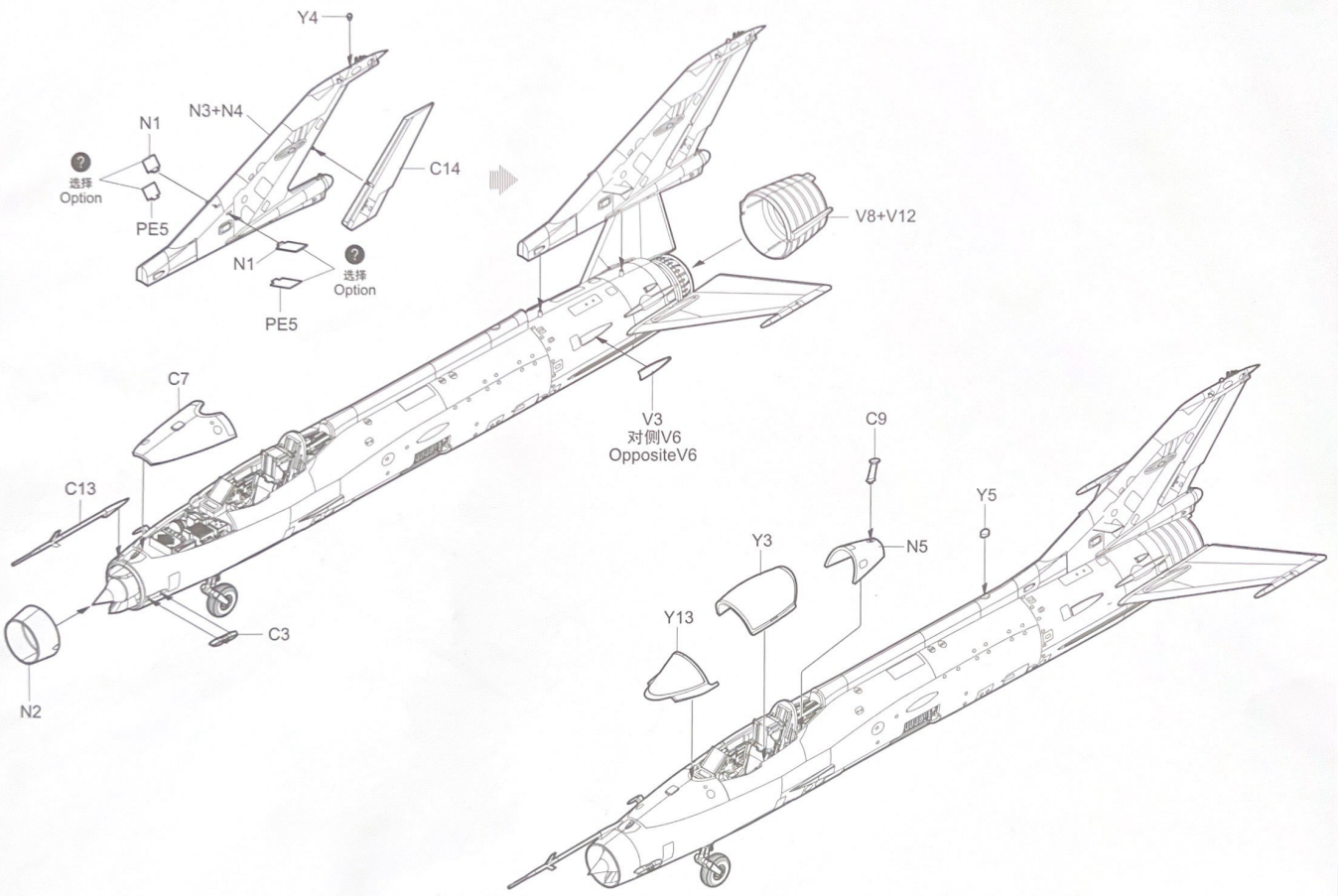


02861

5



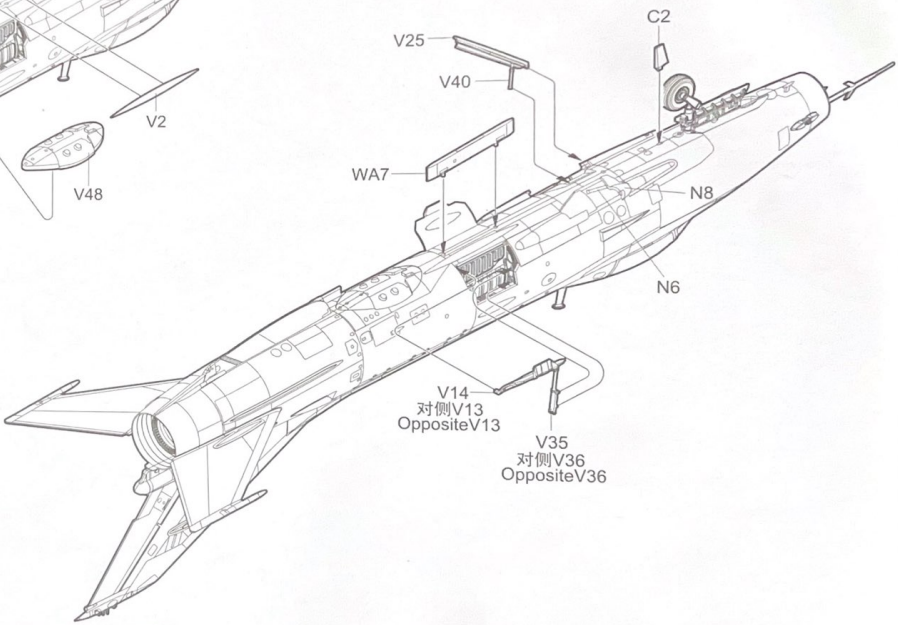
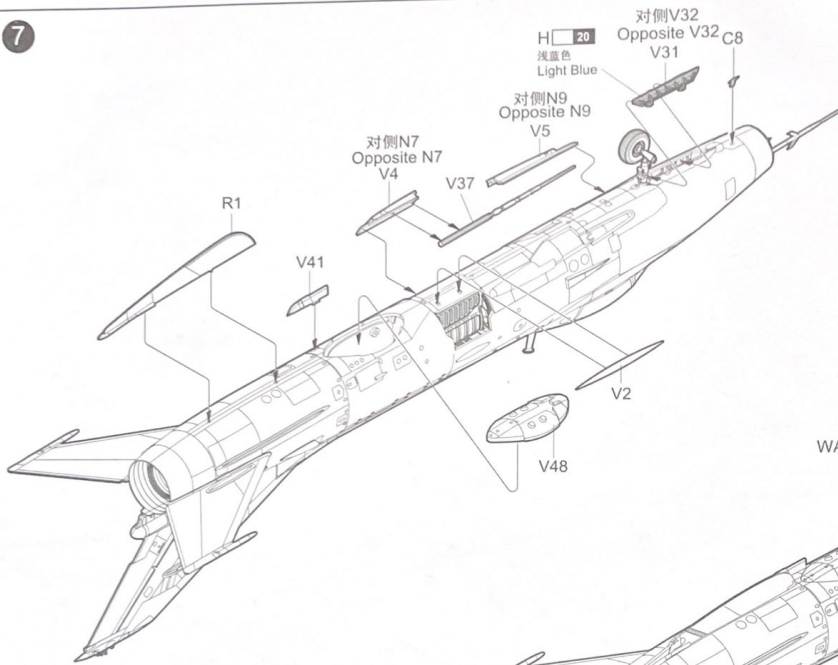
6



02861

5

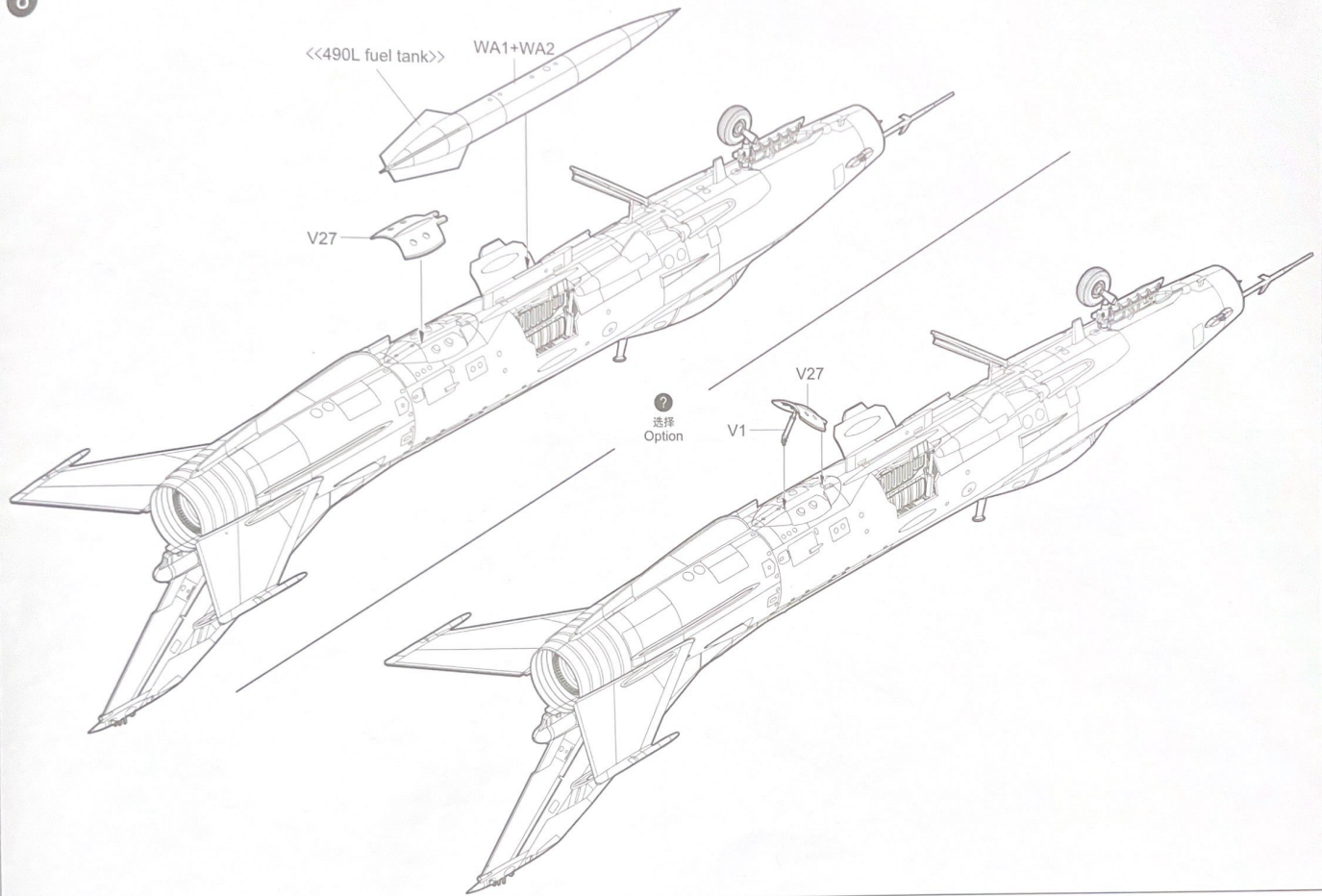
7



02861

6

8

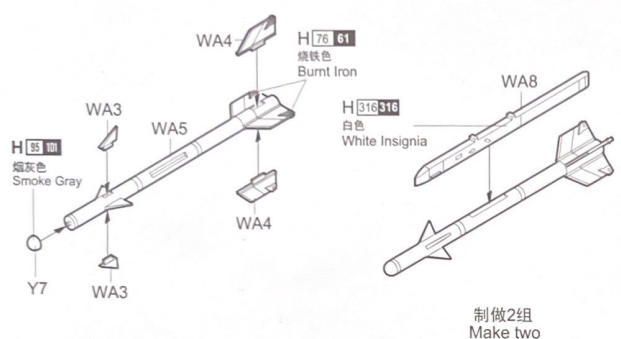


02861

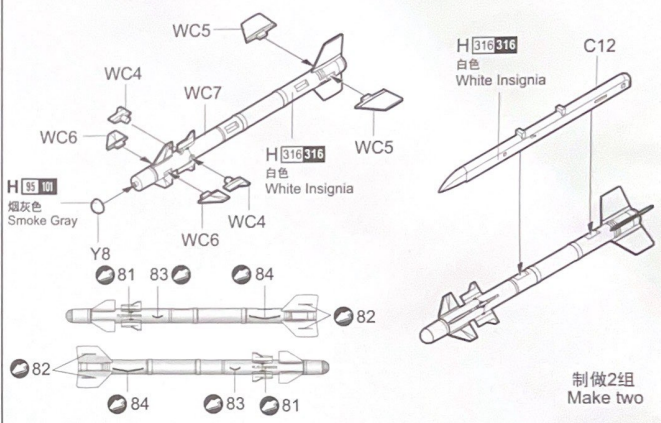
7

9

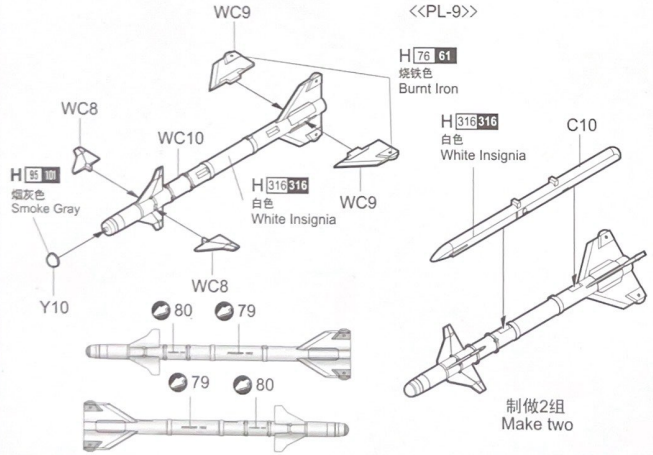
<<R-3S-MISSILES>>



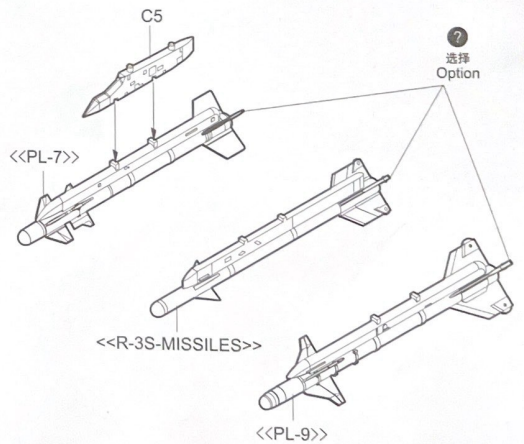
<<PL-7>>

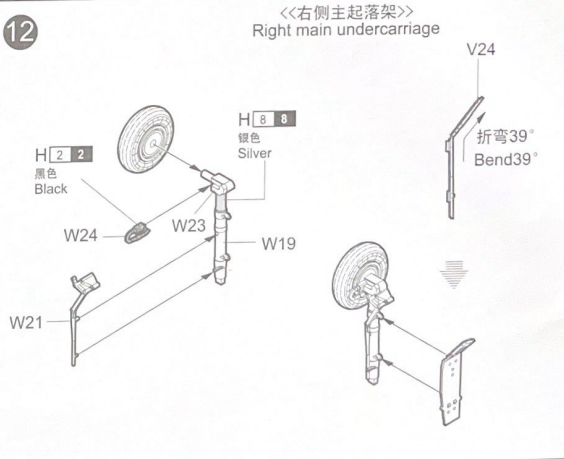
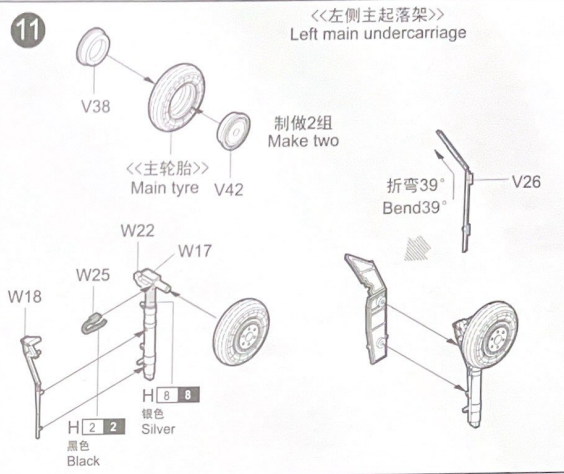
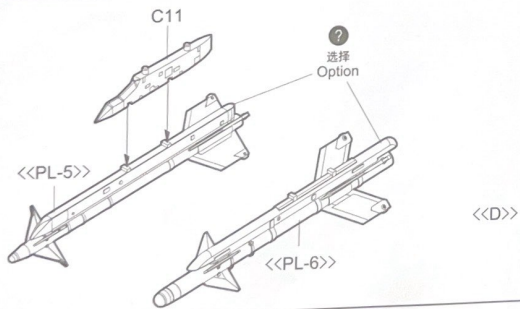
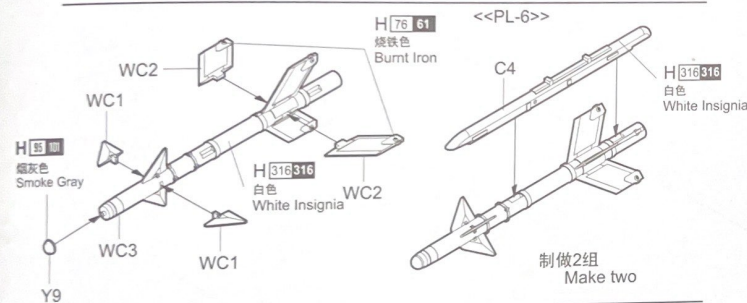
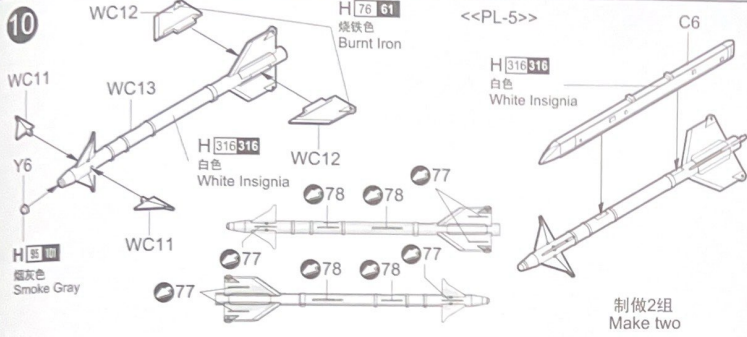


<<PL-9>>



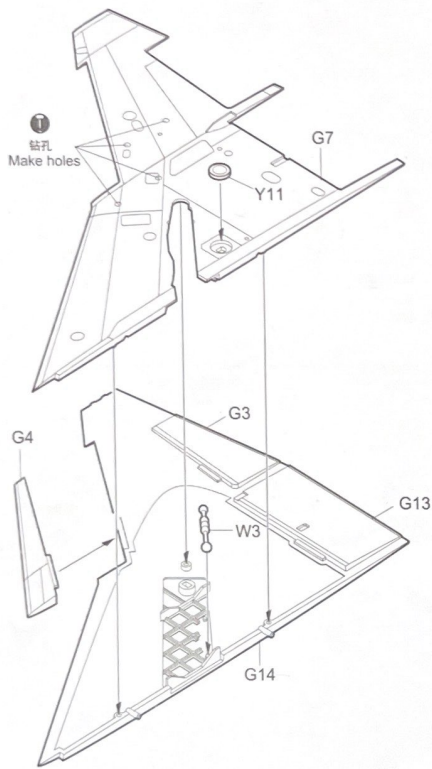
<<C>>



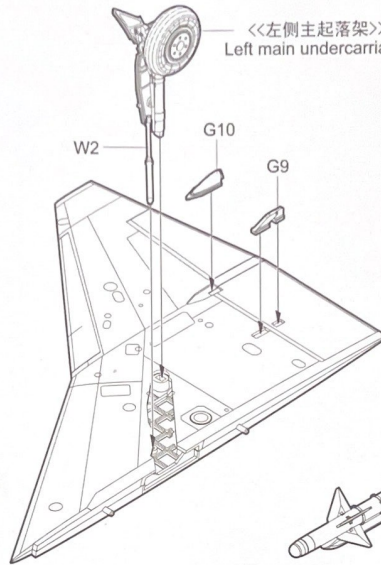


13

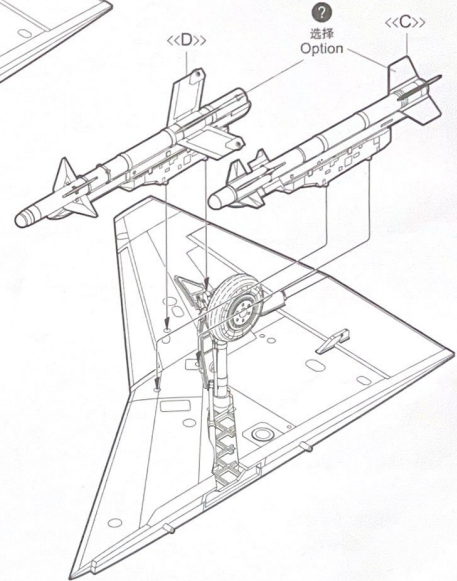
<<左侧机翼>>
Left wing



<<左侧主起落架>>
Left main undercarriage

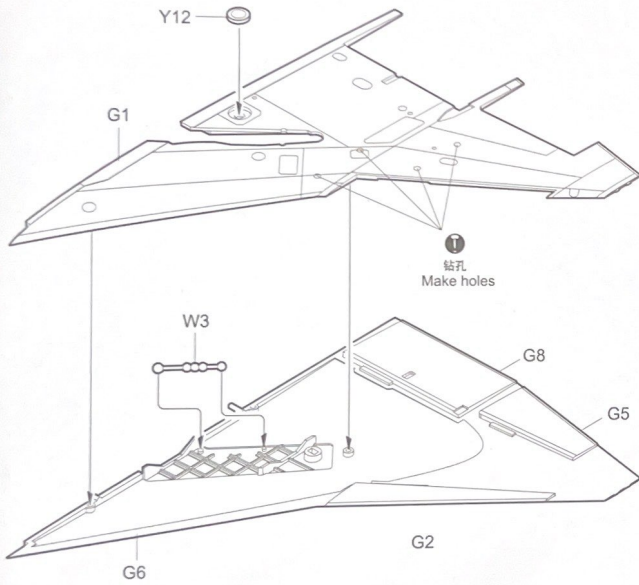


②
选择
Option

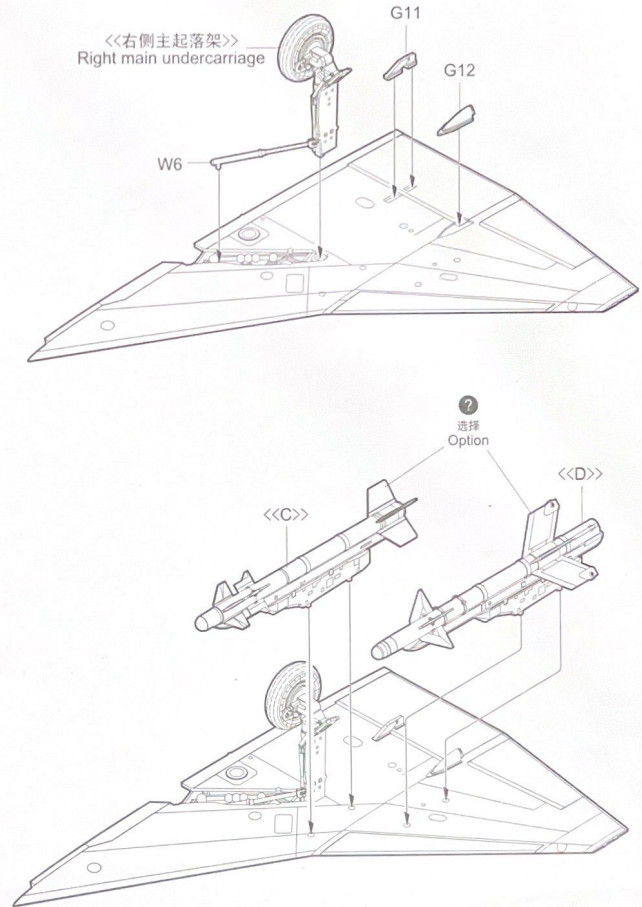


14

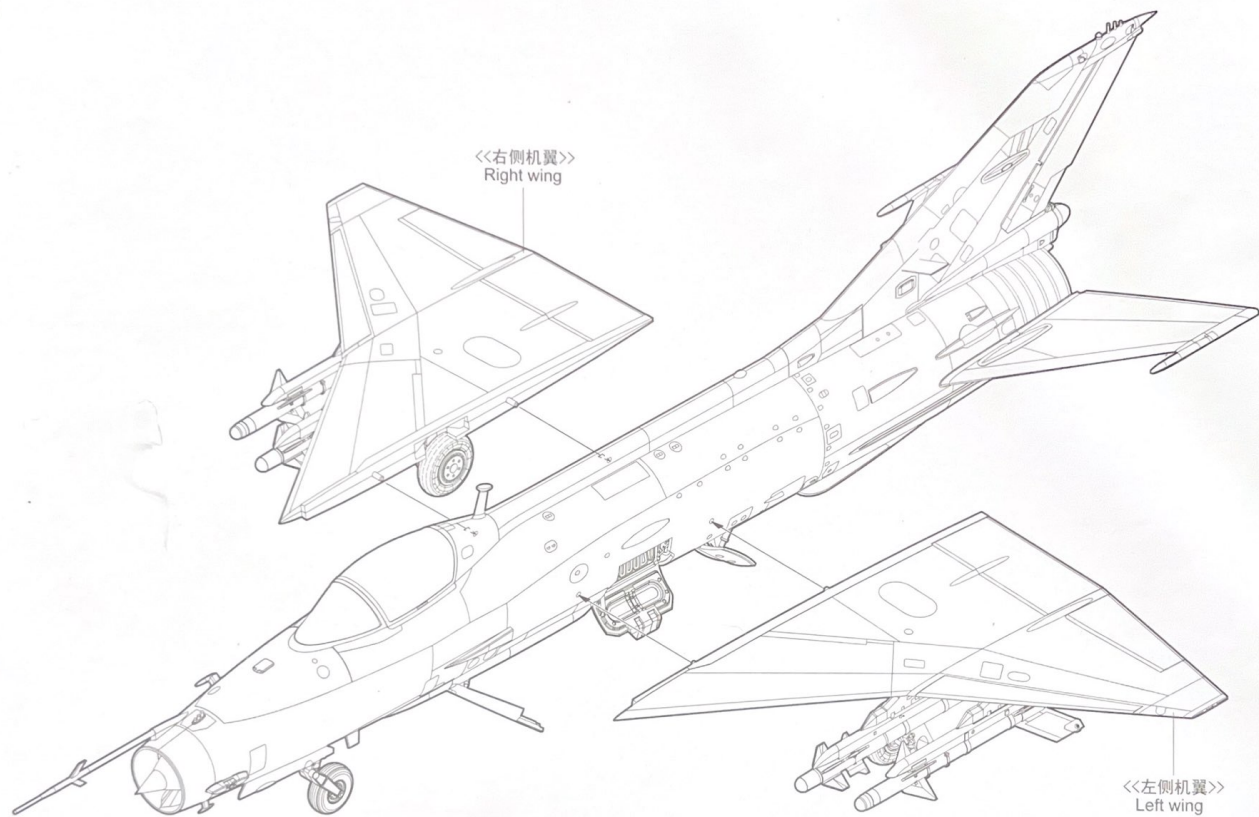
<<右侧机翼>>
Right wing



<<右侧主起落架>>
Right main undercarriage



15



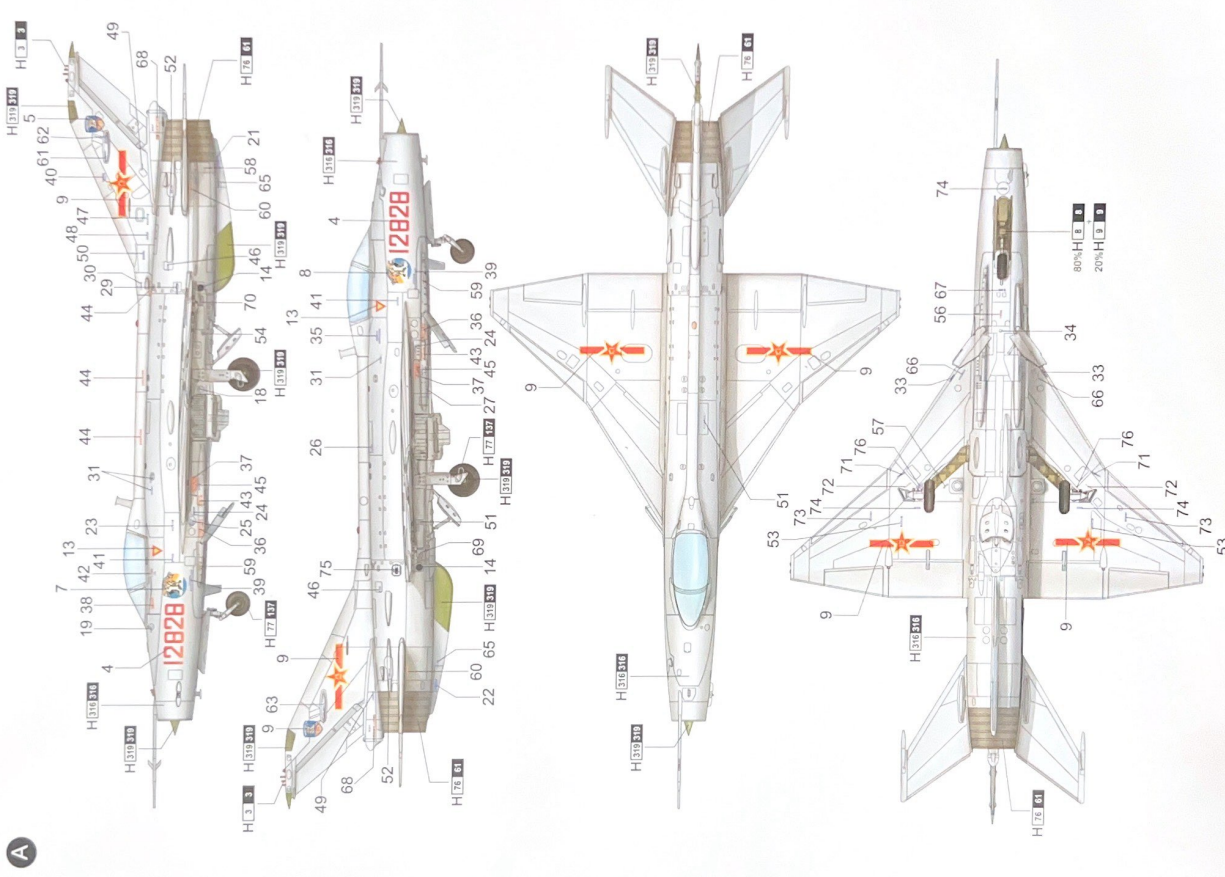
02861

12

涂装同标贴指示 Painting & Marking guide

PAINTS REFERENCE COLOUR

Color	Mr Hobby	Tamiya	Master	Scale	Mr Hobby	Mr Hobby	Mr Hobby	Mr Hobby	Mr Hobby	Mr Hobby	Mr Hobby
Code	Code	Code	Code	Code	Code	Code	Code	Code	Code	Code	Code
H100	100	100	100	100	H100	H100	H100	H100	H100	H100	H100
H101	101	101	101	101	H101	H101	H101	H101	H101	H101	H101
H102	102	102	102	102	H102	H102	H102	H102	H102	H102	H102
H103	103	103	103	103	H103	H103	H103	H103	H103	H103	H103
H104	104	104	104	104	H104	H104	H104	H104	H104	H104	H104
H105	105	105	105	105	H105	H105	H105	H105	H105	H105	H105
H106	106	106	106	106	H106	H106	H106	H106	H106	H106	H106
H107	107	107	107	107	H107	H107	H107	H107	H107	H107	H107
H108	108	108	108	108	H108	H108	H108	H108	H108	H108	H108
H109	109	109	109	109	H109	H109	H109	H109	H109	H109	H109
H110	110	110	110	110	H110	H110	H110	H110	H110	H110	H110
H111	111	111	111	111	H111	H111	H111	H111	H111	H111	H111
H112	112	112	112	112	H112	H112	H112	H112	H112	H112	H112
H113	113	113	113	113	H113	H113	H113	H113	H113	H113	H113
H114	114	114	114	114	H114	H114	H114	H114	H114	H114	H114
H115	115	115	115	115	H115	H115	H115	H115	H115	H115	H115
H116	116	116	116	116	H116	H116	H116	H116	H116	H116	H116
H117	117	117	117	117	H117	H117	H117	H117	H117	H117	H117
H118	118	118	118	118	H118	H118	H118	H118	H118	H118	H118
H119	119	119	119	119	H119	H119	H119	H119	H119	H119	H119
H120	120	120	120	120	H120	H120	H120	H120	H120	H120	H120
H121	121	121	121	121	H121	H121	H121	H121	H121	H121	H121
H122	122	122	122	122	H122	H122	H122	H122	H122	H122	H122
H123	123	123	123	123	H123	H123	H123	H123	H123	H123	H123
H124	124	124	124	124	H124	H124	H124	H124	H124	H124	H124
H125	125	125	125	125	H125	H125	H125	H125	H125	H125	H125
H126	126	126	126	126	H126	H126	H126	H126	H126	H126	H126
H127	127	127	127	127	H127	H127	H127	H127	H127	H127	H127
H128	128	128	128	128	H128	H128	H128	H128	H128	H128	H128
H129	129	129	129	129	H129	H129	H129	H129	H129	H129	H129
H130	130	130	130	130	H130	H130	H130	H130	H130	H130	H130
H131	131	131	131	131	H131	H131	H131	H131	H131	H131	H131
H132	132	132	132	132	H132	H132	H132	H132	H132	H132	H132
H133	133	133	133	133	H133	H133	H133	H133	H133	H133	H133
H134	134	134	134	134	H134	H134	H134	H134	H134	H134	H134
H135	135	135	135	135	H135	H135	H135	H135	H135	H135	H135
H136	136	136	136	136	H136	H136	H136	H136	H136	H136	H136
H137	137	137	137	137	H137	H137	H137	H137	H137	H137	H137
H138	138	138	138	138	H138	H138	H138	H138	H138	H138	H138
H139	139	139	139	139	H139	H139	H139	H139	H139	H139	H139
H140	140	140	140	140	H140	H140	H140	H140	H140	H140	H140
H141	141	141	141	141	H141	H141	H141	H141	H141	H141	H141
H142	142	142	142	142	H142	H142	H142	H142	H142	H142	H142
H143	143	143	143	143	H143	H143	H143	H143	H143	H143	H143
H144	144	144	144	144	H144	H144	H144	H144	H144	H144	H144
H145	145	145	145	145	H145	H145	H145	H145	H145	H145	H145
H146	146	146	146	146	H146	H146	H146	H146	H146	H146	H146
H147	147	147	147	147	H147	H147	H147	H147	H147	H147	H147
H148	148	148	148	148	H148	H148	H148	H148	H148	H148	H148
H149	149	149	149	149	H149	H149	H149	H149	H149	H149	H149
H150	150	150	150	150	H150	H150	H150	H150	H150	H150	H150



涂装同标贴指示 Painting & Marking guide

PAINT REFERENCE COLOUR									
Color	Mr Hobby	Model	Tamiya	Humbrol	Gunze	Mr Hobby	Model	Tamiya	Mr Color
White	H100	WS01	TS-1	HW-1	W01	H100	WS01	TS-1	MC-1
Black	H80	WS02	TS-2	HW-2	B01	H80	WS02	TS-2	MC-2
Red	H60	WS03	TS-3	HW-3	R01	H60	WS03	TS-3	MC-3
Yellow	H50	WS04	TS-4	HW-4	Y01	H50	WS04	TS-4	MC-4
Blue	H40	WS05	TS-5	HW-5	B02	H40	WS05	TS-5	MC-5
Green	H30	WS06	TS-6	HW-6	G01	H30	WS06	TS-6	MC-6
Brown	H20	WS07	TS-7	HW-7	BR01	H20	WS07	TS-7	MC-7
Orange	H10	WS08	TS-8	HW-8	O01	H10	WS08	TS-8	MC-8
Purple	H90	WS09	TS-9	HW-9	P01	H90	WS09	TS-9	MC-9
Pink	H85	WS10	TS-10	HW-10	P02	H85	WS10	TS-10	MC-10
Grey	H70	WS11	TS-11	HW-11	GR01	H70	WS11	TS-11	MC-11
Light Grey	H65	WS12	TS-12	HW-12	GR02	H65	WS12	TS-12	MC-12

