

1/48 scale

ITEM NO.:02892



F-106B Delta Dart

美国F-106B “三角标枪”截击机

READ BEFORE ASSEMBLY:

- Study and understand these instructions thoroughly before beginning assembly
- When needed, remove photo-etch parts carefully using a modeling knife or photo etch sprue cutter, being careful not to damage or lose small parts.
- Take extra care in handling photo etch parts in order to avoid injury
- Apply instant cement sparingly to photo etch parts where instructed
- Tools recommended(not included in kit):Plastic and instant cements,sprue cutters,long nose pliers,modeling knife, small files, tweezers, pin vise & scissors. Soft cloth and sandpaper will also assist in construction
- Glue and paint are not included in the kit. Use plastic cement and hobby paints only. Color guide for purchasing paint is included in the kit.

装配之前仔细阅读

- 小心用模型锉刀锉平所有零件表面的注射浇口。
- 小心用刀片切下蚀刻片零件，不要遗失小零件。
- 用强力快干胶水粘合蚀刻片零件和金属轴。过量快干胶水，使用可能导致可动零件会粘住，小心涂胶。
- 取蚀刻片时应特别注意安全，防止利边划伤手指。
- 某些零件表面需贴水上贴纸，请选择在装配的同时进行。
- 推荐模型工具(自备)：胶水，水口剪刀，长咀钳，刀片，锉刀，镊子，钳，钻，剪刀，瞬间快干胶。
- 软布同砂纸同时也应该是必备工具。
- 请使用塑料胶水和油漆，模型内不含。

水贴纸的使用:

- 1.从水贴纸上剪下印花;
- 2.将印花放入温水中浸10秒，然后放在干净布上。
- 3.拿着印花纸板将印花移到模型上;
- 4.手指蘸水将印花移到适当的位置;
- 5.用软布轻压印花直至水干，汽泡消失。

DECAL APPLICATION:

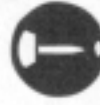
4. While still wet,decal can be adjusted for better fit on model by dampening it gently with your finger.
5. When placed in the proper position,gently press decal down with a soft cloth until excess water and air bubbles are gone.
6. Allow decal to dry completely before handling model



使用强力胶
cyanoacrylate glue



配重
weight



钻孔
make hole



切除
cut / remove



选择
option



不涂胶水
no cement



贴纸
decal



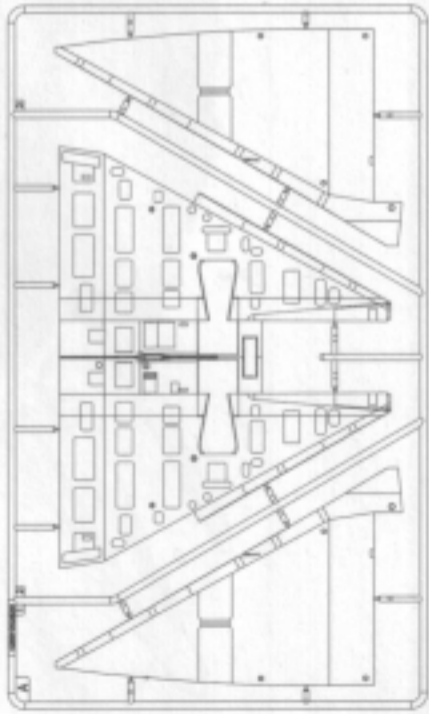
弯曲
bend



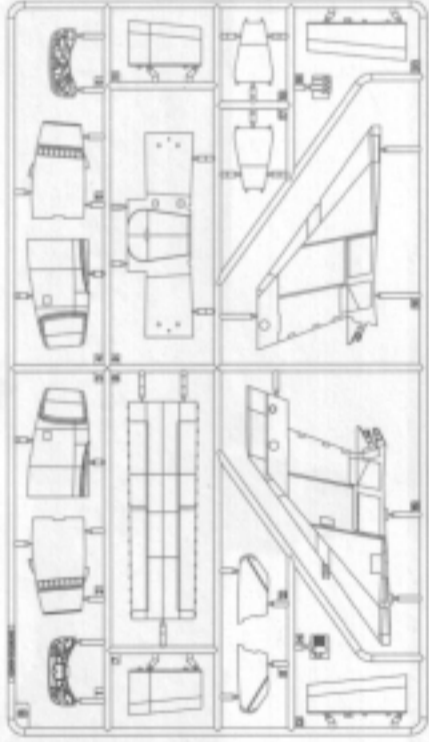
锉平
file / sand

部品图
Parts

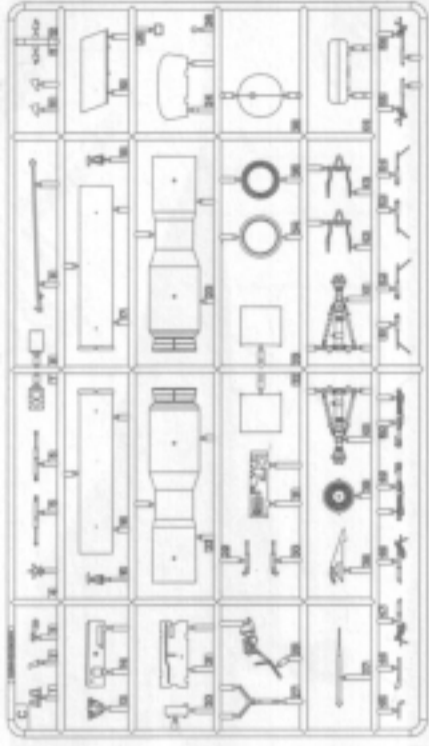
A



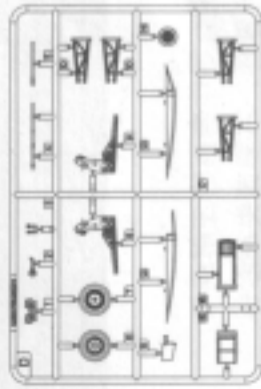
B



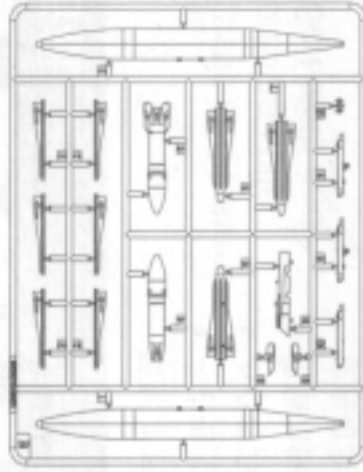
C



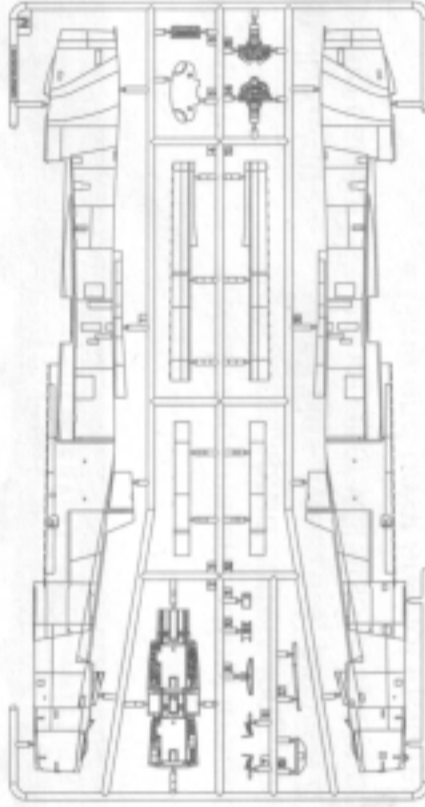
DX2



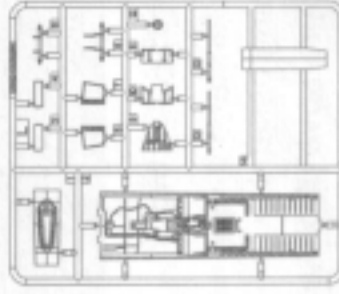
EX2



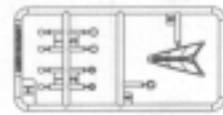
M



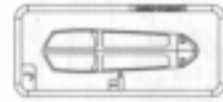
L



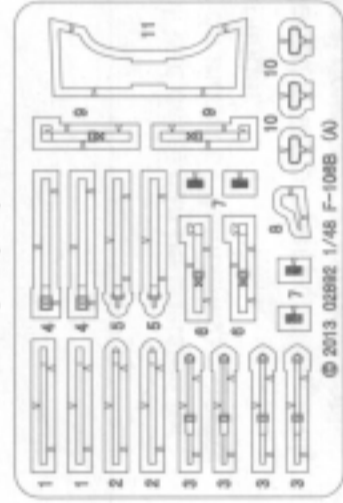
H



J



《蚀刻片》
Photo etched part(PE)

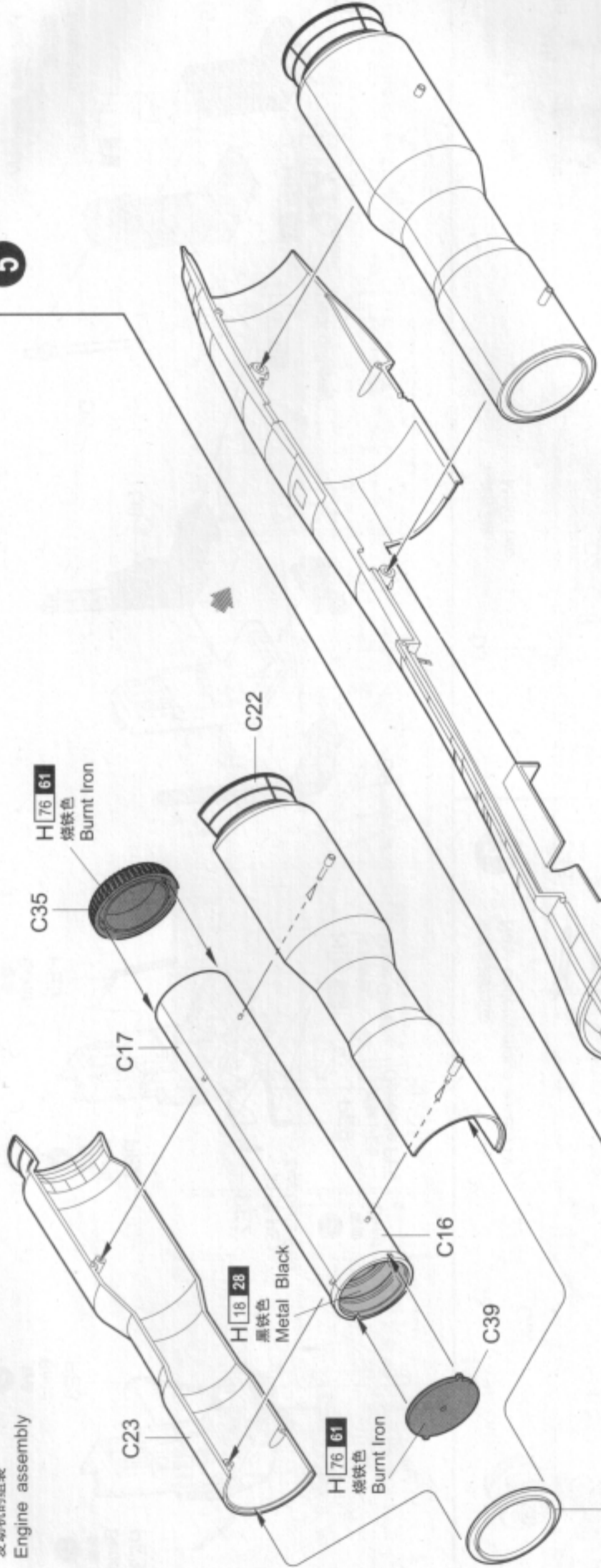


《水贴》
Decal

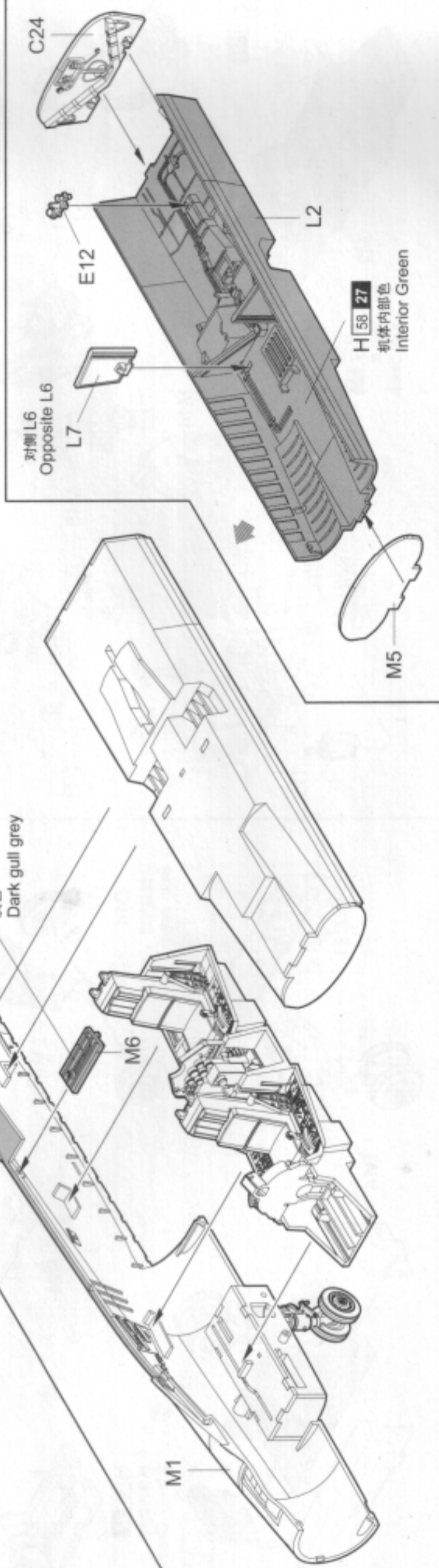


4

发动机的组装
Engine assembly

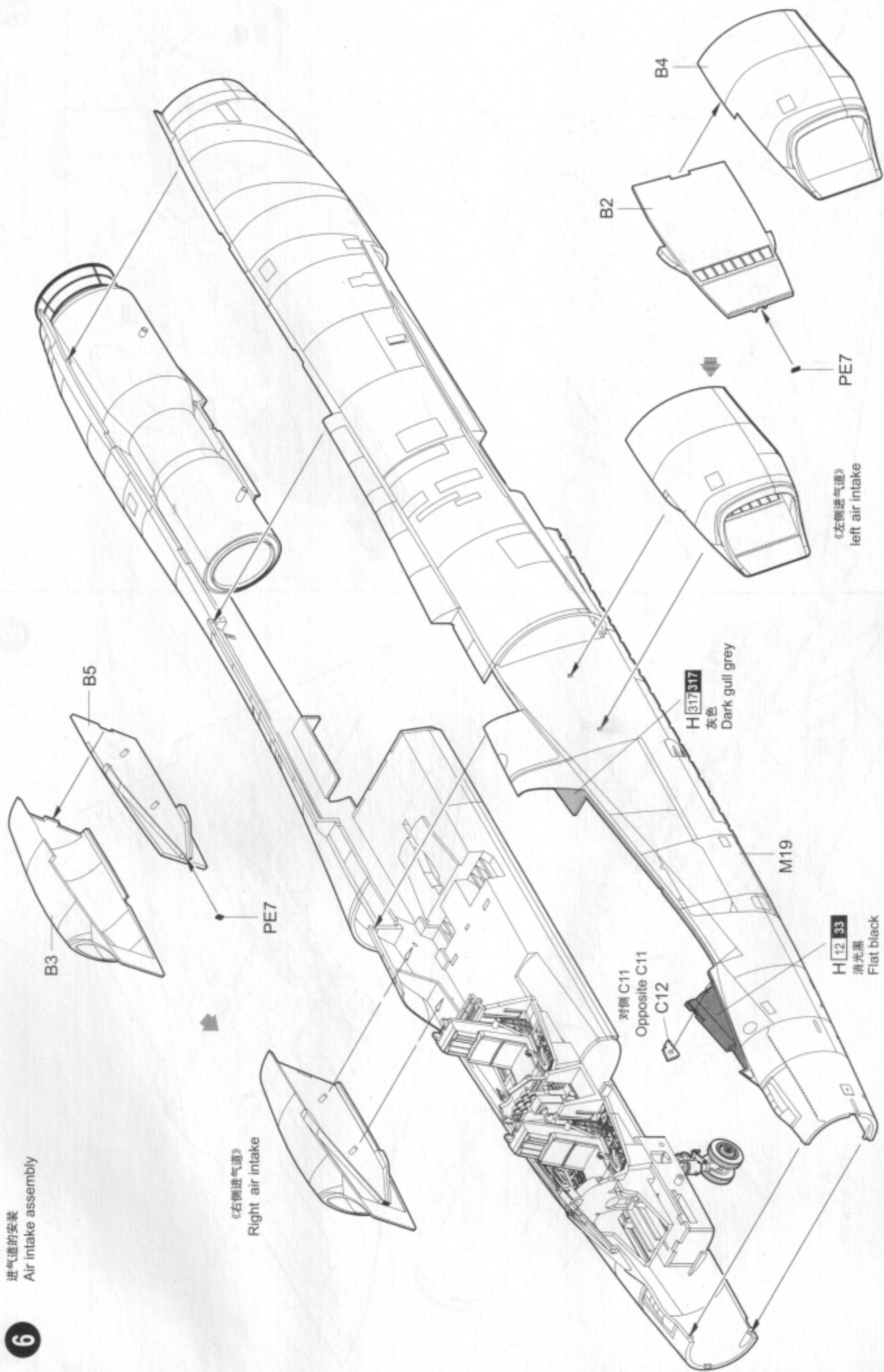


5



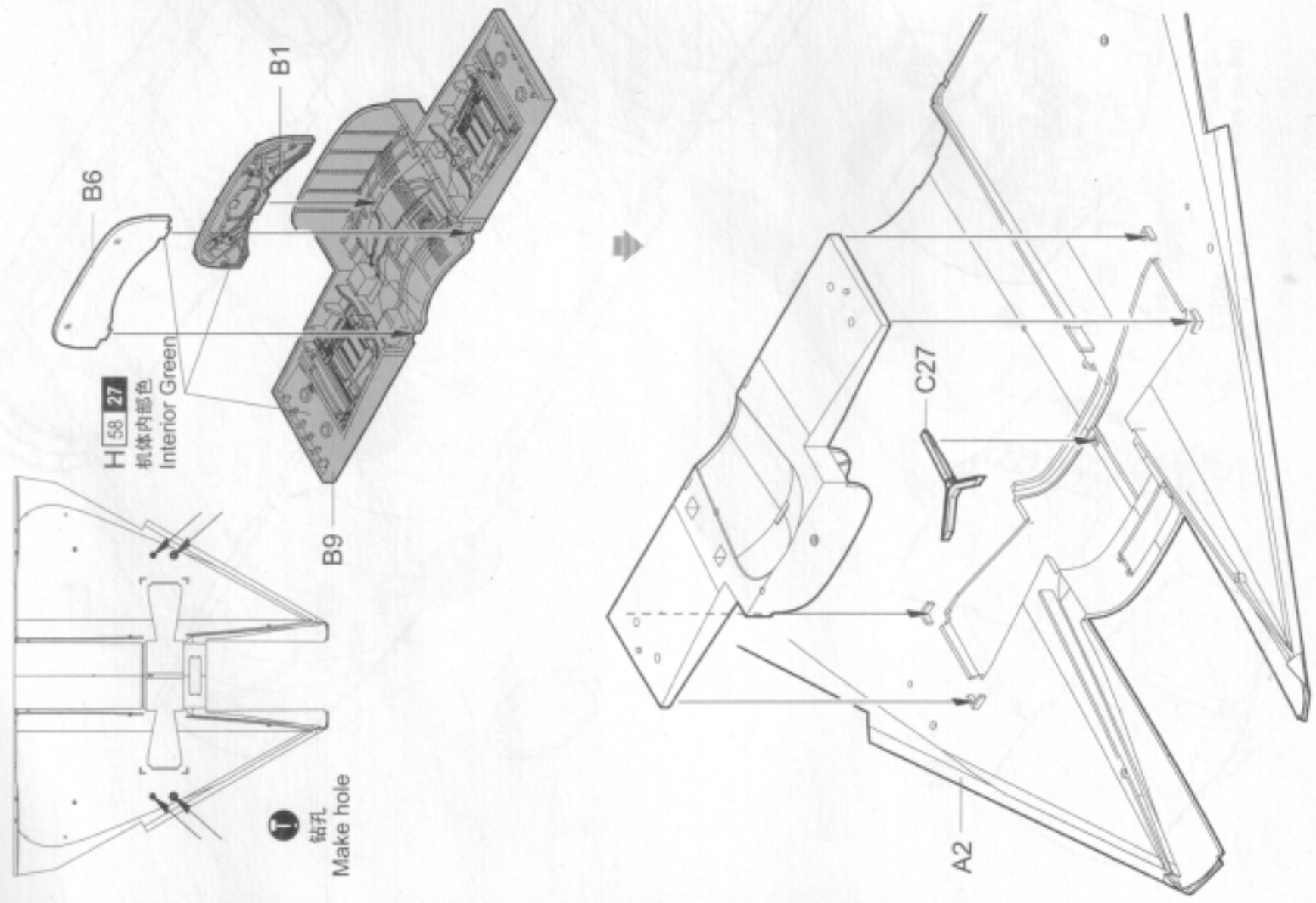
进气道的安装
Air intake assembly

6

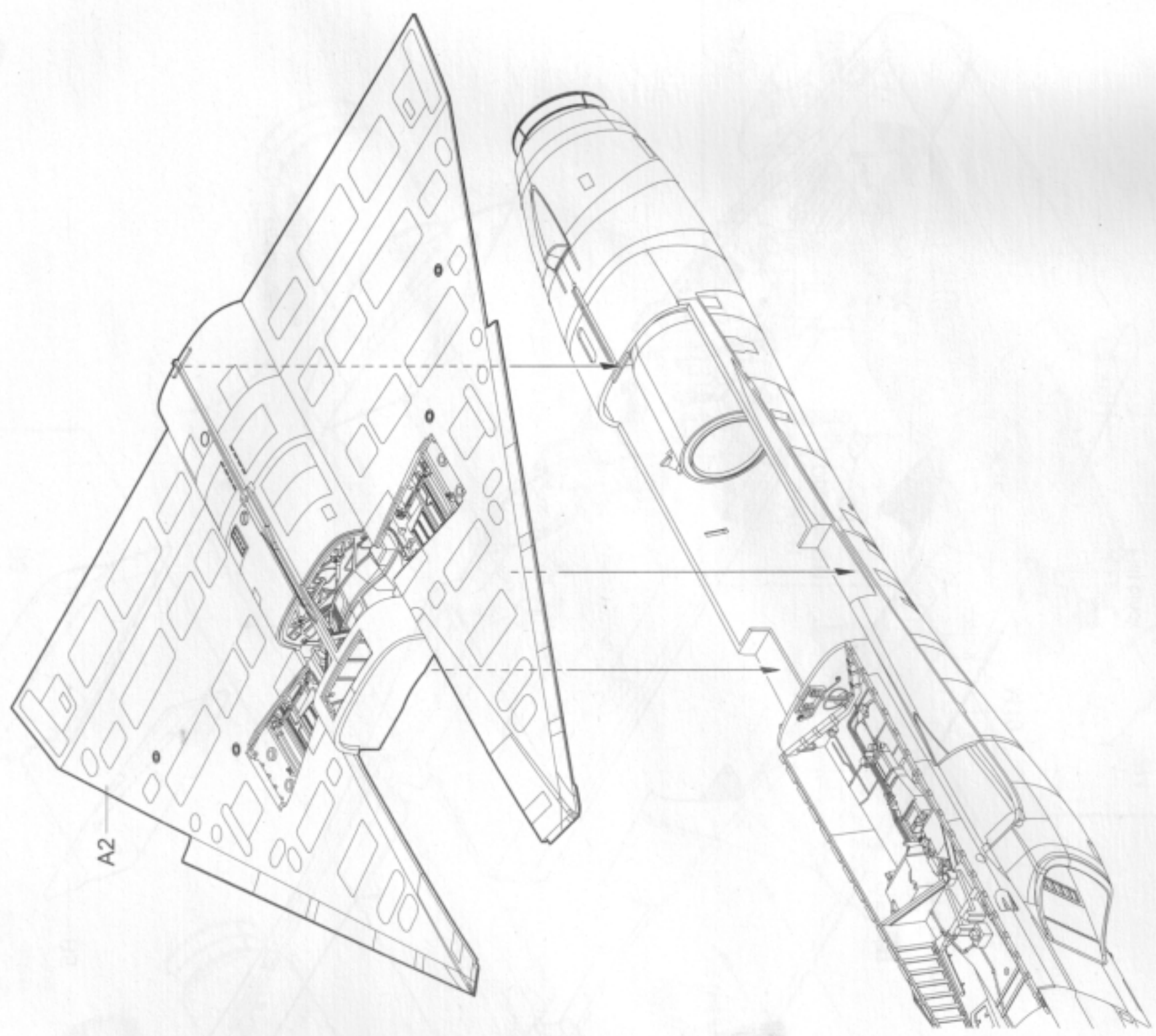


7

主舱的组装
Main gear cabin assembly



8



H12 33
消光黑
Flat black

C38

M19

L1

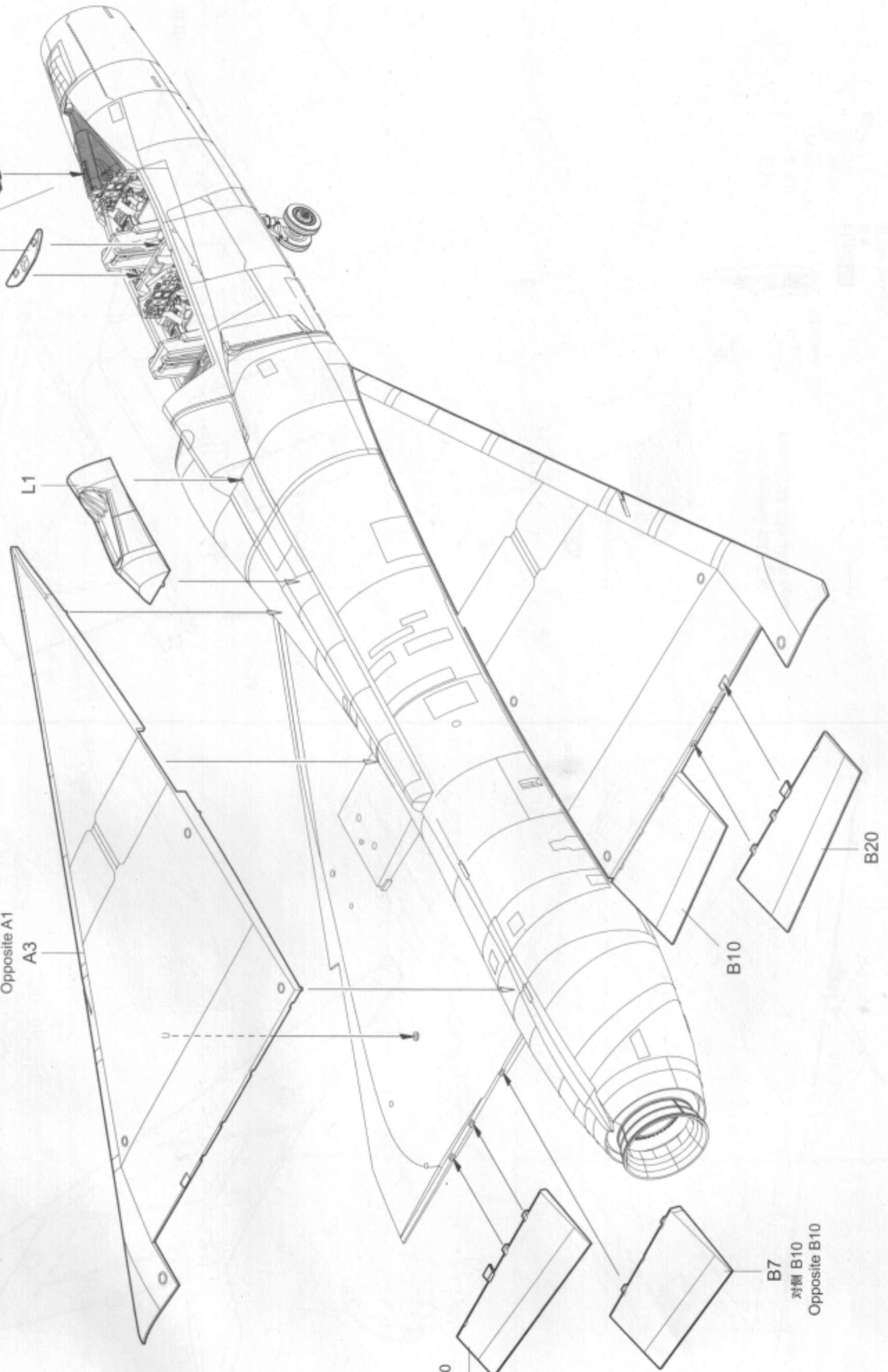
对侧 A1
Opposite A1
A3

对侧 B20
Opposite B20
B13

B7
对侧 B10
Opposite B10

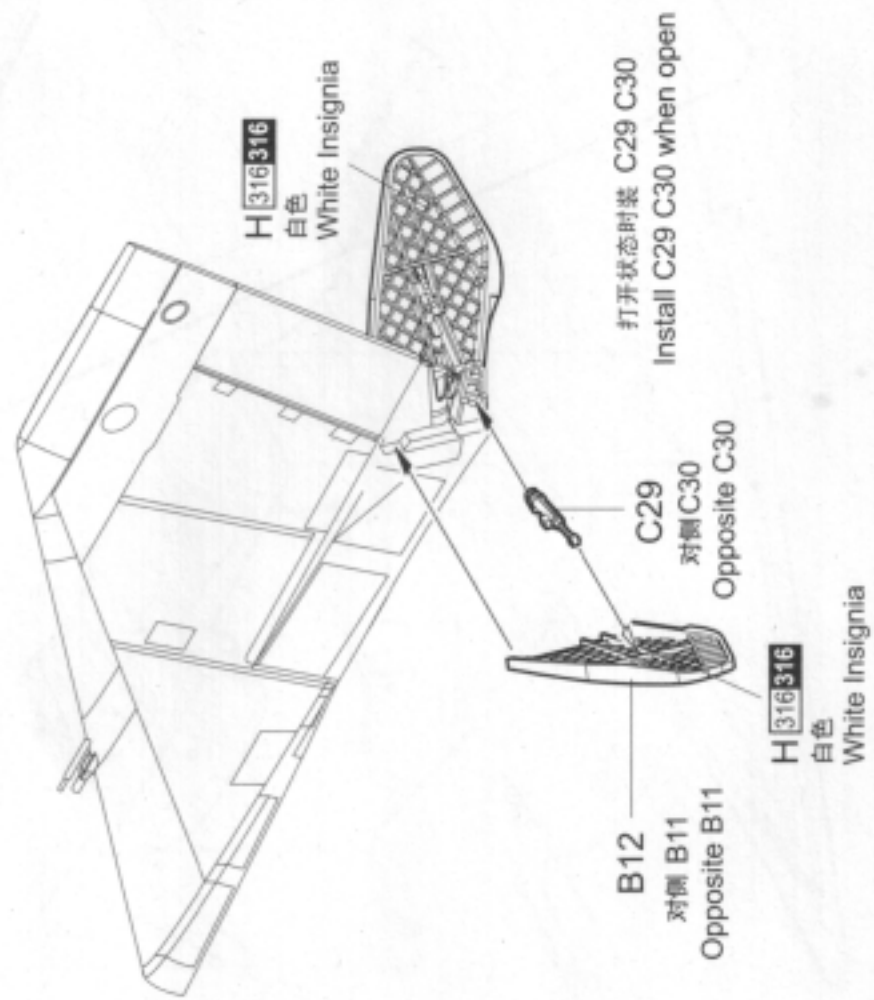
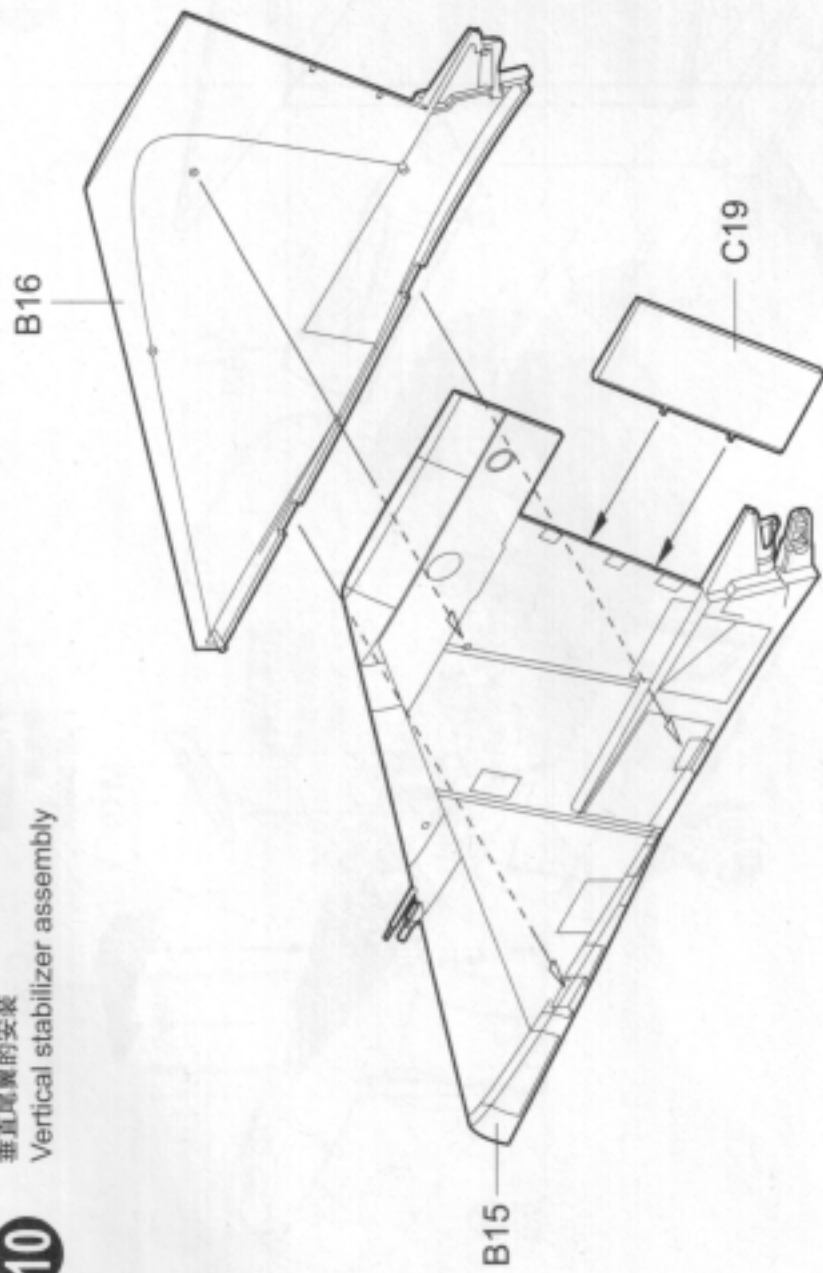
B10

B20

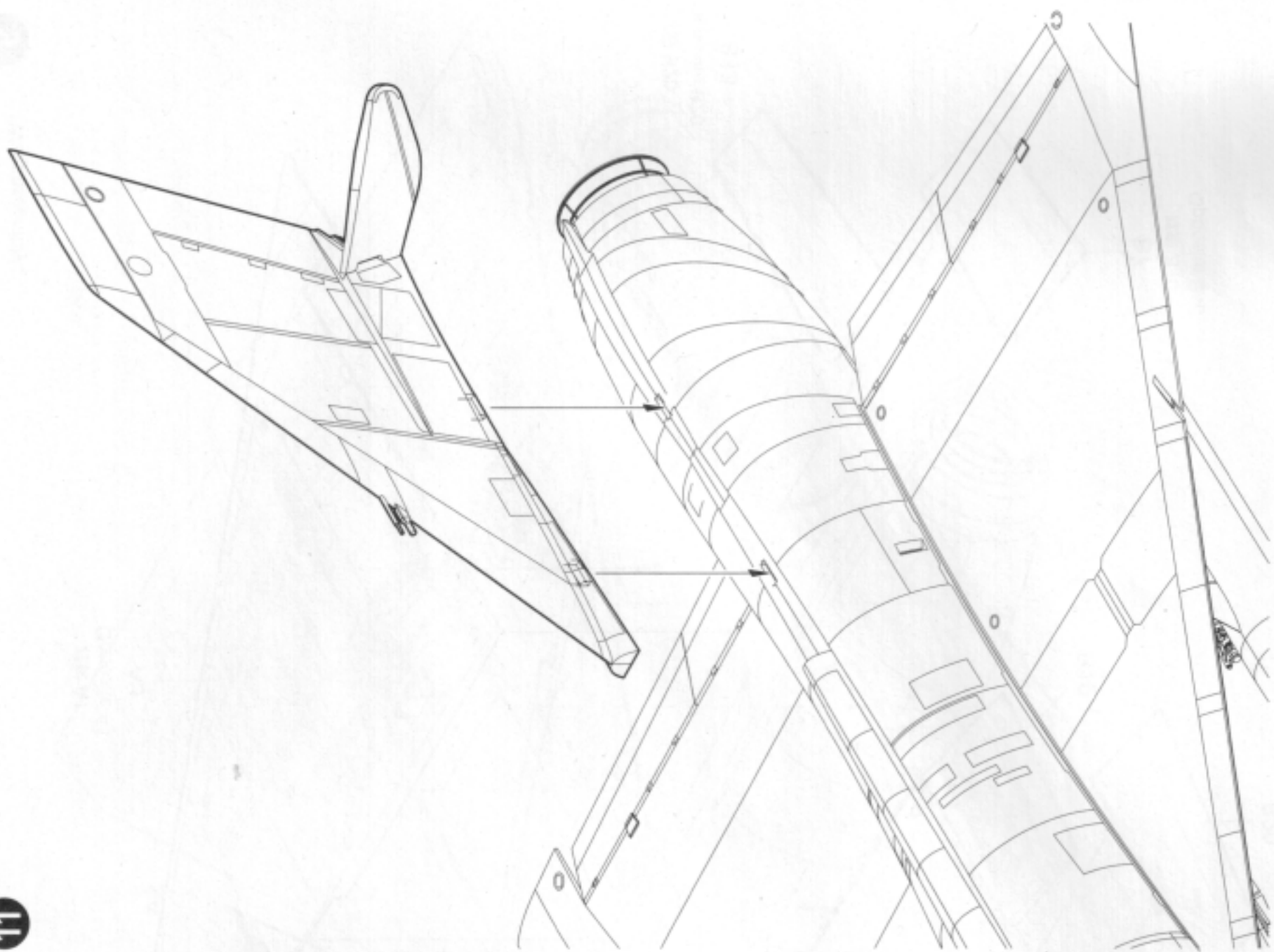


10

垂直尾翼的安装
Vertical stabilizer assembly

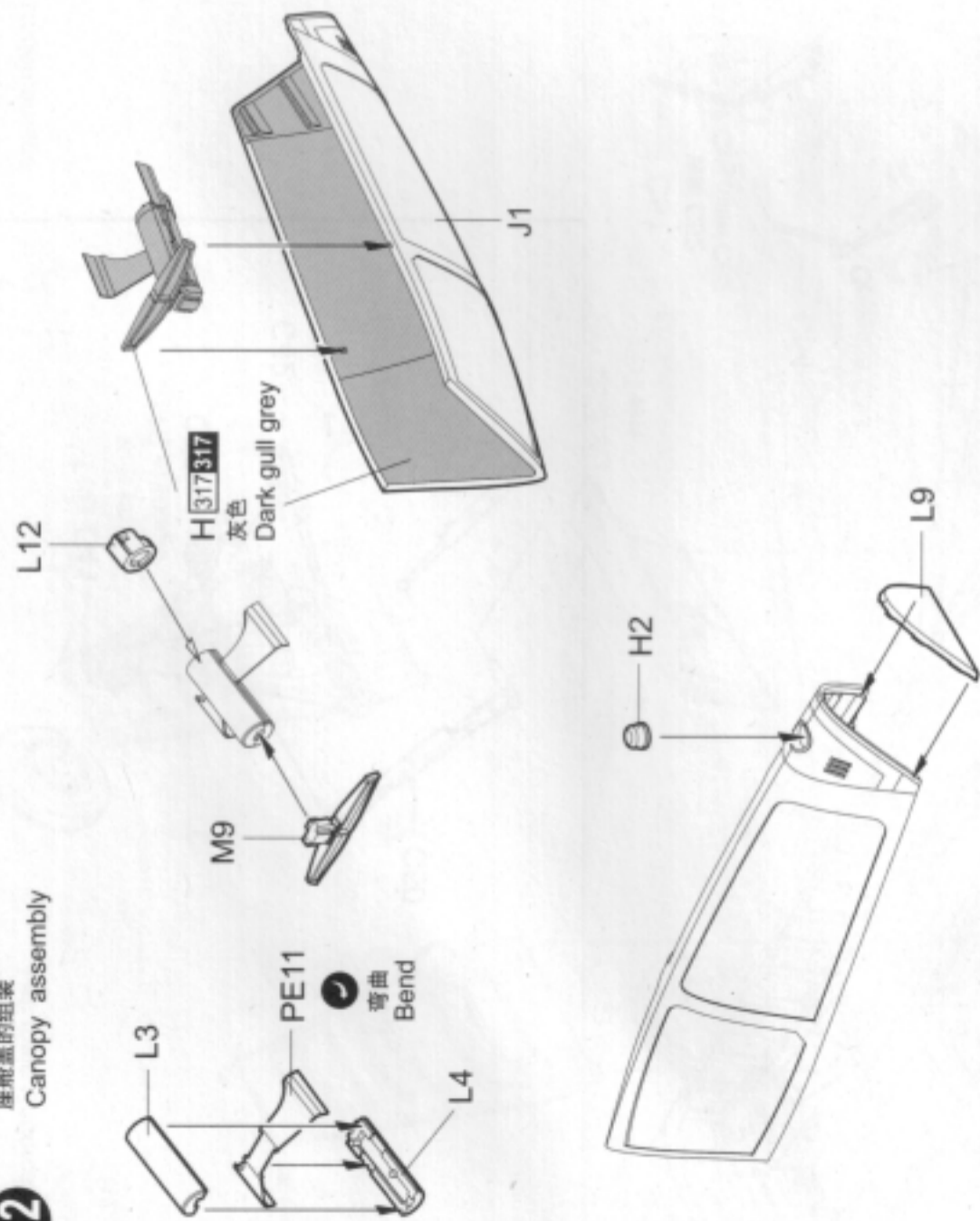


11



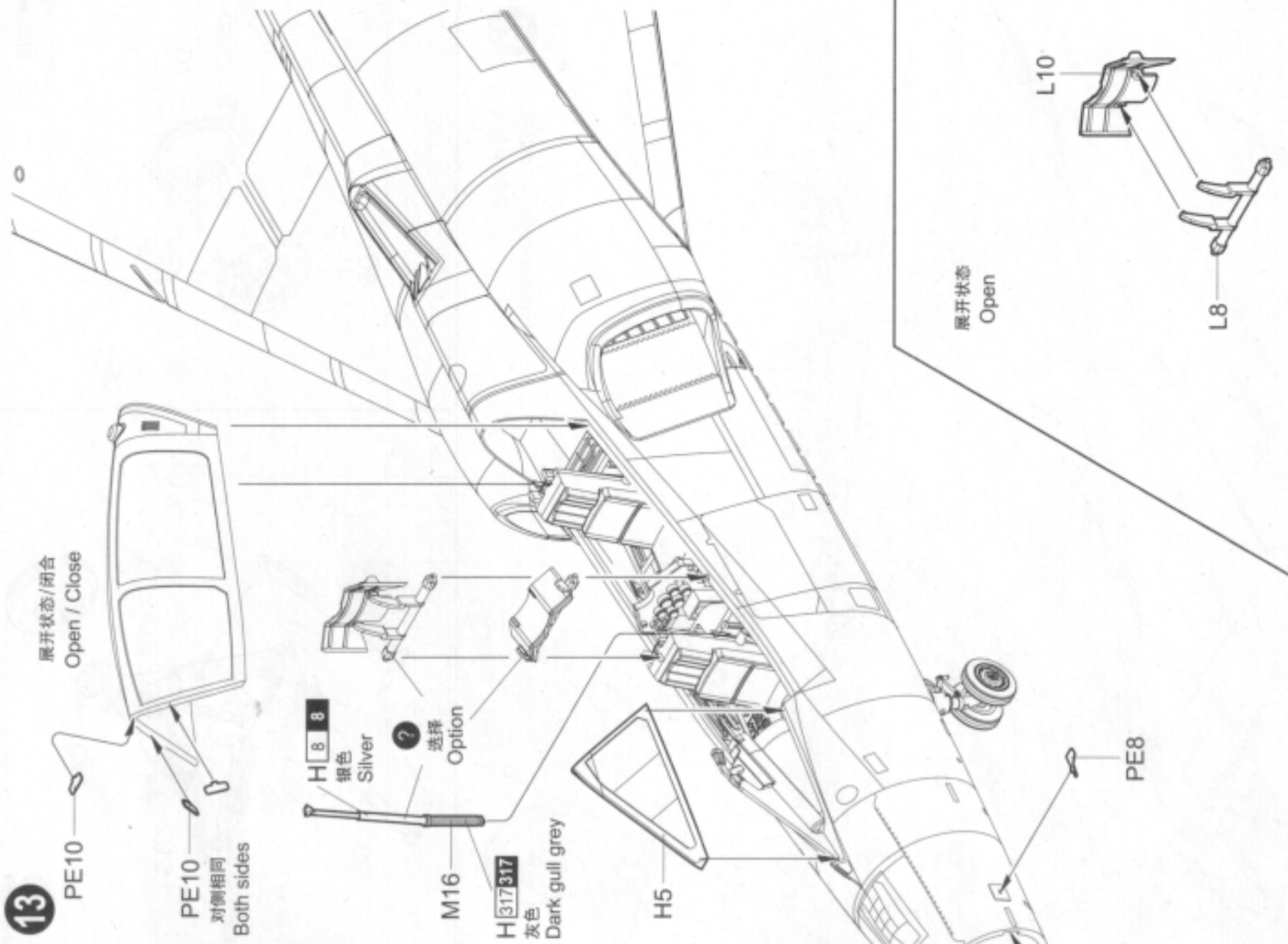
12

座舱盖的组装
Canopy assembly

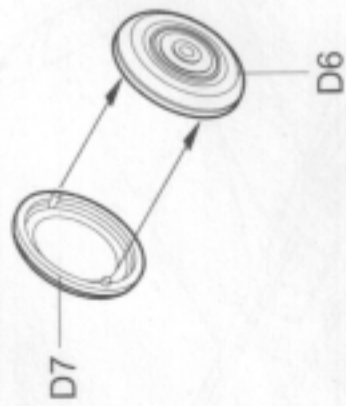


13

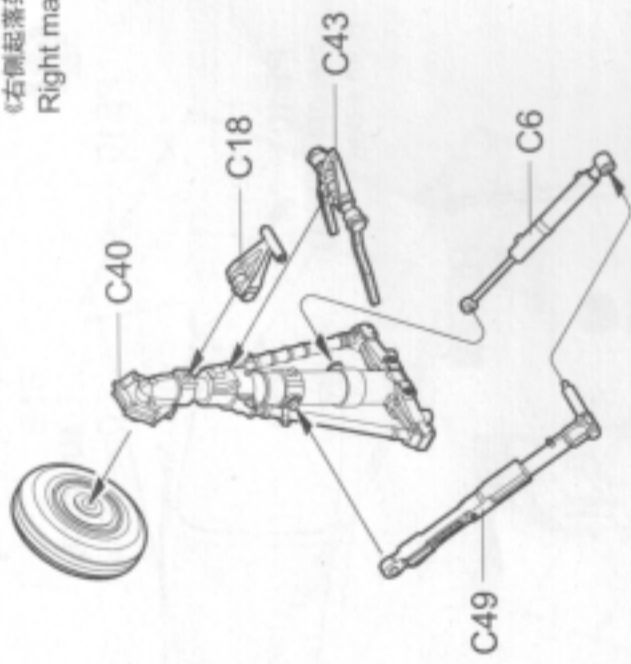
展开状态/闭合
Open / Close



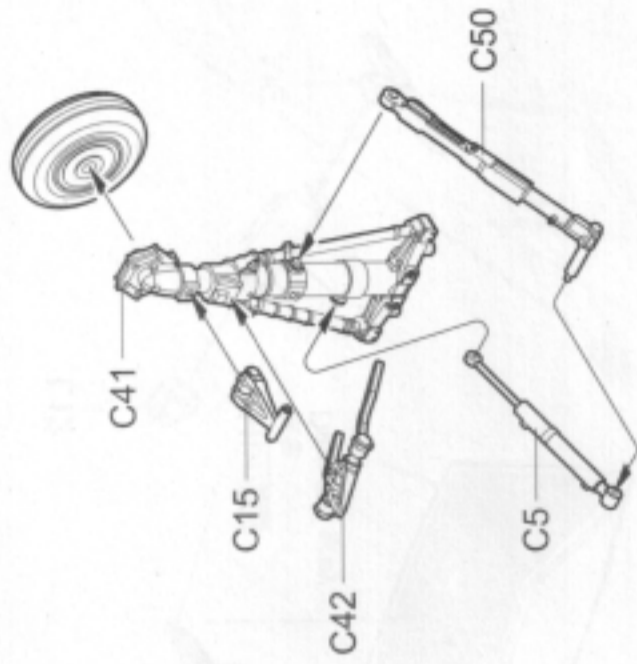
制作2组
Make two



《右侧起落架》
Right main Undercarriage

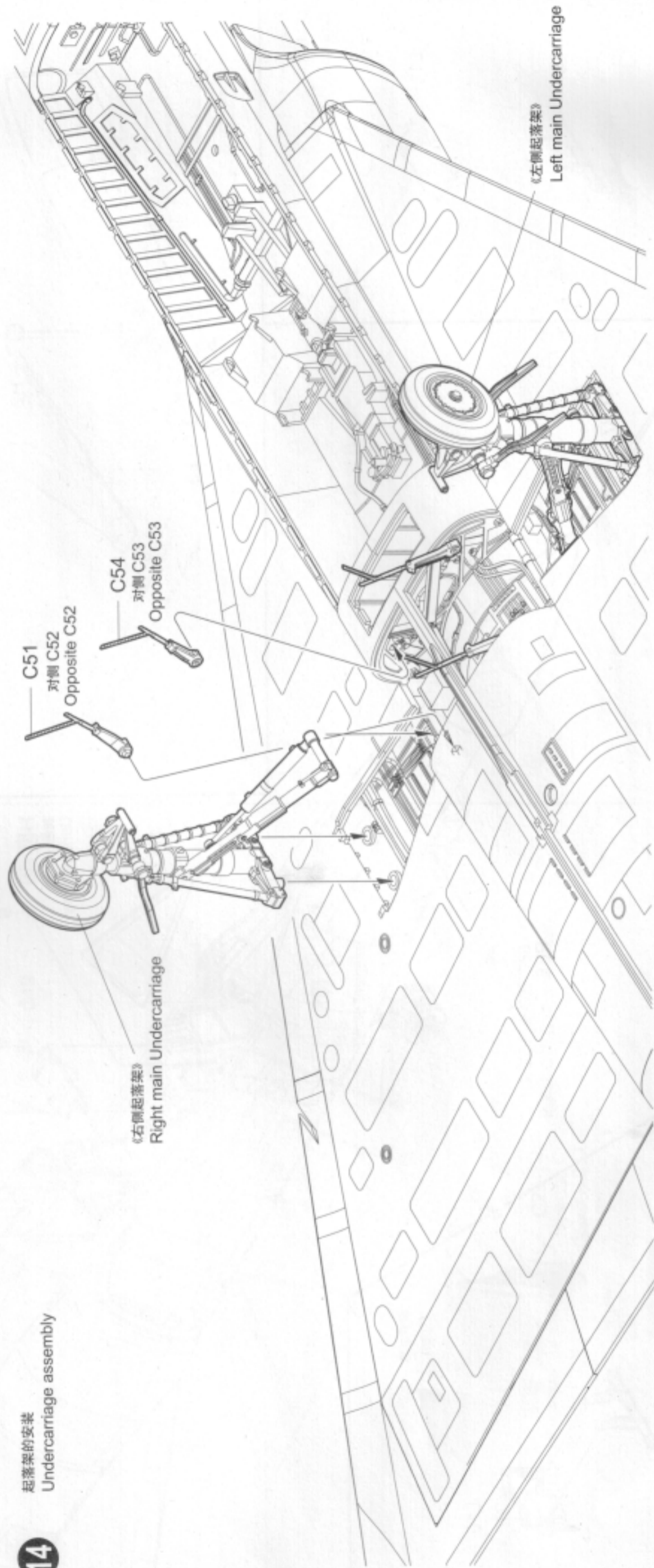


《左侧起落架》
Left main Undercarriage

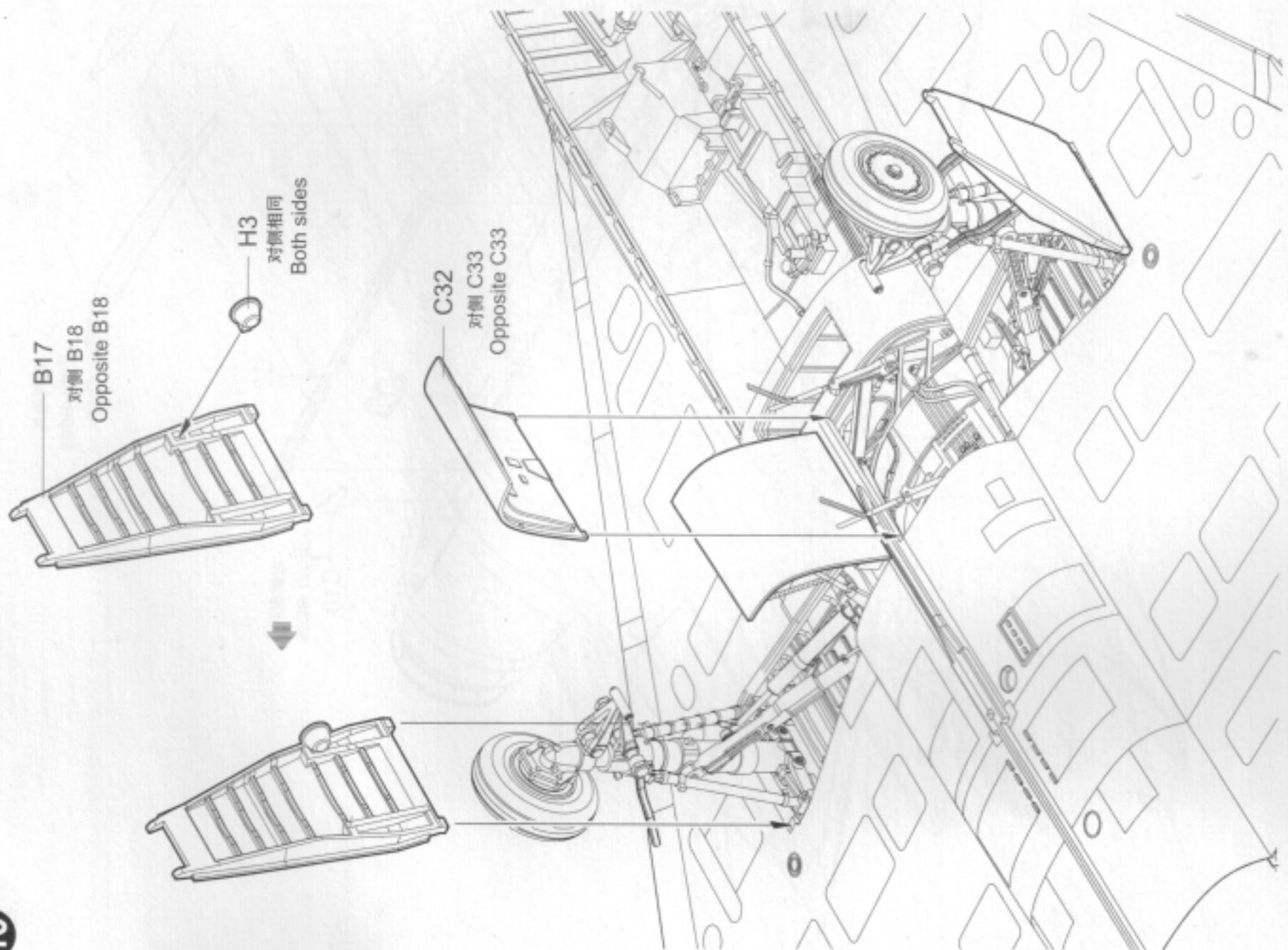


起落架的安装
Undercarriage assembly

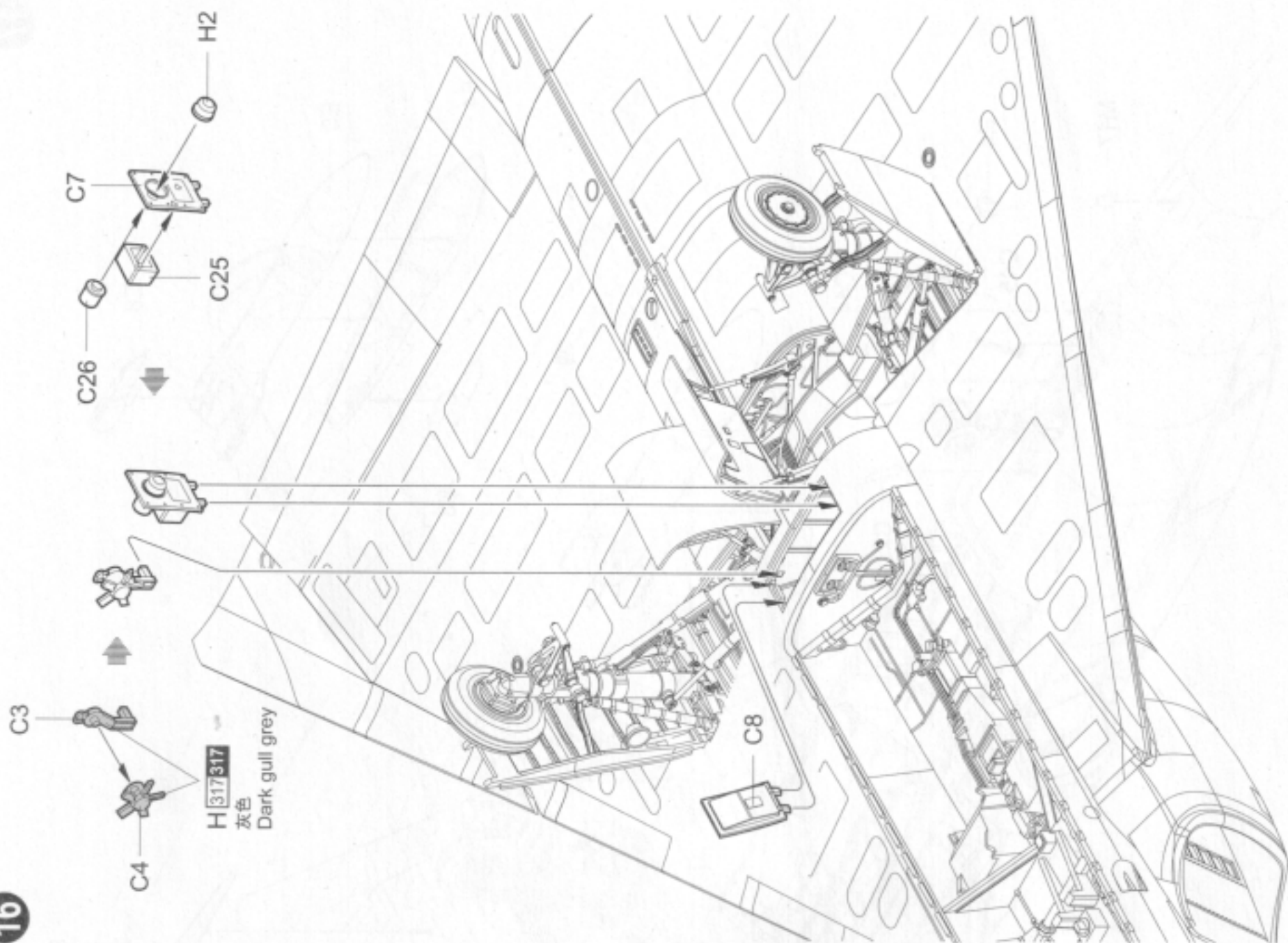
14



15



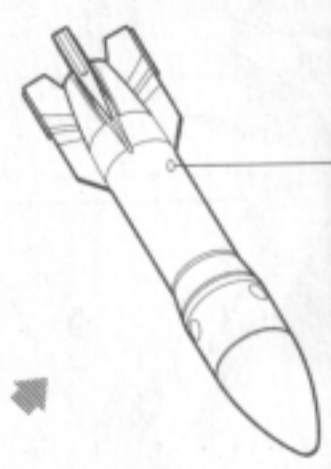
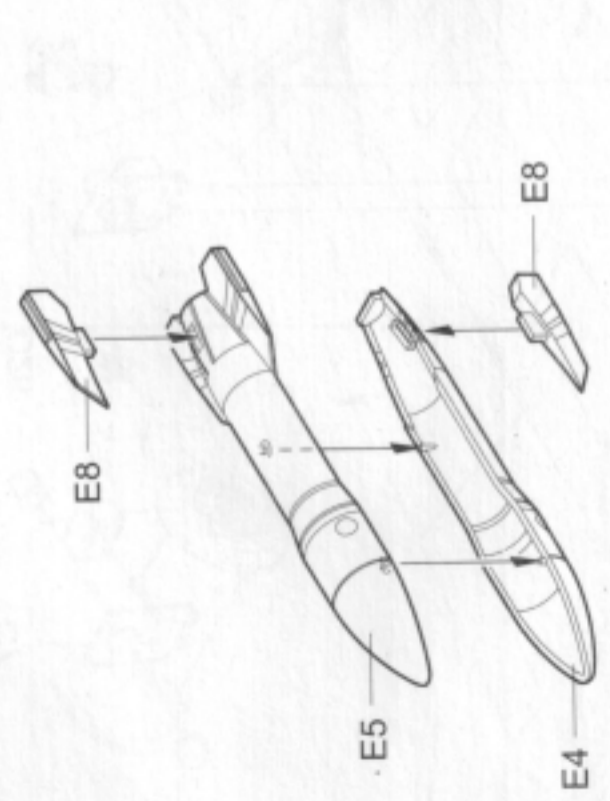
16



对侧相同
Both sides
D12

选择
Option
D13

对侧相同
Both sides
D13



对侧相同
Both sides
C10

C9

C1

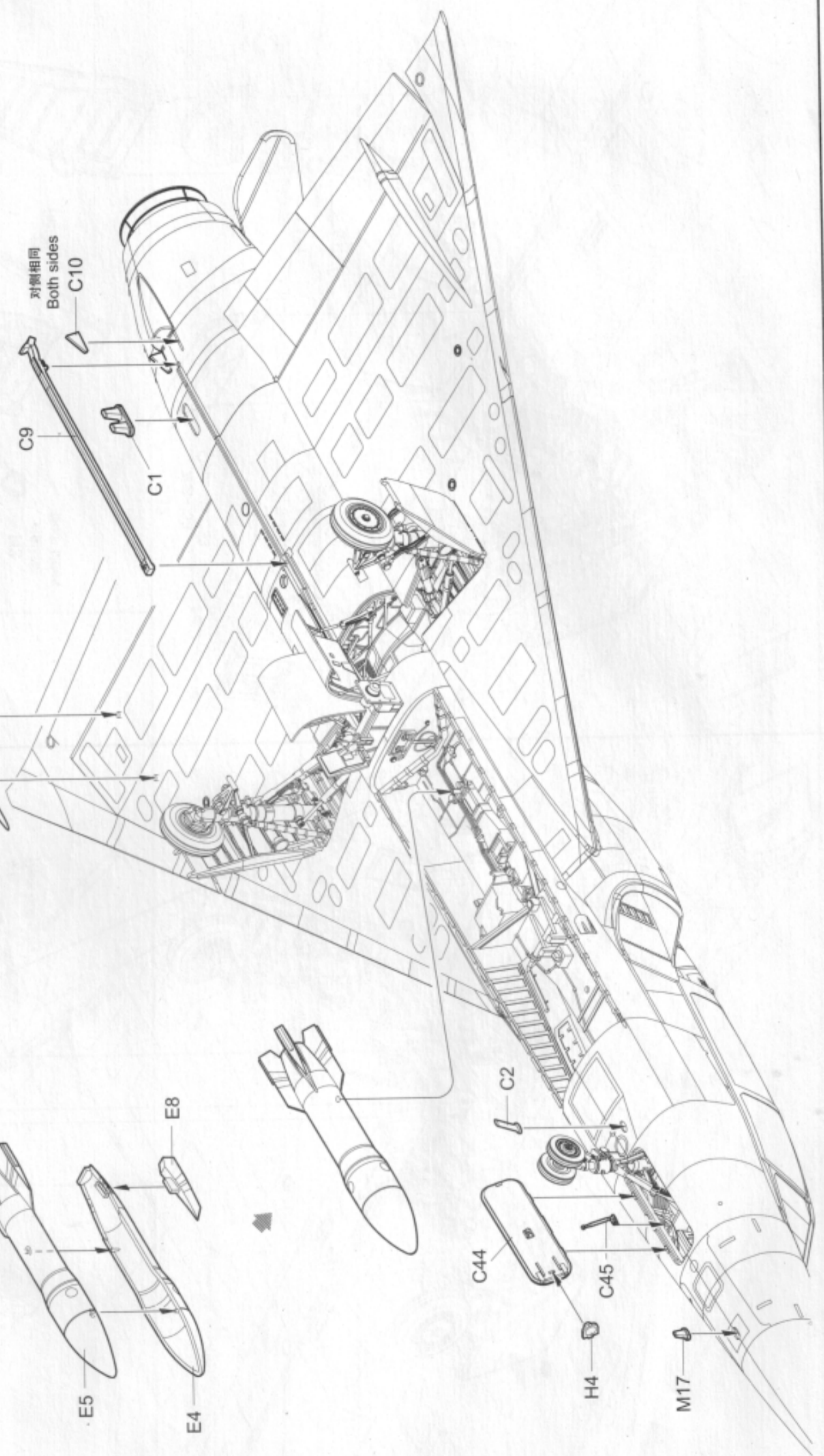
C2

C44

H4

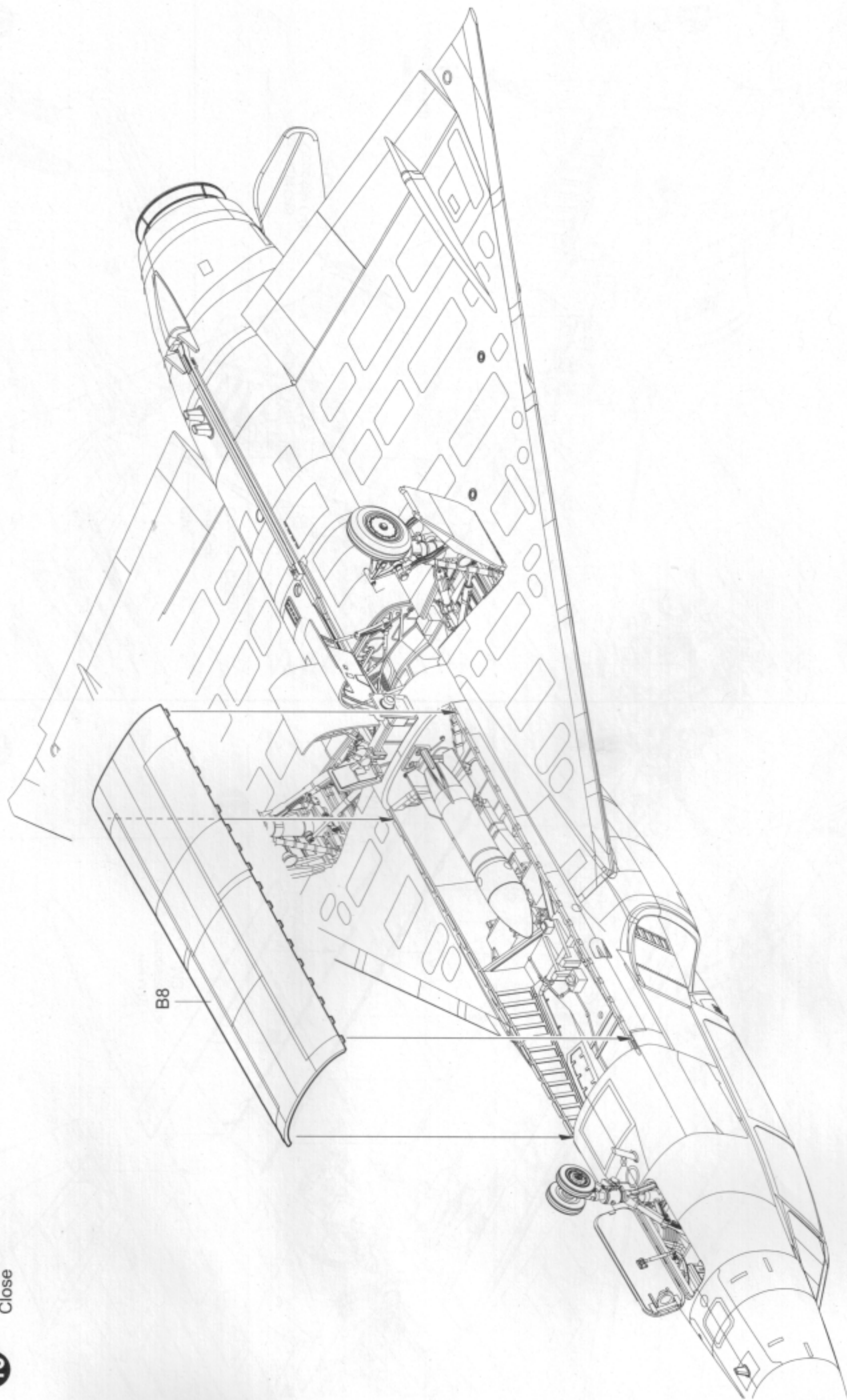
C45

M17



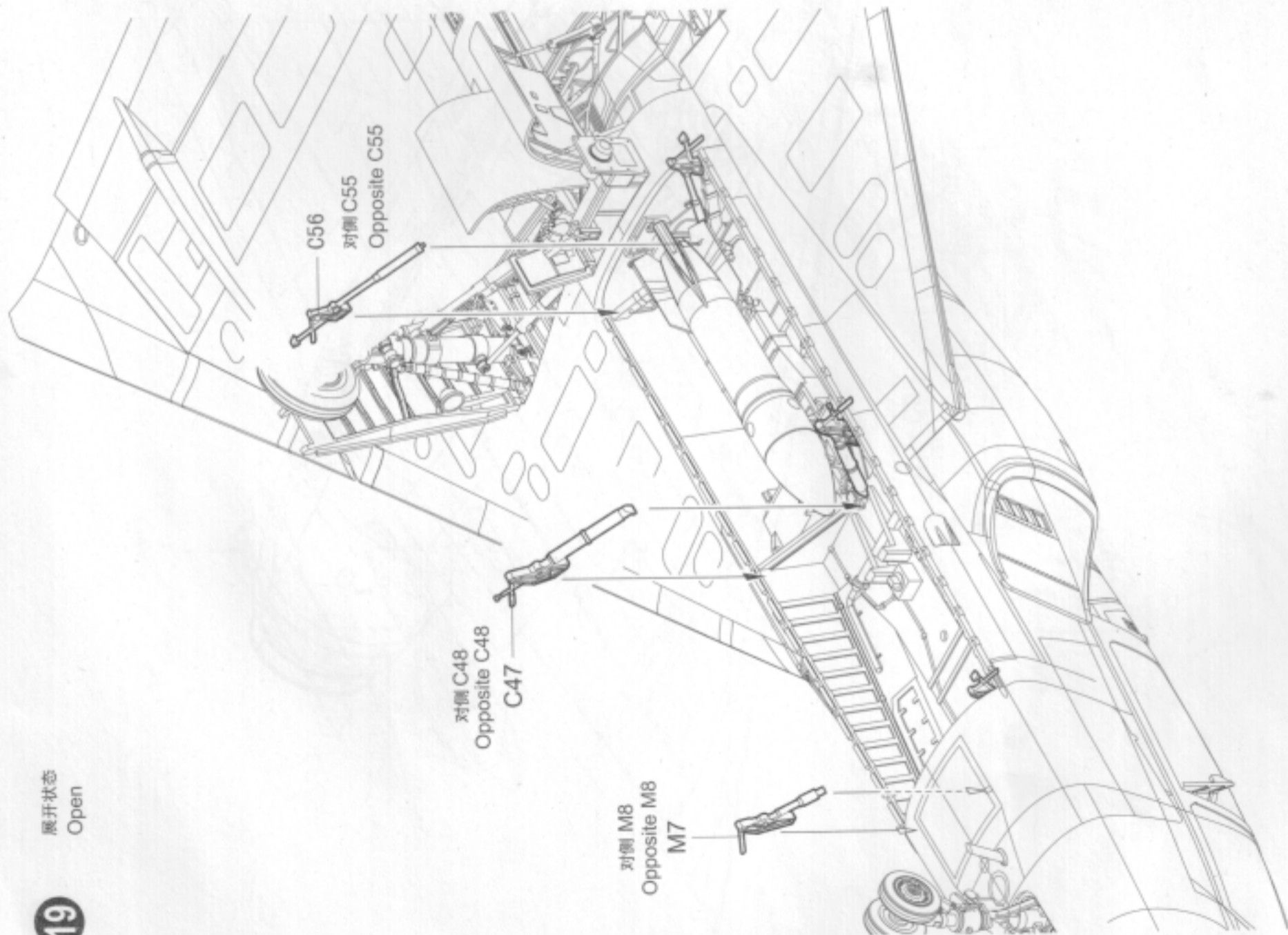
18

闭合状态
Close

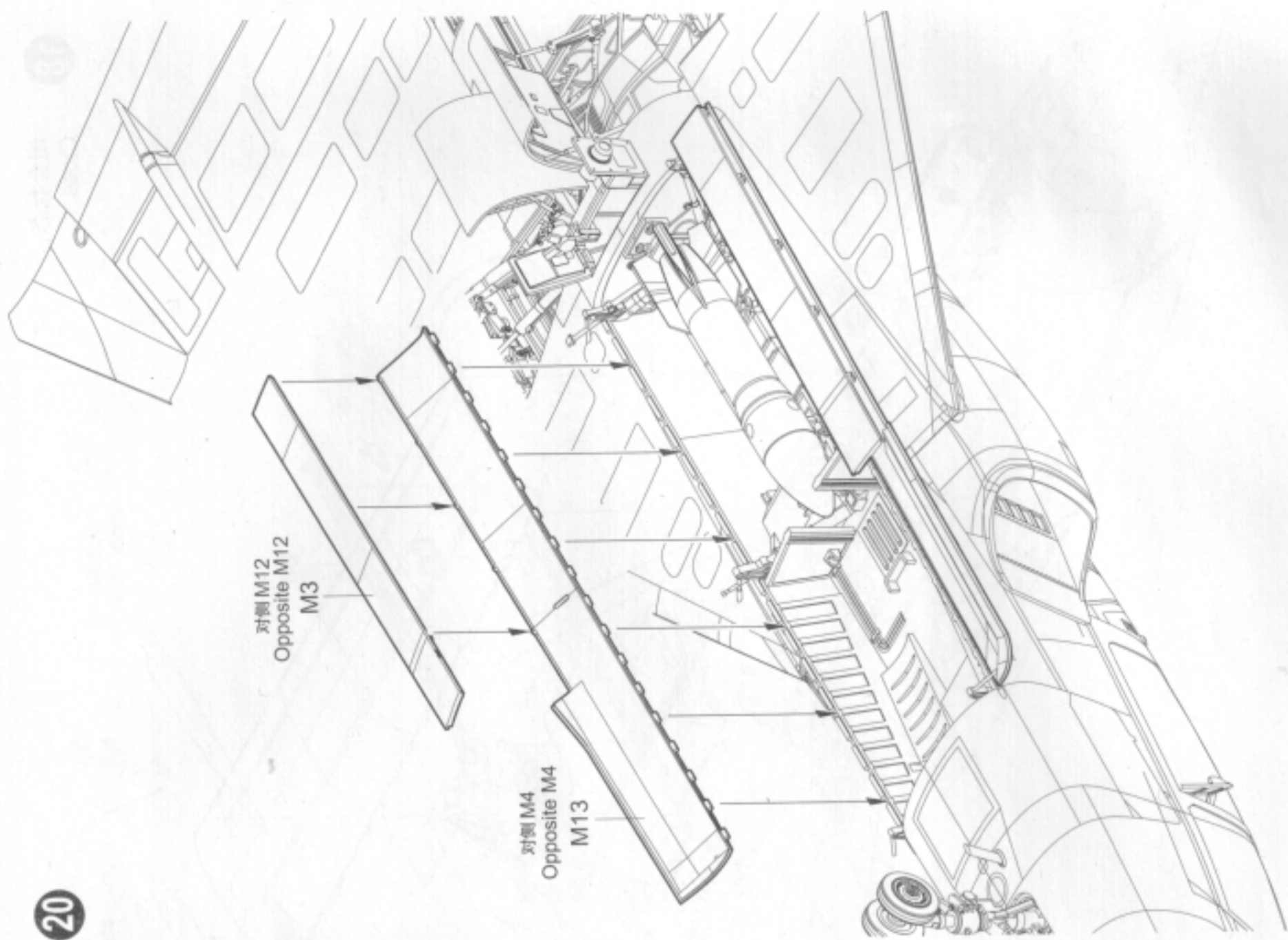


展开状态
Open

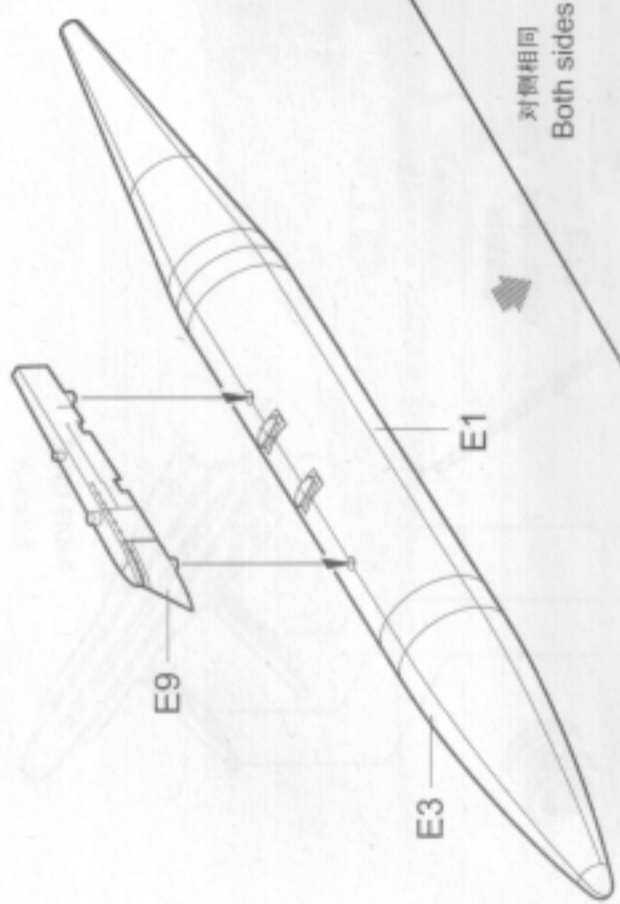
19



20



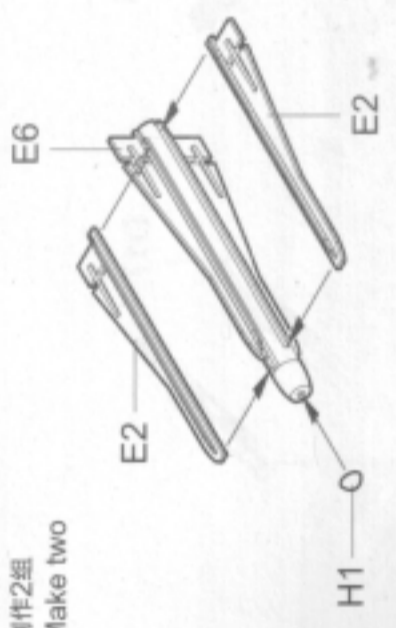
制作2组
Make two



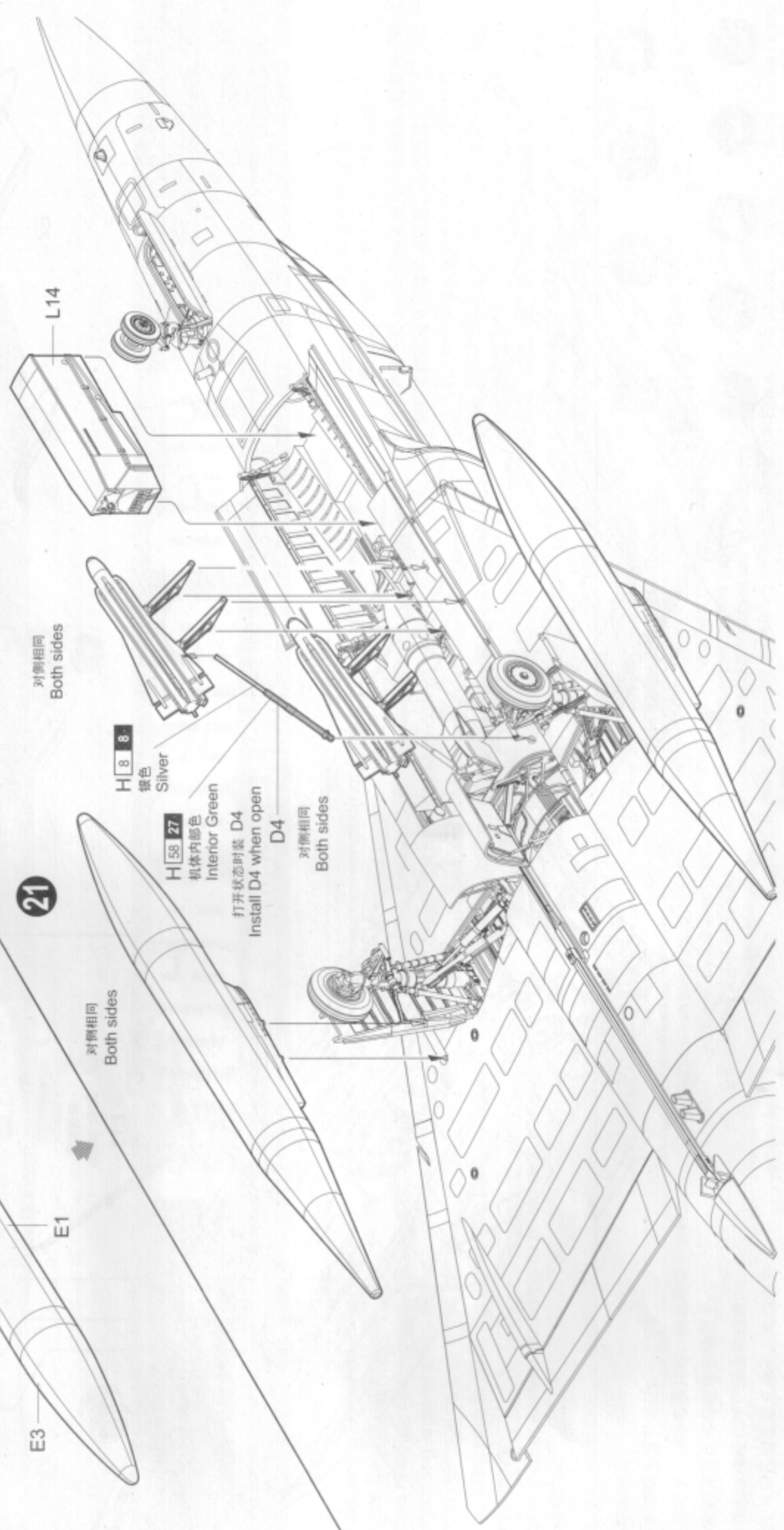
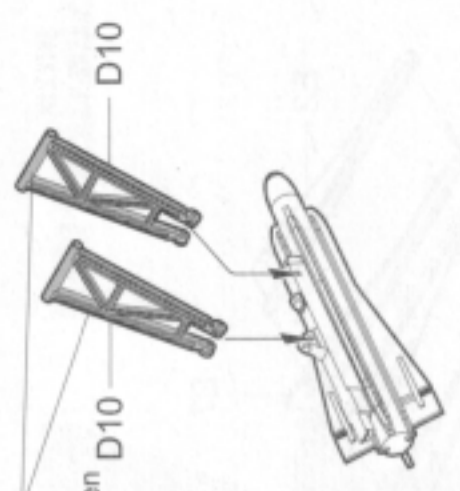
对侧相同
Both sides

21

制作2组
Make two



H[58] 27
机体内部色
Interior Green



对侧相同
Both sides

H[8] 8
银色
Silver

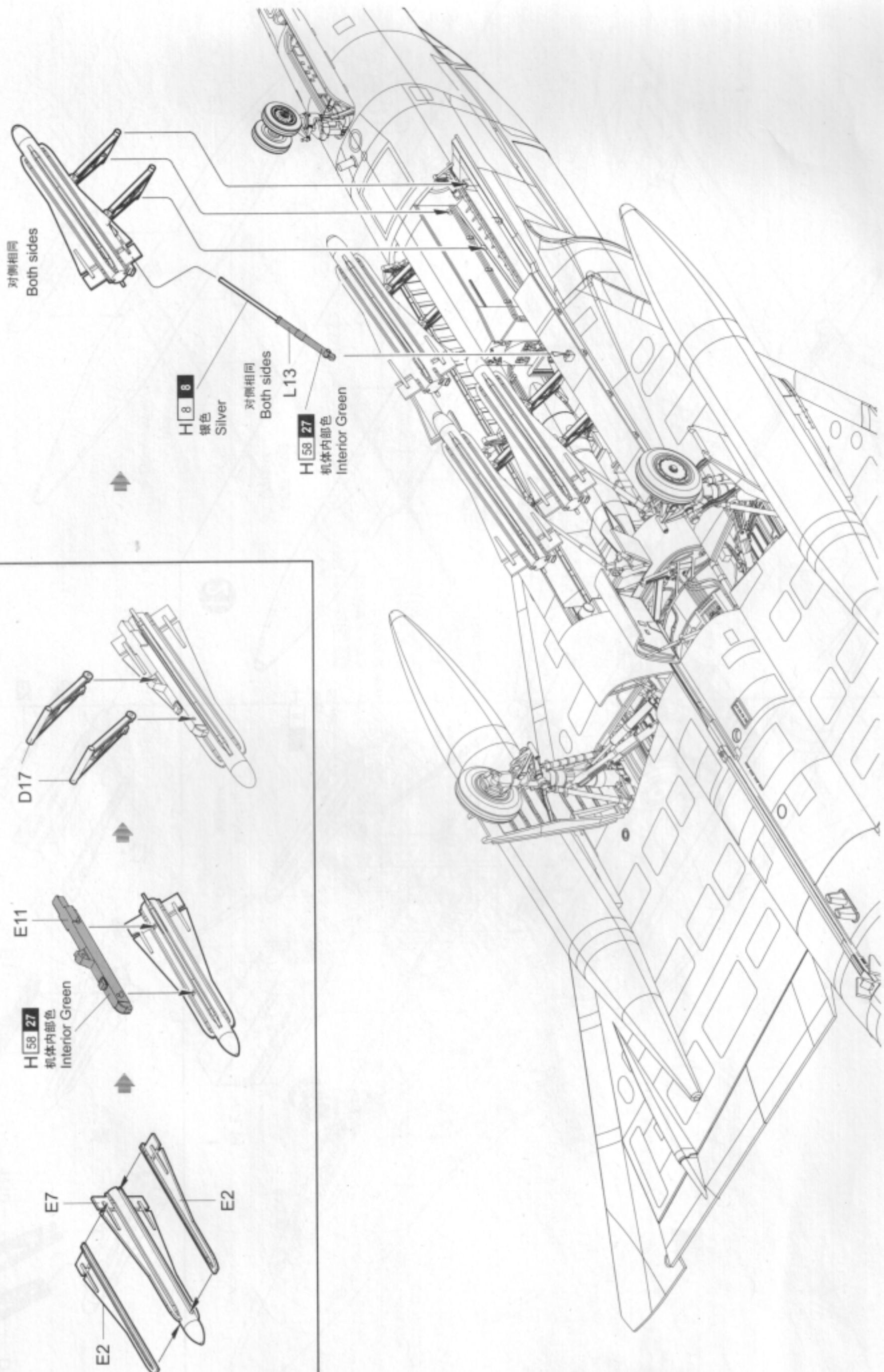
H[58] 27
机体内部色
Interior Green

打开状态时装 D4
Install D4 when open

对侧相同
Both sides

22

制作2组
Make two



对侧相同
Both sides

H|8 8
银色
Silver

对侧相同
Both sides

H|58 27
机体内部色
Interior Green

L13

D17

E11

H|58 27
机体内部色
Interior Green

E7

E2

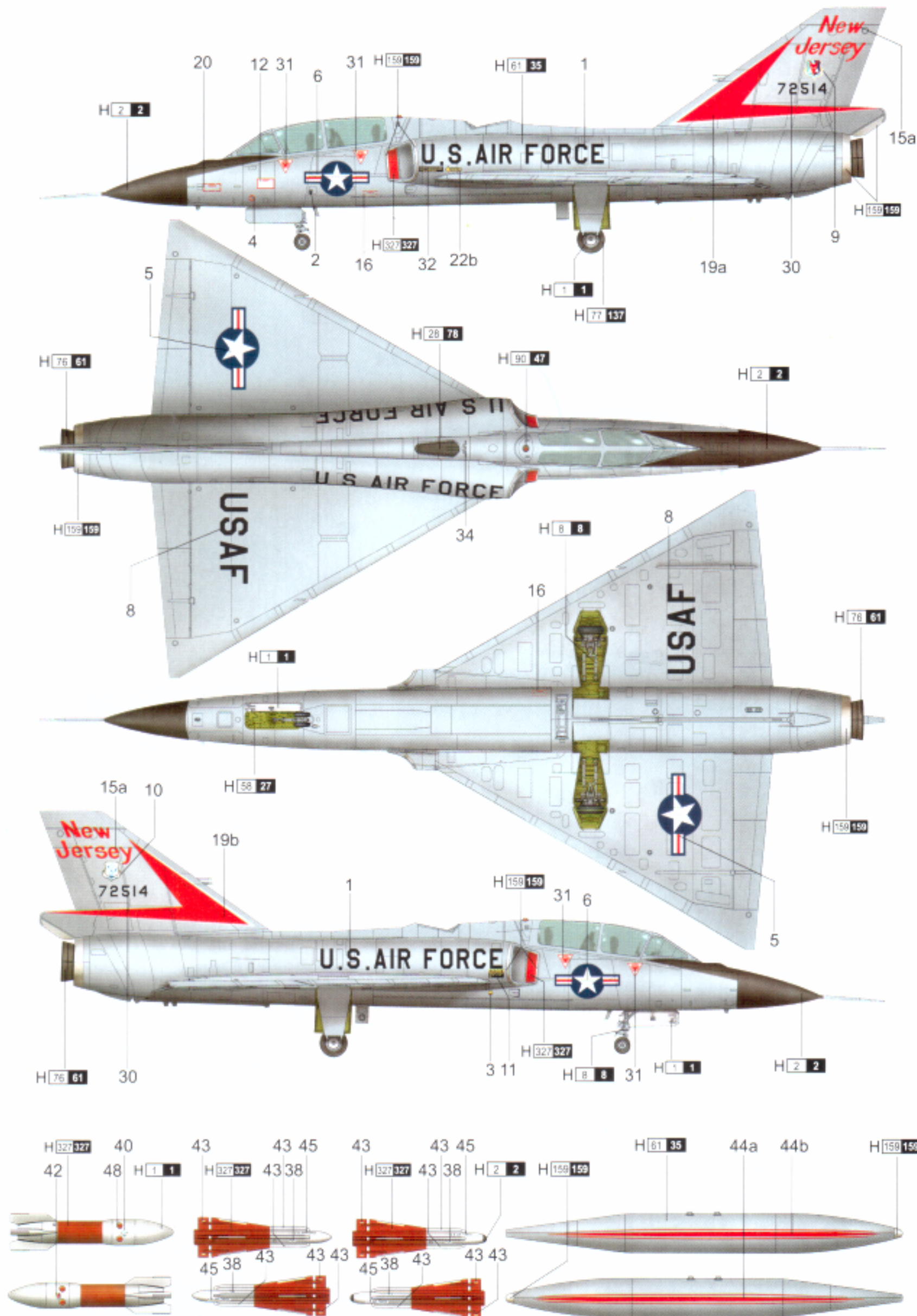
E2

涂装同标贴指示 Painting & Marking guide

A USA, Air Force, 119th Fighter-Interceptor Squadron, 177th Tactical Fighter Wing "Jersey Devils", New Jersey Air National Guard, F-106B, 57-2514

PAINT REFERENCE COLOUR						
	Color	Mr.Hobby	Vallejo	Model Master	Tamiya	Humbrol
1	明灰白 In Gray	H 61 35	907	1731	-	146
2	黑 Black	H 2 2	861	1747	X1	21
3	银 Silver	H 8 8	997	1546	X11	11
4	内饰内绿色 Interior Green	H 58 27	-	-	-	-
5	轮胎黑 Tyre Black	H 77 137	-	-	-	-
6	超银 Super Silver	H 159 159	-	-	-	-

PAINT REFERENCE COLOUR						
	Color	Mr.Hobby	Vallejo	Model Master	Tamiya	Humbrol
7	烧蚀色 Burned Iron	H 76 61	863	1795	X10	53
8	白色 White	H 1 1	842	1745	X2	22
9	红色 Insignia Red	H 327 327	957	1705	XF7	153
10	透明红 Clear Red	H 90 47	934	-	X27	-
11	蓝色 Blue	H 326 326	-	1719	XF17	189
12	金属黑 Metallic Black	H 28 78	950	-	-	-



H AQUEOUS HOBBY COLOR ■ Mr. COLOR

涂装同标贴指示 Painting & Marking guide

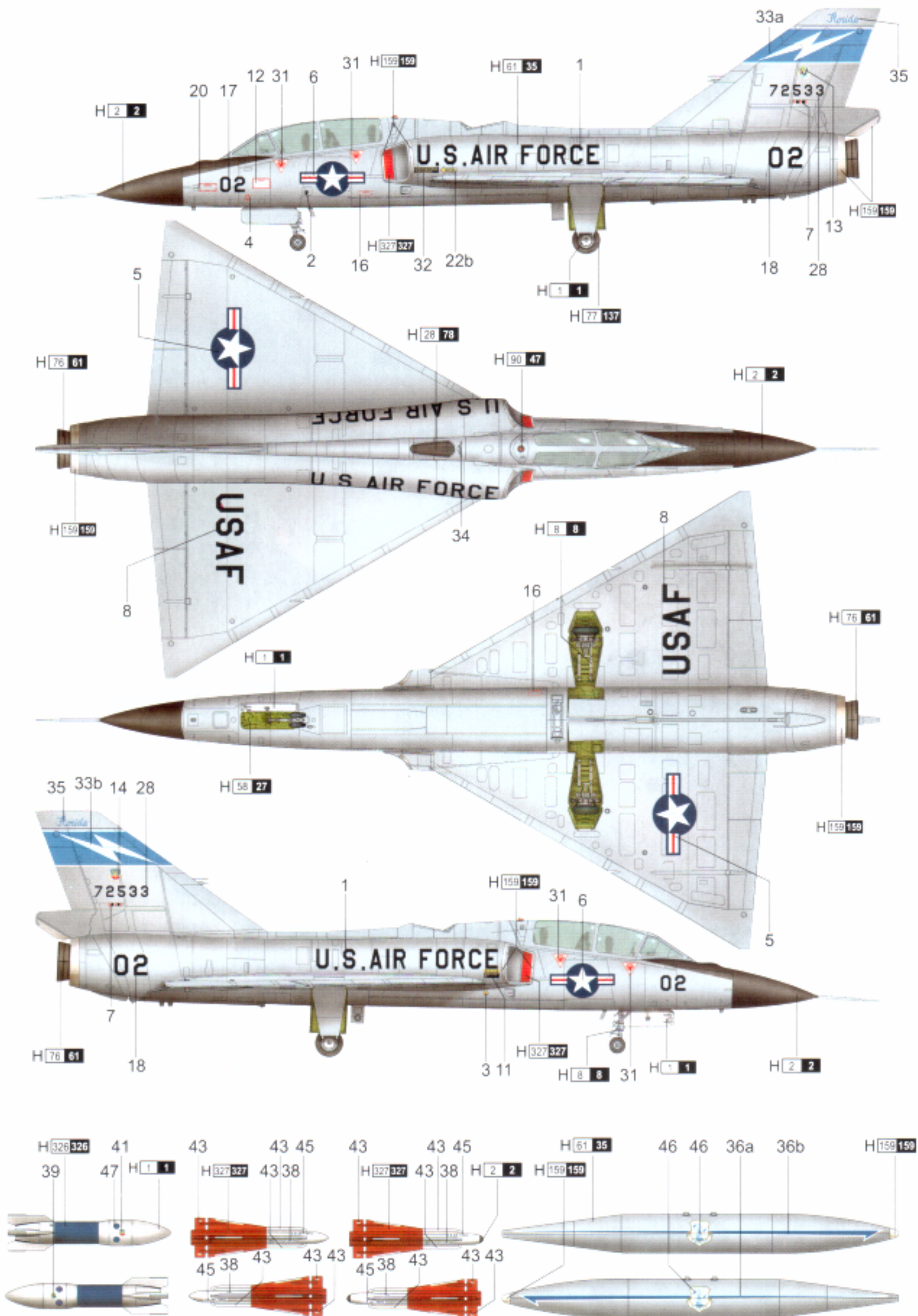
B USA, Air Force, 125th Fighter Wing,
Florida Air National Guard, F-106B,
57-2533/02(cn 8-27-27)

PAINT REFERENCE COLOUR

Color	Mr.Hobby	Vallejo	Model Master	Tamiya	Humbrol
1 明灰白 In Gray	H 61 35	907	1731	-	146
2 黑 Black	H 2 2	861	1747	X1	21
3 银 Silver	H 8 8	997	1546	X11	11
4 荧光绿色 Instructor Green	H 58 27	-	-	-	-
5 黑色 Tyre Black	H 77 137	-	-	-	-
6 超银 Super Silver	H 159 159	-	-	-	-

PAINT REFERENCE COLOUR

Color	Mr.Hobby	Vallejo	Model Master	Tamiya	Humbrol
7 锈褐色 Burned Iron	H 76 61	863	1796	X10	53
8 白色 White	H 1 1	842	1745	X2	22
9 红色 Insignia Red	H 327 327	967	1706	XF7	153
10 透明红 Clear Red	H 90 47	934	-	X27	-
11 蓝色 Blue	H 326 326	-	1719	XF17	189
12 金属黑 Metallic Black	H 28 78	990	-	-	-



□ AQUEOUS HOBBY COLOR ■ Mr. COLOR