

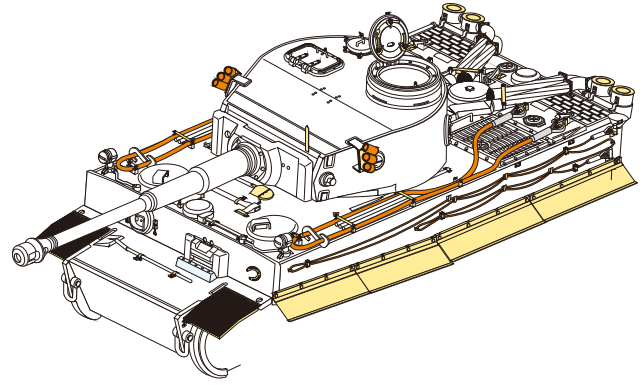
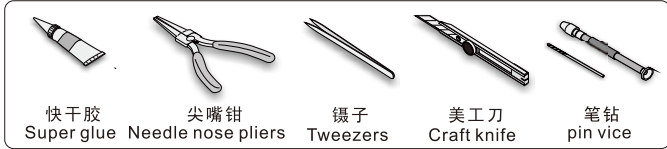
1/35 MILITARY MINIATURE VEHICLE UPGRADE SERIES PE35196

WWII German Tiger I Initial Production Afrika korp

二战德军虎I型坦克极初期型非洲军团改造件[样式2]

[For TAMIYA35227]

推荐使用工具 RECOMMENDED TOOLS



- 安装
install
- 折叠
bend
- A1**

改造件零件编号
PE/resin part number
- B12**

原零件编号
kit part number
- C22**

被替换的原零件编号
replaced kit part number
- 另一侧相同制作
repeat on opposite side
- 切除
remove
- 打磨
grind off
- 弧度卷曲
radial bending
- x2**

制作若干组
multiple assembly
- 选择安装
alternative
- 用铜管制作
make from brass tube
- 用胶棒制作
make from plastic rod

用尖端在凹槽处冲压
use penpoint to press on the dent

蚀刻片零件内侧面向上
Put the part upside down

用笔尖在凹槽处刺
Use penpoint to press on the dent

装填手舱盖
Loader's hatch

抽烟装置
Ventilator redesigned

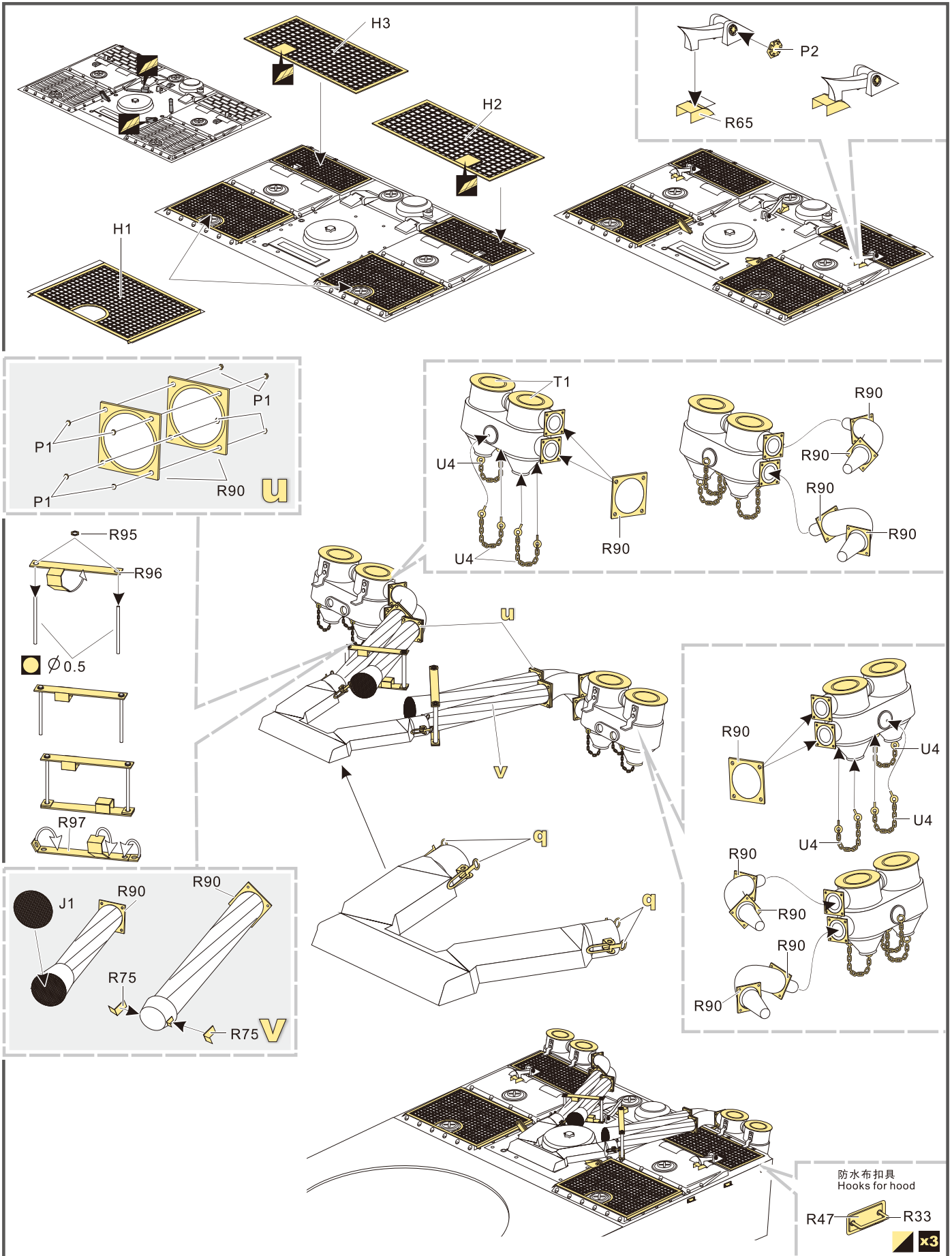
金属件
Metal part

烟幕弹发射器
Smoke candle discharger

车长指挥塔
Commander's cupola

车长瞄准指针
Direct sighting post
部分车辆使用
some vehicle use

1/35 MILITARY MINIATURE VEHICLE UPGRADE SERIES PE35196



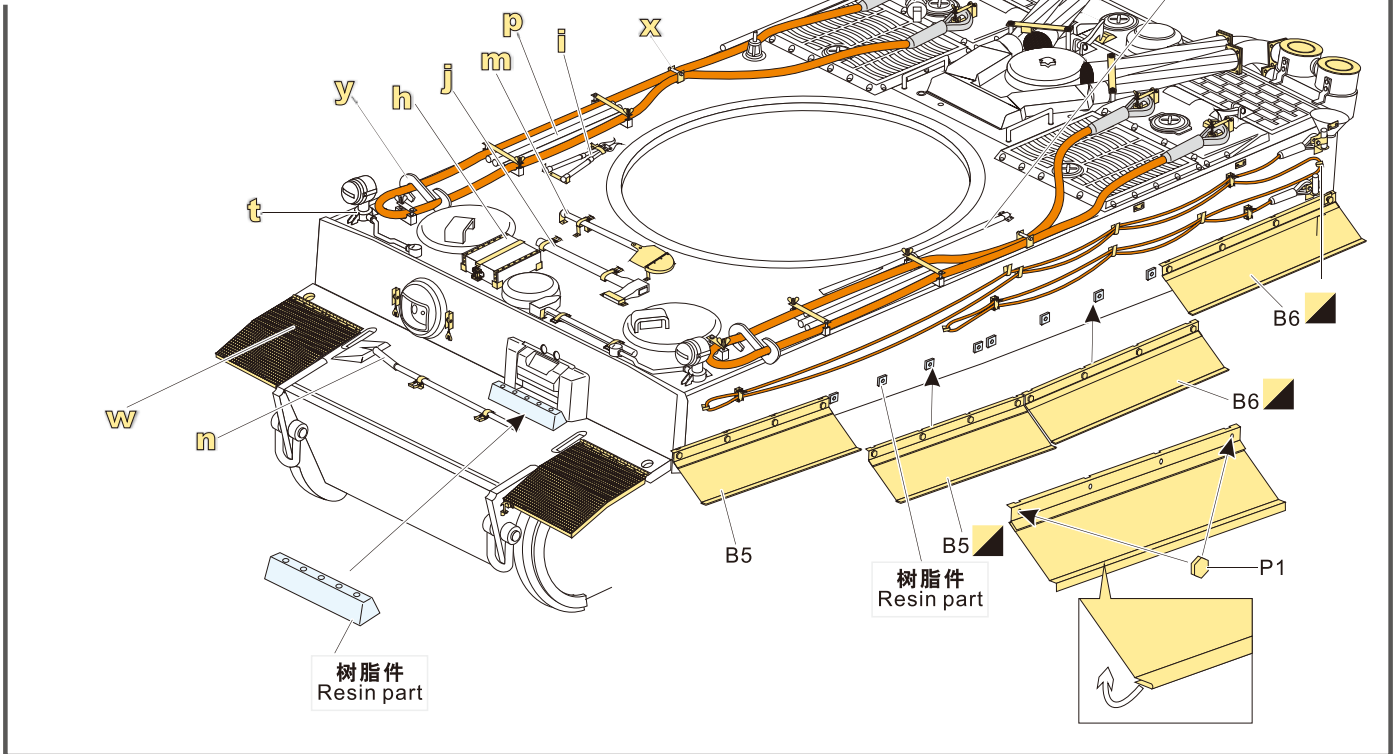
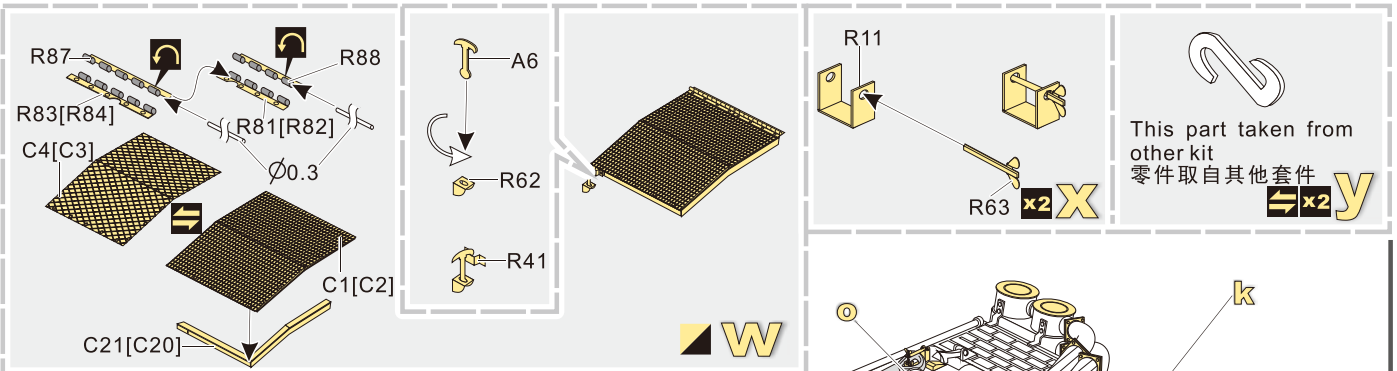
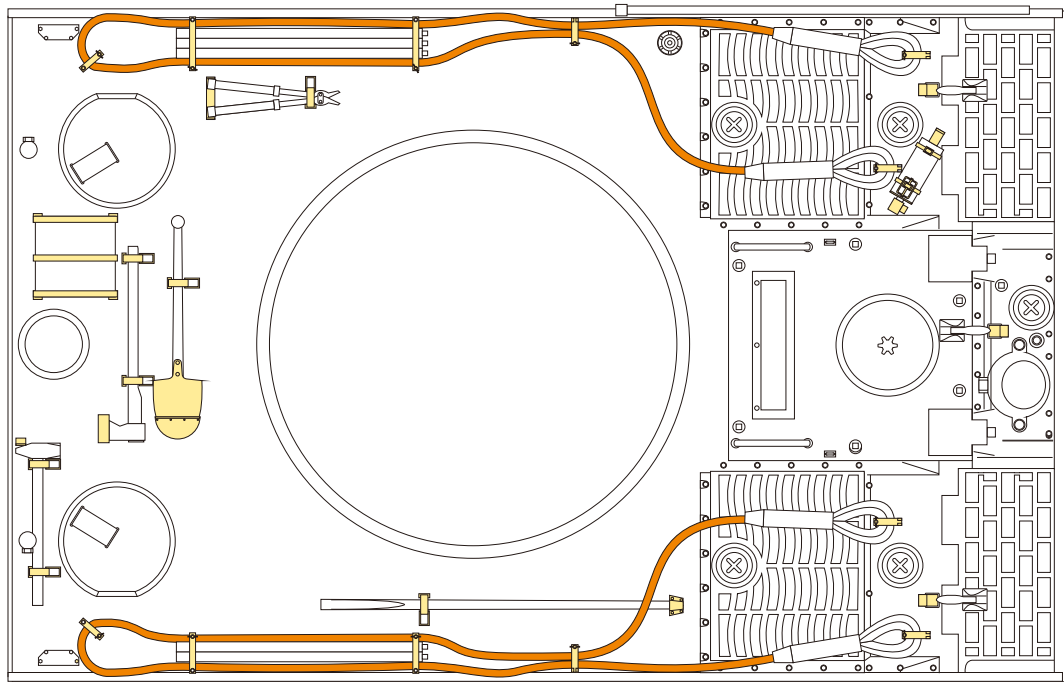
防水布扣具
Hooks for hood

R47 R33

x3

1/35 MILITARY MINIATURE VEHICLE UPGRADE SERIES PE35196

Top view
车体细节
上视图



1/35 MILITARY MINIATURE VEHICLE UPGRADE SERIES PE35196

VOYAGERMODEL® 无微不至 极致享受
The Best Upgrade Solution

Recommended item

PEA056	WWII German Tiger I Stowage bin (Afrika korp)
PEA088	WWII German Tiger I early Production Demeged Road wheels
VBS0105	WWII German Tiger I Barrel (Early Version)