

WARNING: Read Carefully!

- For ages 15 and up.
- Read all instructions before use. Only use as instructed.
- Contains small and sharp parts. Do not swallow and be careful of injury.
- Keep out of reach of small children.
- Plastic bags may cause suffocation. Do not use them to cover your head or face.
- This product is delicate. To avoid breakage, do not forcibly bend, drop, or apply too much pressure.
- The outer packaging may be damaged during transportation.
- Keep the instructions. Please contact our Customer Service Center if you have any questions or concerns.

- This assembly kit is made of turned metal.
- Assembly requires nippers, precision knives, super glue, and paint.



SUPER WING OPTIONS
Japanese Imperial Navy Interceptor
J7W1

震電 SHINDEN

J7W1 Turned Metal Machine Gun & Gas Spring Set



1/32
「震電」対応
For Shinden

ZOUKEI-MURA INC.
魚形村

SWS01-M09

企画・製造 魚形村
販売 株式会社モルタル
〒560-8862 大阪府東淀川区魚形一丁目6-0
〒575-0240 大阪府守口市魚形一丁目7-1
TEL 075-62-4003
FAX 075-62-4004
©VOLKS INC.

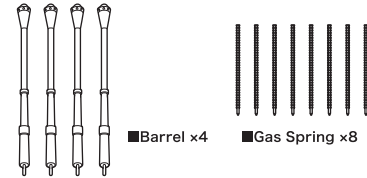
4 518992 502991

◆ Important Points for Assembly ◆

- Before opening the bag, please carefully read this instruction manual and verify that all the parts are included. Please also refer to the ZOUKEI-MURA SWS 1/32 "Shinden" Instruction Manual to use these parts.
- You will need a pin vice with a 1.0mm and 0.6mm drill bit to assemble these parts. Please see p.5 of the kit's manual.
- This set replaces the machine gun and gas spring plastic parts used in the ZOUKEI-MURA SWS 1/32 "shinden" with turned metal and resin parts. Please read these instructions as well as the kit's manual before assembling with your 1/32 "Shinden" kit.
- To affix the parts of the kit, please use instant glue. Please do not use glue dedicated to plastic models. Before painting, make a primer coat using the Metal Primer. (Without primer coat, paint may peel.)
- The recommended brand for painting your kit is the latest line of acrylic paint from Vallejo Color. Please refer to the ZOUKEI-MURA SWS 1/32 "Shinden" Instruction Manual and Imperial Japanese Navy historical manuals to paint the model with the coloring of your choice.
- When assembling, adjust the installation angle of each part from the overall balance of the kit.

※When it comes time to use tools and paints, please carefully follow the individual instructions respective to each tool for your safety.

Chart of Included Parts



■ Barrel x4 ■ Gas Spring x8

We take the utmost of care when overseeing manufacturing, but if your kit is among the very small percentage that contains a defective part, please contact customer service within two weeks of your purchase with your full name and order number.

Purchasers from VOLKS Japan International Web Site:
Please contact imos@volks.co.jp.
Purchasers from VOLKS USA:
Please contact service@volksusa.com.

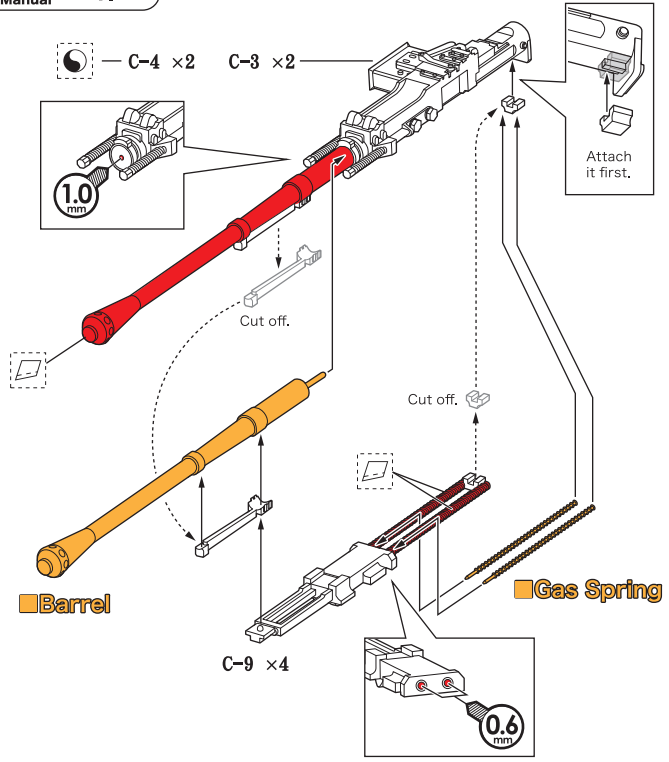
Colors Used in the Instructions

- Parts of the Kit.
- Turned metal parts.
- Cut off this area.

Marks Used in the Instructions

- ☉ Do the same for left and right.
- Cut off.
- 1.0 Hole location and hole diameter.

1/32 Shinden Instruction Manual p.16 **4 × 30mm Machine Guns**



Attach it first.

Cut off.

Cut off.

Cut off.

1.0 mm

0.6 mm