



Douglas DC-3 DDA "PH-PBA" last scheme *(designed for 1/72 scale)*

INTRODUCTION

The Dutch DC-3 registered PH-PBA became soon after the Second World War a The Netherlands Government aircraft. Originally this plane was rolled out of the Douglas factory in Long Beach, California on January 11, 1944 (as DC-3C-S1C3G serial 19434). It was built for the U.S. War effort and moved to Europe in early 1944. On June 6, 1944 this aircraft took part in a night operation in over 350 DC-3's dropped more than 6,000 paratroopers over Normandy in "Mission Boston", some five hours before the D-Day "Overlord" landings. It had USAAF code 42-100971 and invasion stripes. Some three months later, the aircraft was used in the airborne landings above The Netherlands during operation "Market Garden", towing gliders and dropping paratroopers. It was used also from the provisional "Keent strip" near Grave in The Netherlands. At the end of the hostilities in Europe May 1945, it went into USAAF storage at Oberpfaffenhofen in wat later would be West-Germany.

Beginning 1946 Prince Bernhard of the Dutch Royal family bought the plane for 50,000 dollars. It was civilian registered for use by the Prince as inspector-general of the Dutch Armed Forces as PH-PBA "Prince Bernhard Alpha". From February 1947 it was owned by the Rijksluchtvaartdienst (RLD) as the first Dutch Government aircraft. End 1947 Prince Bernhard obtained his flying license for the type and flew frequently PH-PBA himself. In 1950 the plane was transported on board the Dutch aircraft carrier "Karel Doorman" to the Dutch Antilles for the traditional navy visit to "de West" and flown in the Caribbean and after that transported back. March 1961 PH-PBA was replaced as Government aircraft by the Fokker F-27 Friendship PH-PBF. But PH-PBA continued to fly with the RLD to test airport aviation systems in a new paint scheme. In 1975 it was retired and displayed at museum Aviodome at Schiphol airport in a KLM scheme.

In 1996 the Prins Bernhard Alpha Society was founded with the aim of returning the old PH-PBA to flying condition. It went for extensive refurbishment to Air Atlantic technical services in the U.K. and the astrodome was removed. November 1998 it was restored and the Dutch Dakota Association (DDA) operated PH-PBA through "DDA Classic Airlines". It flew many sight seeing flights and was seen at many air shows in Europe. December 2010 PH-PBA was given the name "Princess Amalia". Beginning of 2018 it was repainted in a former Dutch Government scheme (being the current scheme as provided in this sheet).

MODEL KITS

In 1/72 scale several C-47 / DC-3 plastic model kits have appeared over the years. Many of these have some inaccurate shapes. The latest Airfix 1/72 kits C-47A kit #A08014 or Dakota #A08015 are very nice. Note that the PH-PBA flew without the rear tail cone fairing and later the roof astrodome was removed.

DECAL SYSTEM and APPLICATION

The decal sheet has ONE continuous print film, so EACH decal needs to be cut out with fine scissors. No other prior laserprinted decal preparation is needed. Each cut out decal can be applied as usual after soaking it a short while in water. Decals are EXTREMELY THIN, so slide off from the wet backing sheet on the model surface. Do not use tweezers! They will fold doubled!

After all decals have been applied, finish the model with your preferred final gloss or semi-matt varnish coats. This will also protect the decals.

DC-3 "PH-PBA" PAINTING AND DECALS

The current PH-PBA scheme is provided (very similar to the very early scheme). The decals provide two ways to apply the red-white-blue cheatlines: with or without the white portions. It is up to the modeller which to use. Note that there are very thin gold-yellow boundaries at the cheatlines. The cheatlines "with window cut outs" are designed for the latest 1/72 Airfix DC-3 / C-47 kit; note that right cheatline (with 7 windows) and left (with 6 windows) have slightly different spacing between the rear windows. For the modeller that wants to build another DC-3 kit, spare cheatlines and separated window squared markings are provided, these can be applied as suitable for the kit. Windows can be suggested with two grey decals rows: right "7 windows" / left "6 windows" with correct spacing.

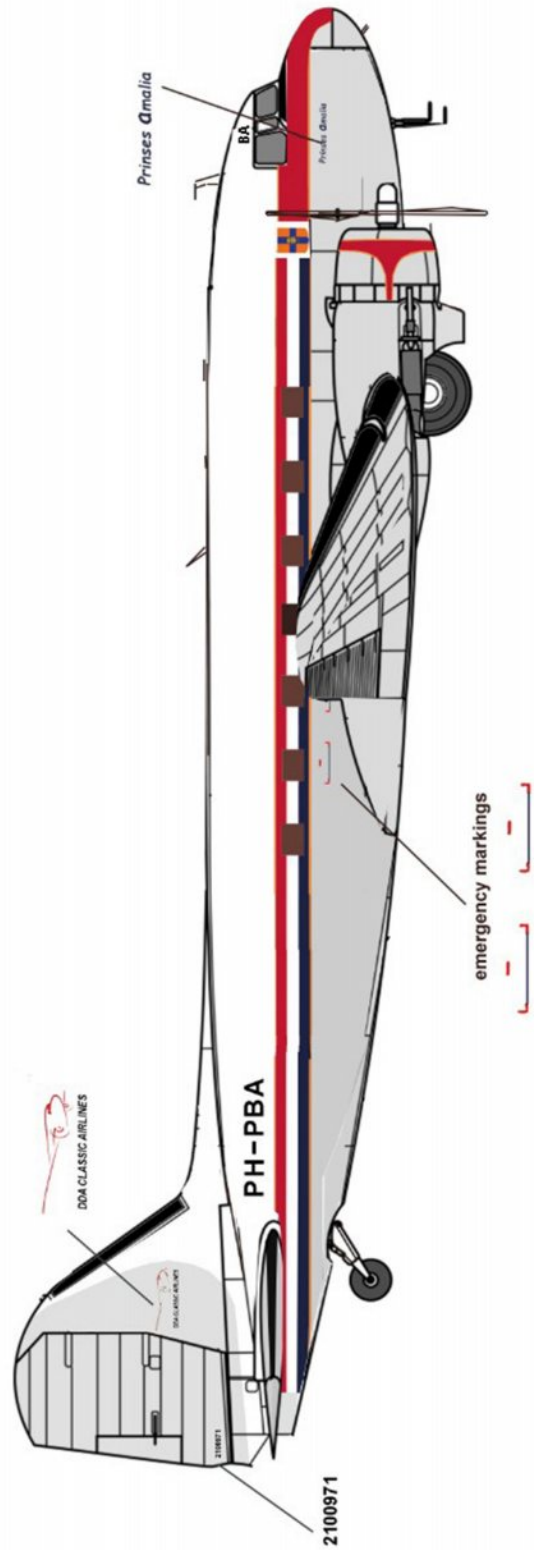
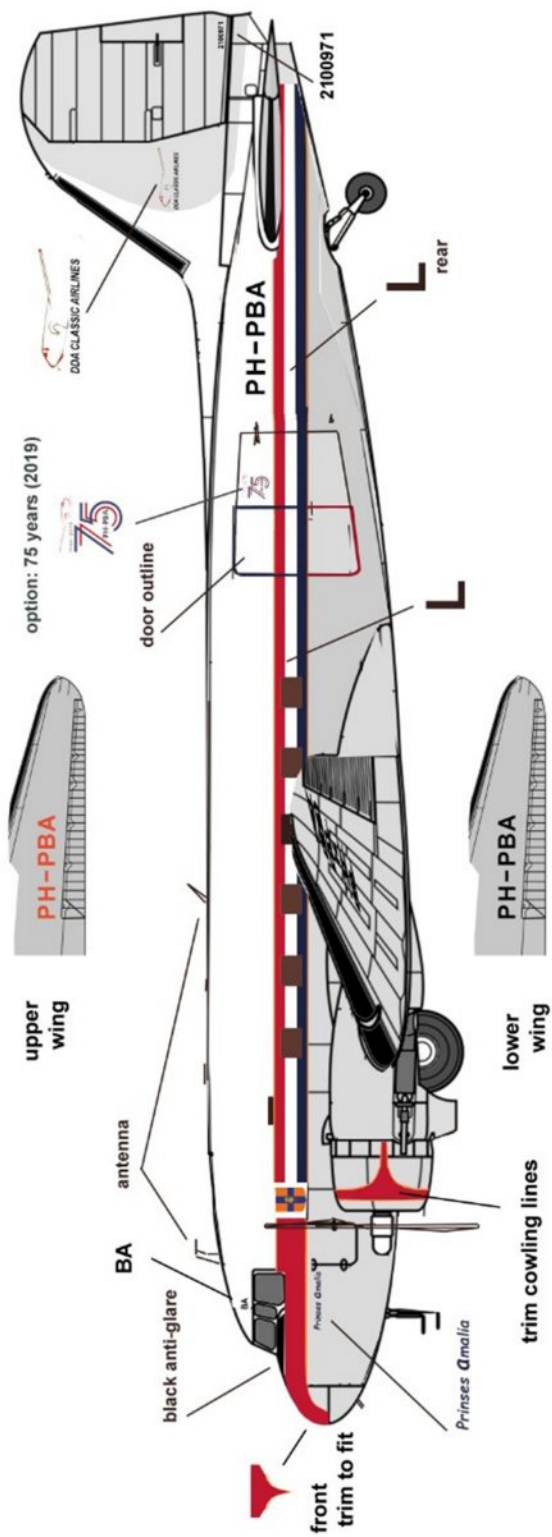
Cockpit interior is light grey as is the cabin interior with blue upholstered passenger seats. The upper fuselage top and sections of the vertical tail are gloss white. Paint remainder light dull (mat) aluminium: curved sections of the vertical tail, lower fuselage areas below the cheatlines, complete wing, cowlings and stabilizers. Note also black anti-icing leading edges at wing, tail and stabilizers.

After painting, apply the decals: begin with the center decals at the windows rows and align (marked "R" for right starboard side and "L" for port left side). Next apply the rear cheatlines decals ("R rear" and "L rear"). As the needed lengths may vary per kit used, measure and adjust each length.

The red nose cheatlines "L nose" and "R nose" need some trimming, a nose decal "front" is also provided. Paint a black anti-glare panel in front of the cockpit windscreen or use the two black decals. Set the port passenger cabin door decals over the fuselage cheatline. (The 75 years marking aft of this door is optional and carried in 2019).

At the wing the large upper starboard registration is red-orange and black at lower wing. Red lines on both engine cowlings are provided as decals and situated at both inboard and outboard cowling areas; they may need trimming. Note front cowling edges are aluminium. Add black walk way lines at wing roots from kit, these run parallel to the wing roots.

The propellers are natural metal with yellow tips with prop markings as per kit. Add a few different antennas and the lower nose pitot tubes.



PH-PBA in black at lower port wing and **PH-PBA** in orange upper starboard wing (starting at inboard aileron edge)

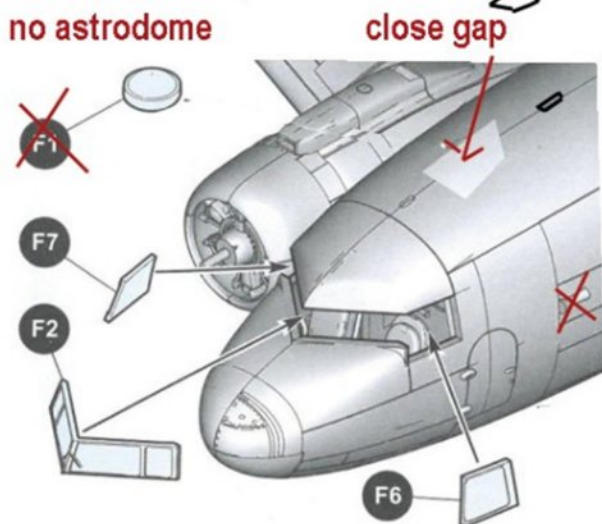
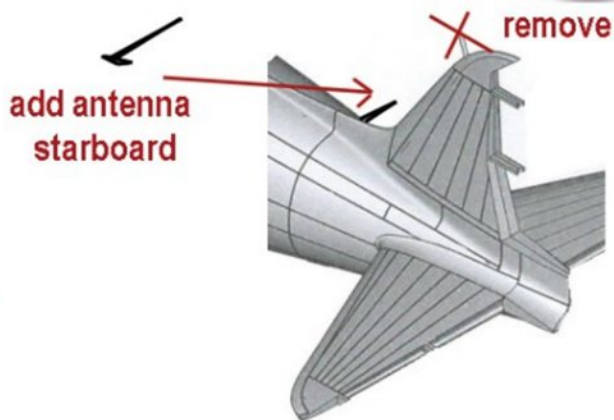
Please visit website: www.aircraftinplastic.com



© copyright 2024

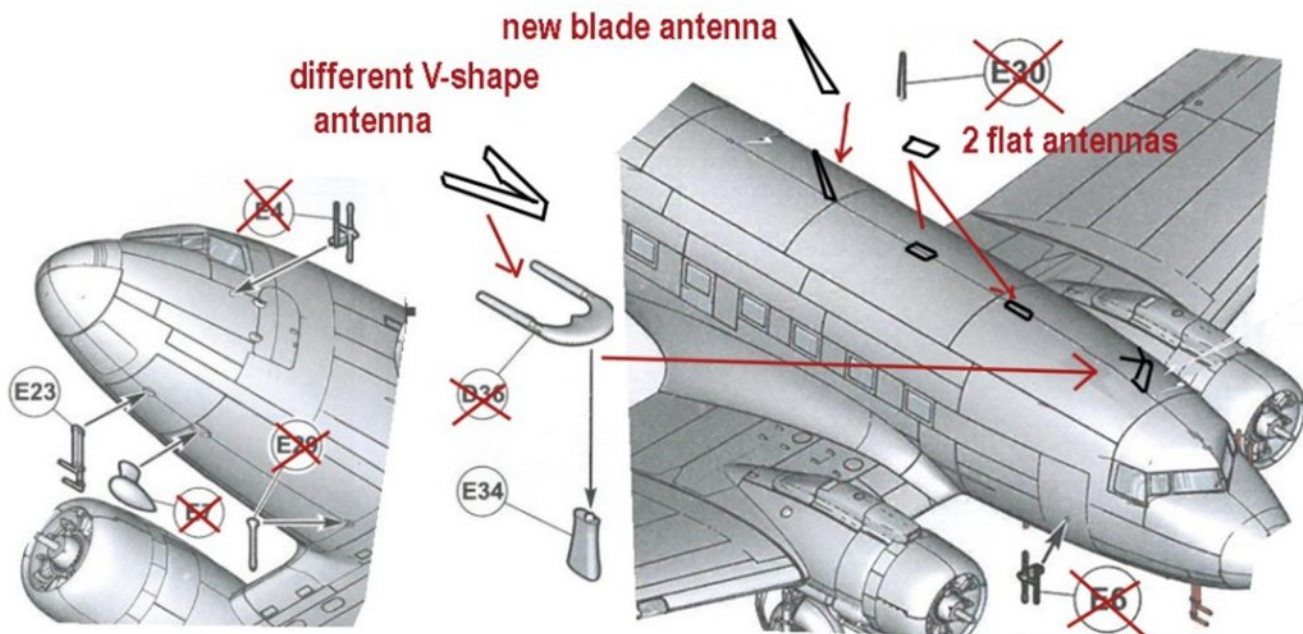
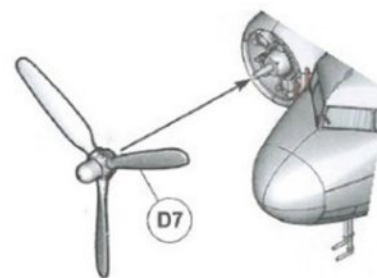
AIRFIX DC-3 C-47 1/72

kit A07005 / A08014 / A0805A / A08014 / A09008



CABIN INTERIOR has passenger seat (no para seats)
But not clearly visible

sand flat



SUGGESTED MODIFICATIONS AIRFIX KIT PH-PBA in latest scheme