

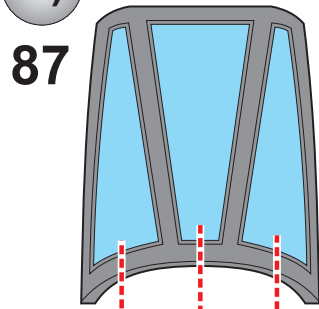
eduard
MASK

Tornado IDS/GR.Mk.1 1/72

The die-cut mask for accurate canopy frame painting of the
Revell
scale 1/72 KIT

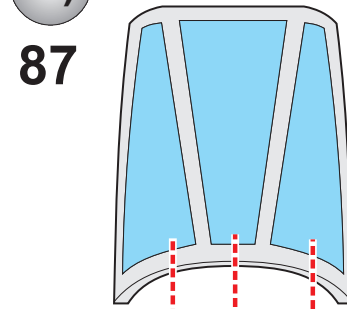
CX 163

1.) RUBBER
COLOR



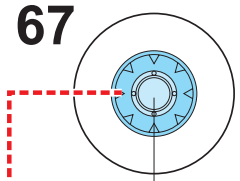
87

2.) CAMOUFLAGE
COLOR



87

2x

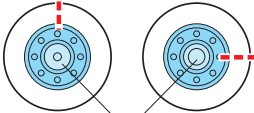


67

LIQUID
MASK

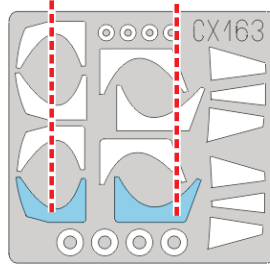
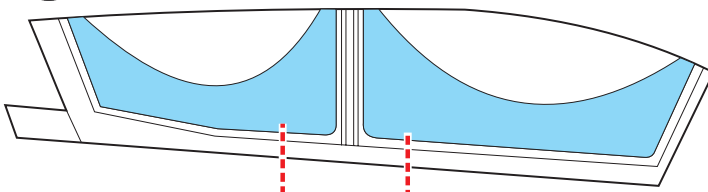
67

2x



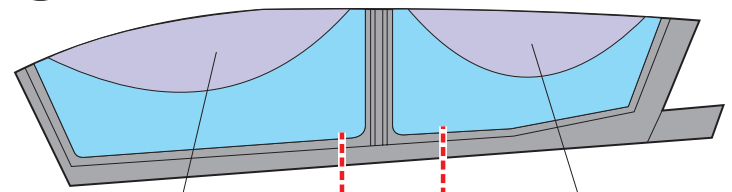
59 LIQUID MASK 59

1.) 86



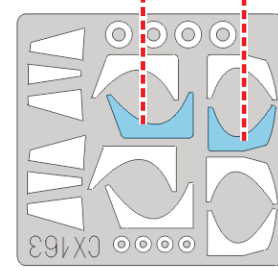
2.) 86

RUBBER COLOR

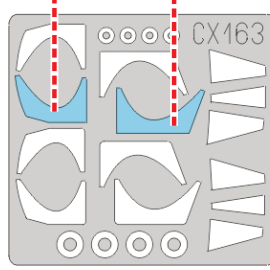
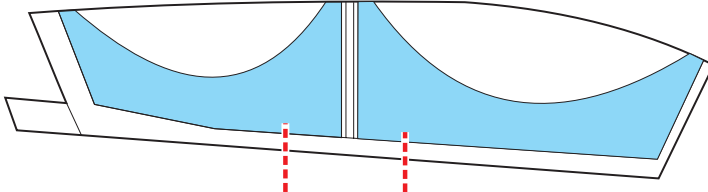


LIQUID
MASK

LIQUID
MASK

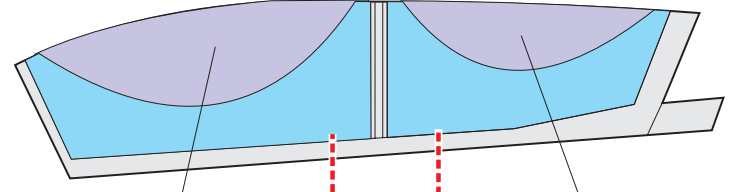


3.) 86



4.) 86

CAMOUFLAGE COLOR



LIQUID
MASK

LIQUID
MASK

