



US F-106A Delta Dart

美国F-106A“三角标枪”截击机

READ BEFORE ASSEMBLY:

- Study and understand these instructions thoroughly before beginning assembly
- When needed, remove photo-etch parts carefully using a modeling knife or photo etch sprue cutter, being careful not to damage or lose small parts.
- Take extra care in handling photo etch parts in order to avoid injury
- Apply instant cement sparingly to photo etch parts where instructed

- Tools recommended(not included in kit):Plastic and instant cements,sprue cutters,long nose pliers,modeling knife, small files, tweezers, pin vise & scissors. Soft cloth and sandpaper will also assist in construction
- Glue and paint are not included in the kit. Use plastic cement and hobby paints only. Color guide for purchasing paint is included in the kit.

装配之前仔细阅读

- 小心用模型修刀修平所有零件表面的注塑浇口。
- 小心用刀片切下蚀刻片零件。不要遗失小零件。
- 用强力的快干胶水粘合蚀刻片零件和金属轴。过量快干胶水使用可能导致可动零件会粘住，小心涂胶。
- 取蚀刻片时应特别注意安全，防止利刃划伤手指。
- 某些零件表面需贴水贴纸，请选择在装配的同时进行。
- 推荐模型工具(自备)：胶水、水口剪刀、长镊子、刀片、锉刀、镊子、钳、钻、剪刀、瞬间快干胶。
- 软布同砂纸同时也应该是必备工具。
- 请使用塑料胶水和油漆，模型内不含。

水贴纸的使用:

1. 从水贴纸上剪下印花;
2. 将印花放入温水中浸10秒, 然后放在干净布上;
3. 拿着印花纸板将印花移到模型上;
4. 手指蘸水将印花移到适当的位置;
5. 用软布轻压印花直至水平。气泡消失。

DECAL APPLICATION:

1. Cut decals from sheet as needed
2. Dip the decal in warm water for about 10 seconds and then place on soft clean cloth.
3. Hold the decal backing sheet edge and gently slide the decal onto the model in its proper position.
4. While still wet, decal can be adjusted for better fit on model by dampening it gently with your finger.
5. When placed in the proper position, gently press decal down with a soft cloth until excess water and air bubbles are gone.
6. Allow decal to dry completely before handling model



photo-etch parts

选项



glue

不用胶水



make hole

钻孔



cut / remove

切割



option

选择



no cement

不用胶水



decal

贴纸



bend

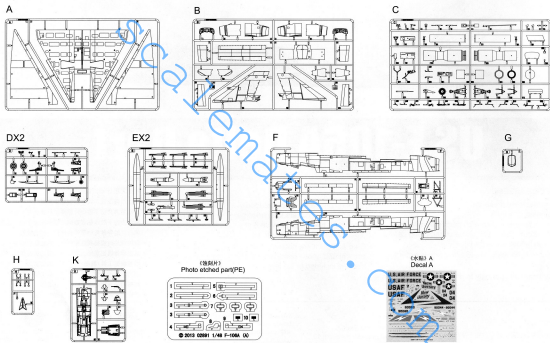
弯曲



file / sand

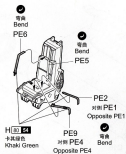
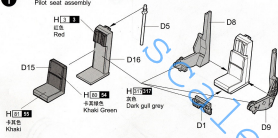
锉平

部品图
Parts



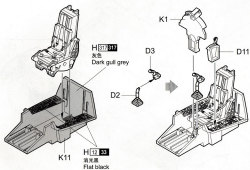
1

座椅的组装
Pilot seat assembly



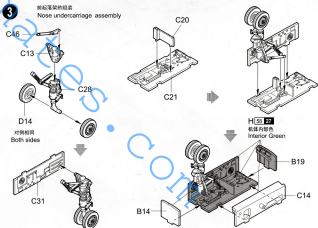
2

座舱的组装
Cockpit assembly

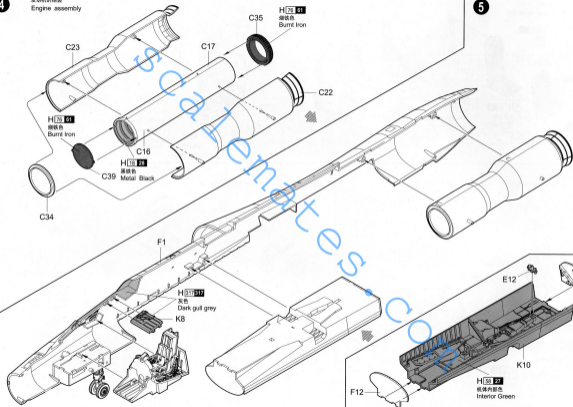


3

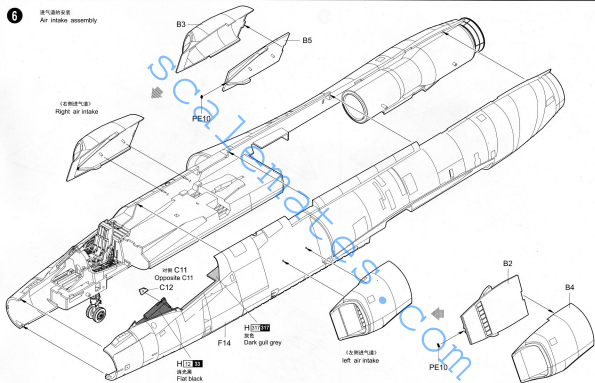
机头起落架的组装
Nose undercarriage assembly



4

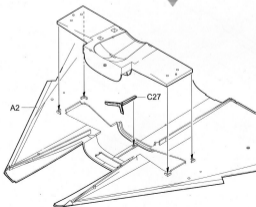
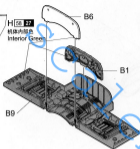
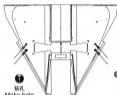
发动机总成
Engine assembly

5

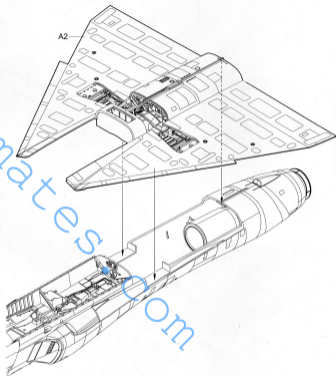


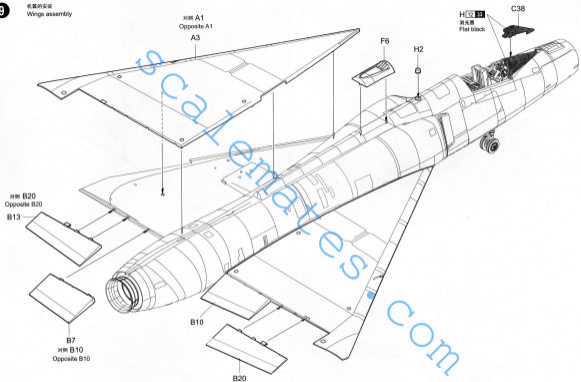
7

主艙的組裝
Main gear cabin assembly



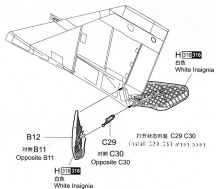
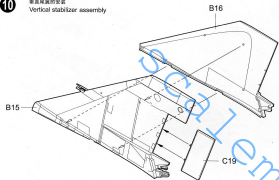
8



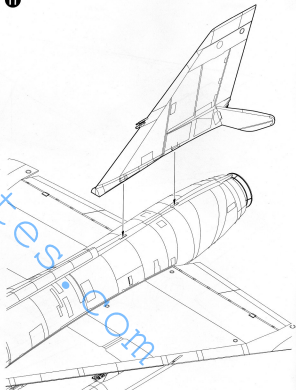


10

垂直稳定器的安装
Vertical stabilizer assembly

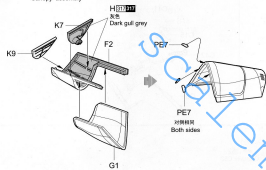


11



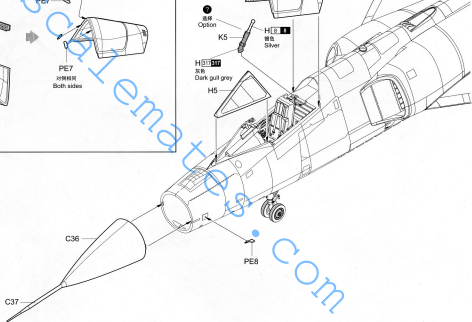
12

座舱盖的组装
Canopy assembly



13

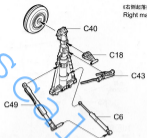
座舱盖的打开/关闭
Open / Close



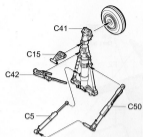
制作2组
Make two



《右侧起落架》
Right main Undercarriage

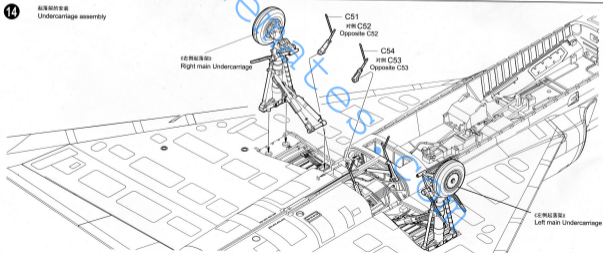


《左侧起落架》
Left main Undercarriage

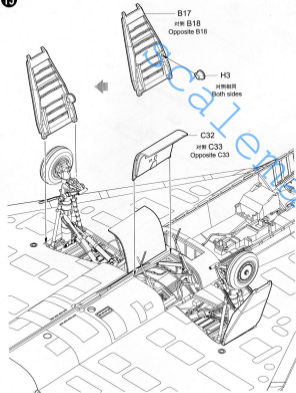


14

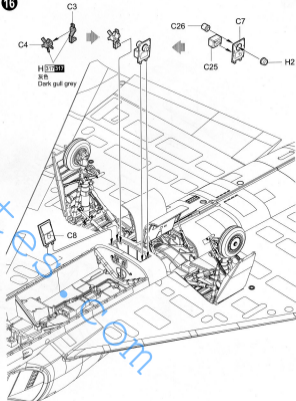
起落架的安裝
Undercarriage assembly

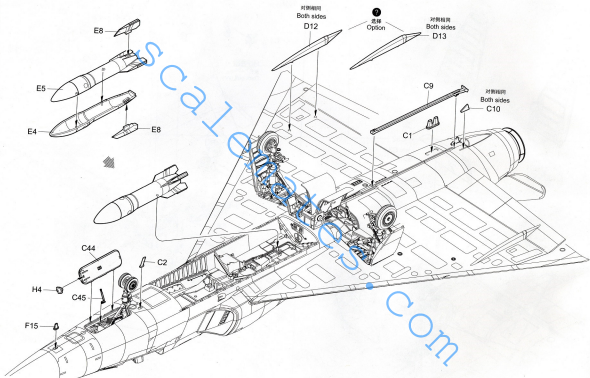


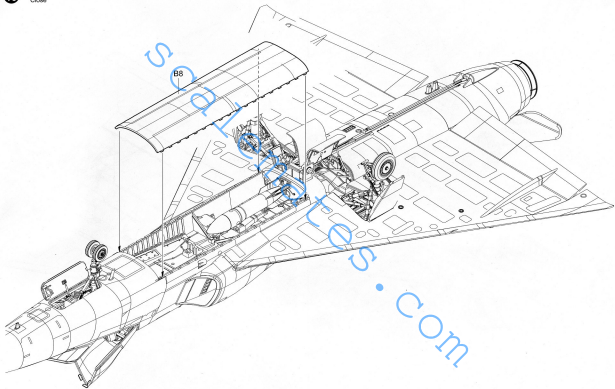
15



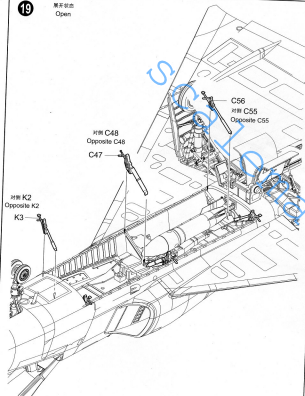
16



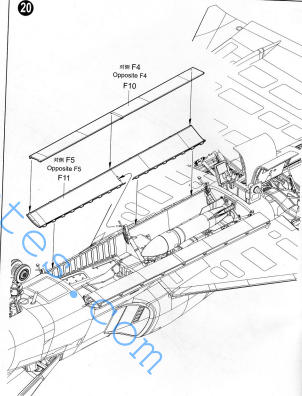




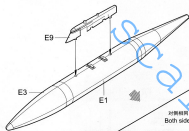
19

機体状態
Open

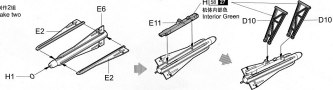
20



02828
Make two



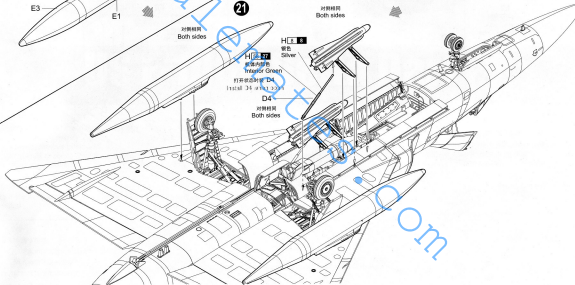
02828
Make two



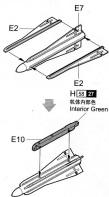
21

02828
Both sides

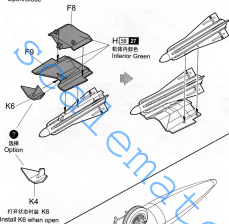
H11
银色
Silver
H11
内饰绿色
Interior Green
打开并安装 D4
Install D4 on both sides
D4
02828
Both sides



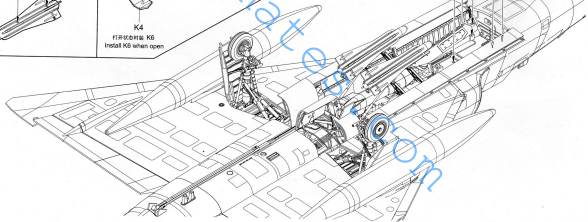
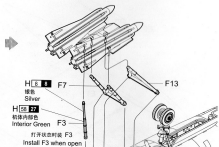
制作2组
Make two



展开/闭合状态
Open/Close



22

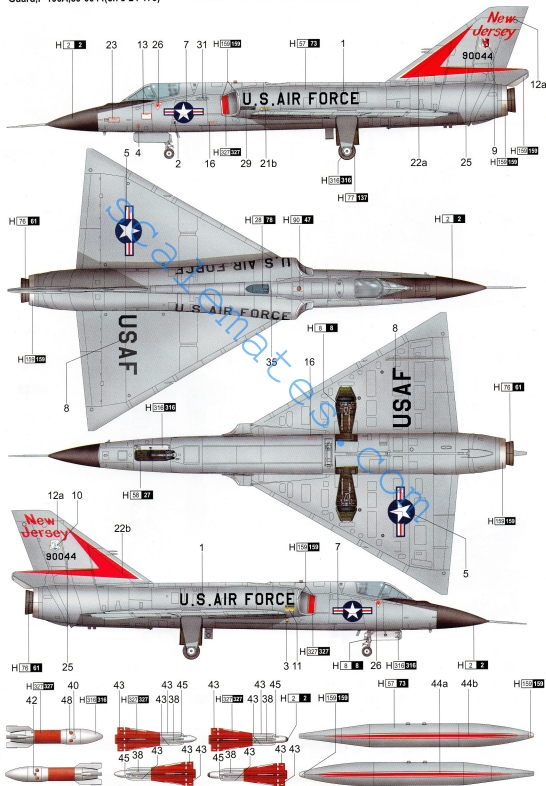


涂装同标贴指示 Painting & Marking guide

A US Air Force, 119th Fighter-Interceptor Squadron, 177th Tactical Fighter Wing "Jersey Devils", New Jersey Air National Guard, F-106A, 59-0044 (cn 8-24-173)

PAINT REFERENCE COLOUR					
Color	Mr.Hobby	Vallejo	Model Master	Tamiya	Humbrol
1 灰白 Aircraft Gray	H[2] 73	—	—	—	—
2 黑 Black	H[2] 2	861	1747	X1	Z1
3 银 Silver	H[8] 8	997	1946	X11	11
4 铝合金 Anodized Aluminum 自然色 Natural Color	H[58] 27	—	—	—	—
5 天蓝 Type Blue	H[72] 137	—	—	—	—
6 超级银 Super Silver	H[59] 159	—	—	—	—

PAINT REFERENCE COLOUR					
Color	Mr.Hobby	Vallejo	Model Master	Tamiya	Humbrol
7 红 Red	H[78] 61	863	1795	X10	53
8 白 White	H[51] 316	991	1745	X2	22
9 橘 Orange	H[52] 327	957	1705	XF7	153
10 绿 Green	H[59] 43	—	—	X27	—
11 蓝 Blue	H[52] 320	—	1716	XF17	189
12 黑 Black	H[2] 73	950	—	—	—



□ AQUEOUS HOBBY COLOR ■ Mr. COLOR

涂装同标贴指示

Painting & Marking guide

B US Air Force, 125th Fighter Wing,
Florida Air National Guard, F-106A,
59-0060/04 (cn 8-24-189)

PAINT REFERENCE COLOUR

	Color	Mr.Hobby	Vallejo	Model Master	Tamiya	Humbrol
1	军机 Aircraft Grey	H[57 73]	-	-	-	-
2	黑 Black	H[2 2]	881	1747	X1	21
3	银 Silver	H[15 8]	997	1548	X11	11
4	银蓝色 Infrared Green	H[53 27]	-	-	-	-
5	军机色 Tussock	H[77 137]	-	-	-	-
6	银蓝色 Super Silver	H[55 159]	-	-	-	-

PAINT REFERENCE COLOUR

	Color	Mr.Hobby	Vallejo	Model Master	Tamiya	Humbrol
7	蓝色 Dark Blue	H[76 61]	893	1795	X10	53
8	白 White	H[12 116]	991	1745	X2	22
9	红色 Imperial Red	H[52 527]	957	1705	X07	153
10	军机色 Chap. Steel	H[53 47]	904	-	X27	-
11	蓝色 Blue	H[52 525]	-	1719	XF17	189
12	军机色 Metallic Blue	H[20 30]	950	-	-	-



□ AQUEOUS HOBBY COLOR ■ Mr. COLOR