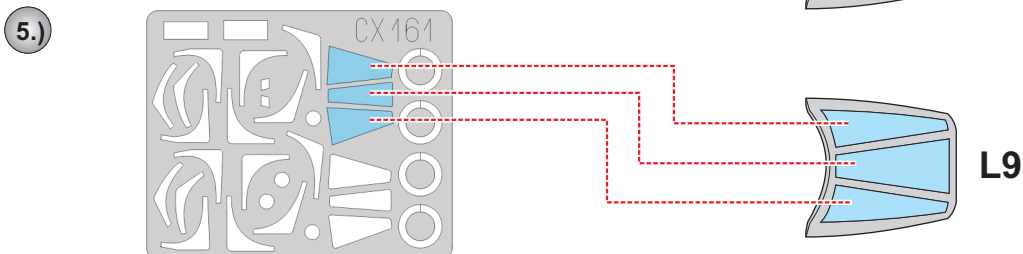
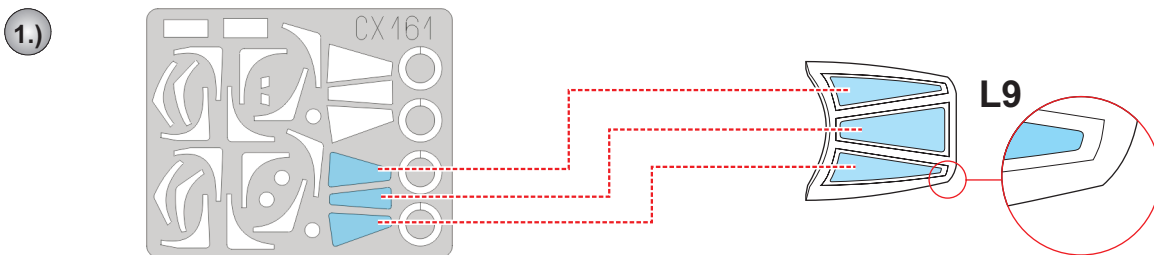
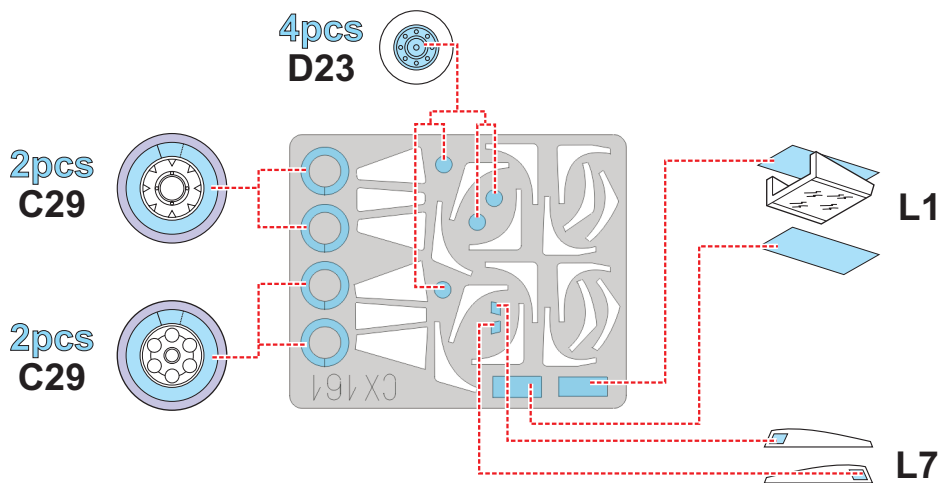
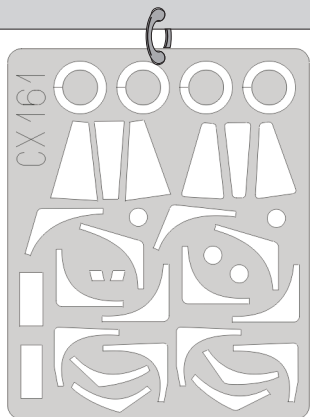


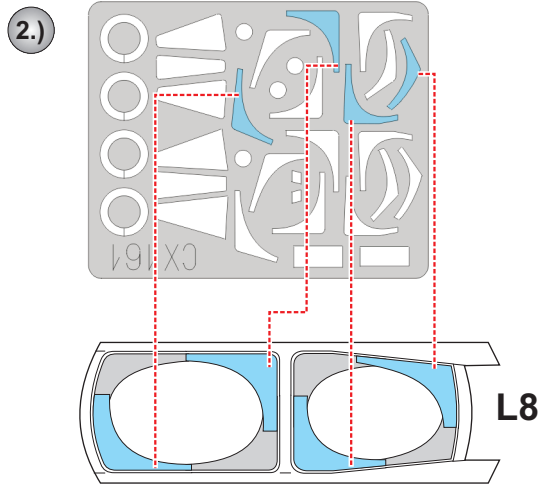
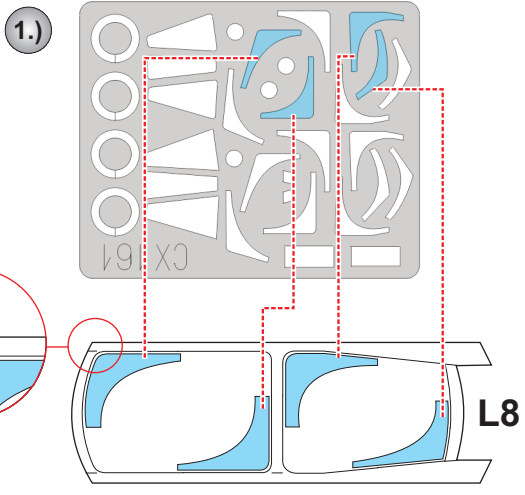
eduard
MASK

CX 161

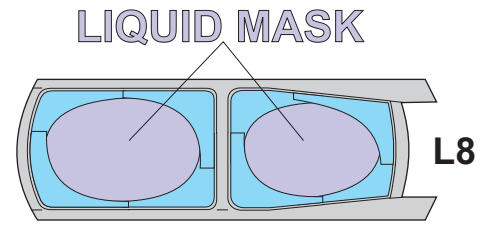
Tornado 1/72

The die-cut mask for accurate canopy frame painting of the
Hasegawa scale 1/72 KIT

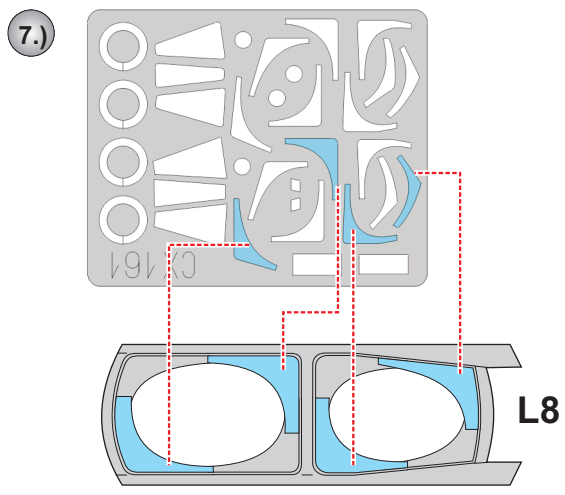
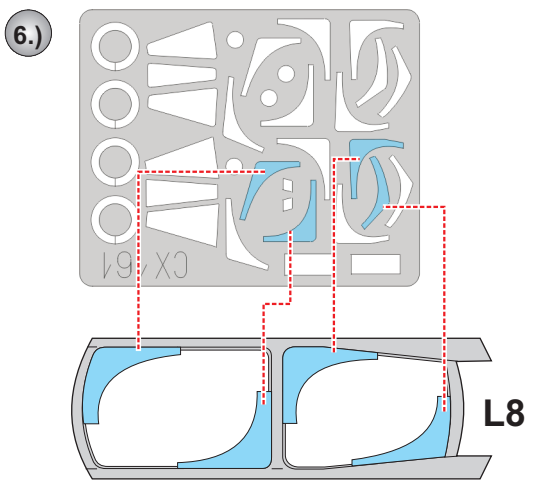
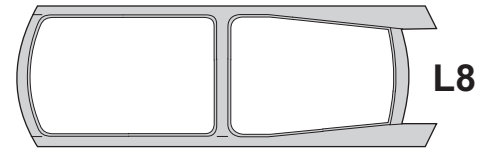




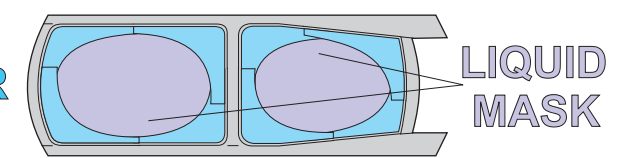
- 3.) INTERIOR COLOR
- 4.) RUBBER COLOR



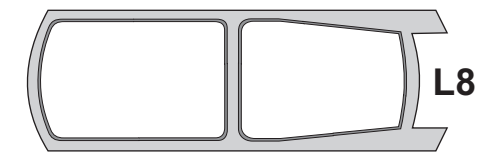
5.) REMOVE MASK



- 8.) CAMOUFLAGE COLOR



9.) REMOVE MASK



REFERENCES: Aeroguide # 4 - Tornado
 Aeroguide # 24 - Tornado IDS
 Replic # 15/1992
 Replic # 105/2000