

M53 155mm Self-Propelled Gun

M53 155毫米自行加农炮

READ BEFORE ASSEMBLY:

装配之前仔细阅读

- Study and understand these instructions thoroughly before beginning assembly
- When needed, remove photo-etch parts carefully using a modeling knife or photo etch sprue cutter, being careful not to damage or lose small parts.
- Take extra care in handling photo etch parts in order to avoid injury
- Apply instant cement sparingly to photo etch parts where instructed
- Tools recommended(not included in kit):Plastic and instant cements, sprue cutters,long nose pliers,modeling knife, small files, tweezers, pin vise & scissors. Soft cloth and sandpaper will also assist in construction
- Glue and paint are not included in the kit. Use plastic cement and hobby paints only. Color guide for purchasing paint is included in the kit.

- 小心用模型锉刀锉平所有零件表面的注射浇口。
- 小心用刀片切下蚀刻片零件，不要遗失小零件。
- 用强力快干胶水粘合蚀刻片零件和金属轴。过量快干胶水使用可能导致可动零件会粘住，小心涂胶。
- 取蚀刻片时应特别注意安全，防止利边划伤手指。
- 某些零件表面需贴上水贴纸，请选择在装配的同时进行。
- 推荐模型工具(自备)：胶水，水口剪刀，长咀钳，刀片，锉刀，镊子，钳，钻，剪刀，瞬间快干胶。
- 软布同砂纸同时也是所需工具。
- 请使用塑料胶水和油漆，模型内不含。



使用强力胶
Cyanoacrylate glue



配重
Weight



钻孔
Make hole



切除
Cut / Remove



贴纸
Decal



锉平
File / Sand



选择
Option



不涂胶水
No cement



弯曲
Bend



先装
Install it first



填补
Repair

水贴纸的使用:

- 1.从水贴上剪下印花;
- 2.将印花放入温水中浸10秒, 然后放在干净布上。
- 3.拿着印花纸板将印花移到模型上;
- 4.手指蘸水将印花移到适当的位置;
- 5.用软布轻压印花直至水干, 气泡消失

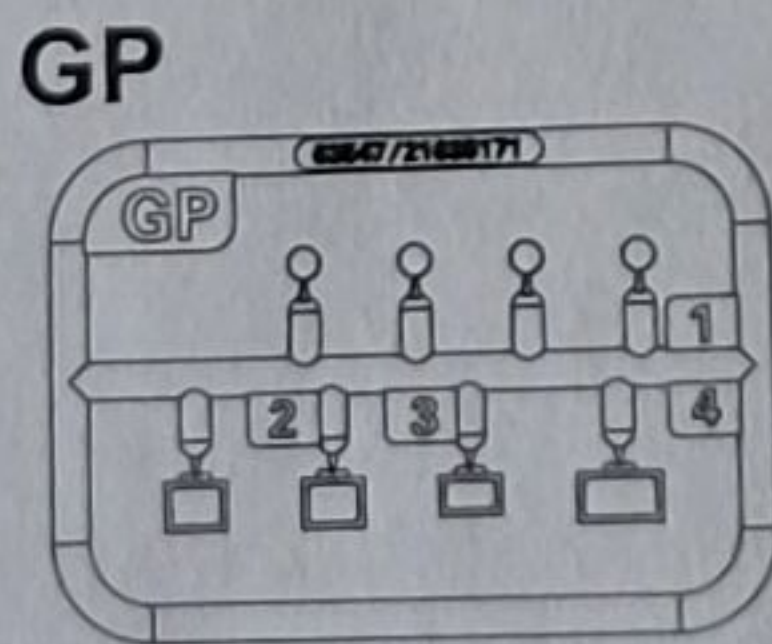
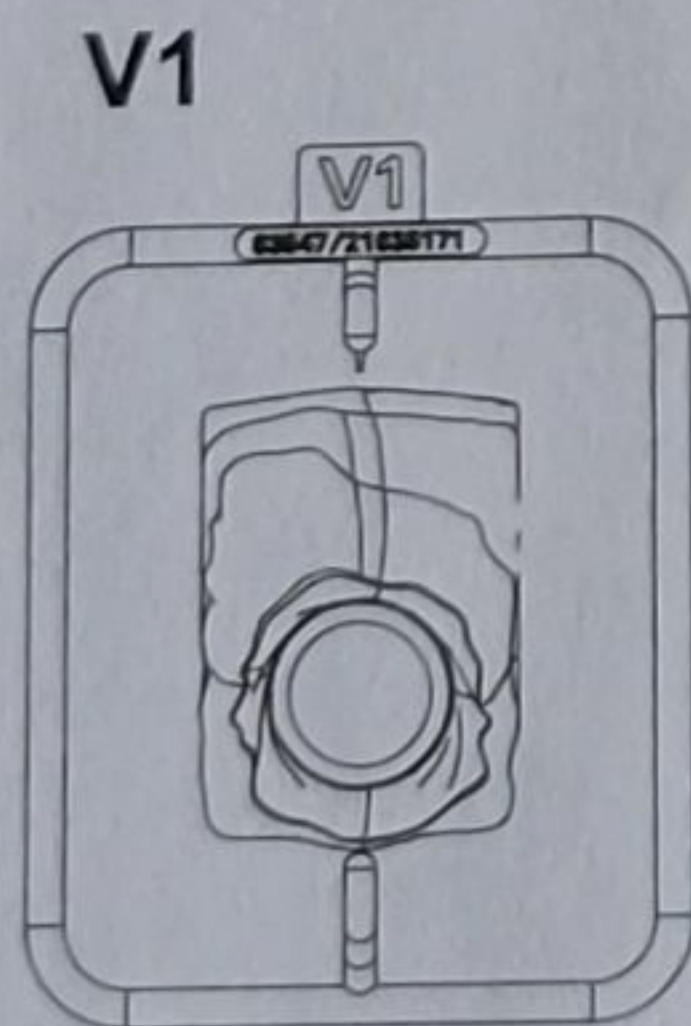
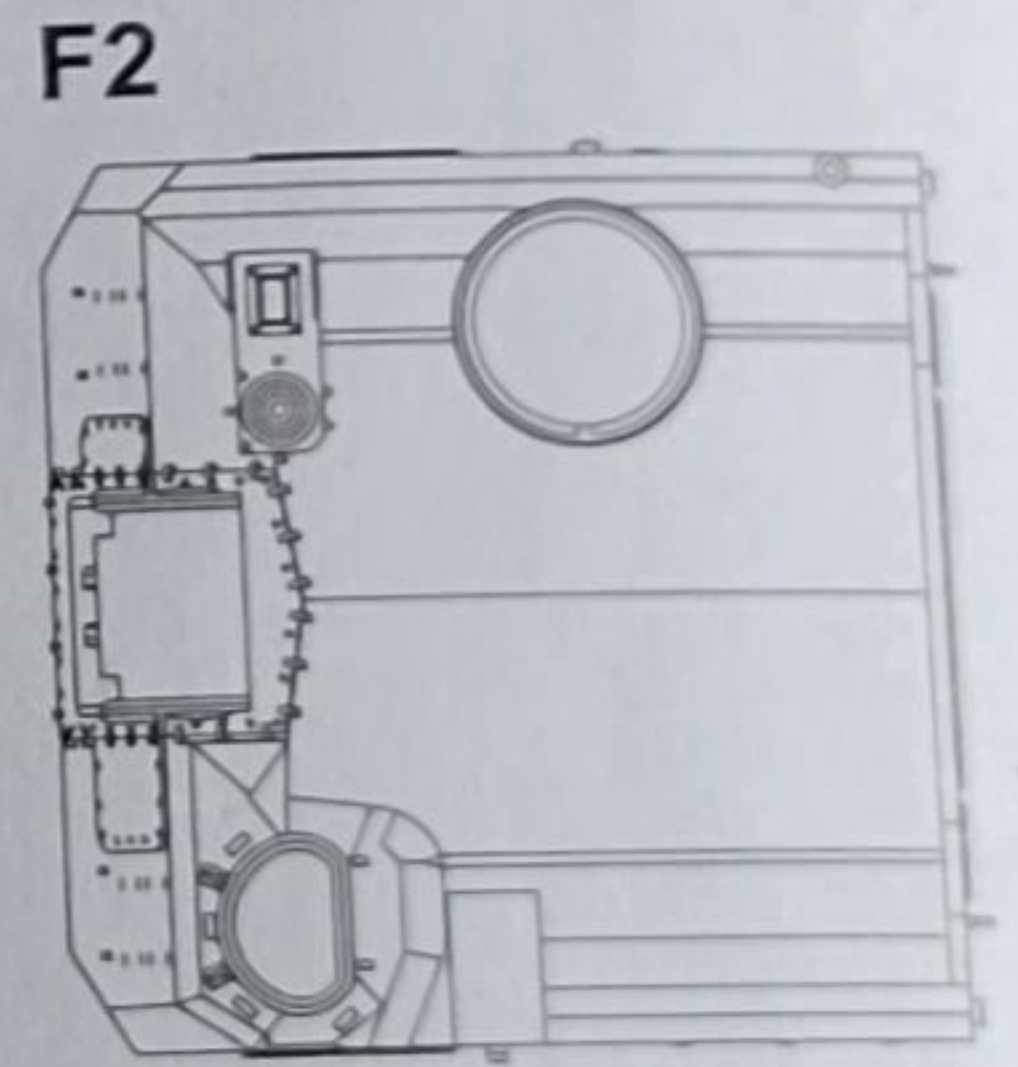
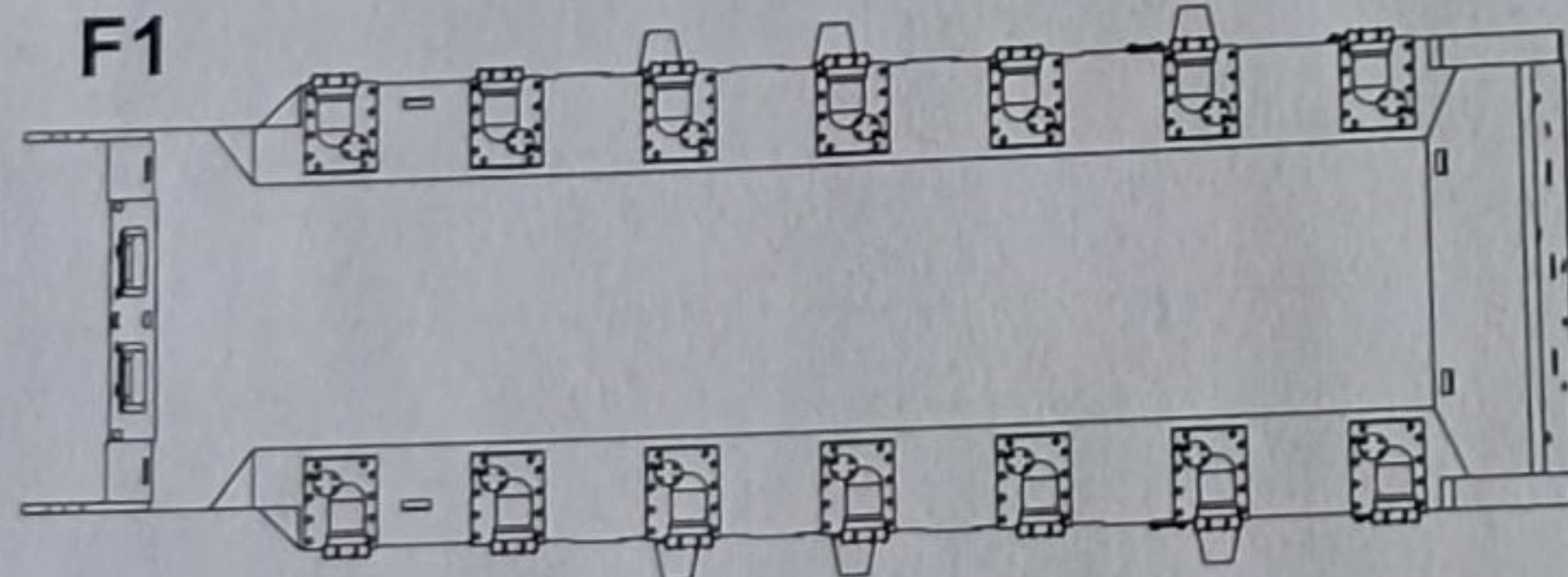
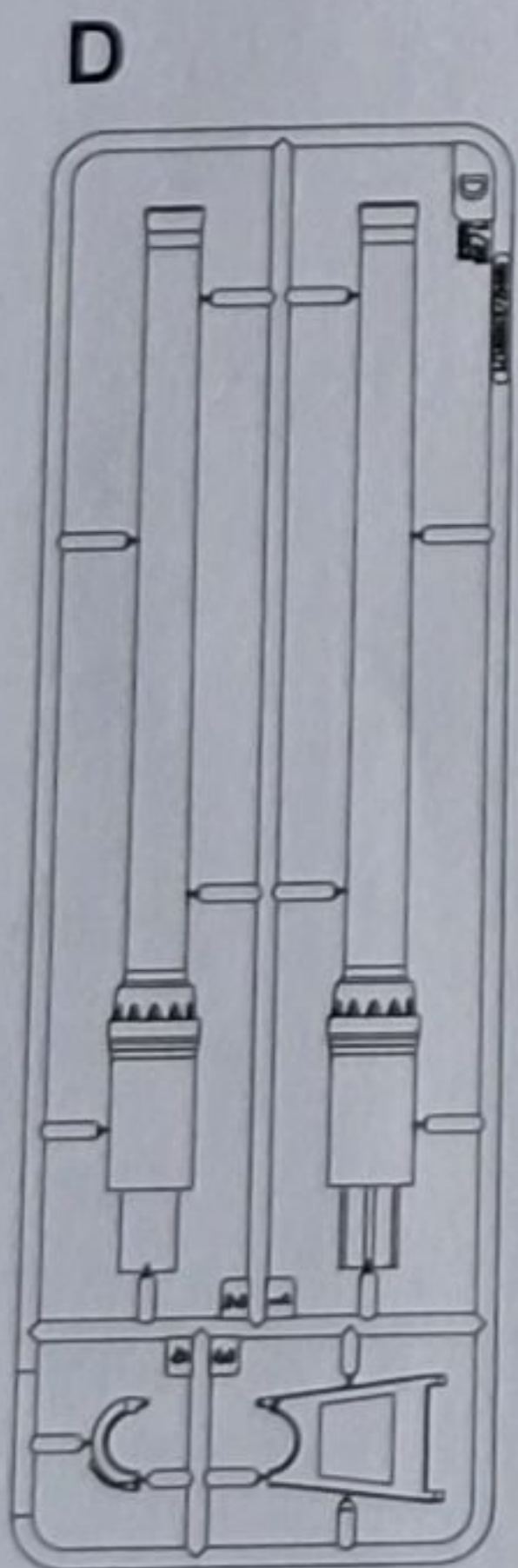
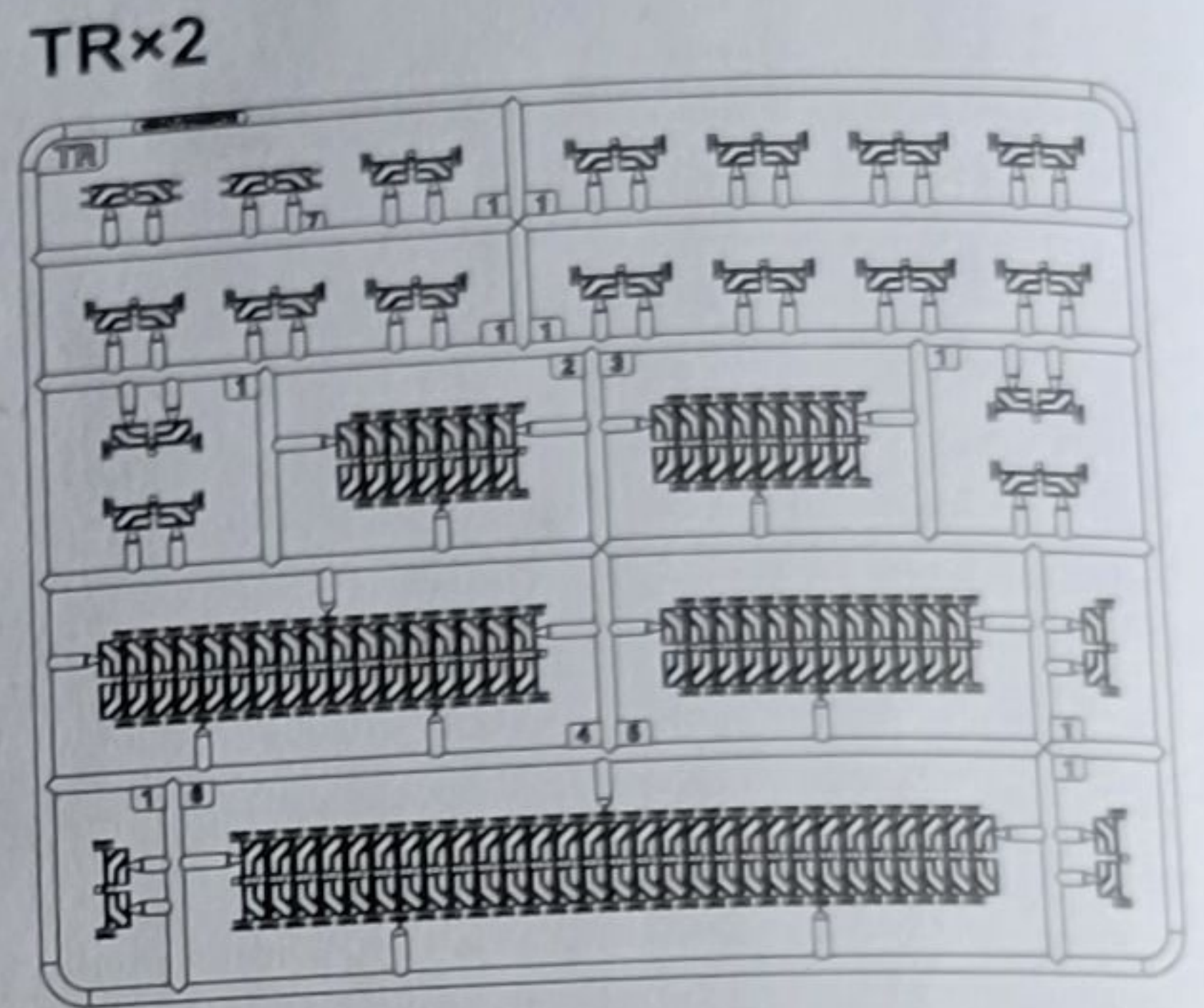
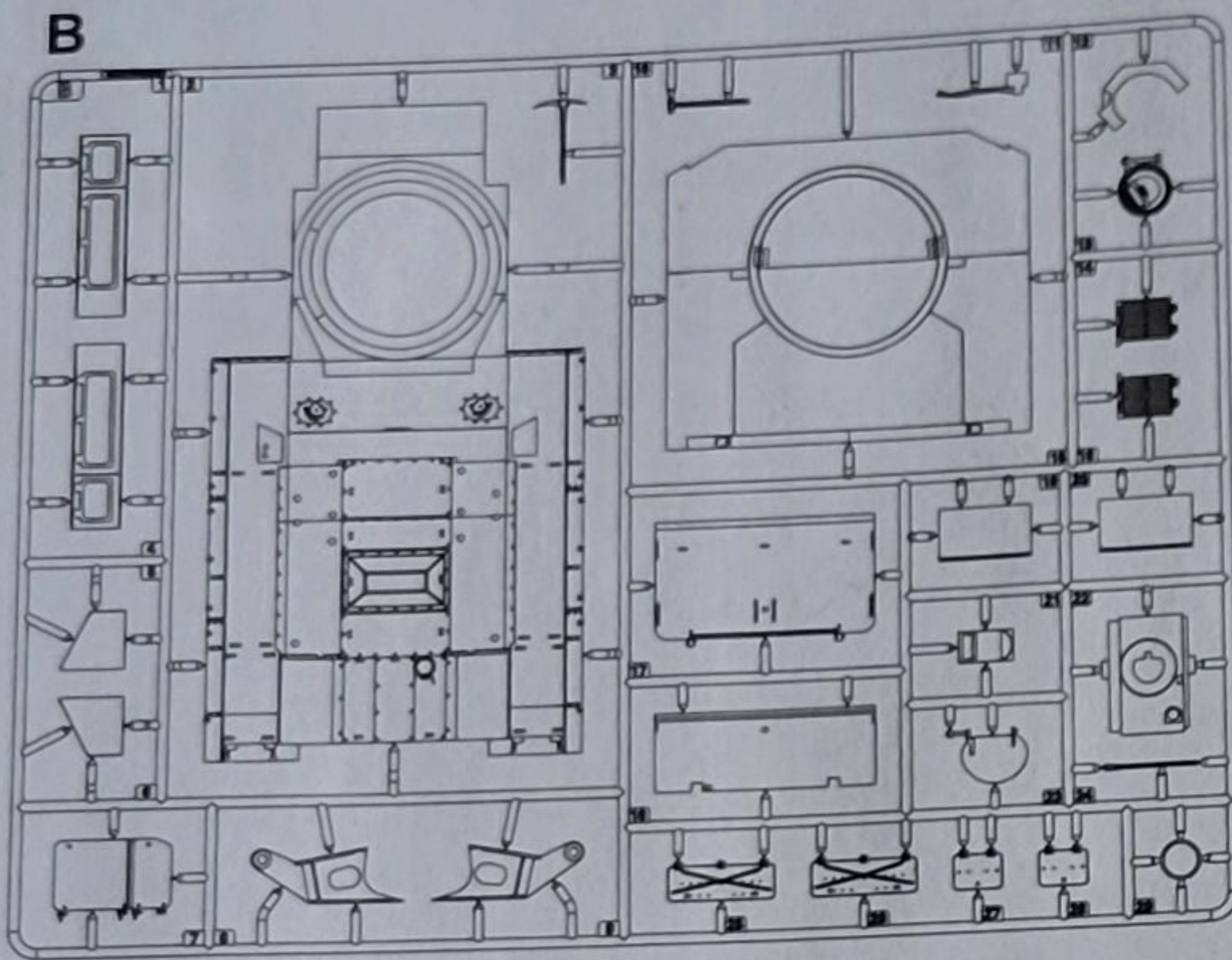
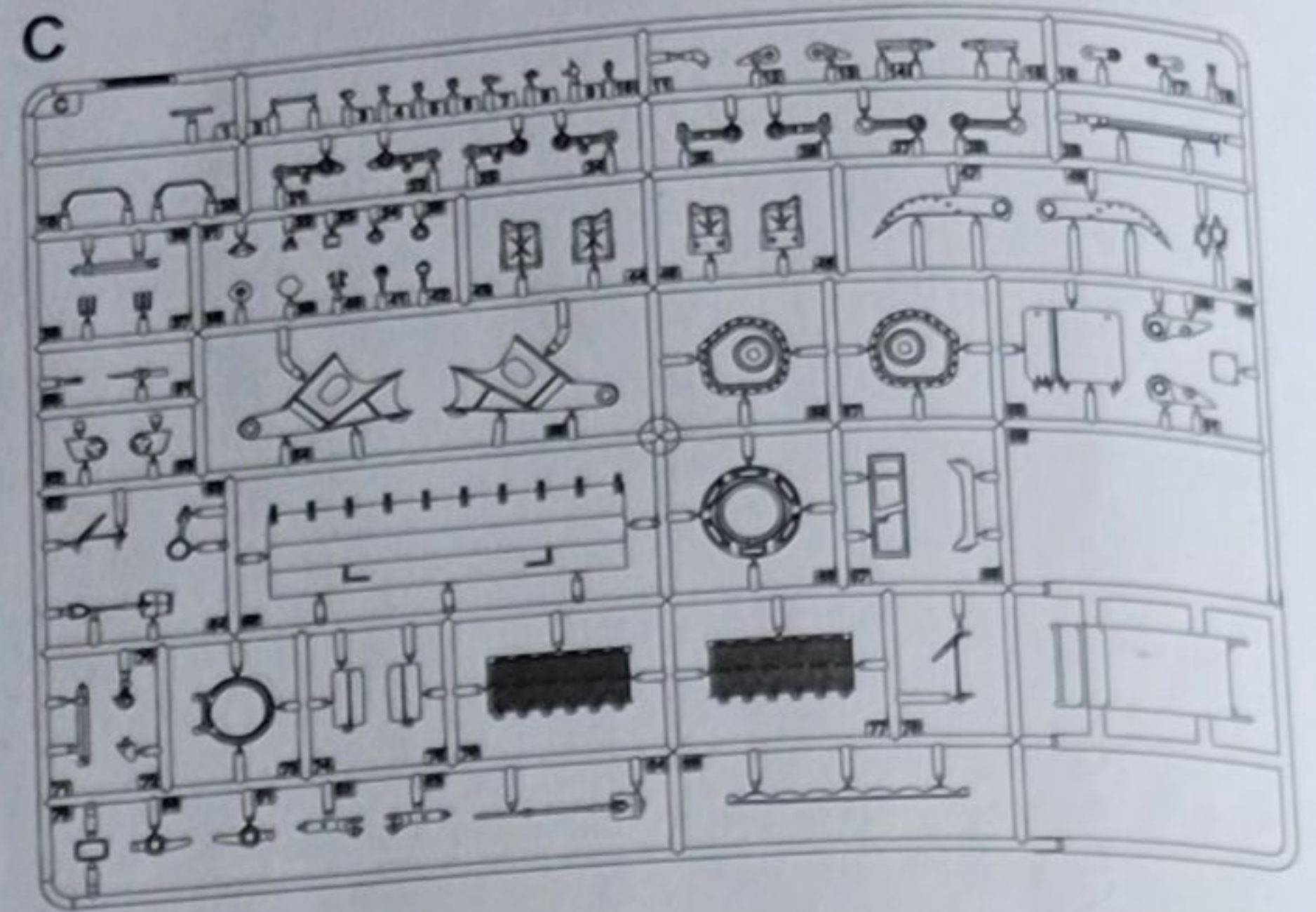
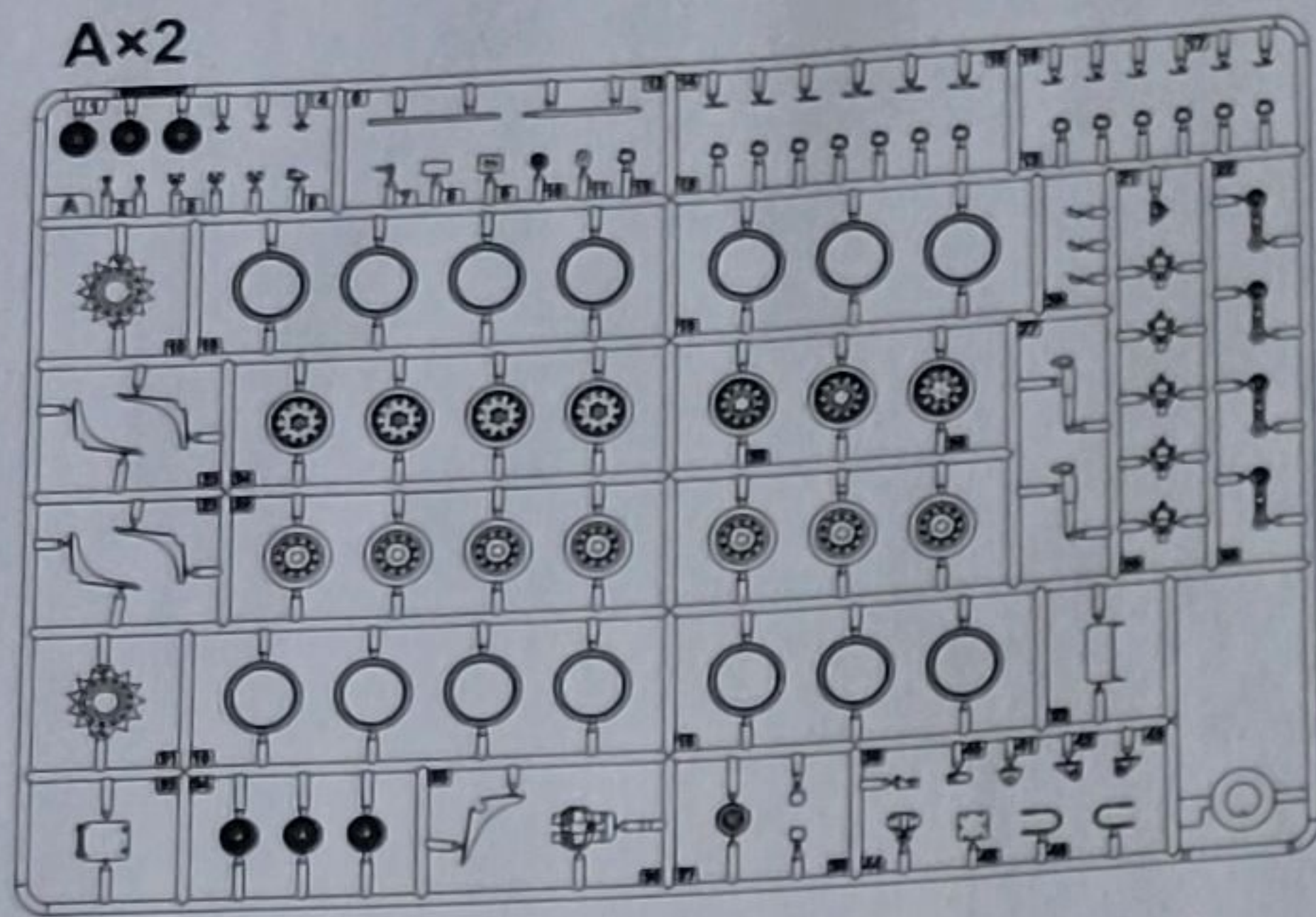
DECAL APPLICATION

- 1.Cut decals from sheet as needed
- 2.Dip the decal in warm water for about 10 seconds and then place on soft clean cloth.
- 3.Hold the decal backing sheet edge and gently slide the decal onto the model in its proper position.

- 4.While still wet,decal can be adjusted for better fit on model by dampening it gently with your finger.
- 5.When placed in the proper position,gently press decal down with a soft cloth until excess water and air bubbles are gone.
- 6.Allow decal to dry completely before handling model

* 说明书中含有重要信息，应保留。 Please Keep instruction since it contains important information.

部品图
Parts

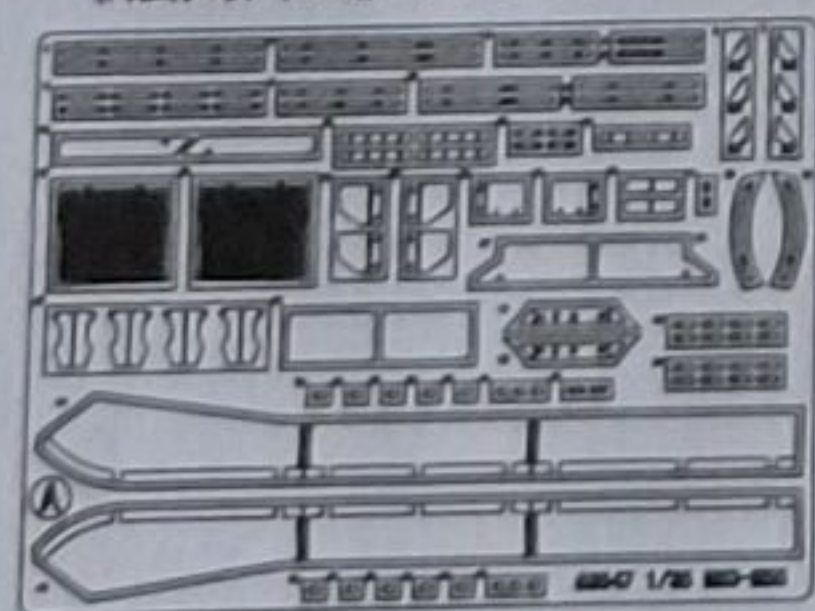


《贴纸》
Decal

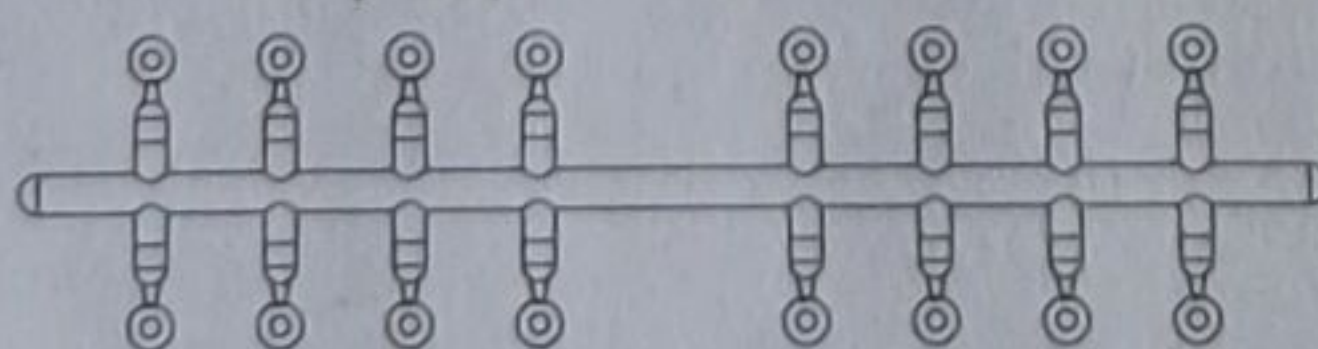
《蚀刻片B》 PE-B



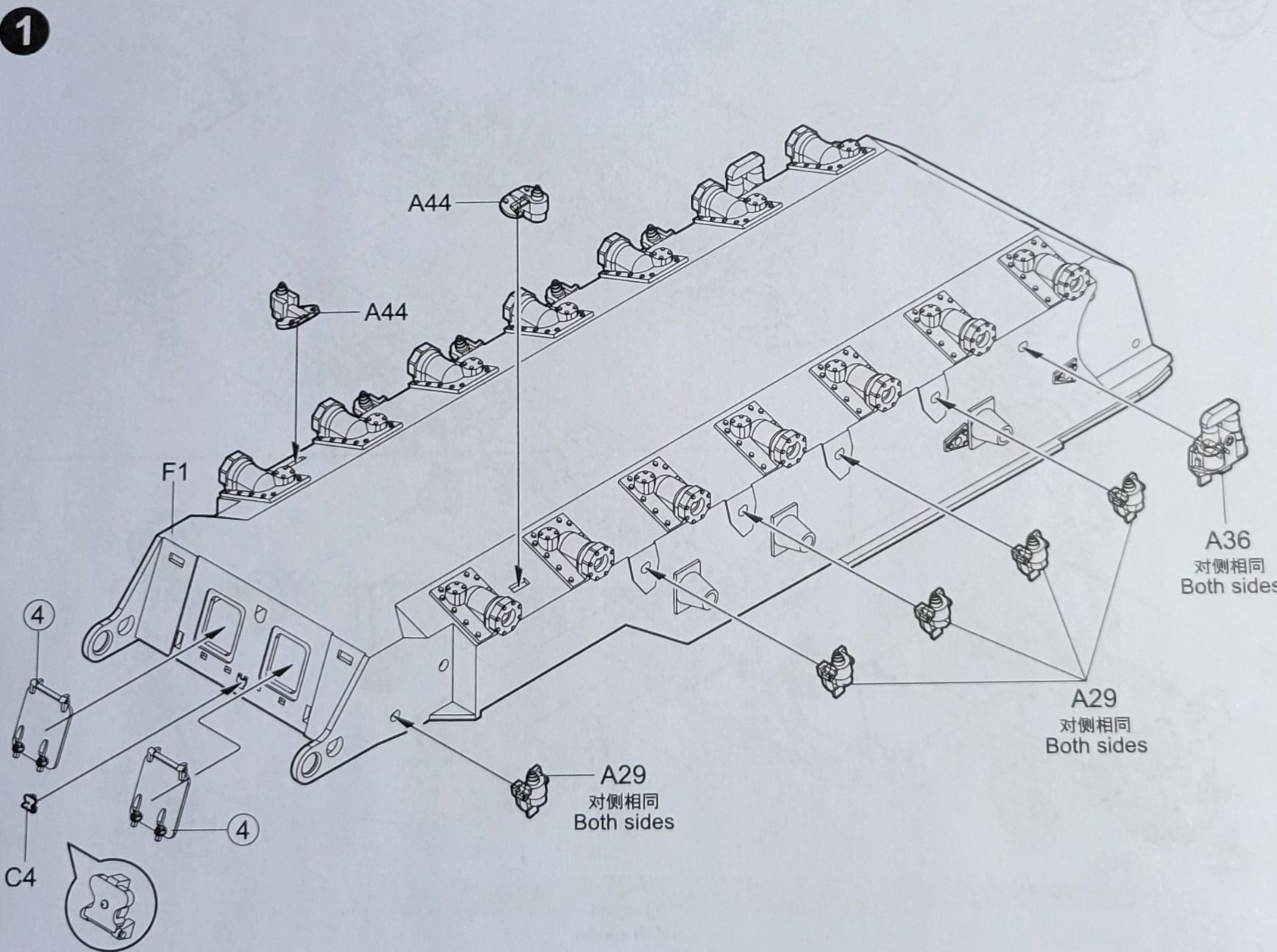
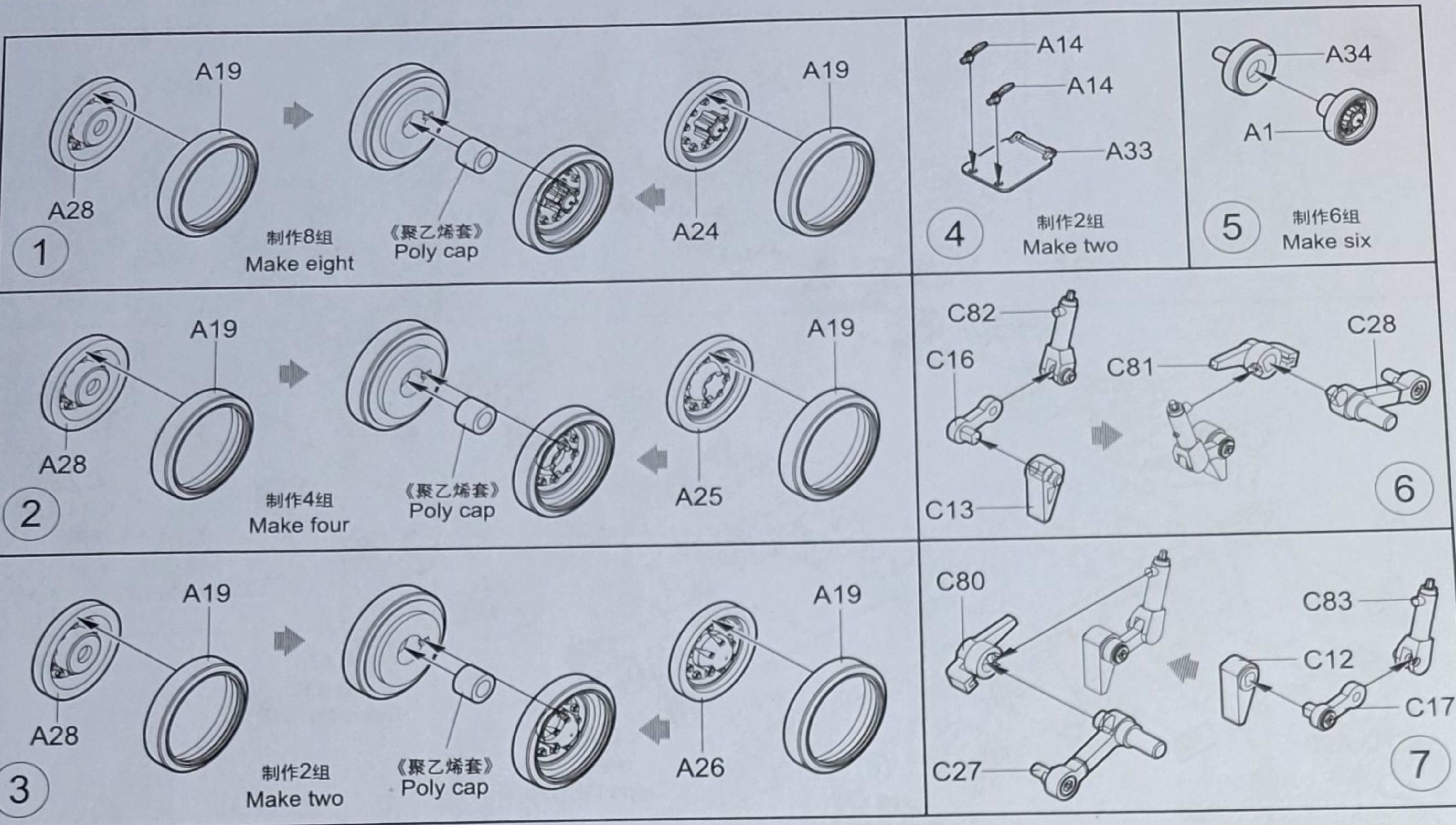
《蚀刻片A》 PE-A



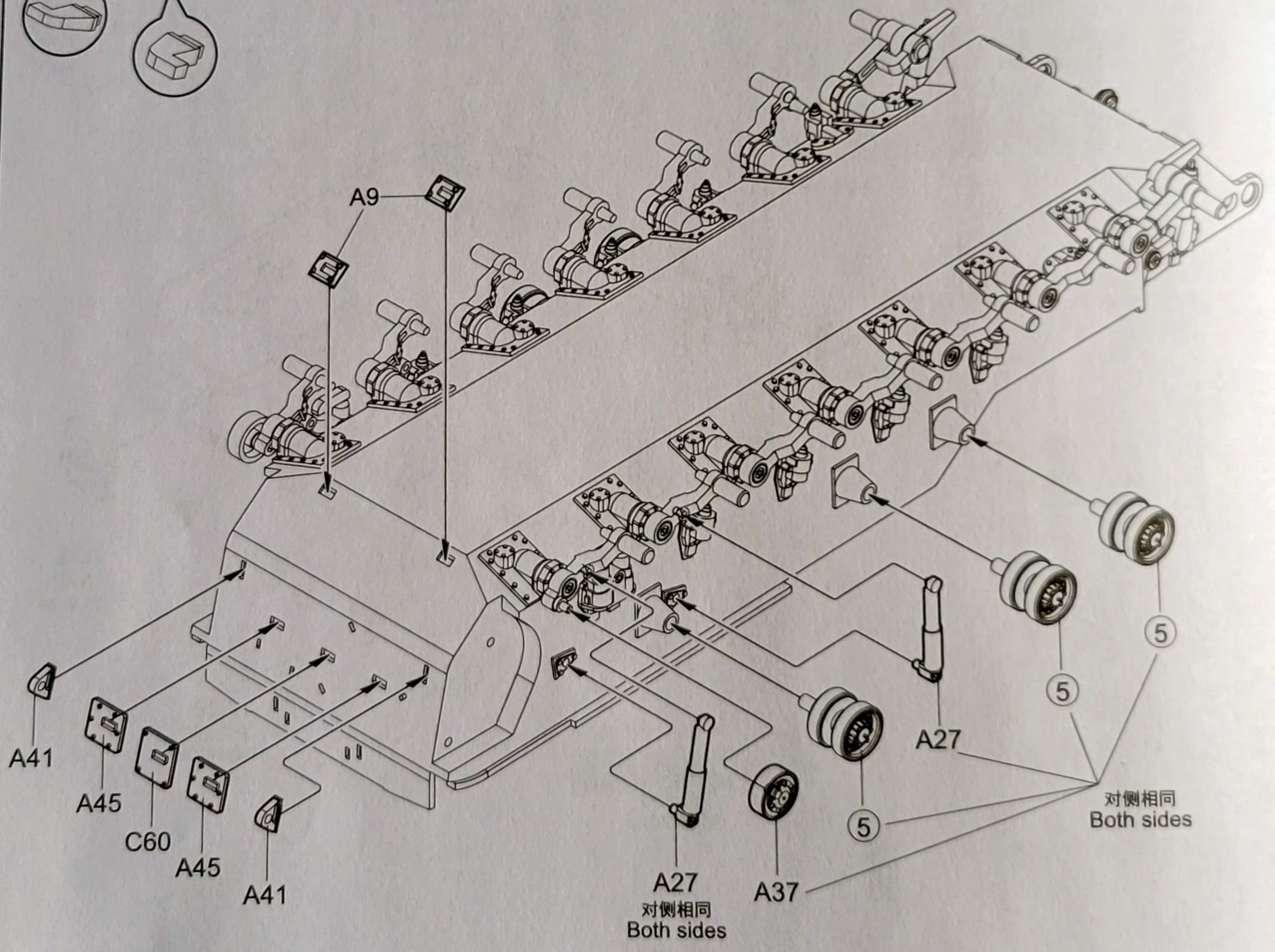
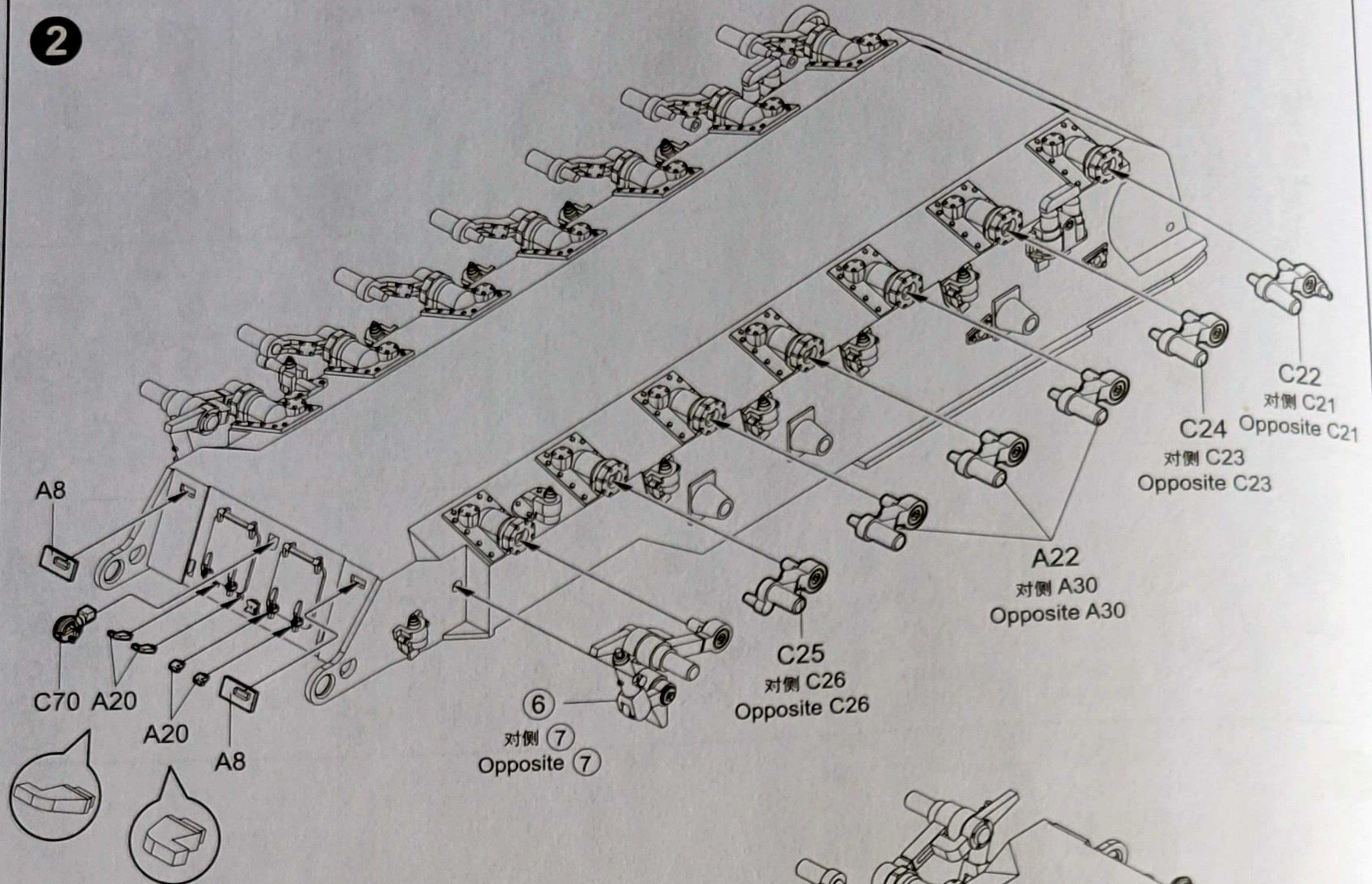
《聚乙烯套》
Poly cap

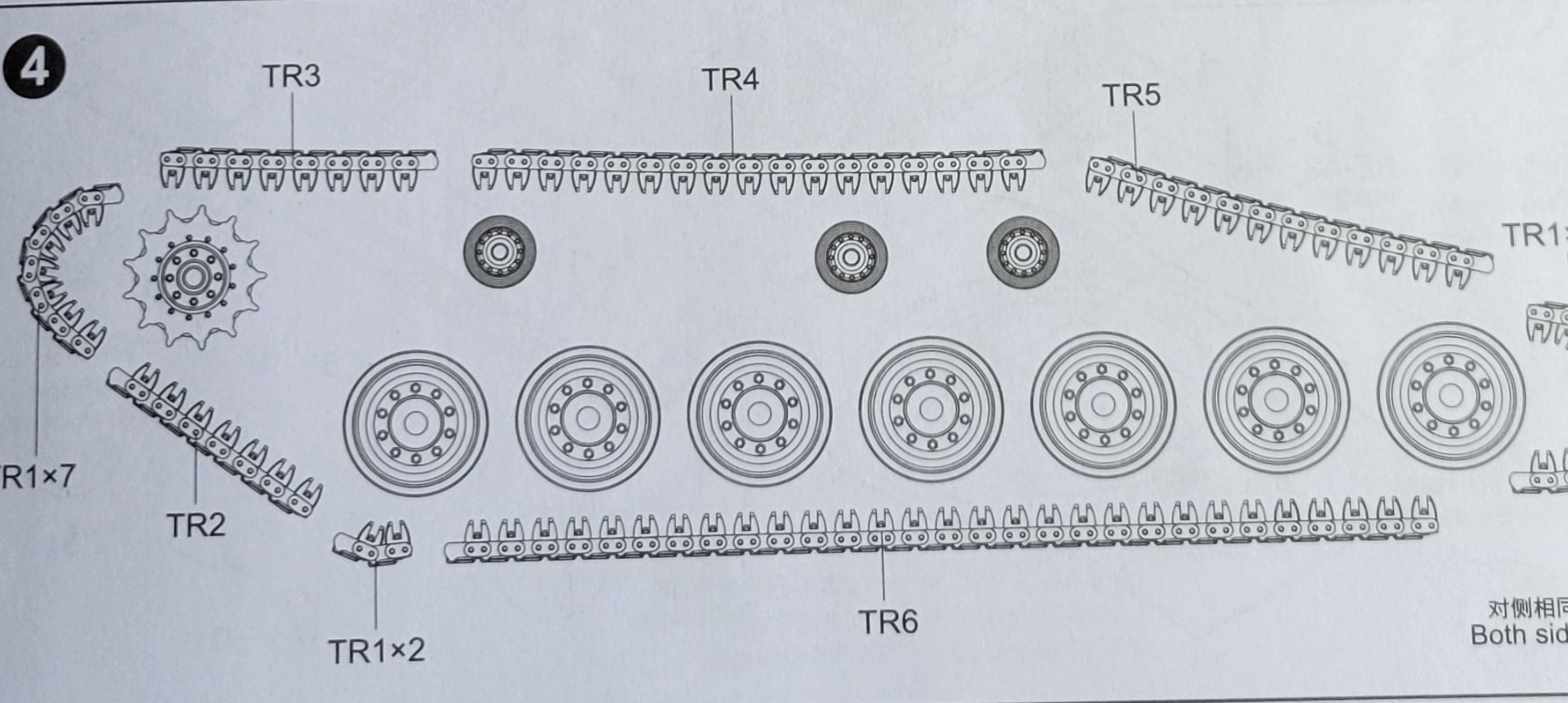
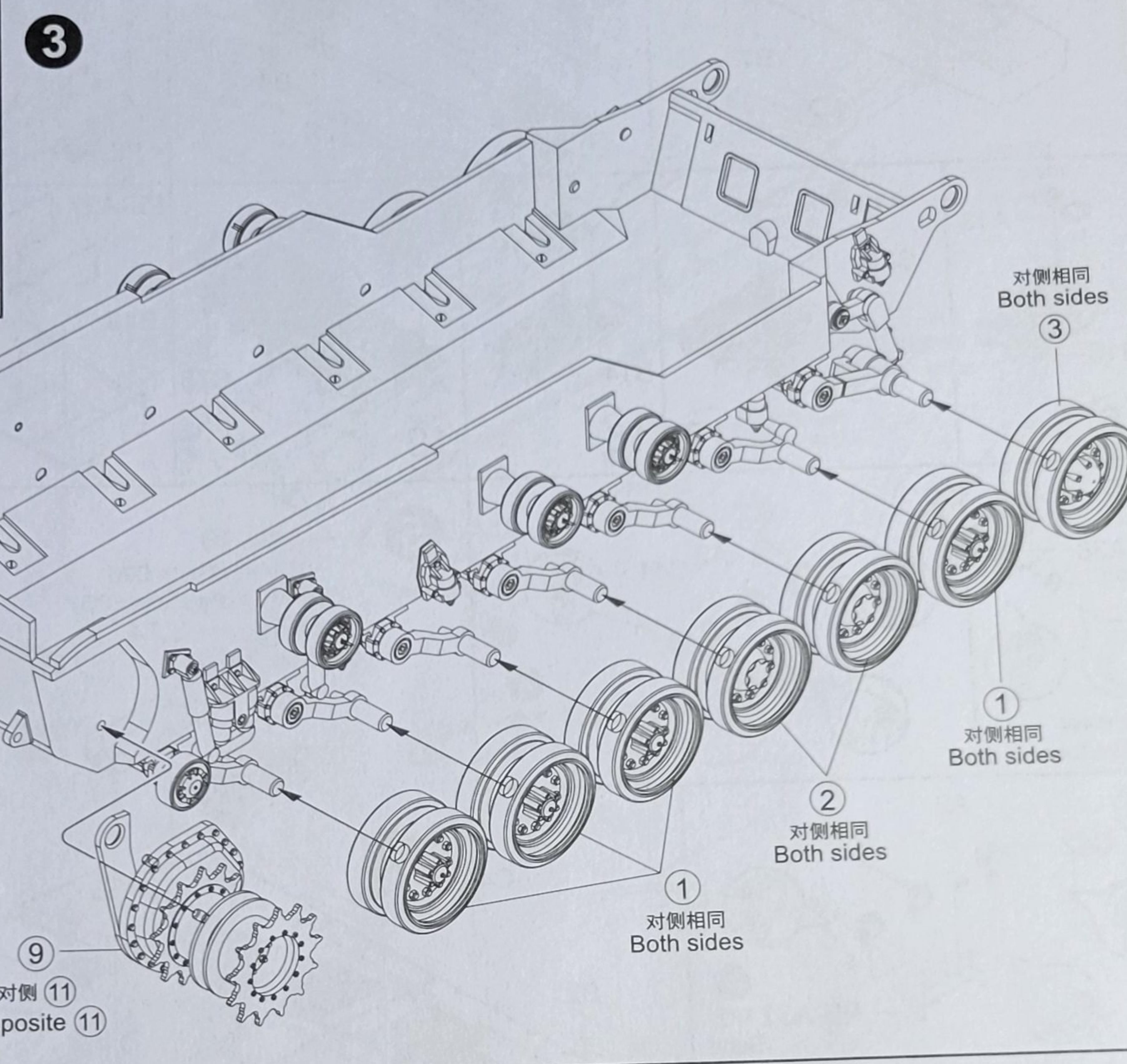
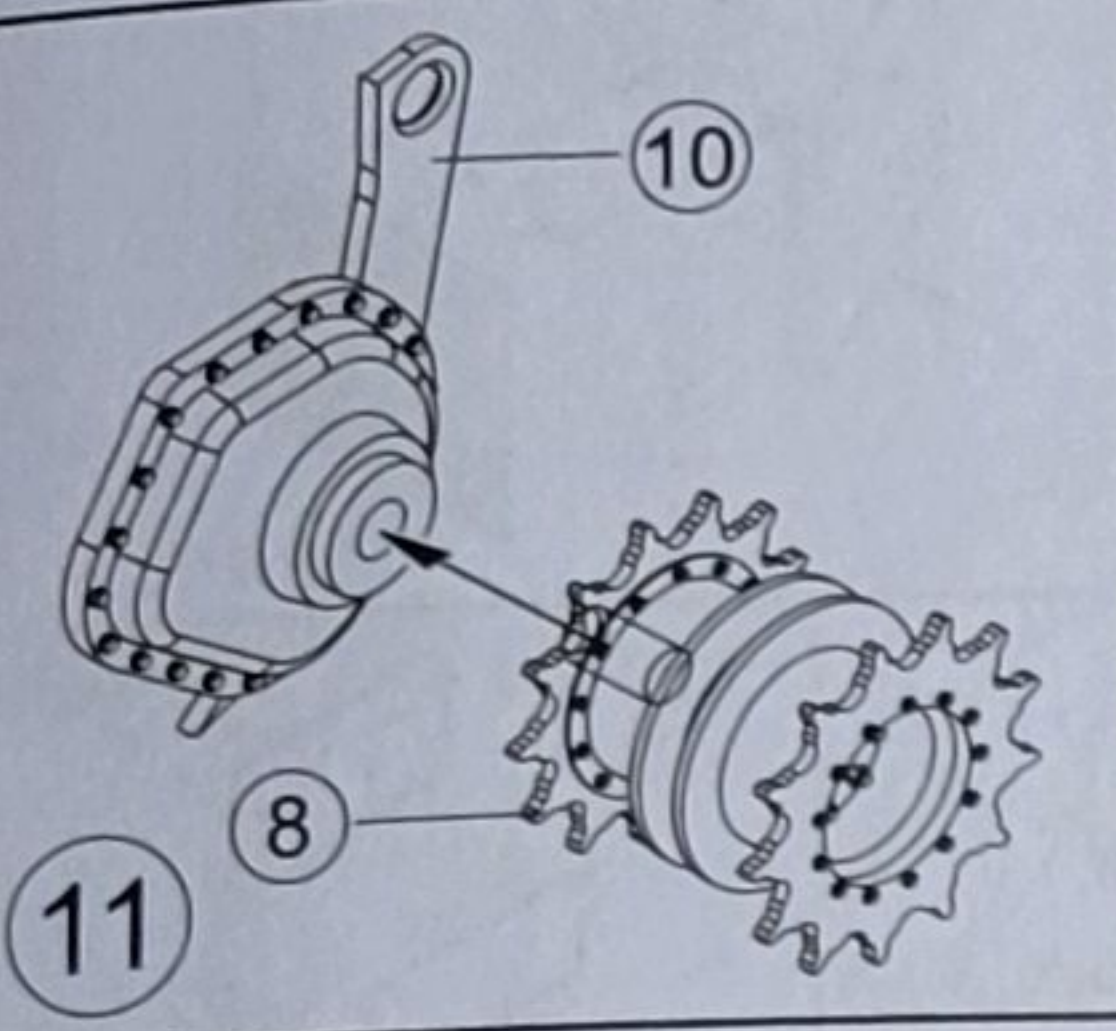
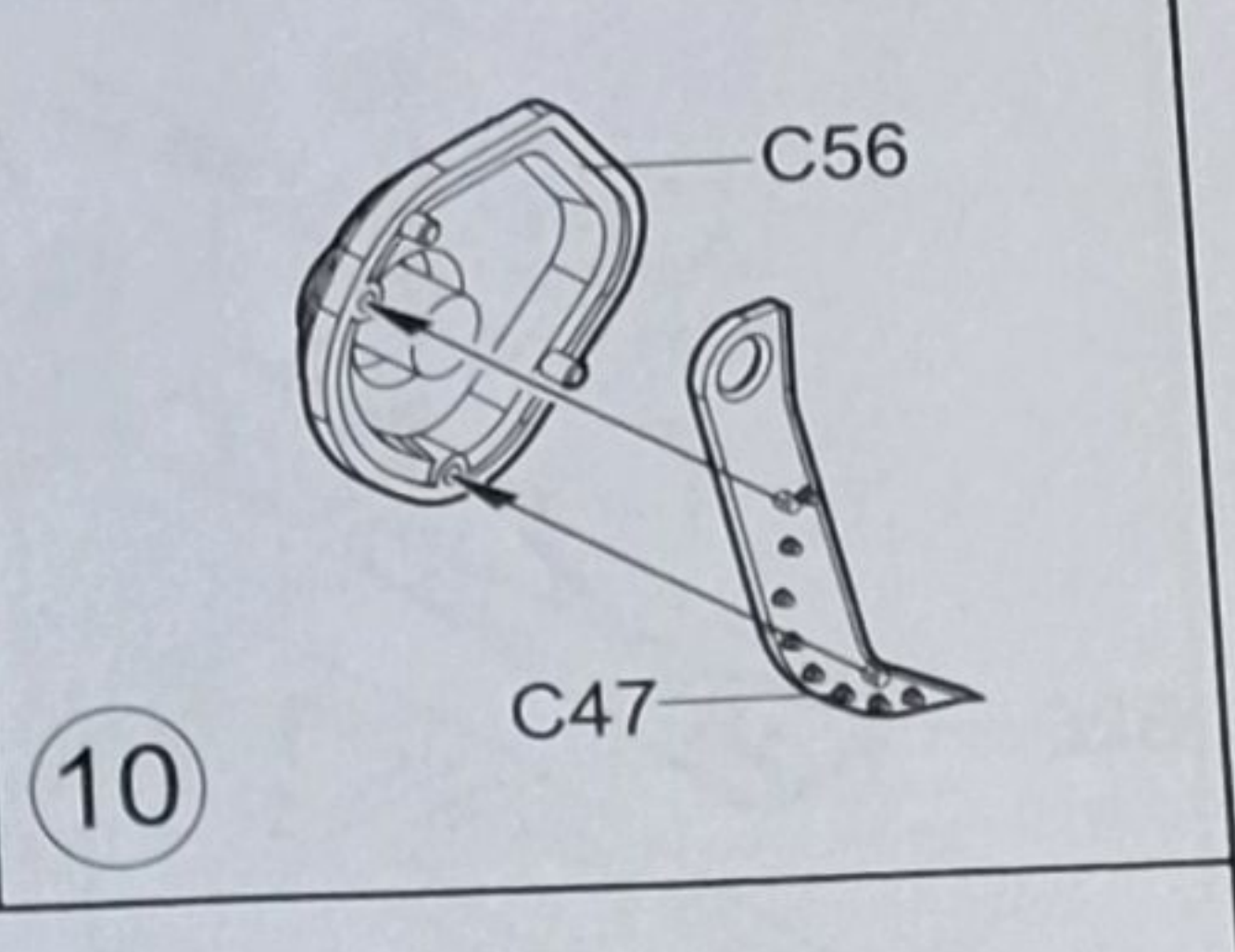
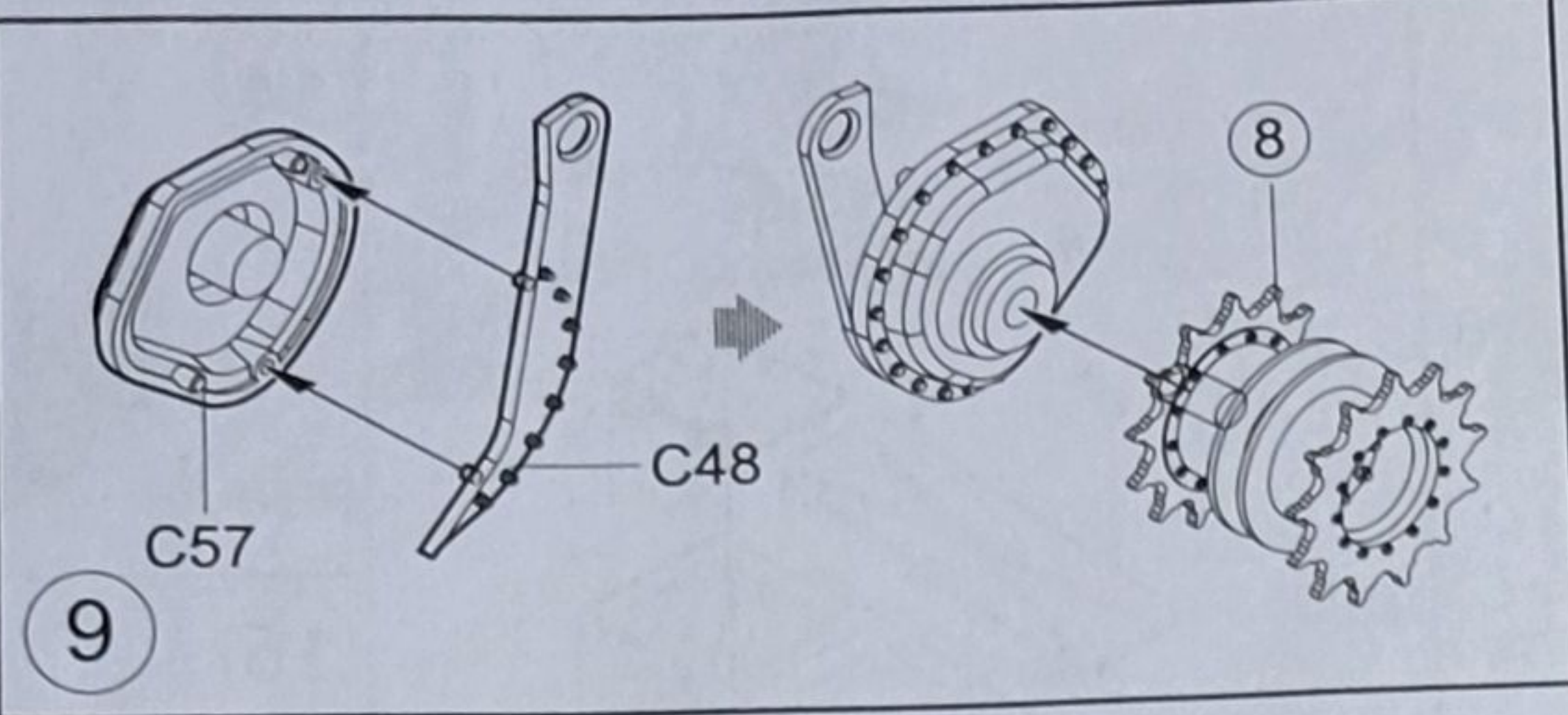
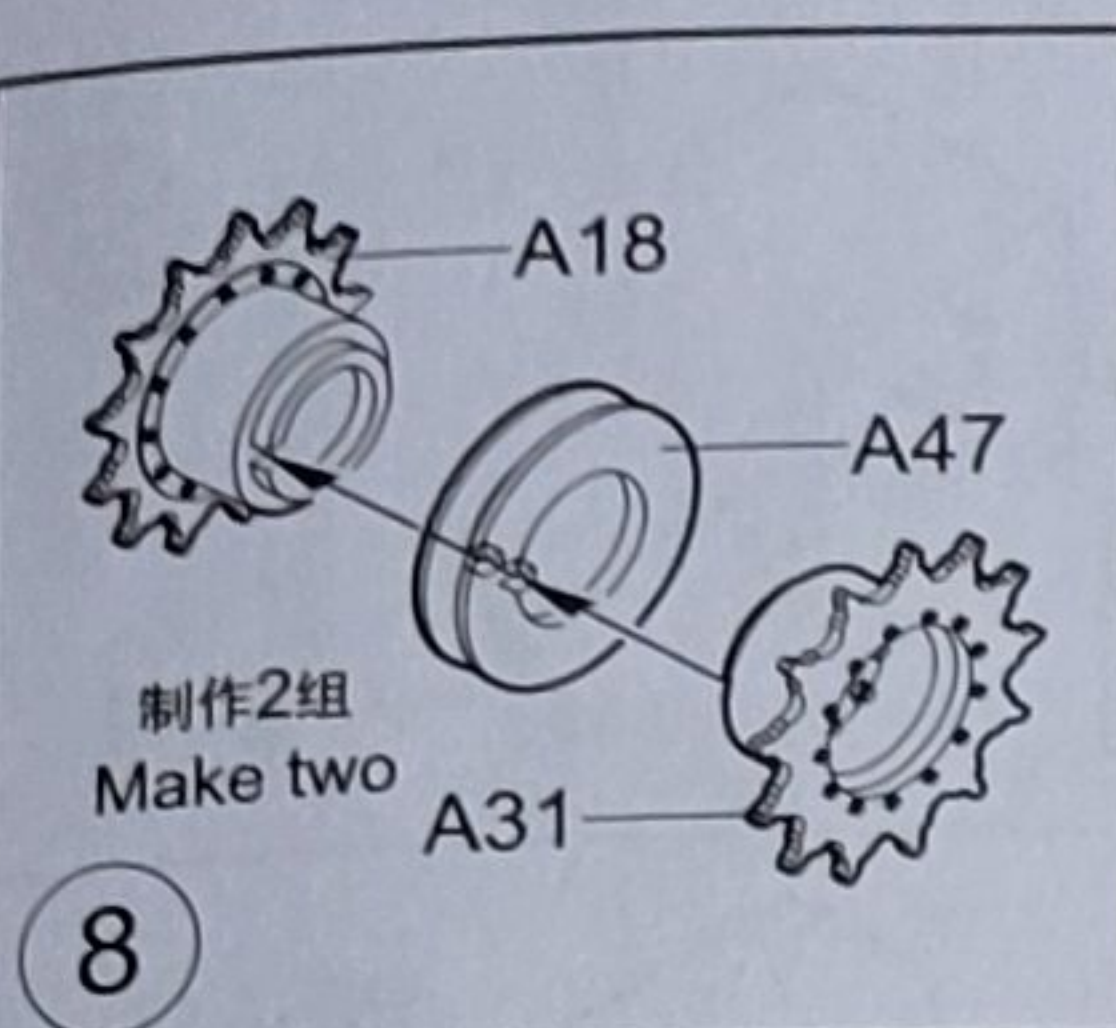


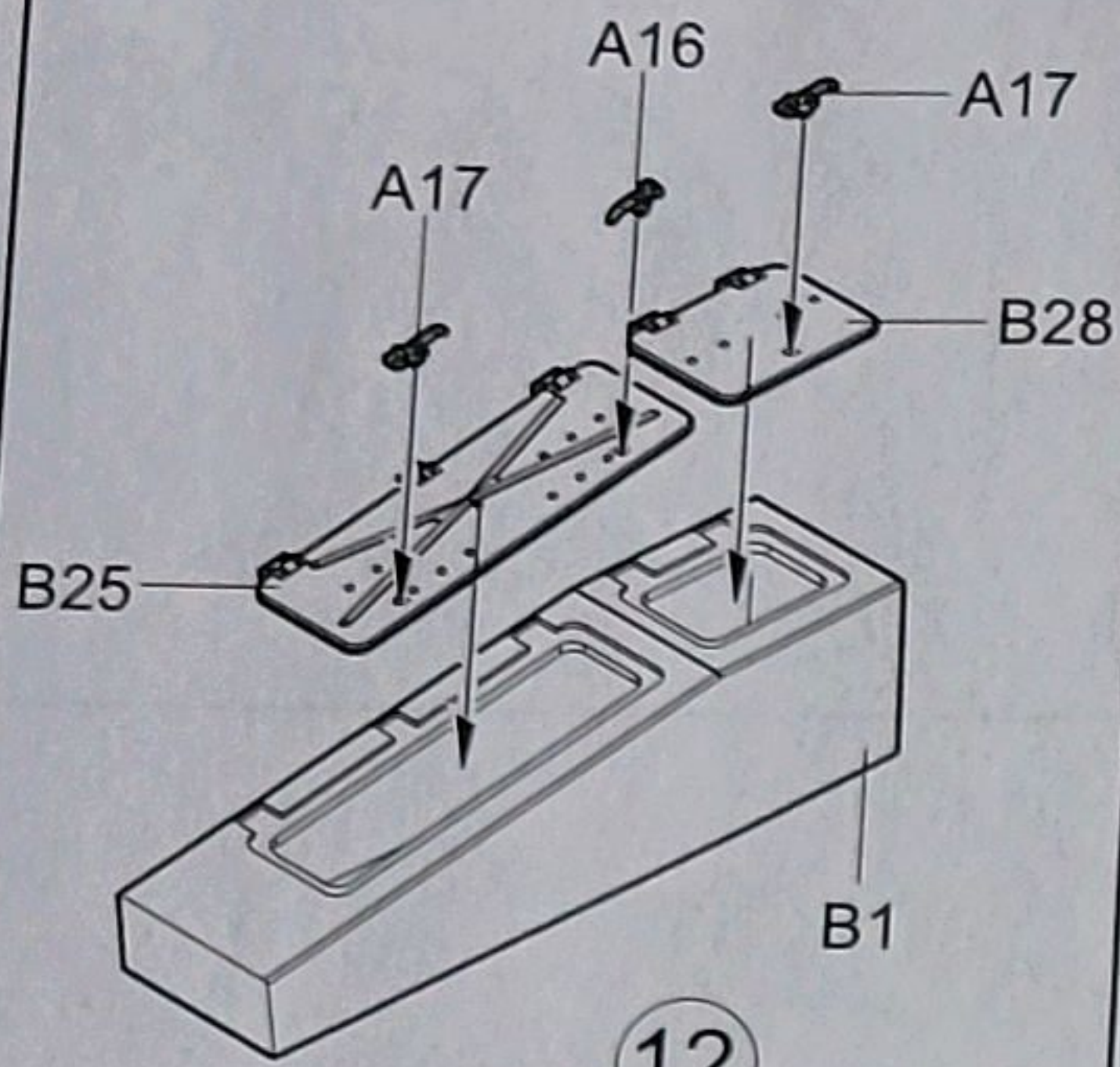
USMC 213222 1 213222 2
USMC 213222 1 USMC 3
63547 1/35 USMC 4 213222 5
M53 155mm Self-Propelled Gun



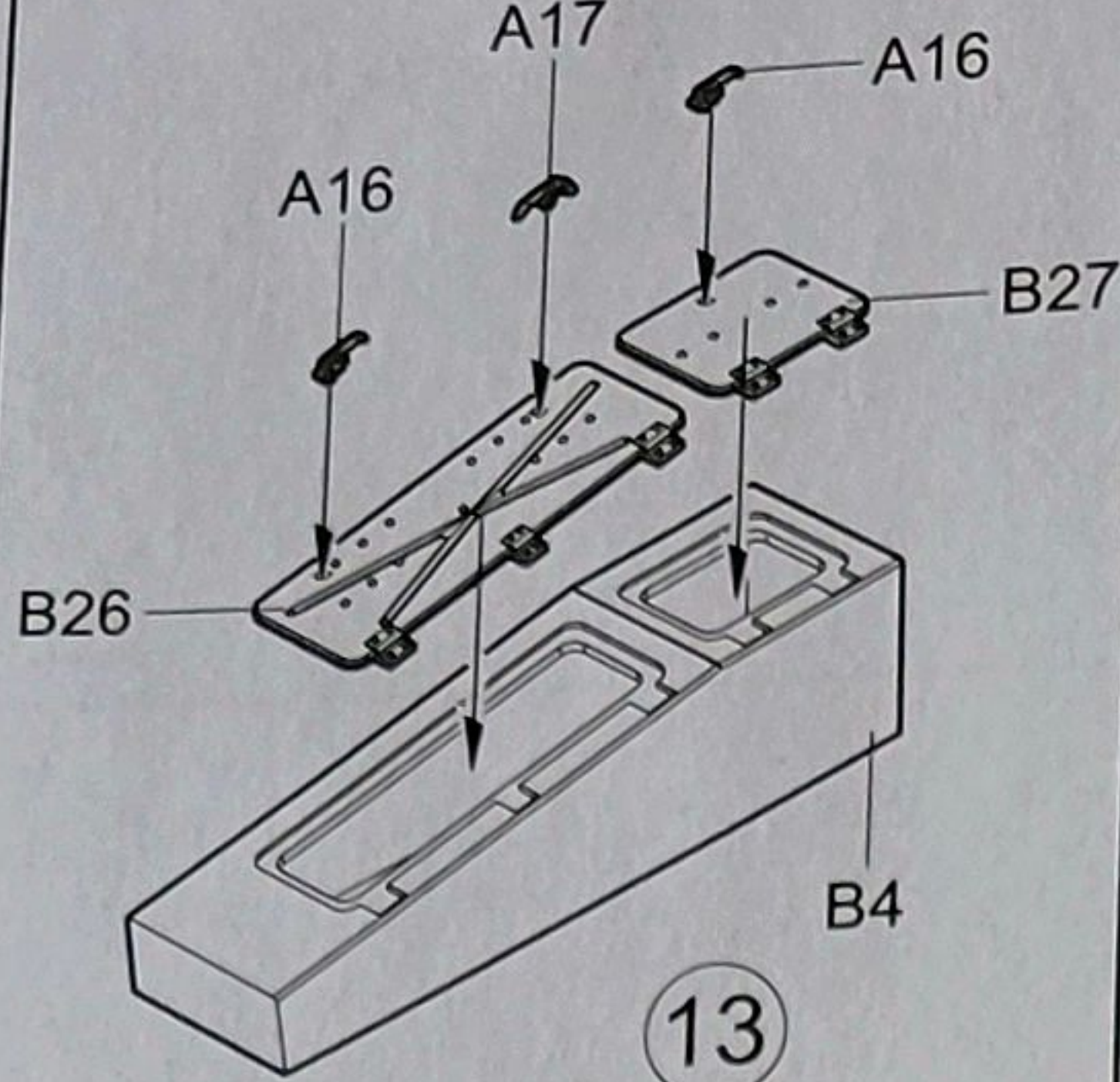
2



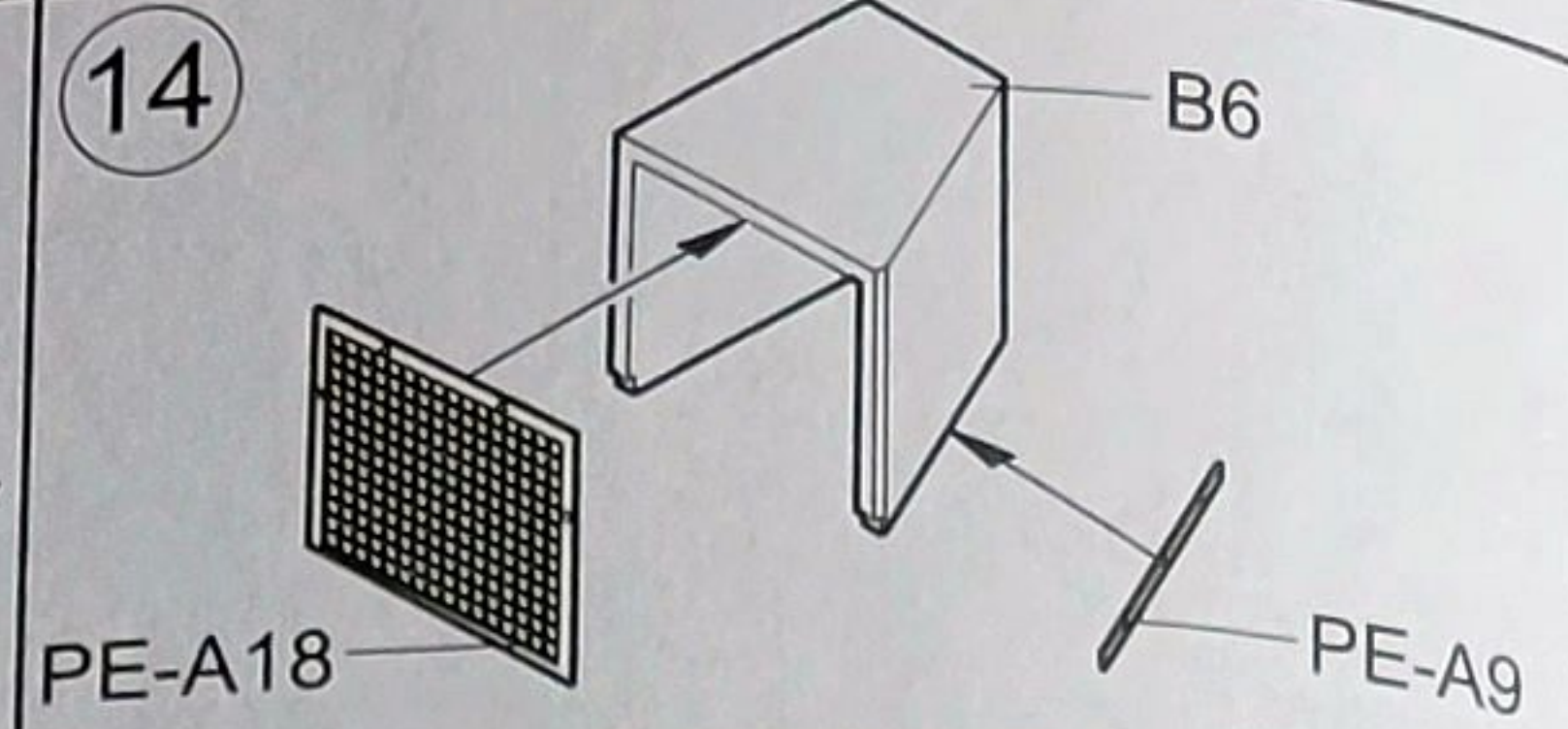




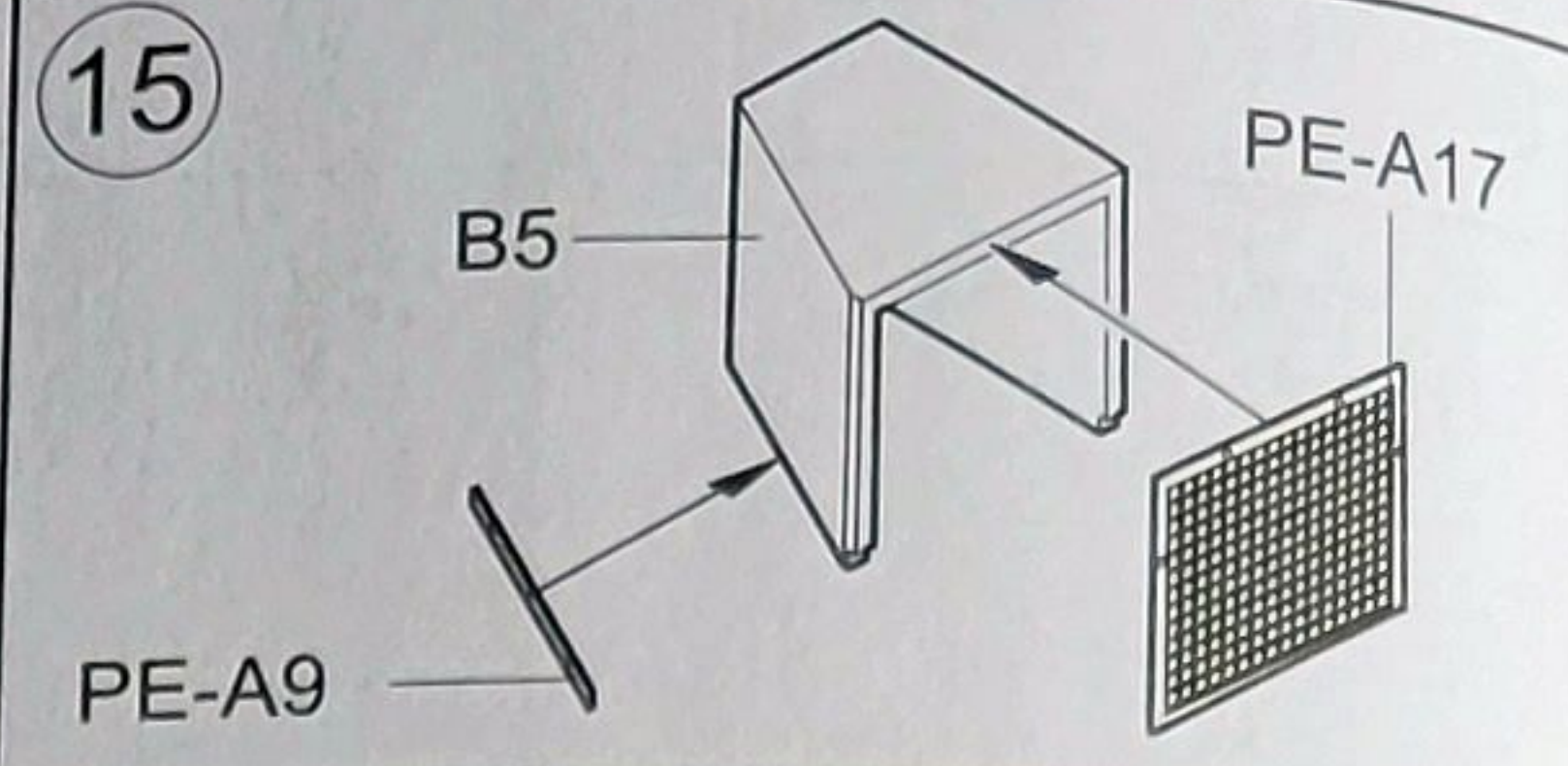
12



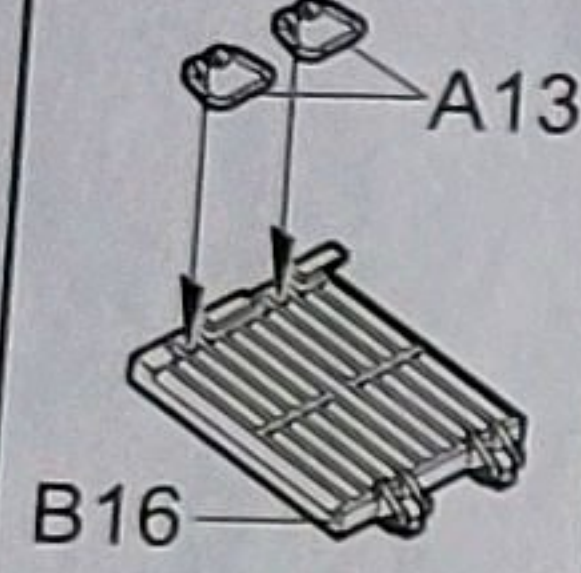
13



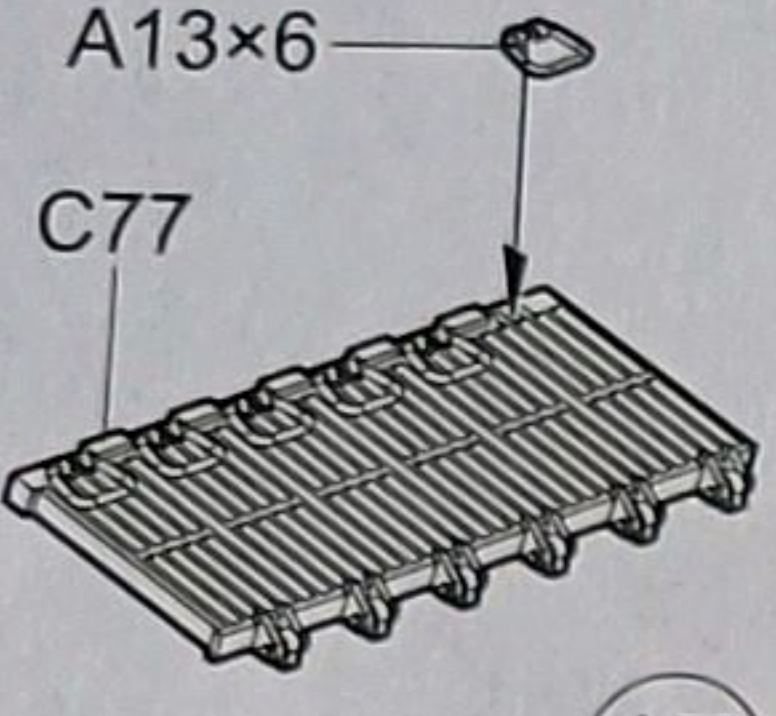
14



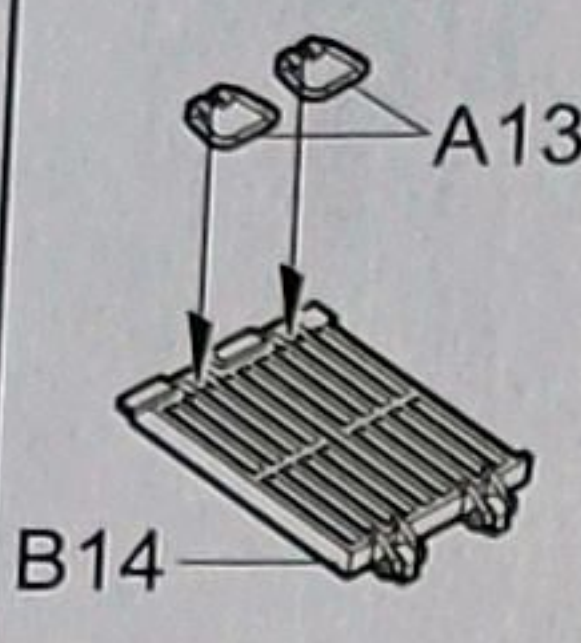
15



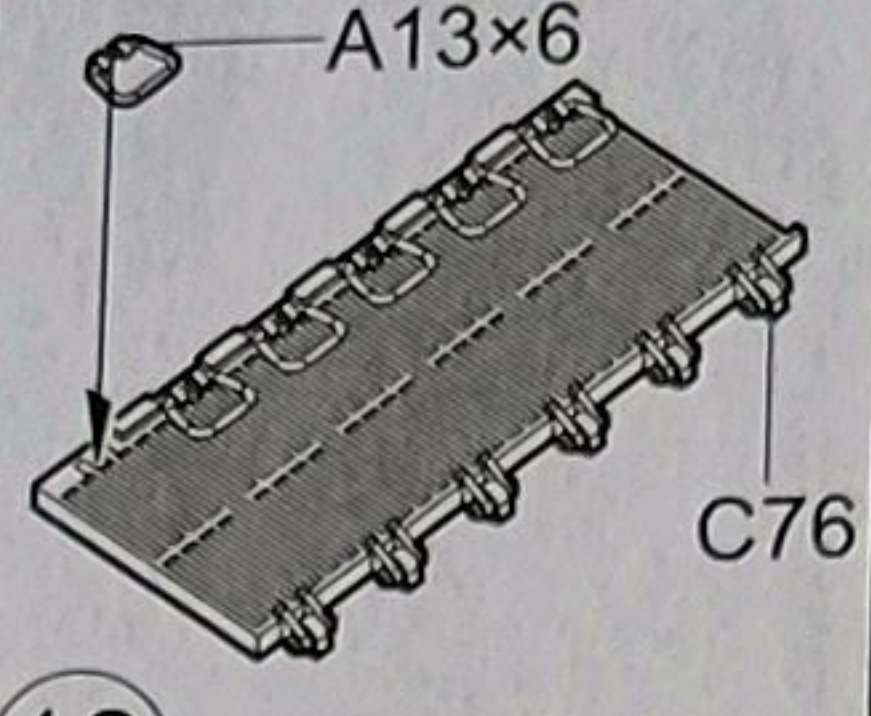
16



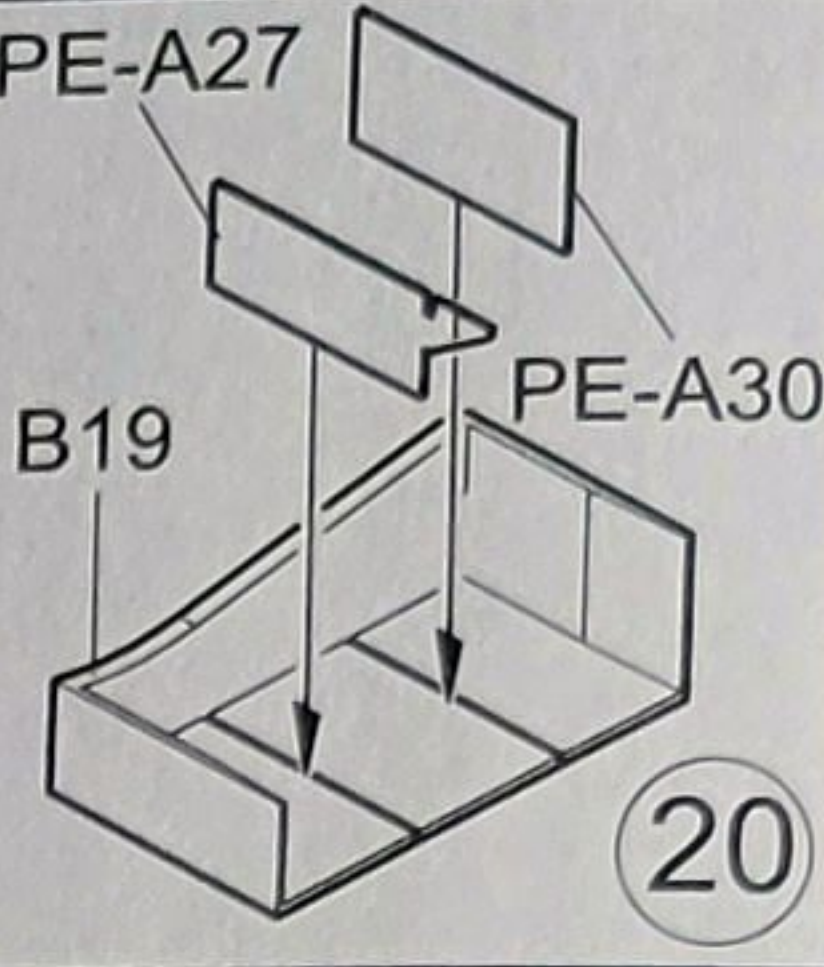
17



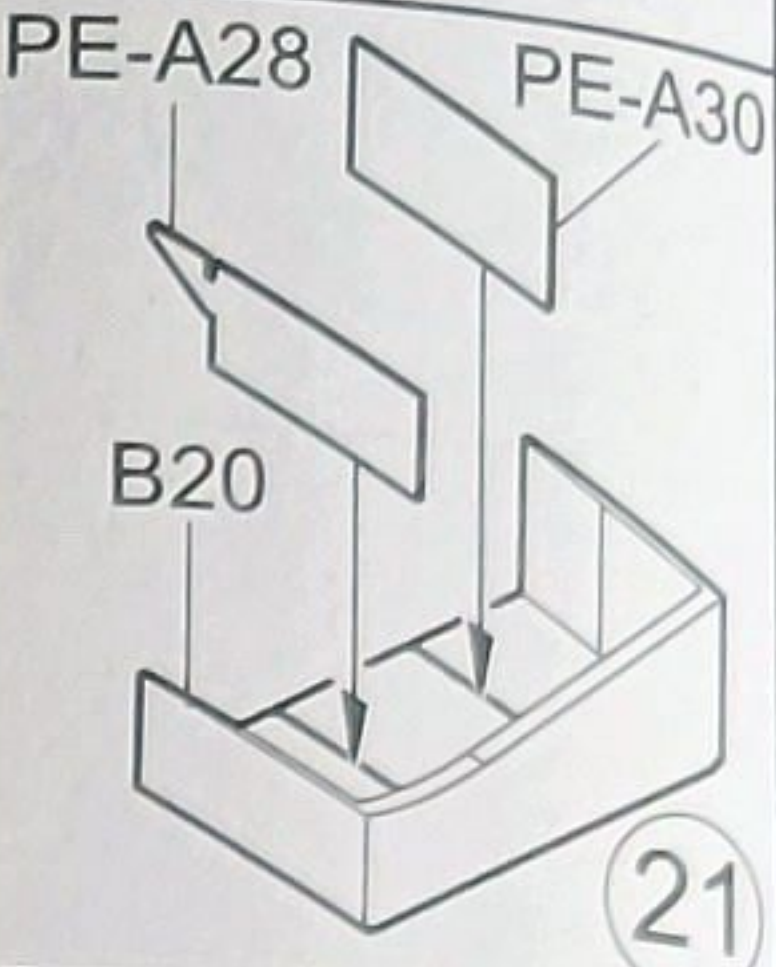
18



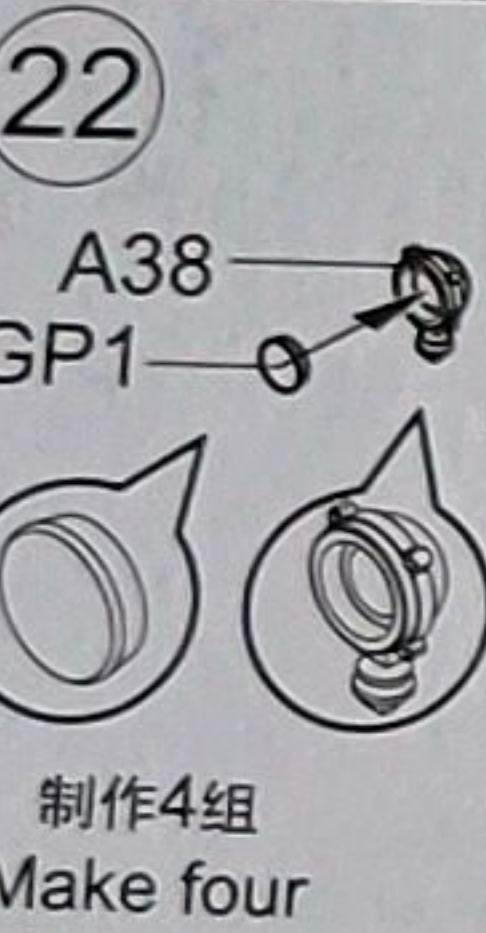
19



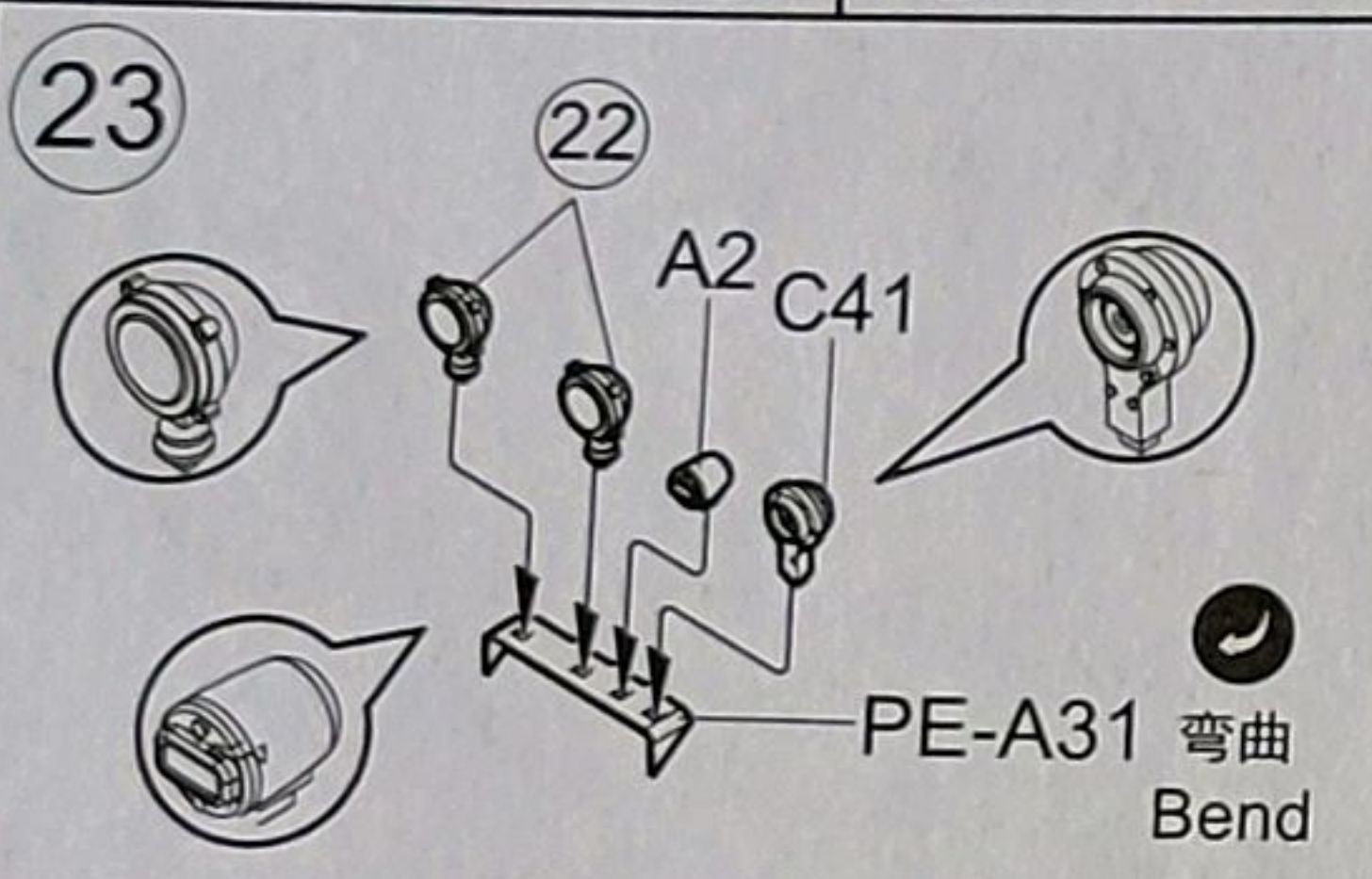
20



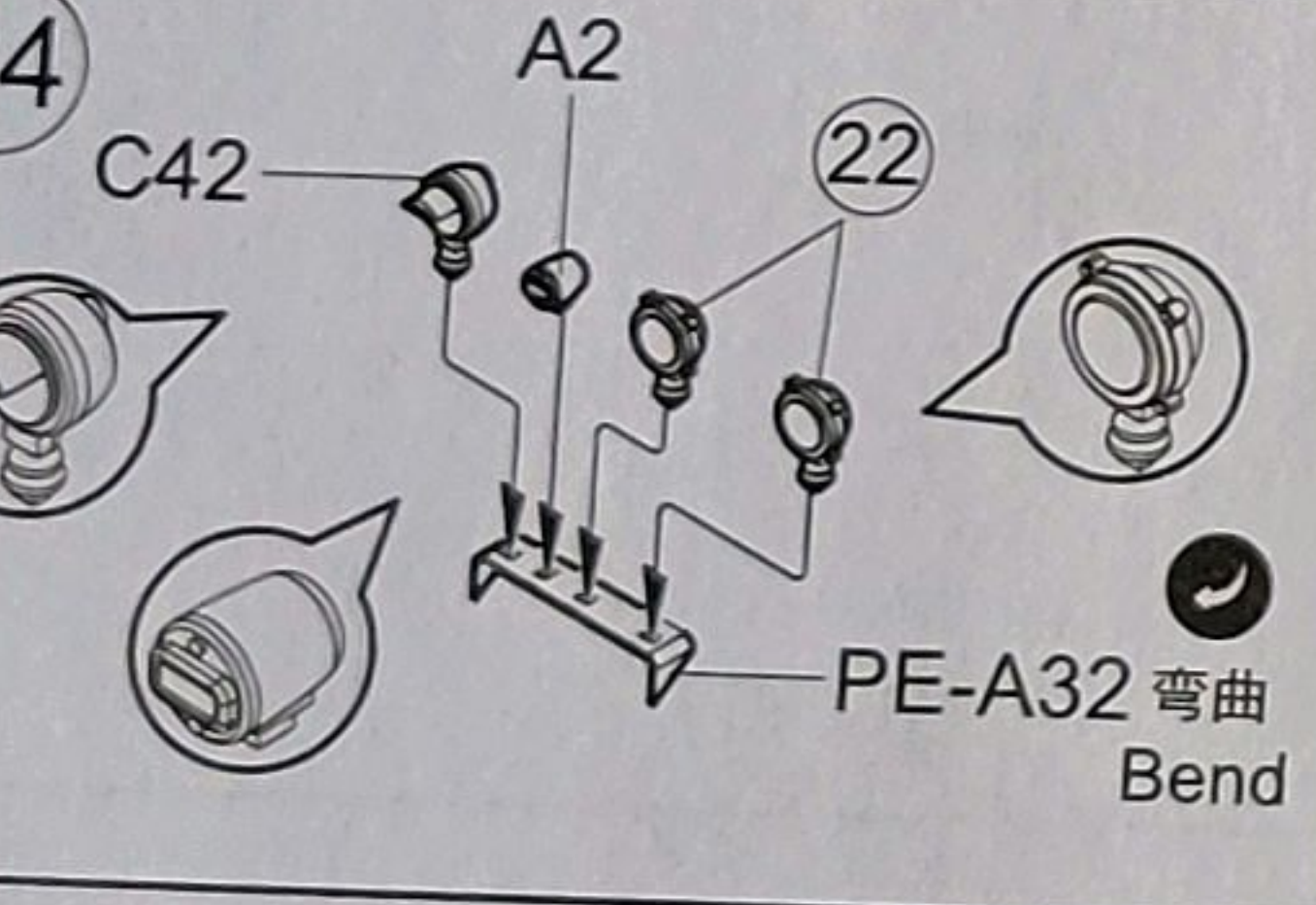
21



22

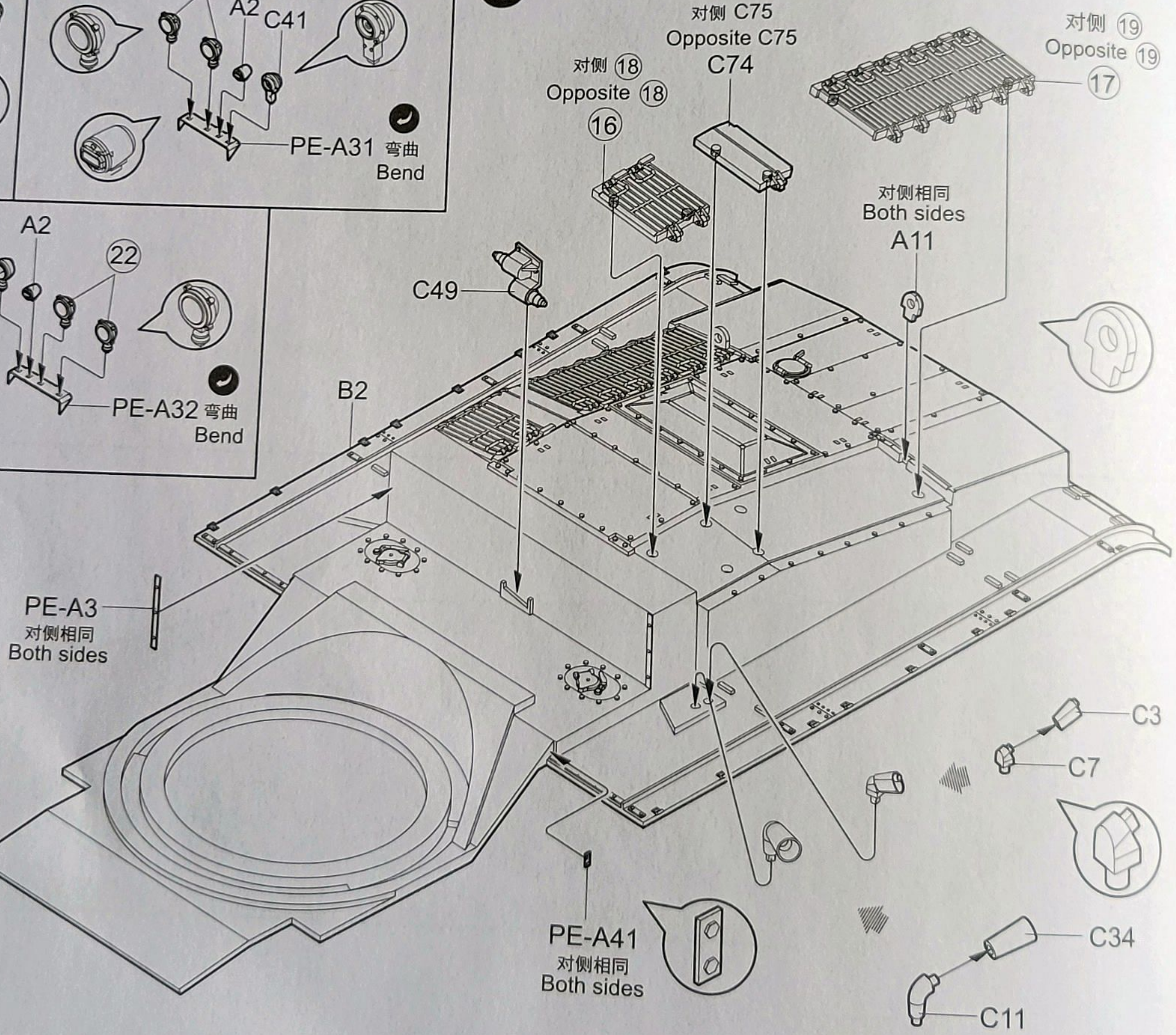


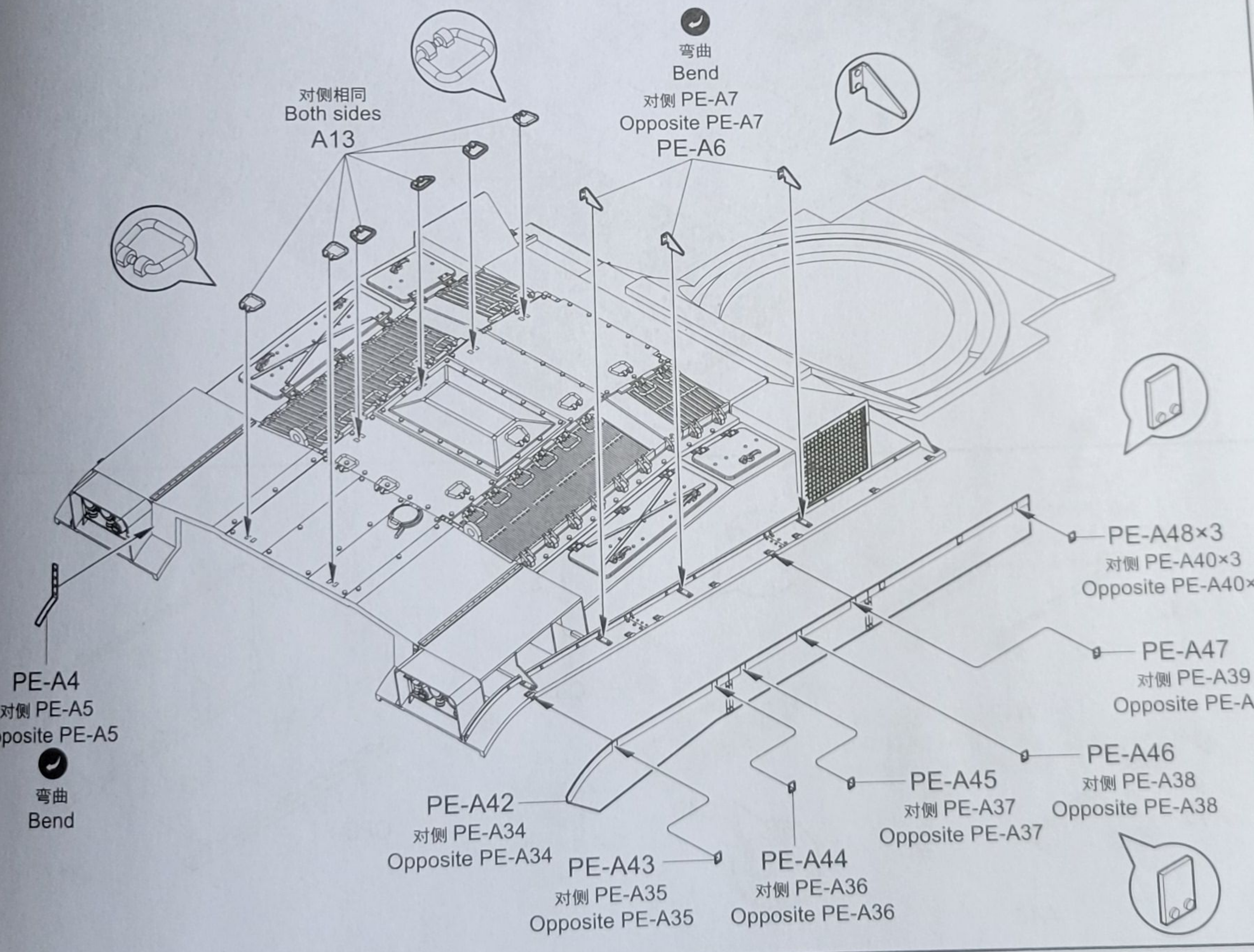
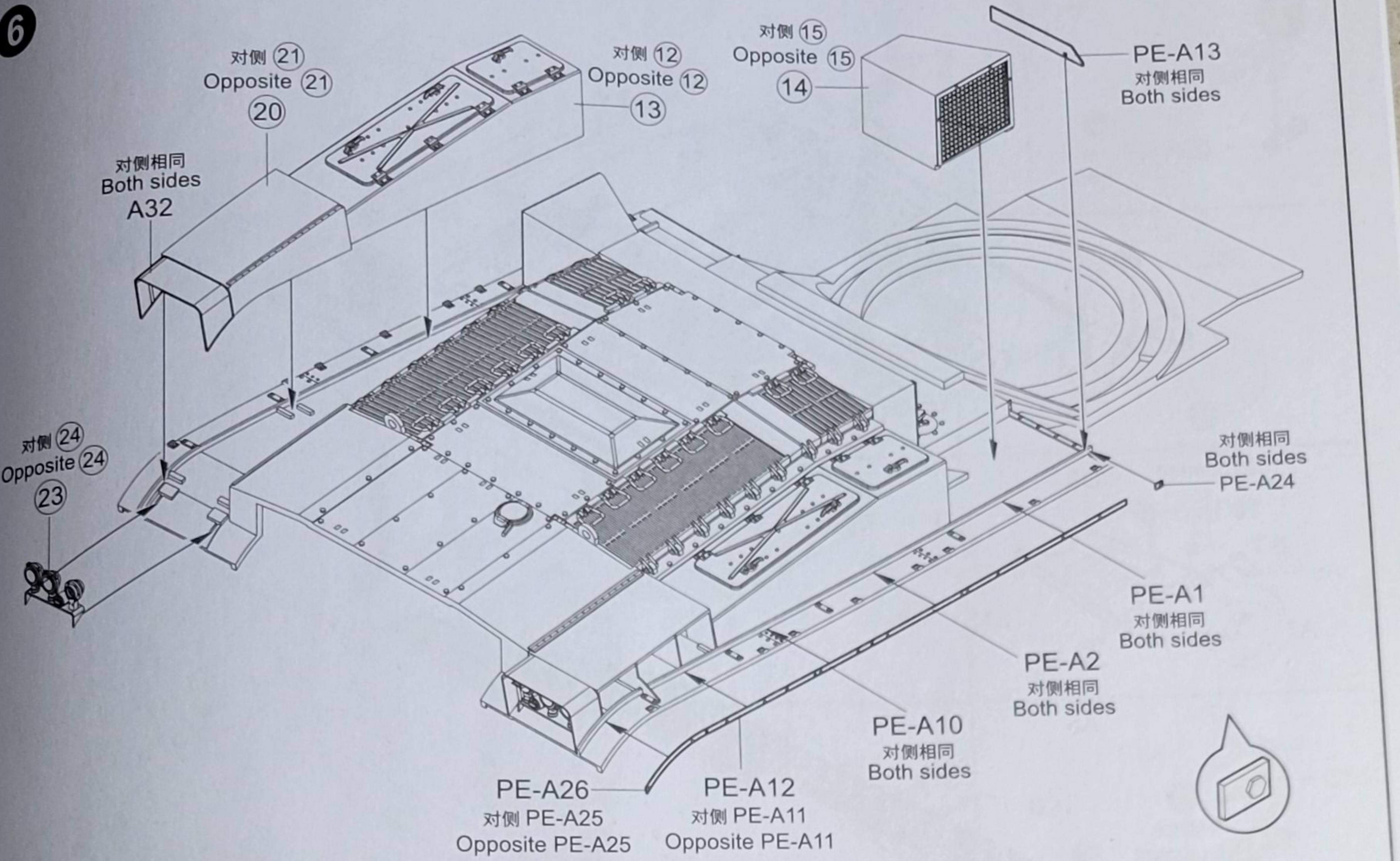
23



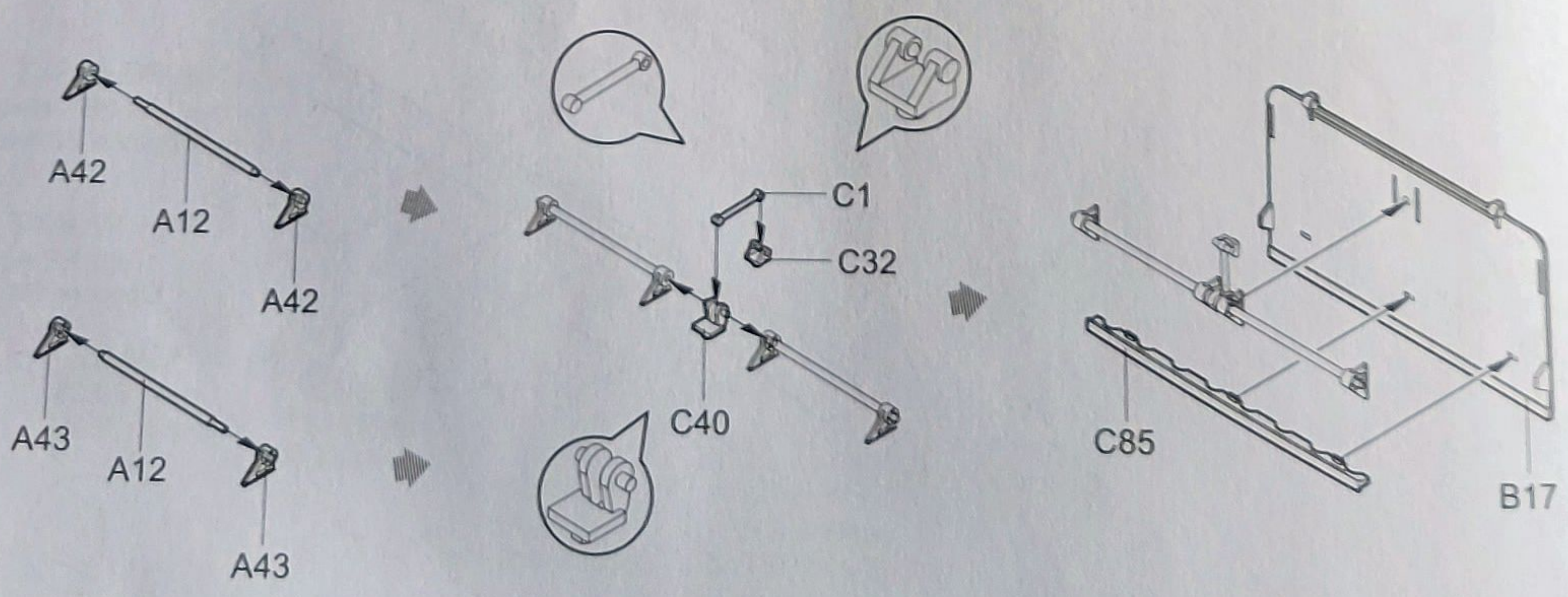
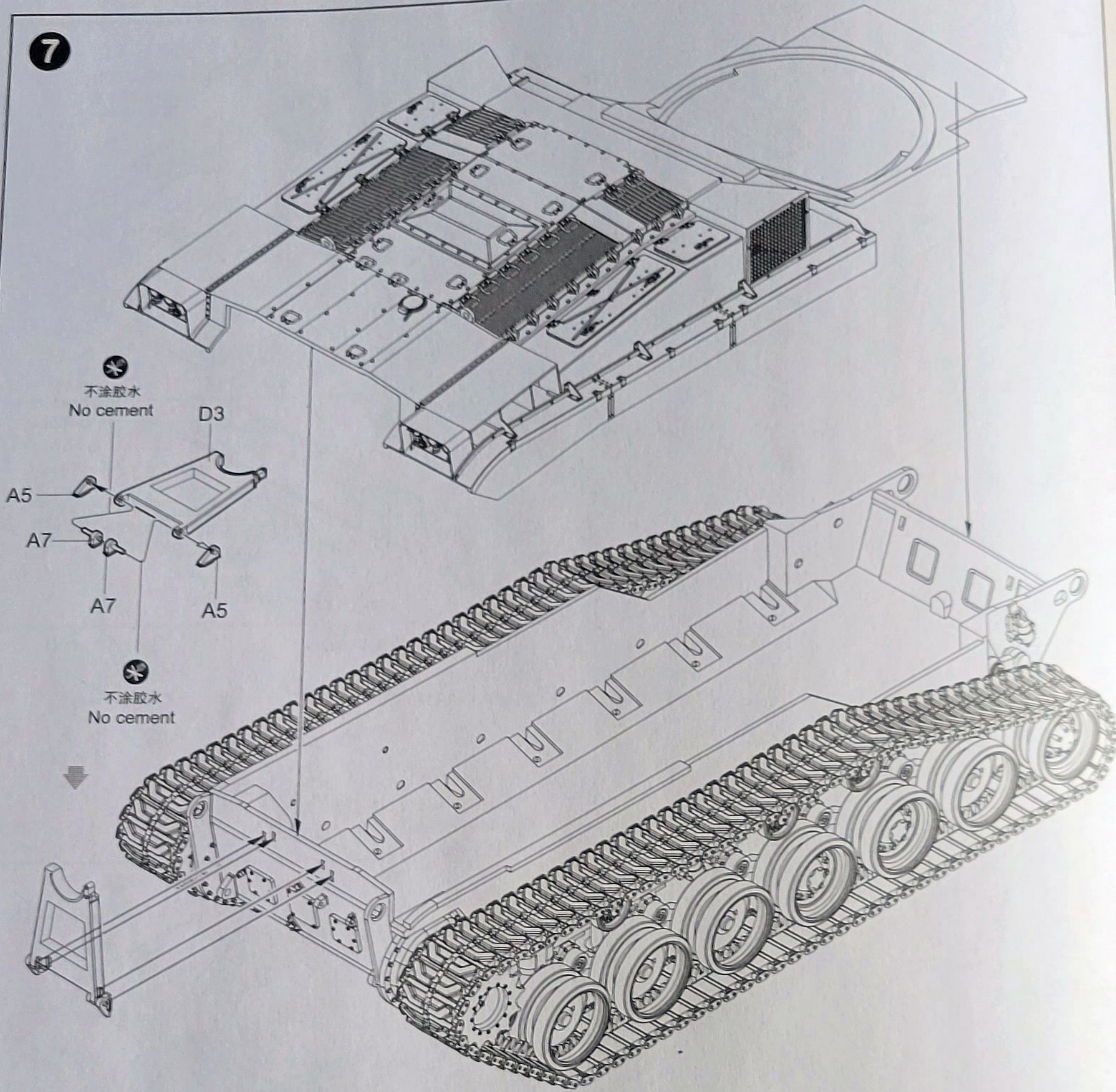
24

5



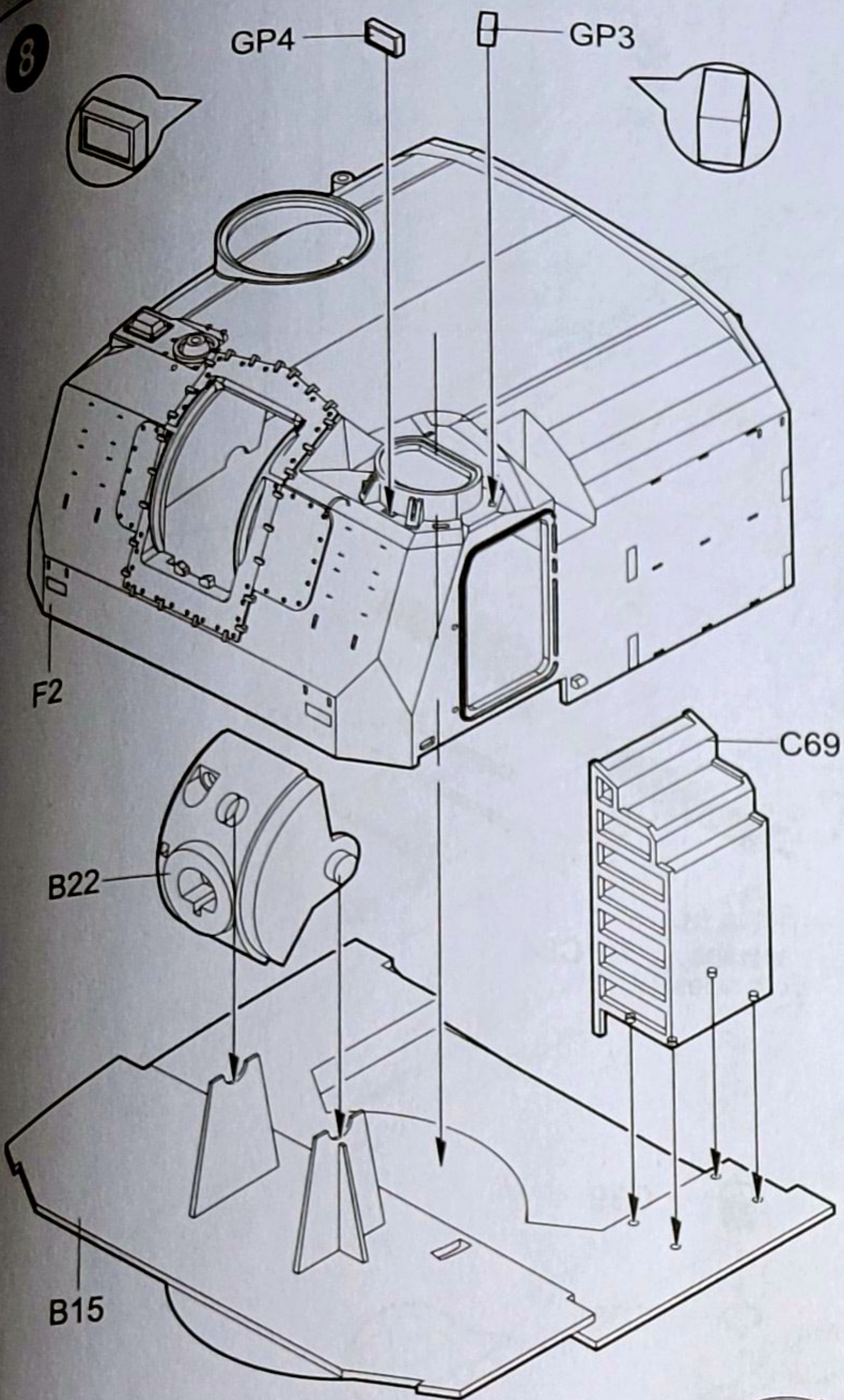


7

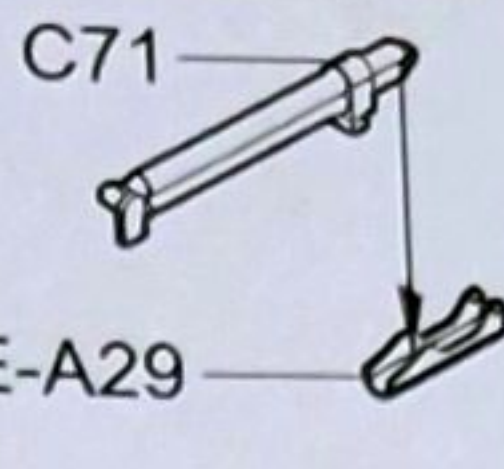


25

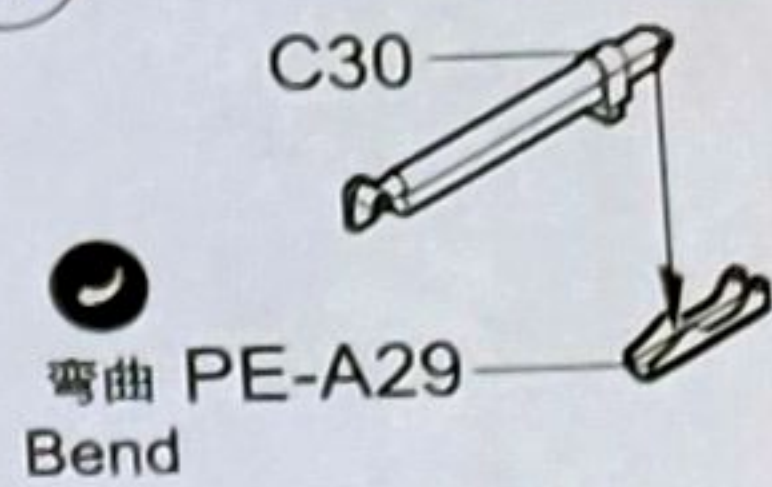
8



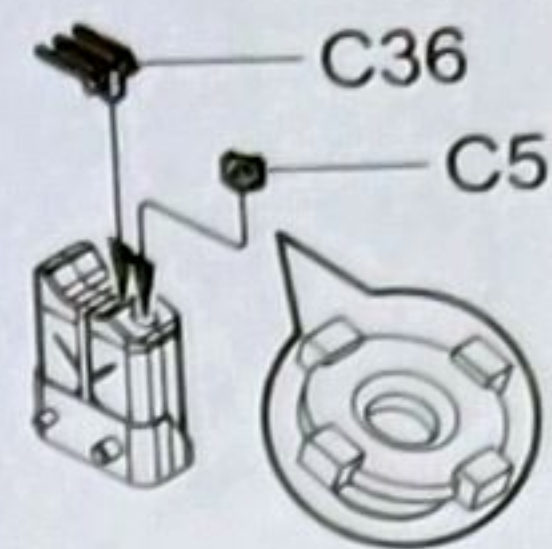
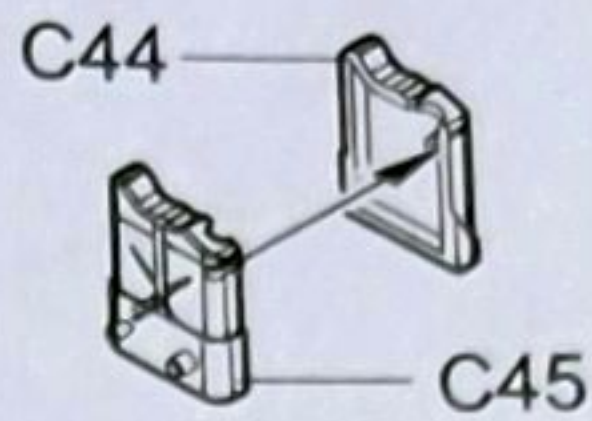
26



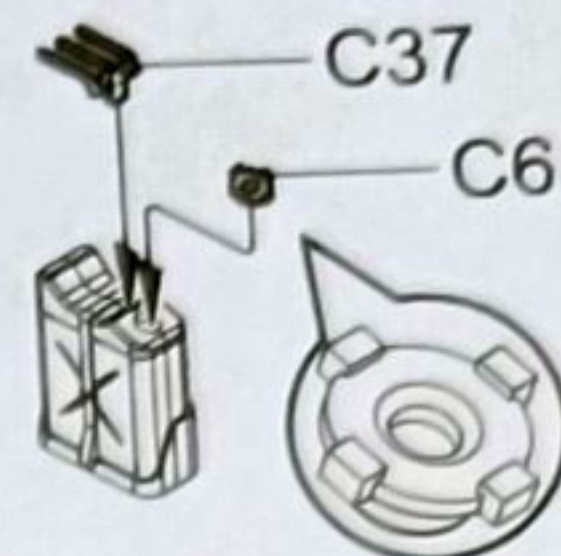
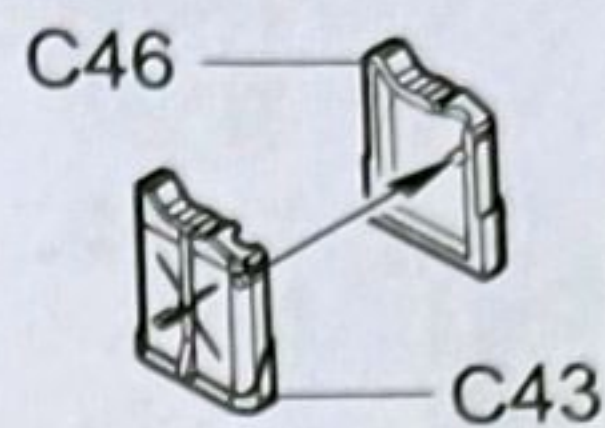
27



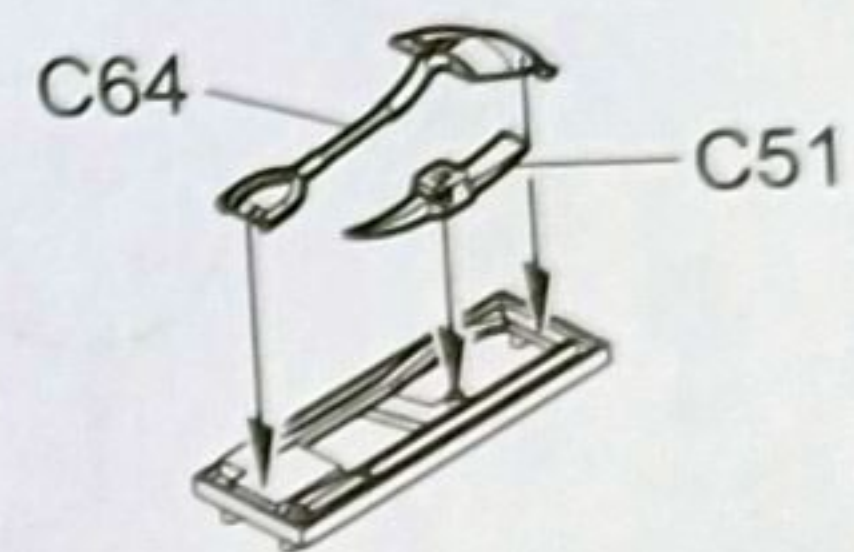
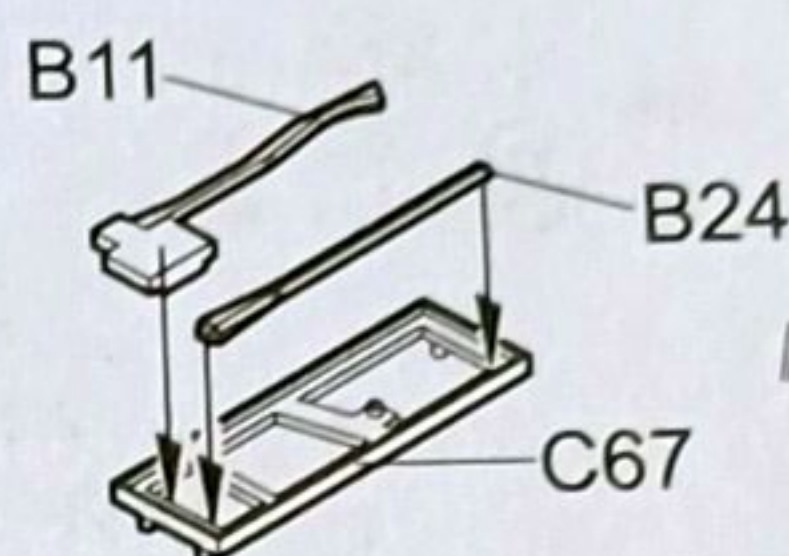
28



29



30



对侧 27
Opposite 27

26



C18

B18

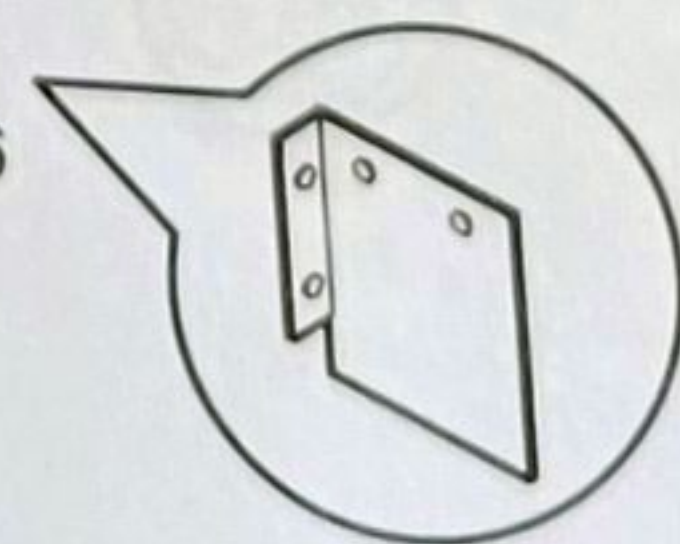
PE-B1
对侧 PE-B2
Opposite PE-B2

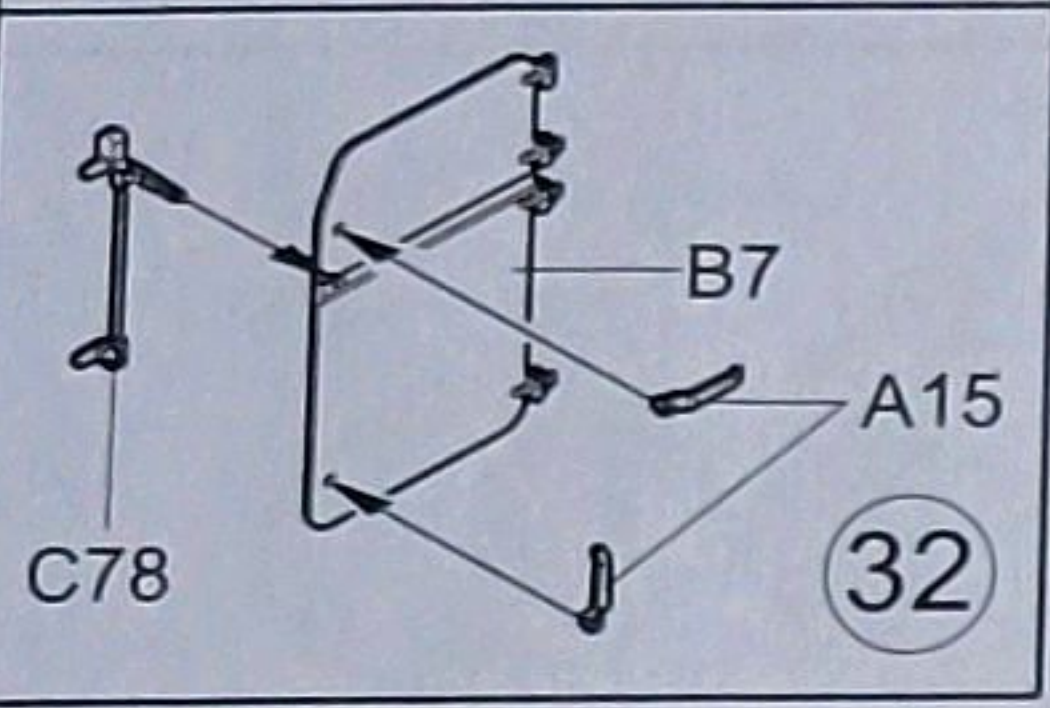
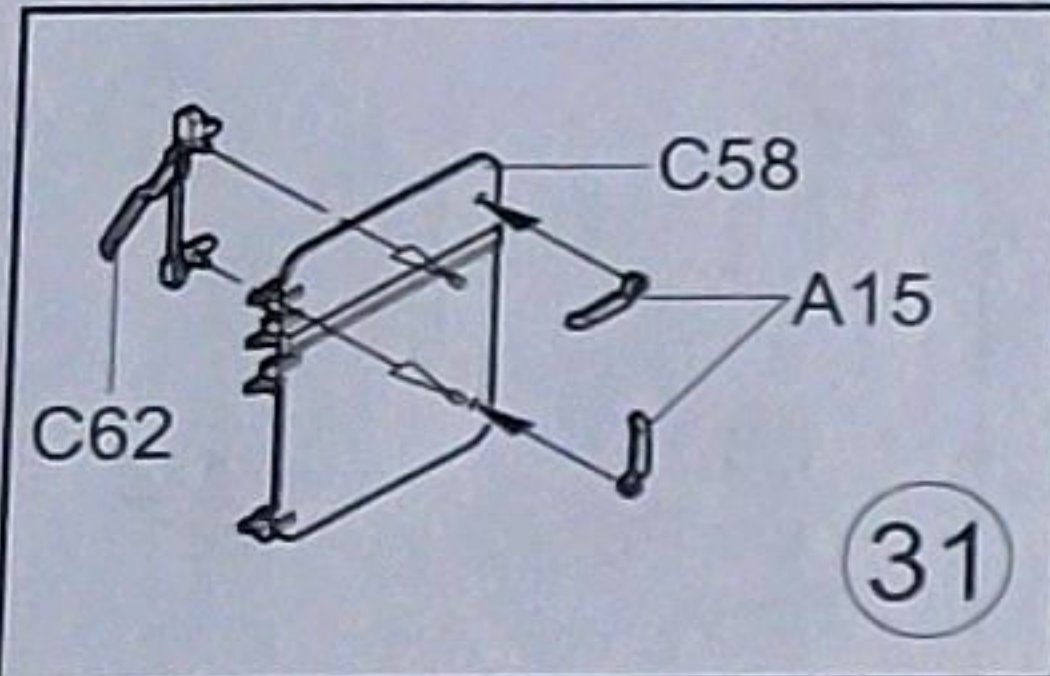
弯曲
Bend

弯曲
Bend
对侧 PE-B4
Opposite PE-B4
PE-B3

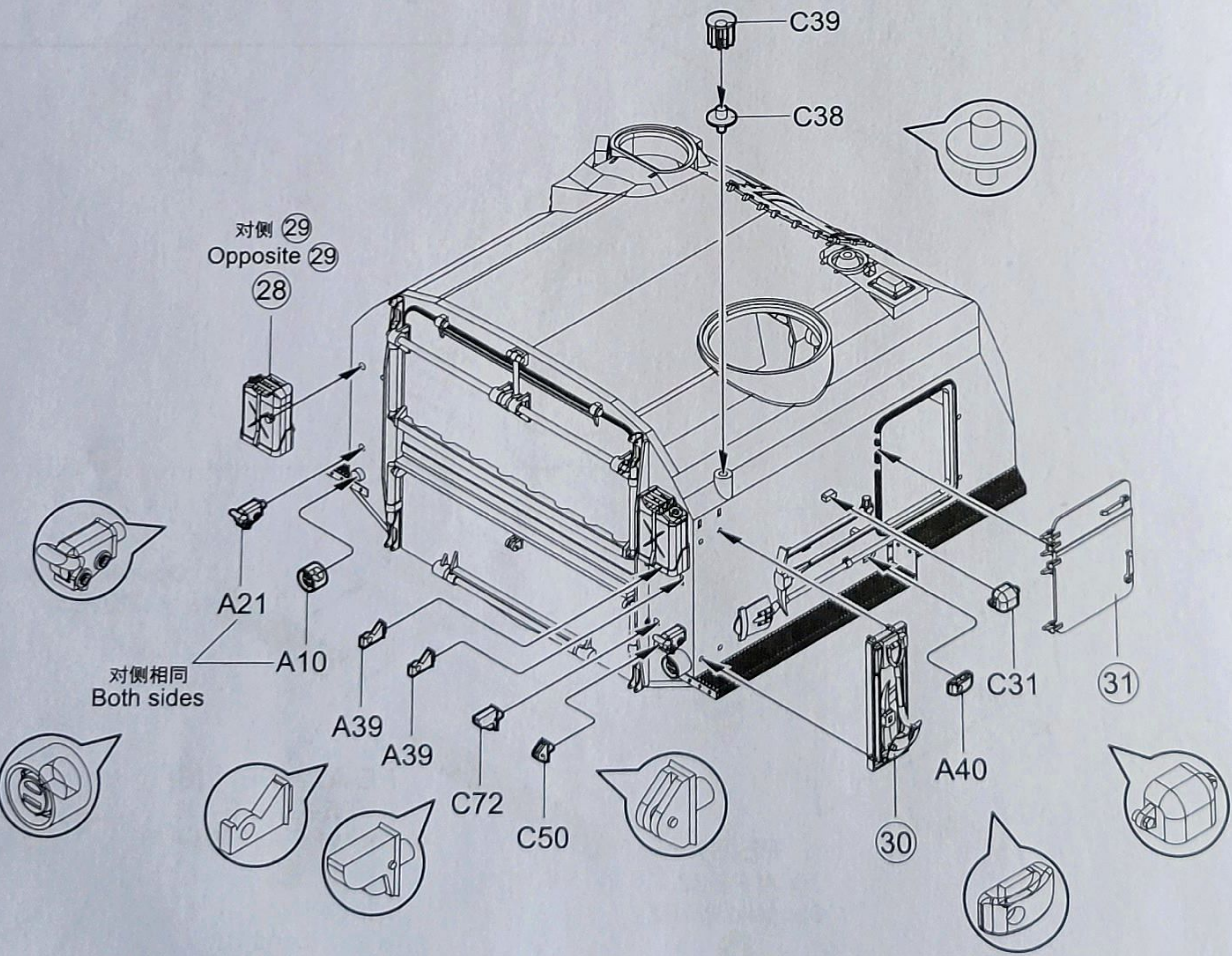
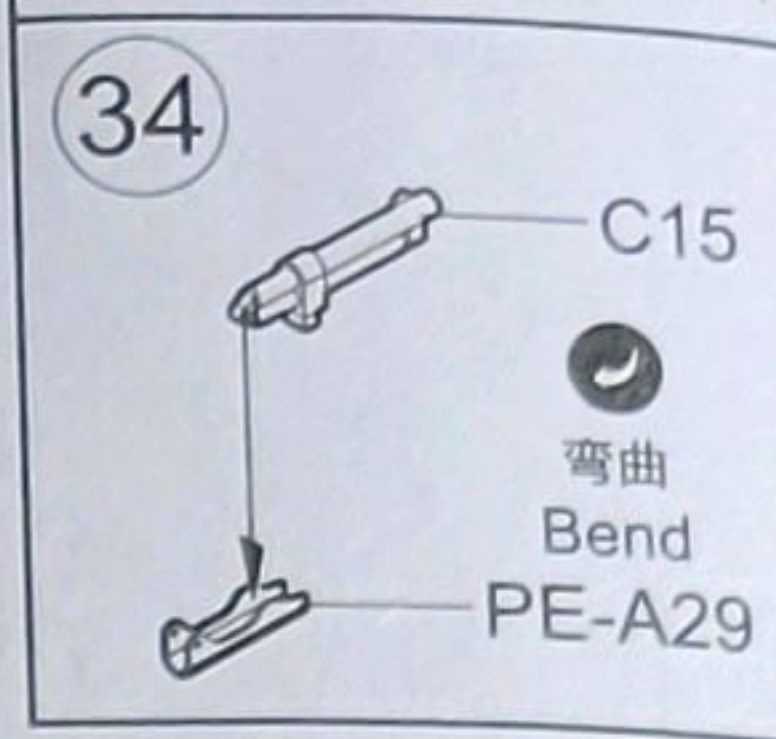
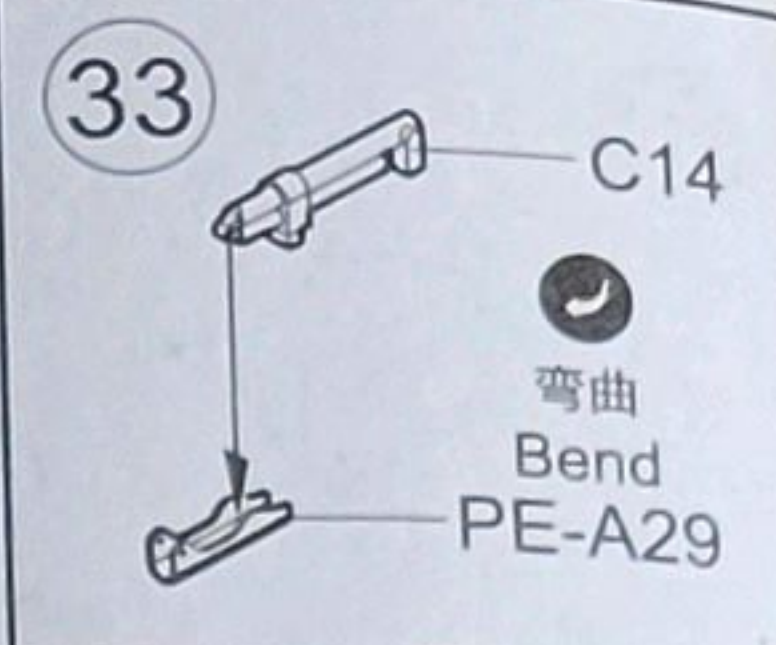
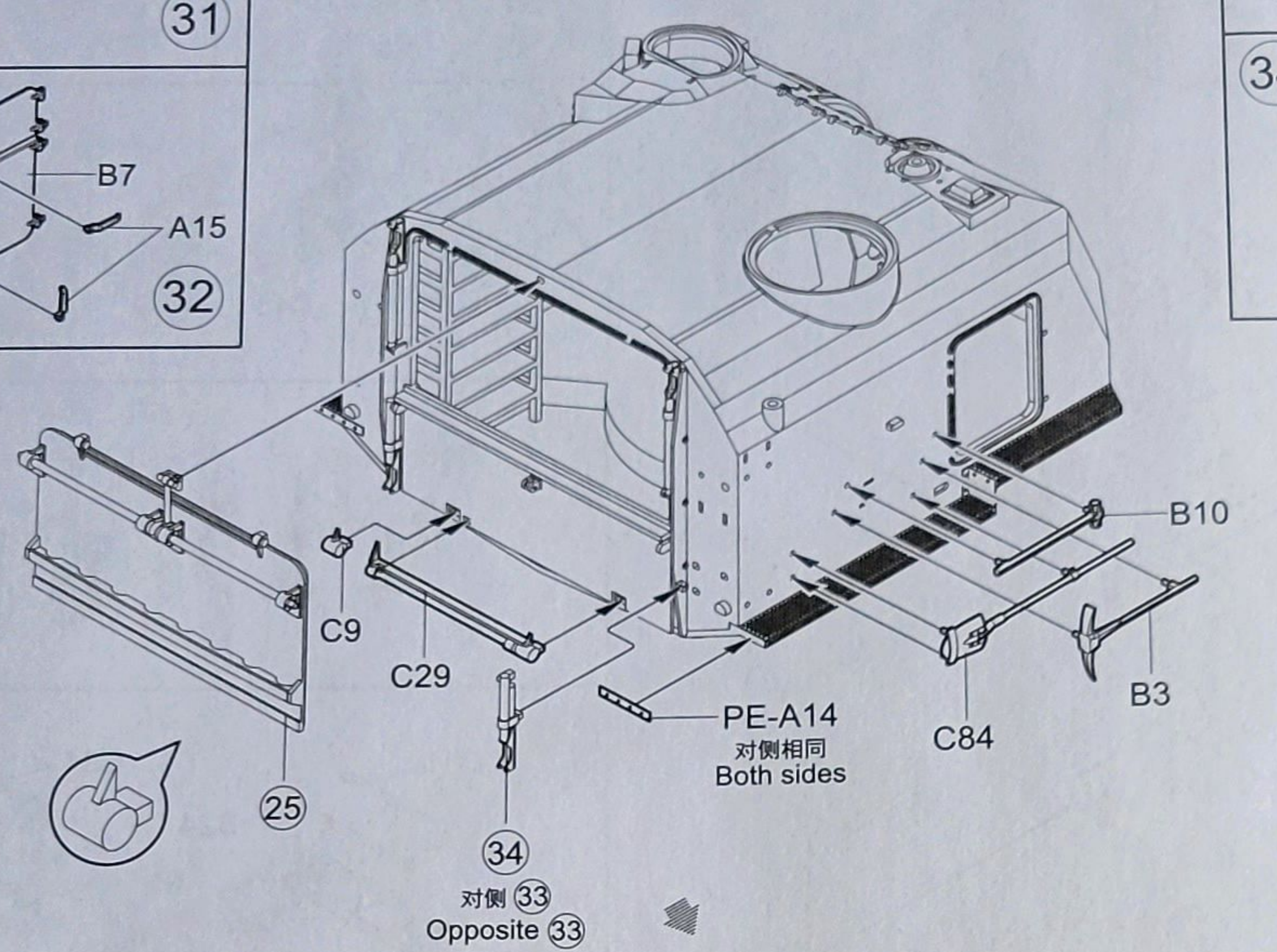
PE-A22+PE-A16
对侧 PE-A21+PE-A16
Opposite PE-A21+PE-A16

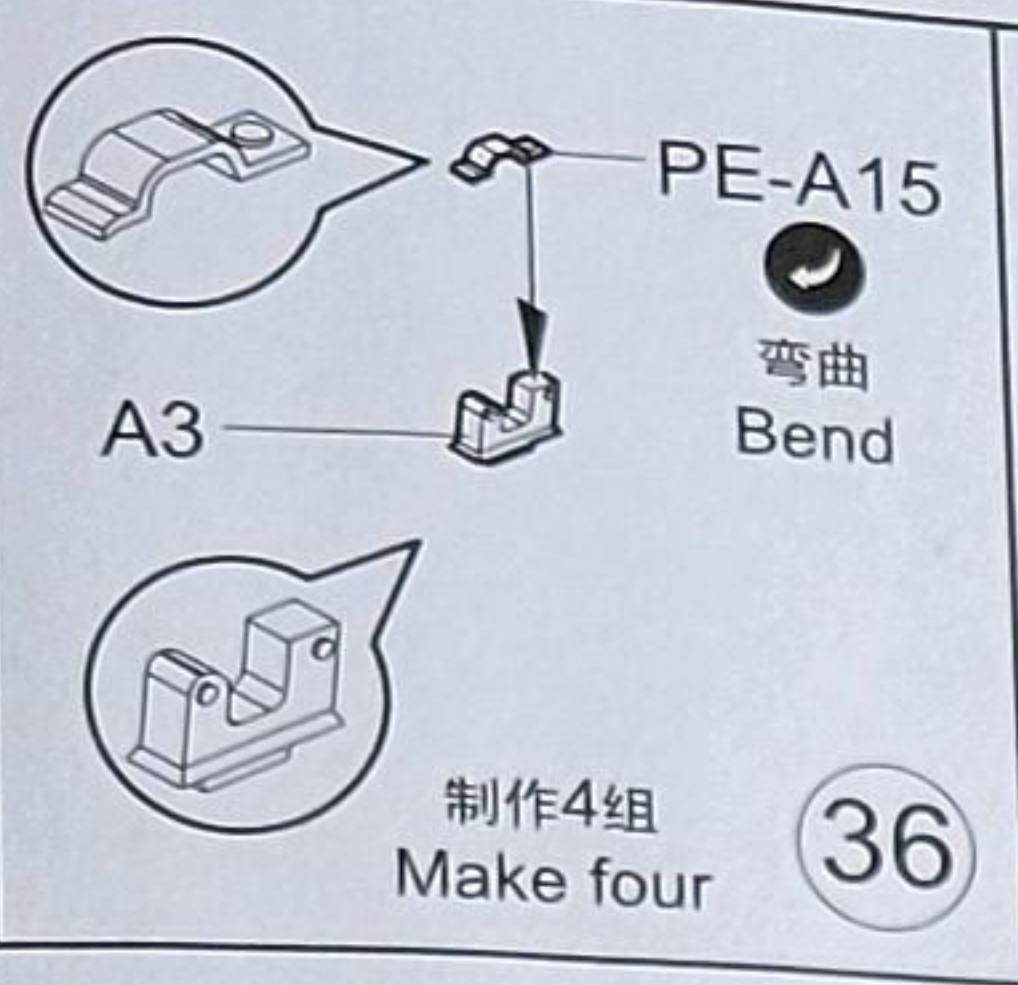
弯曲
Bend



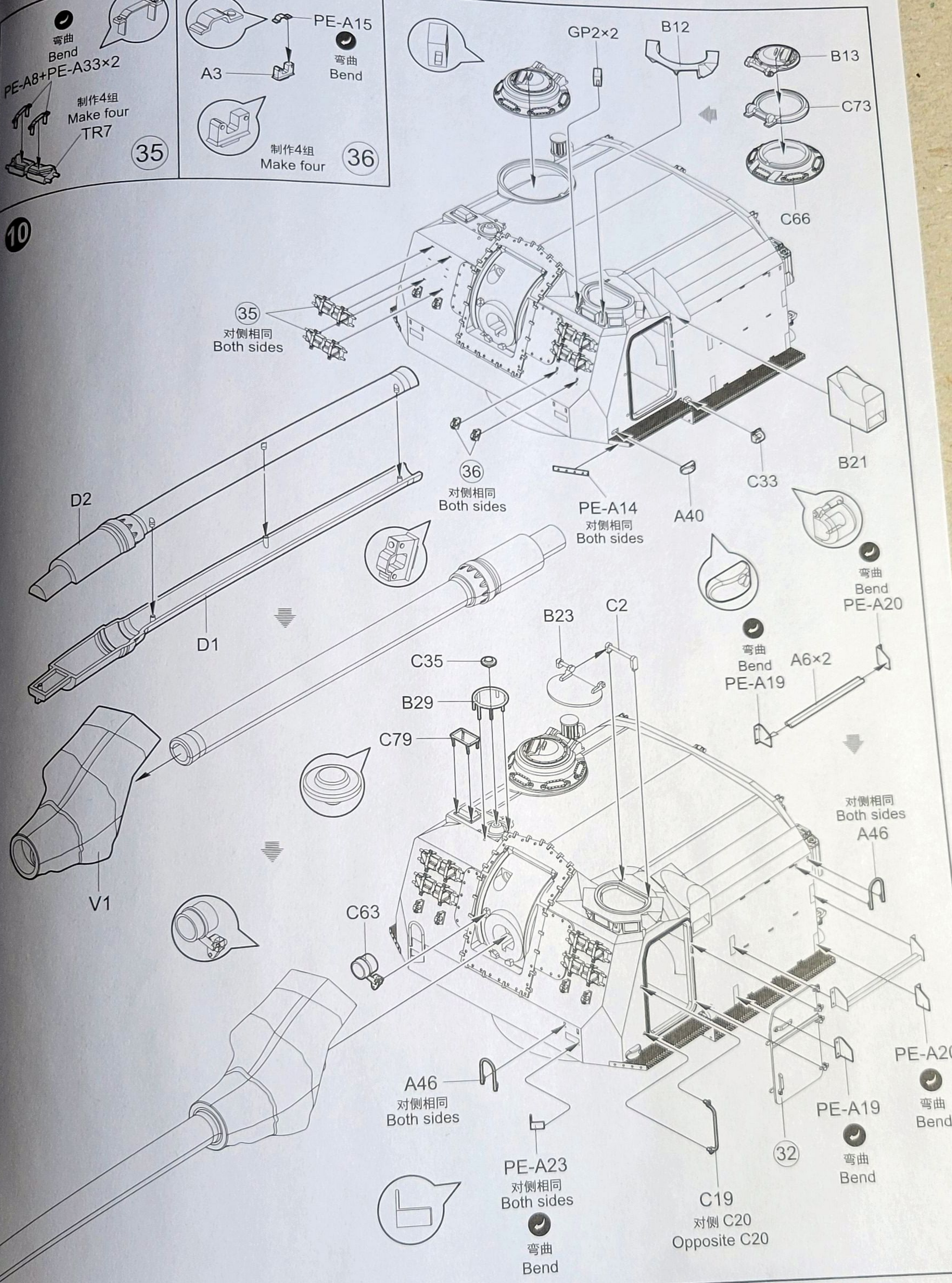


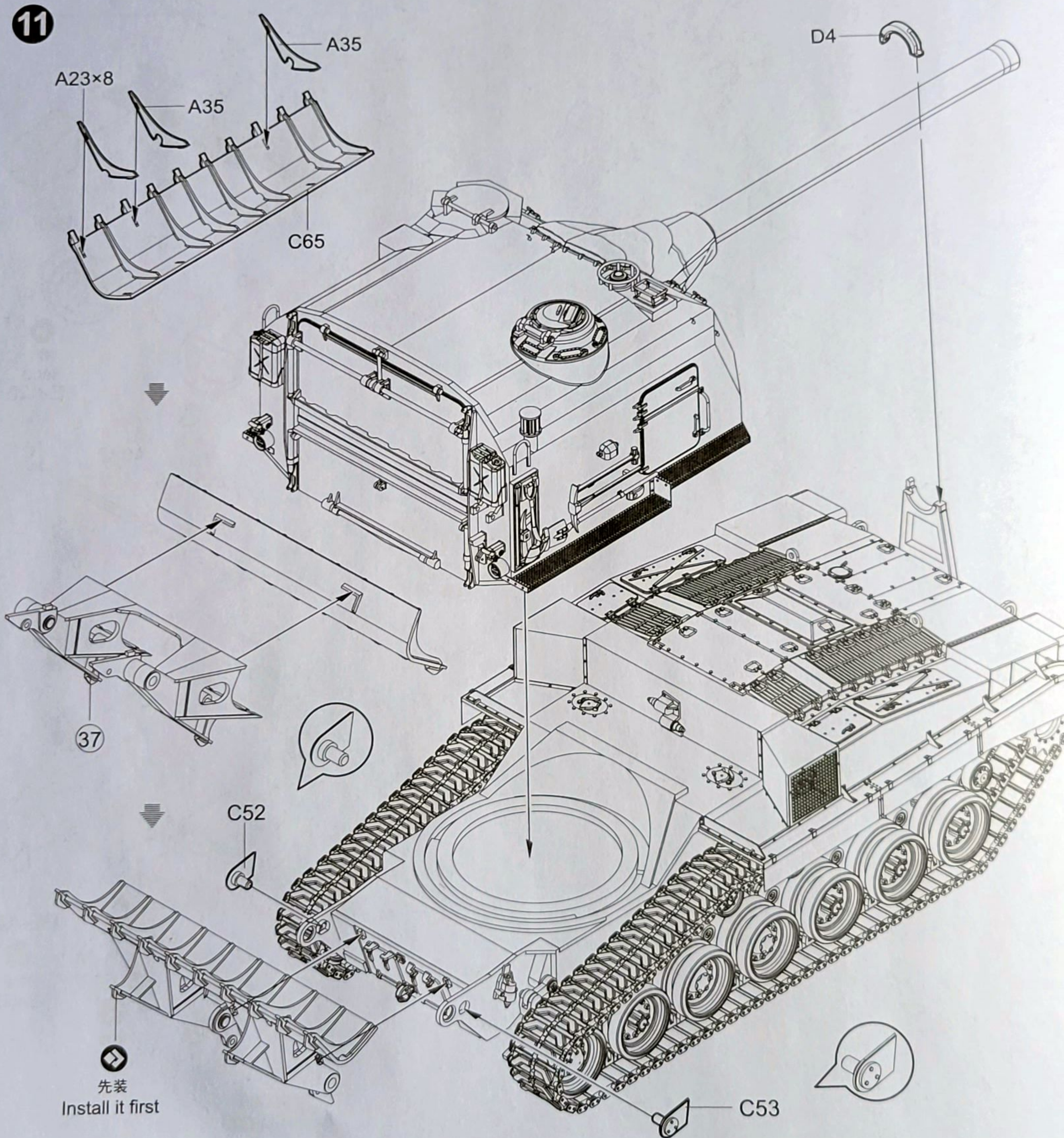
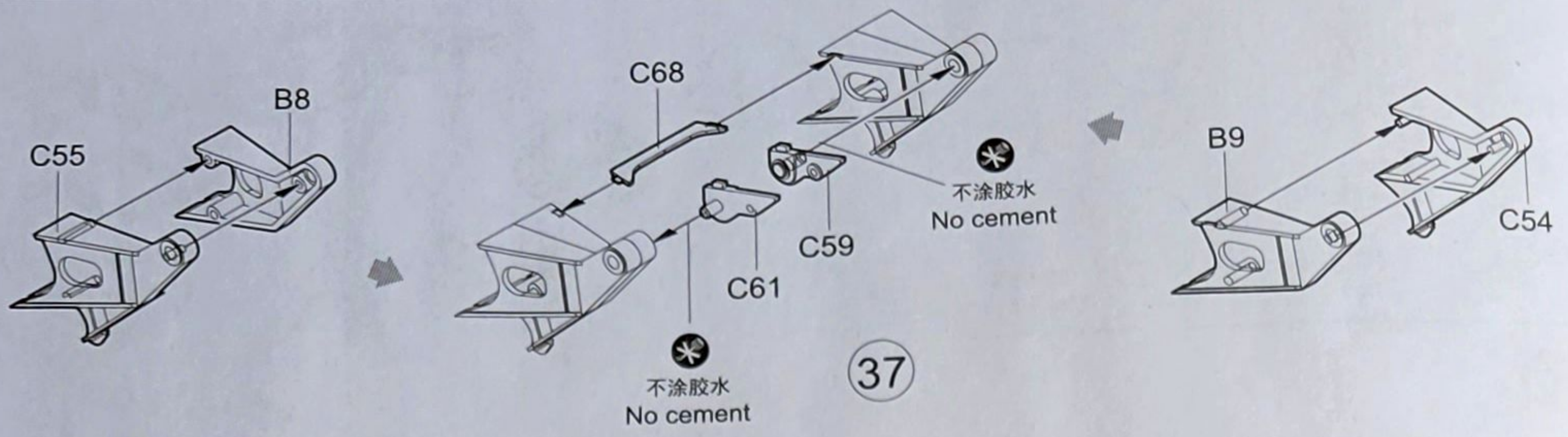
9



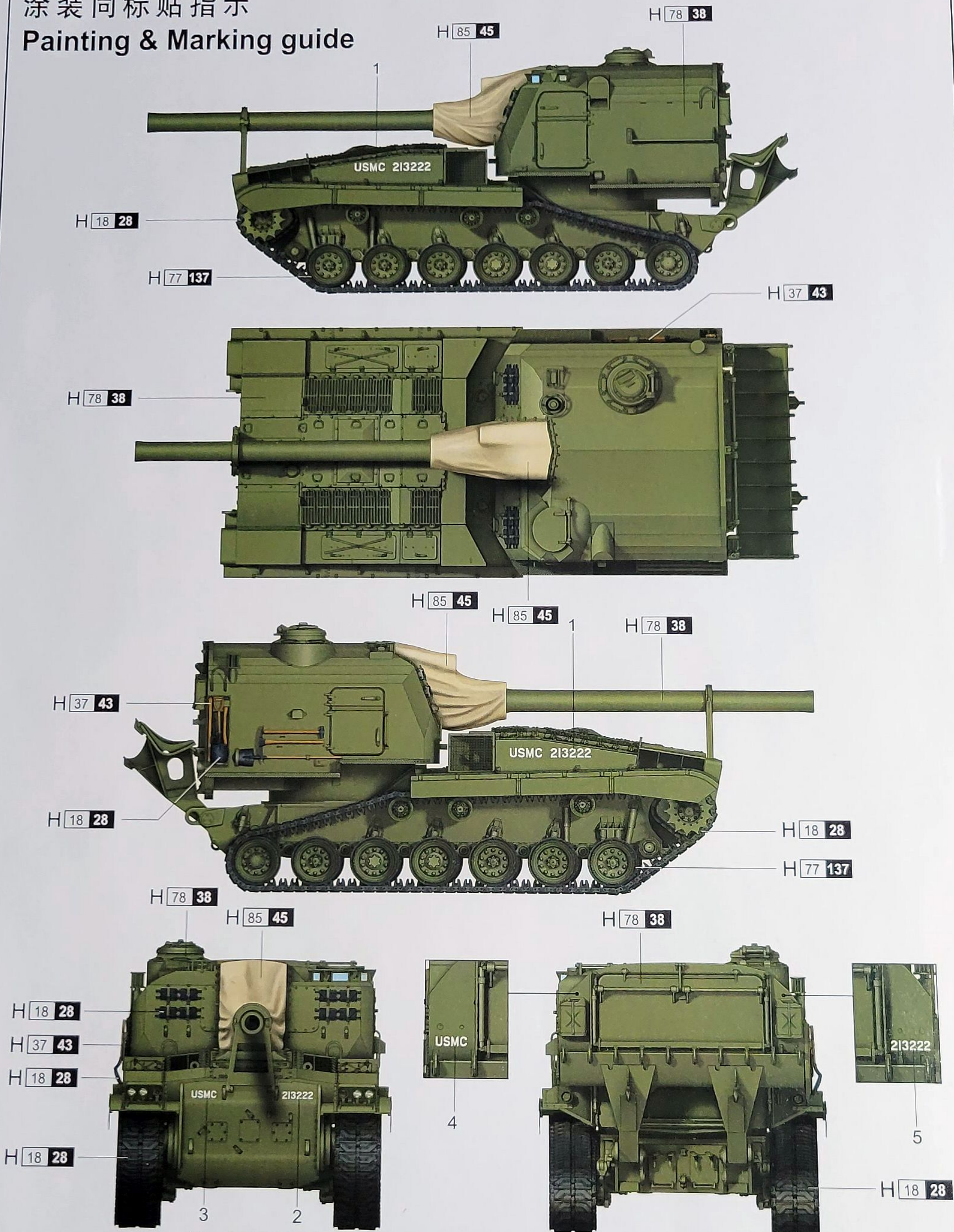


10





涂装同标贴指示 Painting & Marking guide



H AQUEOUS HOBBY COLOR Mr. COLOR N ACRYCION COLOR

PAINT REFERENCE COLOR

Color	Mr.Hobby	Acrycion	Vallejo	Model Master	Tamiya	Humbrol	Color	Mr.Hobby	Acrycion	Vallejo	Model Master	Tamiya	Humbrol
Olive Drab(2) 橄欖(2)	H 78 38	N 78	—	—	—	—	Steel 黑铁色	H 18 28	N 18	864	1402	XF84	—
Wood Brown 木棕色	H 37 43	N 37	983	1701	—	186	Tire Black 胎黑色	H 77 137	N 77	—	—	XF85	—
Sail Color 船帆色	H 85 45	N 85	—	—	—	—							