

# Su-30MKK Flanker G

## Su-30 MKK フランカー G 苏-30MKK“侧卫”G战斗机

### PLEASE READ BEFORE OPERATION!

- \* Tools recommended as below: (Not included)  
Adhesives; Paints; Side Cutters; Sharp Edged Pliers; Modeling Knife; Modeling File; Nippers; Drill; Scissors; Sand Paper; Soft Cloth; Cyanoacrylate Glue.
- \* Make sure to read this instruction listed below before assembling.
- \* The kit contains the small parts, they can be dangerous if swallowed by mistake, so keep them away from reach of children.
- \* Cut the all parts off carefully and remove the waste parts into the garbage can.
- \* More caution and care should be needed for cutting and handling the photo etched parts.
- \* Make attention that some parts should be attached the decal when assembled.
- \* During assembling, please tear up and throw away the plastic bags, or may cause the dangerous if wearing over head by children's mistake.
- \* When using the adhesives and paints, please do not use them in the closed room or near the fire, also must be very careful to protect your eyes, face and clothes.
- \* Adult supervised when assembled by children under 14 years old.

### 装配前请仔细阅读:

- \* 推荐使用的模型工具(请自备):  
专用模型胶水, 专用模型油漆, 水口剪刀, 长咀钳, 刀片, 锉刀, 镊子钳, 钻, 剪刀, 软布, 砂纸, 瞬间快干胶等。
- \* 用水口剪刀或刀片小心切下所有塑胶零件和蚀刻片零件, 不要遗失小零件。
- \* 切取蚀刻片时应特别注意防止利边划伤手指。
- \* 用模型锉刀小心锉平所有零件表面的注射浇口。
- \* 用适量的强力快干胶水粘合蚀刻片零件和金属轴, 切忌过量, 否则可能导致可动零件被粘住。
- \* 注意某些零件表面需在装配时同步贴水上贴纸。
- \* 制作时应远离幼儿并将包装袋及时收妥, 谨防小孩玩耍而引起意外。



using ca super glue  
使用强力胶



weight  
配重



make hole  
钻孔



cut / remove  
切除



option  
选择



no cement  
不涂胶水



decal  
贴纸



bend  
弯曲



repair  
填补



install it first  
先装

### The method to apply the decals

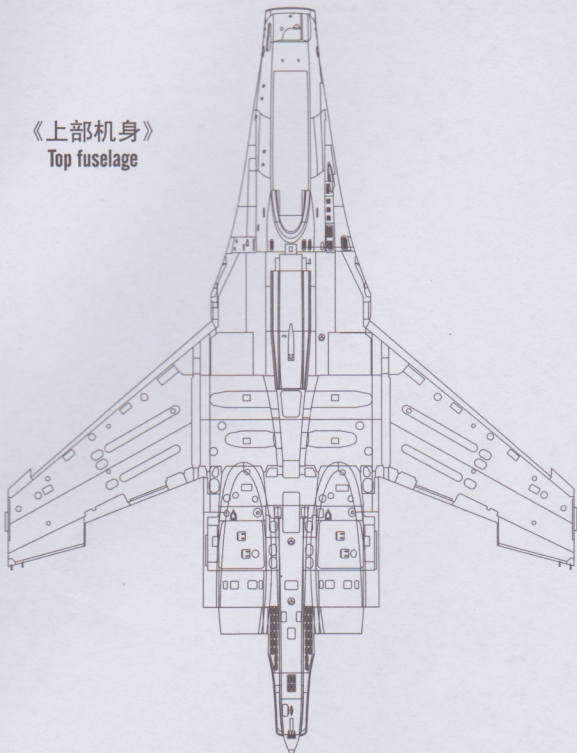
1. Cut off the decal from the decal paper and put it into the warm water 40°C for 10 seconds.
2. Take the decal from the water and put it on a piece of clean cloth.
3. Remove the decal slowly from the paper to the targeted location by a wet finger.
4. Use a piece of dry and soft cloth to press it gently on the decal until it getting dry and no bubble existing.

### 水贴纸的使用方法:

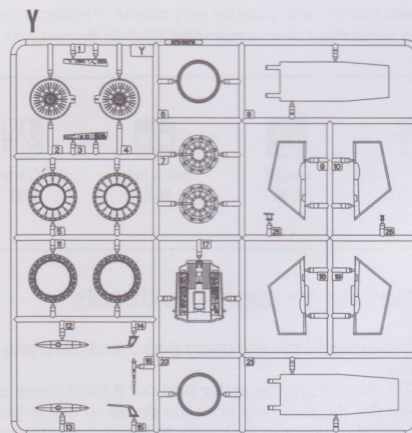
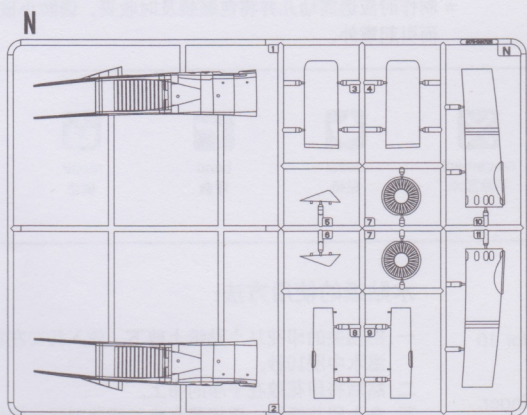
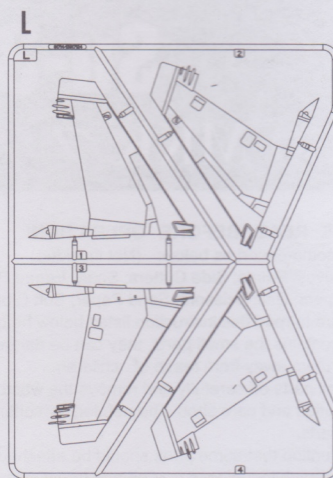
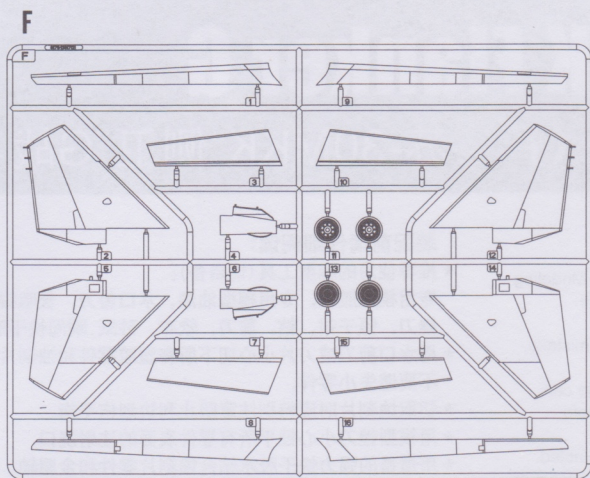
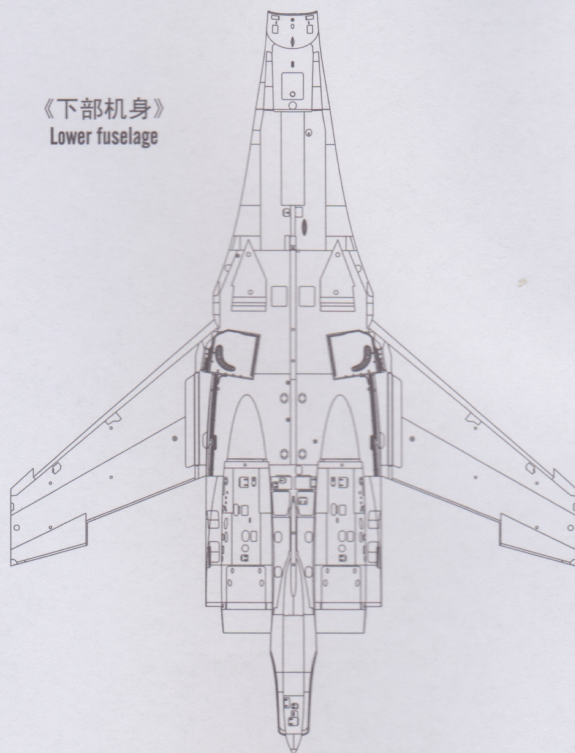
- 一. 把相关的印花从水贴上剪下, 放入40°C左右的温水中浸10秒。
- 二. 然后将印花放在干净的布上。
- 三. 拿上印花纸, 手指蘸水将印花移到适当的位置。
- 四. 用软干布轻压印花直至水干, 气泡消失。

部品图 Parts

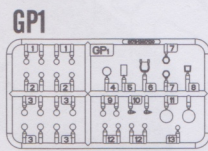
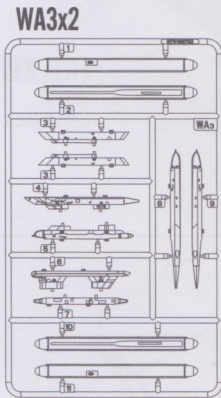
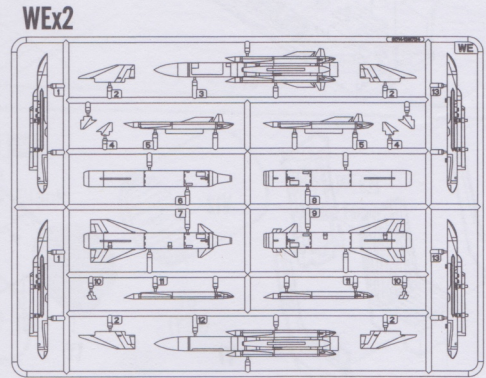
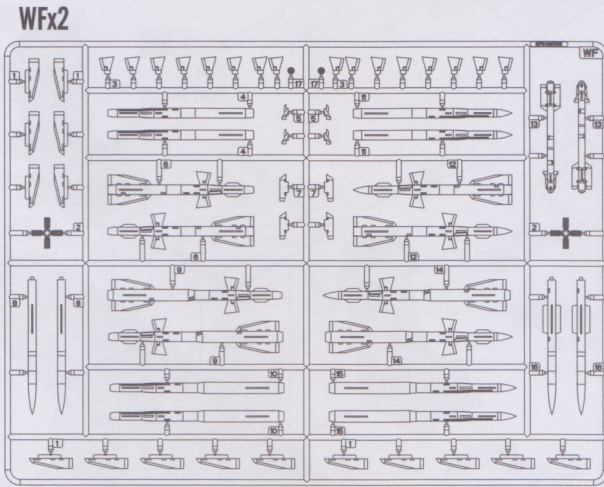
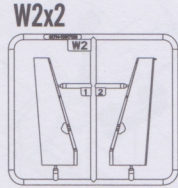
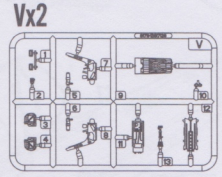
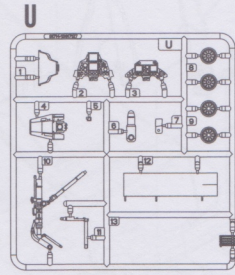
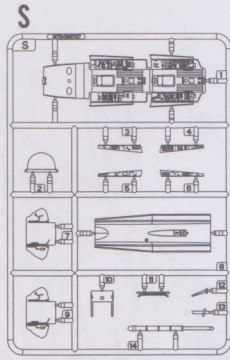
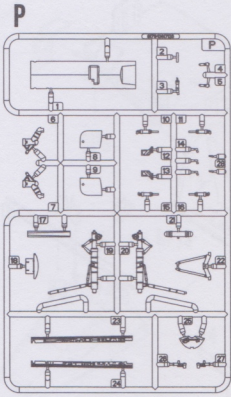
《上部机身》  
Top fuselage



《下部机身》  
Lower fuselage

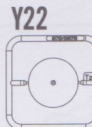
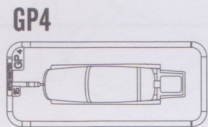


# 部品图 Parts

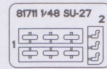


《前轮胎》x2  
Nose tyre

《主轮胎》x2  
Main tyre

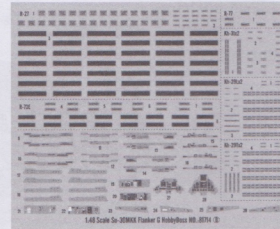
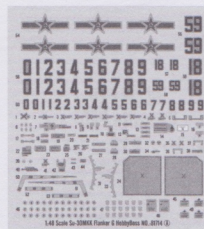


《蚀刻片》  
Photo etcheH part(PE)



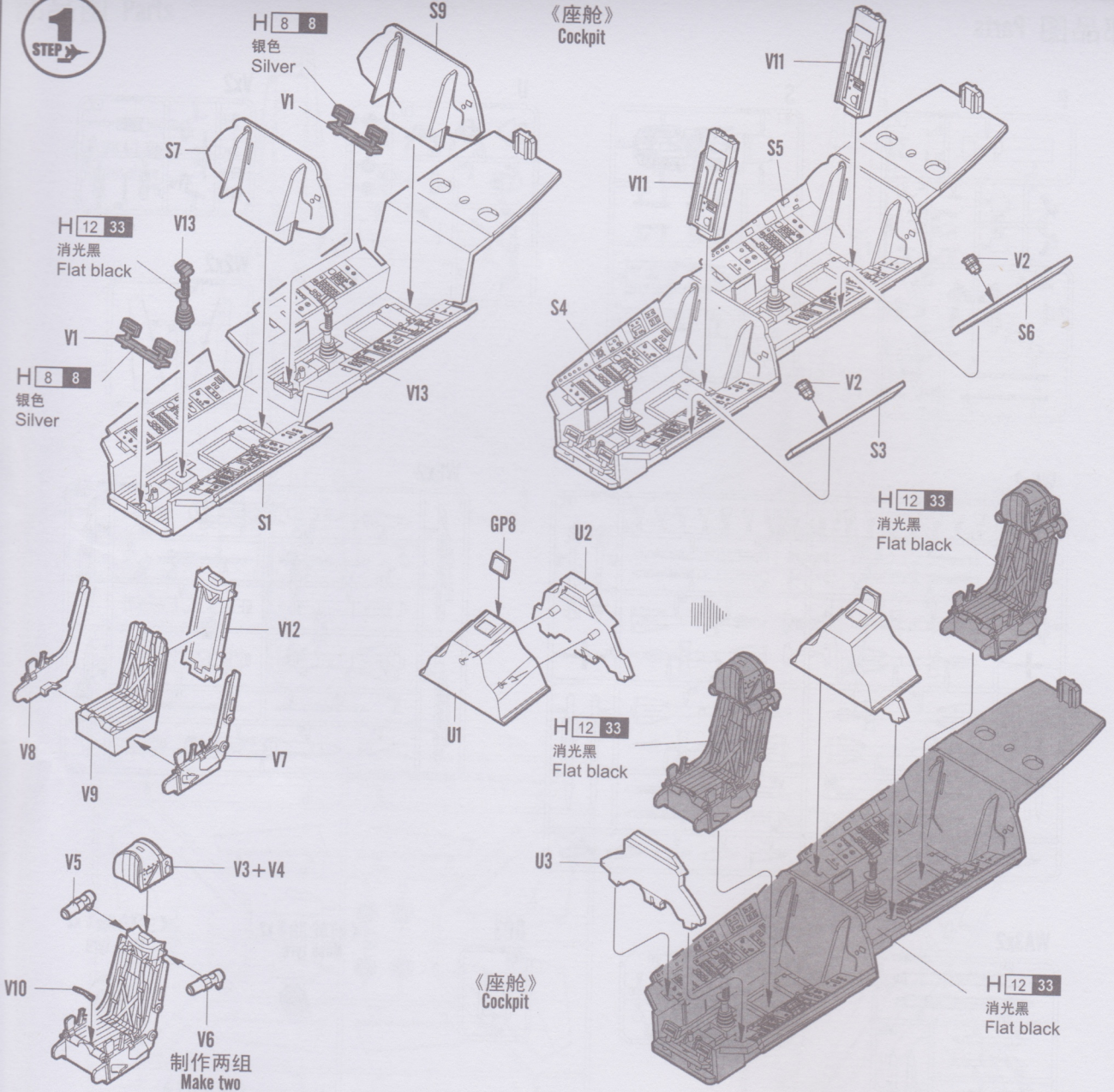
《水贴纸》A  
Decal

《水贴纸》B  
Decal



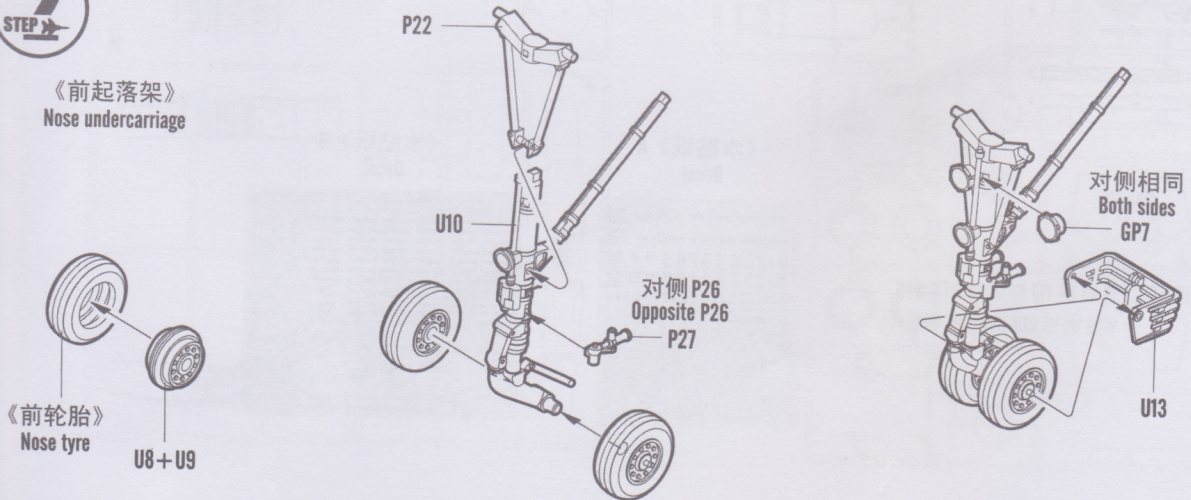
不用的部件: Y1 Y3 Y8 Y17 P14 P28 WF4 WF6  
WF9 WF10 GP1 GP2 GP3 GP6

**1**  
STEP

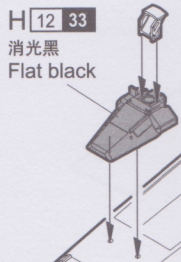
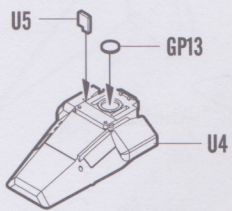
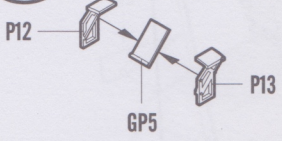


**2**  
STEP

**《前起落架》  
Nose undercarriage**



3  
STEP



H 12 33  
消光黑  
Flat black

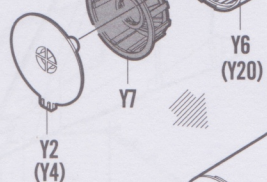
对侧 F10 + F15  
Opposite F10 + F15  
F3 + F7

《上部机身》  
Top fuselage

H 56 72  
灰蓝色  
Intermediate Blue

H 18 28  
黑铁色  
Metal Black

制作两组  
Make two



对侧 P8  
Opposite P8  
P9

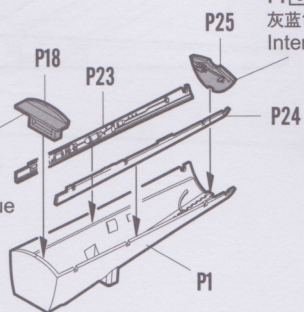
U6

《前起落架》  
Nose undercarriage

H 56 72  
灰蓝色  
Intermediate Blue

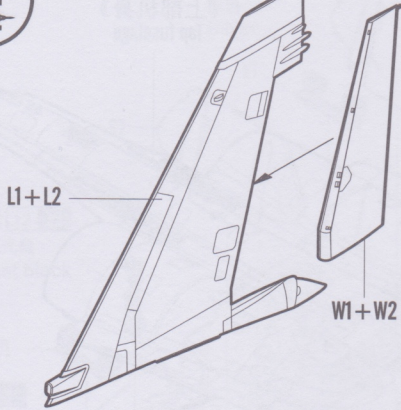
H 56 72  
灰蓝色  
Intermediate Blue

《下部机身》  
Lower fuselage

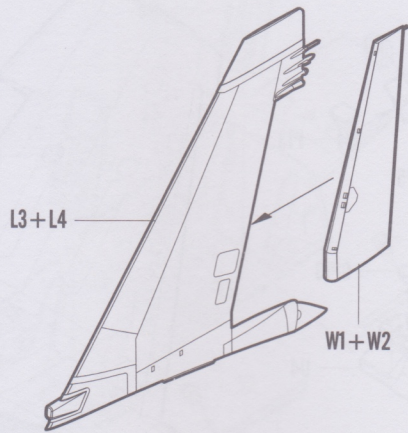




《右侧垂翼》  
Right vertical stabilizer

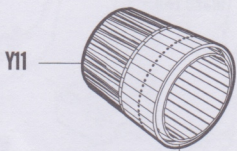


《左侧垂翼》  
Left vertical stabilizer

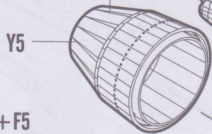


《右侧垂翼》  
Right vertical stabilizer

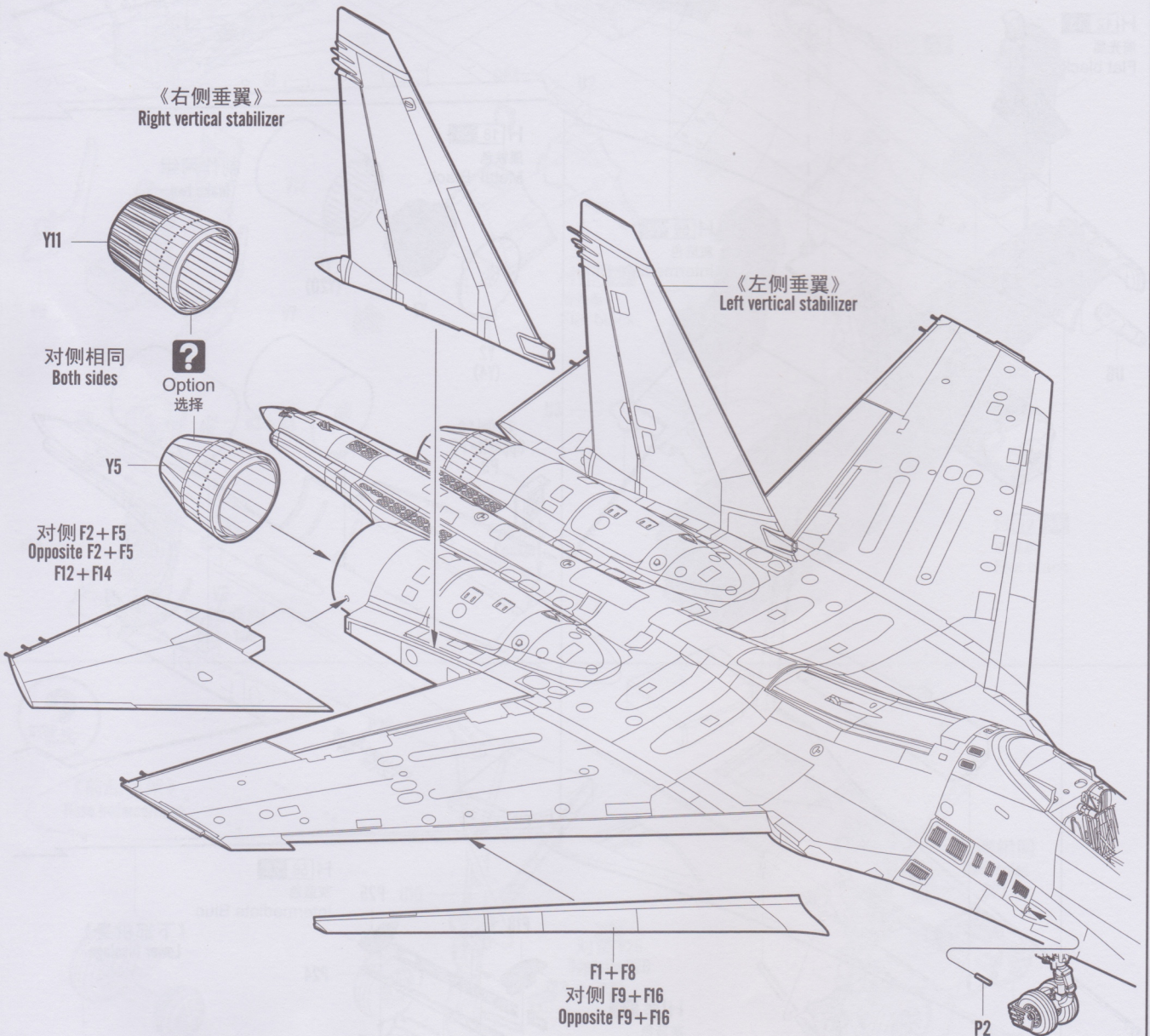
《左侧垂翼》  
Left vertical stabilizer



对侧相同  
Both sides

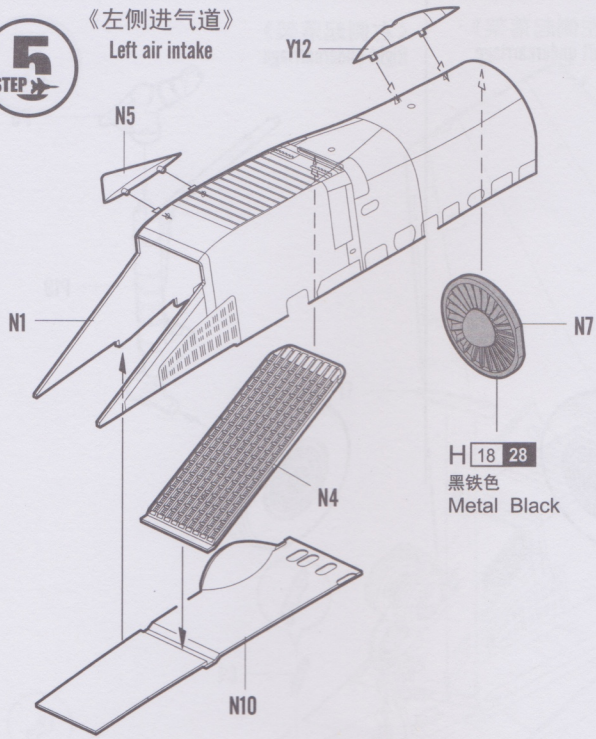


对侧 F2 + F5  
Opposite F2 + F5  
F12 + F14

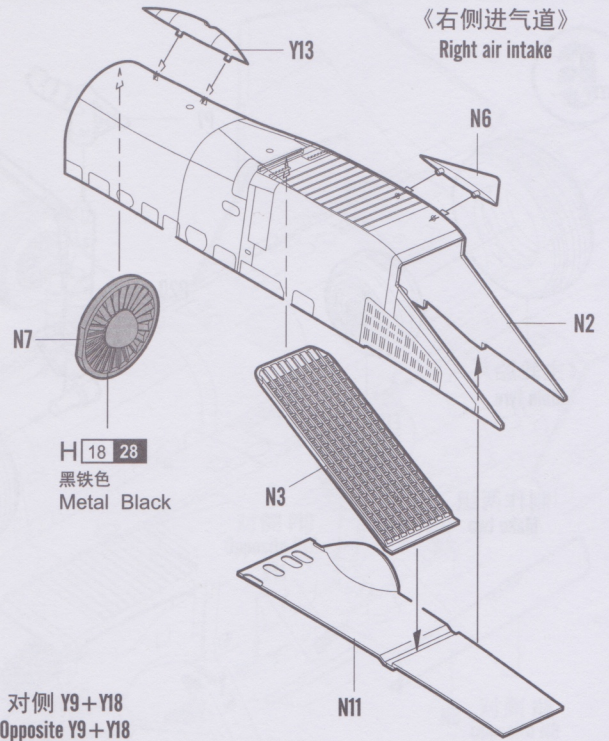




《左侧进气道》  
Left air intake

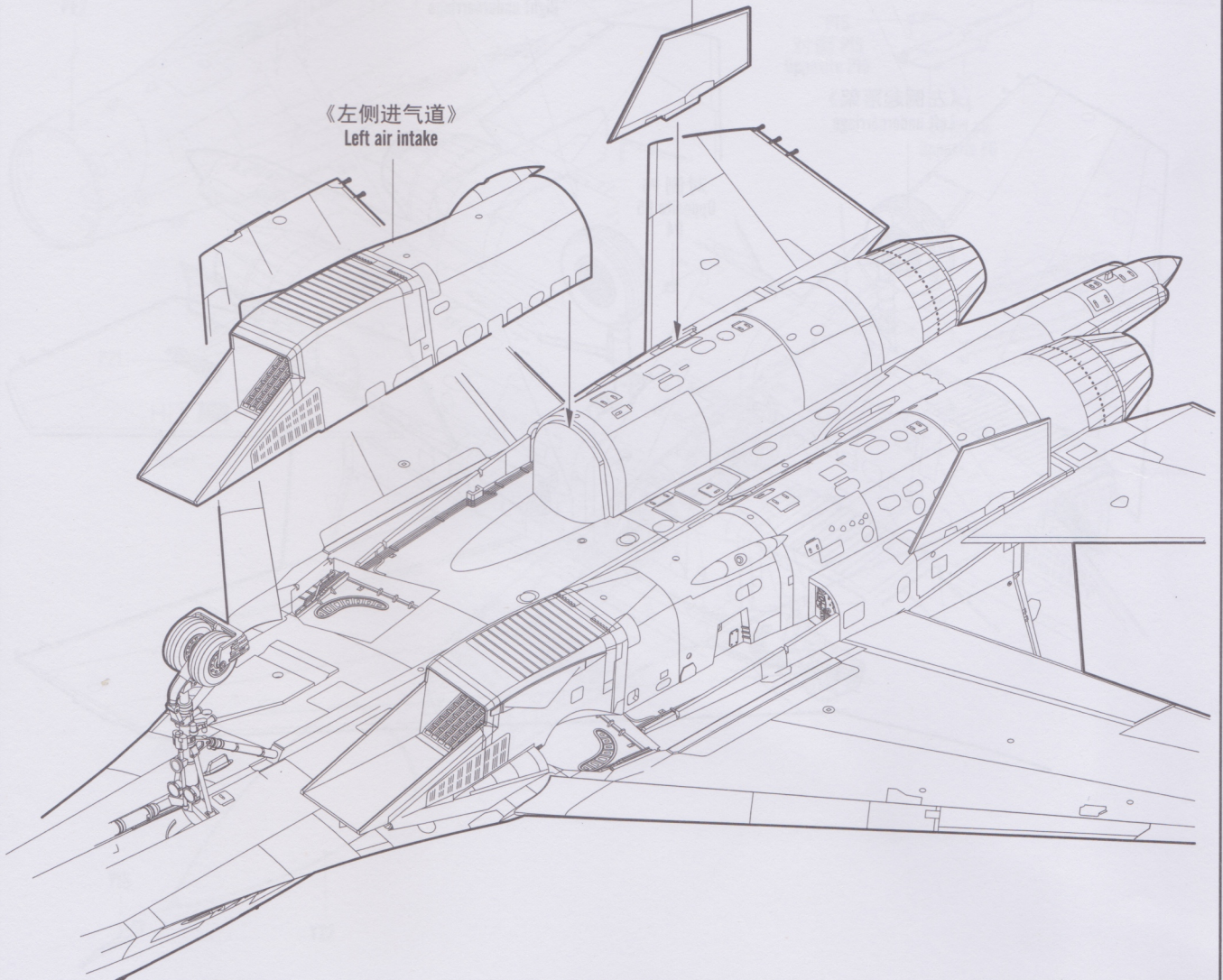


《右侧进气道》  
Right air intake

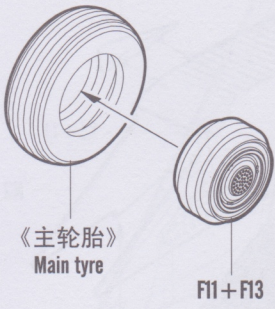


对侧 Y9+Y18  
Opposite Y9+Y18  
Y10+Y19

《左侧进气道》  
Left air intake

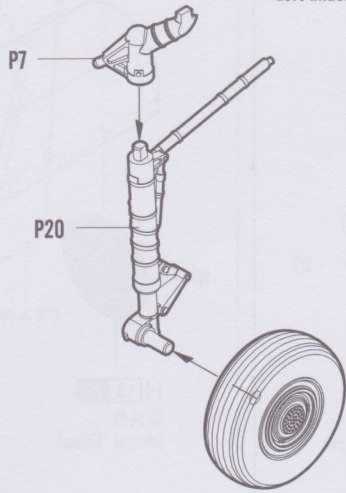


6  
STEP

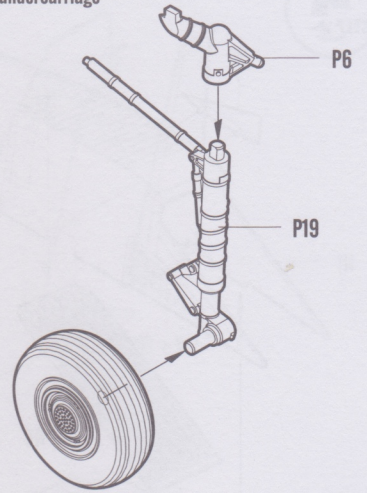


制作两组  
Make two

《左侧起落架》  
Left undercarriage



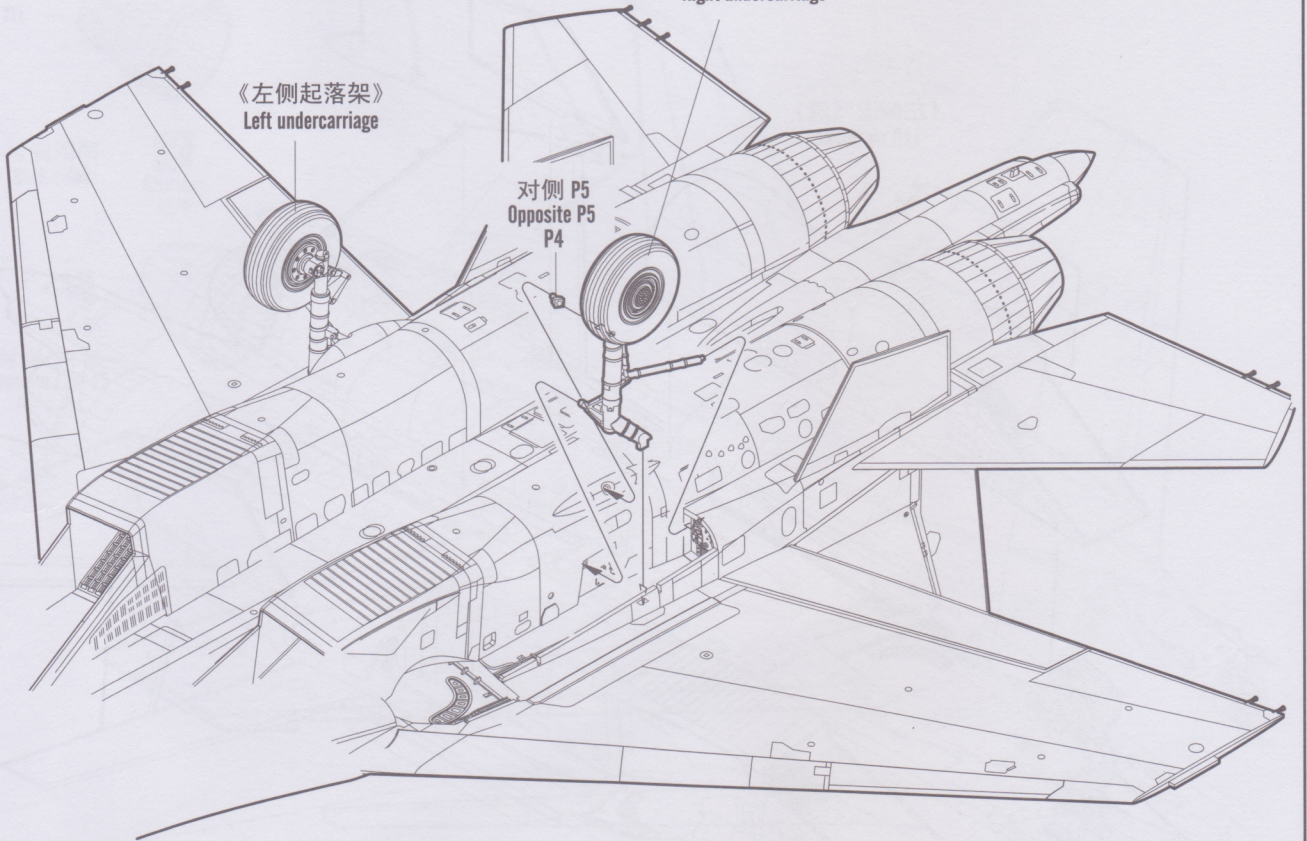
《右侧起落架》  
Right undercarriage



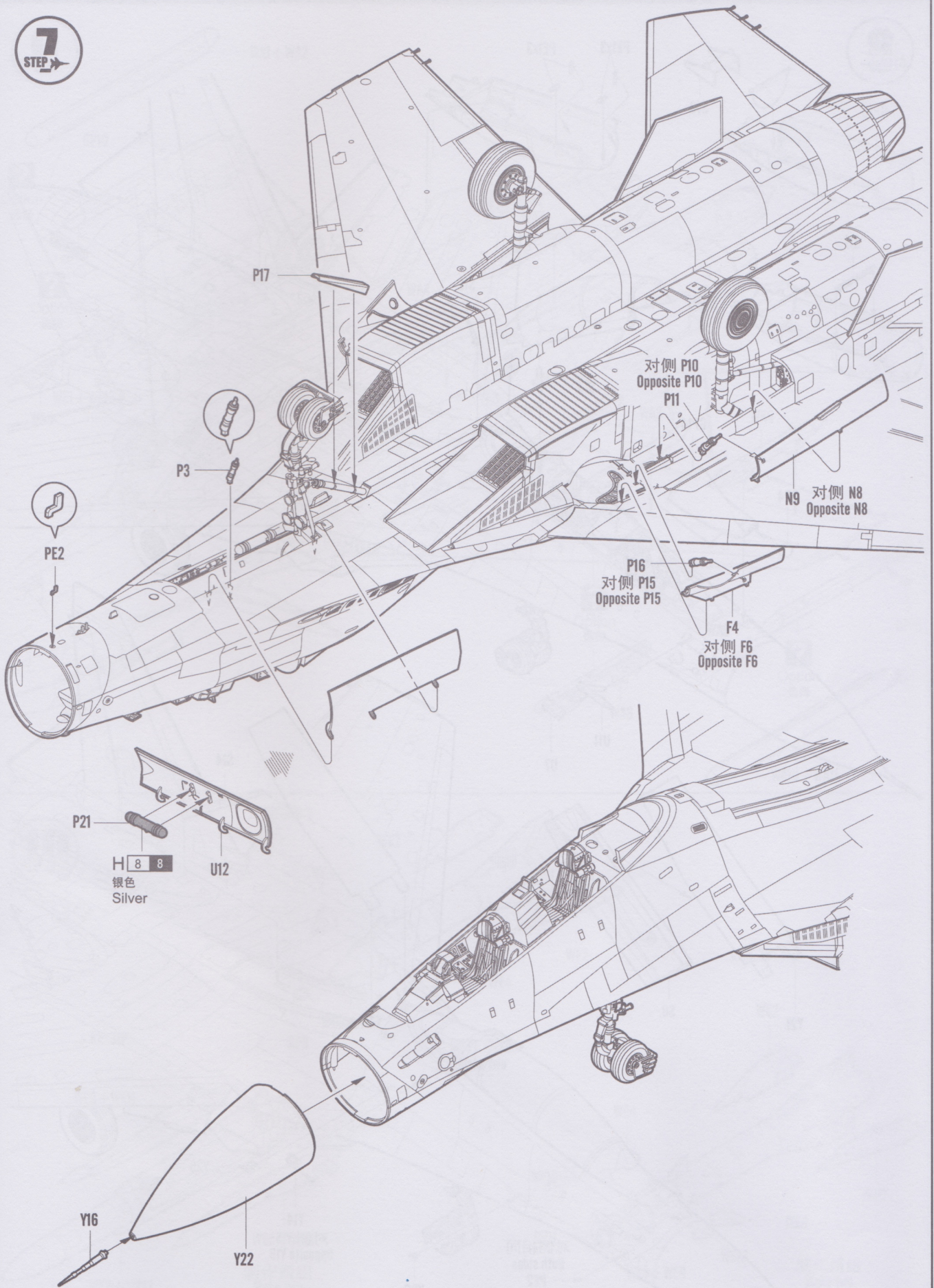
《右侧起落架》  
Right undercarriage

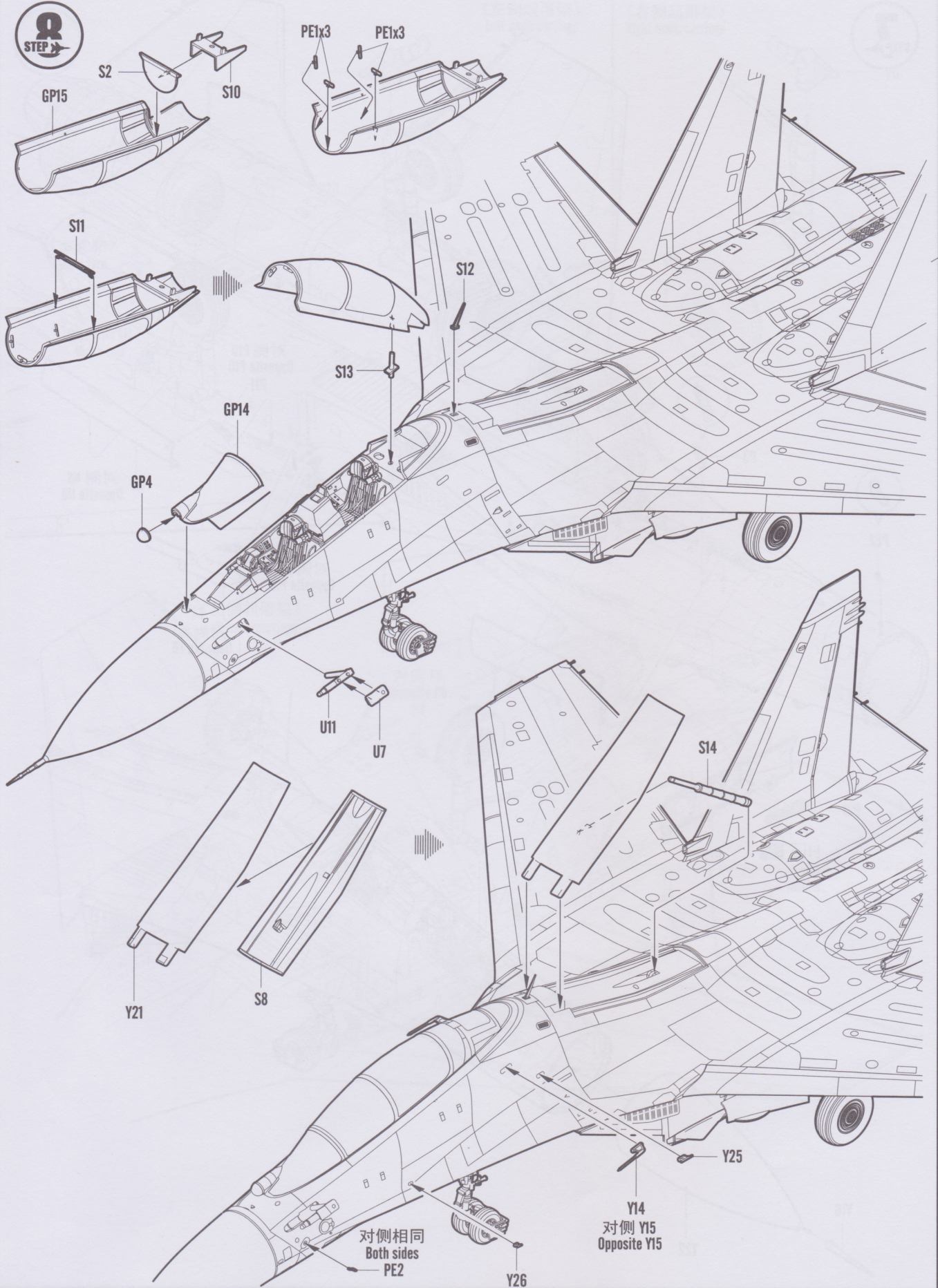
《左侧起落架》  
Left undercarriage

对侧 P5  
Opposite P5  
P4

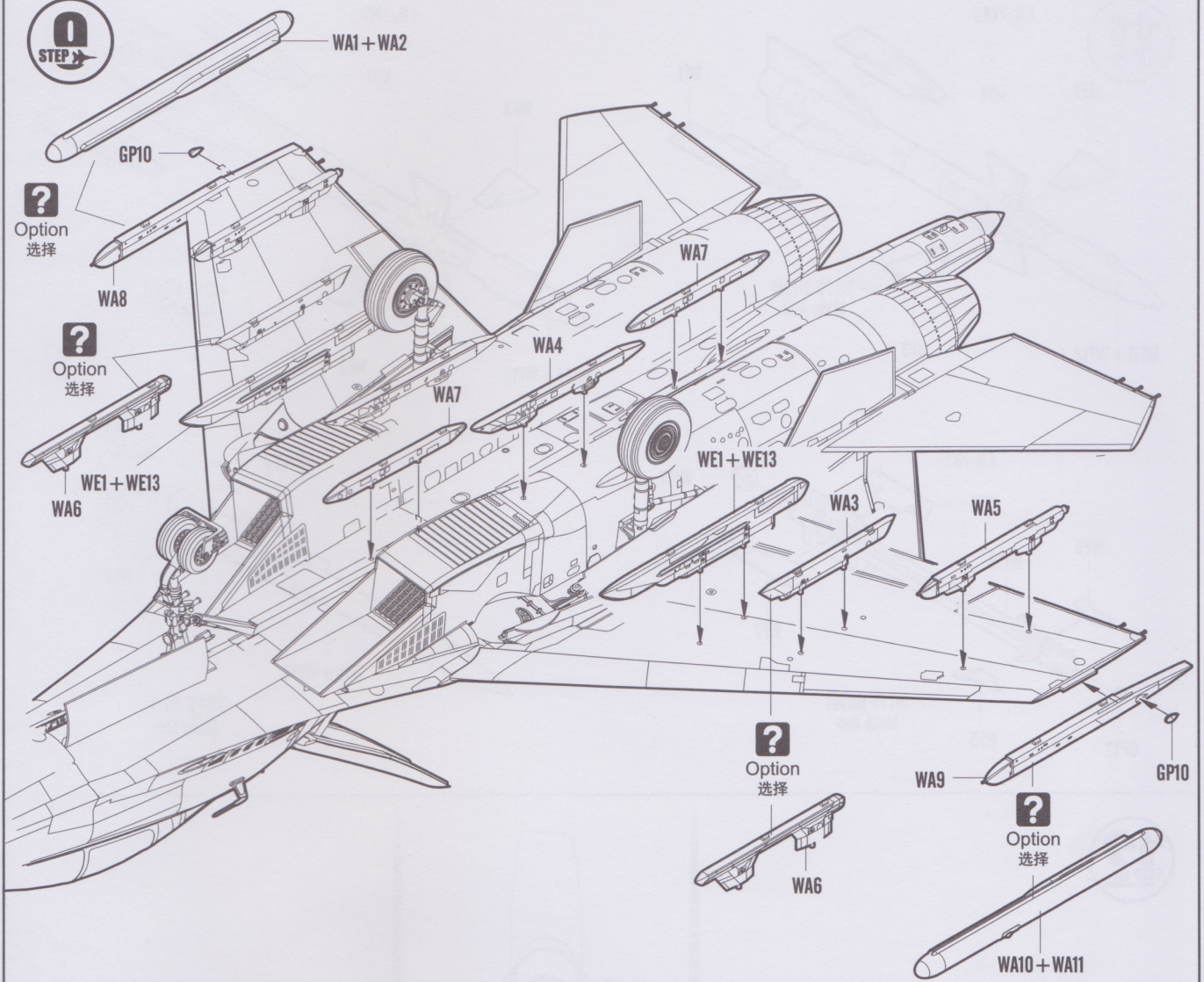




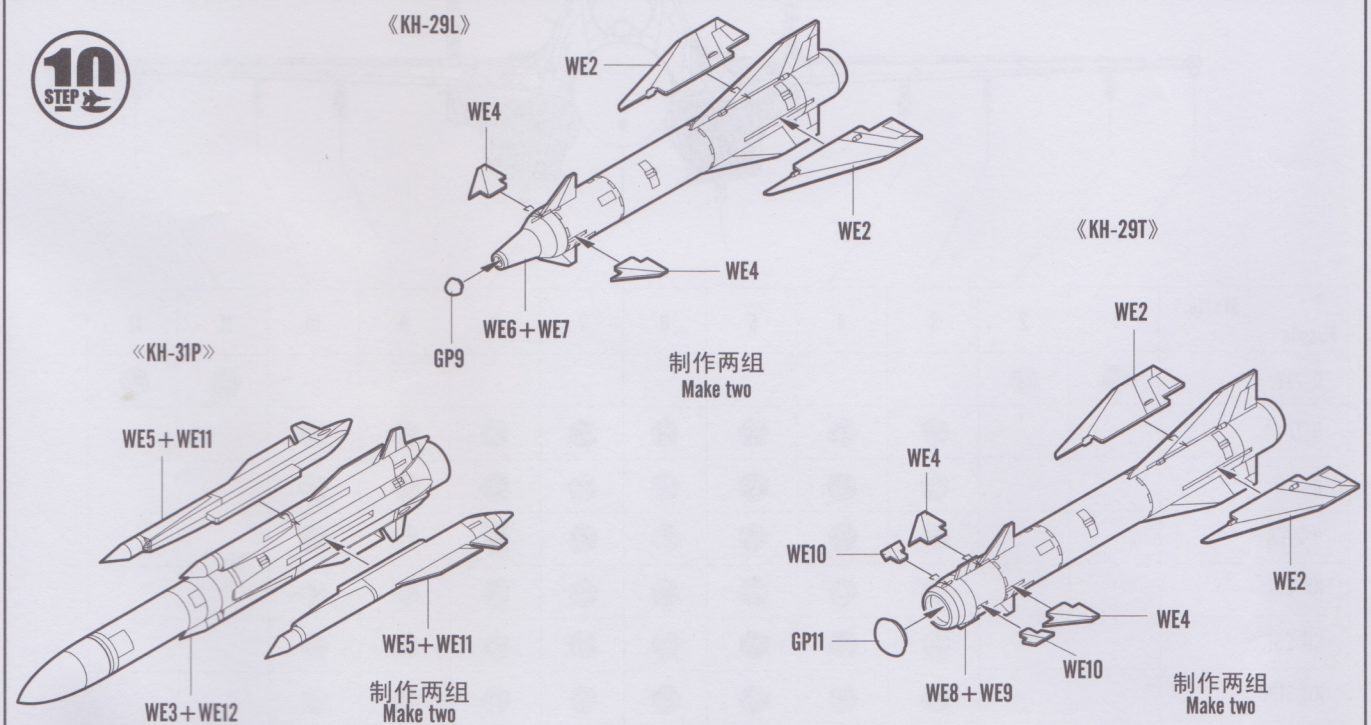




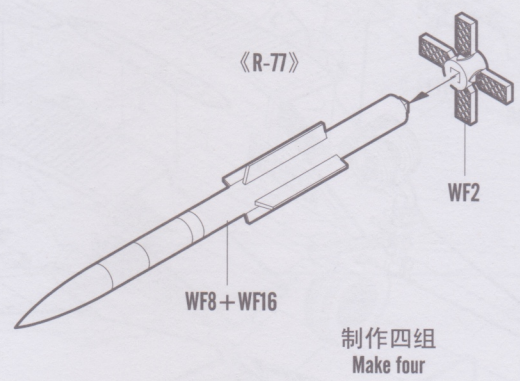
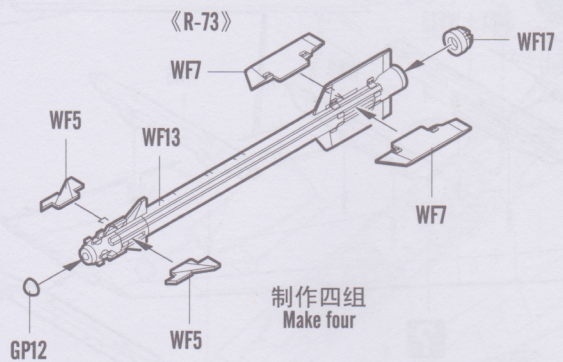
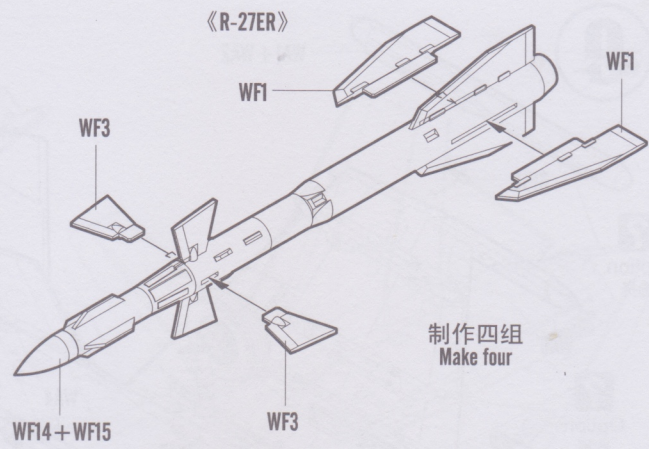
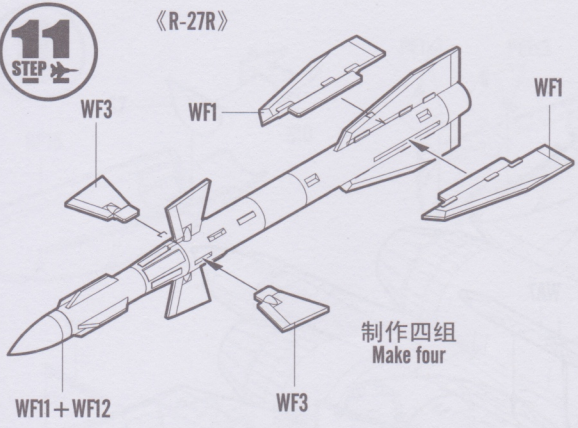
**9**  
STEP



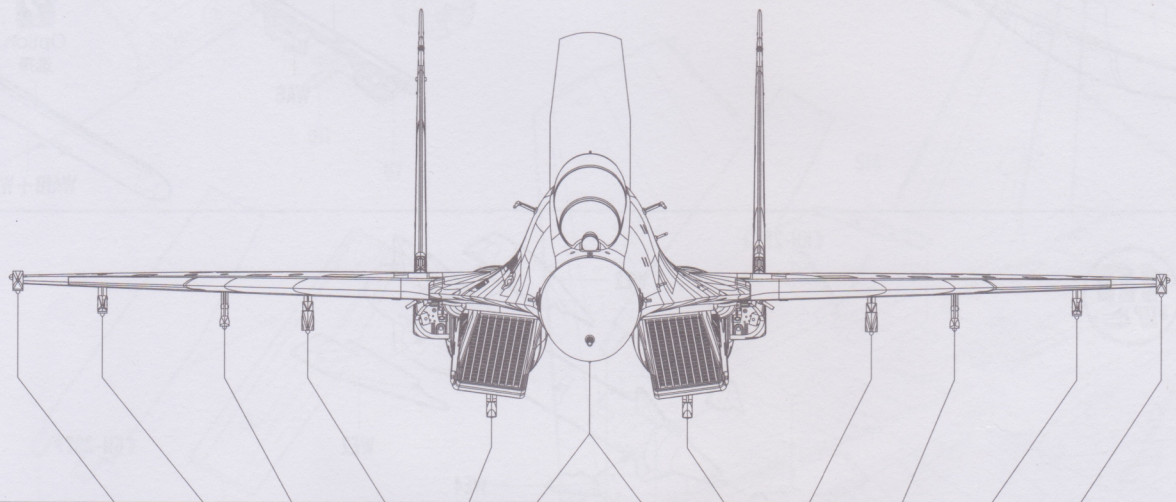
**10**  
STEP



**11**  
STEP

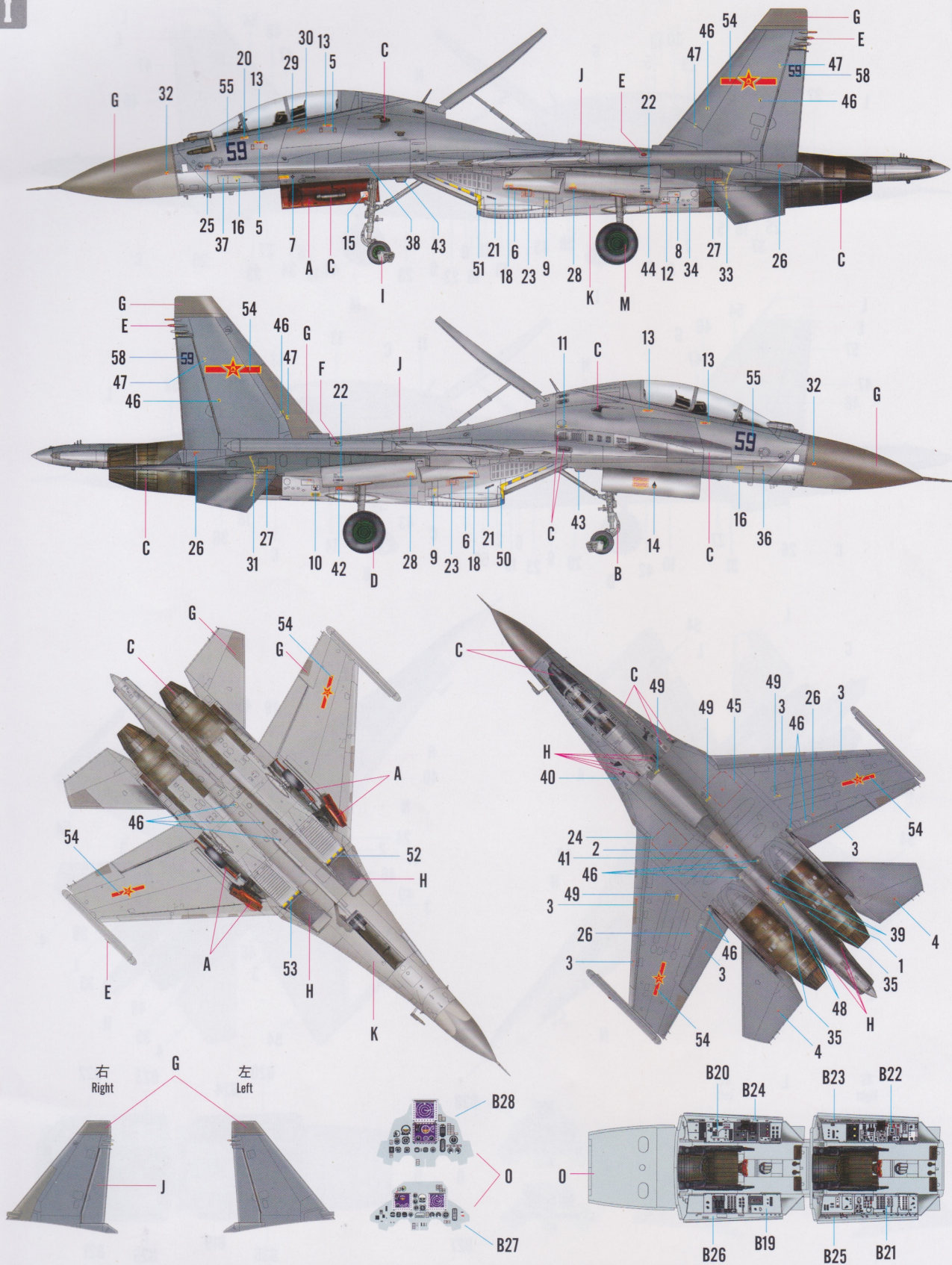


**12**  
STEP



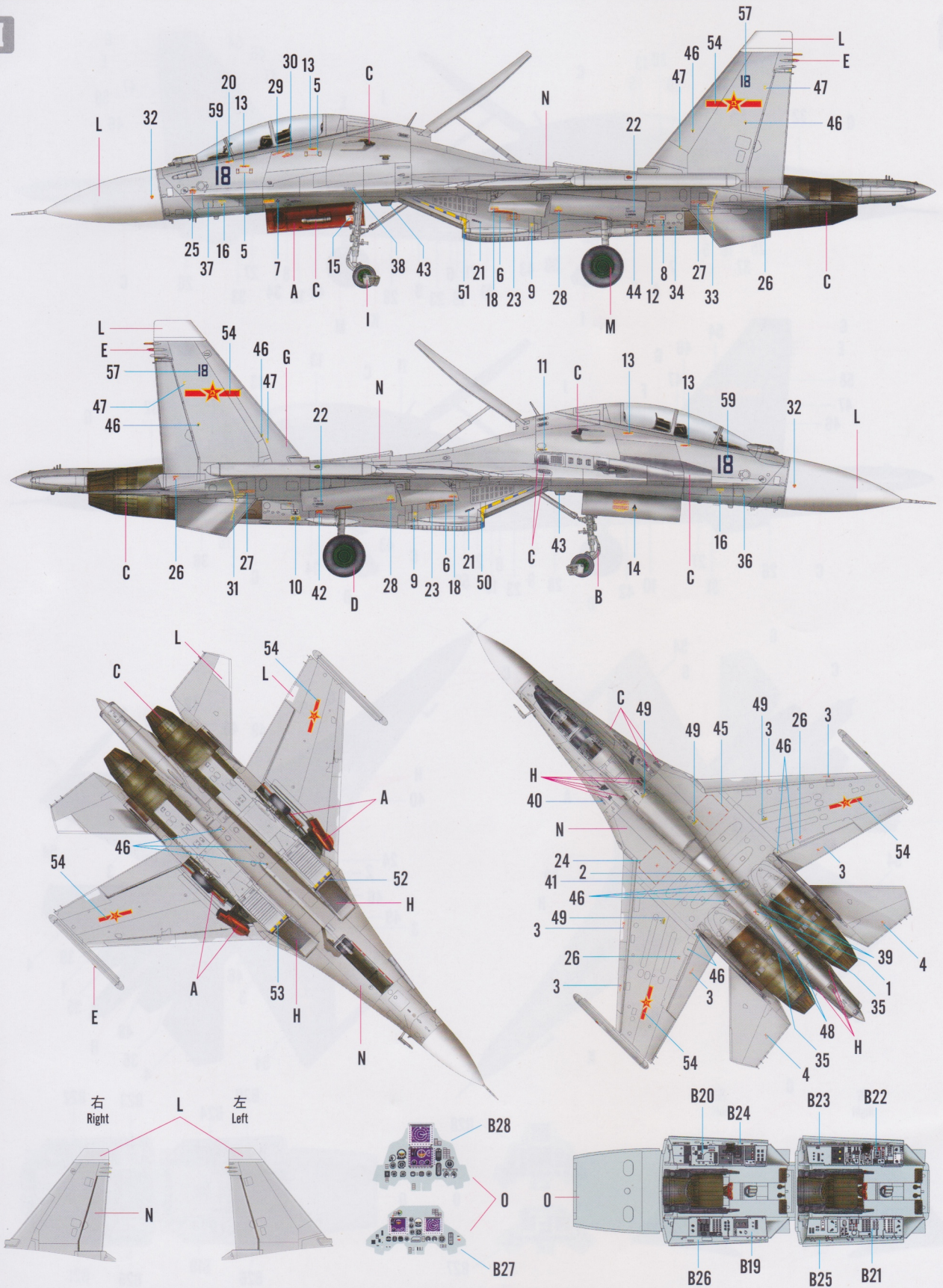
Missile	Sta.No.	1	2	3	4	5	6	7	8	9	10	11	12
R-73E		●	●									●	●
R-77				●	●	●	●	●	●	●	●		
R-27R				●	●	●	●	●	●	●	●		
R-27ER				●	●	●	●	●	●	●	●		
KH-29L				●	●	●	●	●	●	●	●		
KH-29T				●	●	●	●	●	●	●	●		
KH-31P				●	●	●	●	●	●	●	●		

I



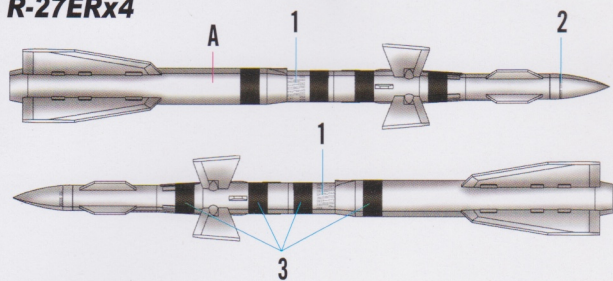
Color	Mr.Hobby	Vallejo	Model Master	Tamiya	Humbrol	Color	Mr.Hobby	Vallejo	Model Master	Tamiya	Humbrol
<b>A</b> 红色 Red	H 3 3	908	1503	X7	19	<b>E</b> 透明红 Clear Red	H 90 47	934	--	X27	--
<b>B</b> 银色 Silver	H 8 8	997	1546	X11	11	<b>F</b> 透明绿 Clear Green	H 94 138	936	--	X25	--
<b>C</b> 烧铁色 Burnt Iron	H 76 61	863	1795	X10	53	<b>G</b> 深灰色 Medium Gunship Grey	H 305 305	868	1723	XF58	125
<b>D</b> 胎黑色 Tire black	H 77 137	--	--	--	--	<b>H</b> 黑铁色 Metal Brown	H 18 28	864	1402	--	--

II

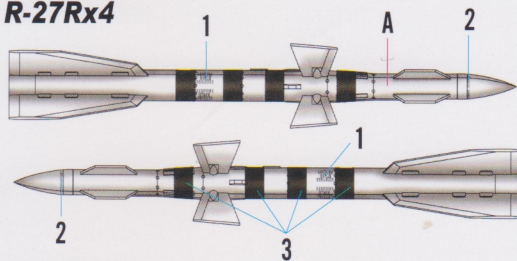


Color	Mr.Hobby	Vallejo	Model Master	Tamiya	Humbrol	Color	Mr.Hobby	Vallejo	Model Master	Tamiya	Humbrol
I 灰白色 Aircraft Gray	H <b>57 73</b>	--	--	--	--	M 薄松叶色 Light Green	H <b>319 319</b>	--	1713	--	117
J 浅灰蓝 Grayish Blue	H <b>337 337</b>	--	1721	XF20	145	N 灰色 Light Gray	H <b>338 338</b>	907	1732	XF14	147
K 浅机体色 Light Aircraft Gray	H <b>332 332</b>	--	--	--	166	O 浅兰色 Light Blue	H <b>117</b>	907	1731	--	146
L 白色 White Insignia	H <b>316 316</b>	991	1745	X2	22						

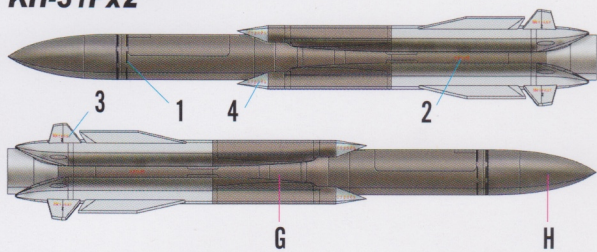
### III R-27ERx4



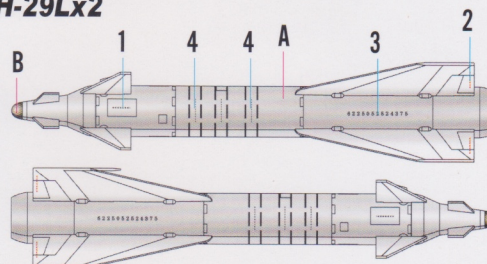
### R-27Rx4



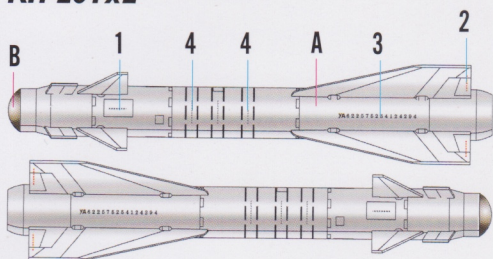
### KH-31Px2



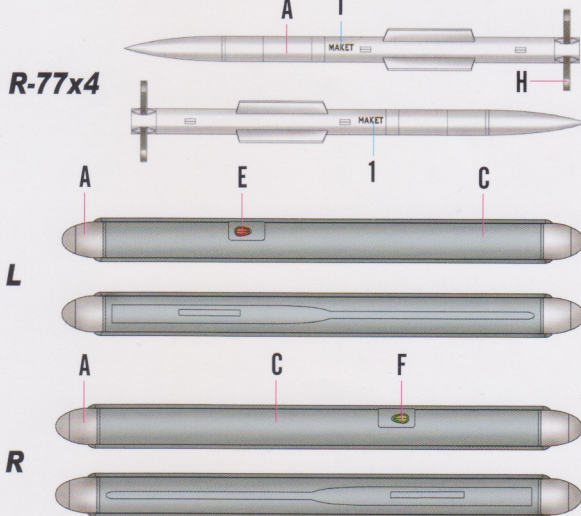
### KH-29Lx2



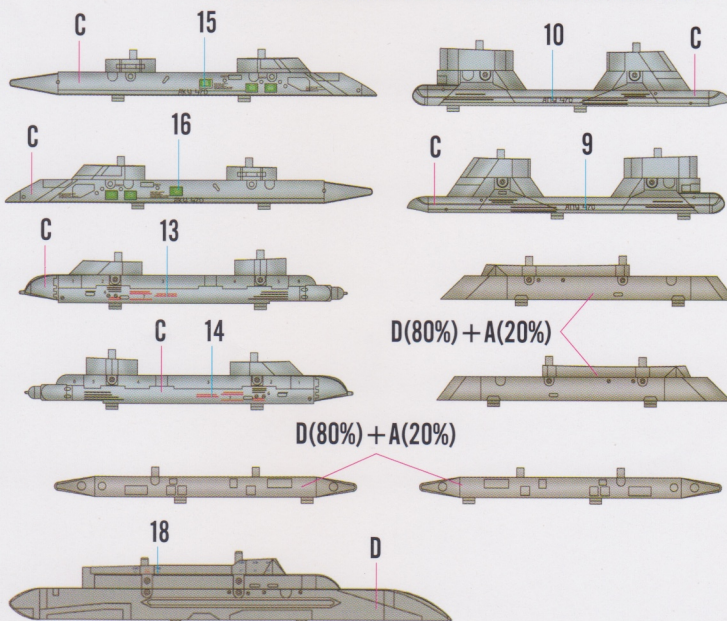
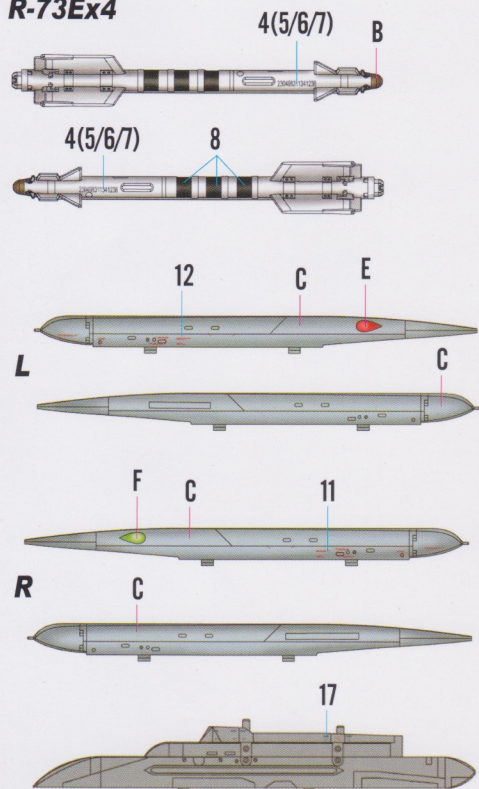
### KH-29Tx2



### R-77x4



### R-73Ex4



Color	Mr.Hobby	Vallejo	Model Master	Tamiya	Humbrol	Color	Mr.Hobby	Vallejo	Model Master	Tamiya	Humbrol
<b>A</b> 白色 White	H 1 1	842	1745	X2	22	<b>E</b> 透明红 Clear Red	H 90 47	934	--	X27	--
<b>B</b> 烟灰色 Smoke Gray	H 96 101	--	--	--	--	<b>F</b> 透明绿 Clear Green	H 94 138	936	--	X25	--
<b>C</b> 浅灰蓝 Pearl Gray	H 74	--	--	--	--	<b>G</b> 深灰色 Medium Gunship Grey	H 305 305	868	1723	XF58	125
<b>D</b> 灰色 Gray	H 308 308	990	1728	XF19	127	<b>H</b> 烧铁色 Burnt Iron	H 76 61	863	1795	X10	53