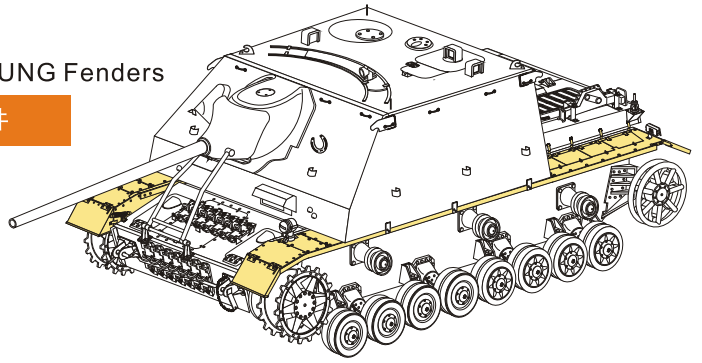


1/35 MILITARY MINIATURE VEHICLE UPGRADE SERIES PE351245

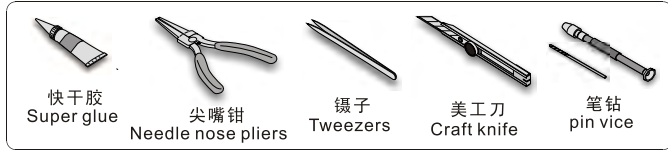
WWII German Jagdpanzer IV/70(A) ZWISCHEN LOSUNG Fenders

二战德军IV号坦克歼击车70(A)临时方案 翼子板改造件

[For DRAGON]



推荐使用工具 RECOMMENDED TOOLS



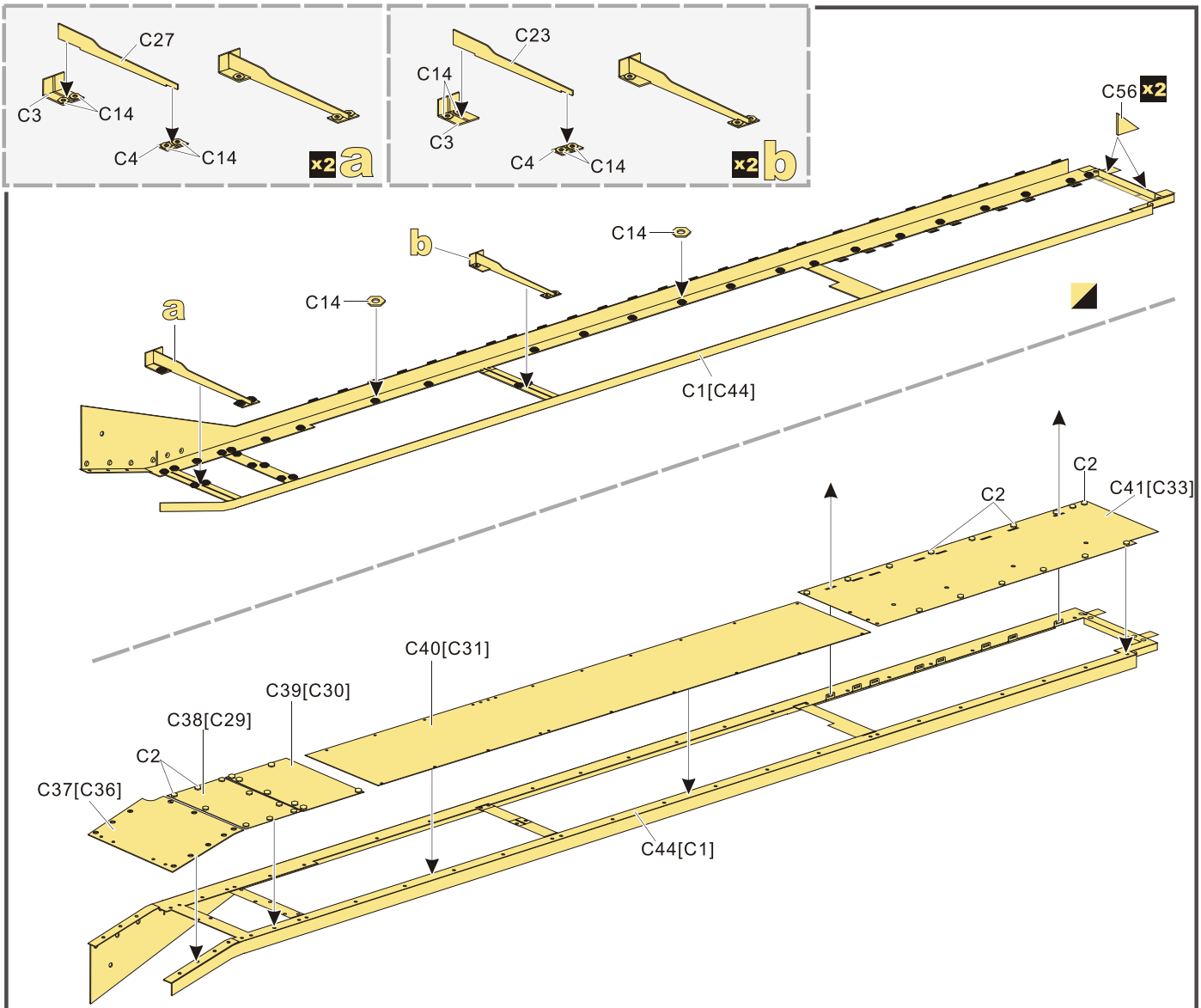
- 安装 install
- 折叠 bend
- A1** 改造件零件编号 PE/resin part number
- B12** 原零件编号 kit part number
- C22** 被替换的原零件编号 replaced kit part number
- 弧度卷曲 radial bending
- 选择安装 alternative
- 切除 remove
- 钻孔 drill
- 注意 caution
- x2** 制作若干组 multiple assembly
- 打磨 grind off
- 填补 fill
- 另一侧相同制作 repeat on opposite side

用尖端在凹槽处冲压 use penpoint to press on the dent

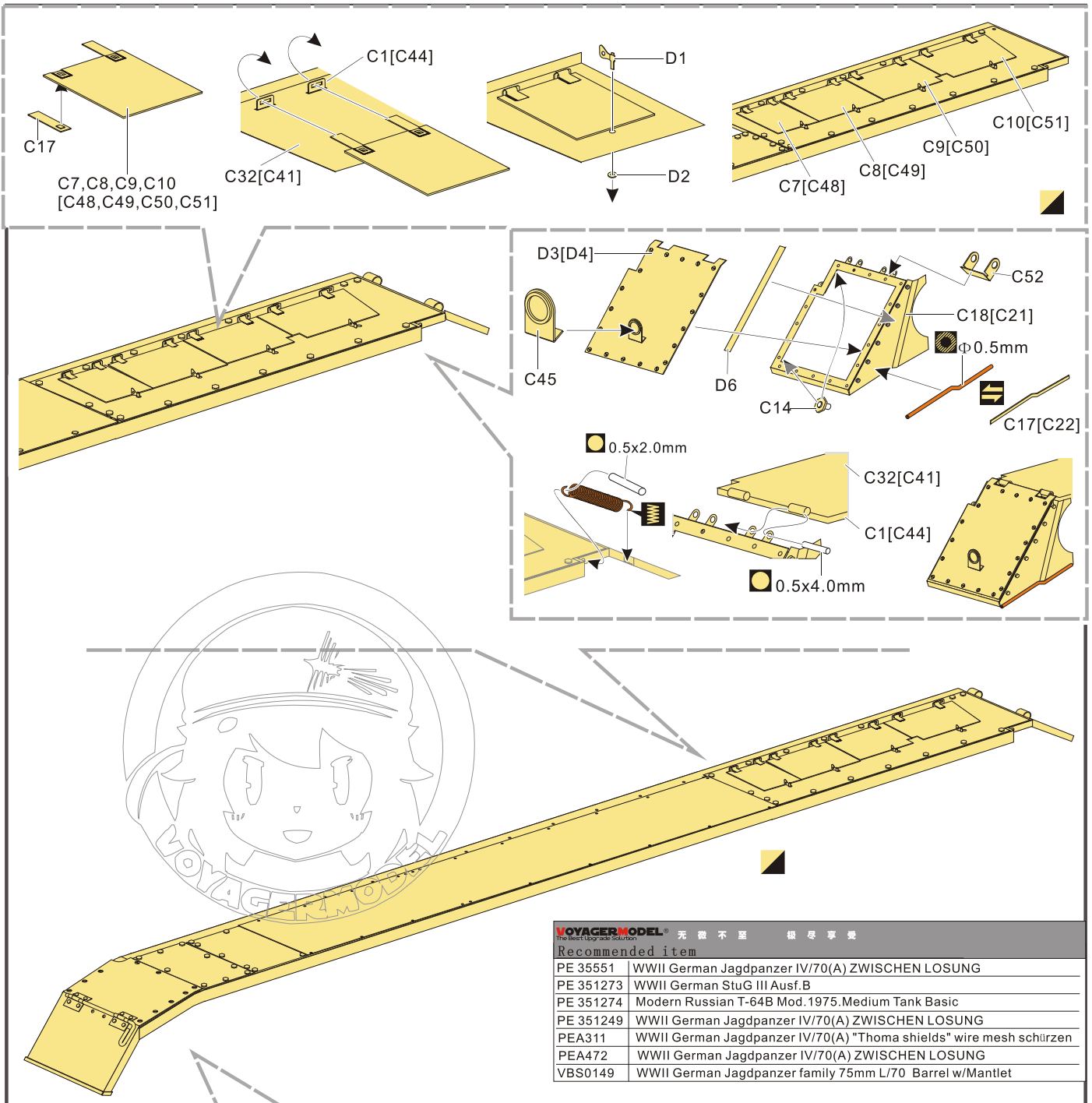
蚀刻片零件内侧面向上 Put the part upside down

用笔尖在凹槽处刺 Use penpoint to press on the dent

制作线圈 make coil



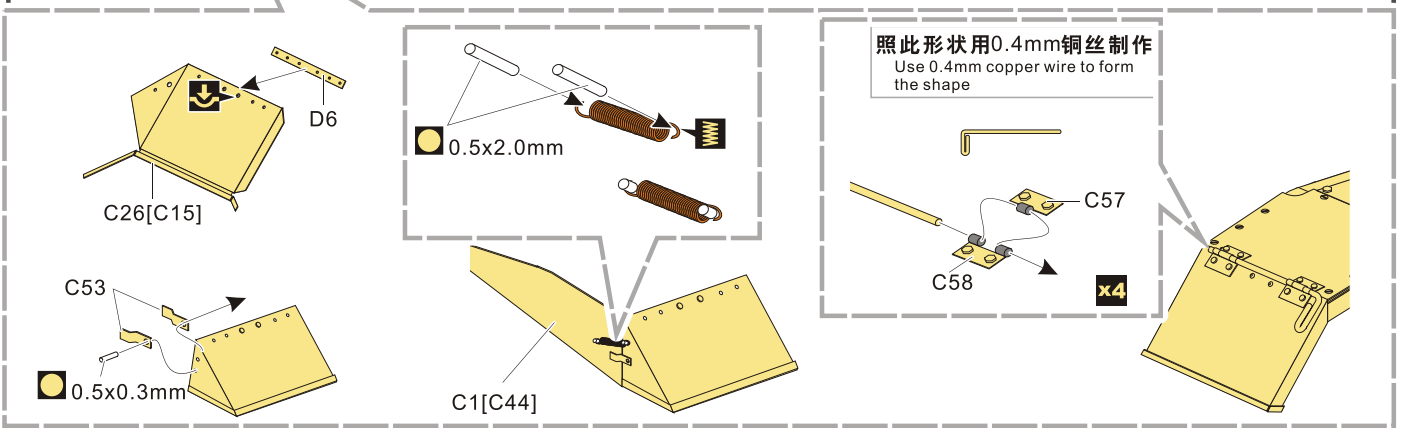
1/35 MILITARY MINIATURE VEHICLE UPGRADE SERIES PE351245



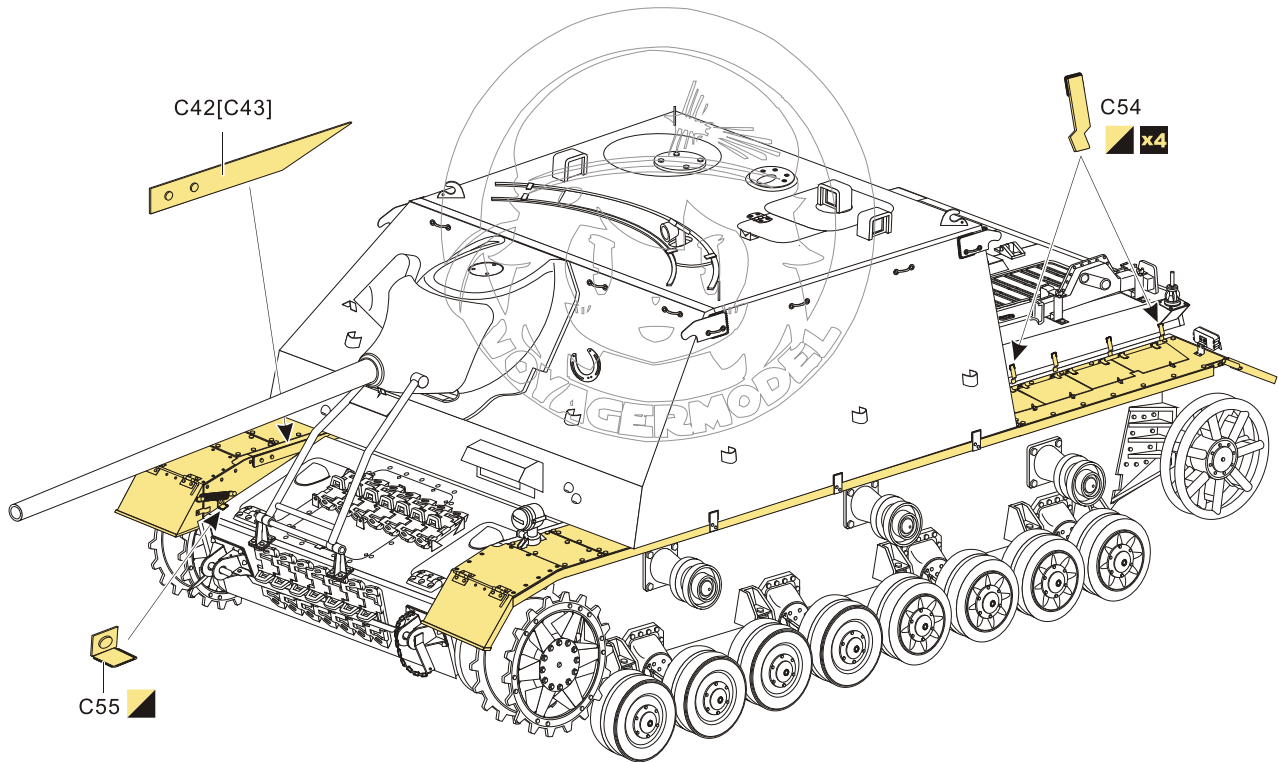
VOYAGERMODEL[®] 无微不至 极尽享受
The Best Upgrade Solution

Recommended item

PE 35551	WWII German Jagdpanzer IV/70(A) ZWISCHEN LOSUNG
PE 351273	WWII German StuG III Ausf.B
PE 351274	Modern Russian T-64B Mod.1975.Medium Tank Basic
PE 351249	WWII German Jagdpanzer IV/70(A) ZWISCHEN LOSUNG
PEA311	WWII German Jagdpanzer IV/70(A) "Thoma shields" wire mesh schürzen
PEA472	WWII German Jagdpanzer IV/70(A) ZWISCHEN LOSUNG
VBS0149	WWII German Jagdpanzer family 75mm L/70 Barrel w/Mantlet



1/35 MILITARY MINIATURE VEHICLE UPGRADE SERIES PE351245



[Http://www.voyagermodel.com/productdetails.asp?itemid=PE351245](http://www.voyagermodel.com/productdetails.asp?itemid=PE351245)



**VOYAGER
MODEL**



微博公众号
Weibo official or code



官方淘宝
The official taobao



微信公众号
Wechat official or code



更多PE351245样品照片参考请扫一扫
MORE PICTUER OF PE 351245
REFERENCE SCAN HERE

