

1/16 SCALE

ITEM NO.:00945



Pz.Kpfw.VI Ausf.E Sd.Kfz.181 Tiger I (Late Production)

德国虎1重型坦克-后期型

WSM

READ BEFORE ASSEMBLY:

- This kit is not recommended for inexperienced modelers or for children under 14 years of age
- Study and understand these instructions thoroughly before beginning assembly
- When needed, remove photo-etch parts carefully using a modeling knife or photo etch sprue cutter, being careful not to damage or lose small parts.
- Take extra care in handling photo etch parts in order to avoid injury
- Apply instant cement sparingly to photo etch parts where instructed

- Tools recommended(not included in kit):Plastic and instant cements,sprue cutters,long nose pliers,modeling knife, small files, tweezers, pin vise & scissors. Soft cloth and sandpaper will also assist in construction
- Glue and paint are not included in the kit. Use plastic cement and hobby paints only. Color guide for purchasing paint is included in the kit.
- Keep out of reach of children. They must not be allowed to ingest small parts or handle plastic bags in any way.

装配之前仔细阅读

- 小心用模型锉刀锉平所有零件表面的注射浇口。
- 小心用刀片切下蚀刻片零件，不要遗失小零件。
- 用强力快干胶水粘合蚀刻片零件和金属轴。过量的快干胶水使用可能导致可动零件会粘住，小心涂胶。
- 取蚀刻片时应特别注意安全，防止利边划伤手指。
- 某些零件表面需贴上水贴纸，请选择在装配的同时进行。
- 推荐模型工具(自备)：胶水，水口剪刀，长咀钳，刀片，锉刀，镊子钳，钻，剪刀，瞬间快干胶。
- 软布同砂纸同时也是所需工具。
- 请使用塑料胶水和油漆，模型内不含。
- 谨防小孩吸吮塑料零件，或者将塑料袋套在头上，制作时应将套材远离小孩接触。
- 本产品不适合14岁以下没有经验的模型爱好者。

*说明书中含有重要信息，应保留。 Please Keep instruction since it contains important information.

水贴纸的使用:

1. 从水贴上剪下印花;
2. 将印花放入温水中浸10秒，然后放在干净布上。
3. 拿着印花纸板将印花移到模型上;
4. 手指蘸水将印花移到适当的位置;
5. 用软布轻压印花直至水干，气泡消失。

DECAL APPLICATION:

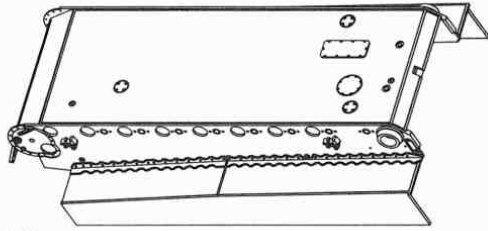
- 1.Cut decals from sheet as needed
2. Dip the decal in warm water for about 10 seconds and then place on soft clean cloth.
3. Hold the decal backing sheet edge and gently slide the decal onto the model in its proper position.

4. While still wet,decal can be adjusted for better fit on model by dampening it gently with your finger.
5. When placed in the proper position,gently press decal down with a soft cloth until excess water and air bubbles are gone.
6. Allow decal to dry completely before handling model

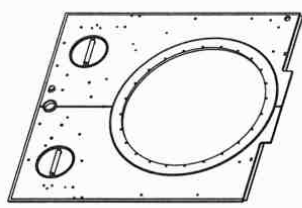


部品图
Parts

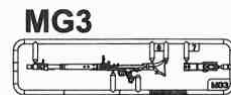
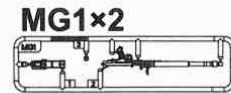
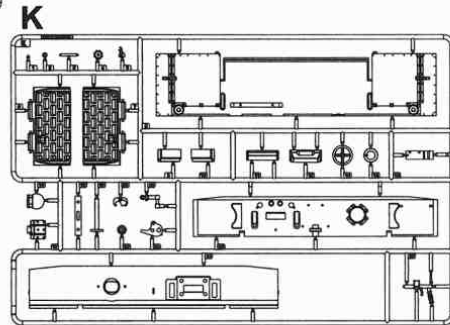
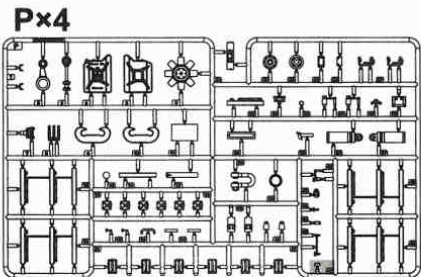
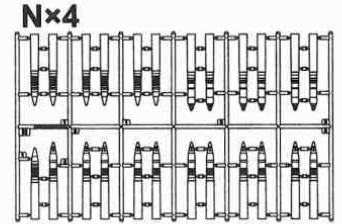
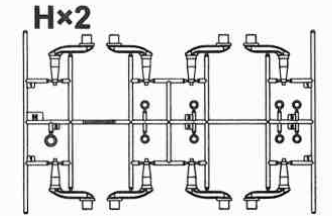
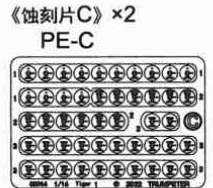
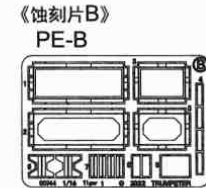
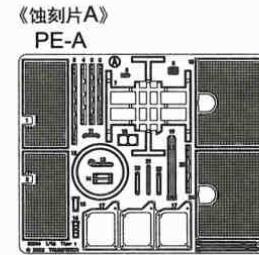
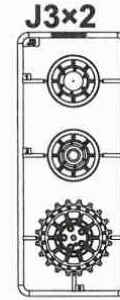
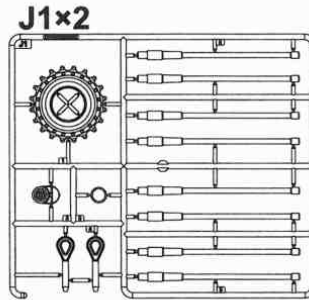
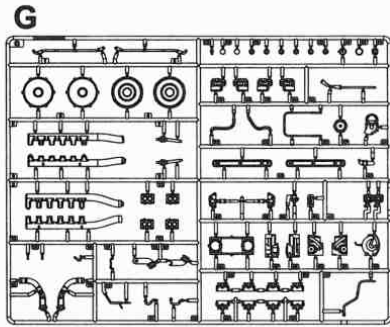
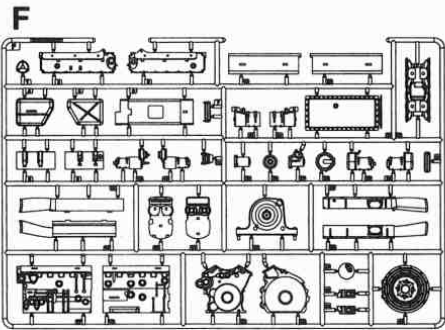
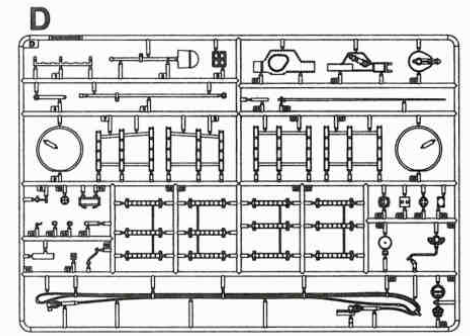
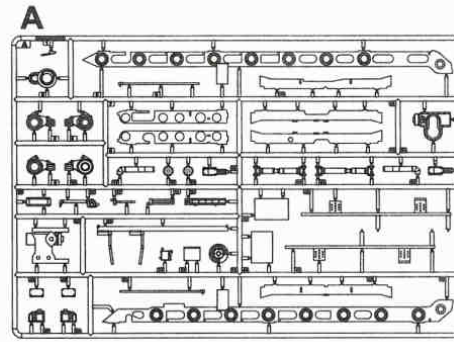
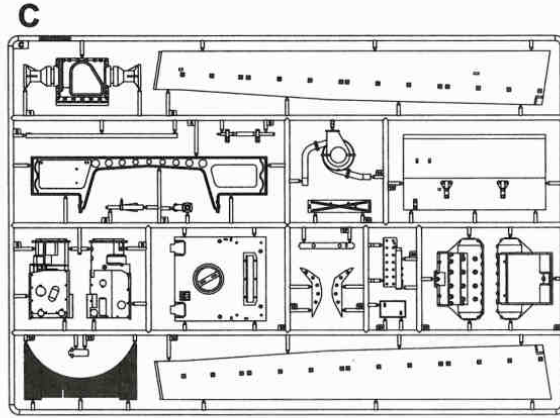
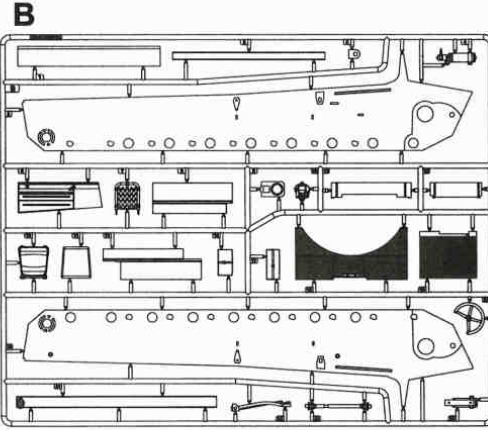
《车底》
Lower hull



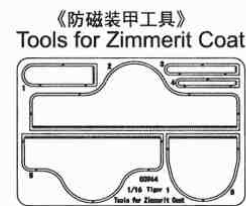
《车面》
Upper hull



《炮塔》
Turret

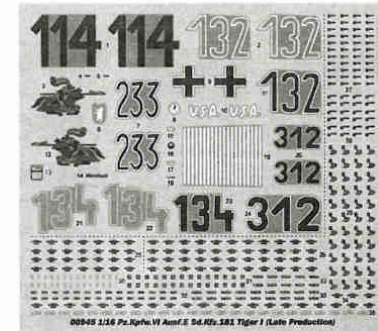


《铜线》 Ø1.5x920mm
Brass wire

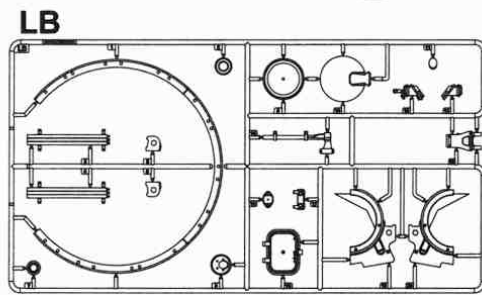
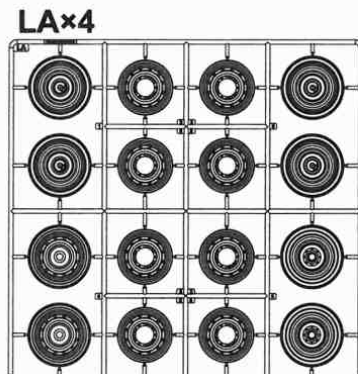
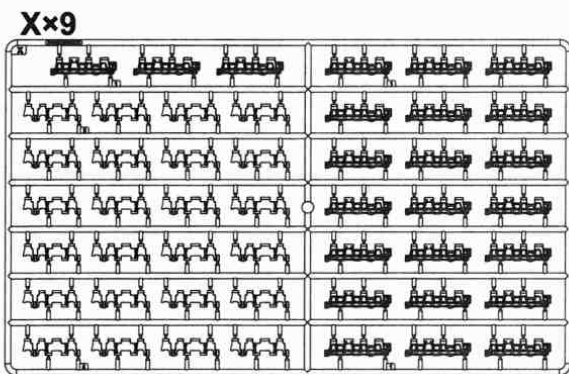
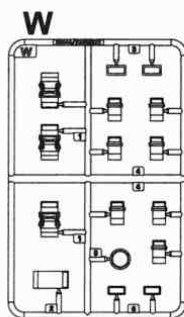
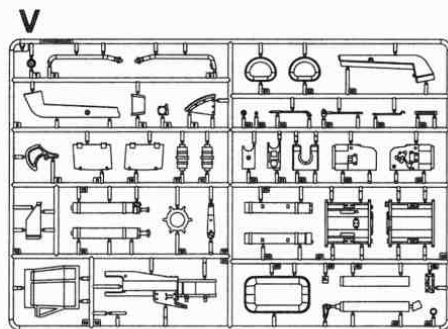
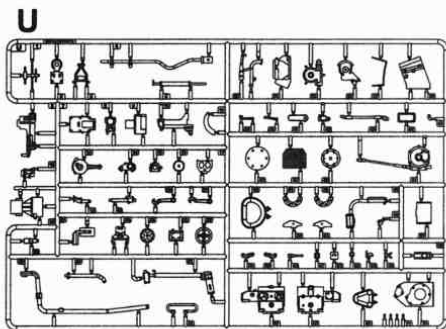
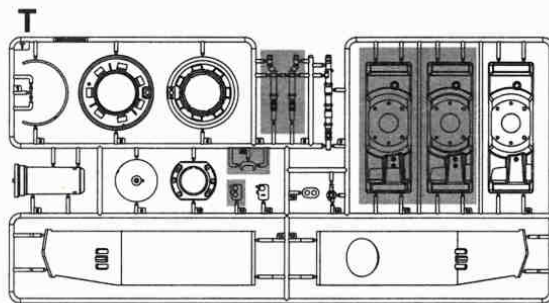
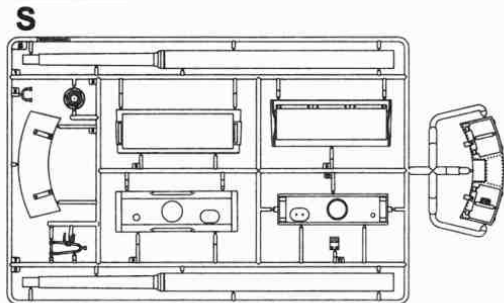
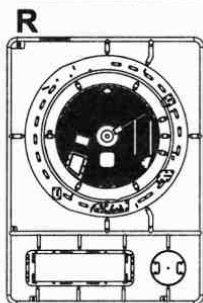
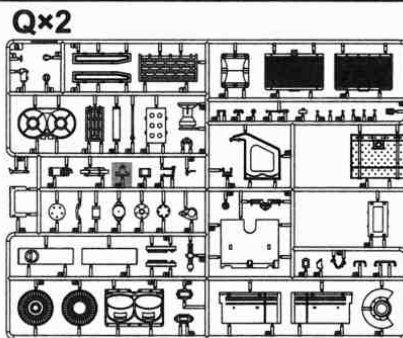
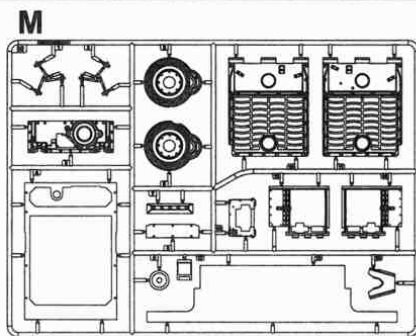
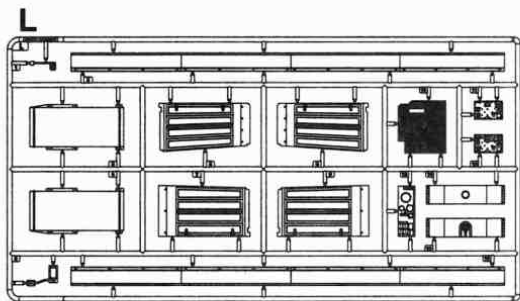


*阴影部分表示不用部品
*Shadow show no parts

《水贴》 Decal



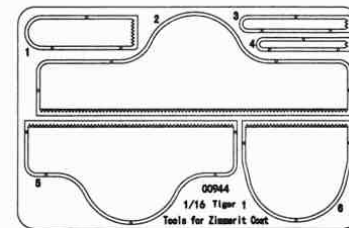
部品图 Parts



*阴影部分表示不用部品
*Shadow show no parts

②
选择
Option

防磁装甲工具
Tools for Zimmerit Coat

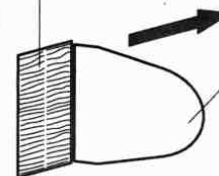


PE1号-PE6号为制作防磁装甲工具，取用时请用专用工具将其切下，推平切口处残留物。
The PE1-PE6 are Tools for Zimmerit Coat, use the special tool to cut off the blade and to flatten the cutting point.

②
选择
Option

补土
Putty

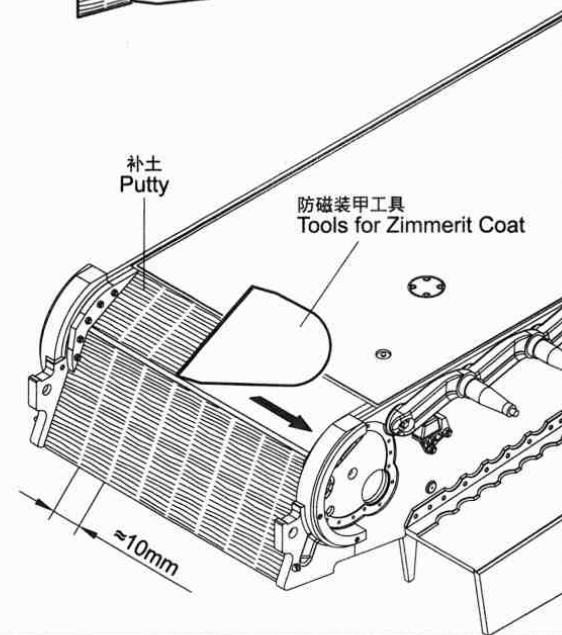
自备
Provide for oneself



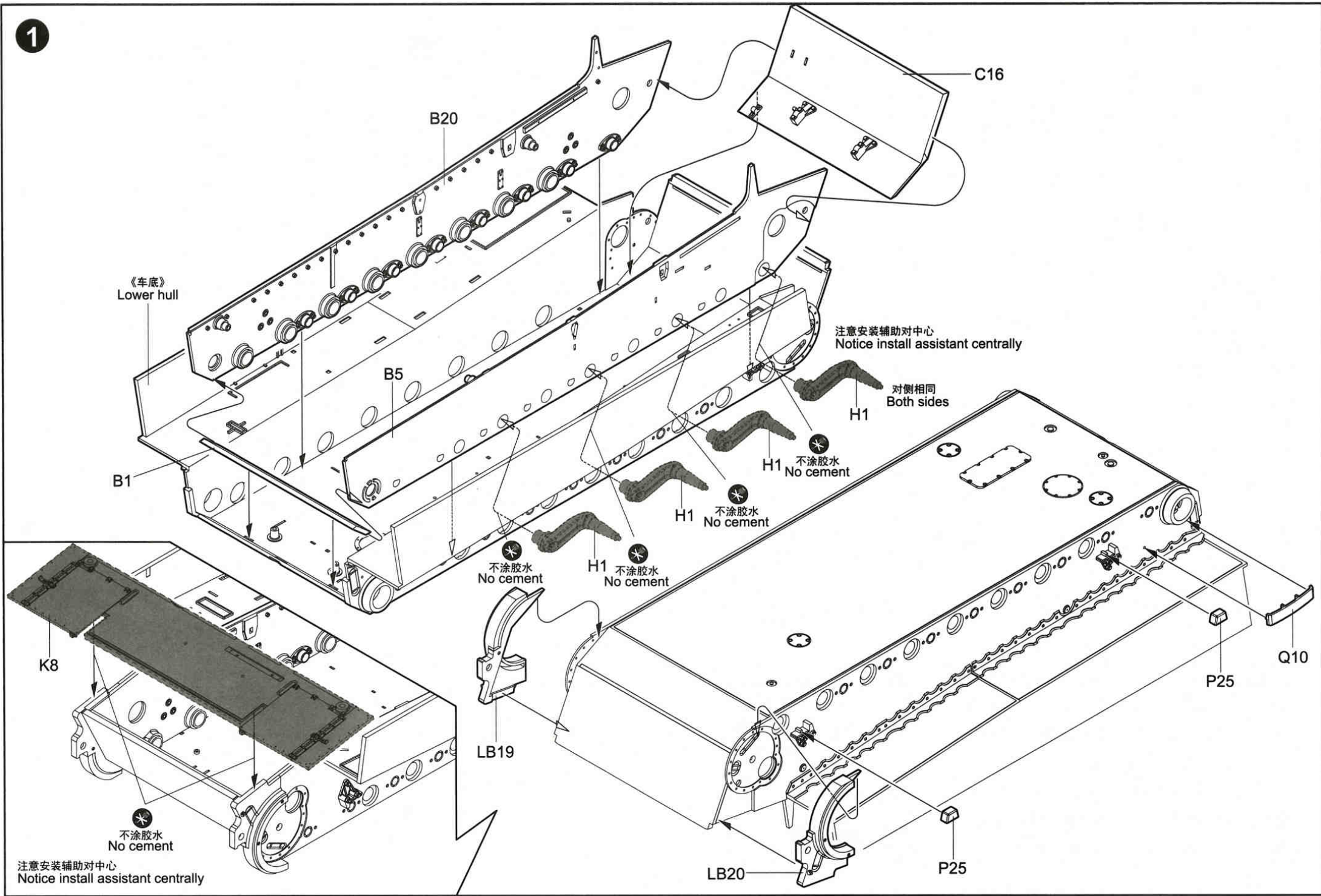
防磁装甲工具
Tools for Zimmerit Coat

补土
Putty

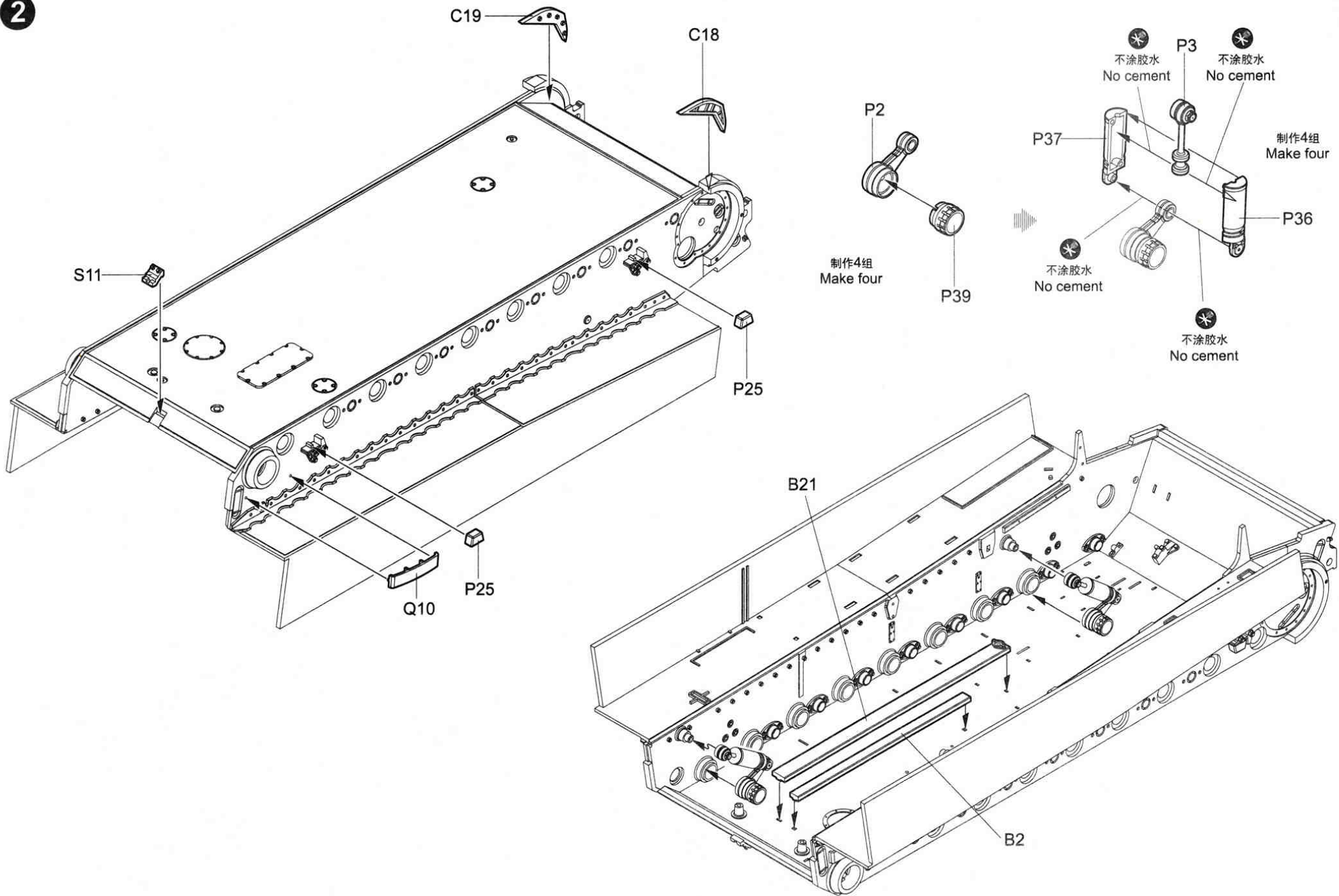
防磁装甲工具
Tools for Zimmerit Coat



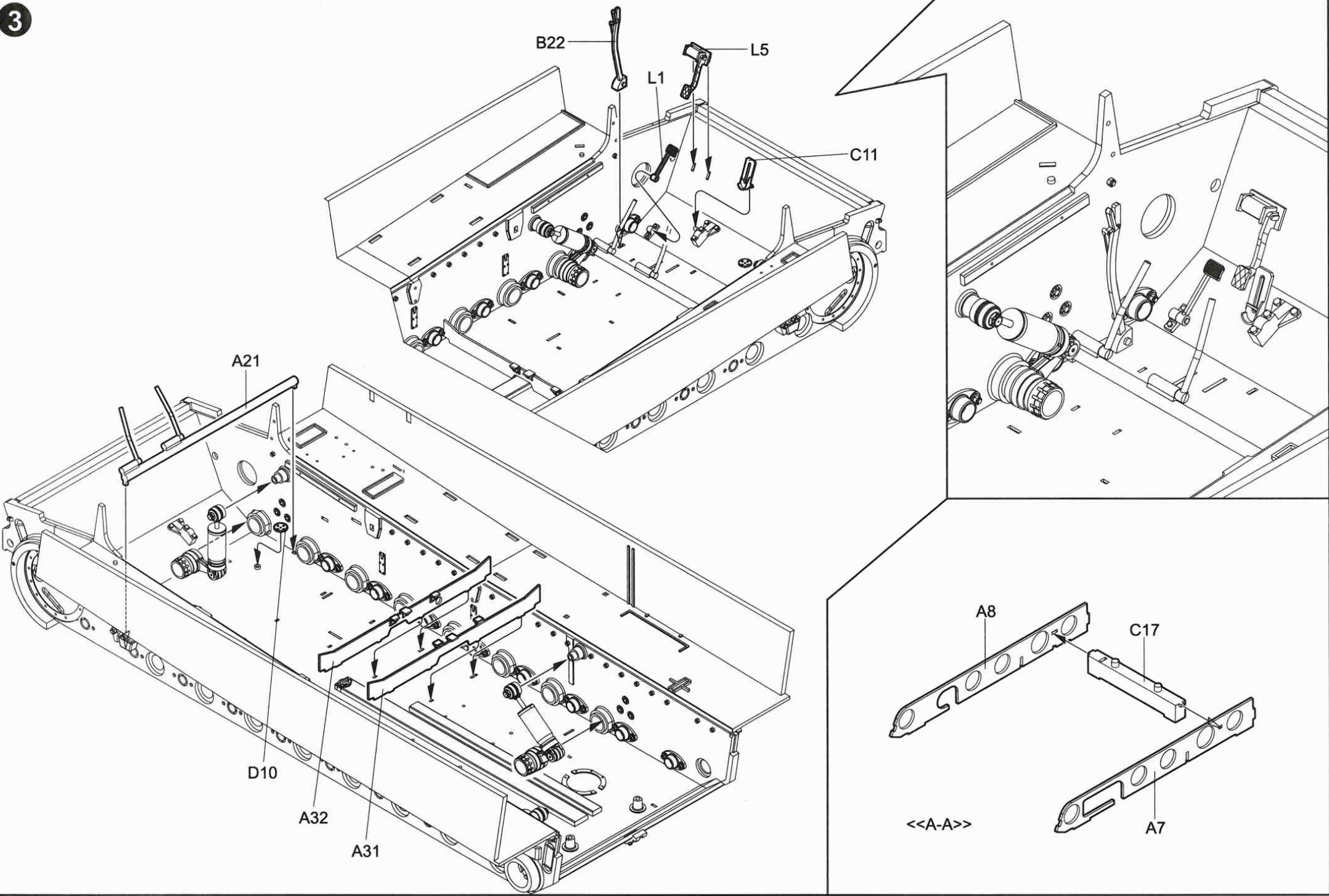
1



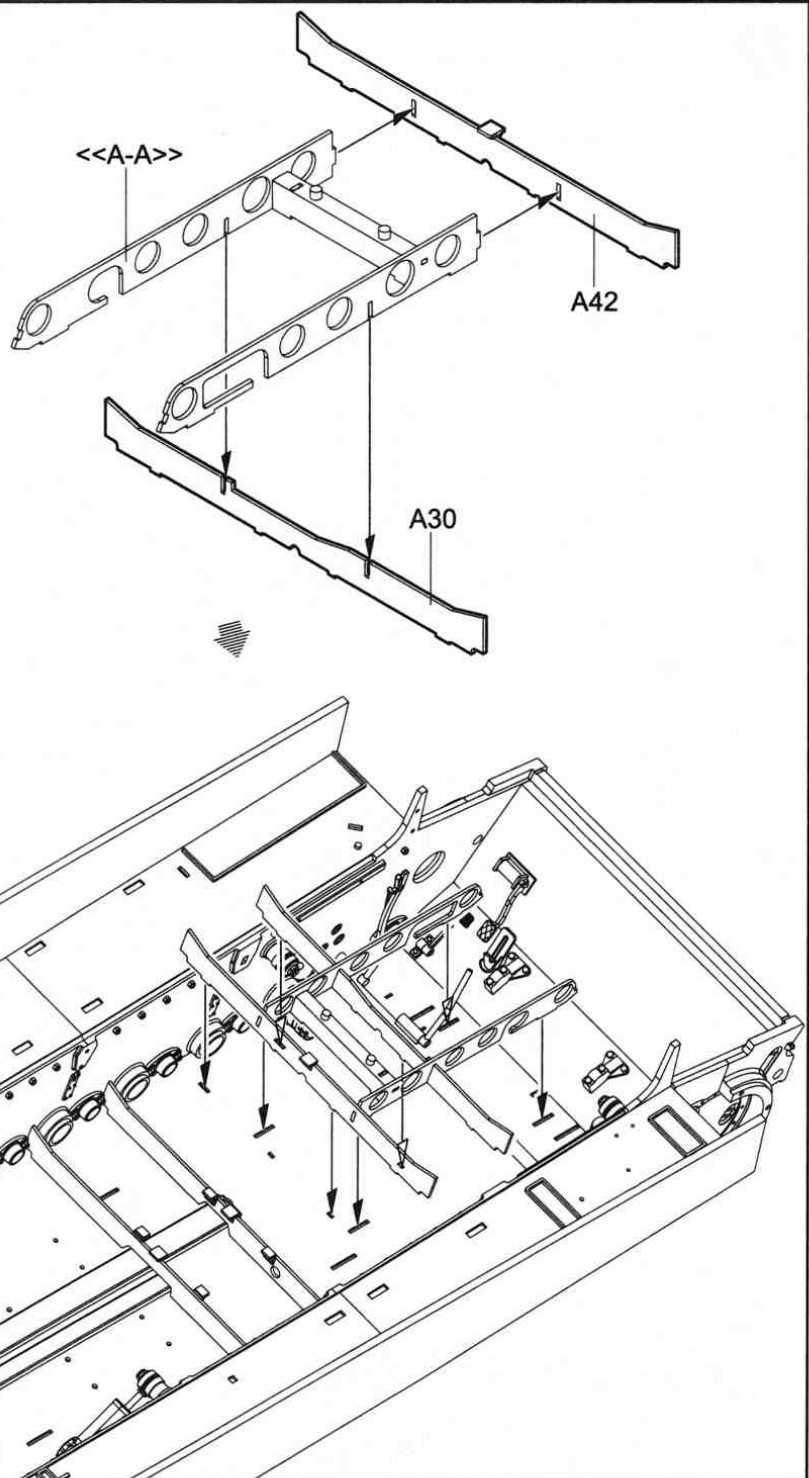
2



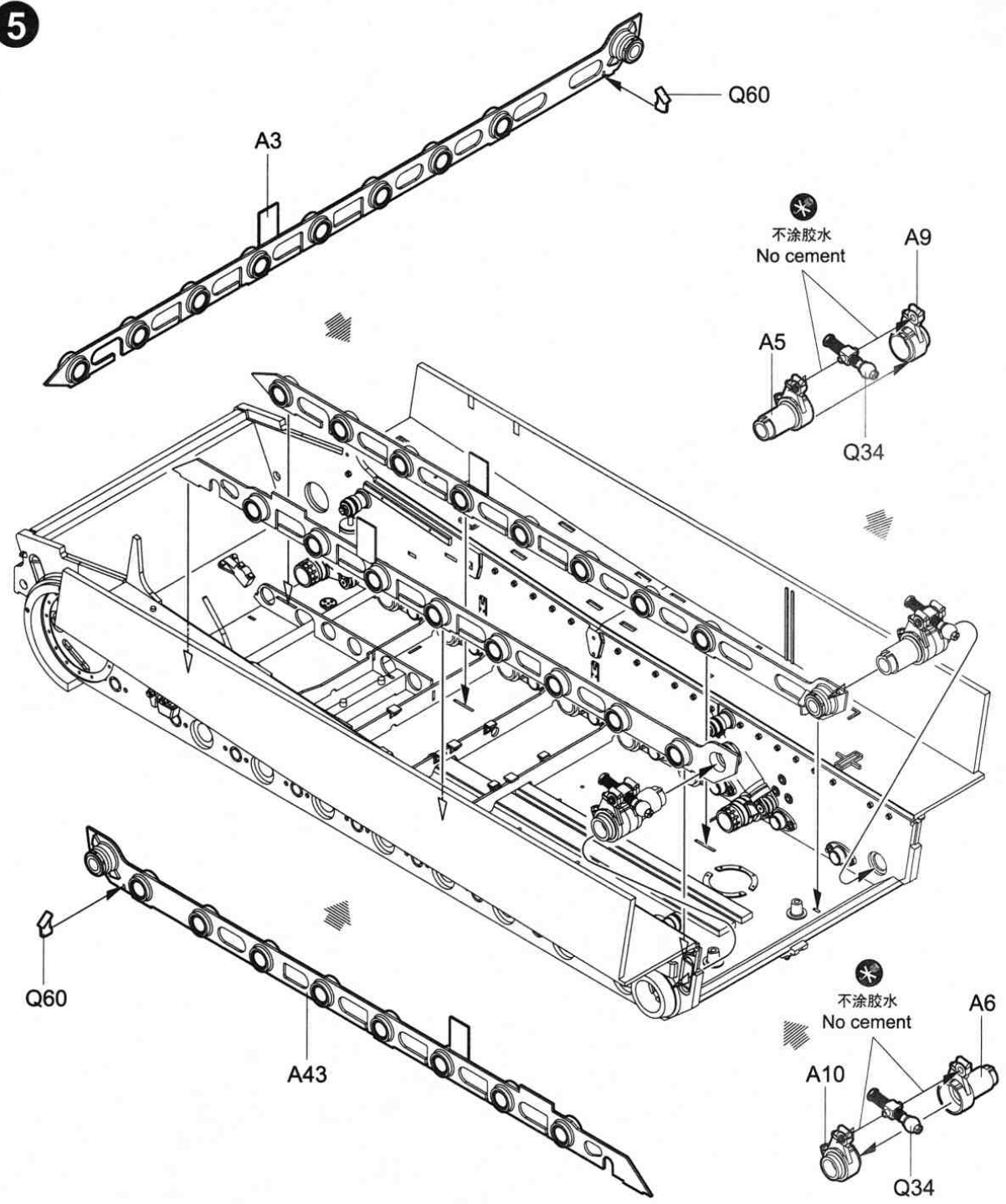
3



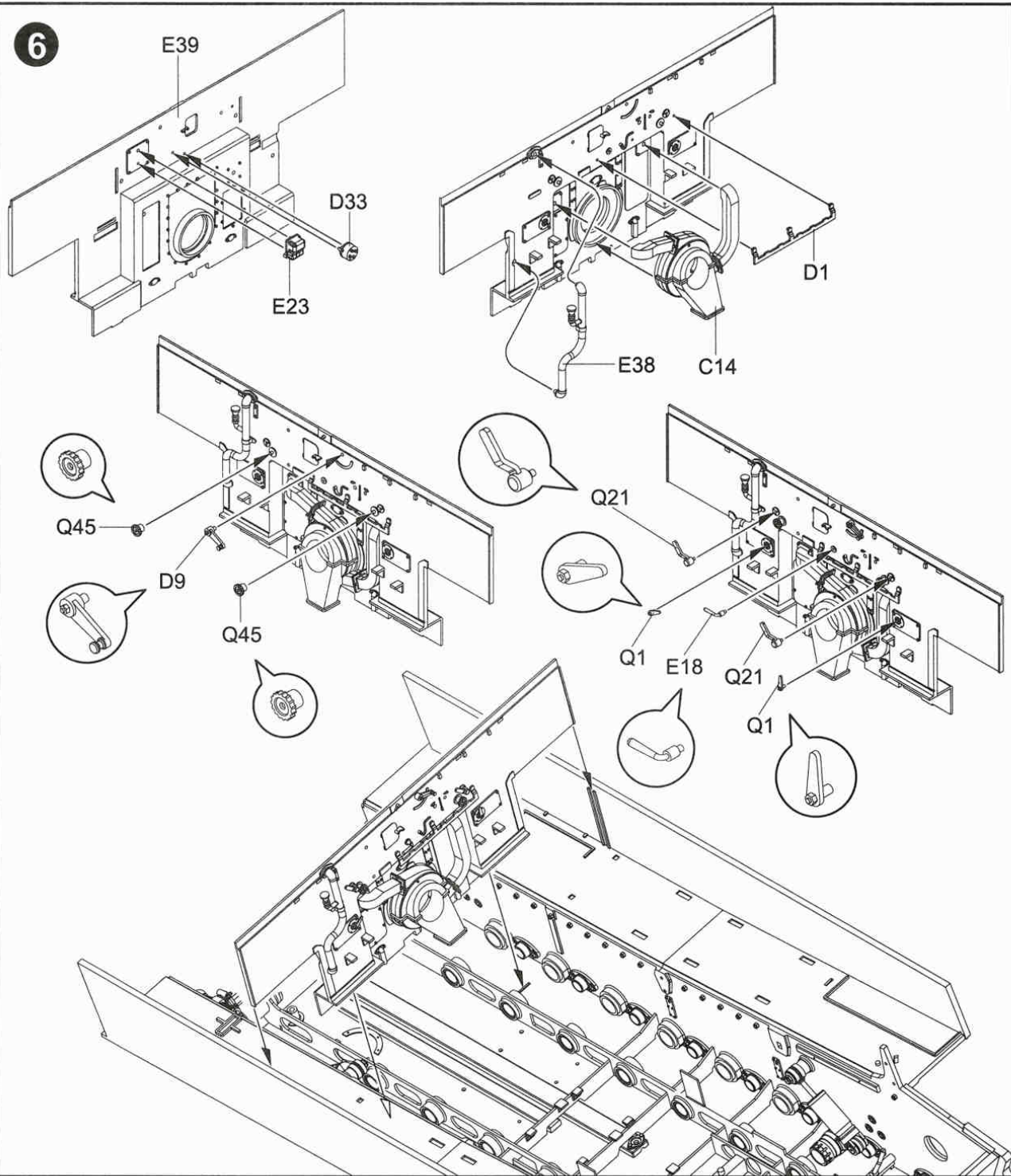
4



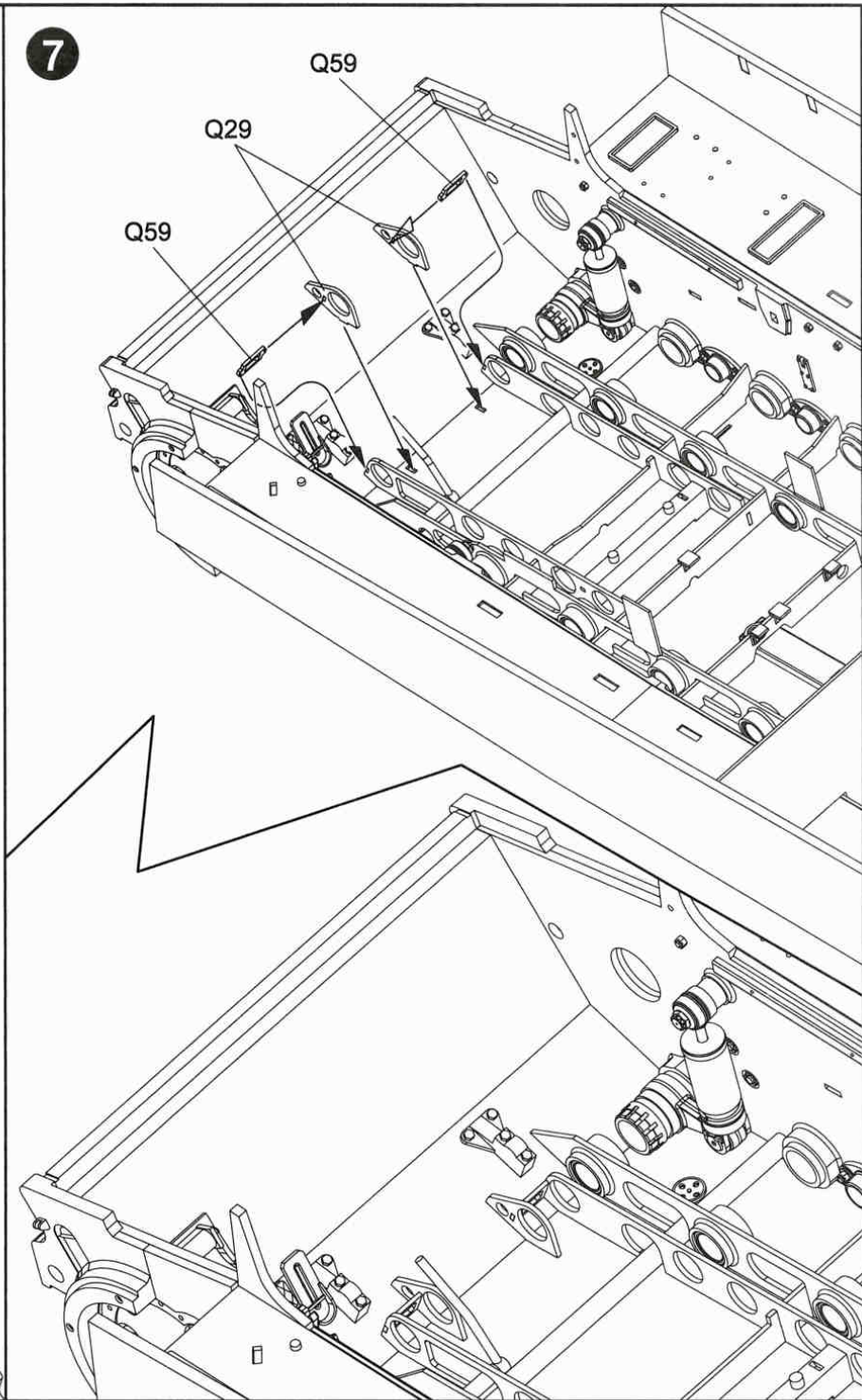
5



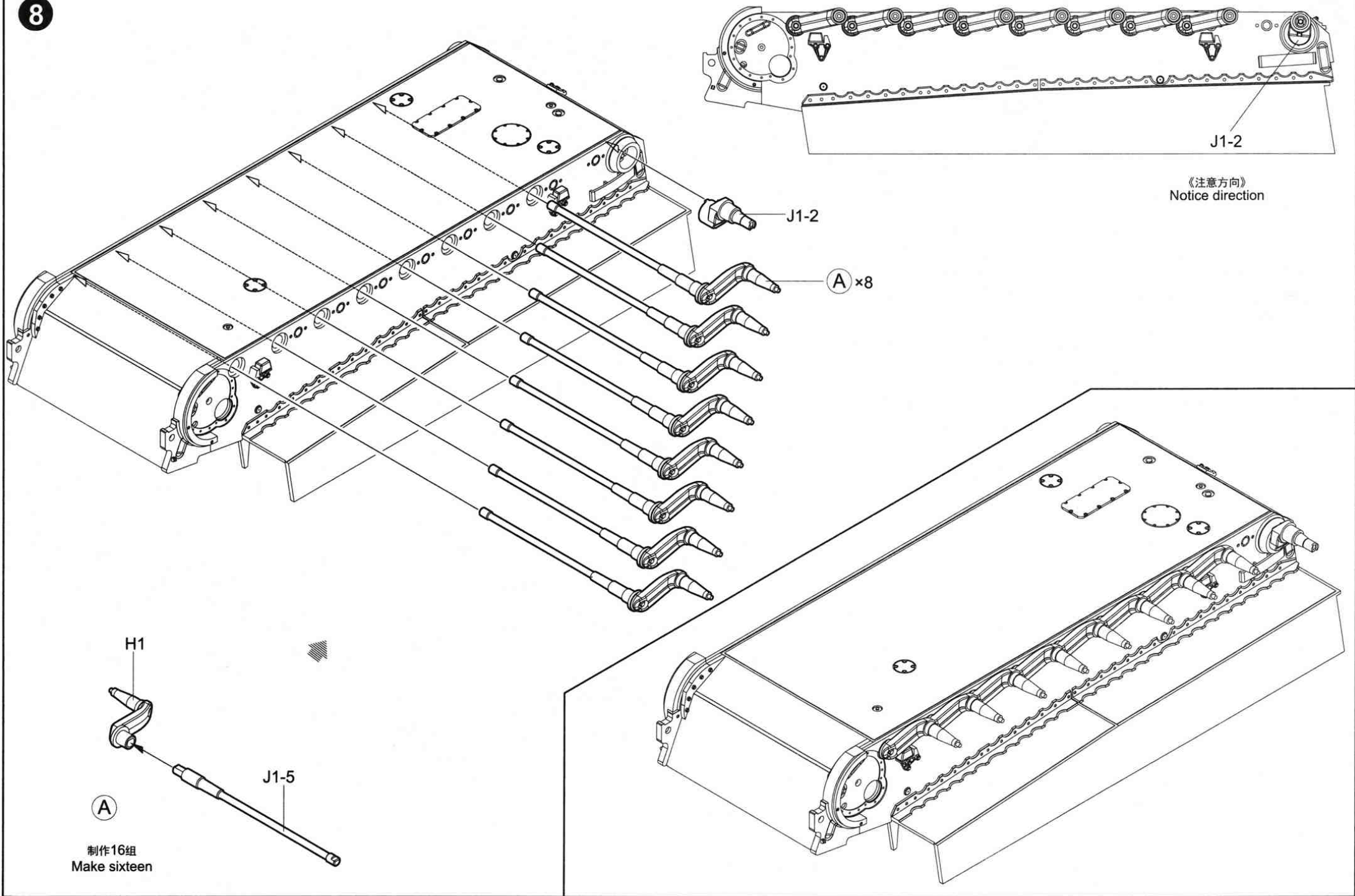
6



7



8



《注意方向》
Notice direction

J1-2

A x8

J1-2

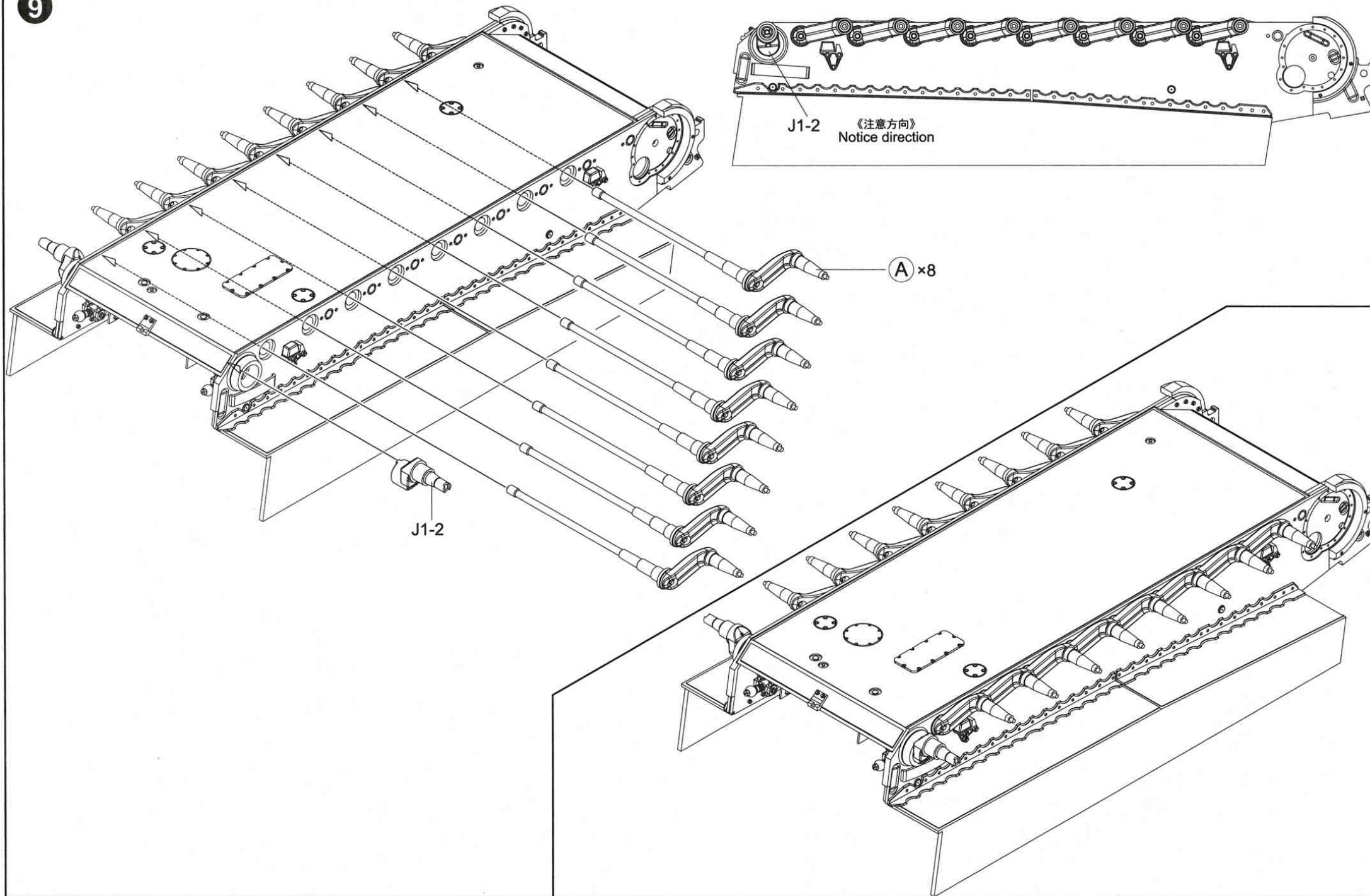
H1

J1-5

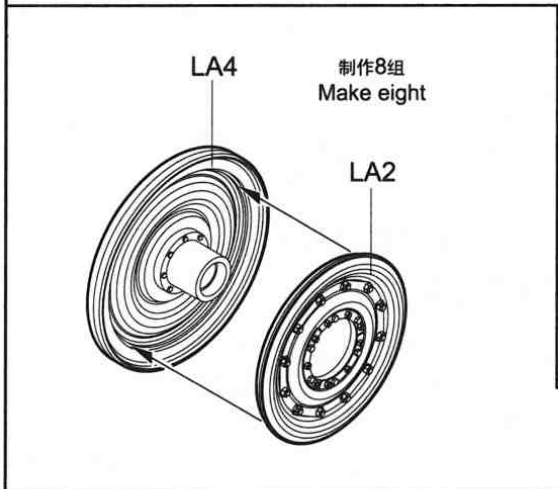
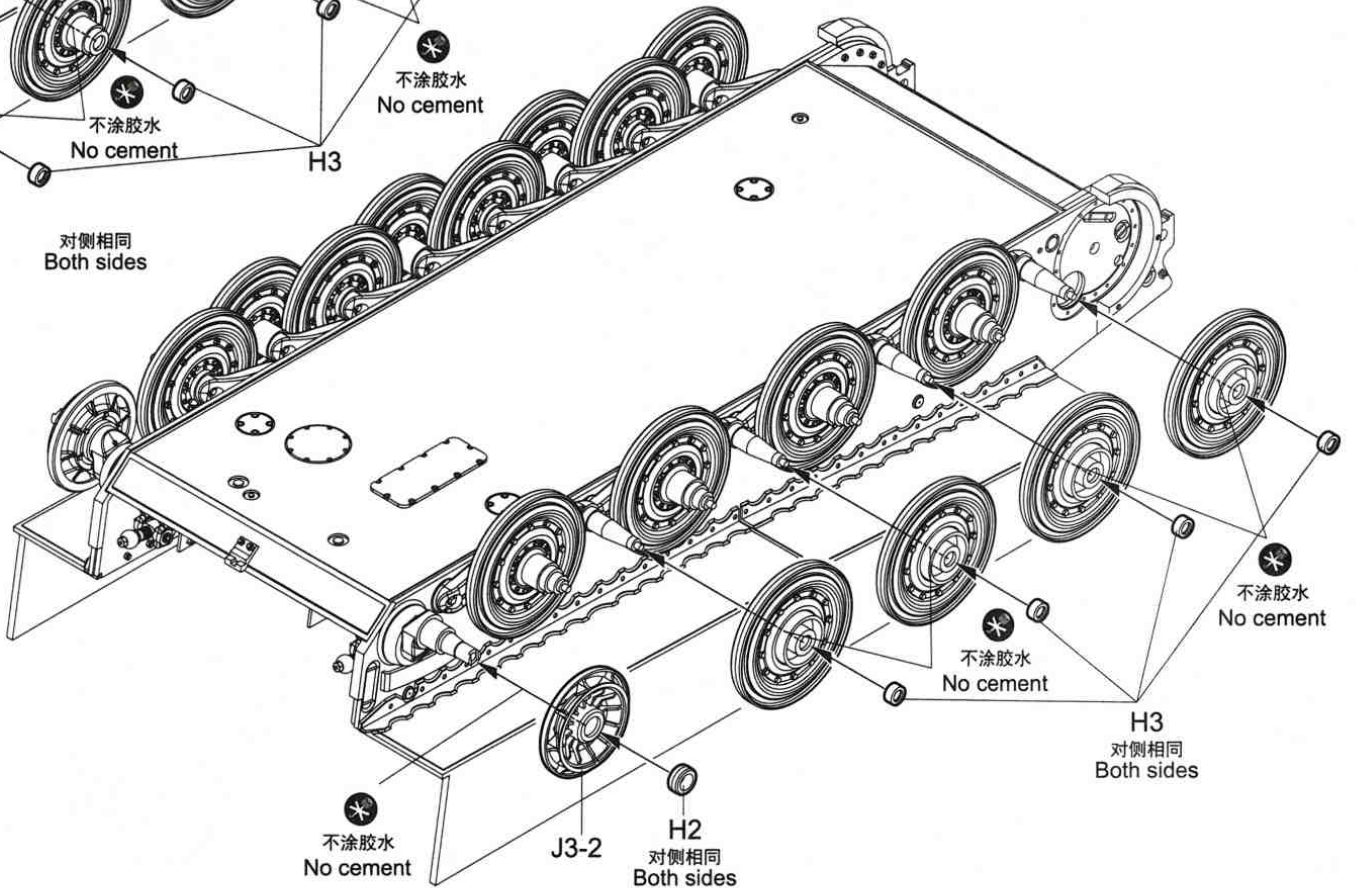
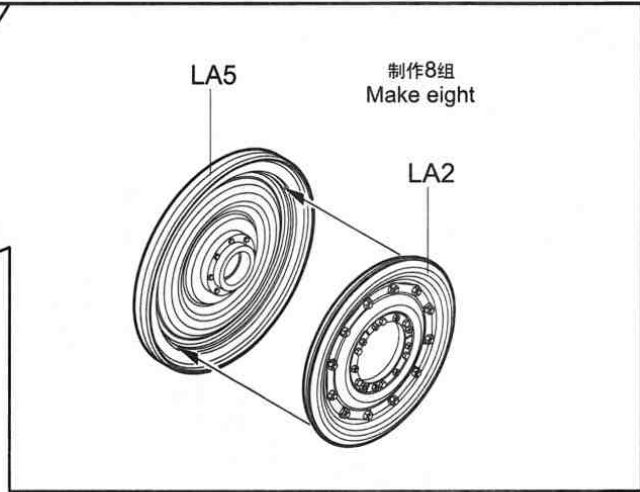
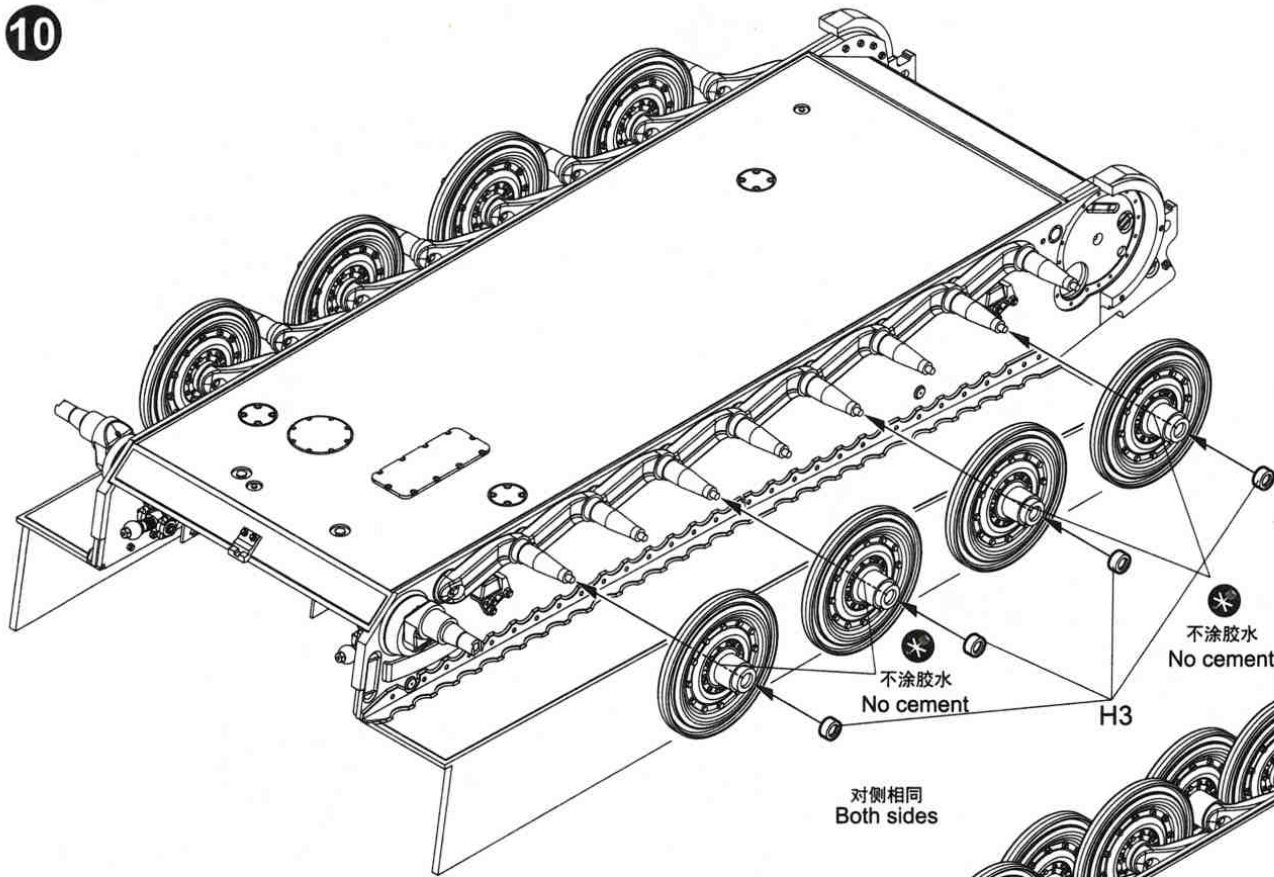
A

制作16组
Make sixteen

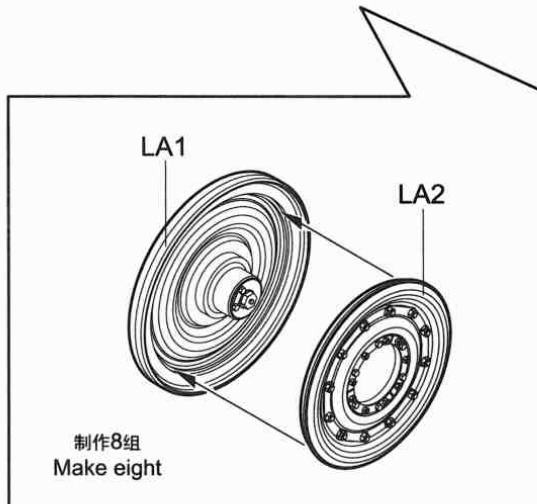
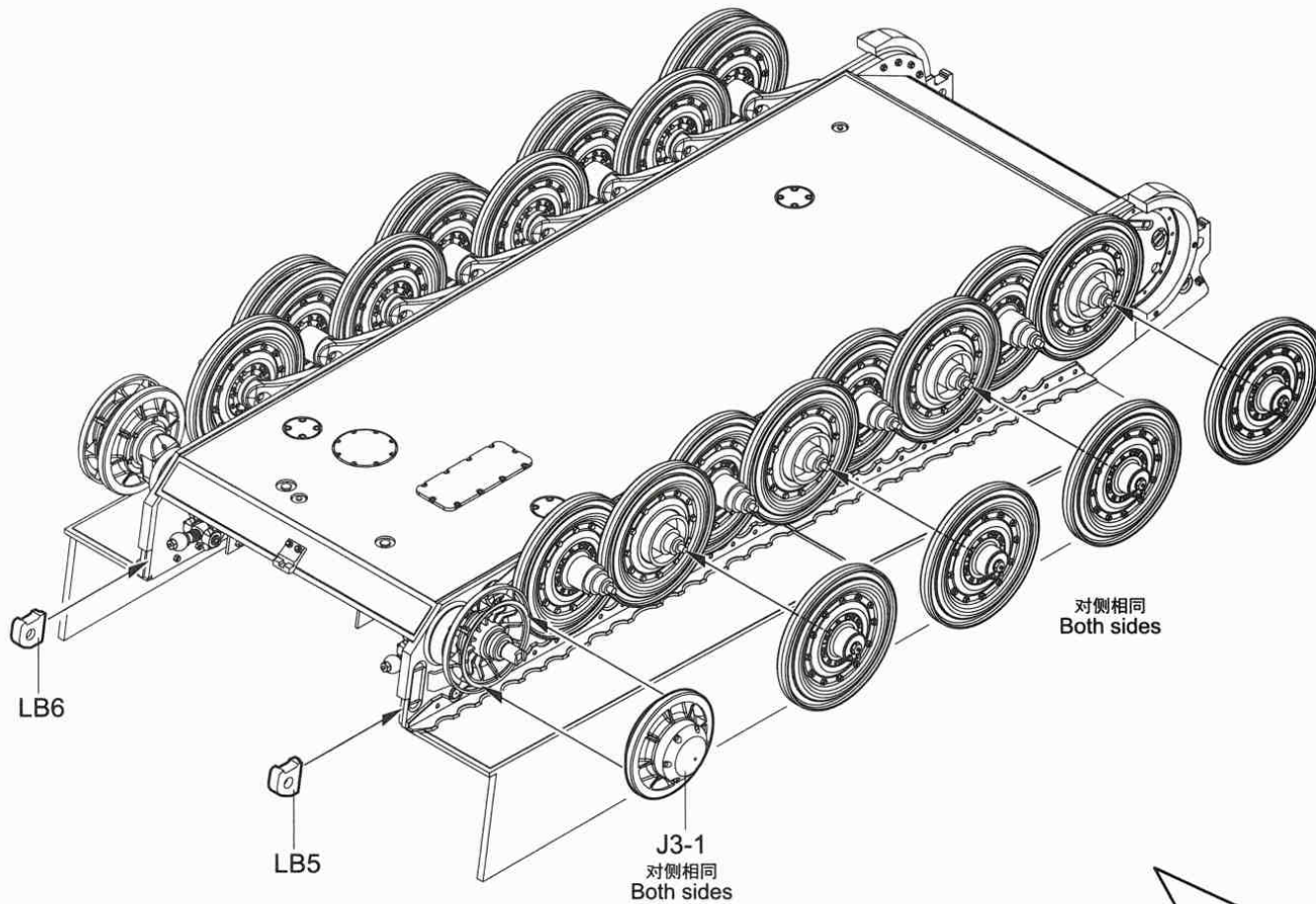
9



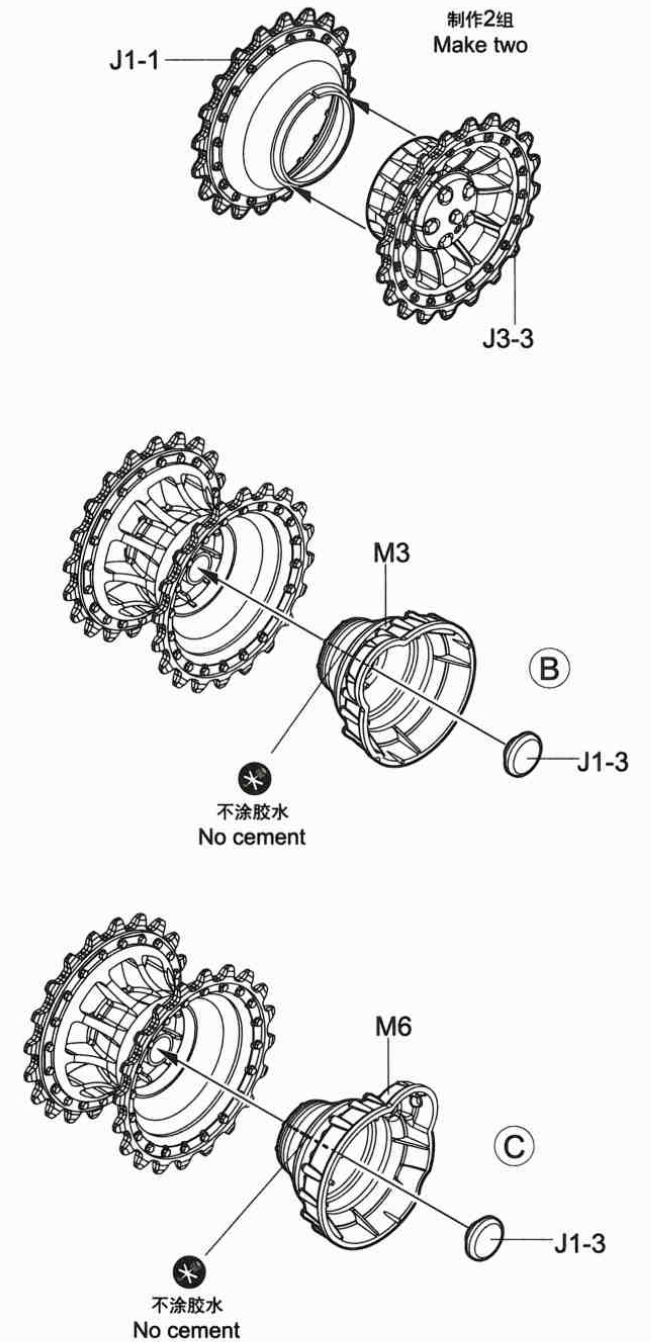
10



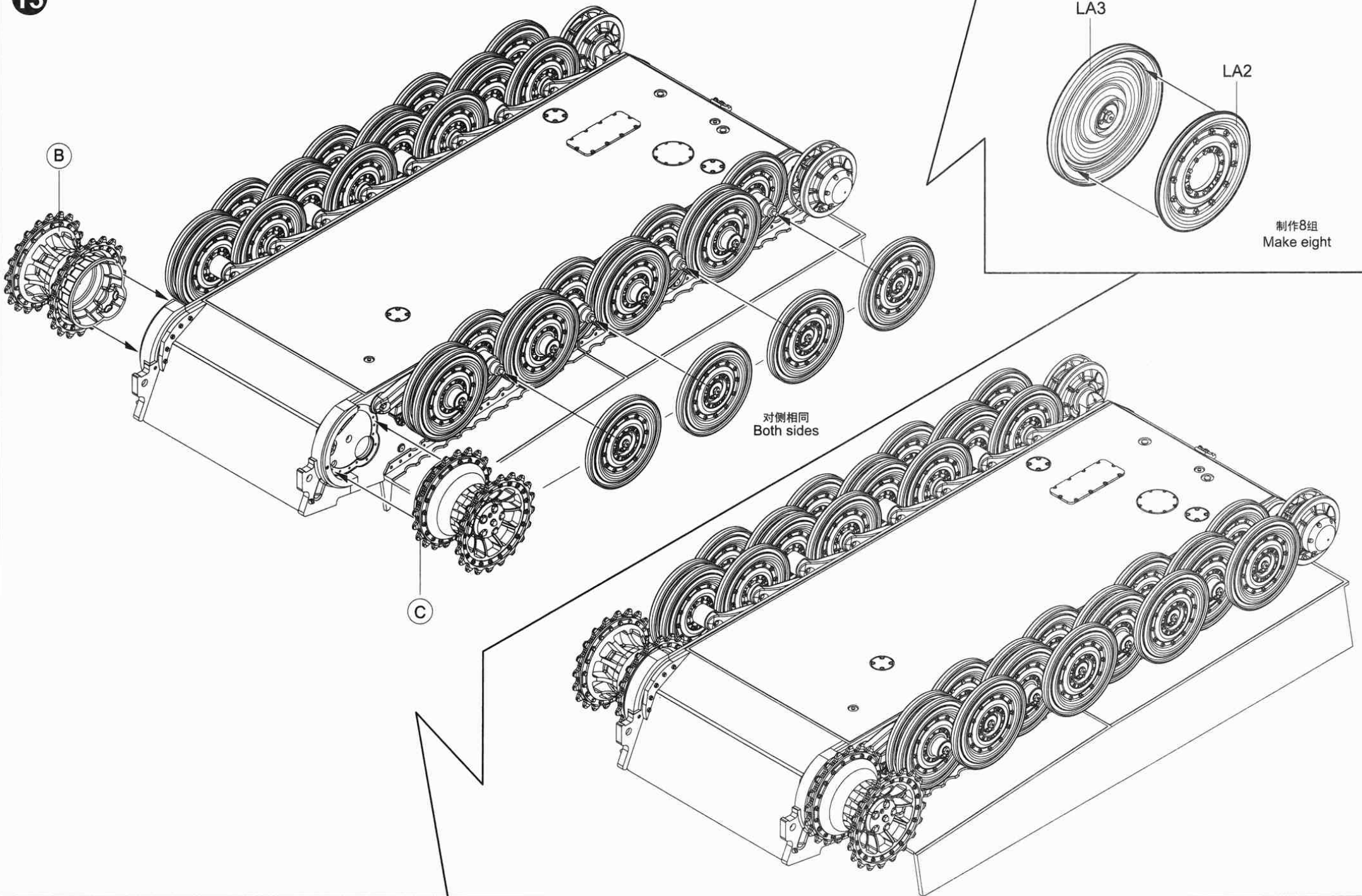
11



12

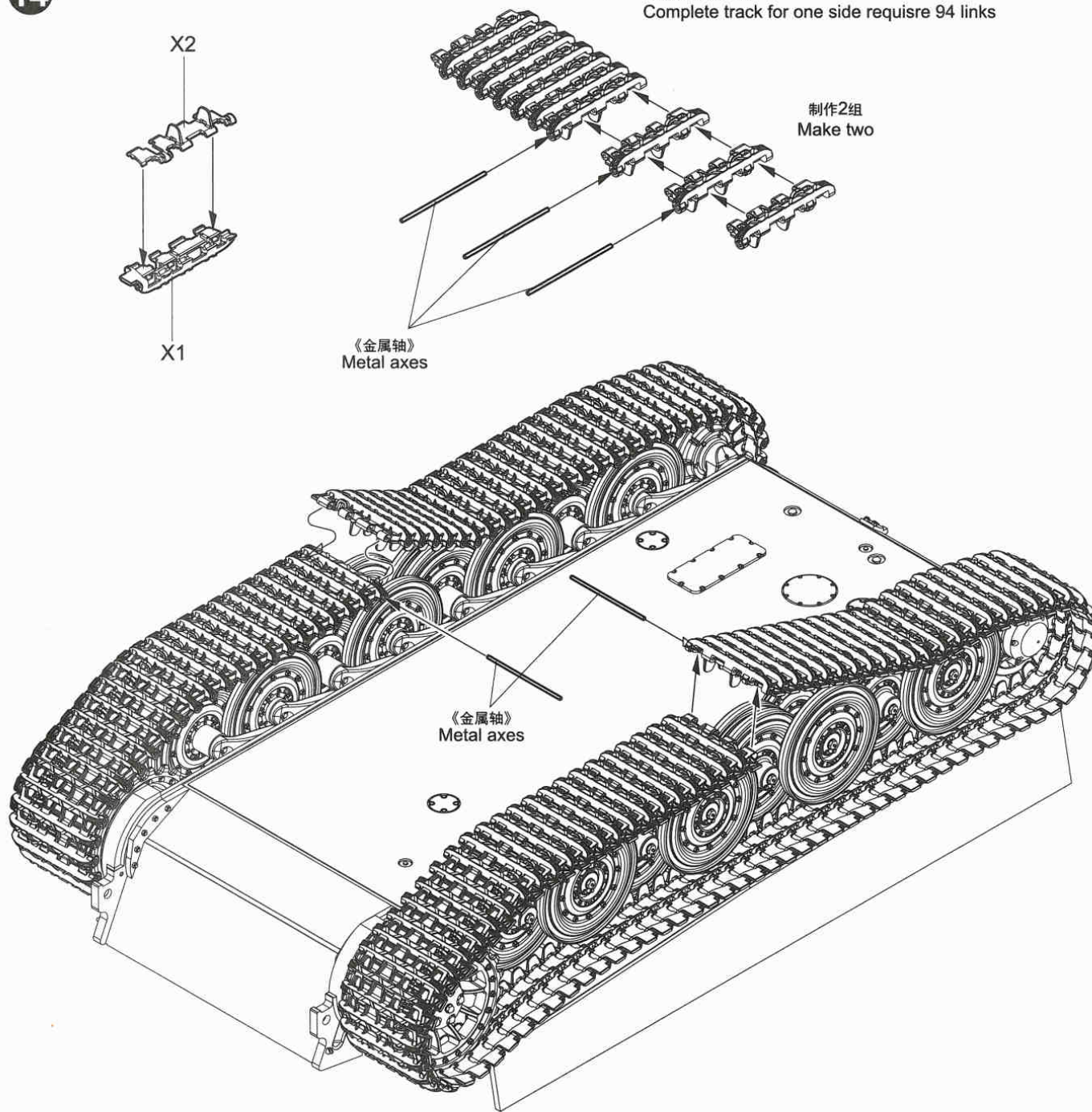


13

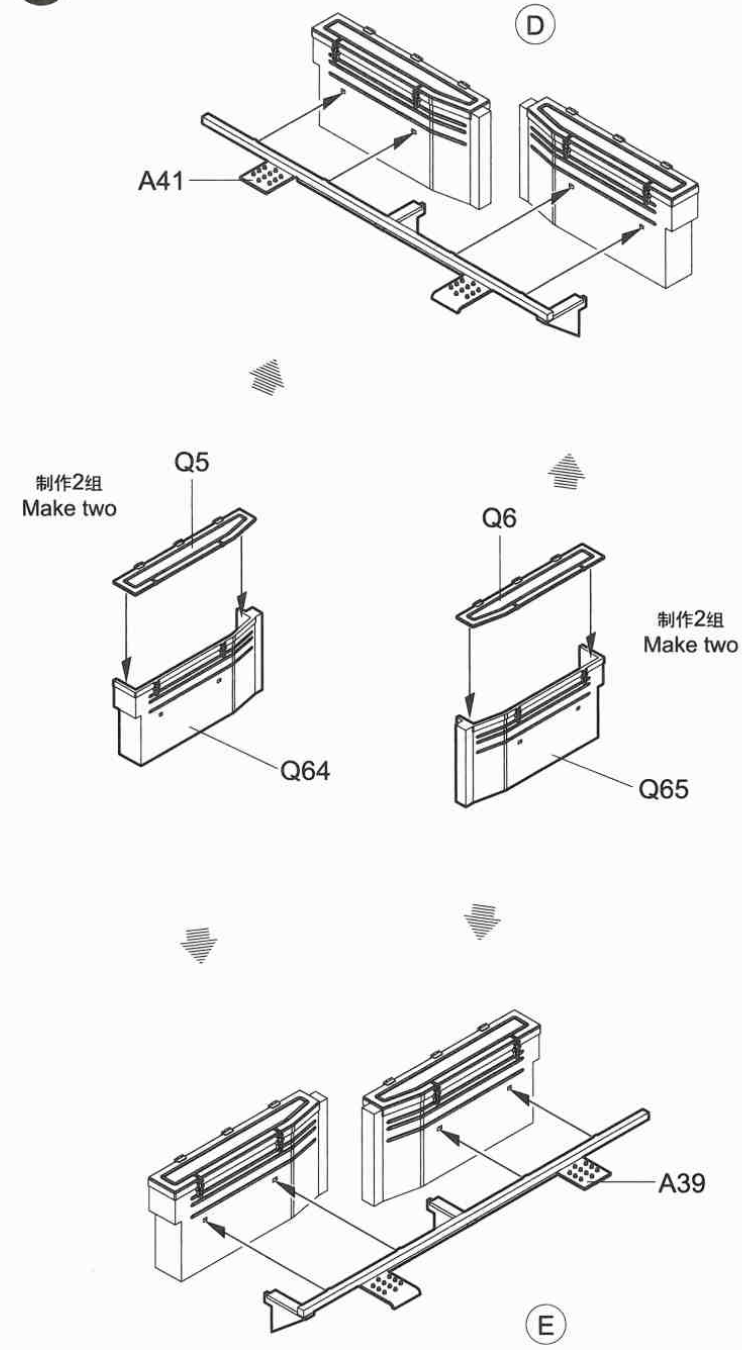


14

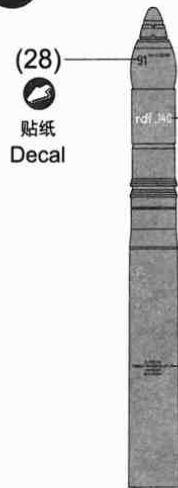
单侧履约需94节
Complete track for one side requirse 94 links



15



16



(28)
贴纸
Decal

(35)
贴纸
Decal

(34)
贴纸
Decal

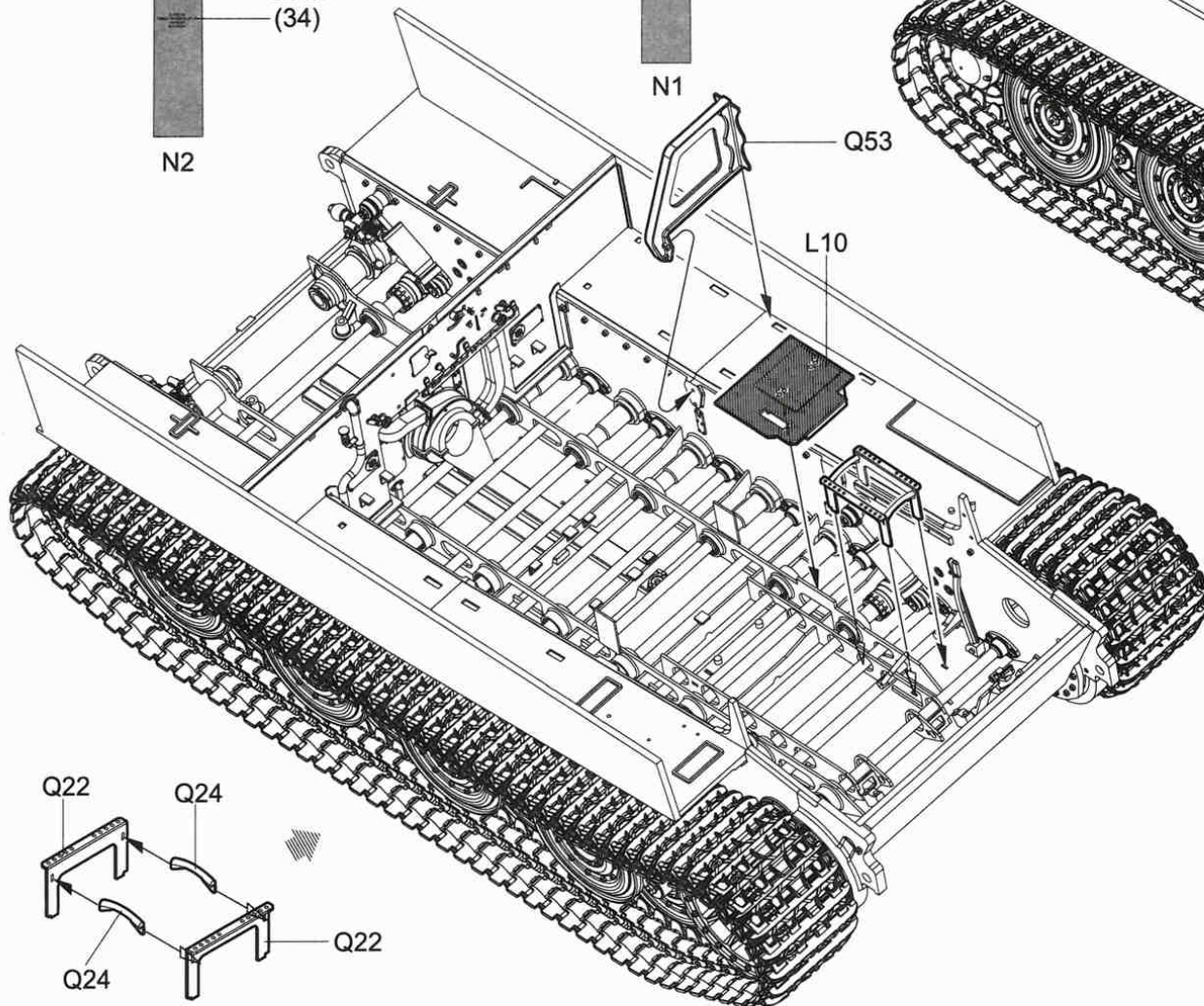
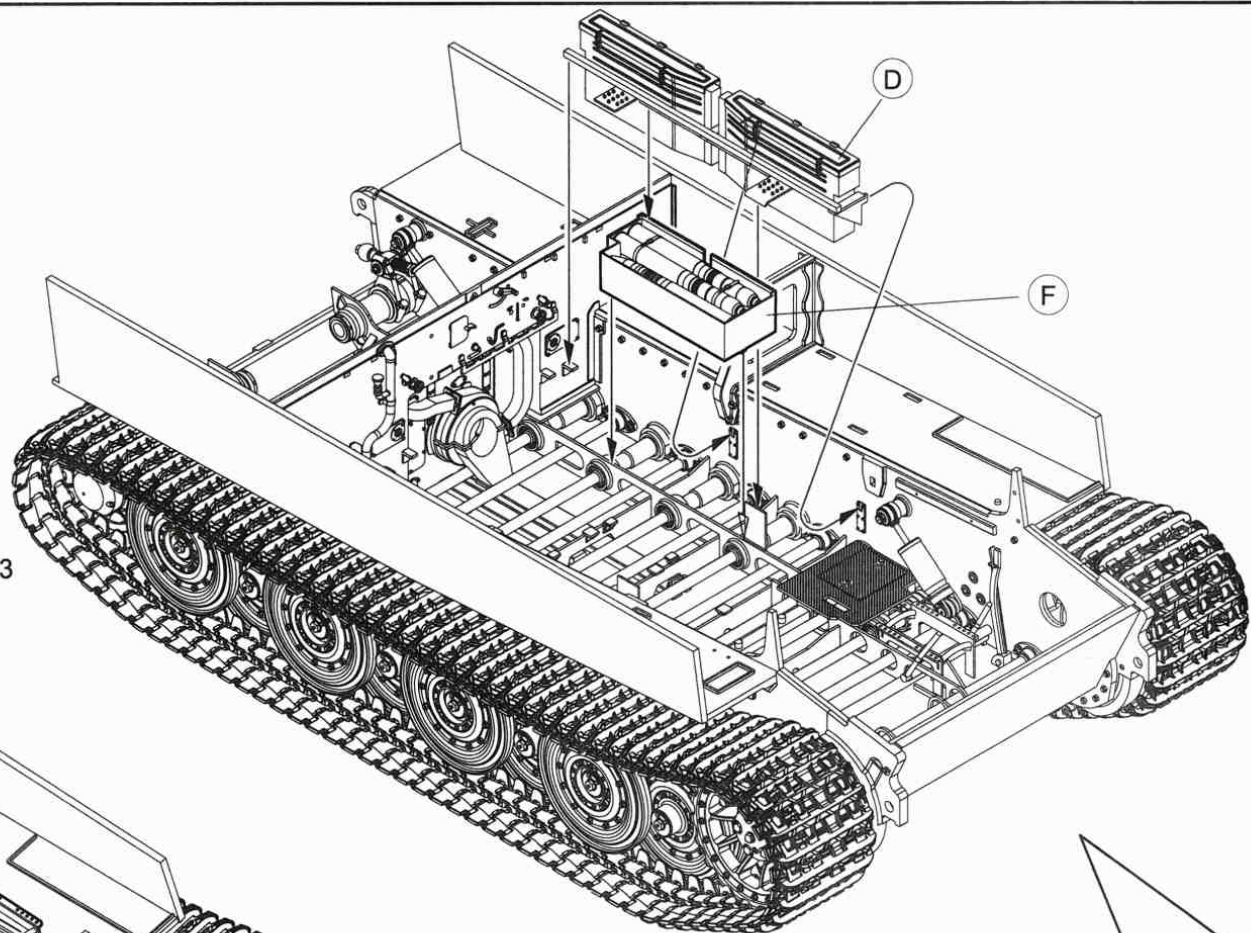
N2



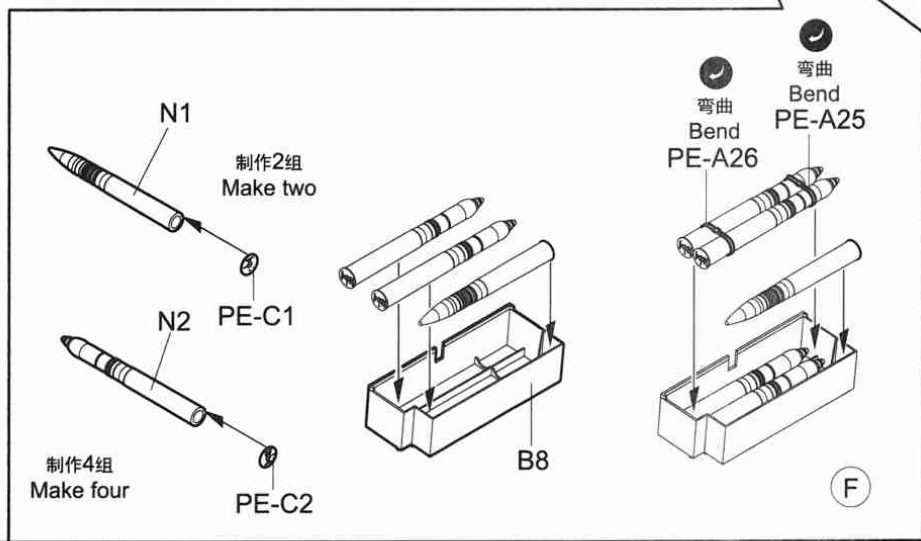
(32) 贴纸
Decal (30) 贴纸
Decal (31) Decal

N1

贴纸
Decal (25)



Q22 Q24
Q24 Q22



N1
制作2组
Make two

N2
制作4组
Make four

PE-C1

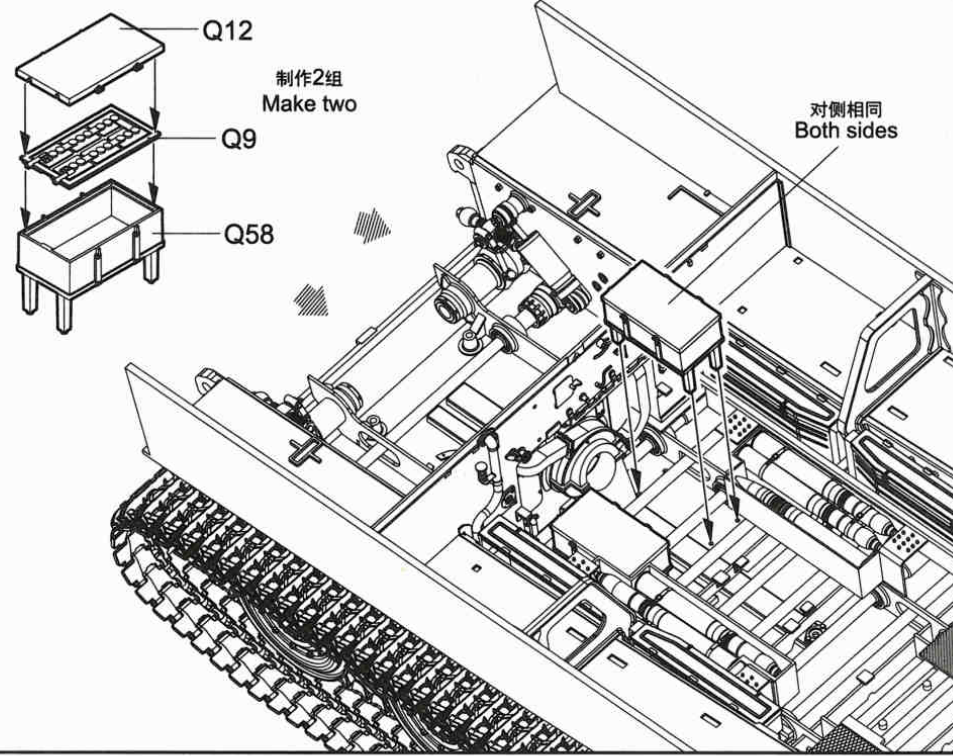
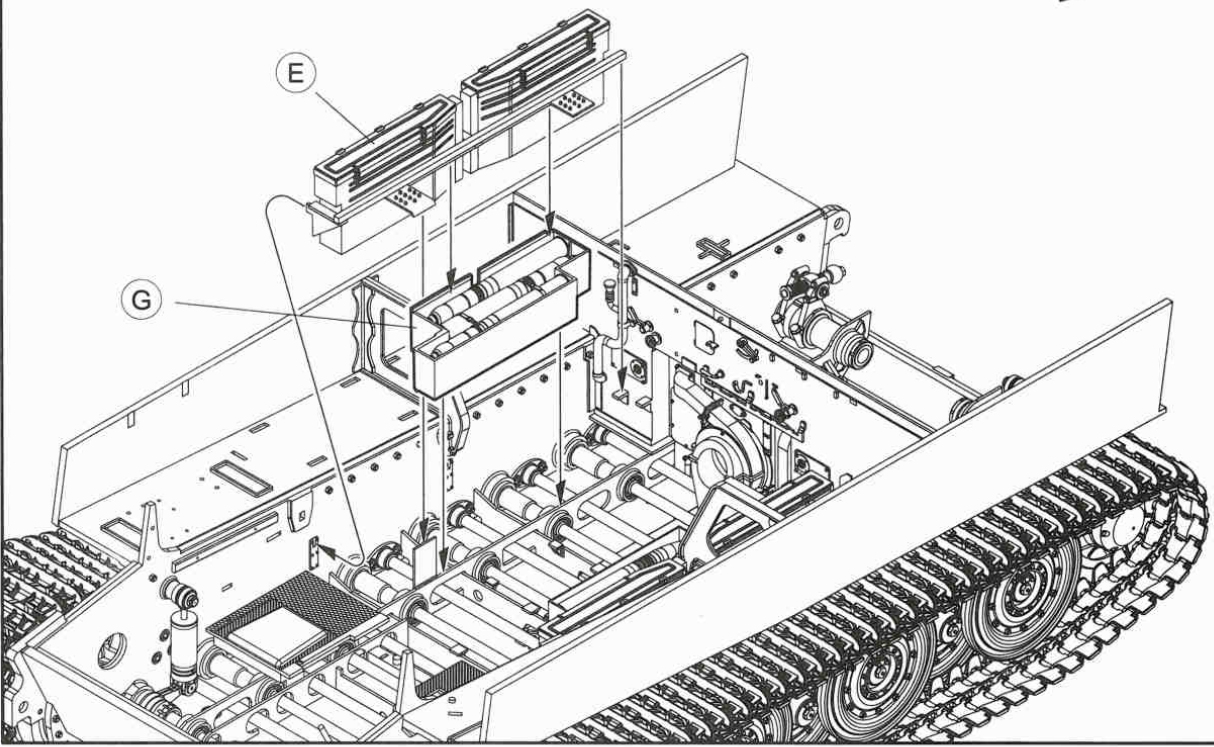
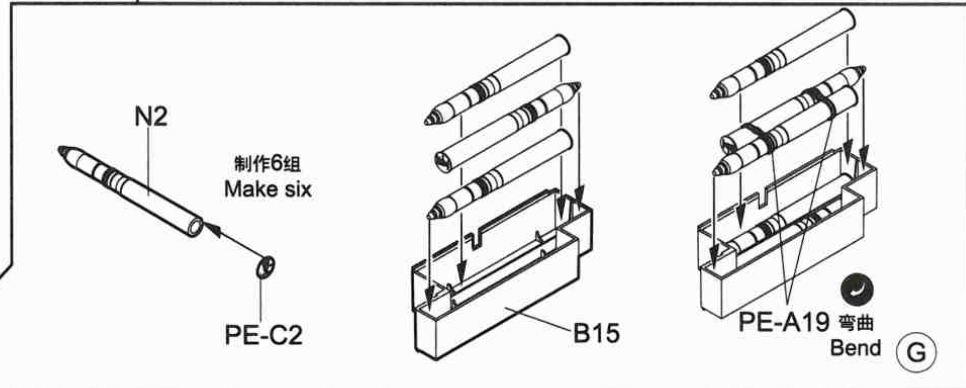
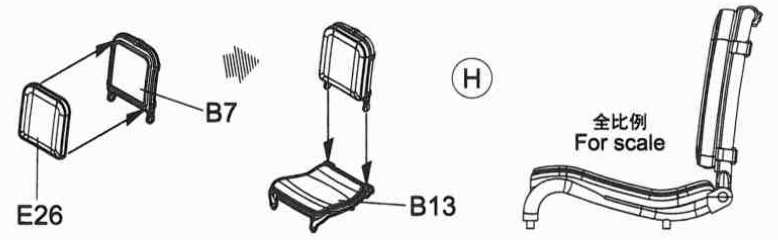
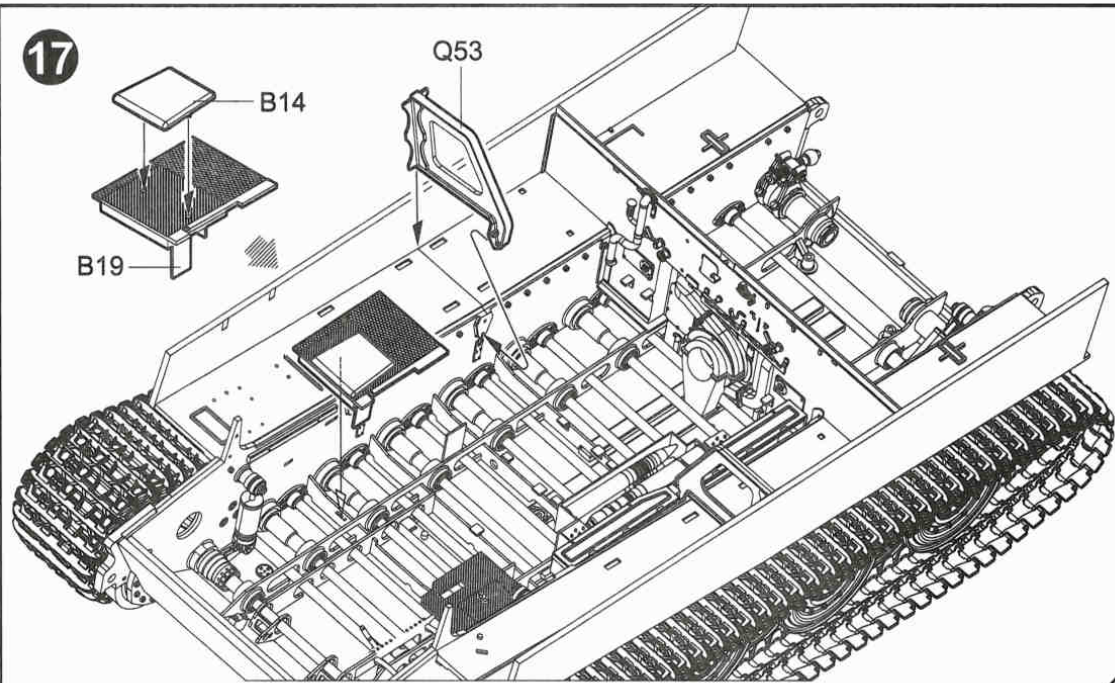
PE-C2

B8

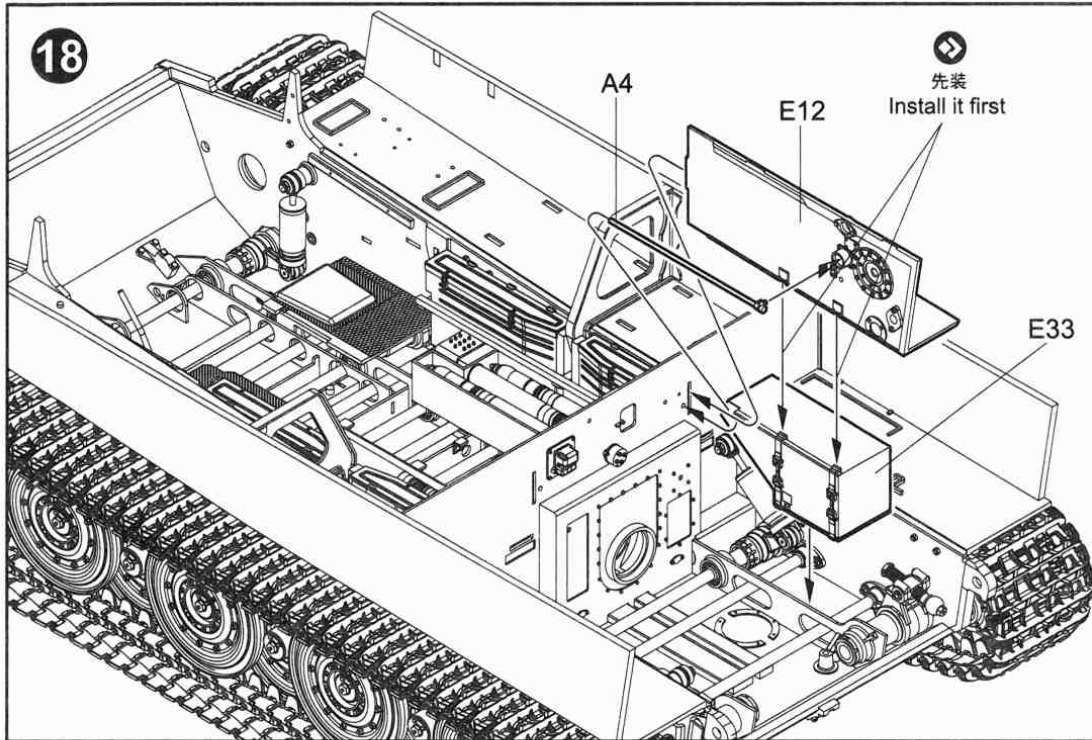
弯曲
Bend
PE-A25
弯曲
Bend
PE-A26

F

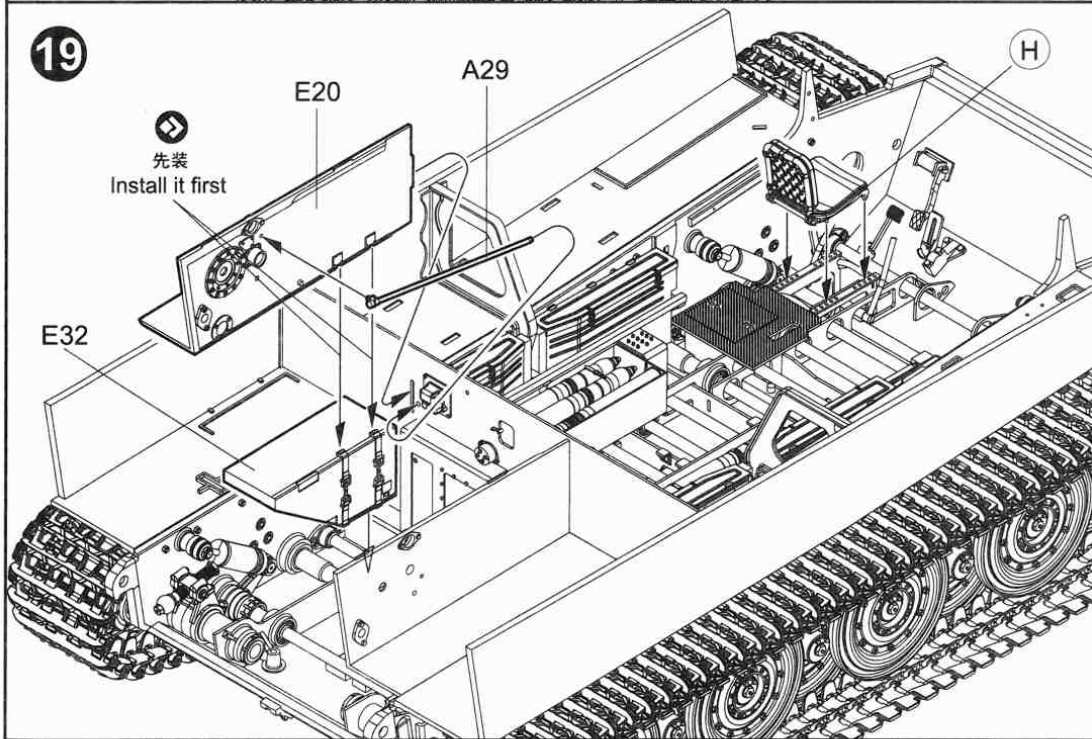
17



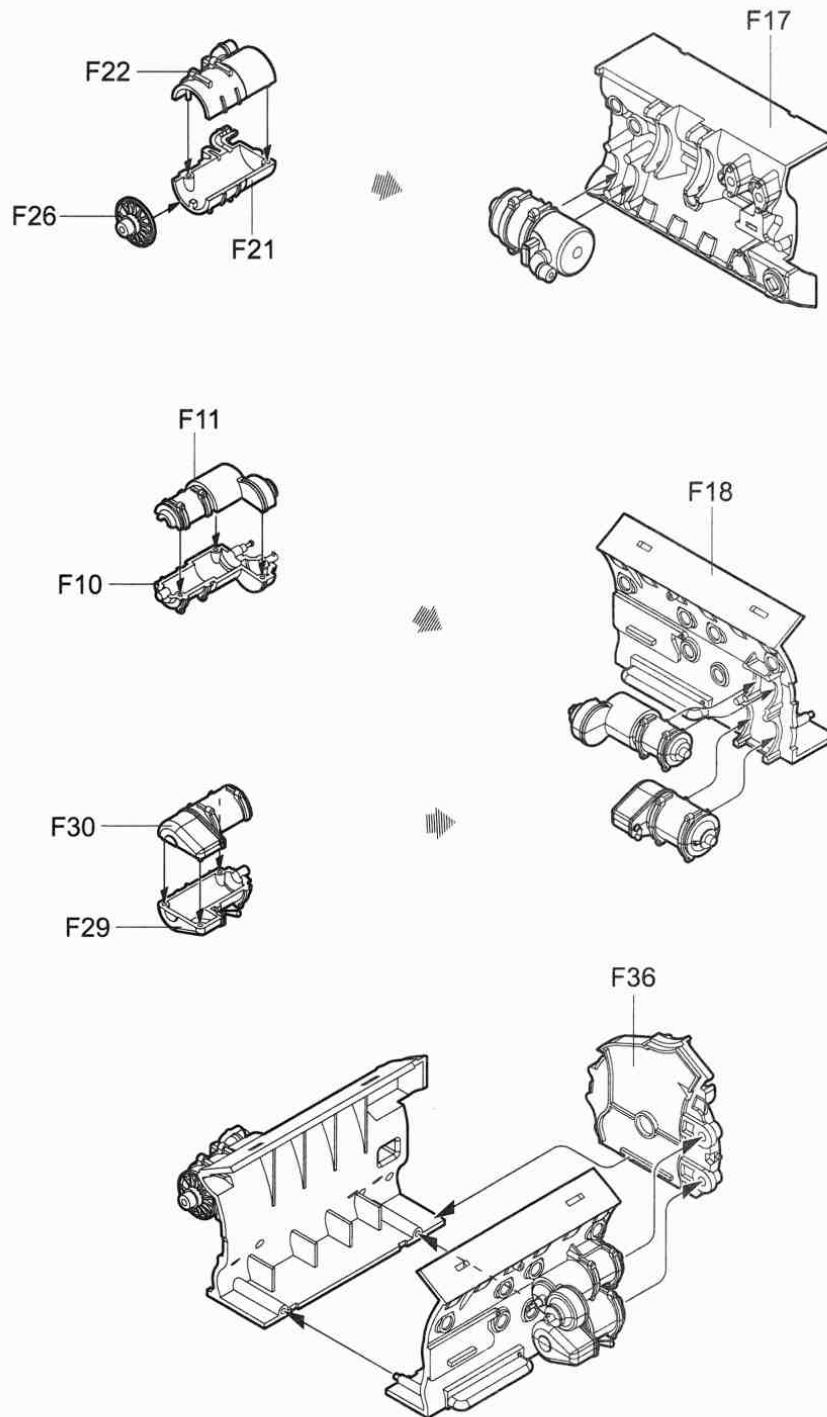
18



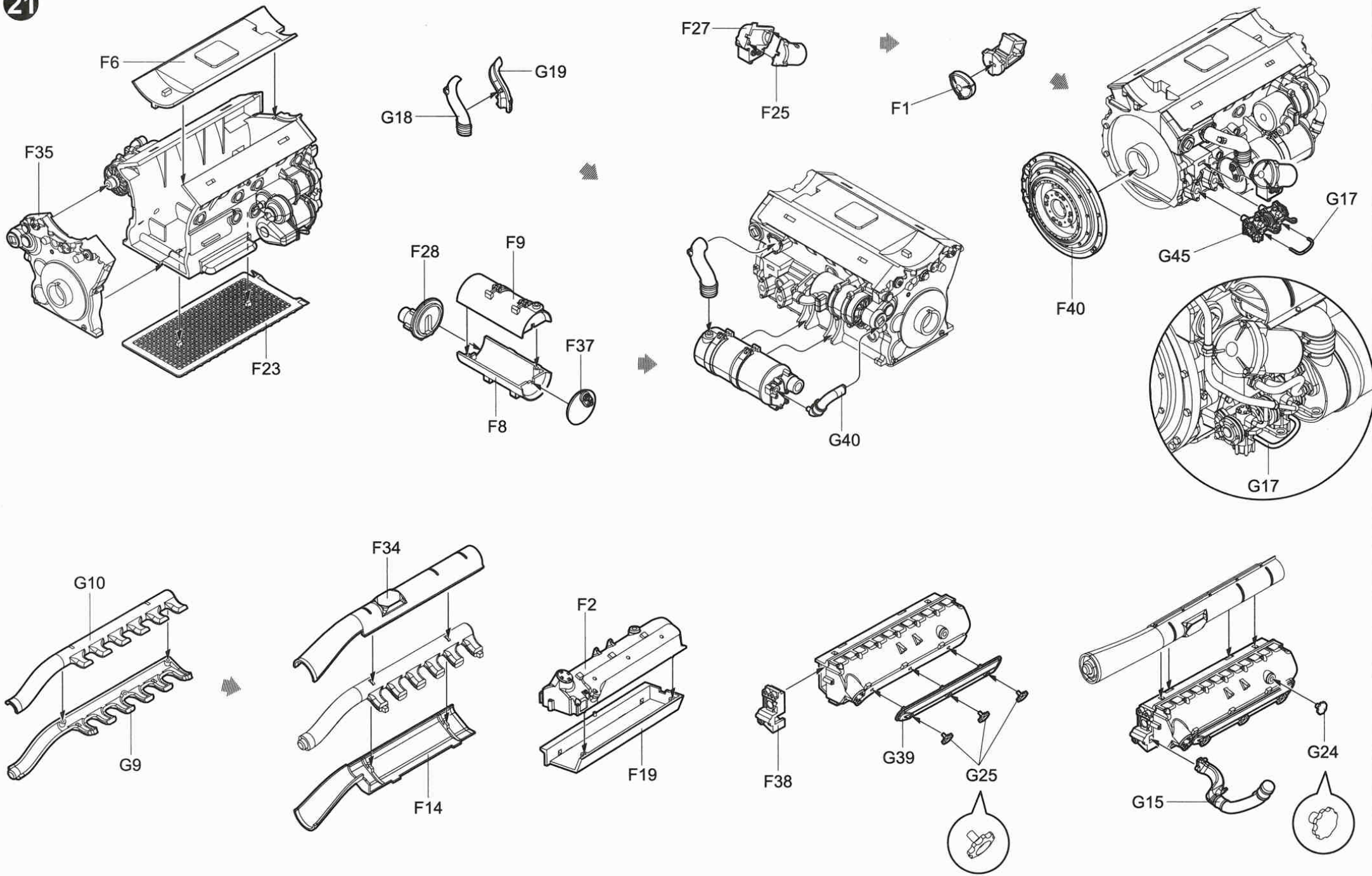
19

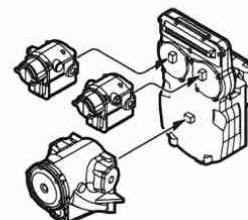
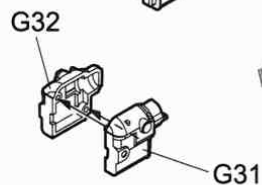
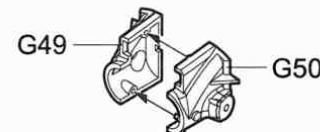
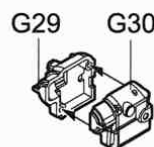
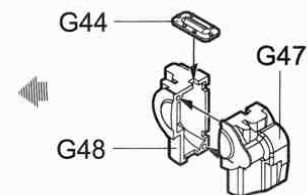
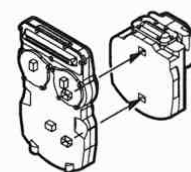
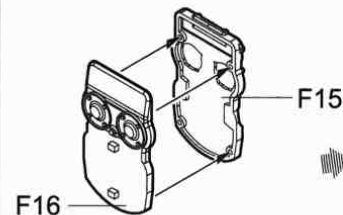
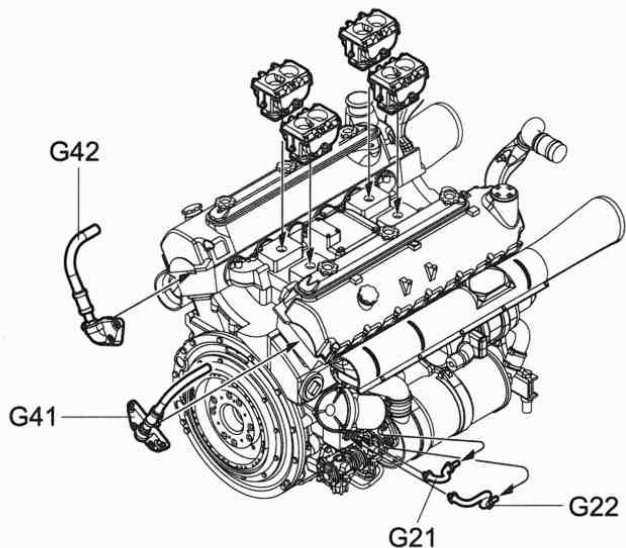
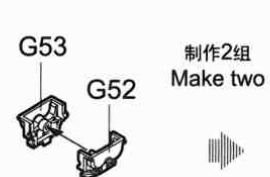
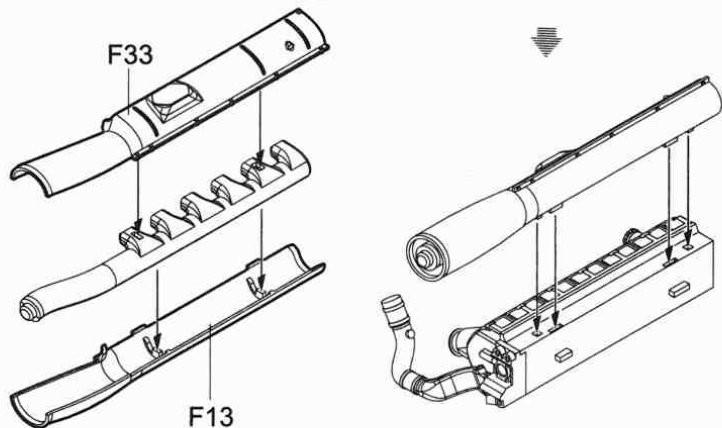
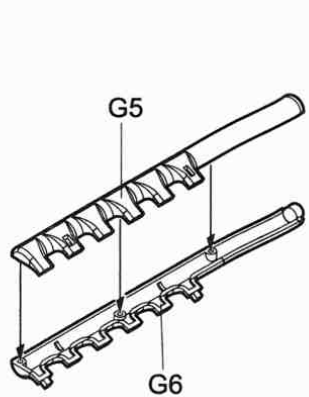
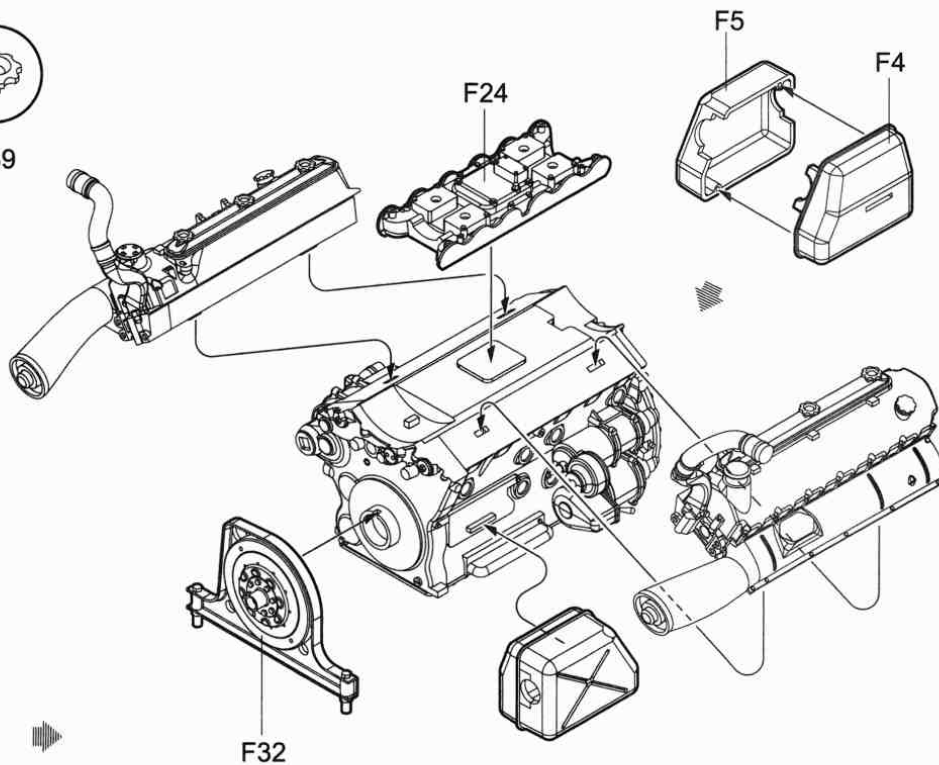
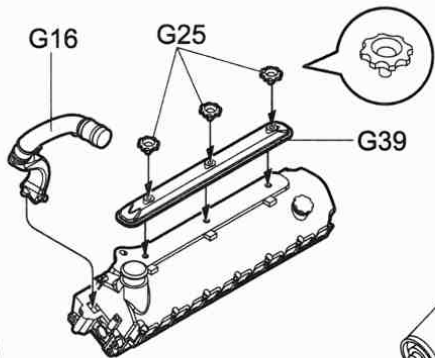
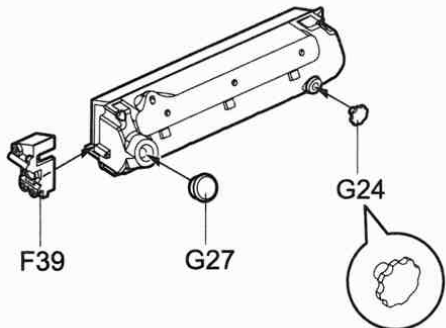
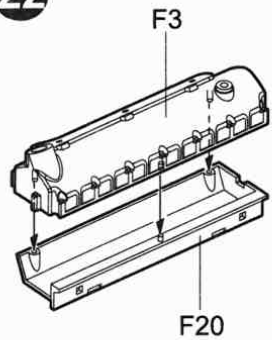


20

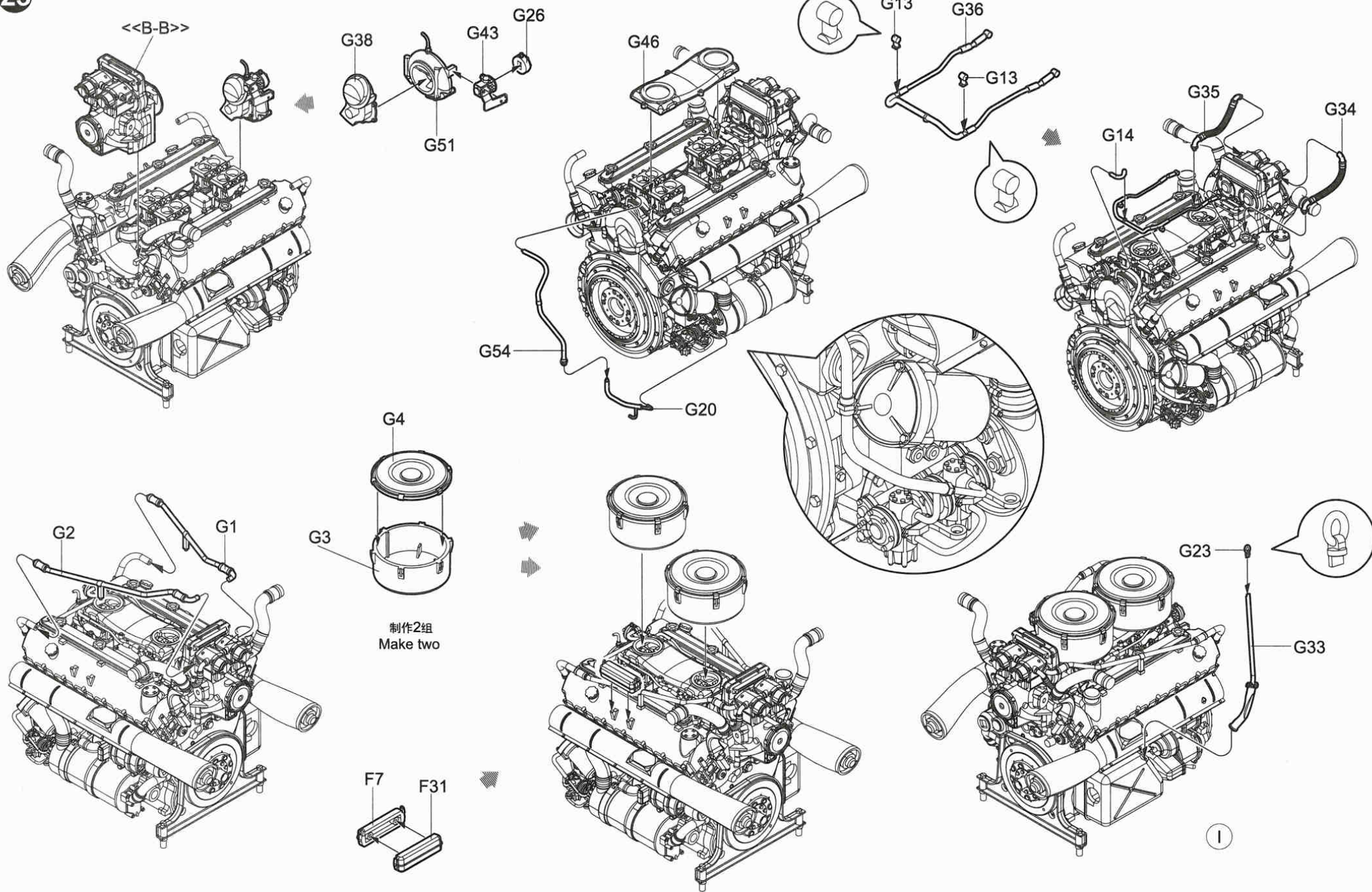


21

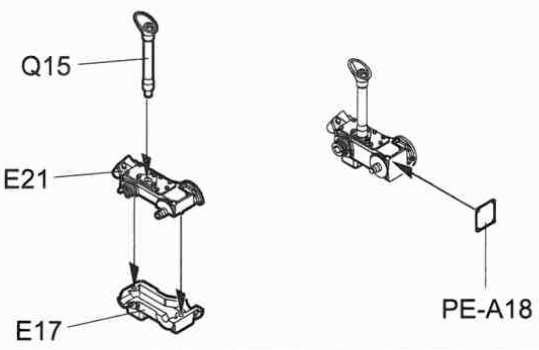
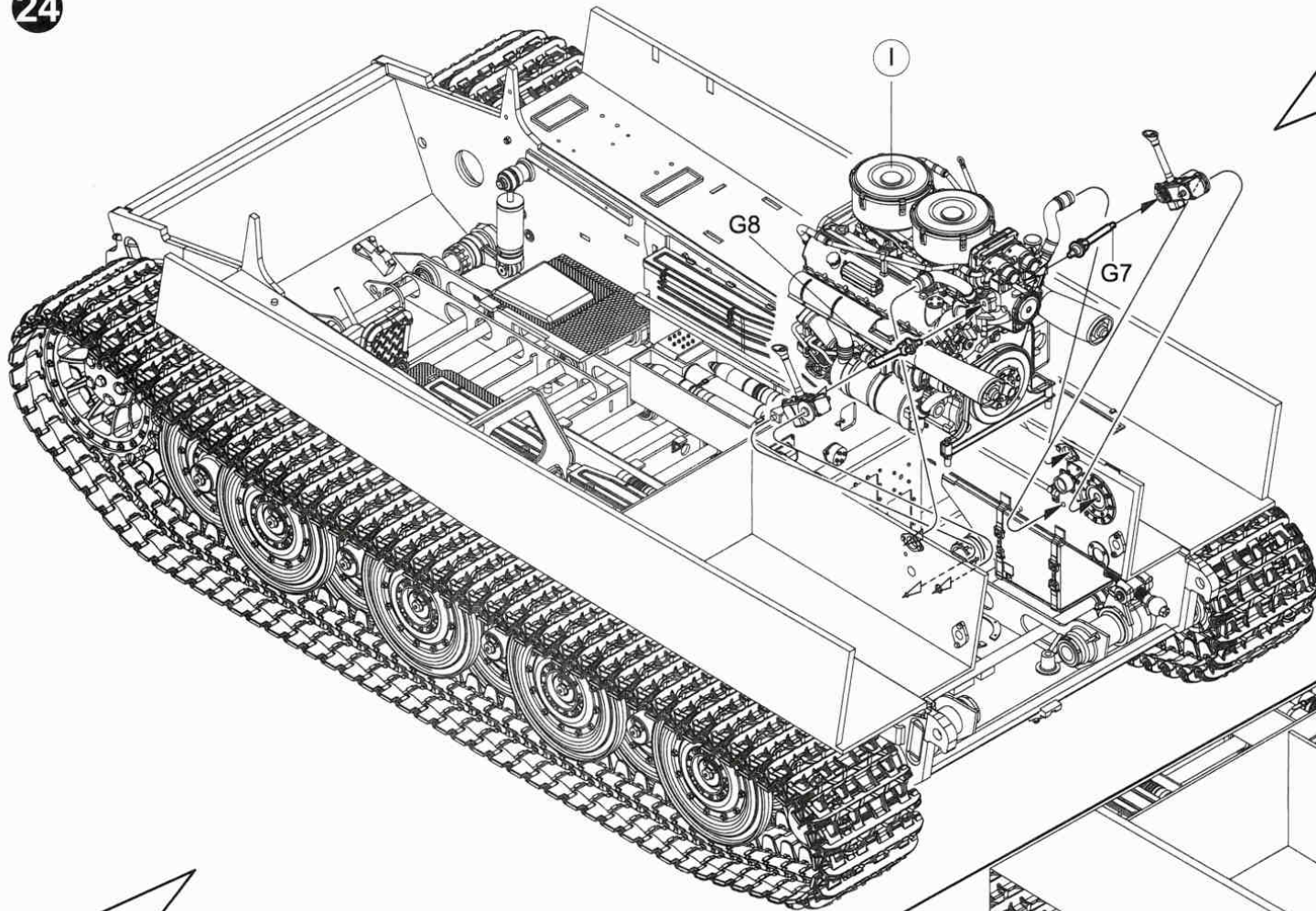




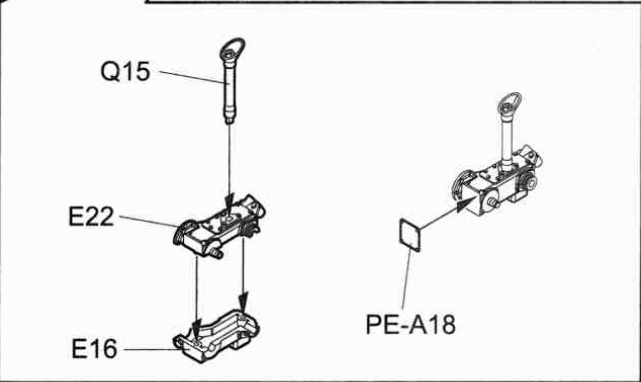
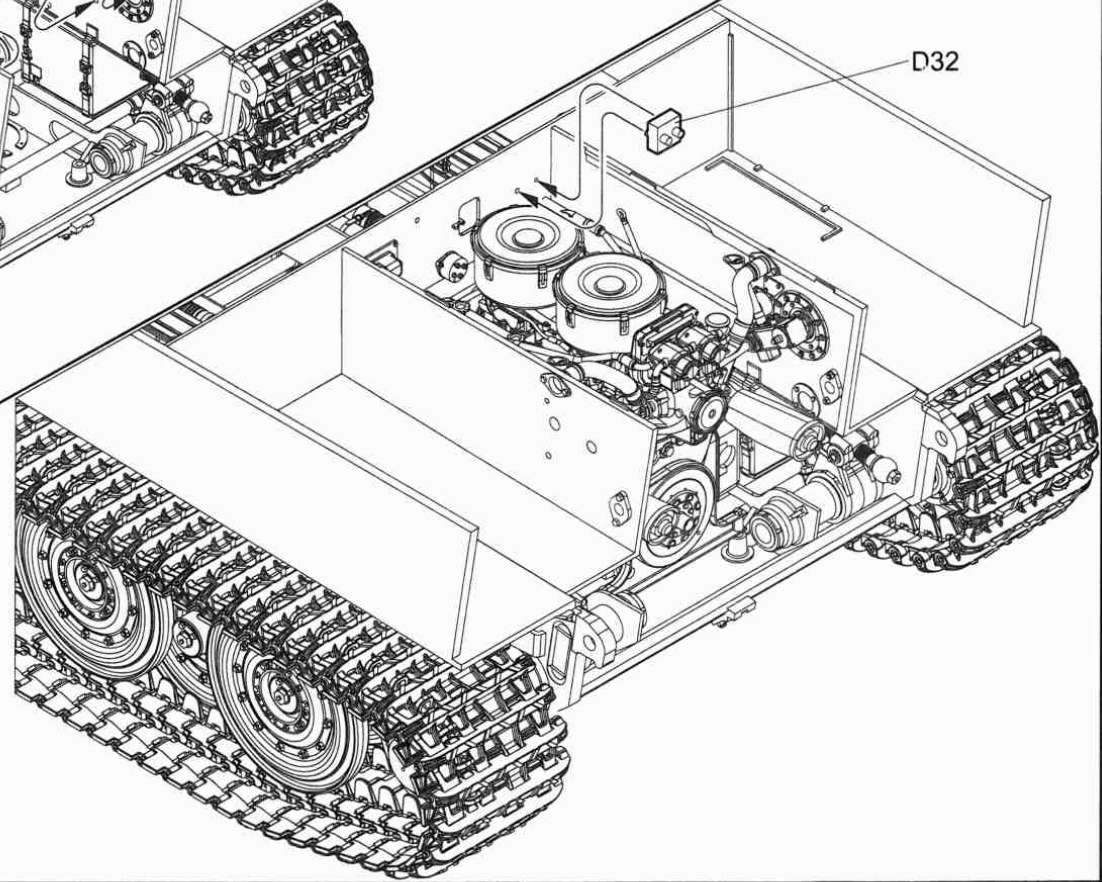
<<B-B>>

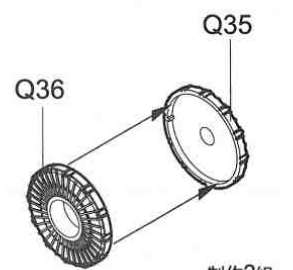
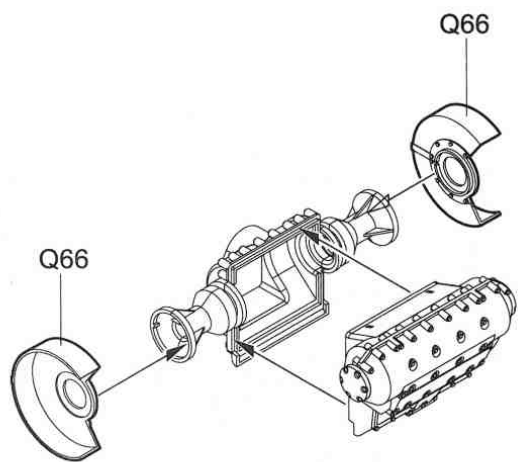
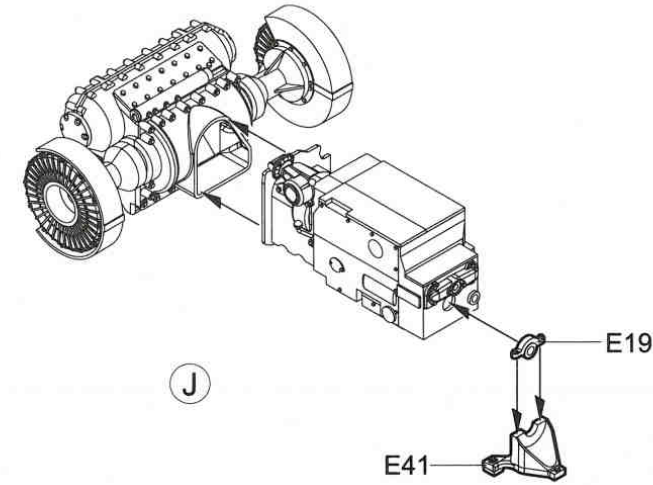
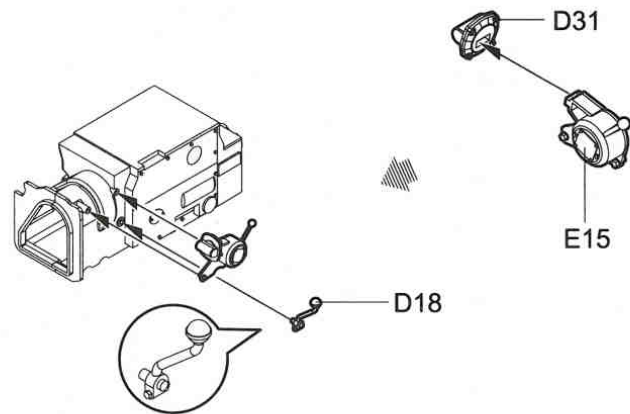
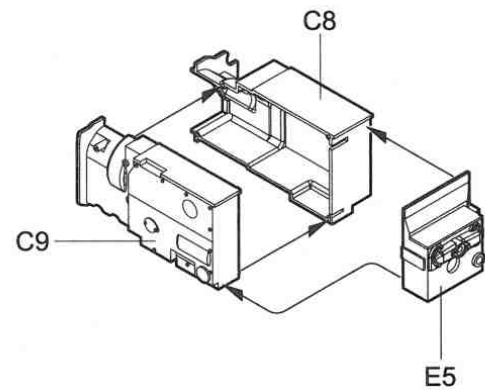
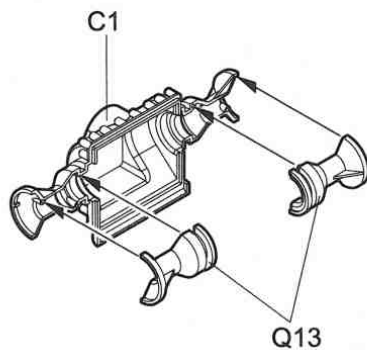
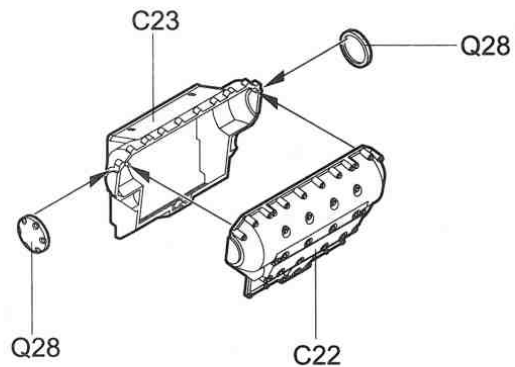


24

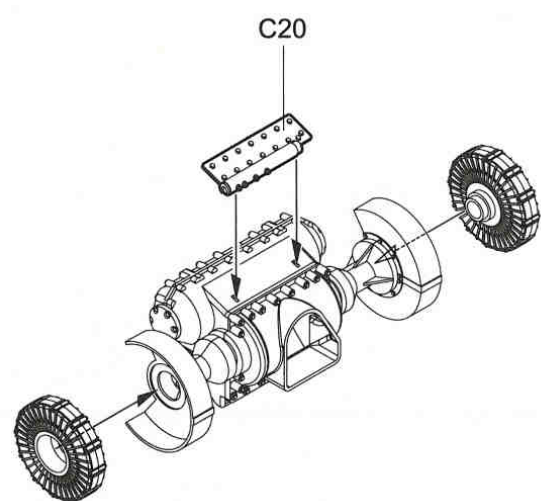


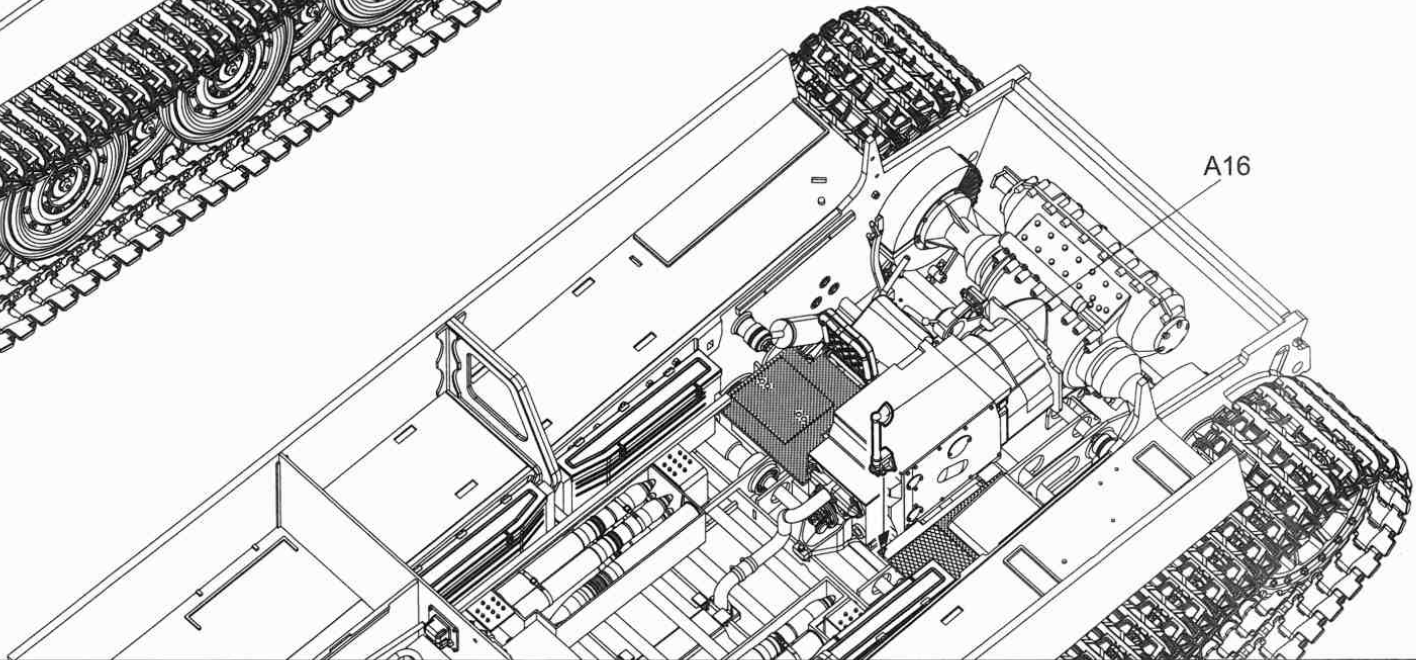
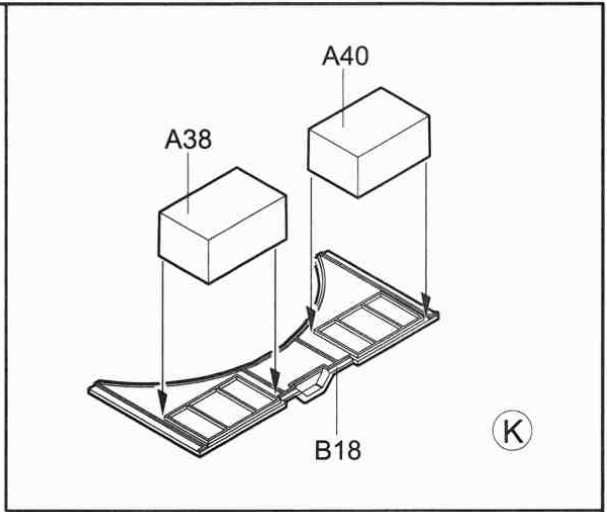
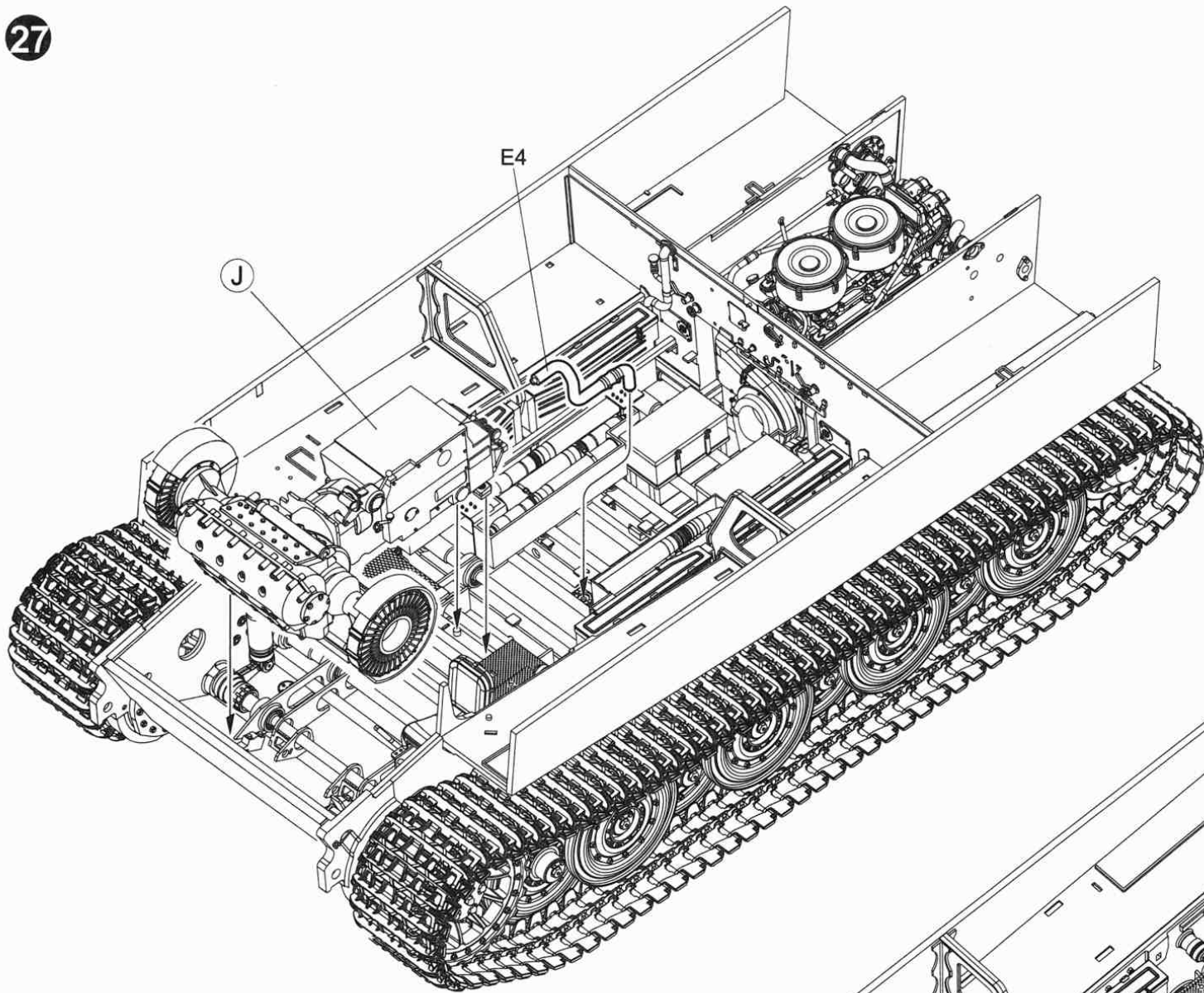
25

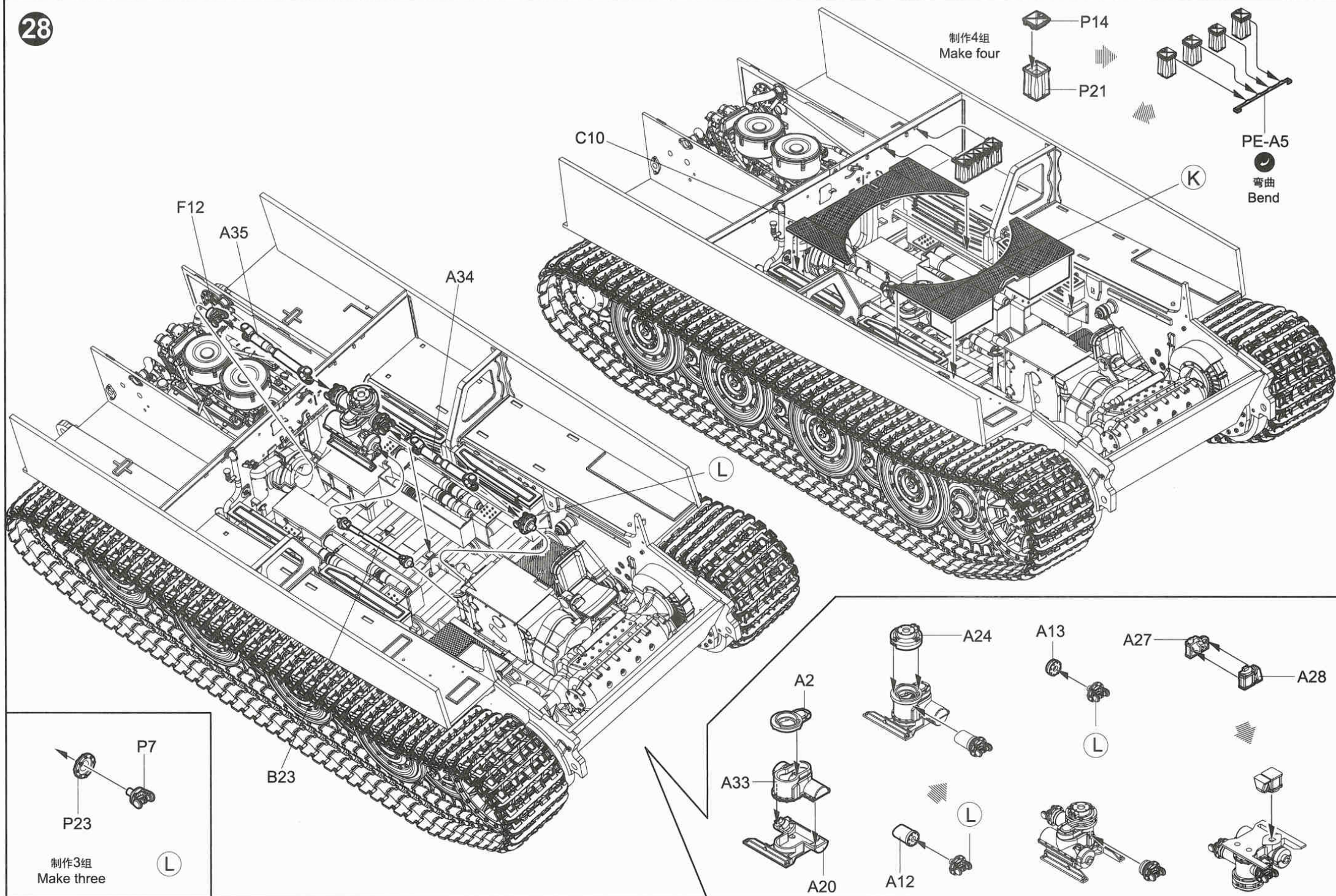




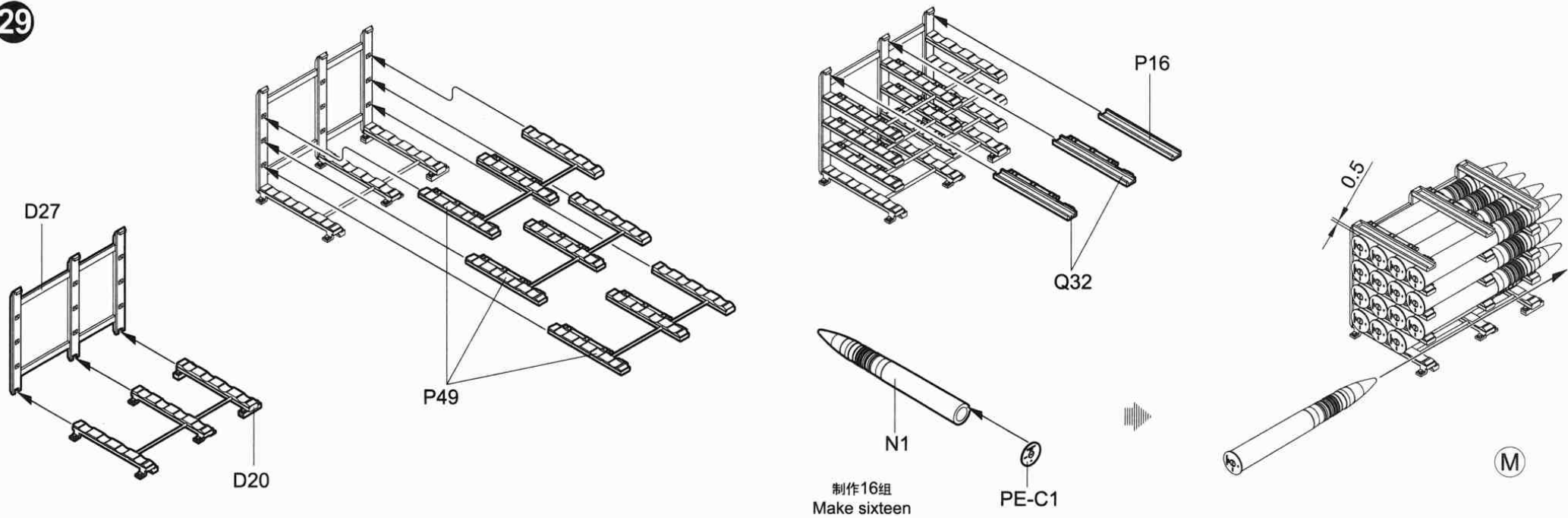
制作2组
Make two



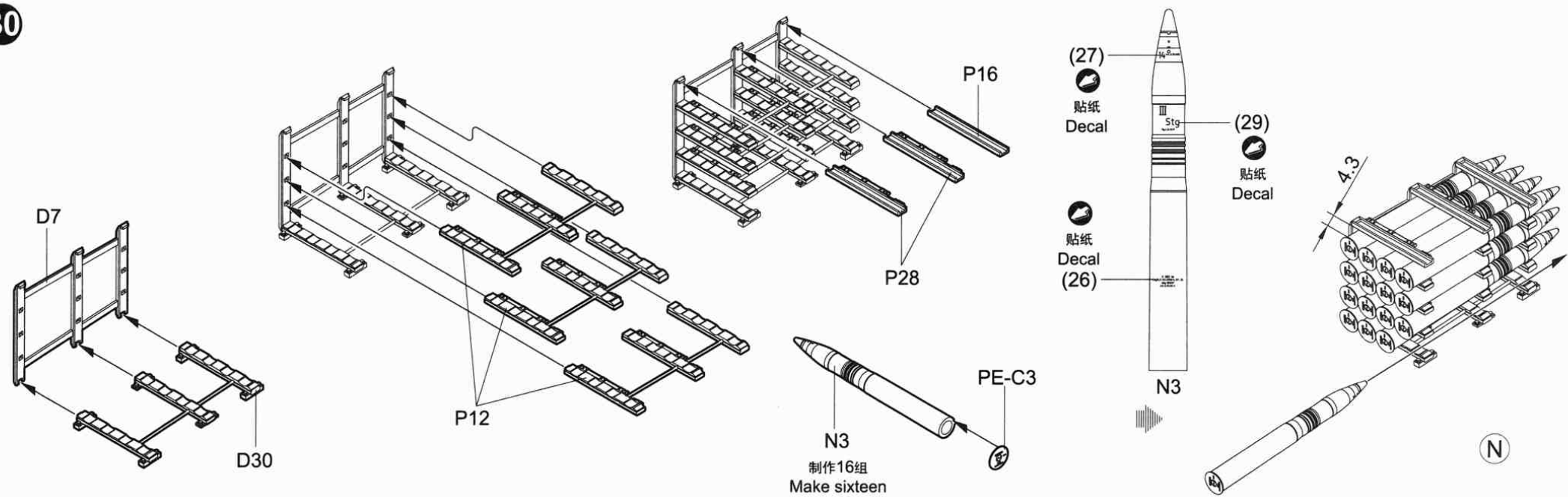




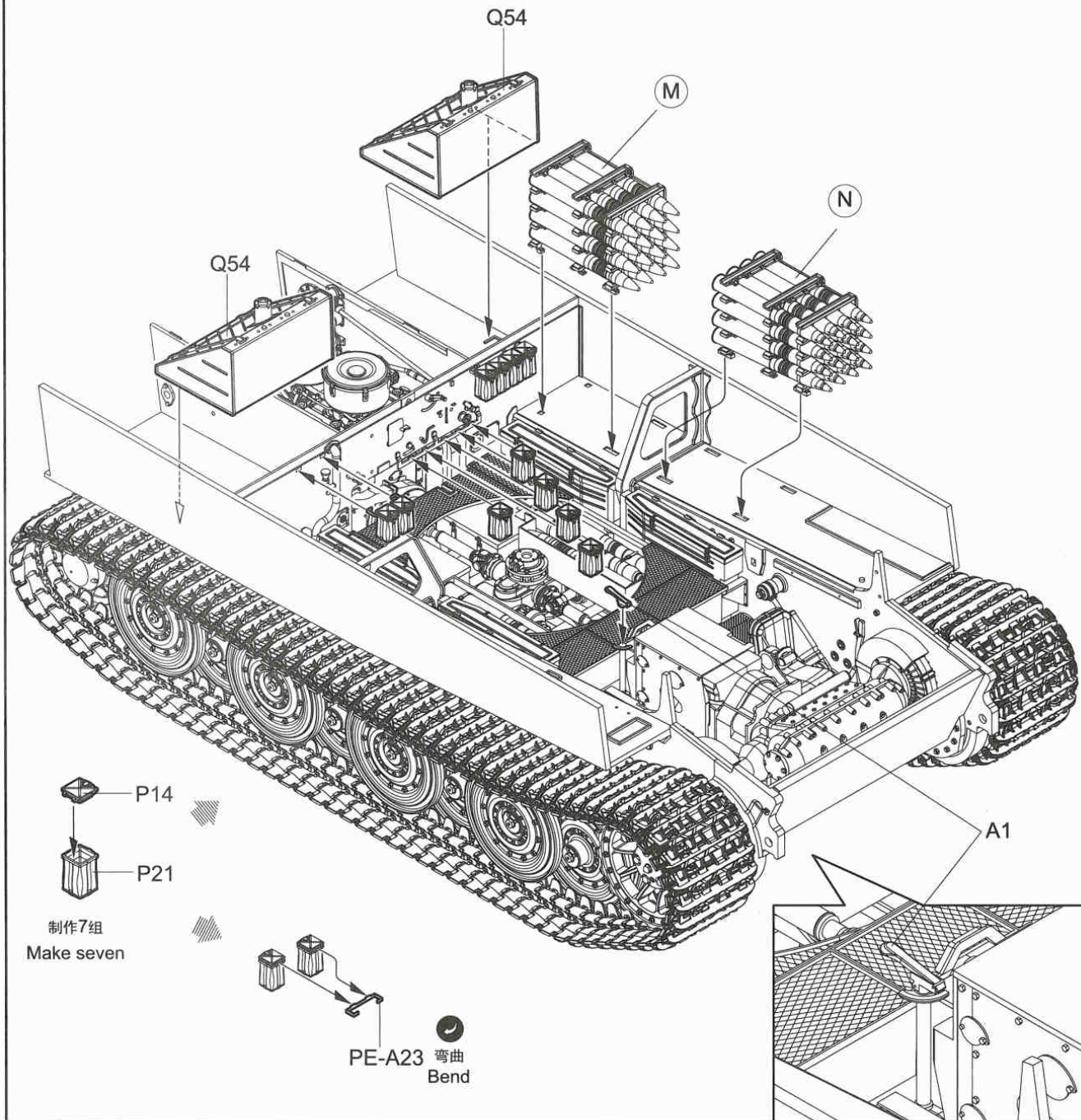
29



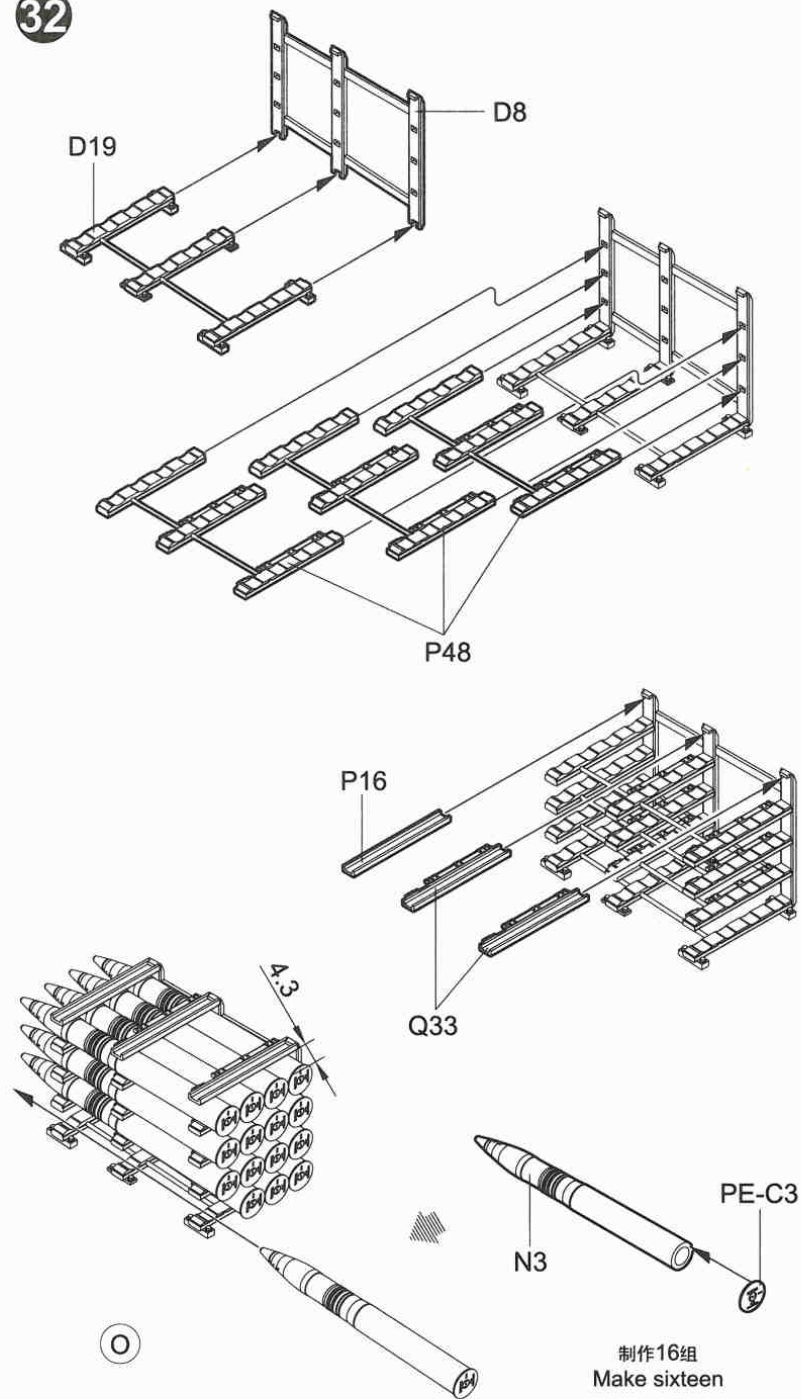
30



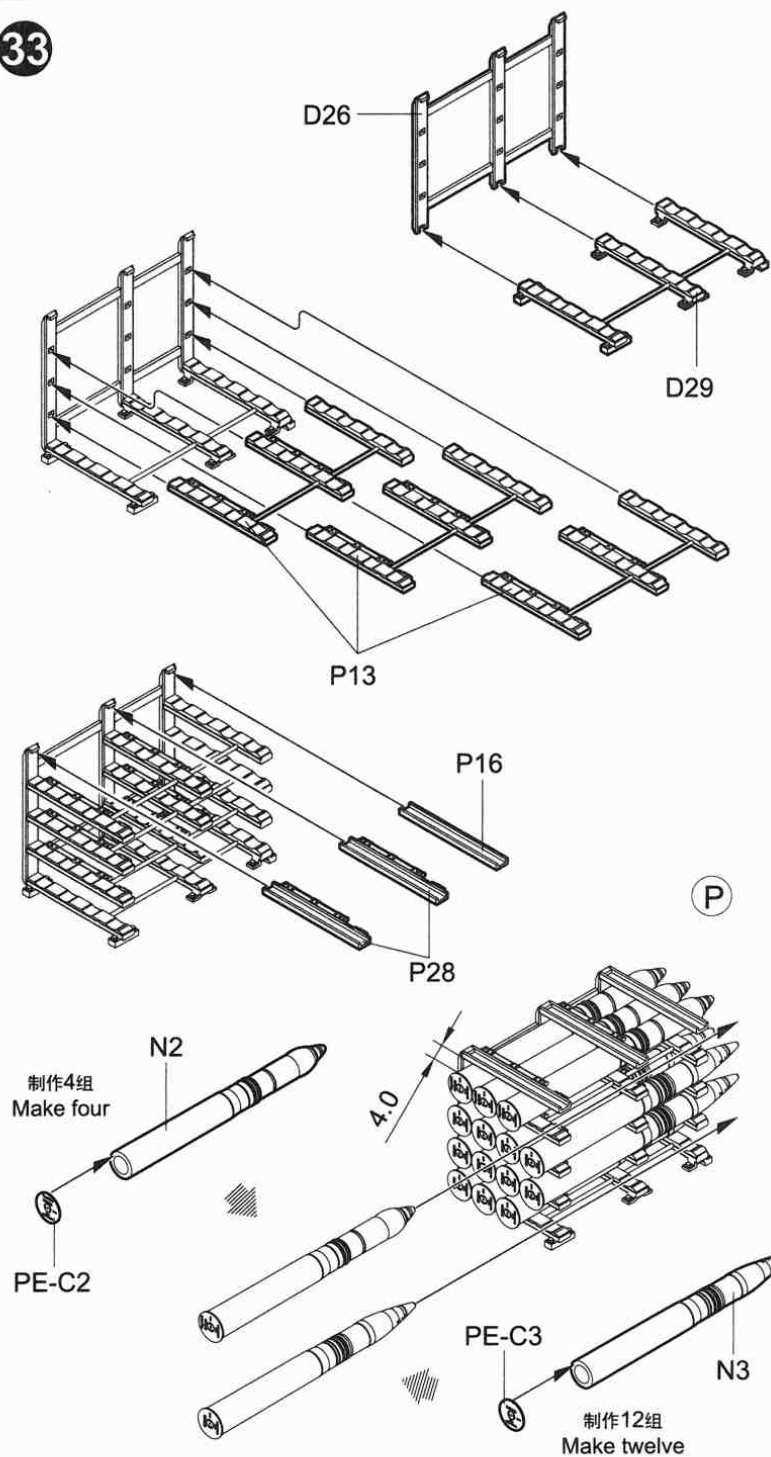
31



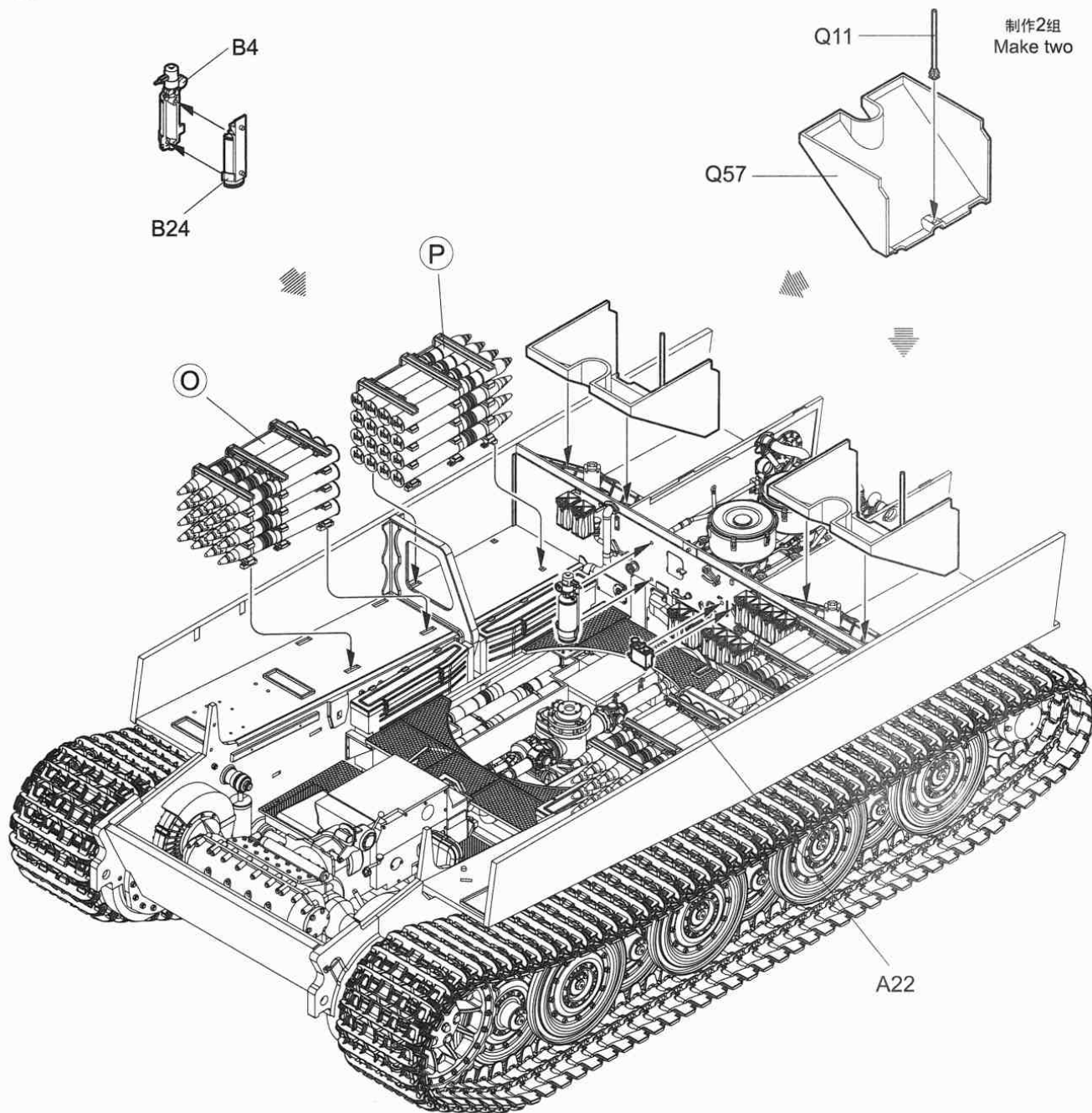
32



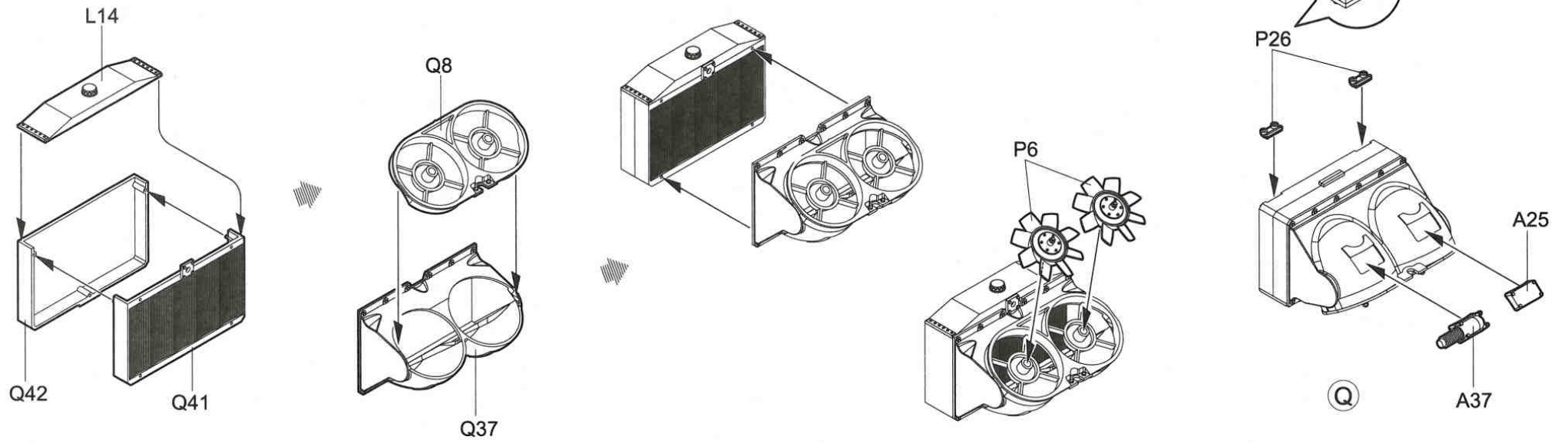
33



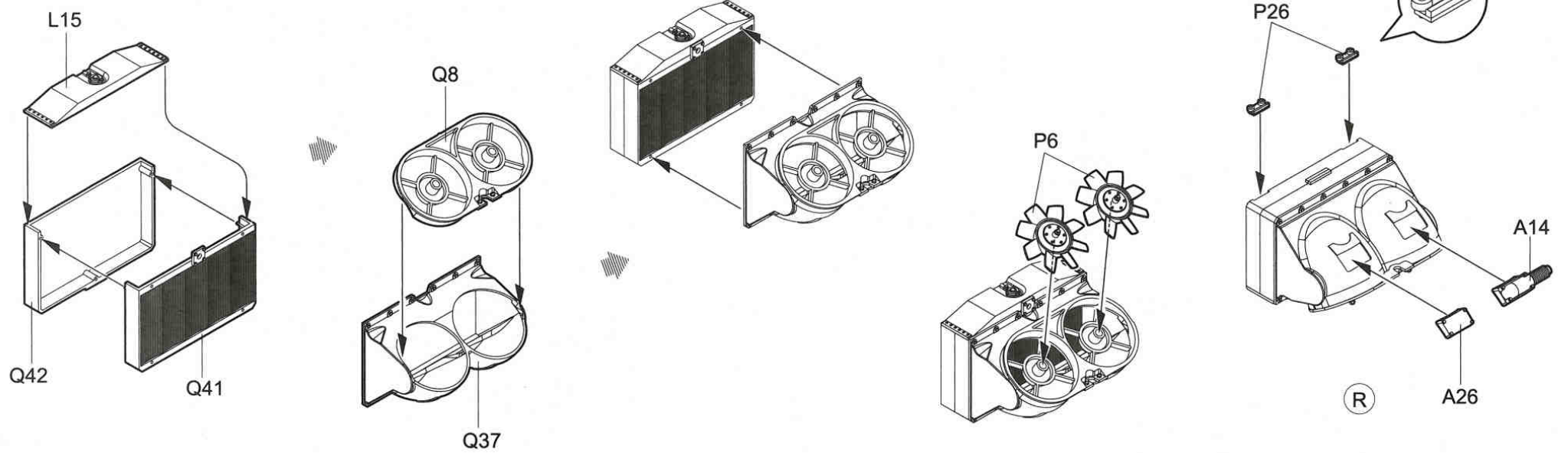
34



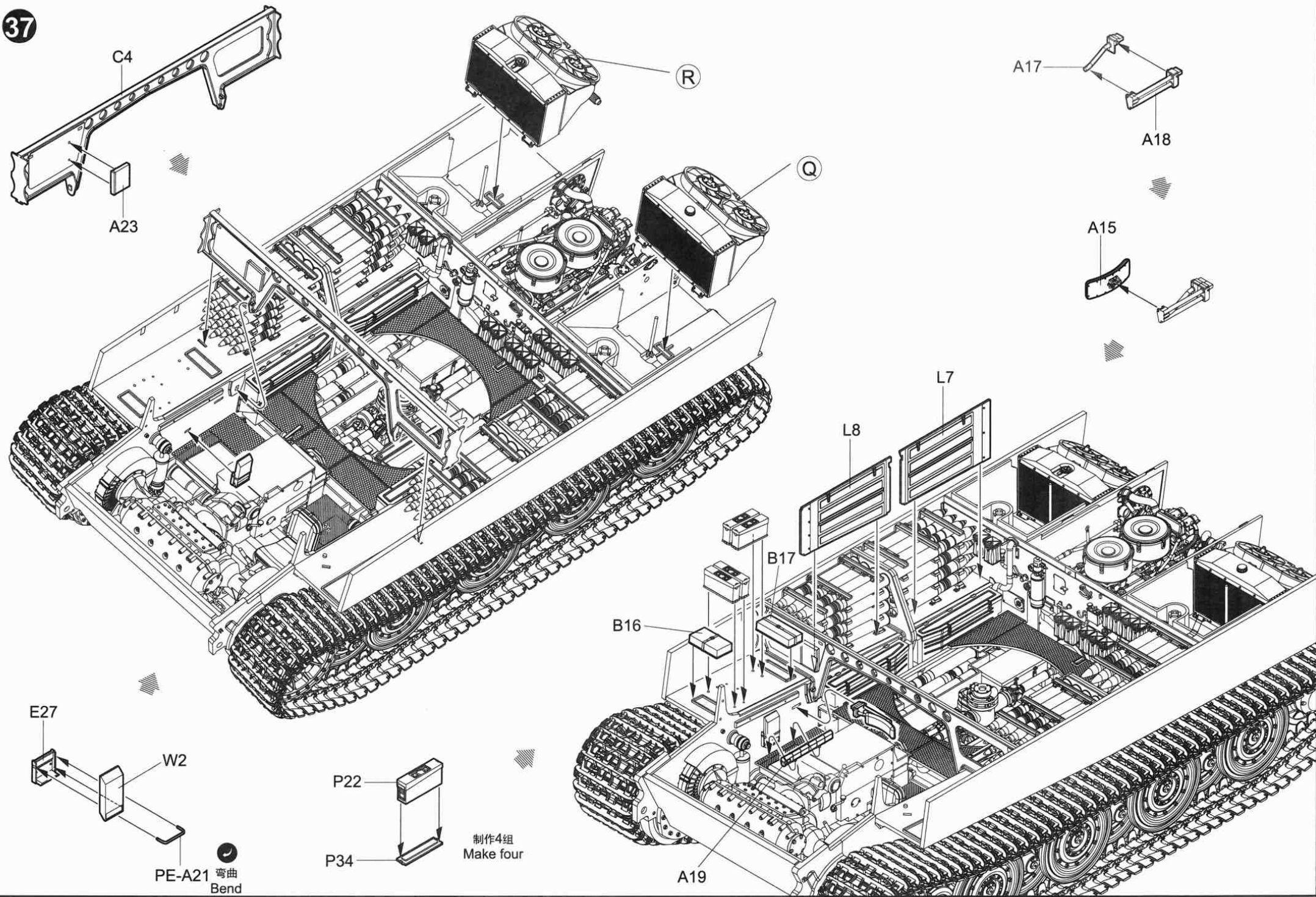
35



36



37



38

P14
制作6组
Make six
P21

PE-A3 弯曲
Bend

弯曲 PE-A6
Bend

Q62

C7
C6
B25

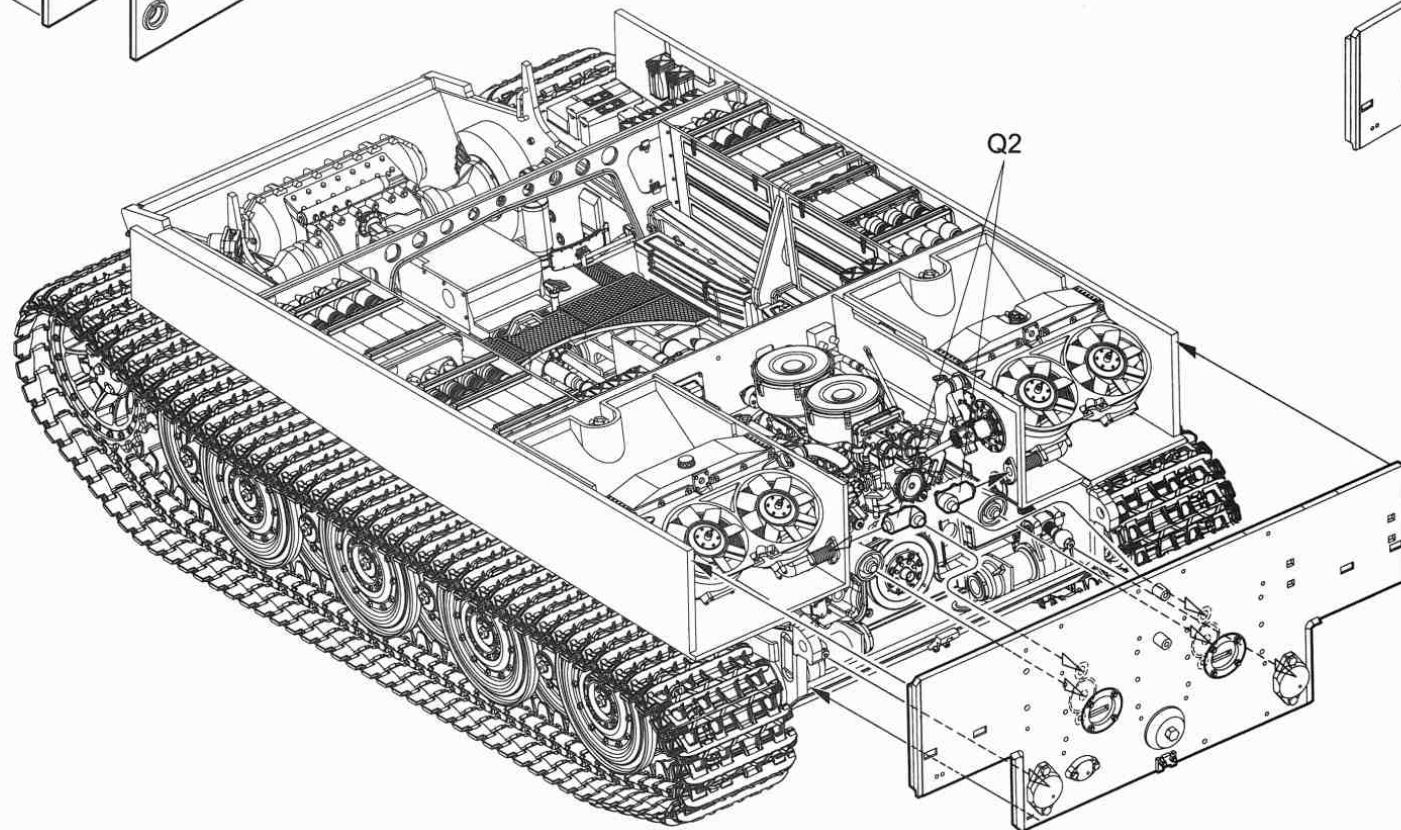
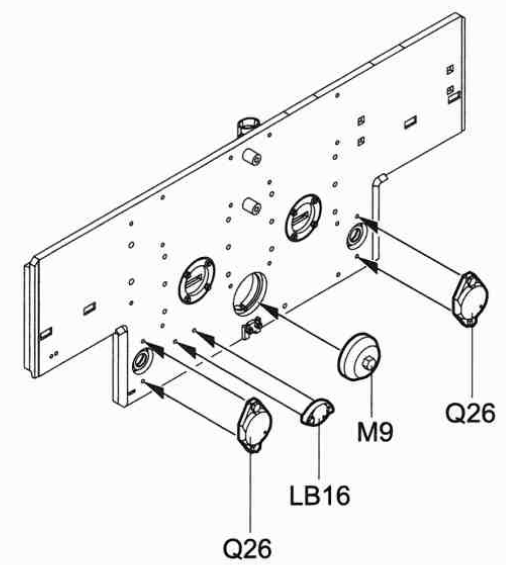
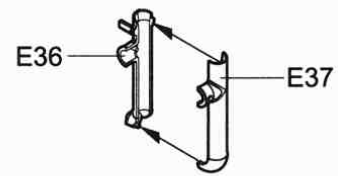
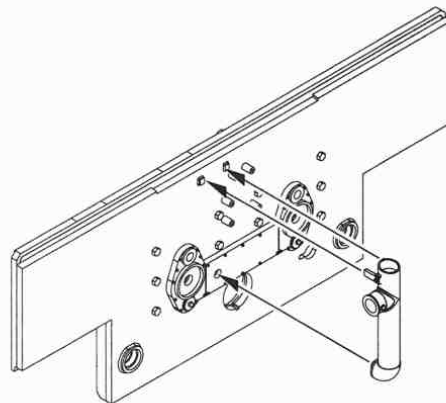
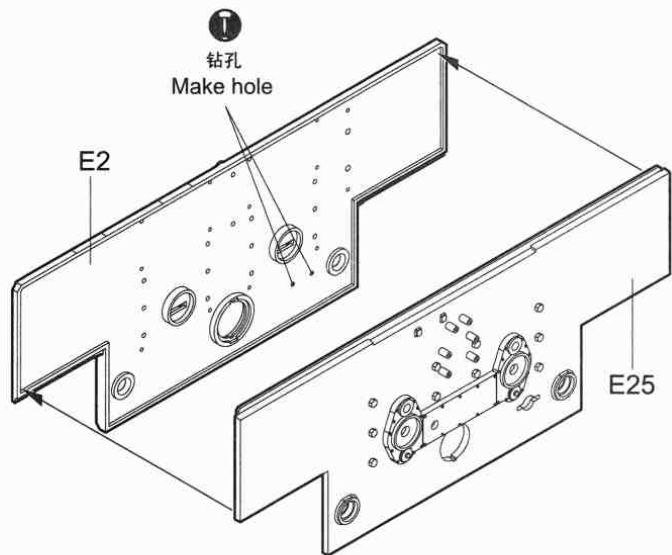
B9
B10

L9

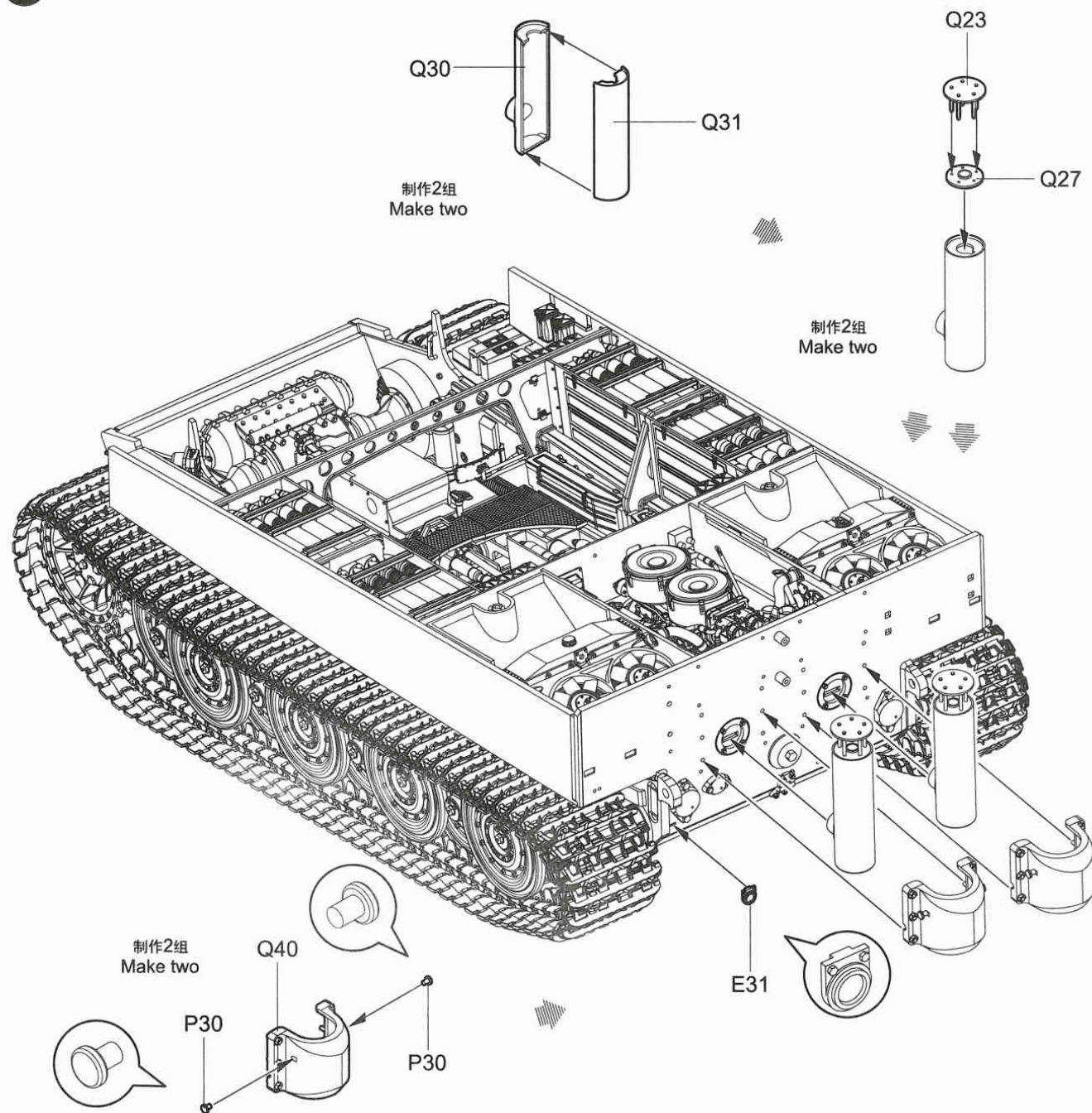
L6

B6

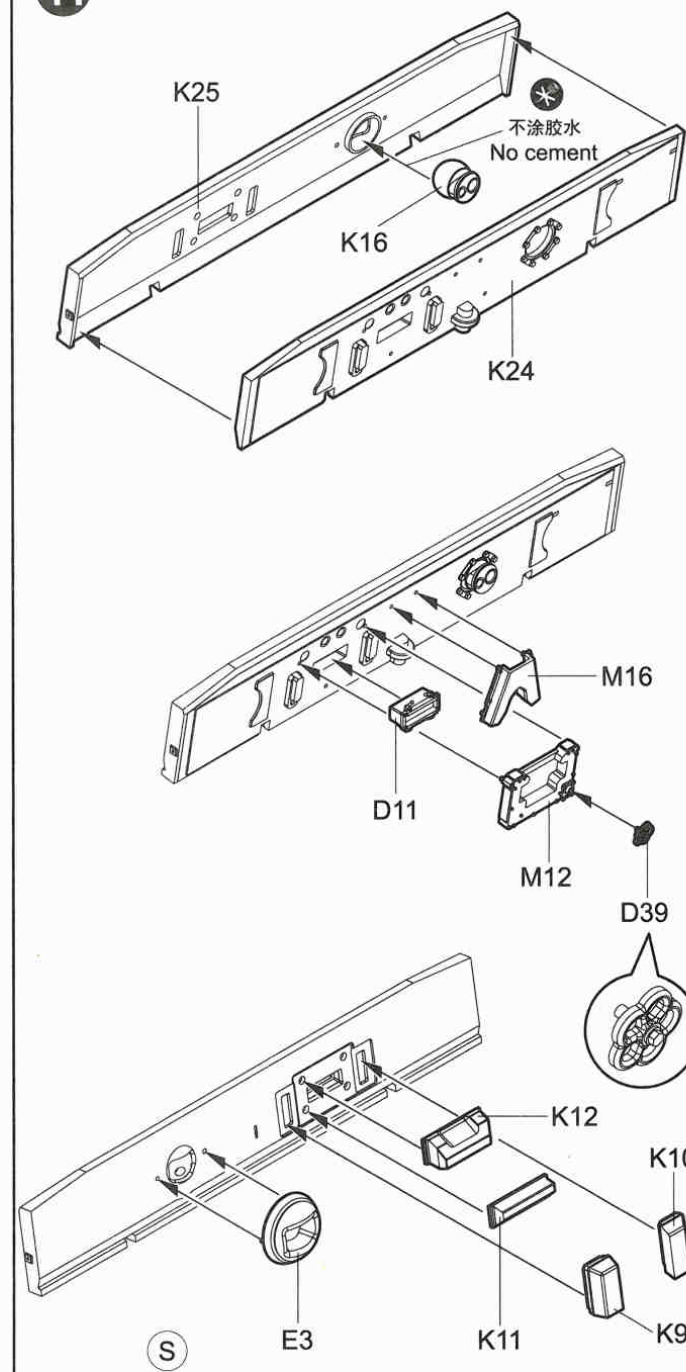
Q62

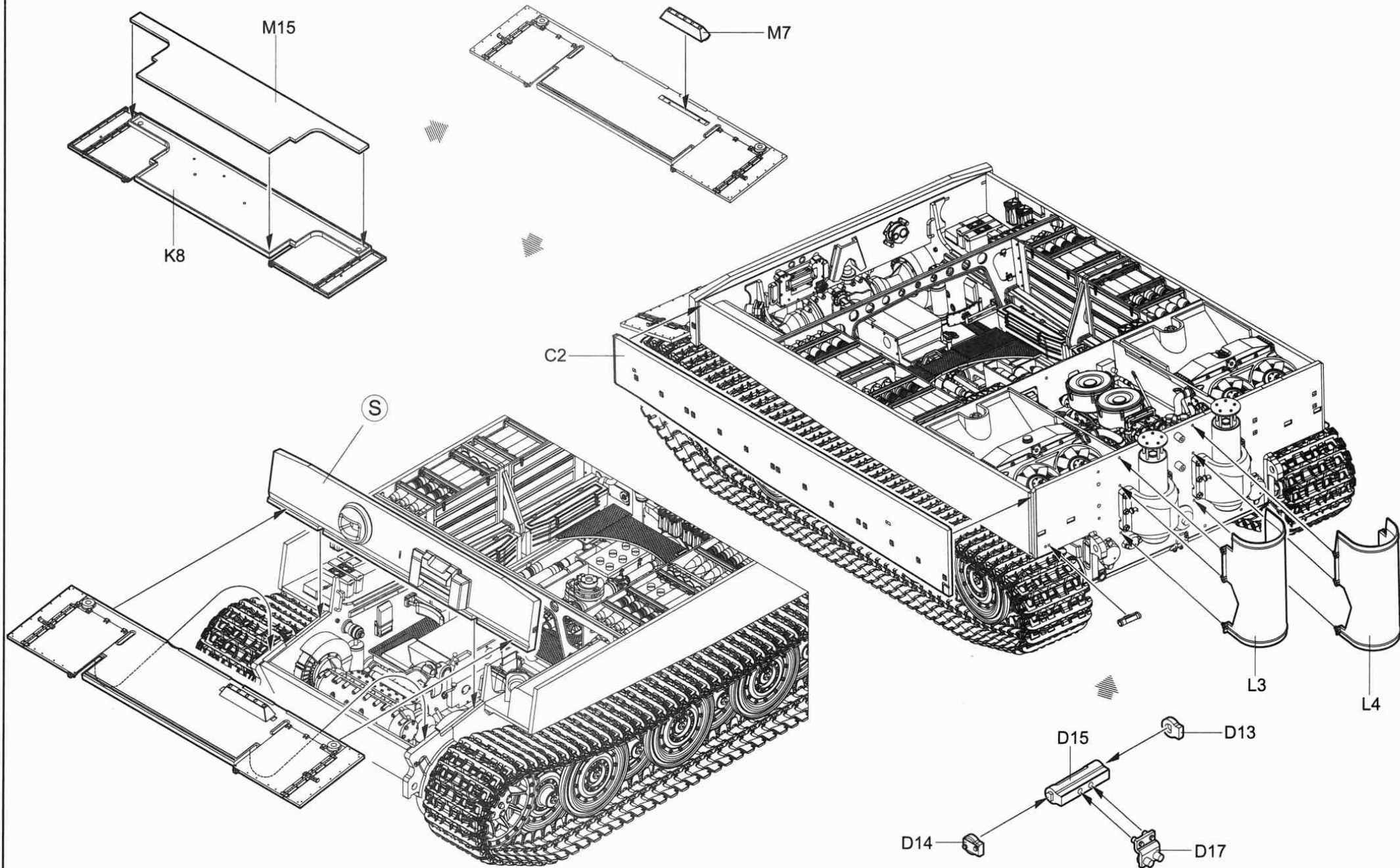


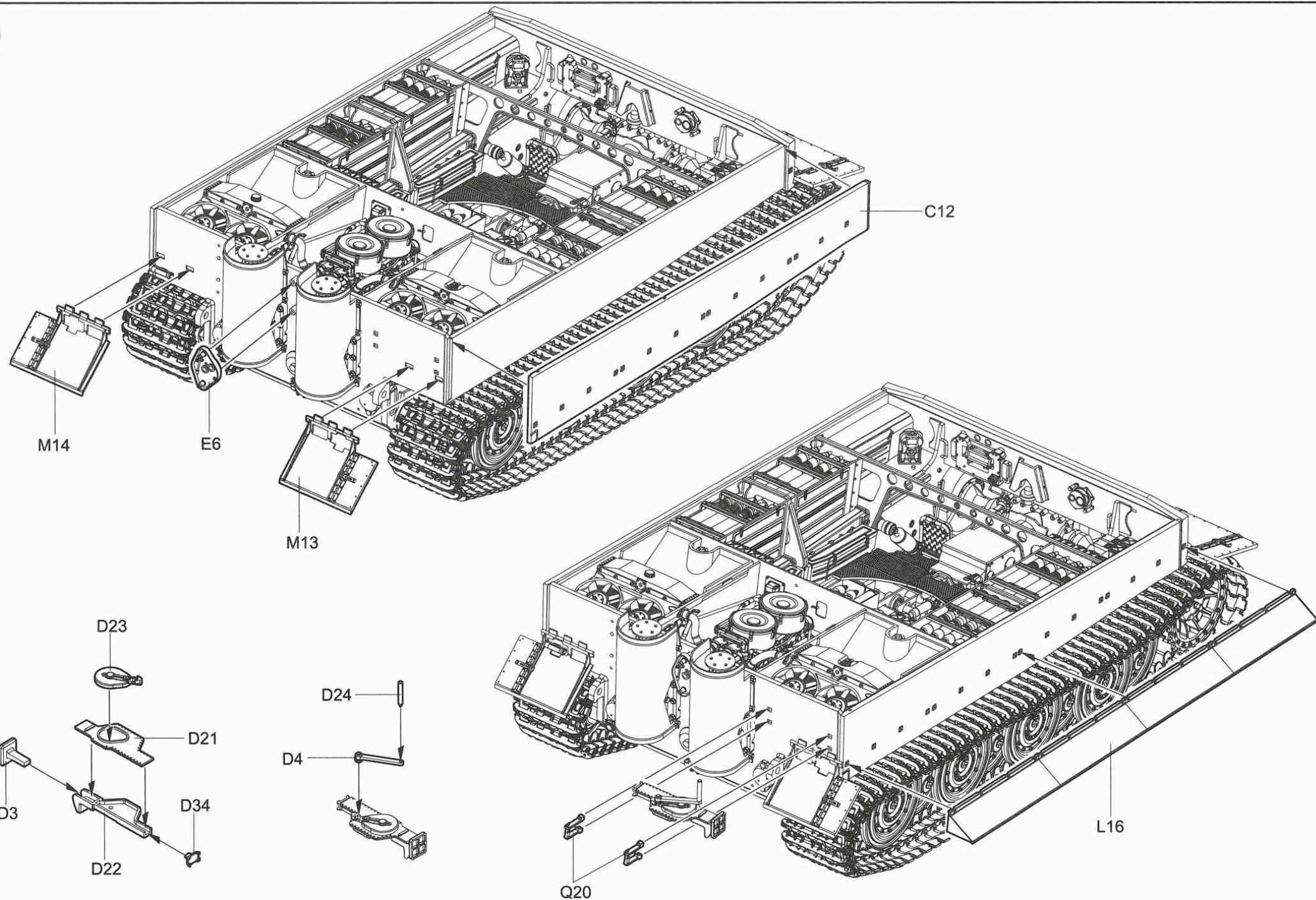
40



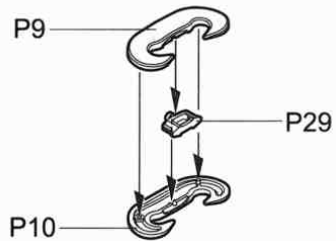
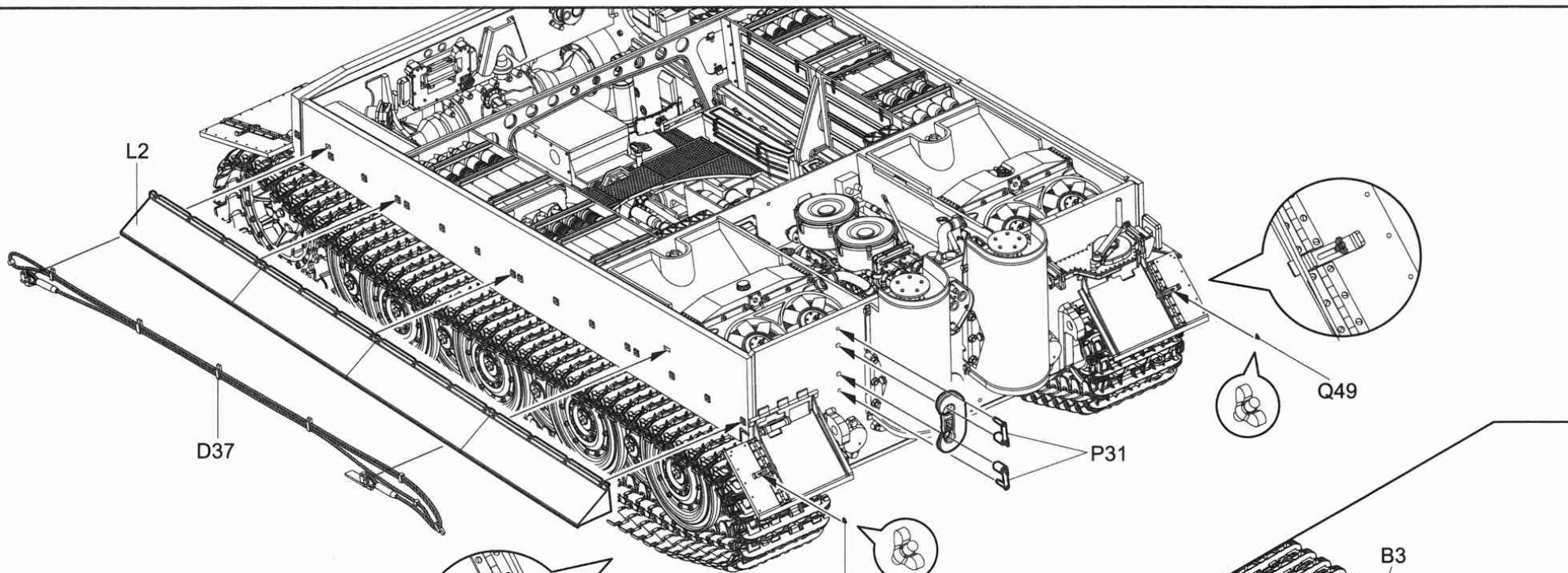
41



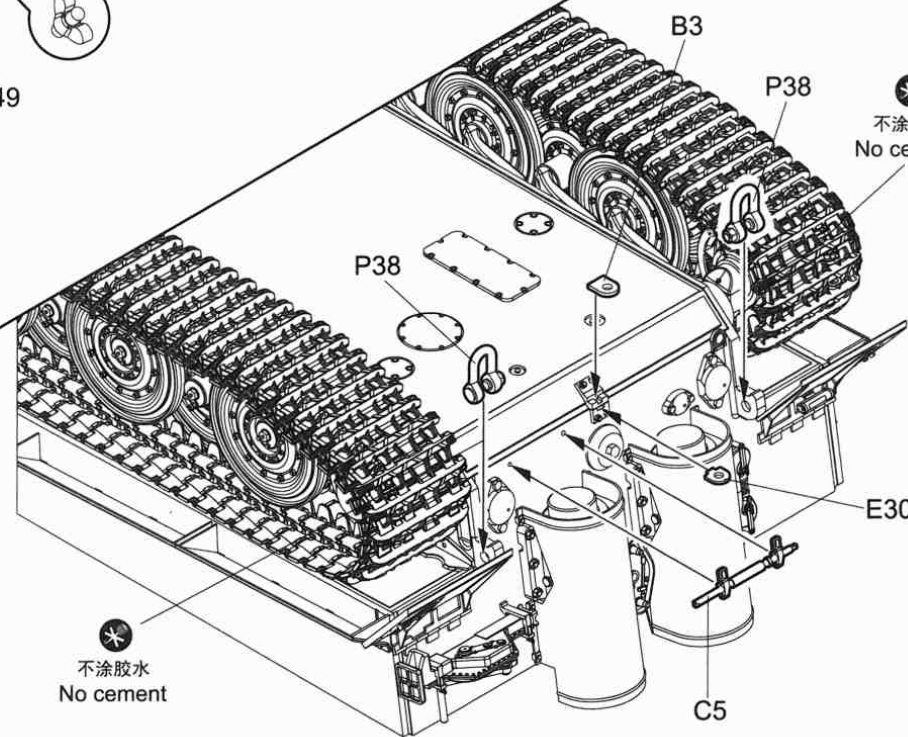




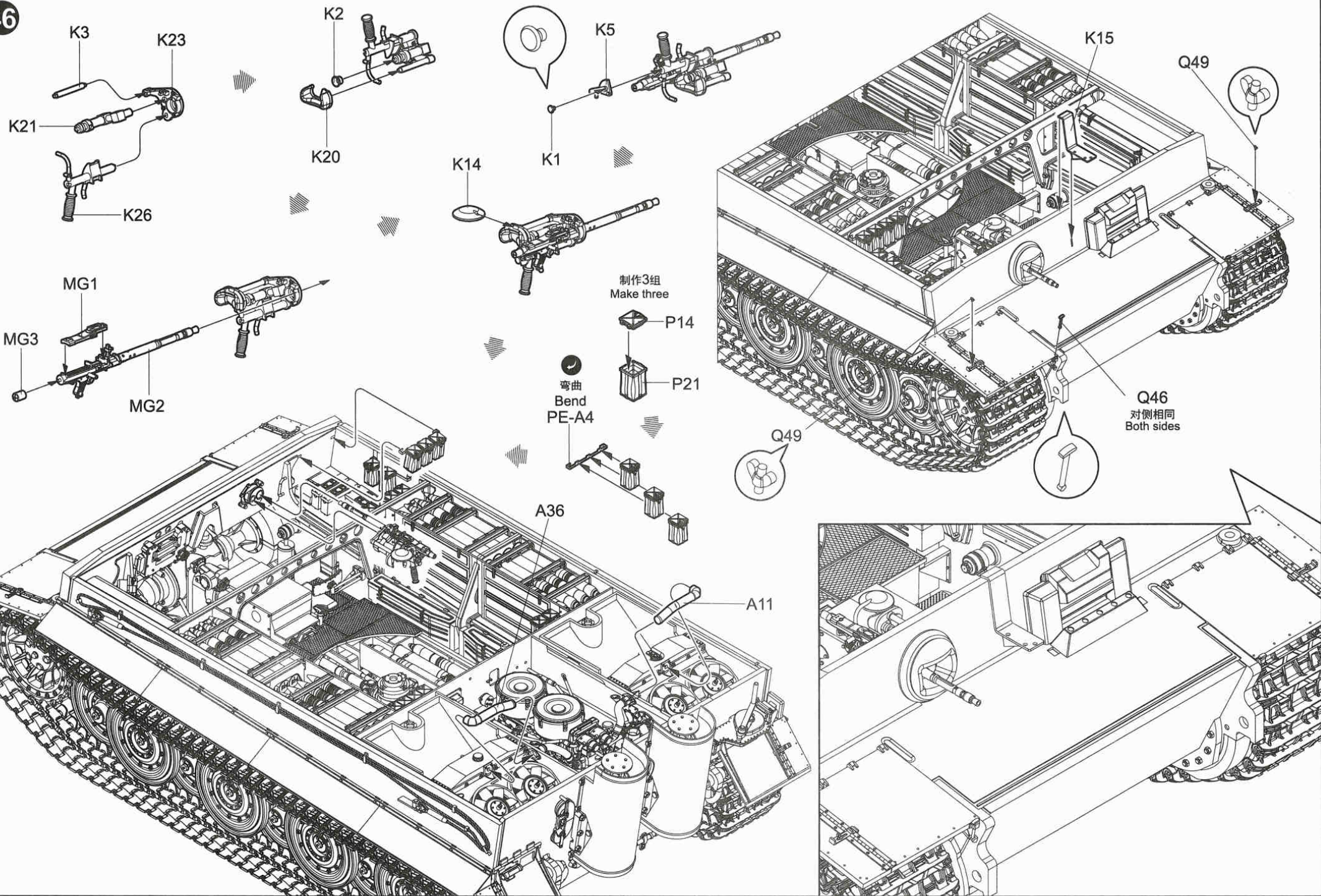
44

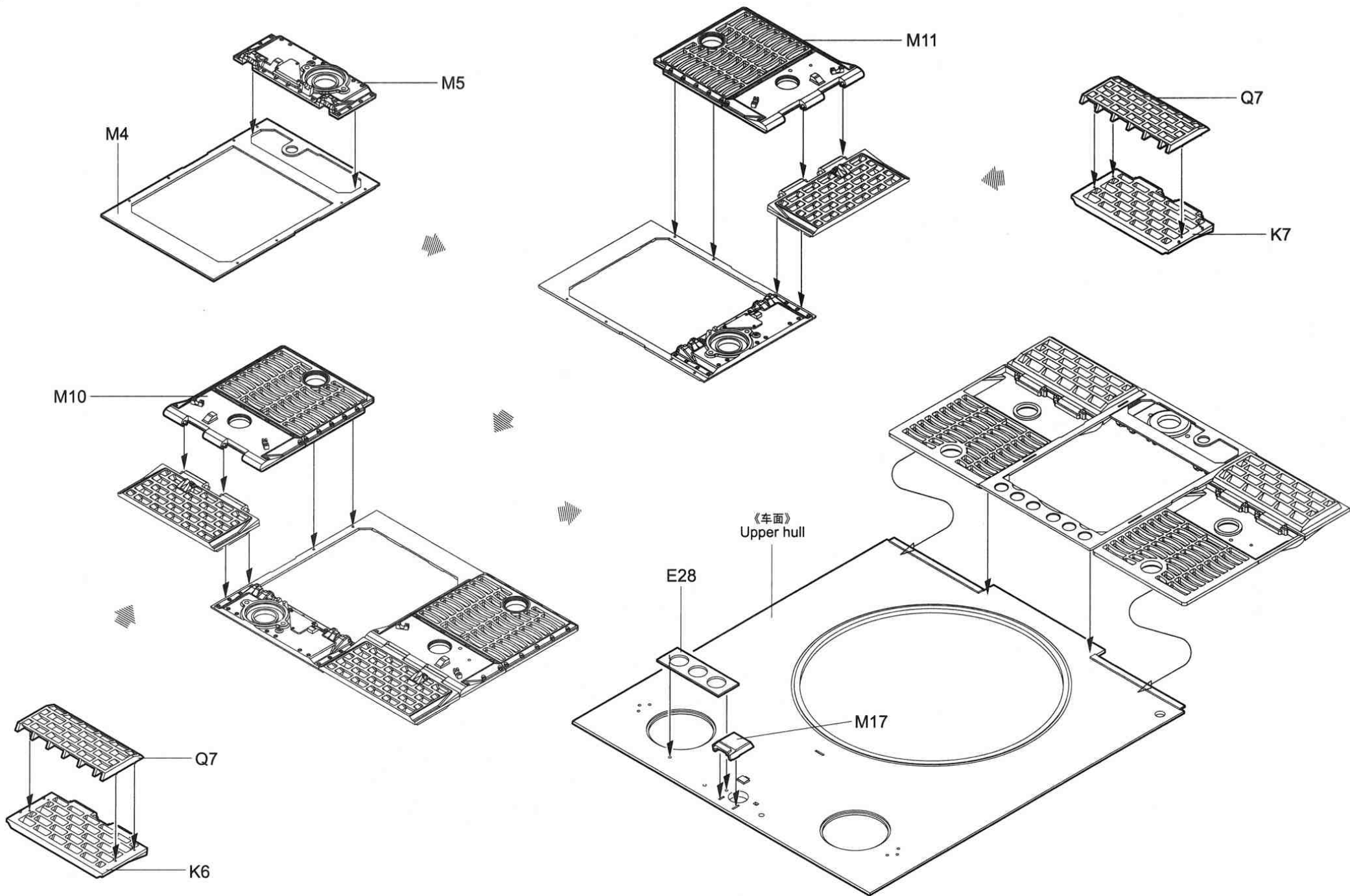


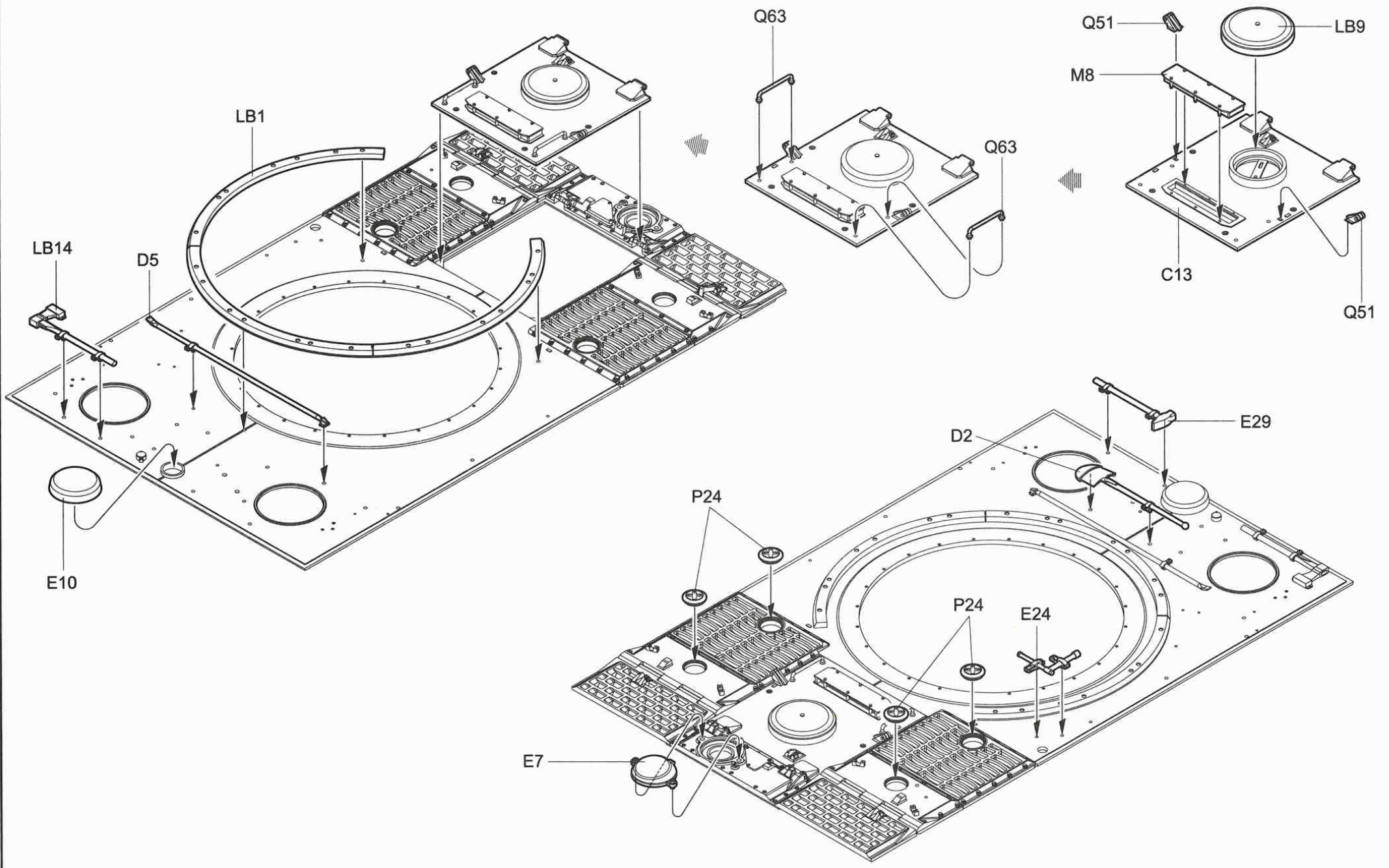
45

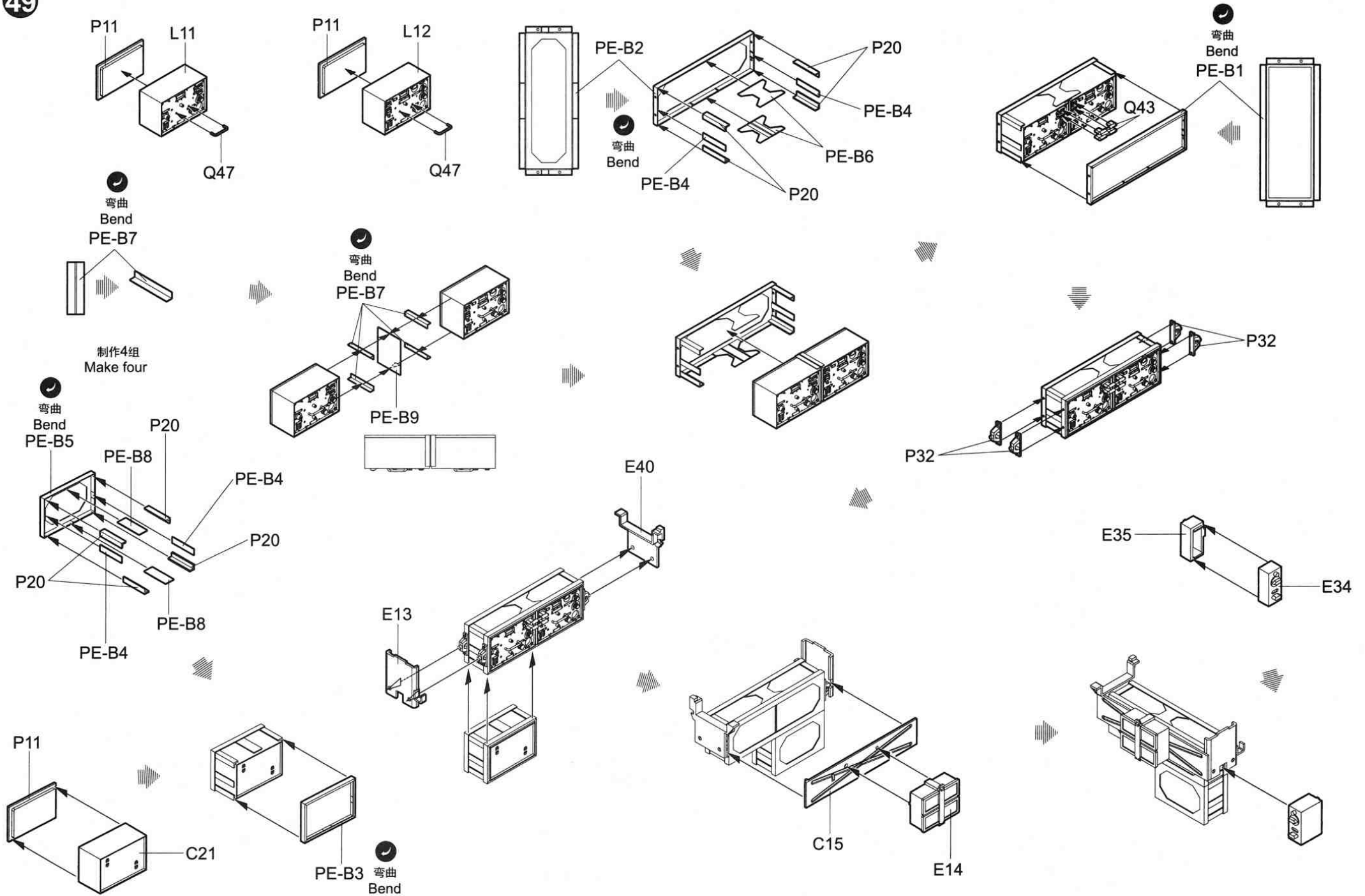


46

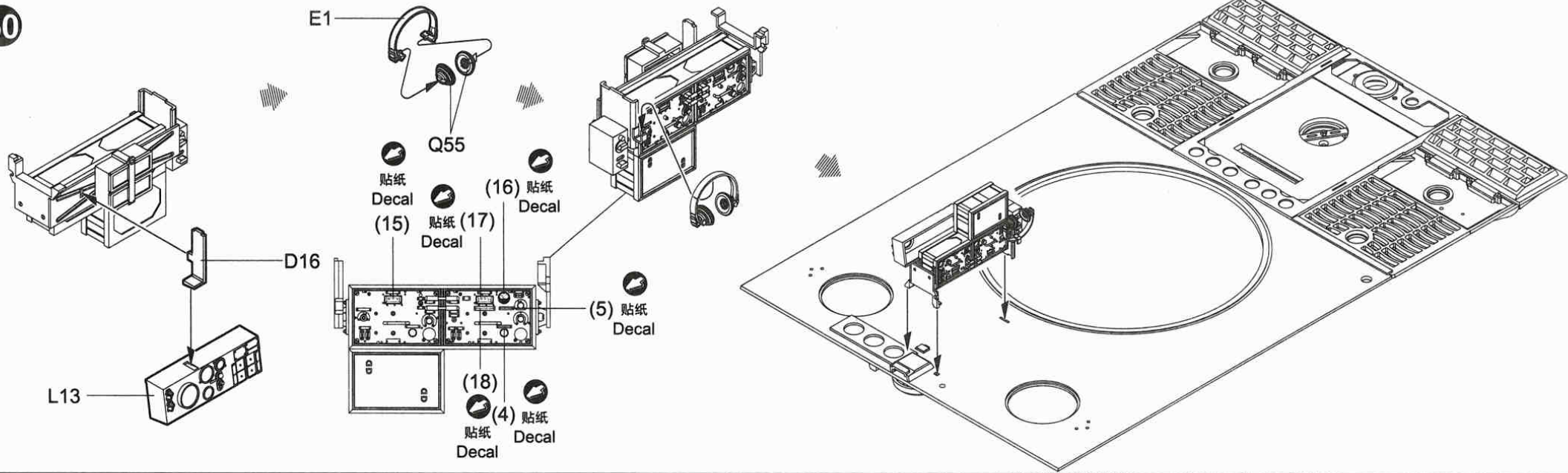




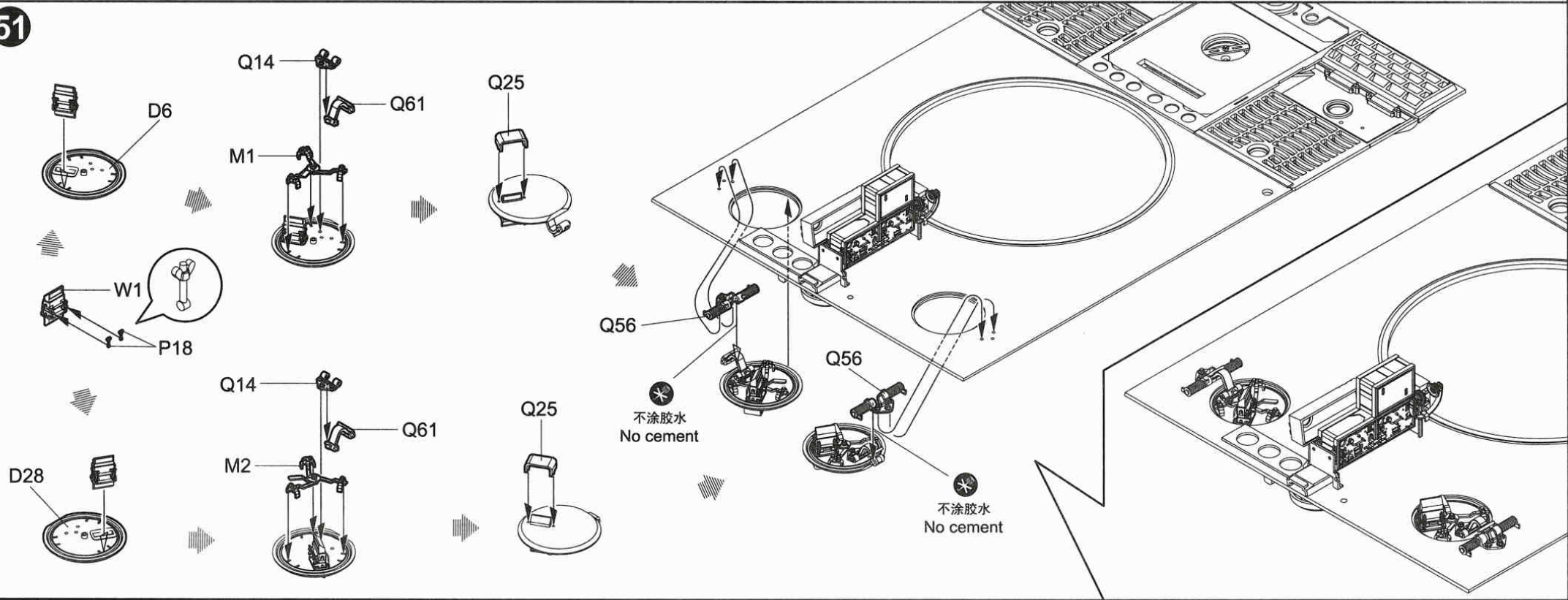




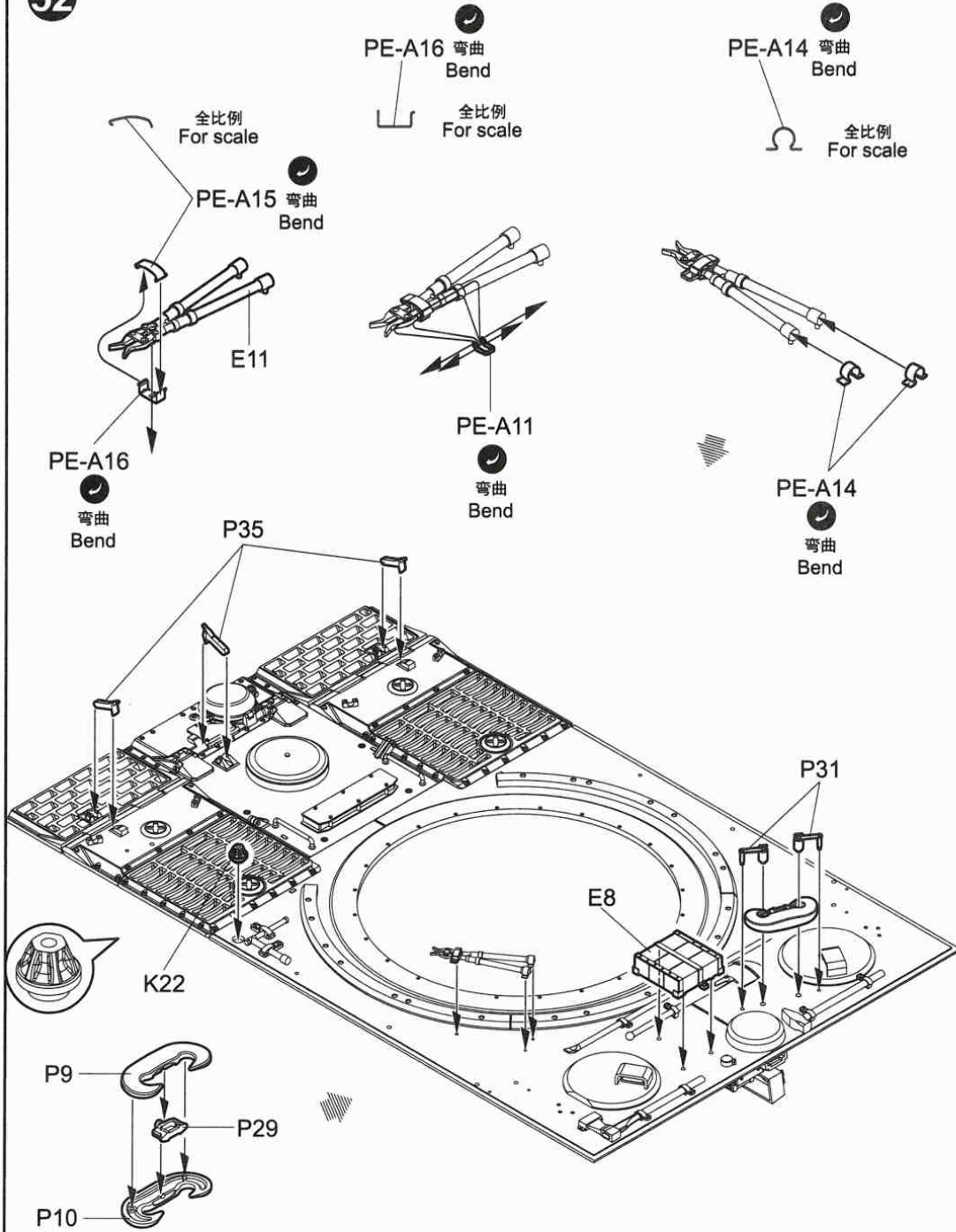
50



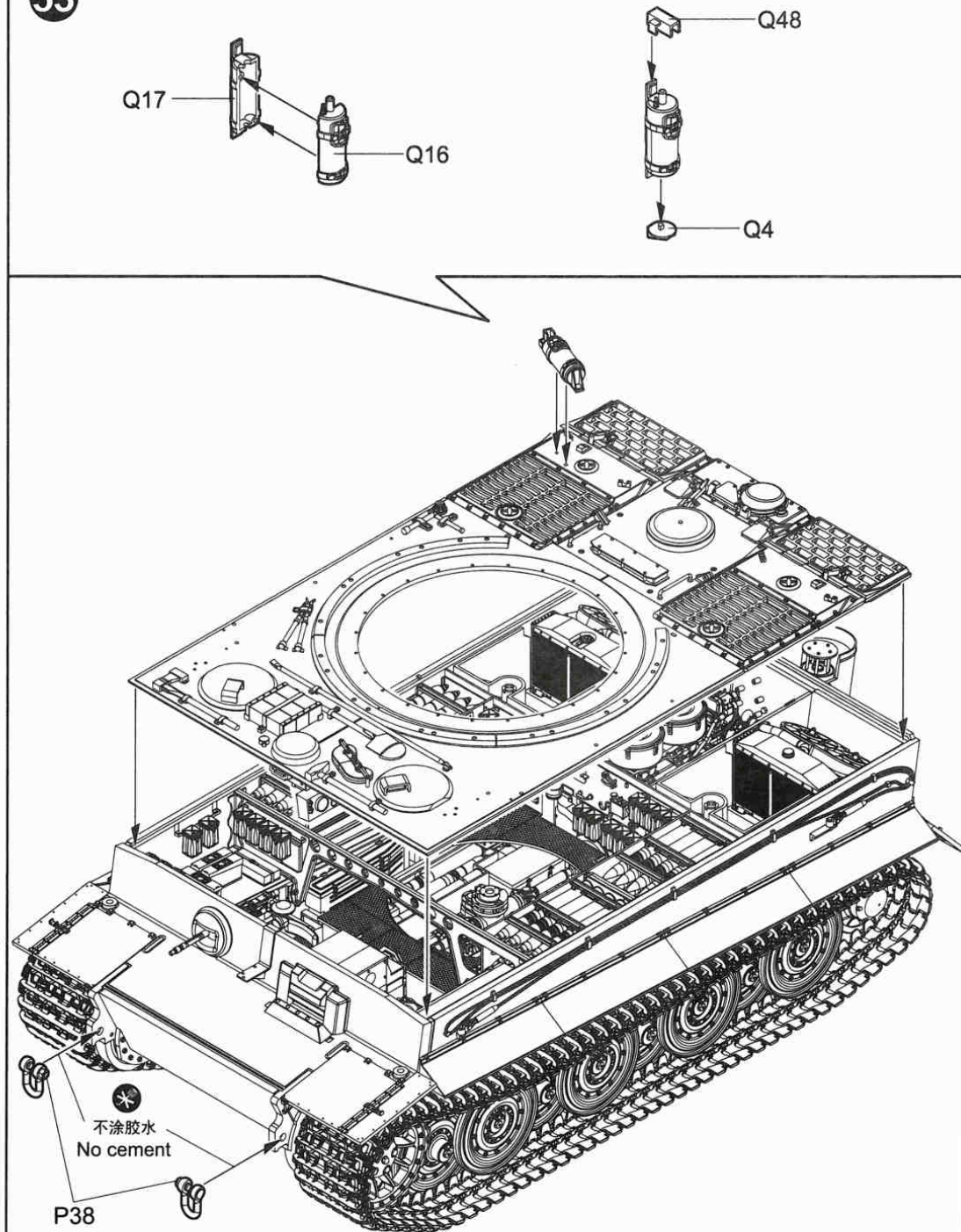
51



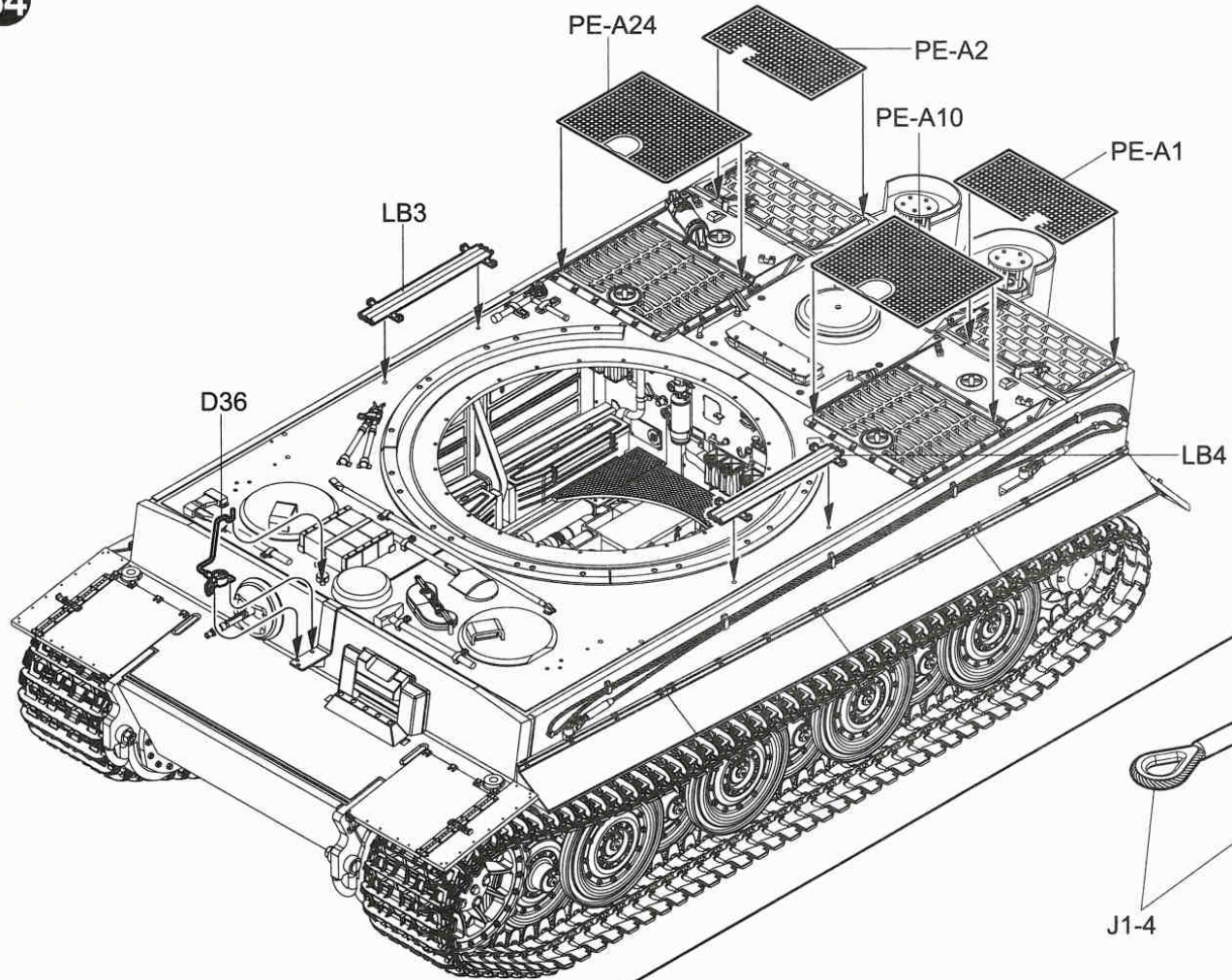
52



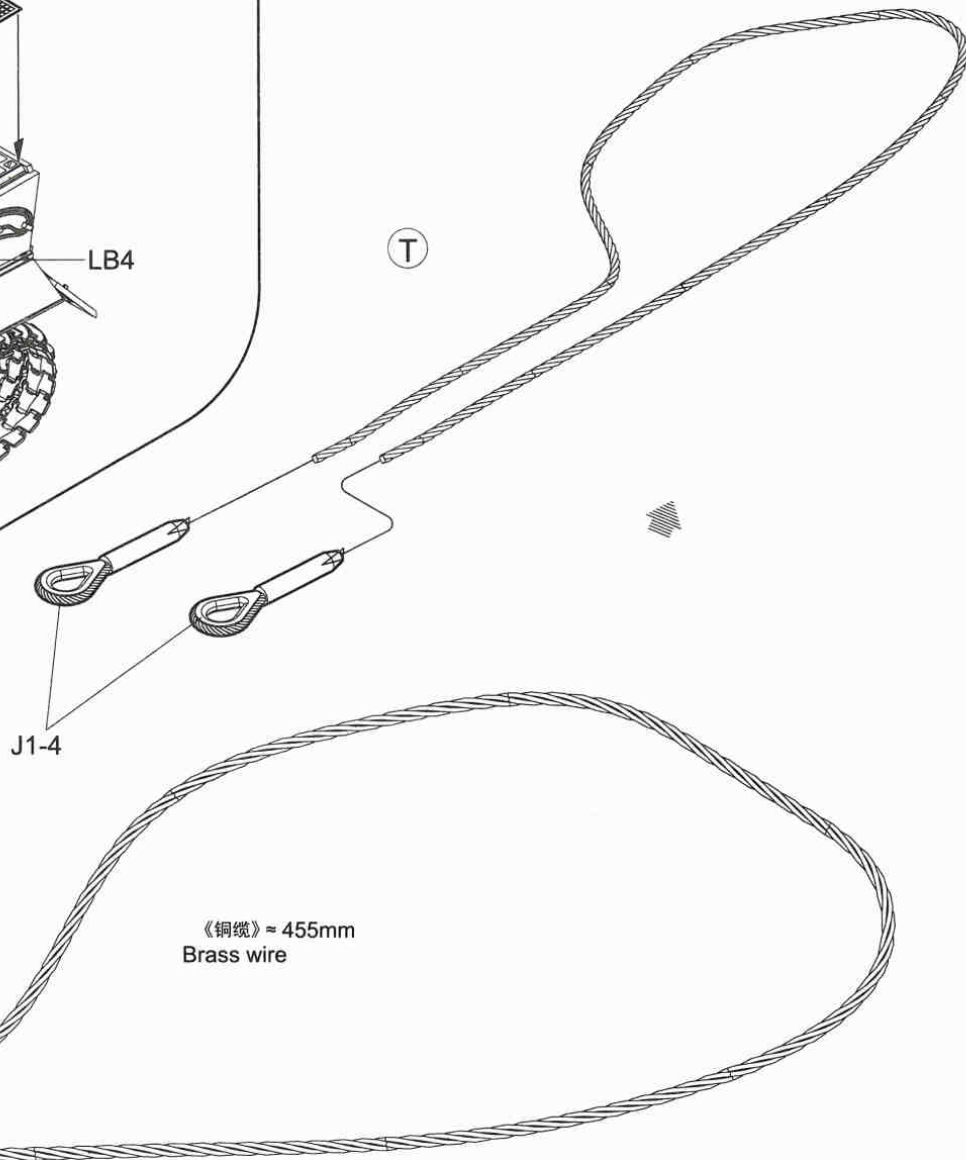
53



54

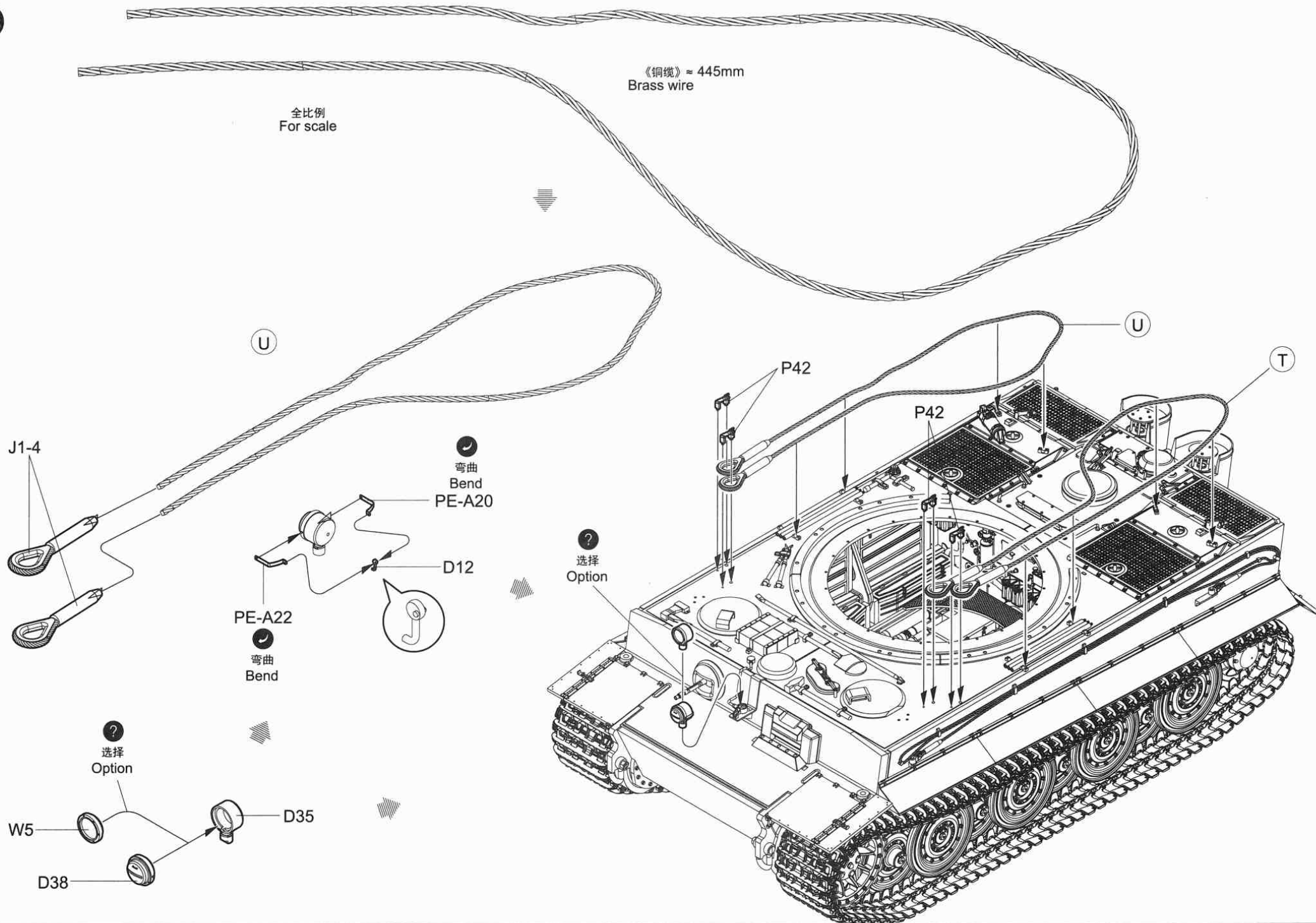


55

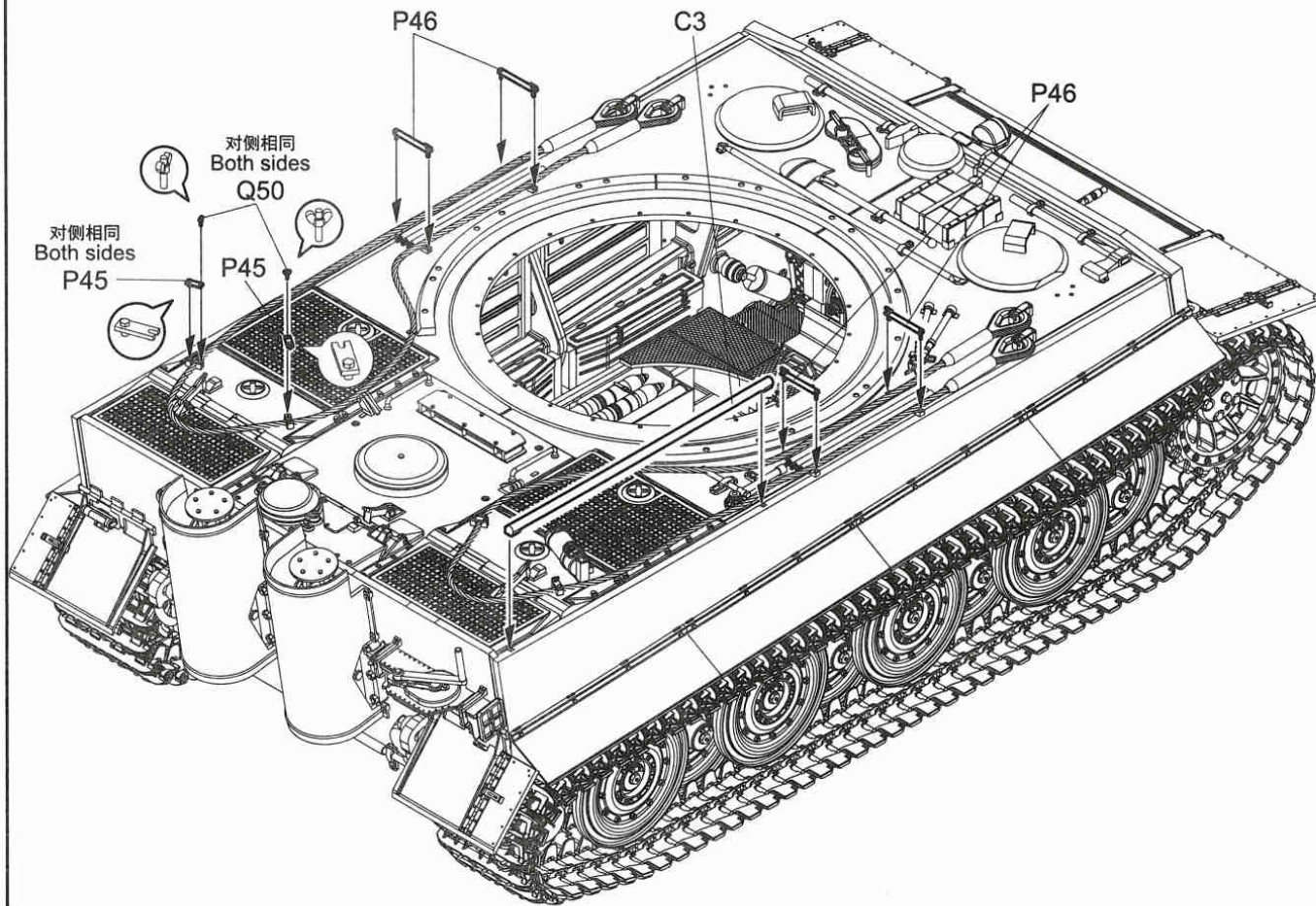


全比例
For scale

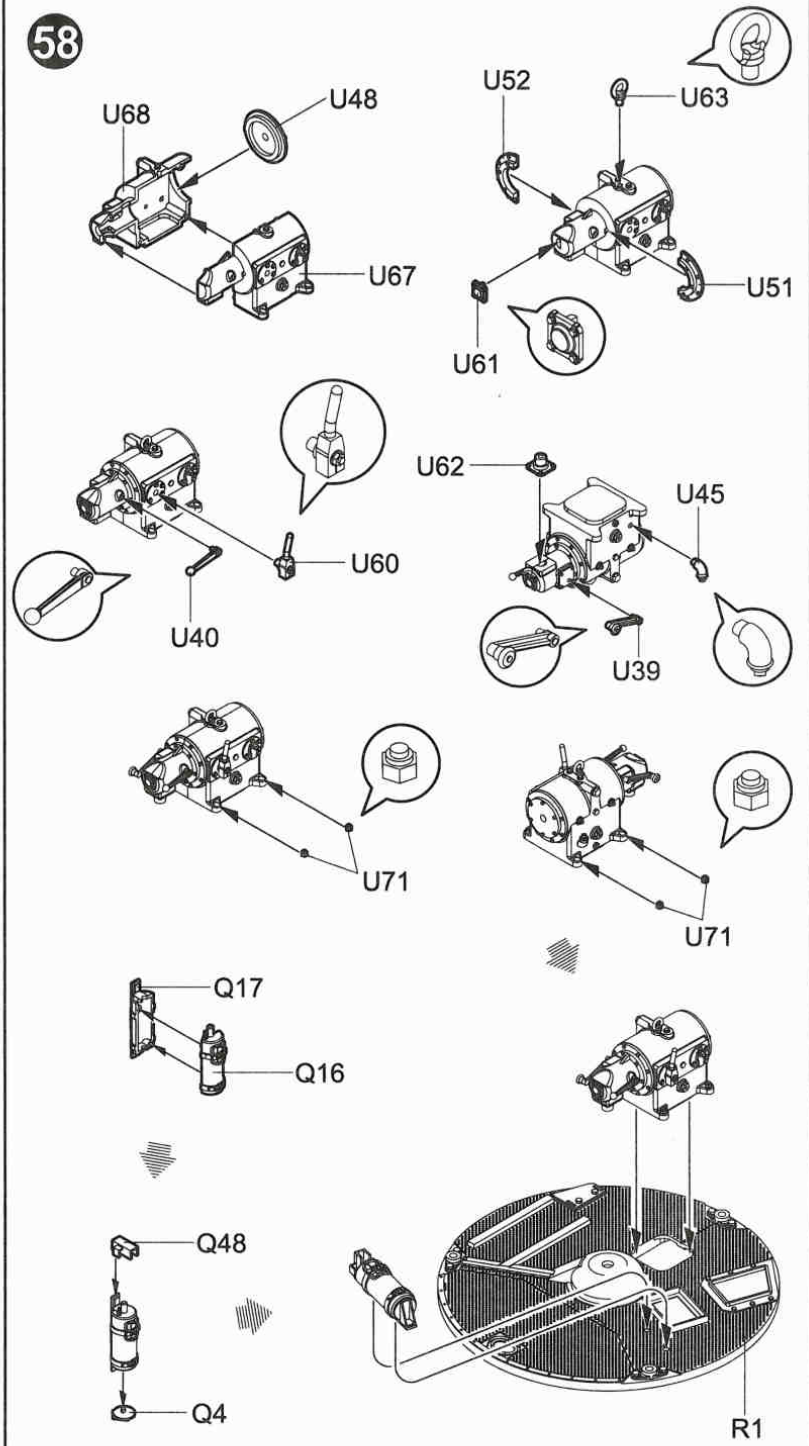
《铜缆》= 455mm
Brass wire



57

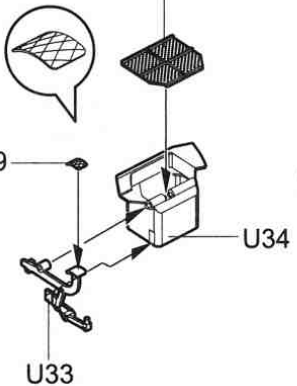


58

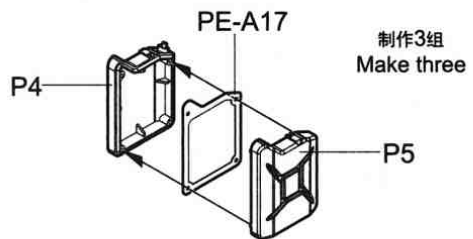
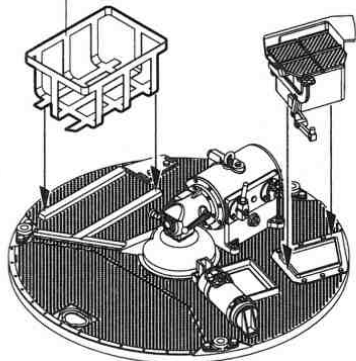


59

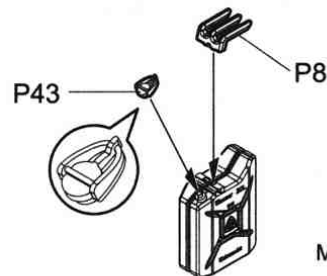
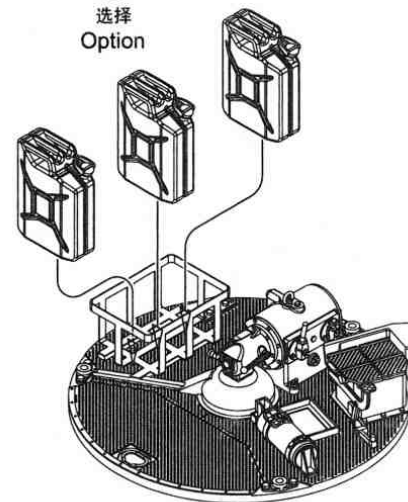
弯曲
Bend
PE-A9



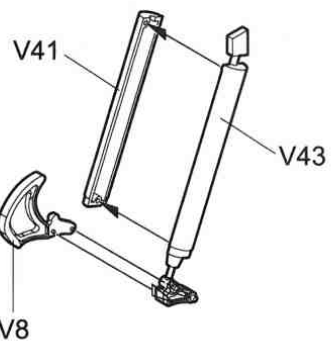
弯曲
Bend
PE-A7



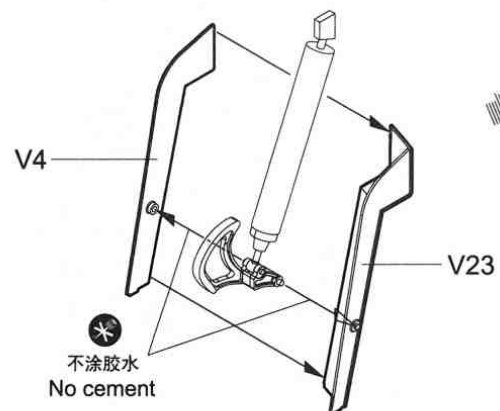
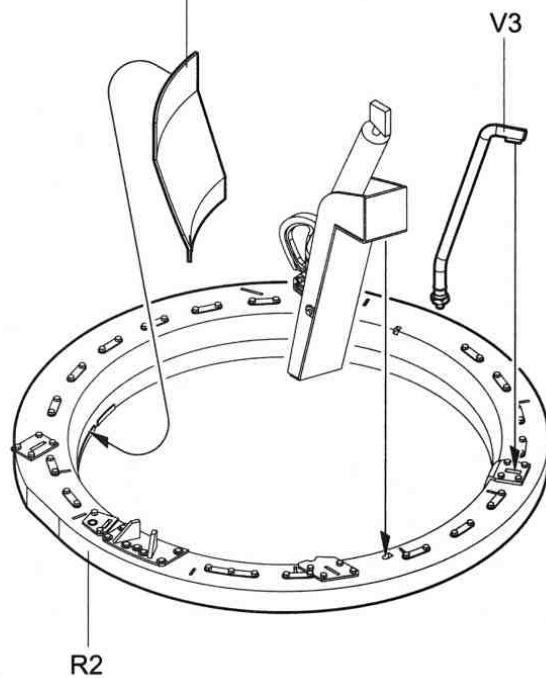
选择
Option



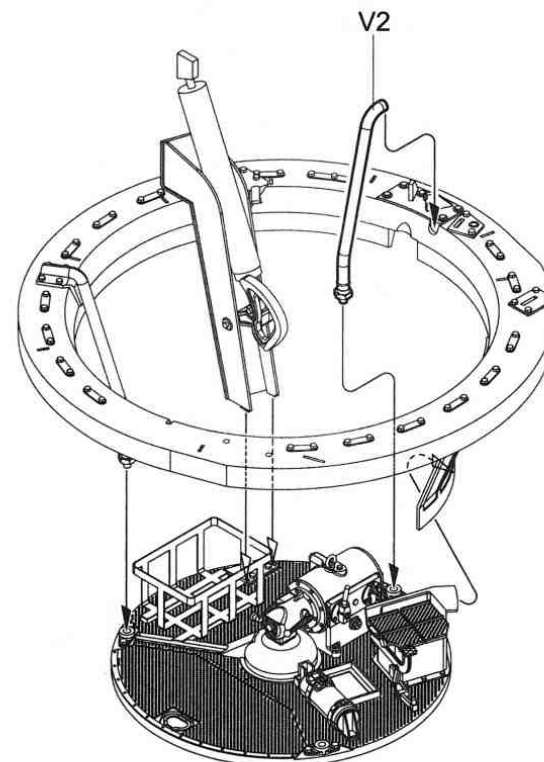
制作3组
Make three

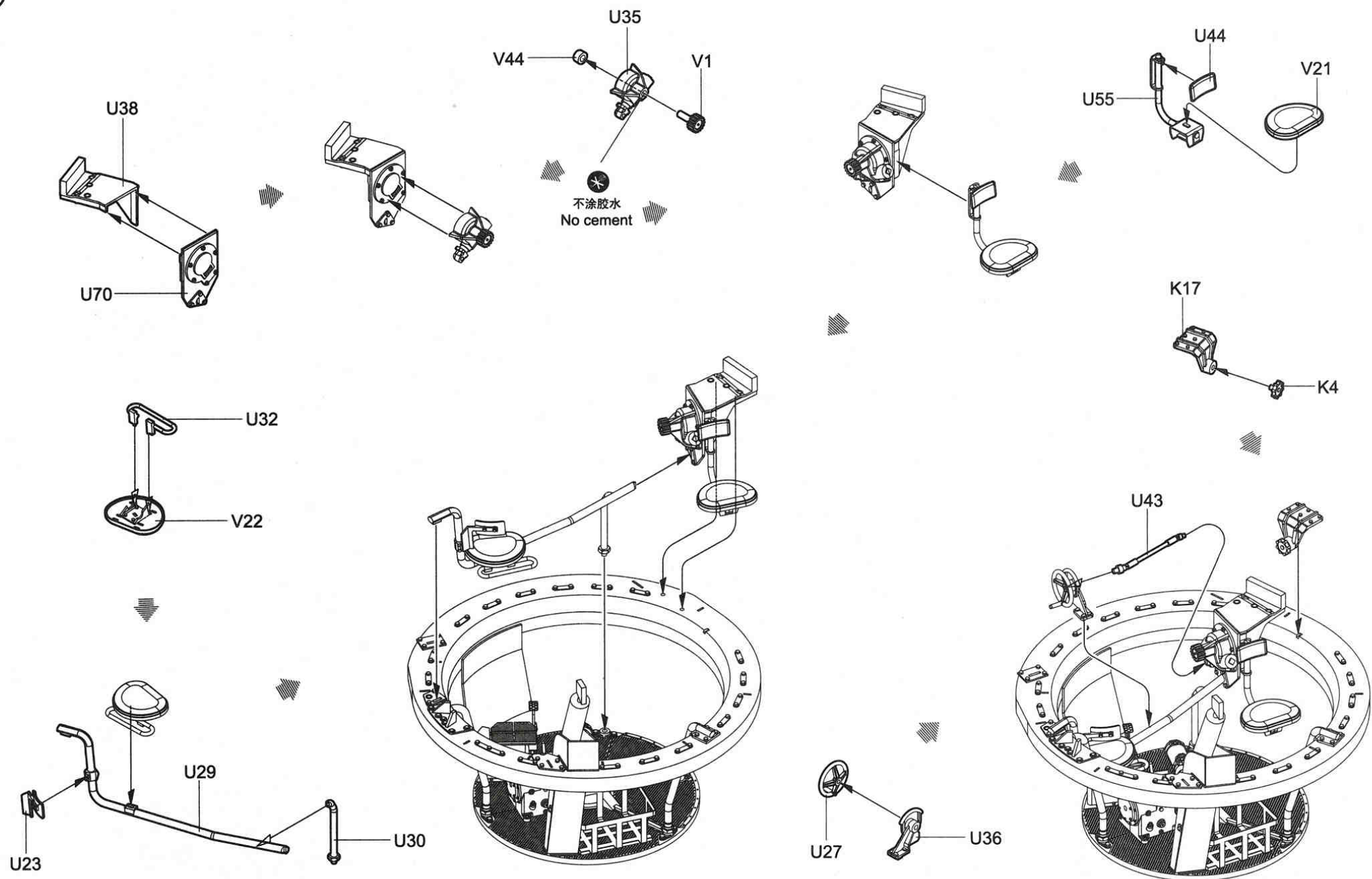


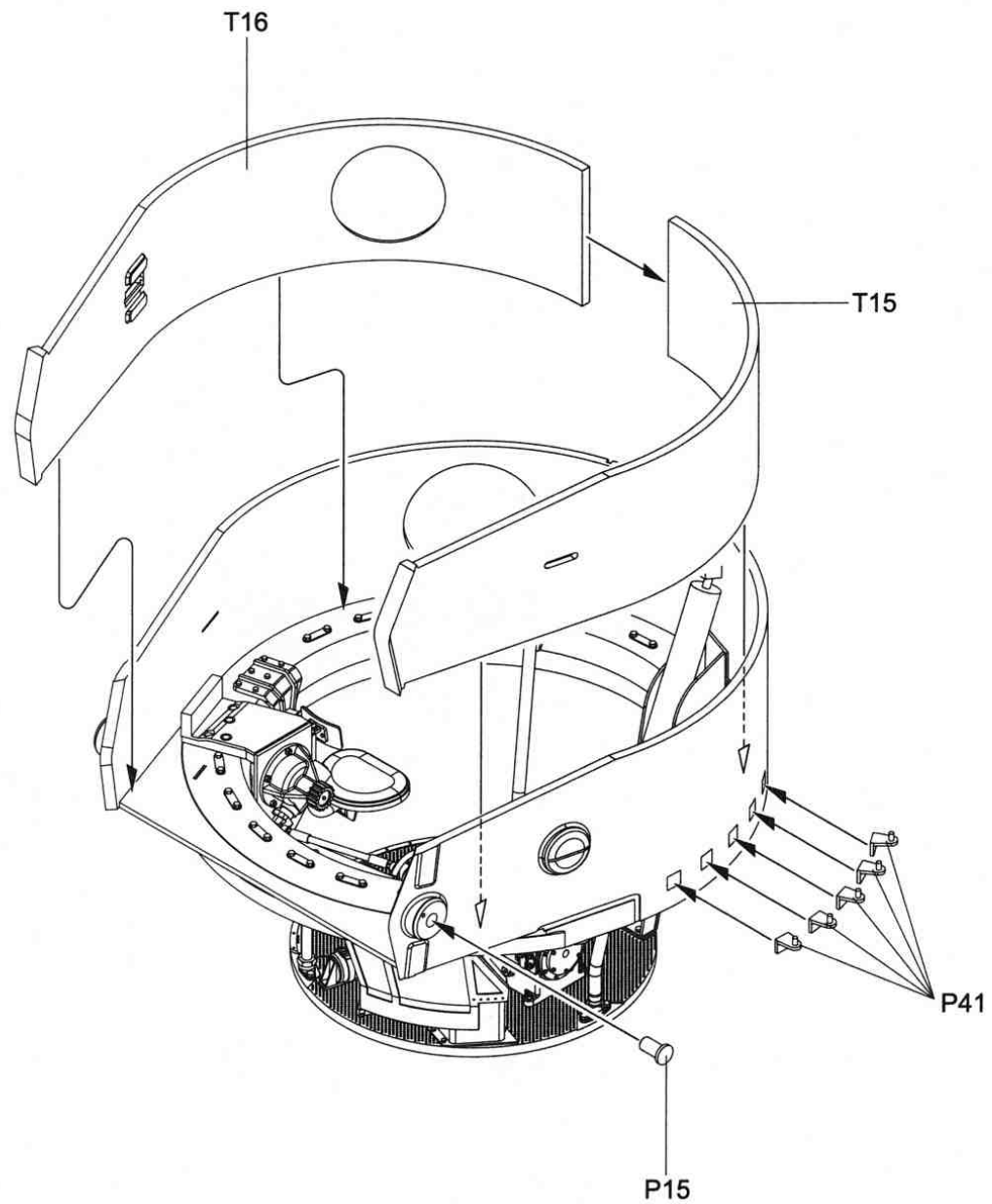
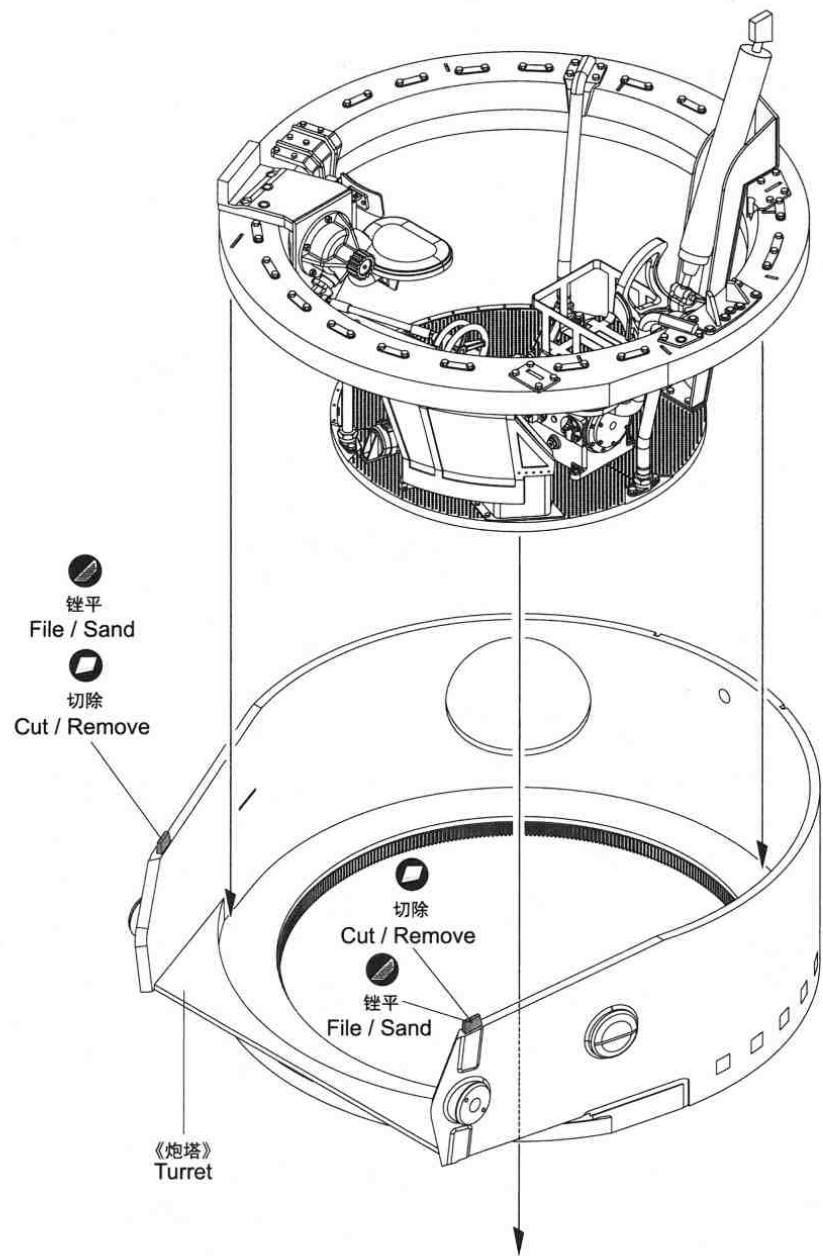
V18



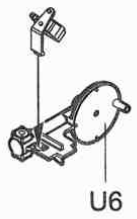
V2



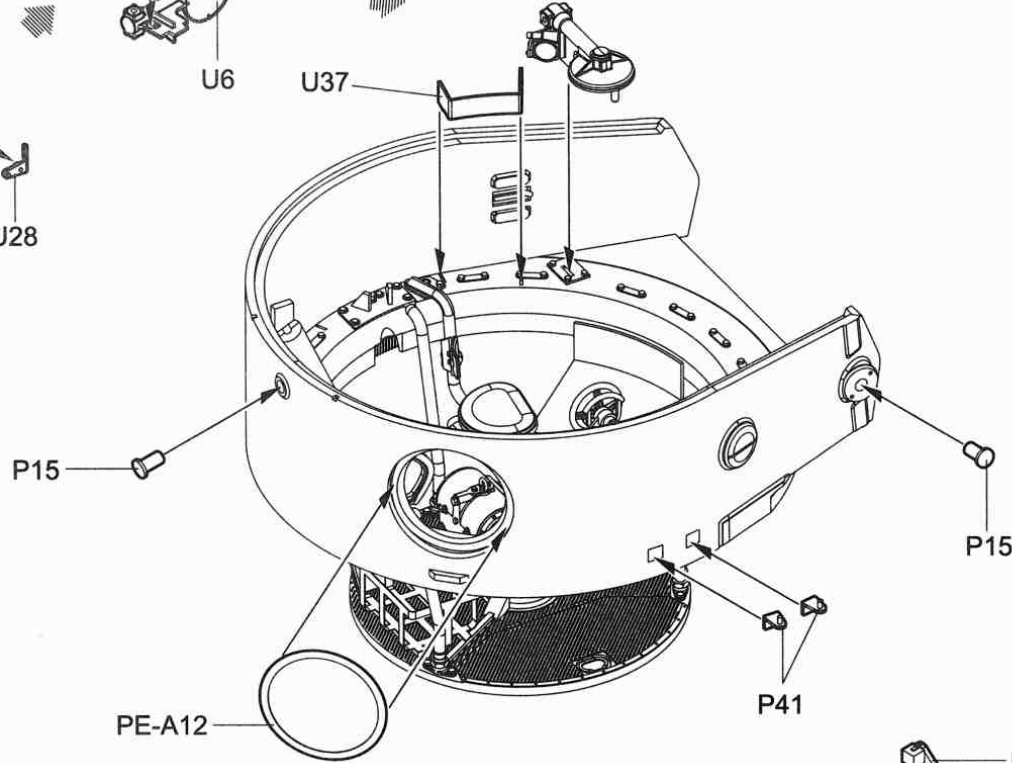




贴纸
Decal
(8)
V6
U28



U37

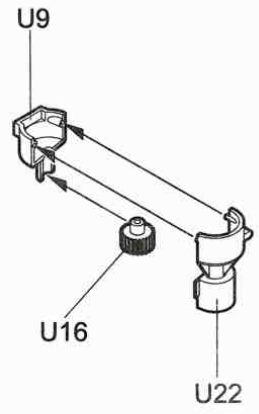


P15

P15

PE-A12

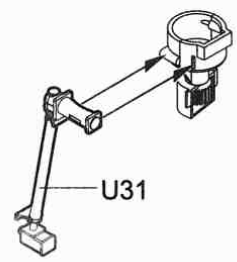
P41



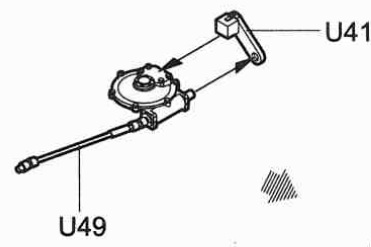
U9

U16

U22

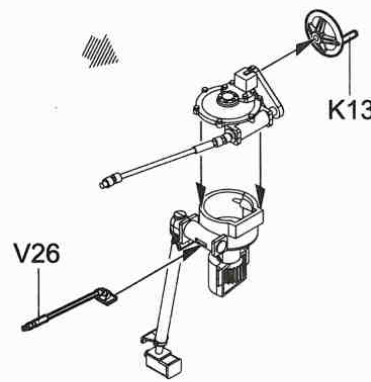


U31



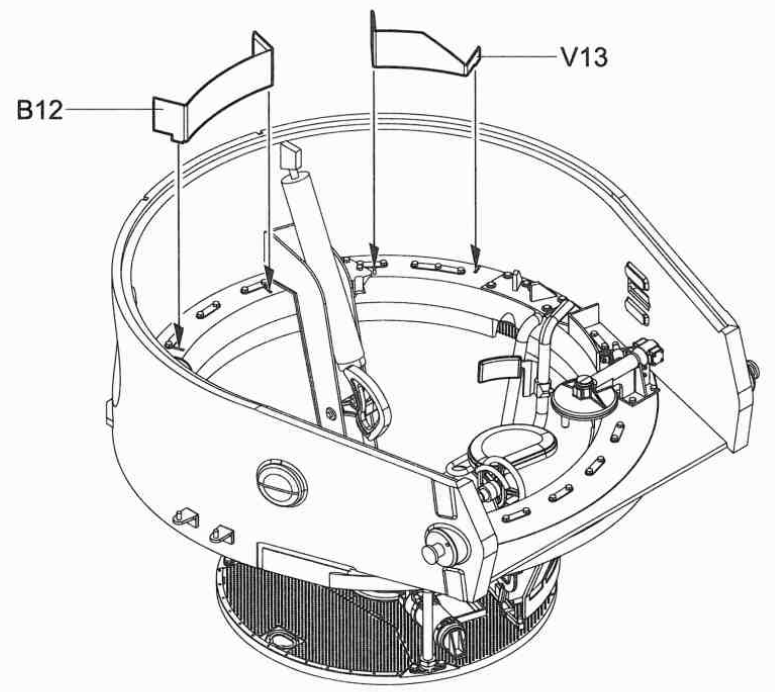
U41

U49



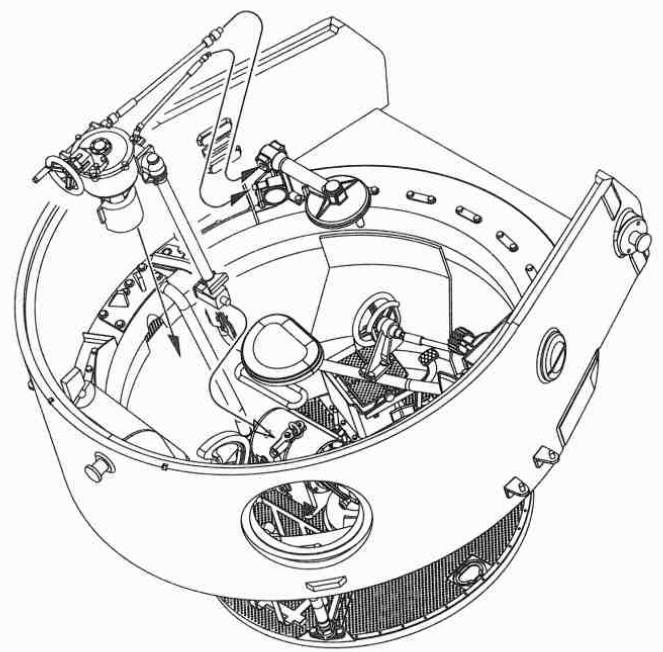
V26

K13

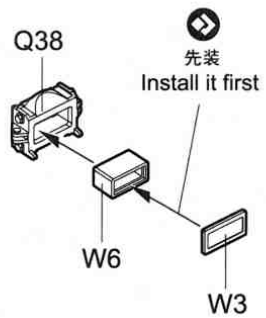
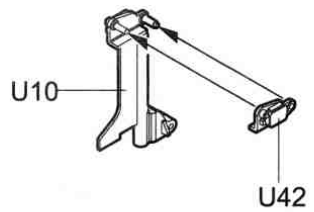
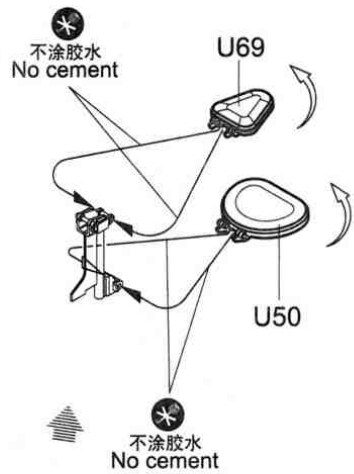


B12

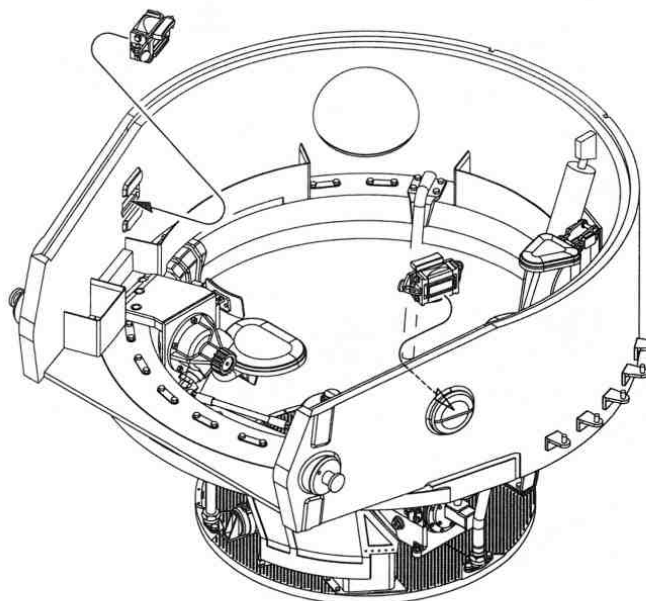
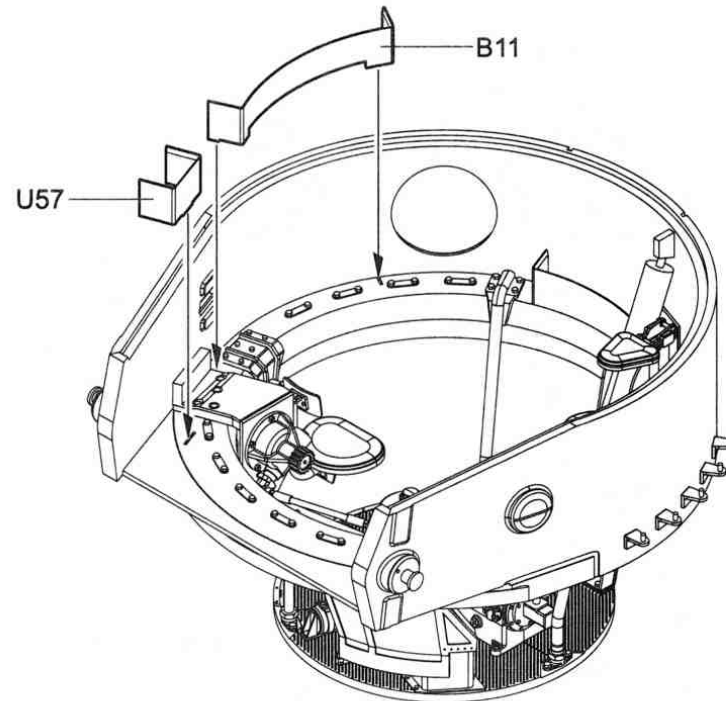
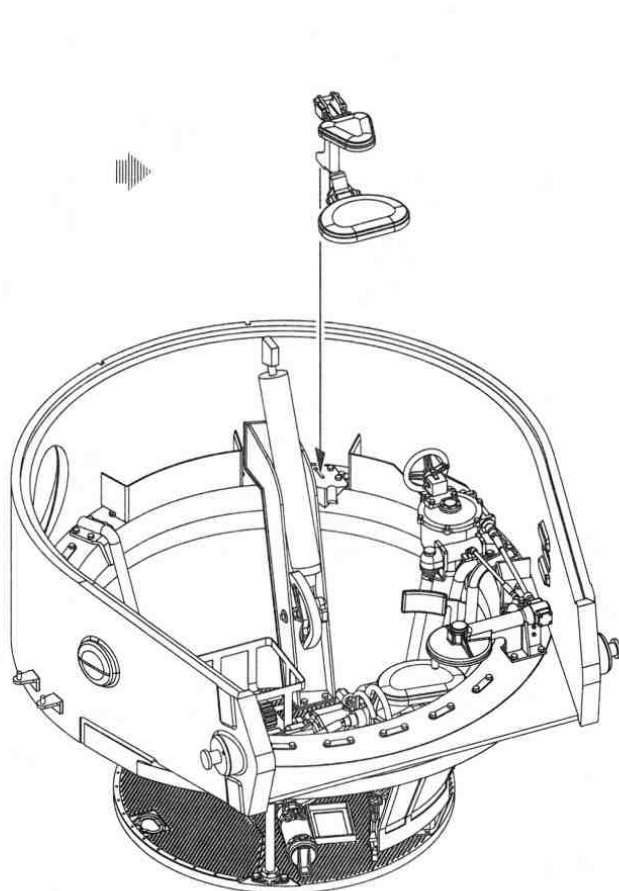
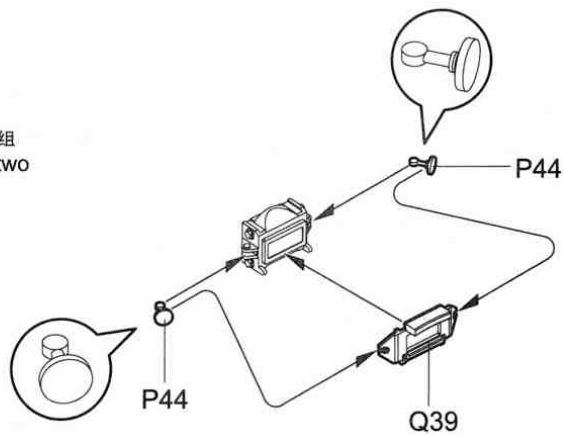
V13

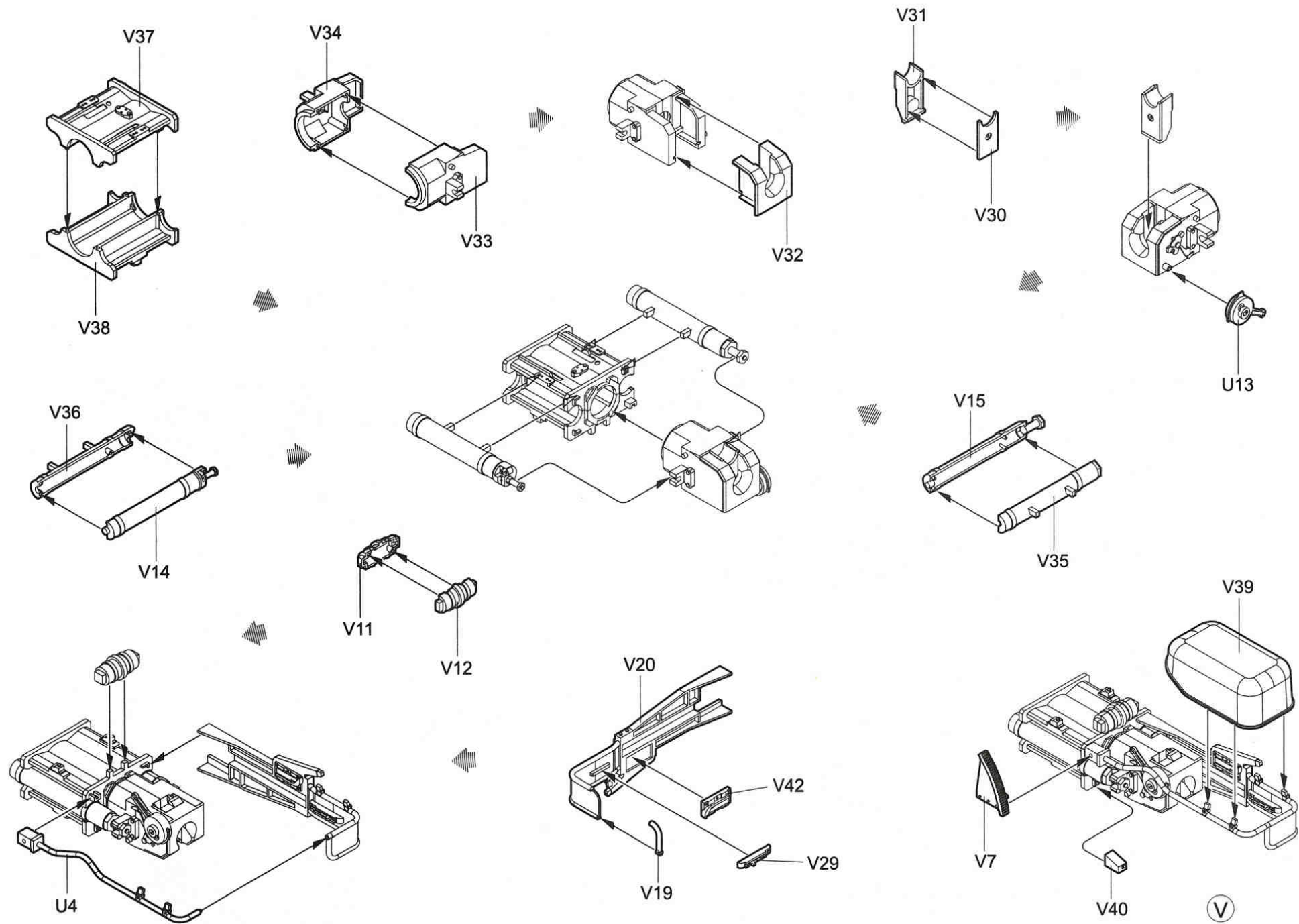


63

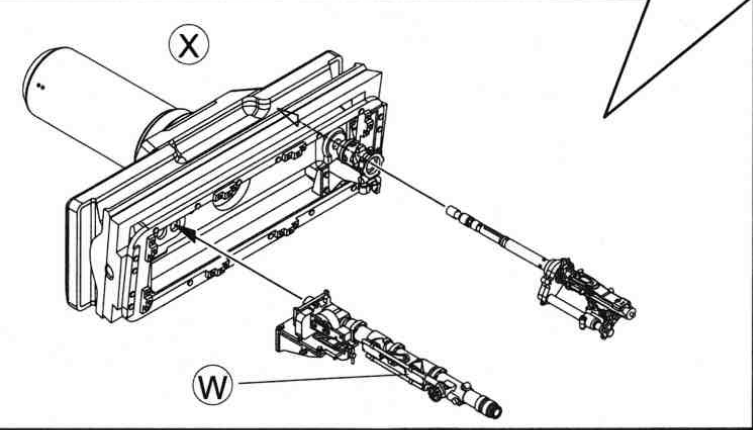
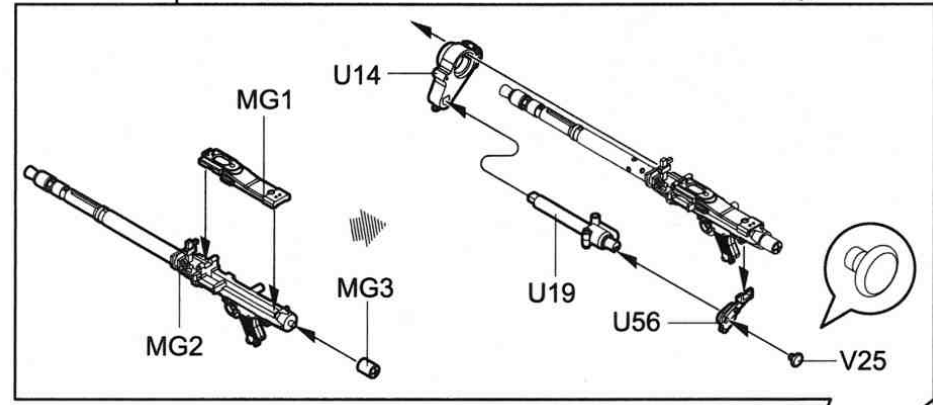
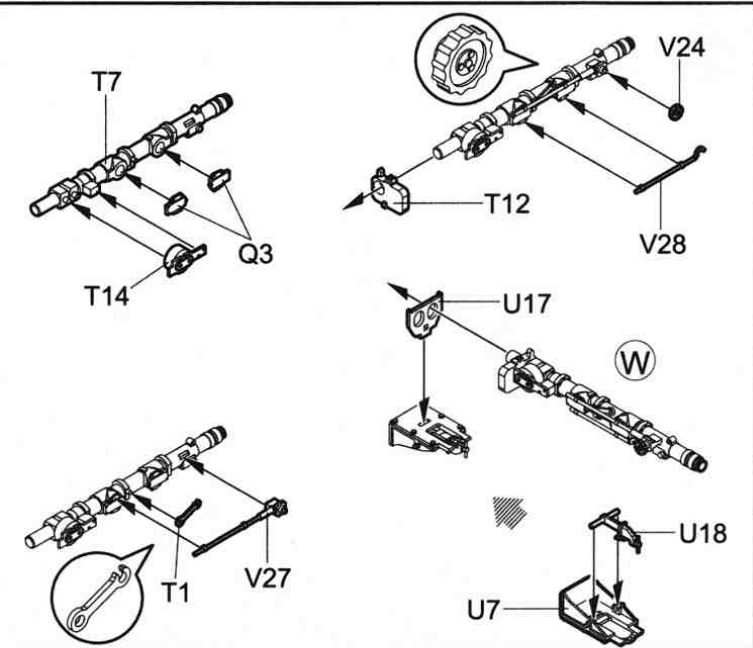
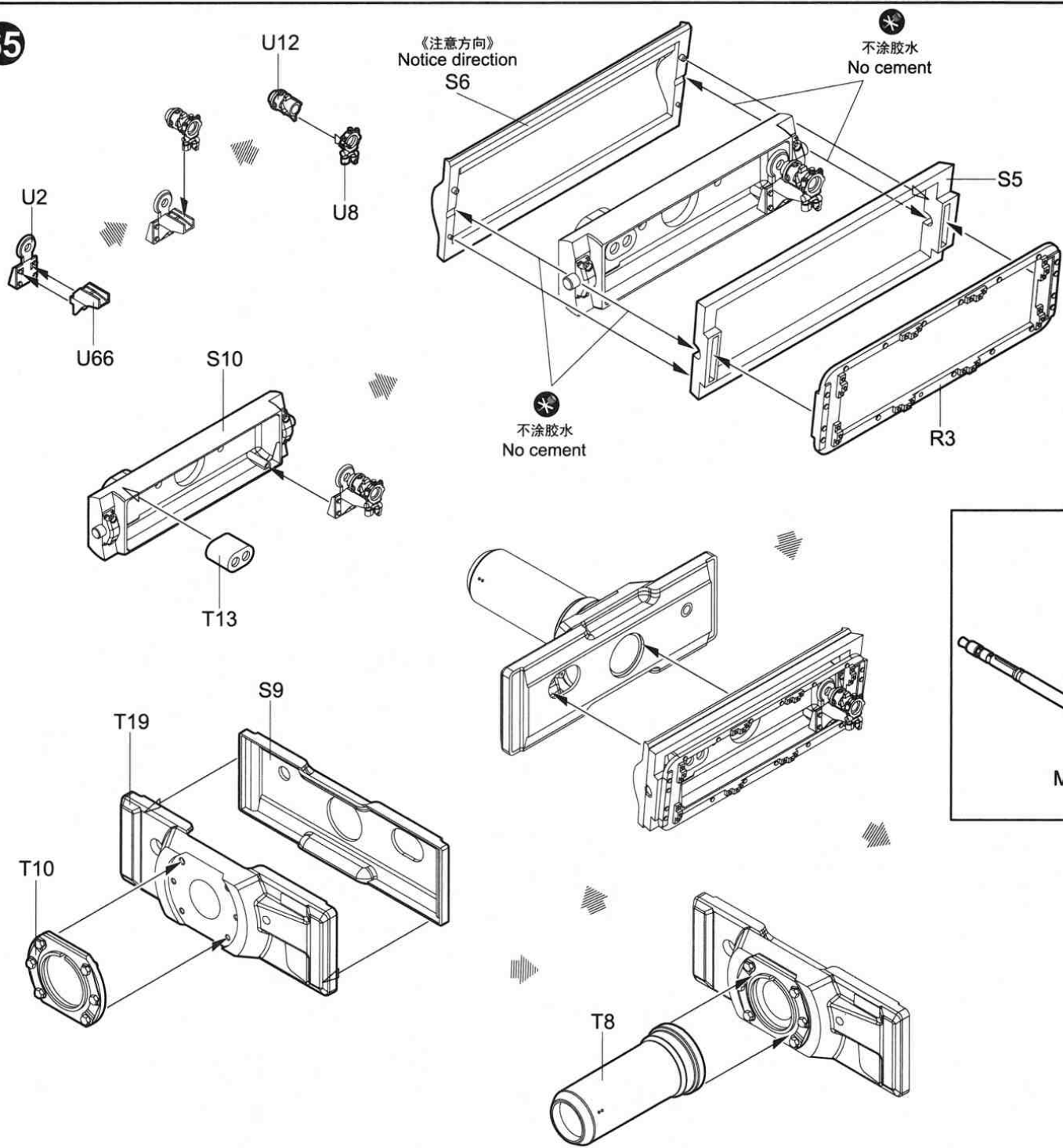


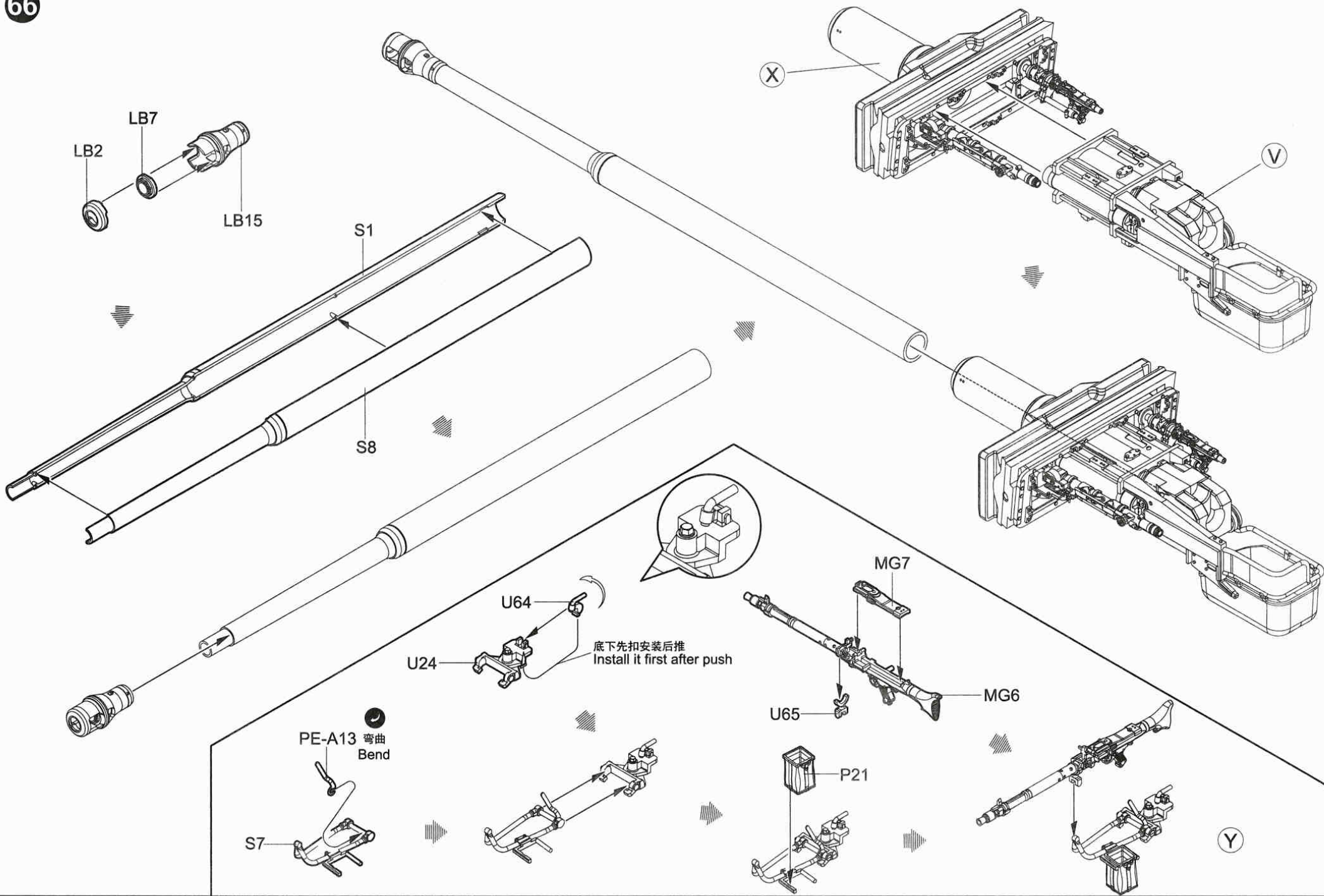
制作2组
Make two



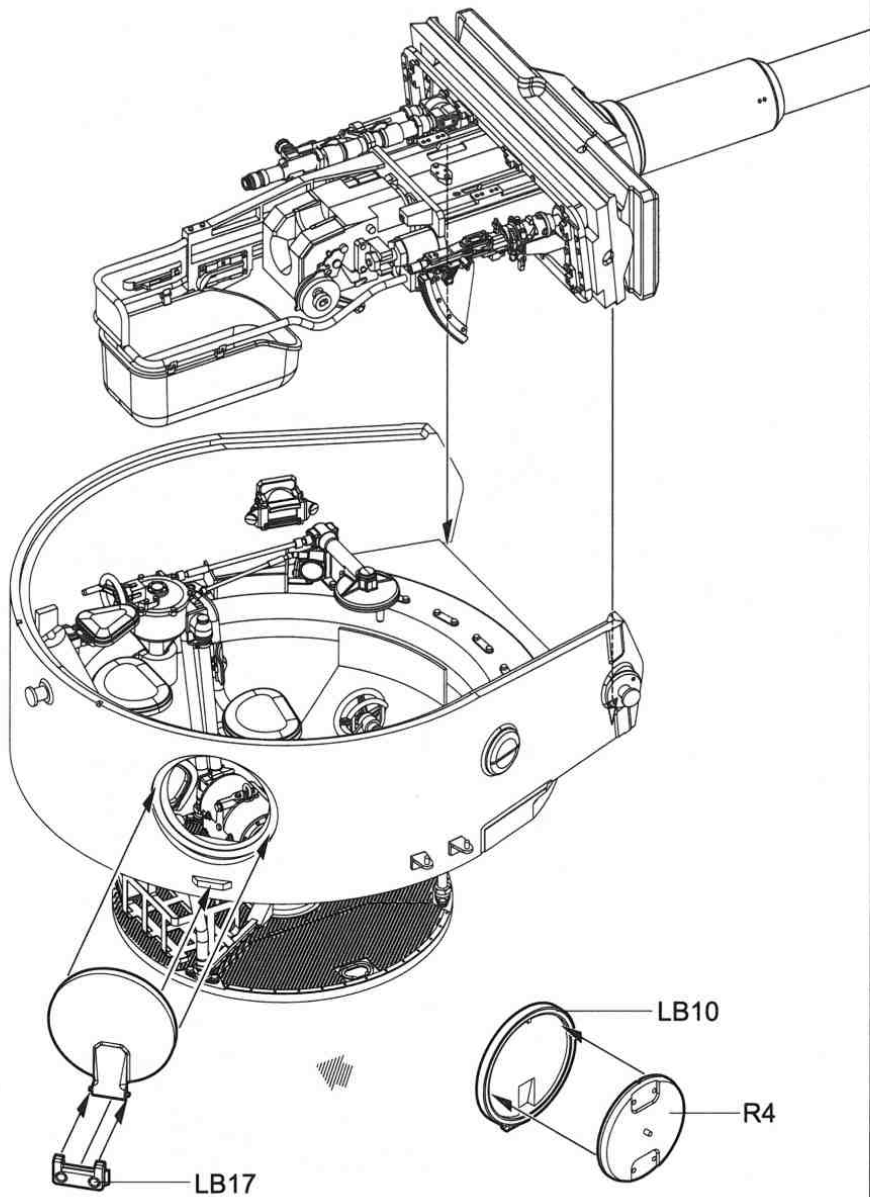


65

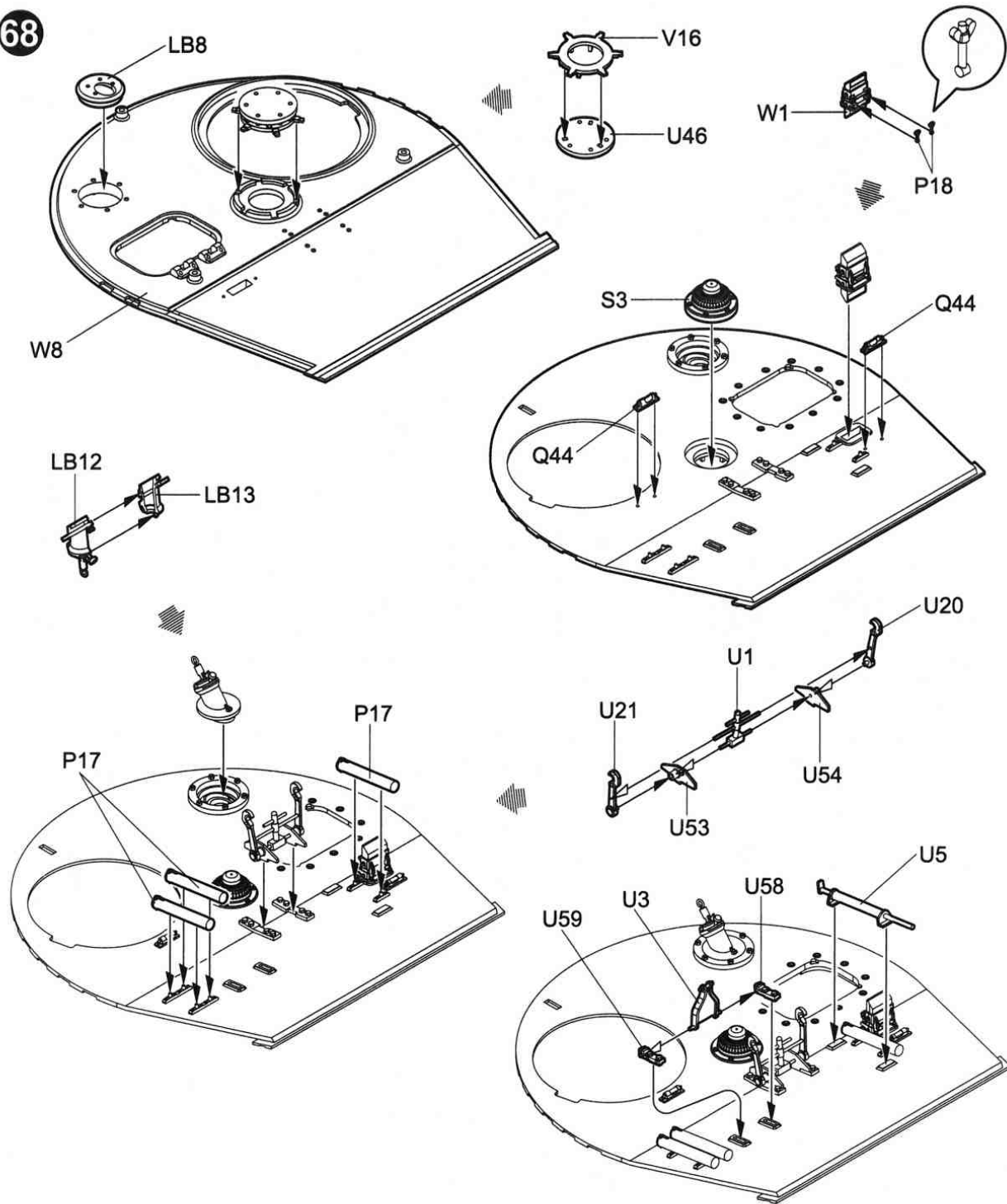




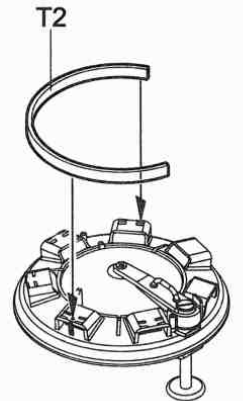
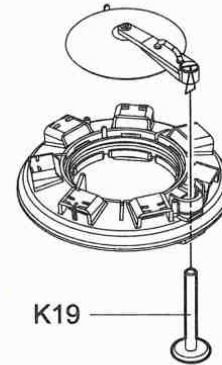
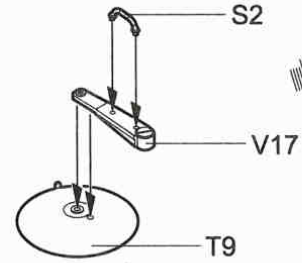
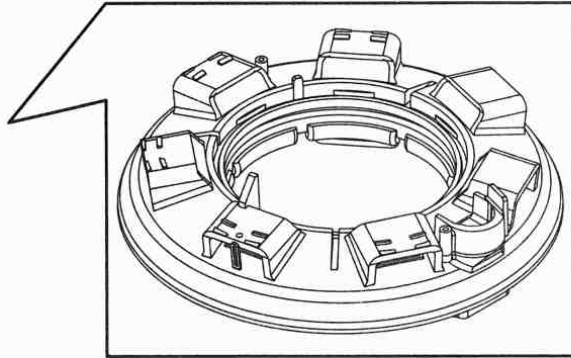
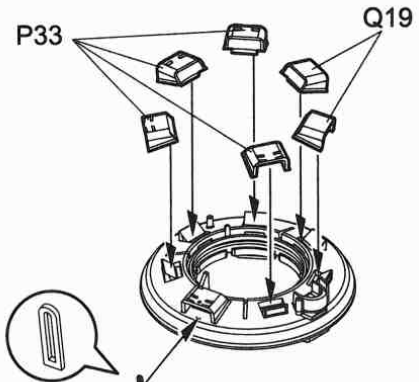
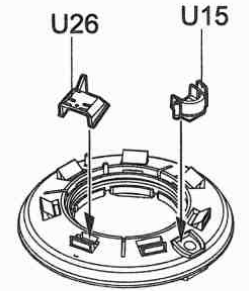
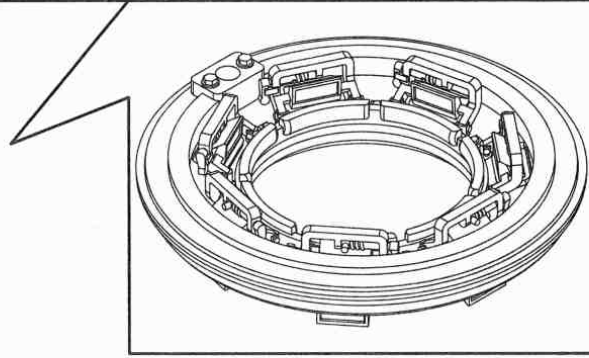
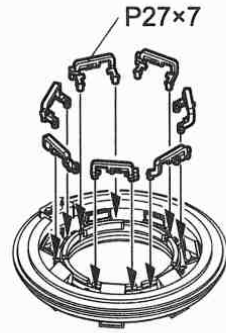
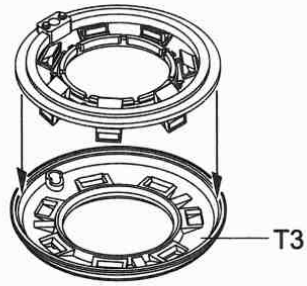
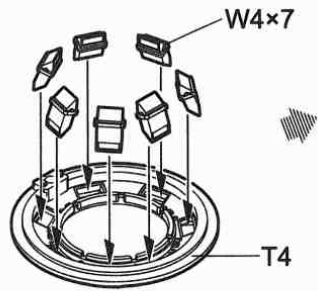
67



68



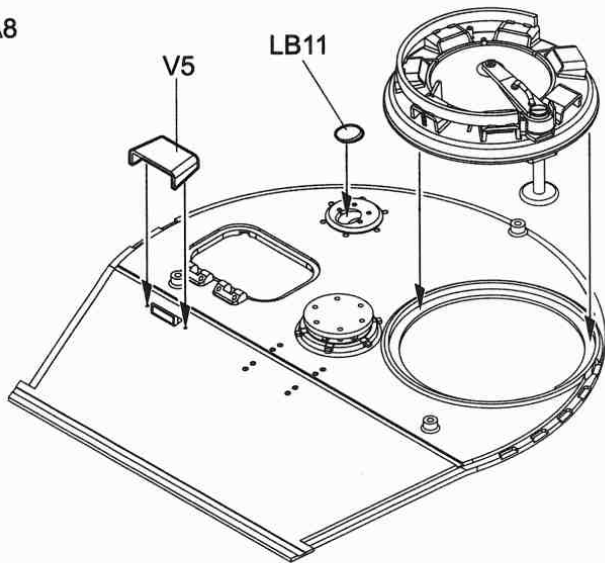
69



PE-A8

V5

LB11

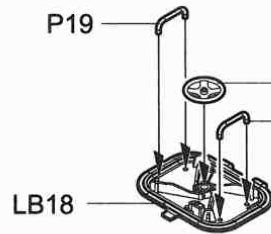


P19

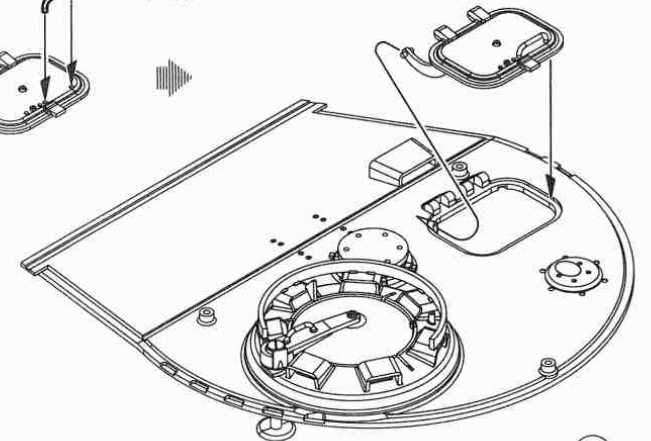
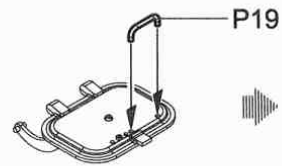
U25

P19

LB18



U11

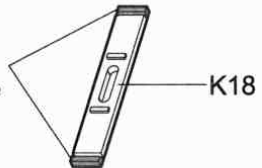


Z

70

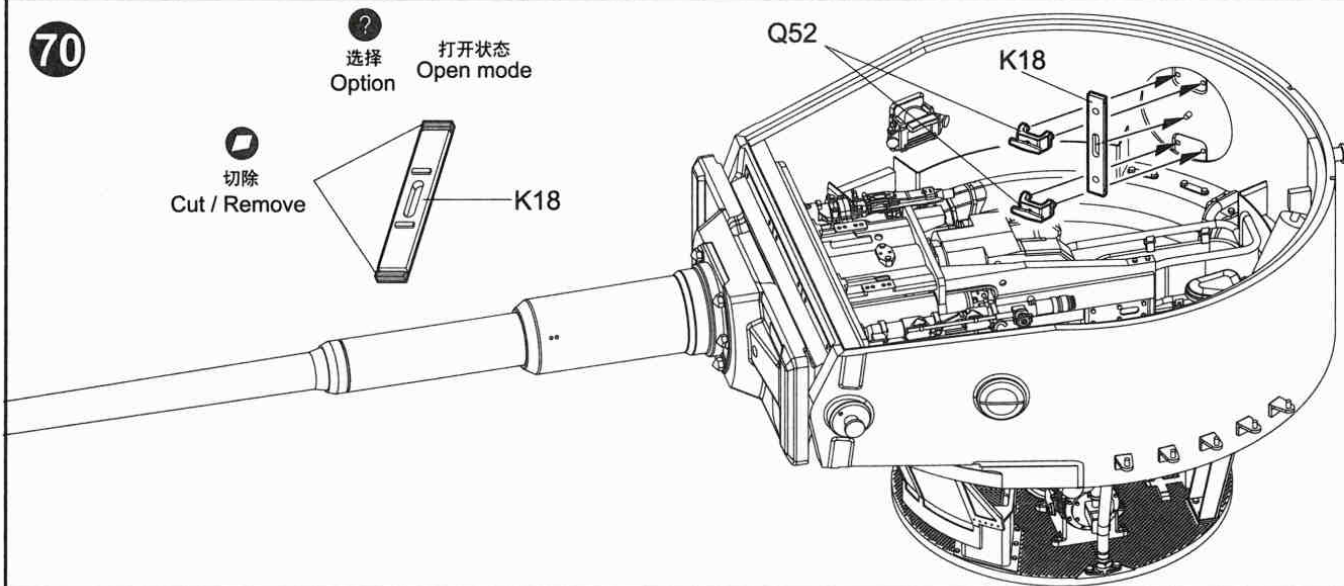
选择 打开状态
Option Open mode

切除
Cut / Remove

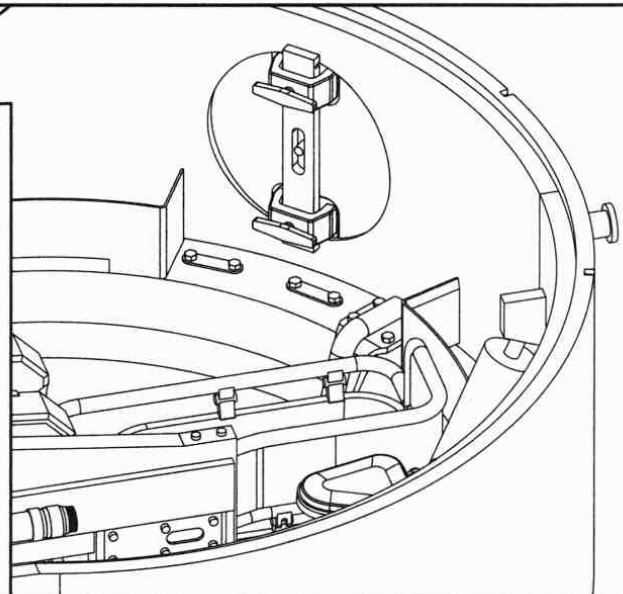


Q52

K18

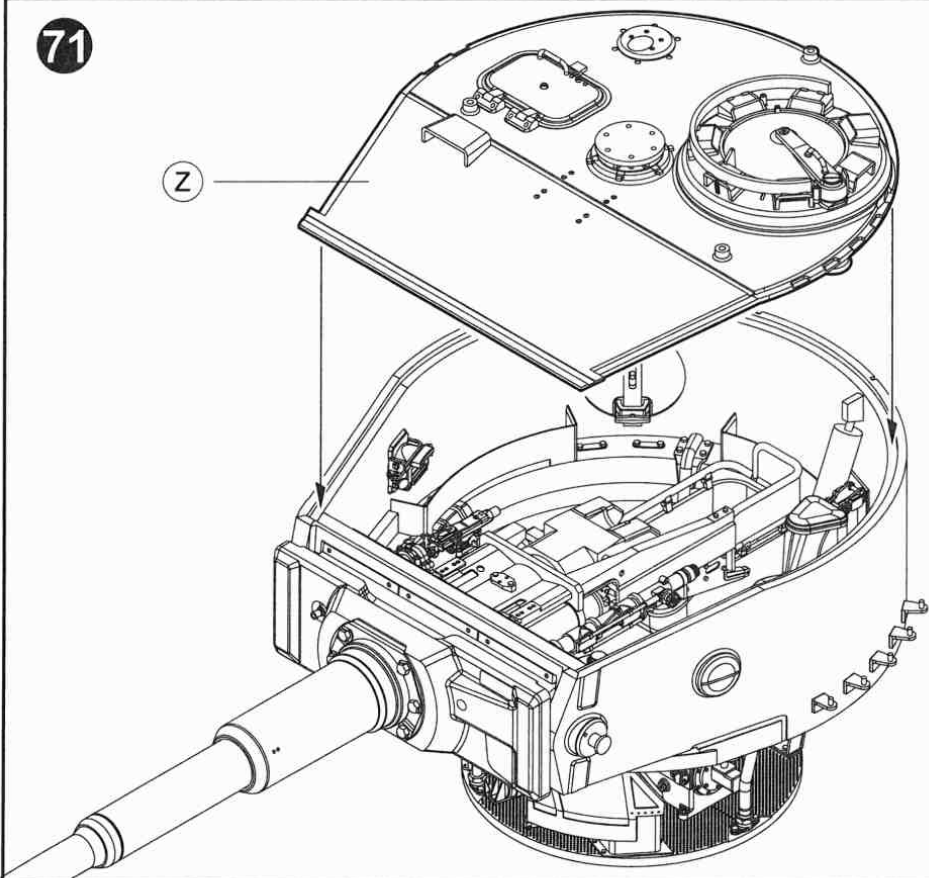


选择 关闭状态
Option Close mode



71

Z



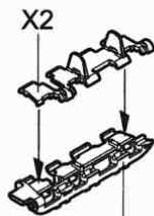
72

制作5组
Make five

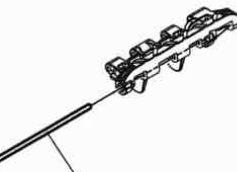
P1

P40

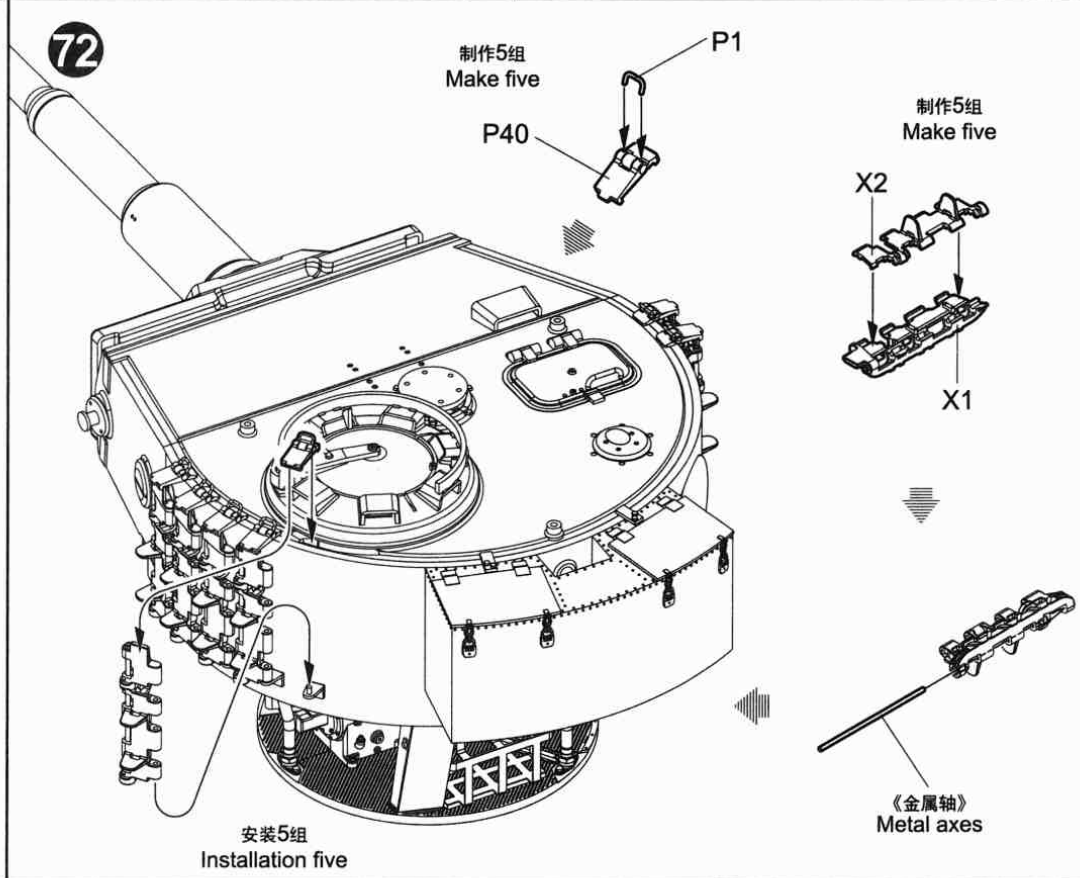
制作5组
Make five

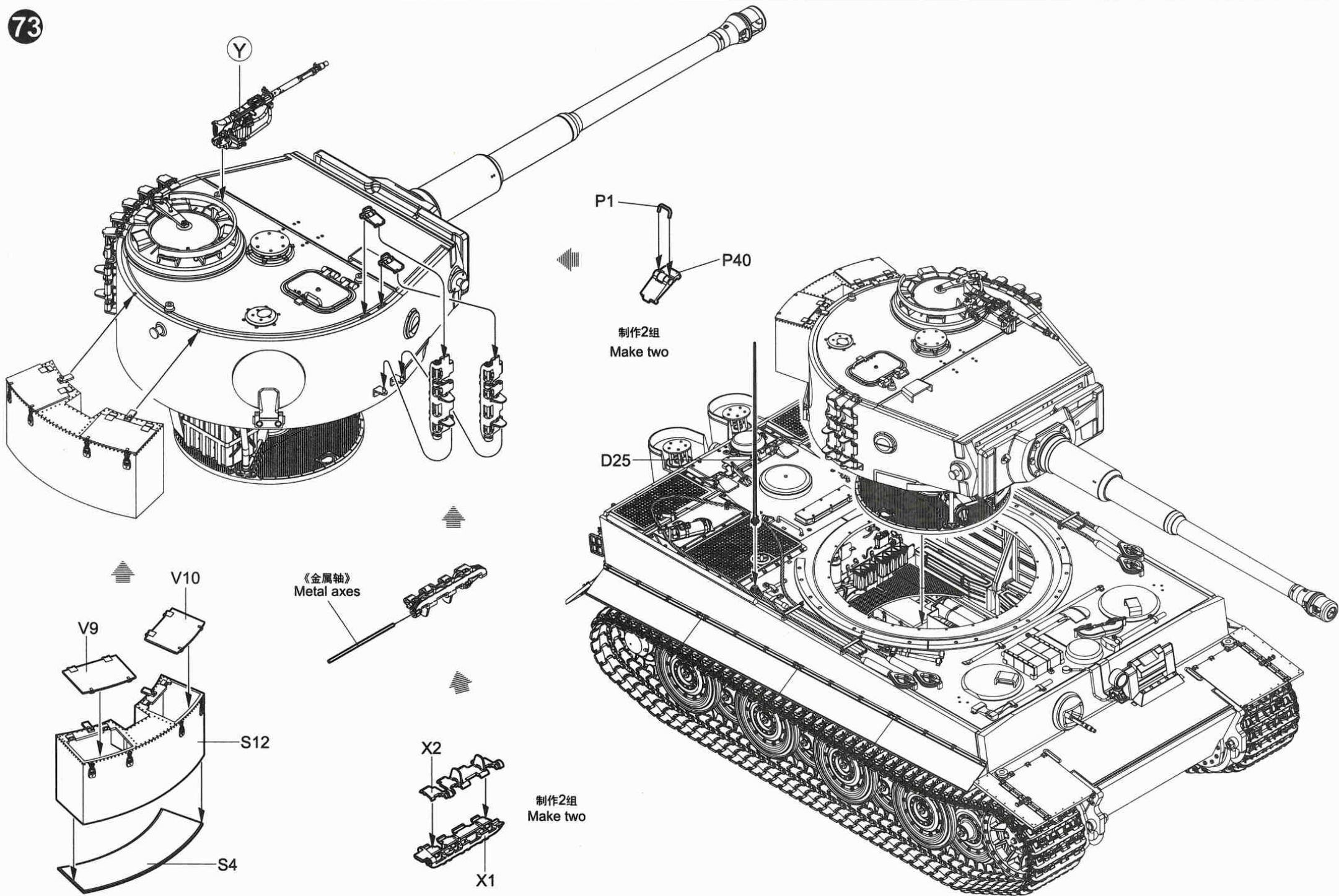


X1



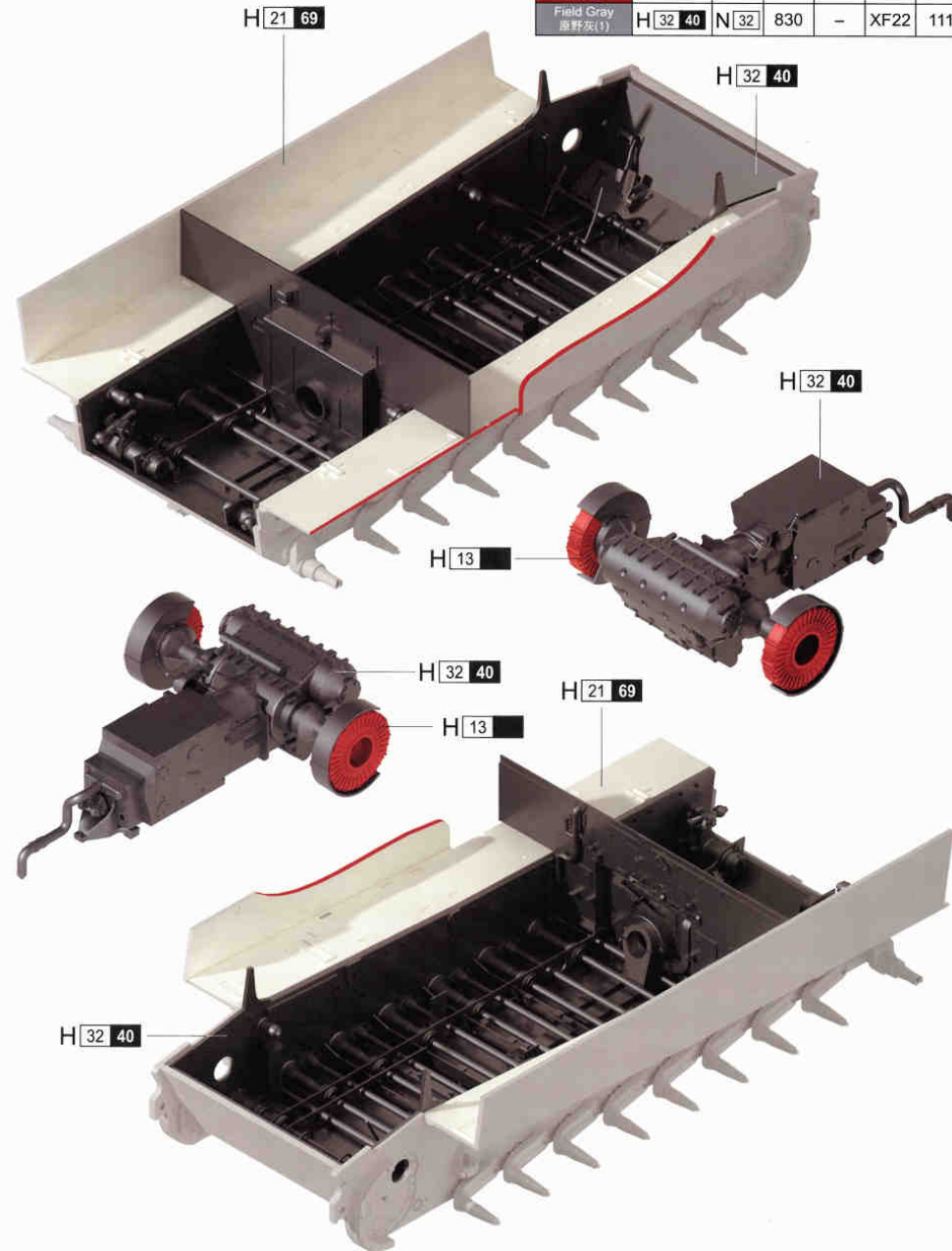
安装5组
Installation five





涂装同标贴指示 Painting & Marking guide

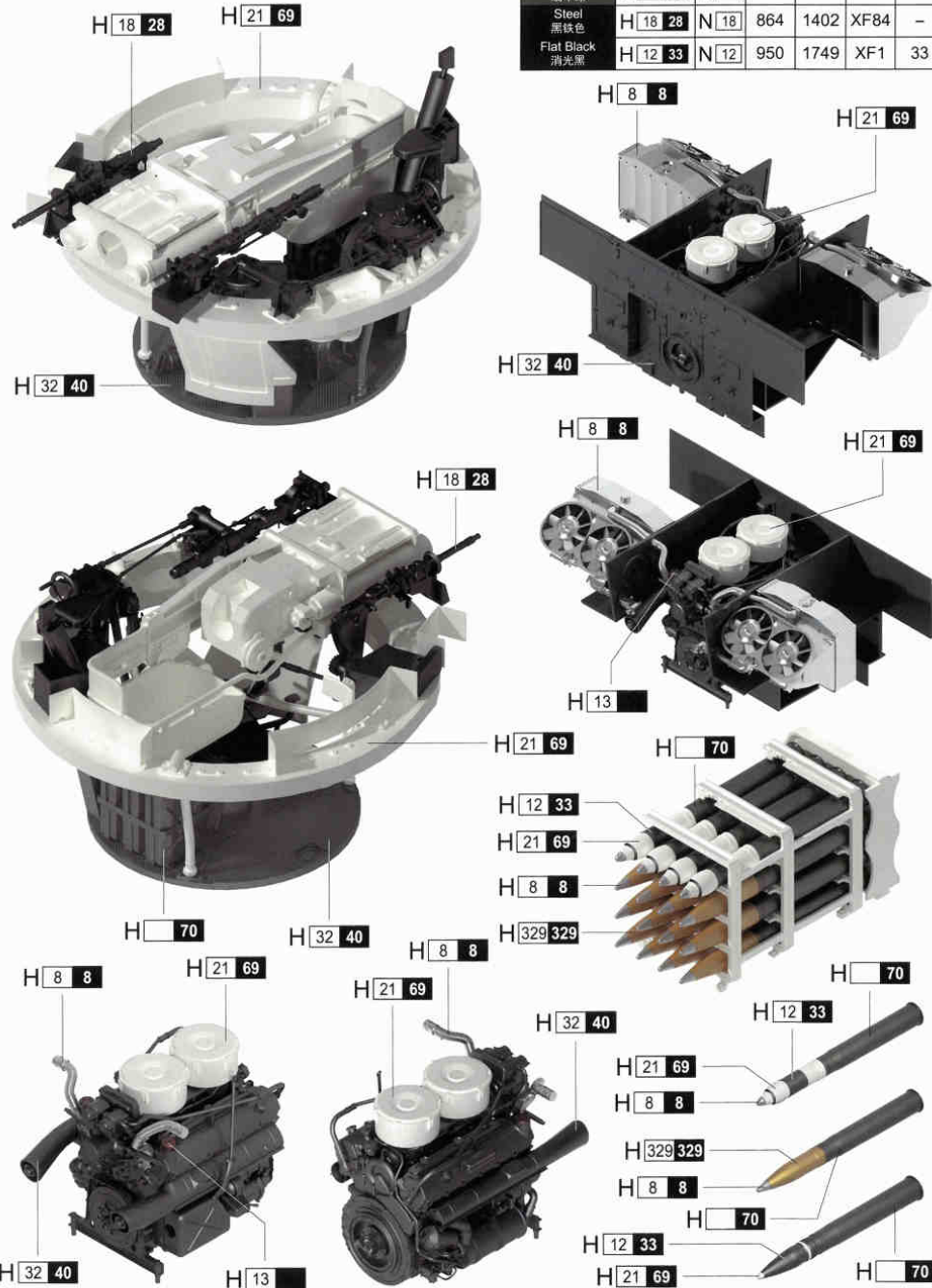
PAINT REFERENCE COLOR						
Color	Mr.Hobby	Acrycion	Vallejo	Model Master	Tamiya	Humbrol
Off White 淡白色	H 21 69	N 21	918	2709	-	-
Silver 银色	H 8 8	N 8	997	1546	X11	11
Flat Red 消光红	H 13	N	-	-	-	-
Field Gray 原野灰(1)	H 32 40	N 32	830	-	XF22	111



H AQUEOUS HOBBY COLOR ■ Mr. COLOR N ACRYSION COLOR

涂装同标贴指示 Painting & Marking guide

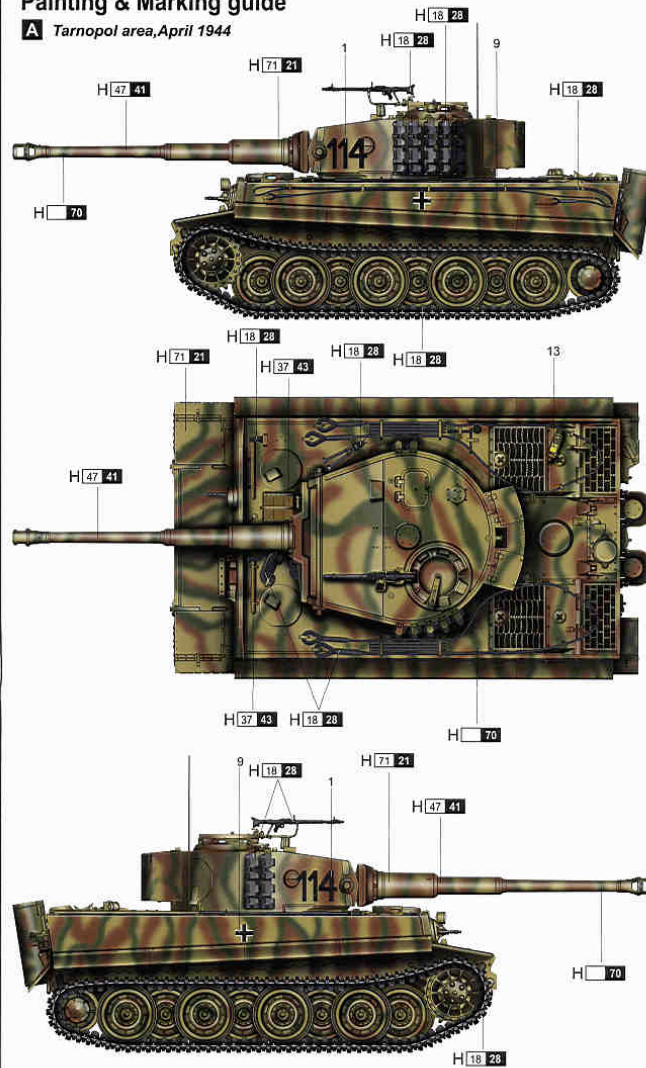
PAINT REFERENCE COLOR						
Color	Mr.Hobby	Acrysion	Vallejo	Model Master	Tamiya	Humbrol
Orange Yellow 黄色	H 329 329	N 329	-	1514	X8	188
Dark Green 战军绿	H 70	N 70	-	-	-	-
Steel 黑铁色	H 18 28	N 18	864	1402	XF84	-
Flat Black 消光黑	H 12 33	N 12	950	1749	XF1	33



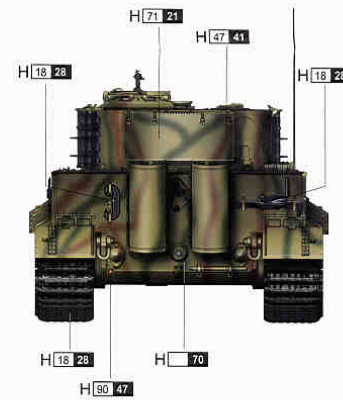
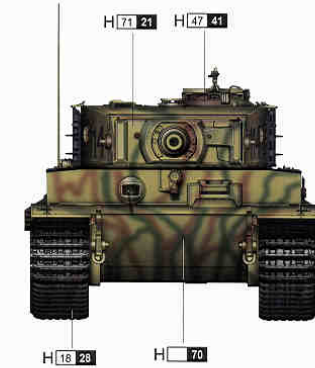
H AQUEOUS HOBBY COLOR Mr. COLOR N ACRYSION COLOR

涂装同标贴指示
Painting & Marking guide

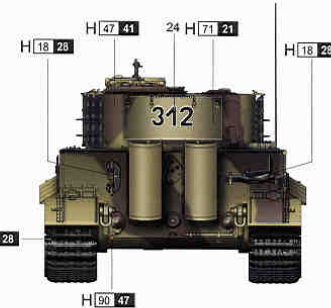
A Tarnopol area, April 1944



PAINT REFERENCE COLOR						
Color	Mr.Hobby	Acryslon	Vallejo	Model Master	Tamiya	Humbrol
Red Brown 红棕色	H 47 41	N 47	984	—	XF64	160
Middle Stone 土黄色	H 71 21	N 71	821	—	—	84
Dark Green 陆军绿	H 70	N —	—	—	—	—
Wood Brown 木棕色	H 37 43	N 37	983	1701	—	186
Yellow 黄色	H 4 4	N 4	953	1514	X8	69
Steel 黑铁色	H 18 28	N 18	864	1402	XF84	—
Clear Red 透明红	H 90 47	N 90	934	—	X27	—



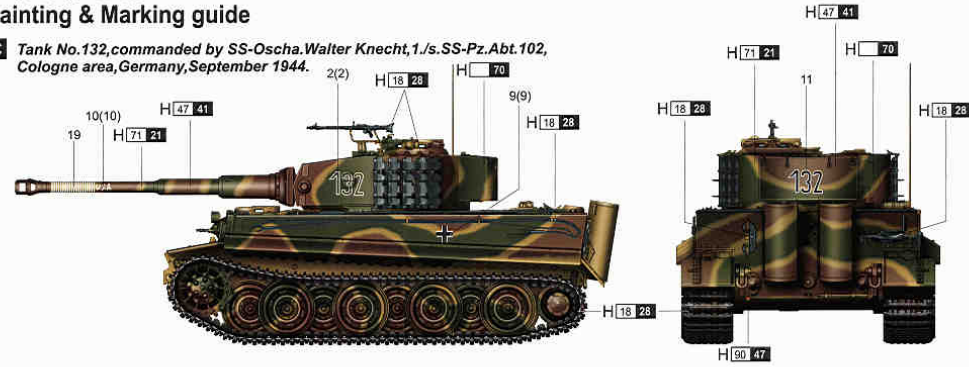
B Tank No.312,3./s.Pz.Abt.505,Poland, July 1944



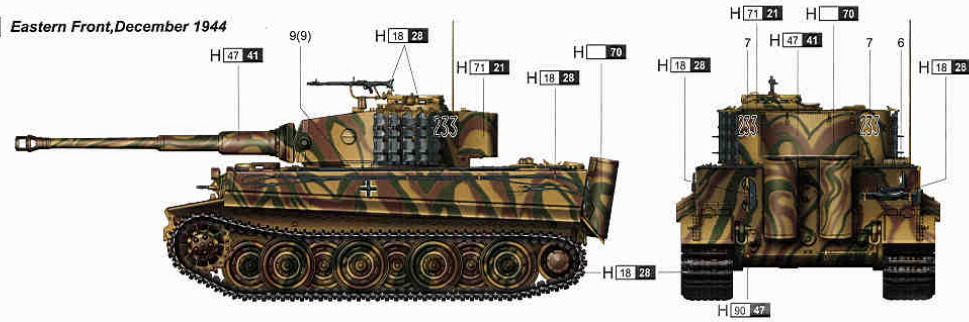
H AQUEOUS HOBBY COLOR ■ Mr. COLOR ■ N ACRYSLON COLOR

涂装同标贴指示
Painting & Marking guide

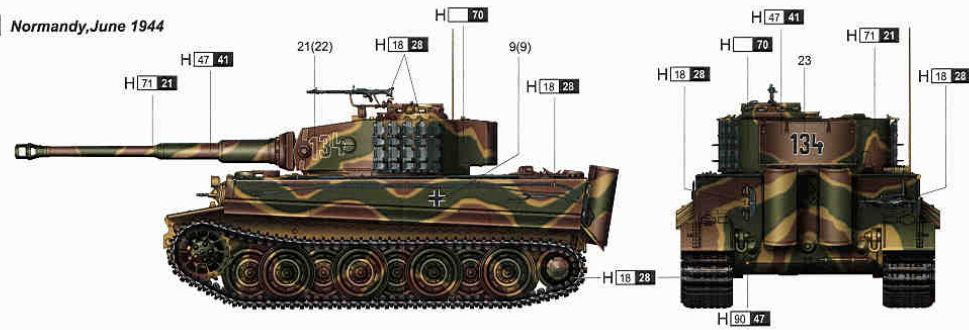
C Tank No. 132, commanded by SS-Oscha. Walter Knecht, 1./s. SS-Pz. Abt. 102, Cologne area, Germany, September 1944.



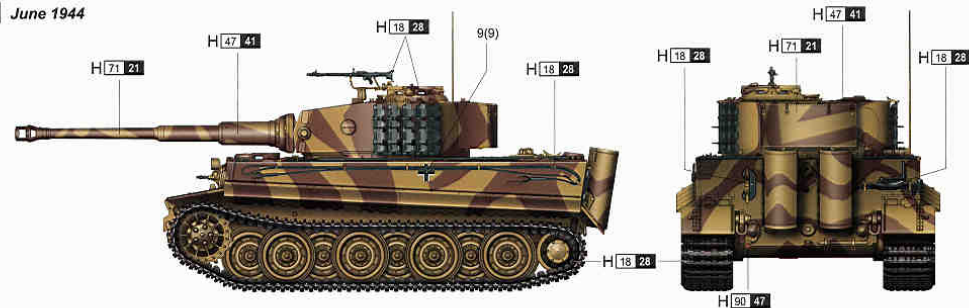
D Eastern Front, December 1944



E Normandy, June 1944



F June 1944



H 18 AQUEOUS HOBBY COLOR ■ Mr. COLOR ■ H 71 ACRYSION COLOR