

# Su-27UB Flanker C

Su-27UB フランカーC

苏-27UB“侧卫”C教练机

## PLEASE READ BEFORE OPERATION!

- \* Tools recommended as below: (Not included)  
Adhesives; Paints; Side Cutters; Sharp Edged Pliers; Modeling Knife; Modeling File; Nippers; Drill; Scissors; Sand Paper; Soft Cloth; Cyanoacrylate Glue.
- \* Make sure to read this instruction listed below before assembling.
- \* The kit contains the small parts, they can be dangerous if swallowed by mistake, so keep them away from reach of children.
- \* Cut the all parts off carefully and remove the waste parts into the garbage can.
- \* More caution and care should be needed for cutting and handling the photo etched parts.
- \* Make attention that some parts should be attached the decal when assembled.
- \* During assembling, please tear up and throw away the plastic bags, or may cause the dangerous if wearing over head by children's mistake.
- \* When using the adhesives and paints, please do not use them in the closed room or near the fire, also must be very careful to protect your eyes, face and clothes.
- \* Adult supervised when assembled by children under 14 years old.

## 装配前请仔细阅读:

- \* 推荐使用的模型工具(请自备):  
专用模型胶水, 专用模型油漆, 水口剪刀, 长咀钳, 刀片, 锉刀, 镊子钳, 钻, 剪刀, 软布, 砂纸, 瞬间快干胶等。
- \* 用水口剪刀或刀片小心切下所有塑胶零件和蚀刻片零件, 不要遗失小零件。
- \* 切取蚀刻片时应特别注意防止利边划伤手指。
- \* 用模型锉刀小心锉平所有零件表面的注射浇口。
- \* 用适量的强力快干胶水粘合蚀刻片零件和金属轴, 切忌过量, 否则可能导致可动零件被粘住。
- \* 注意某些零件表面需在装配时同步贴水上贴纸。
- \* 制作时应远离幼儿并将包装袋及时收妥, 谨防小孩玩耍而引起意外。



using ca super glue  
使用强力胶



weight  
配重



make hole  
钻孔



cut / remove  
切除



option  
选择



no cement  
不涂胶水



decal  
贴纸



bend  
弯曲



repair  
填补



install it first  
先装

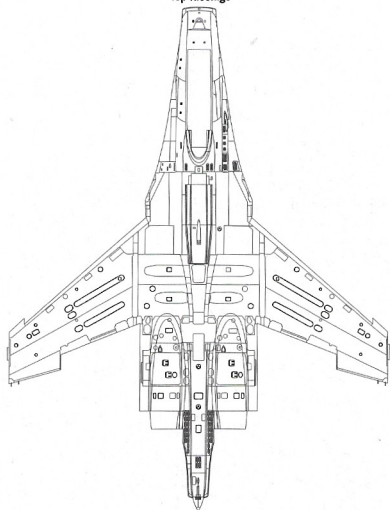
## The method to apply the decals

1. Cut off the decal from the decal paper and put it into the warm water 40°C for 10 seconds.
2. Take the decal from the water and put it on a piece of clean cloth.
3. Remove the decal slowly from the paper to the targeted location by a wet finger.
4. Use a piece of dry and soft cloth to press it gently on the decal until it getting dry and no bubble existing.

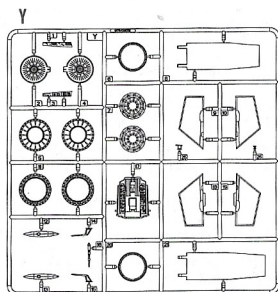
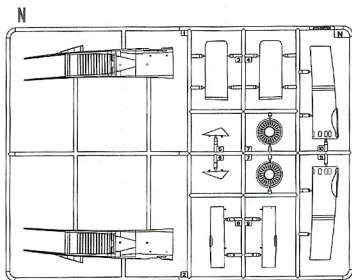
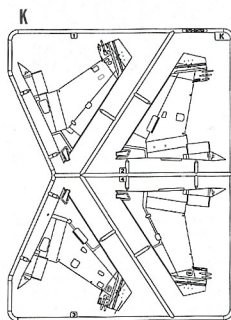
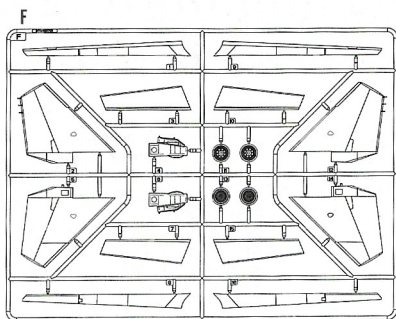
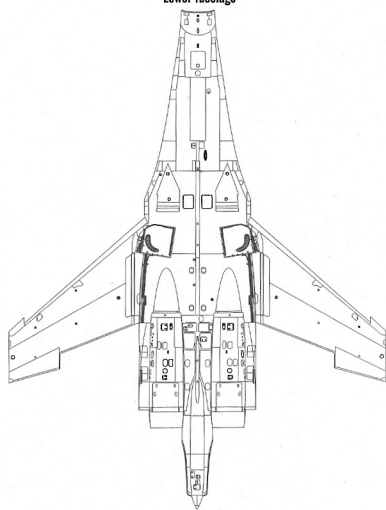
## 水贴纸的使用方法:

- 一. 把相关的印花从水贴纸上下剪下, 放入40°C左右的温水中浸10秒。
- 二. 然后将印花放在干净的布上。
- 三. 拿上印花纸版, 手指蘸水将印花移到适当的位置。
- 四. 用软干布轻压印花直至水干, 气泡消失。

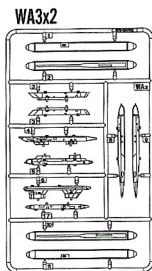
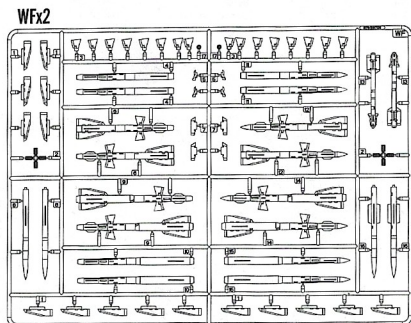
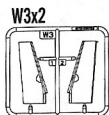
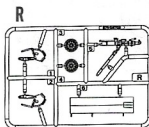
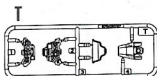
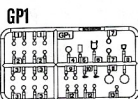
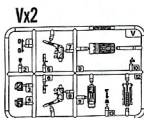
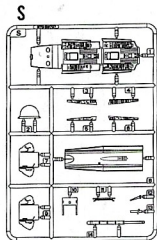
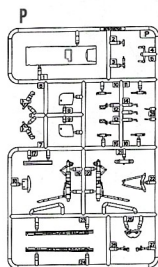
《上部机身》  
Top fuselage



《下部机身》  
Lower fuselage



# 部品图 Parts



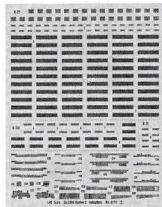
《水贴》A  
Decal



《水贴》B  
Decal



《水贴》C  
Decal



不用的部件:

Unused parts: P14 P28 Y1 Y3 Y8 Y17 WA3-1 WA3-2 WA3-3 WA3-10 WA3-11 GP1 GP6 GP9 GP11

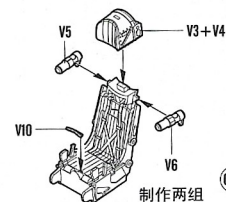
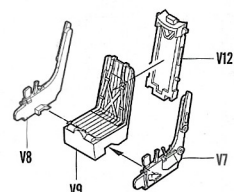
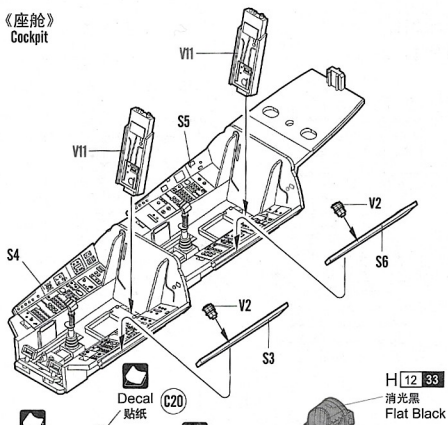
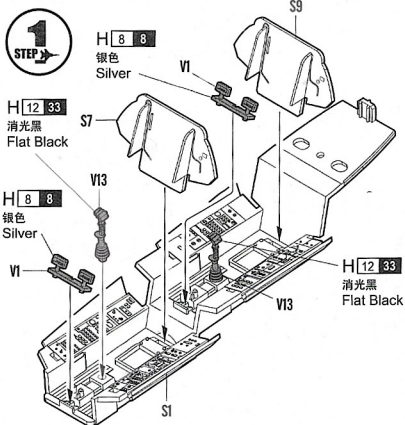
**1**  
STEP

H [8 8]  
银色  
Silver

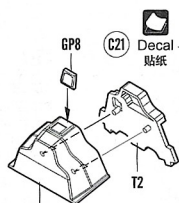
H [12 33]  
消光黑  
Flat Black

H [8 8]  
银色  
Silver

《座舱》  
Cockpit



制作两组  
Make two



H [12 33]  
消光黑  
Flat Black

C19  
Decal  
贴纸

C30  
Decal  
贴纸

C22  
Decal  
贴纸

C21  
Decal  
贴纸

T2

T3

T2

T3

T1

C30  
Decal  
贴纸

C29  
Decal  
贴纸

C29  
Decal  
贴纸

Decal  
贴纸

C20  
Decal  
贴纸

T2

T2

T2

T2

T1

C30  
Decal  
贴纸

C29  
Decal  
贴纸

C29  
Decal  
贴纸

Decal  
贴纸

C18  
Decal  
贴纸

T2

T2

T2

T2

T1

C26  
Decal  
贴纸

C26  
Decal  
贴纸

C26  
Decal  
贴纸

H [12 33]  
消光黑  
Flat Black

Decal  
贴纸

C28  
Decal  
贴纸

C27  
Decal  
贴纸

C24  
Decal  
贴纸

C23  
Decal  
贴纸

C26  
Decal  
贴纸

C25  
Decal  
贴纸

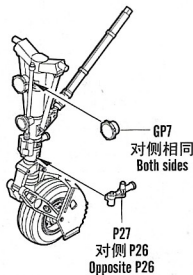
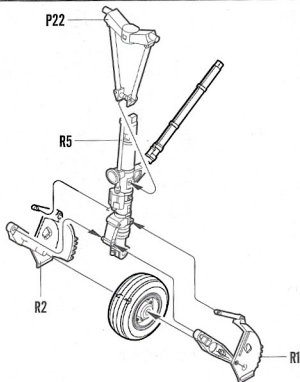
**2**  
STEP

《前起落架》  
Nose undercarriage



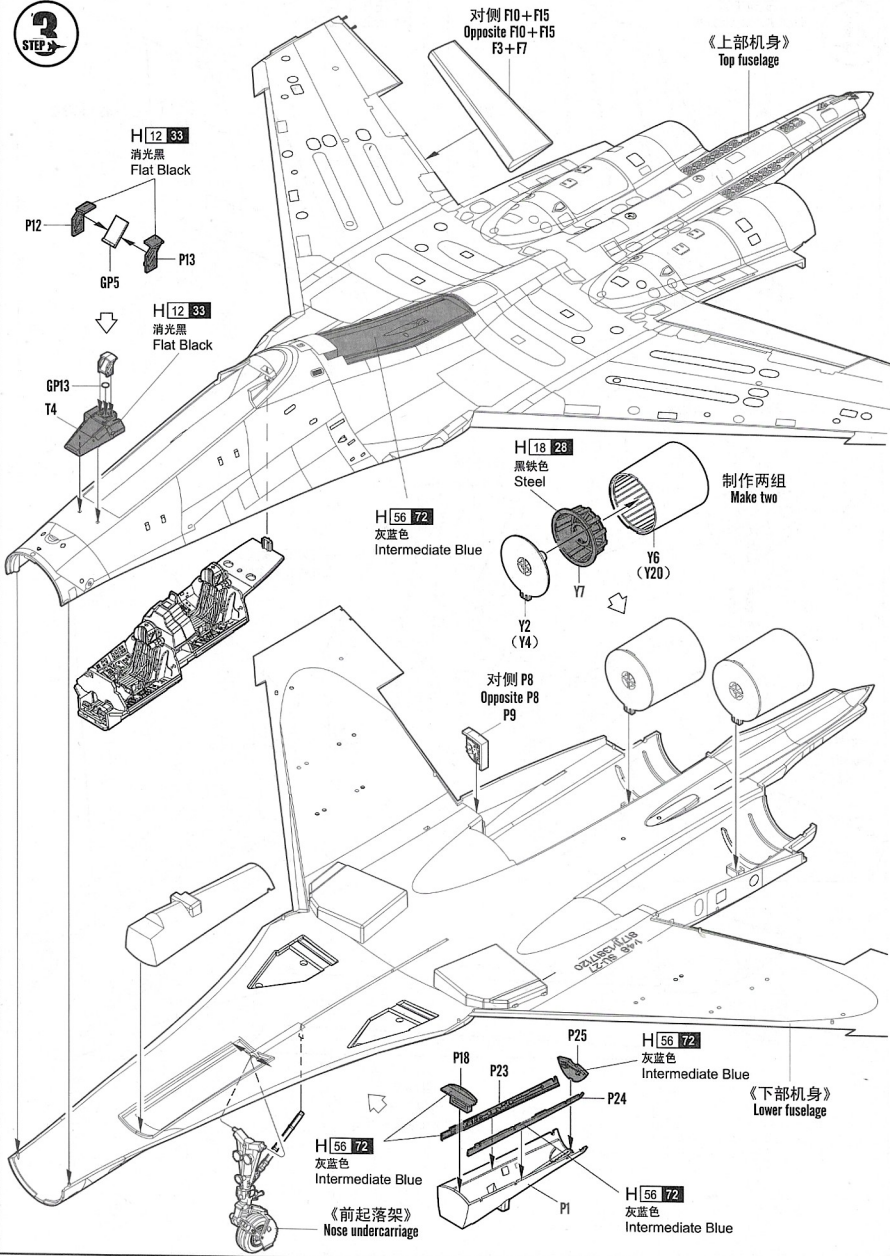
《前轮胎》  
Nose tyre

R3+R4



P7  
对侧相同  
Both sides

P27  
对侧 P26  
Opposite P26



对侧 F10 + F15  
Opposite F10 + F15  
F3 + F7

《上部机身》  
Top fuselage

H12 33  
消光黑  
Flat Black

P12  
GP5  
P13

H12 33  
消光黑  
Flat Black

GP13  
T4

H56 72  
灰蓝色  
Intermediate Blue

H18 28  
黑铁色  
Steel

制作两组  
Make two

Y6 (Y20)  
Y7  
Y2 (Y4)

对侧 P8  
Opposite P8  
P9

H56 72  
灰蓝色  
Intermediate Blue

《下部机身》  
Lower fuselage

H56 72  
灰蓝色  
Intermediate Blue

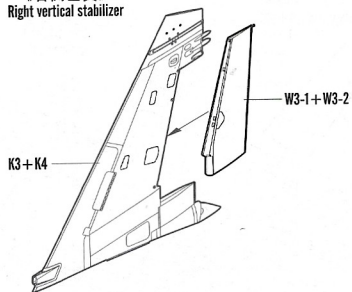
《前起落架》  
Nose undercarriage

P25  
P18  
P23  
P24  
P1

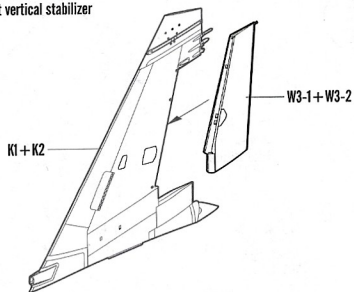
H56 72  
灰蓝色  
Intermediate Blue



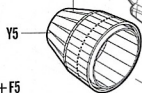
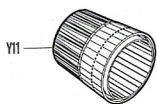
《右侧垂翼》  
Right vertical stabilizer



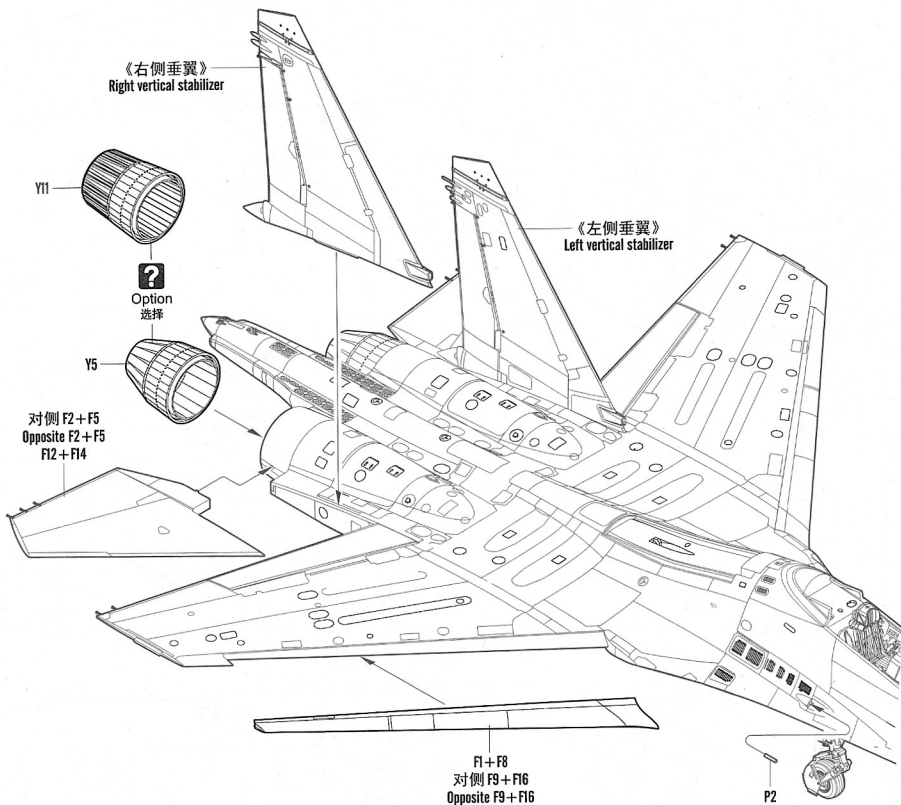
《左侧垂翼》  
Left vertical stabilizer



《右侧垂翼》  
Right vertical stabilizer

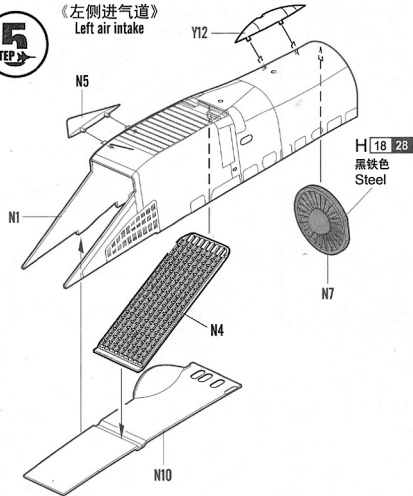


对侧 F2+F5  
Opposite F2+F5  
F12+F14

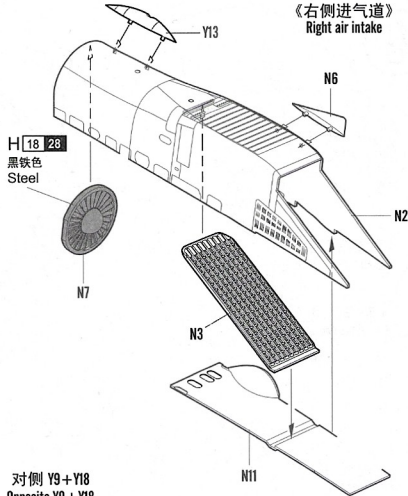


**5**  
STEP

《左侧进气道》  
Left air intake

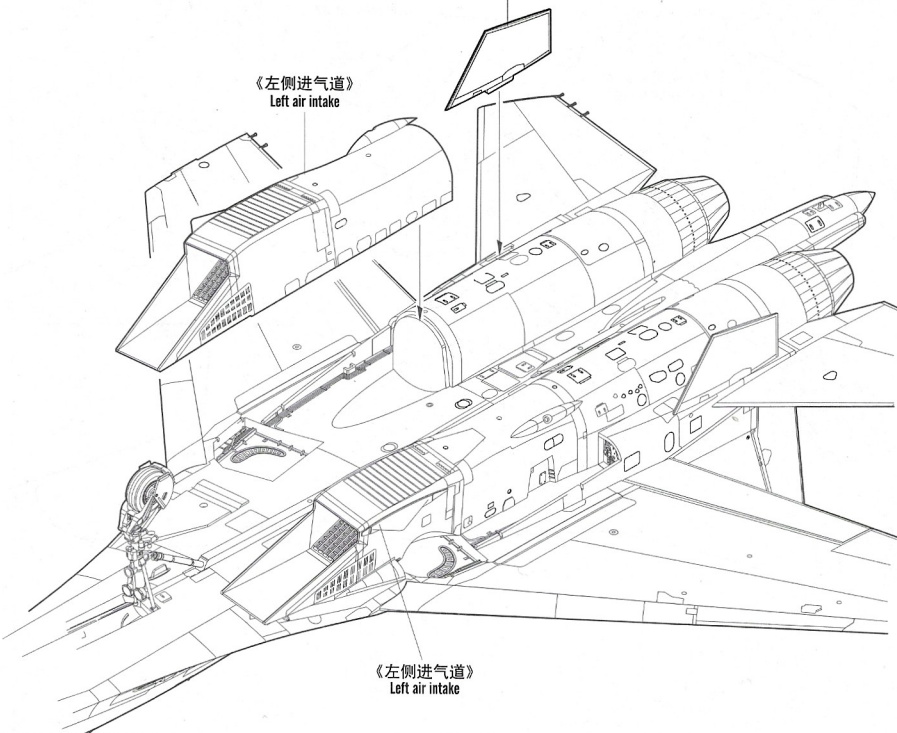


《右侧进气道》  
Right air intake



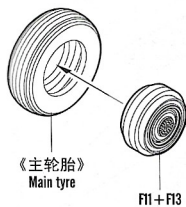
对侧 Y9 + Y18  
Opposite Y9 + Y18  
Y10 + Y19

《左侧进气道》  
Left air intake



《左侧进气道》  
Left air intake

6  
STEP

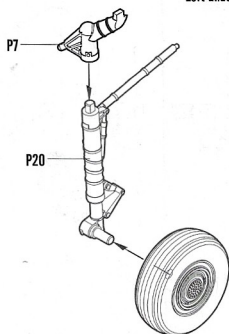


《主轮胎》  
Main tyre

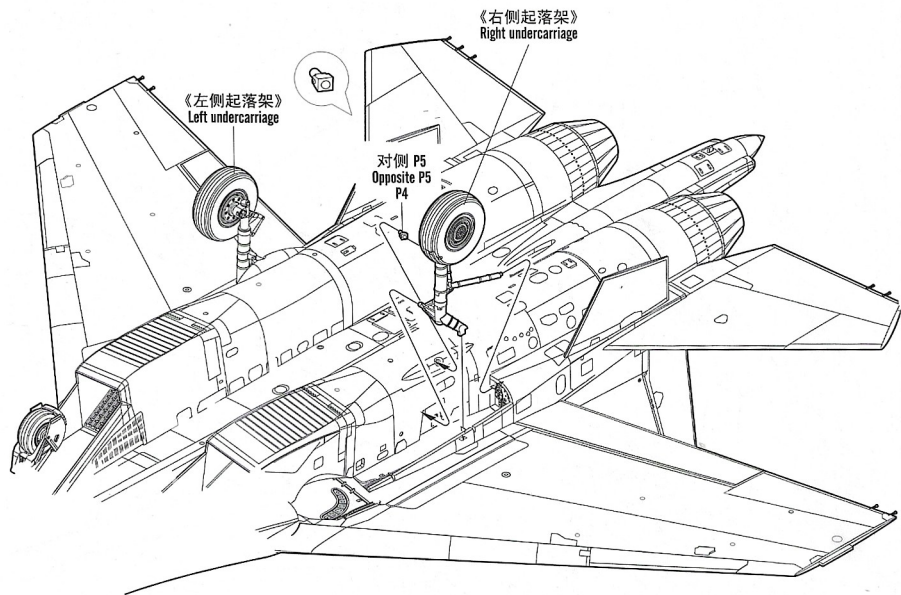
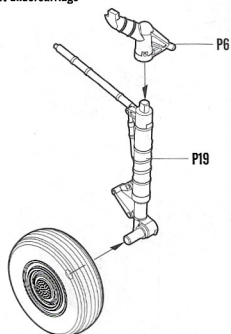
F11 + F13

制作两组  
Make two

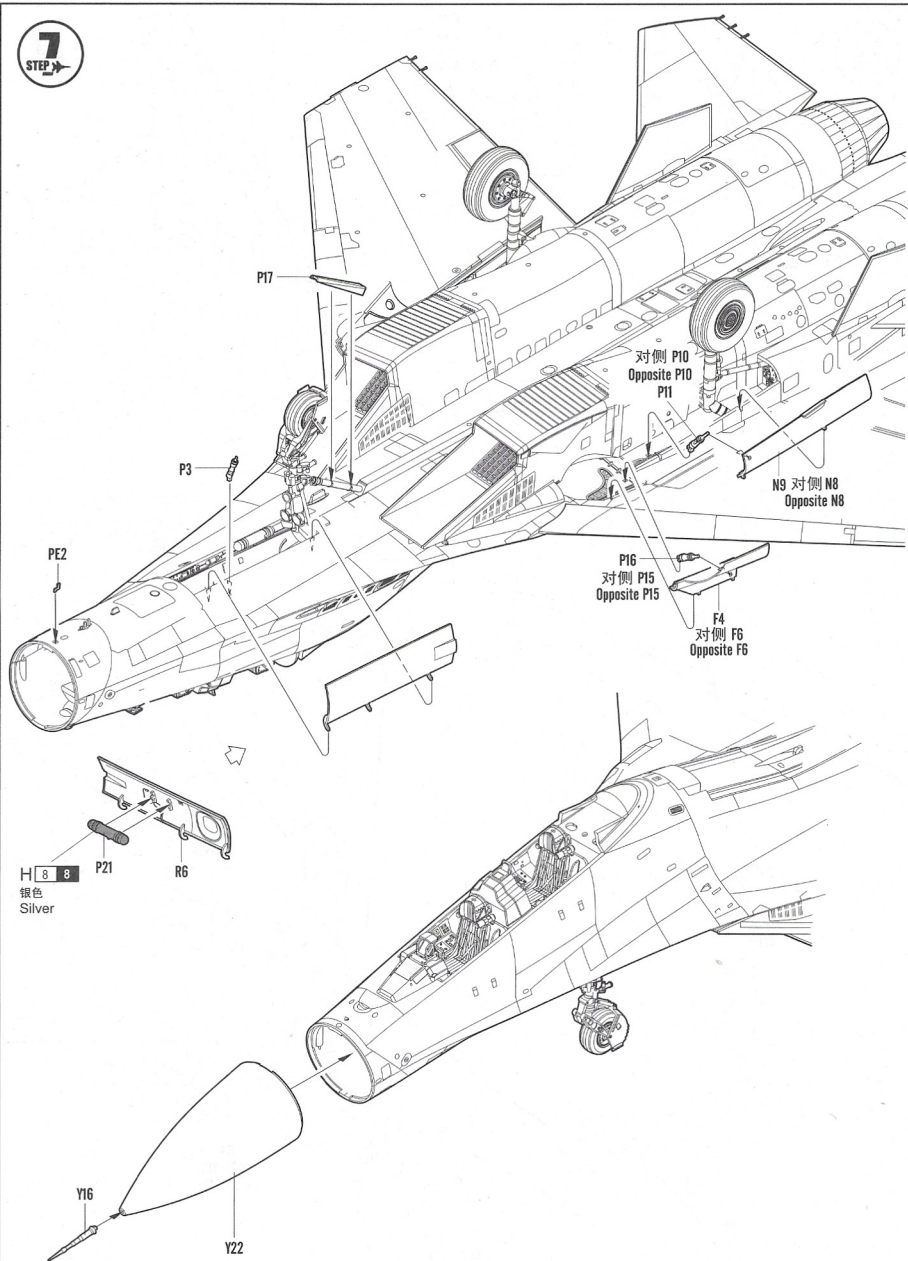
《左侧起落架》  
Left undercarriage

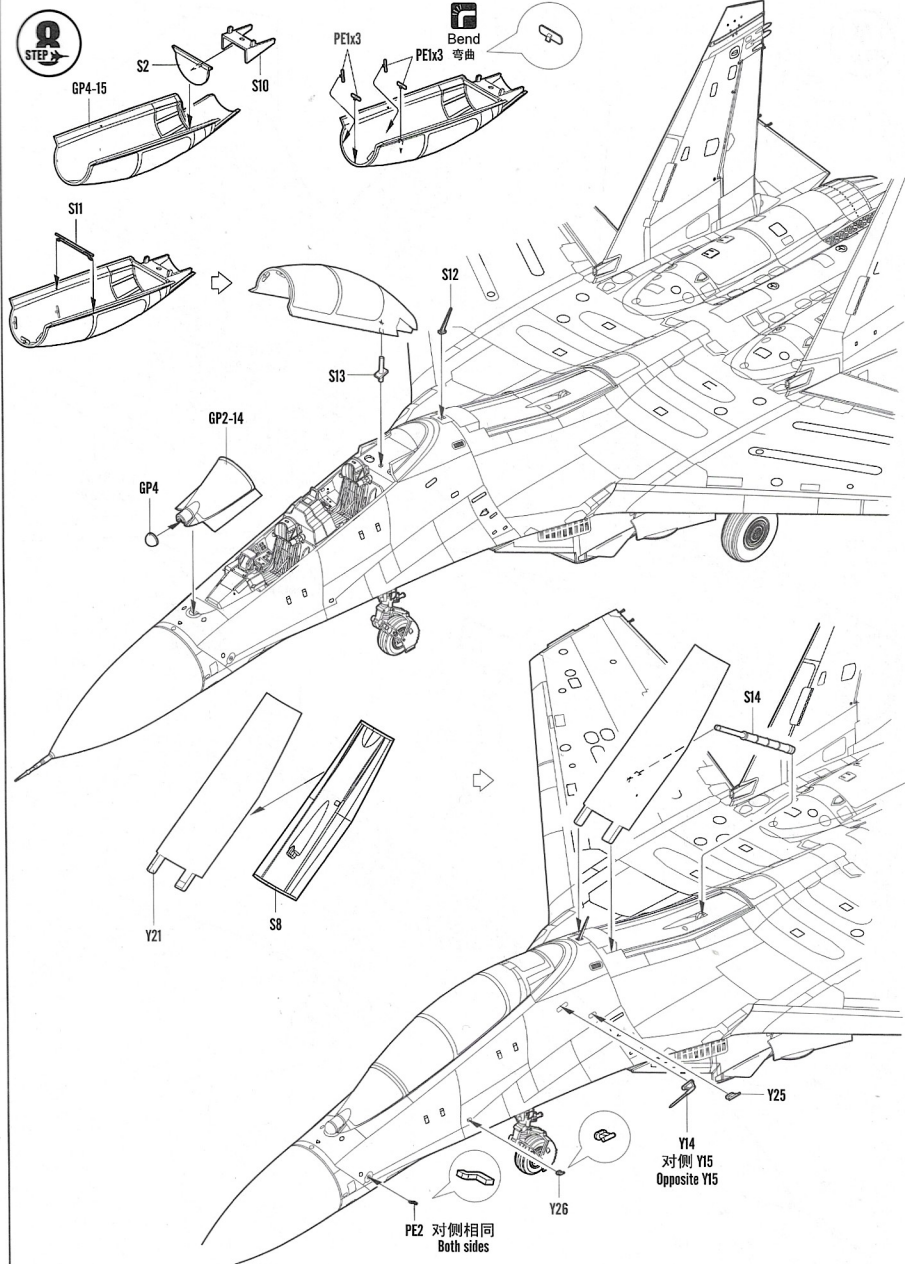


《右侧起落架》  
Right undercarriage









9  
STEP

GP10

WA3-8

WA3-7

WA3-4

WA3-7

WA3-6

WA3-5

WA3-9

GP10



10  
STEP

《R-73》

WF7

WF17

WF5

WF13

WF7

制作四组  
Make four

GP12

WF5

《R-77》

WF2

WF8+WF16

制作四组  
Make four

《R-27R》

WF1

WF3

WF1

WF11+WF12

WF3

制作四组  
Make four

《R-27T》

WF1

WF3

WF1

GP3

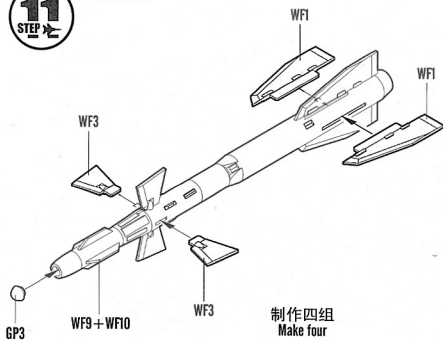
WF4+WF6

WF3

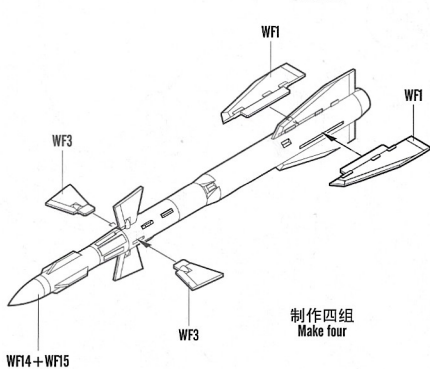
制作四组  
Make four

**11**  
STEP

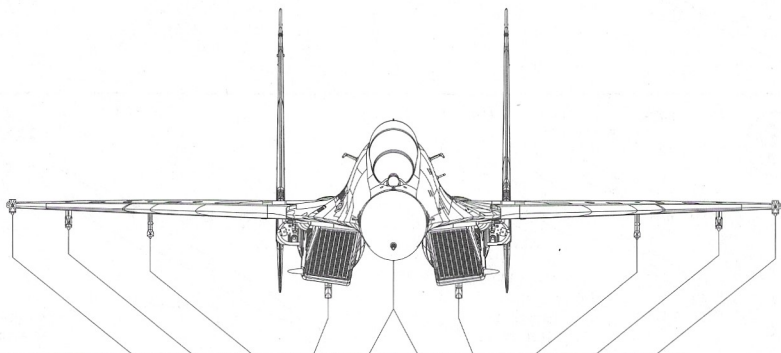
《 R-27ET 》



《 R-27ER 》



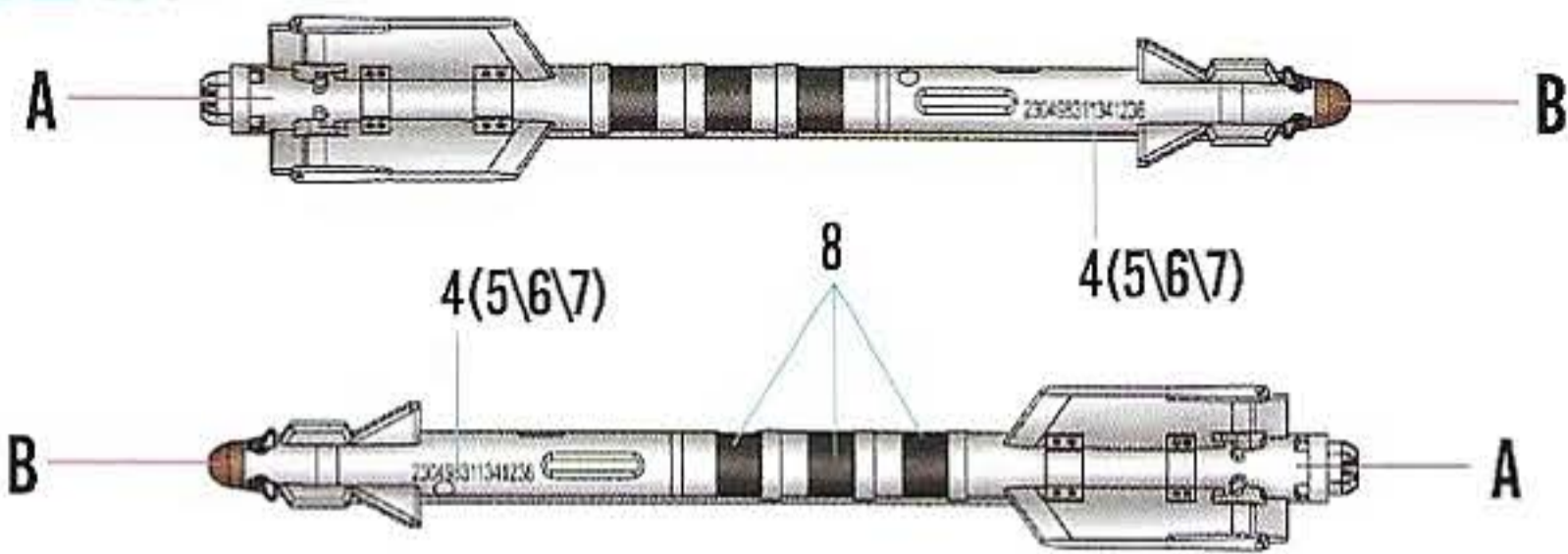
**12**  
STEP



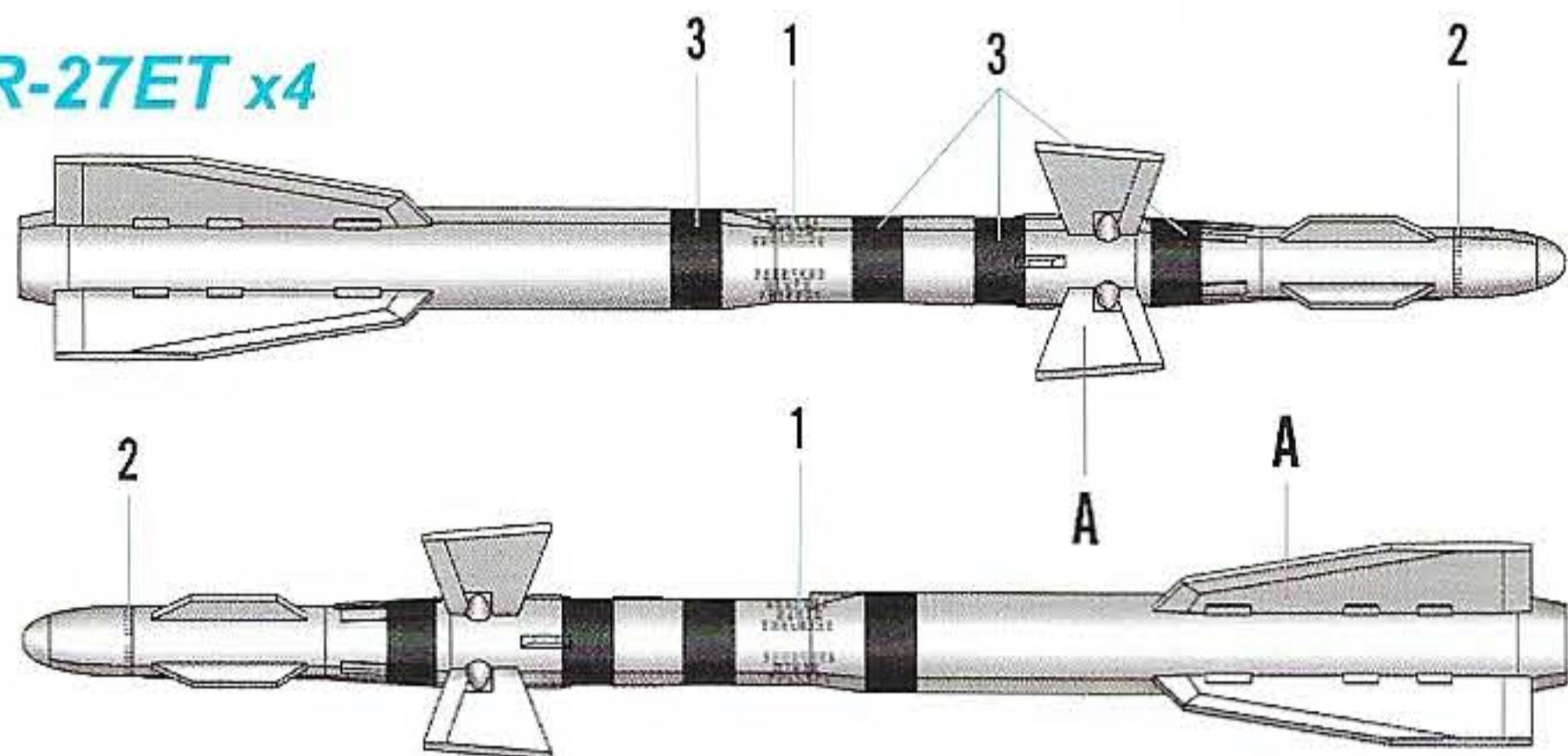
Sta.No.	1	2	3	4	5	6	7	8	9	10
Missile										
R-73E	●	●							●	●
R-77			●	●	●	●	●	●		
R-27R			●	●	●	●	●	●		
R-27T			●	●	●	●	●	●		
R-27ET			●	●	●	●	●	●		
R-27ER			●	●	●	●	●	●		

IV

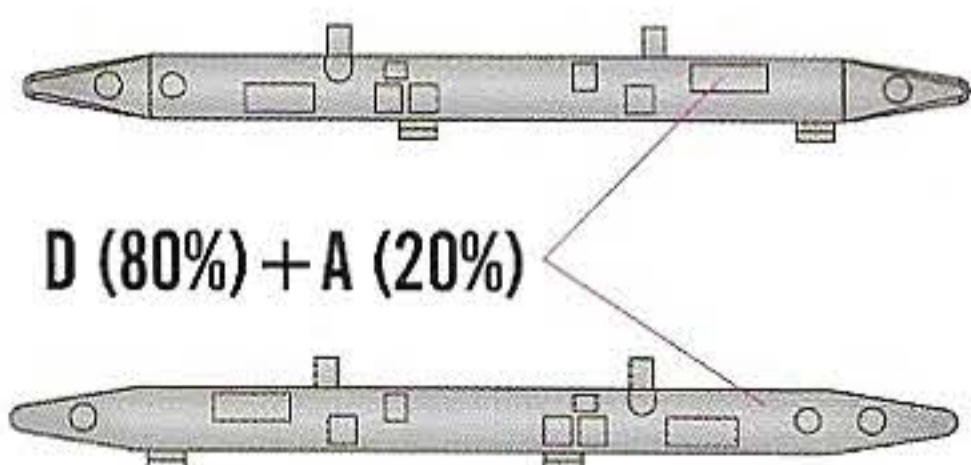
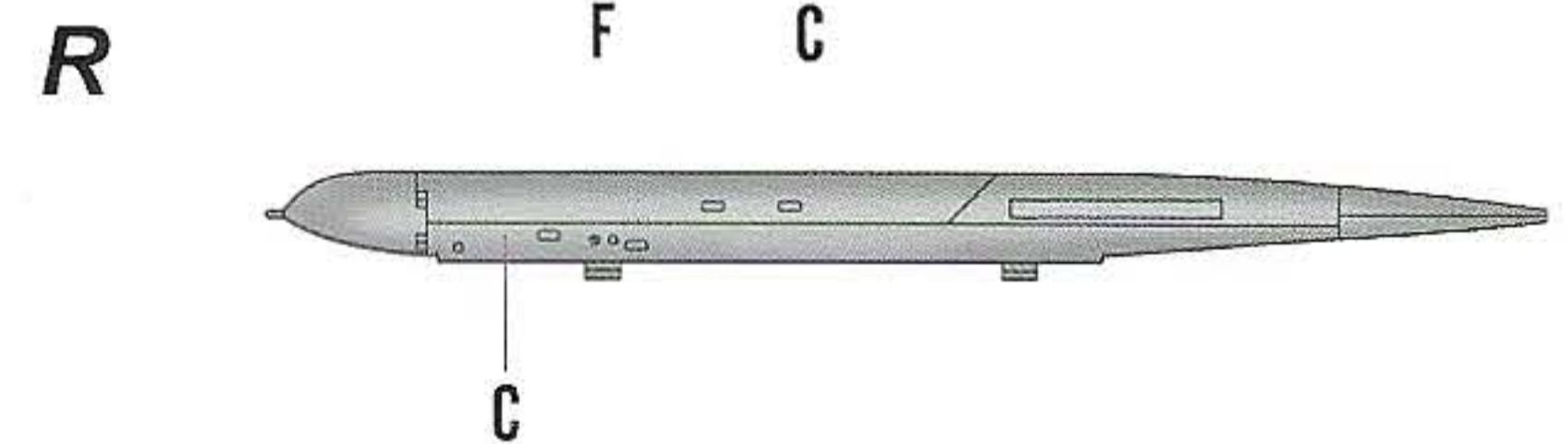
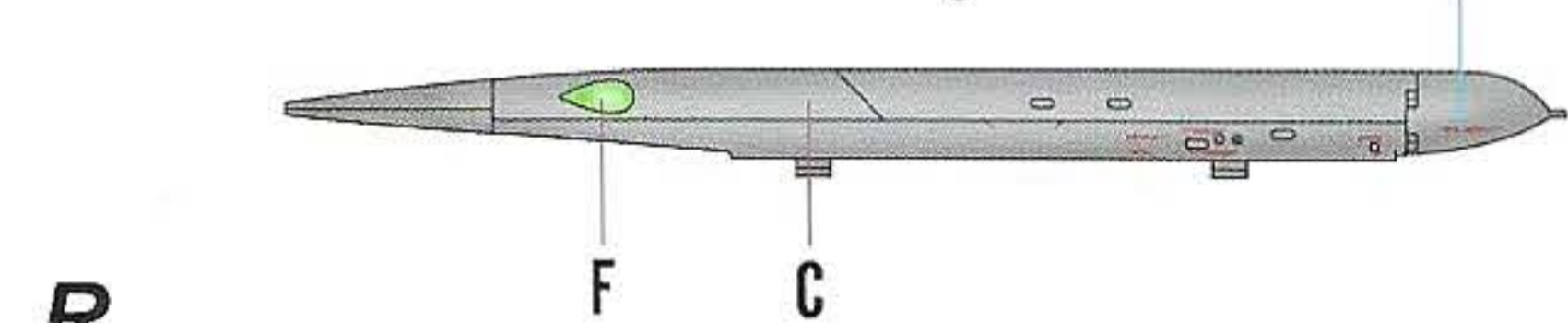
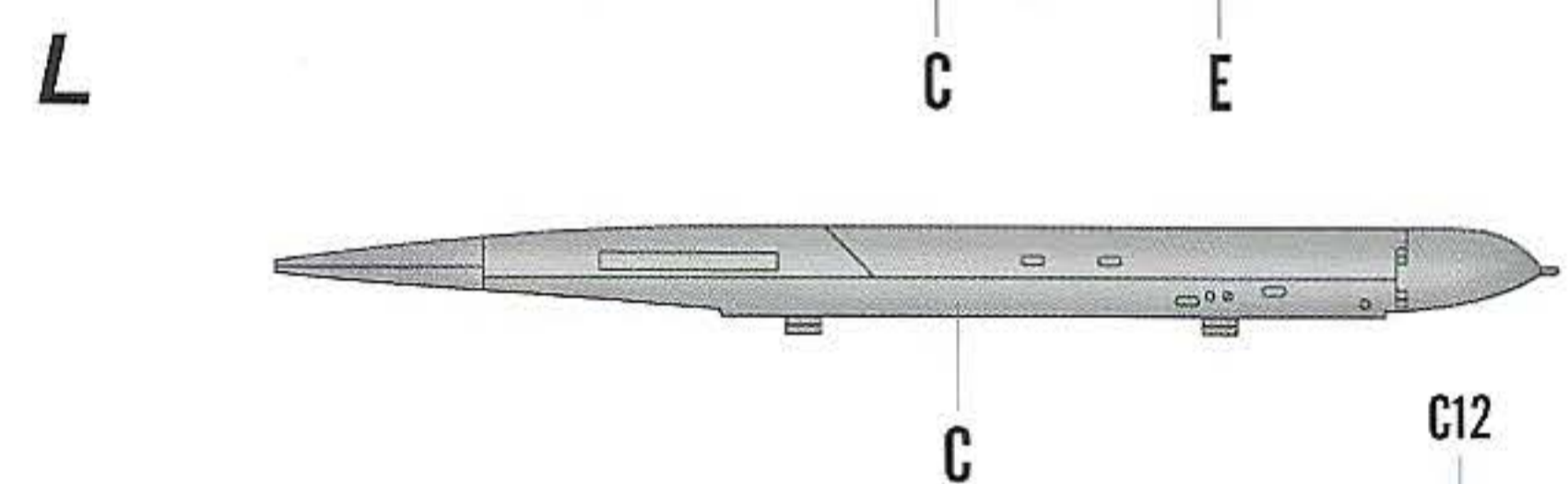
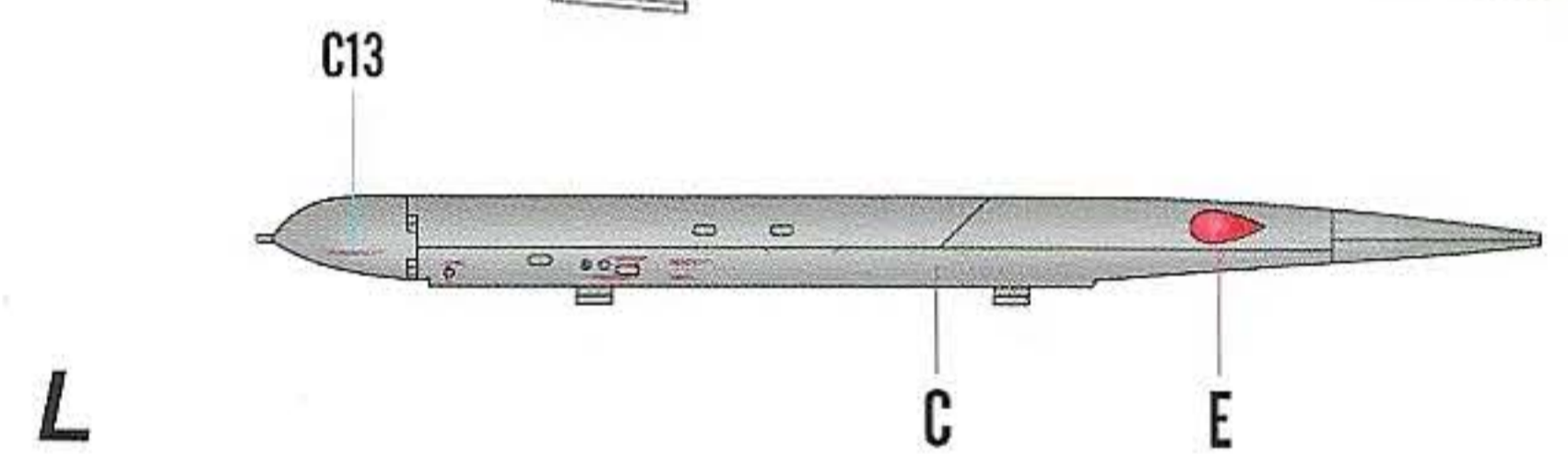
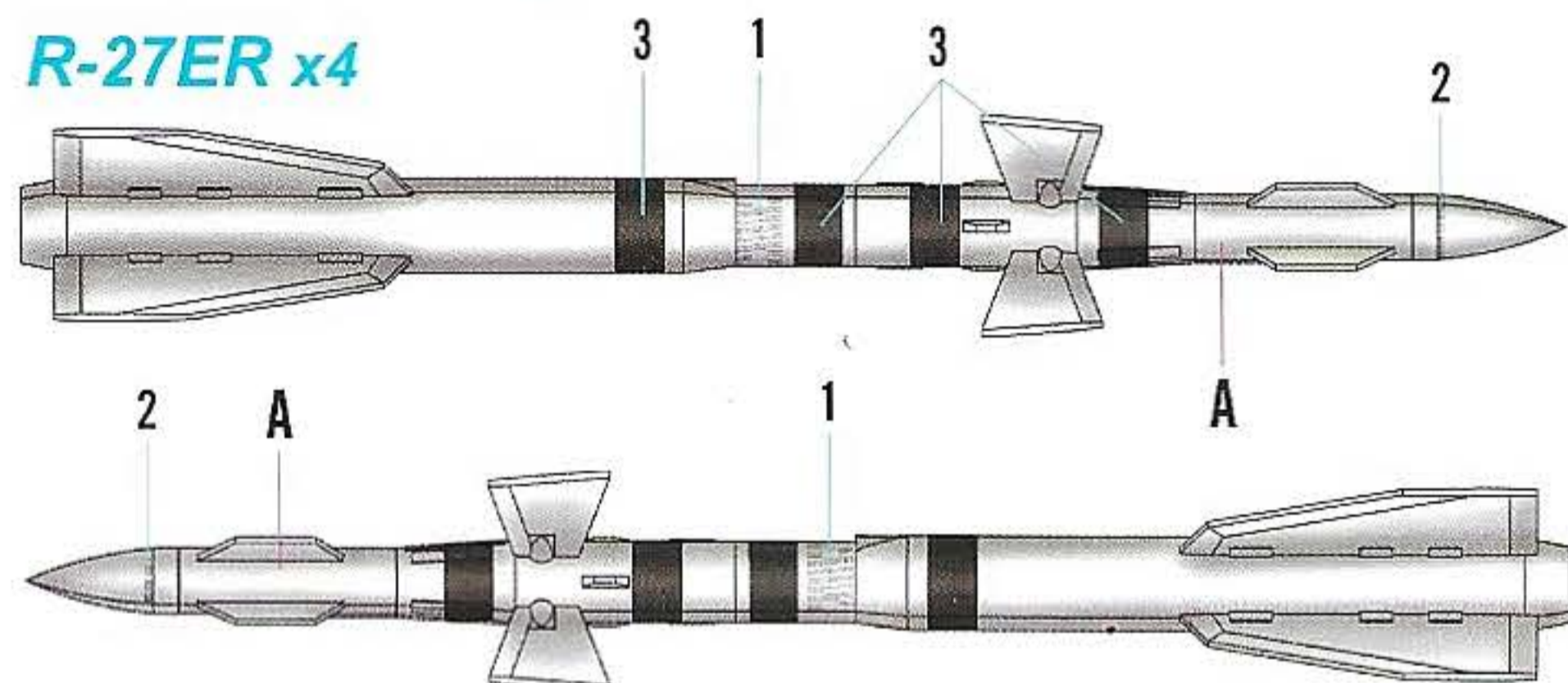
R-73E x4



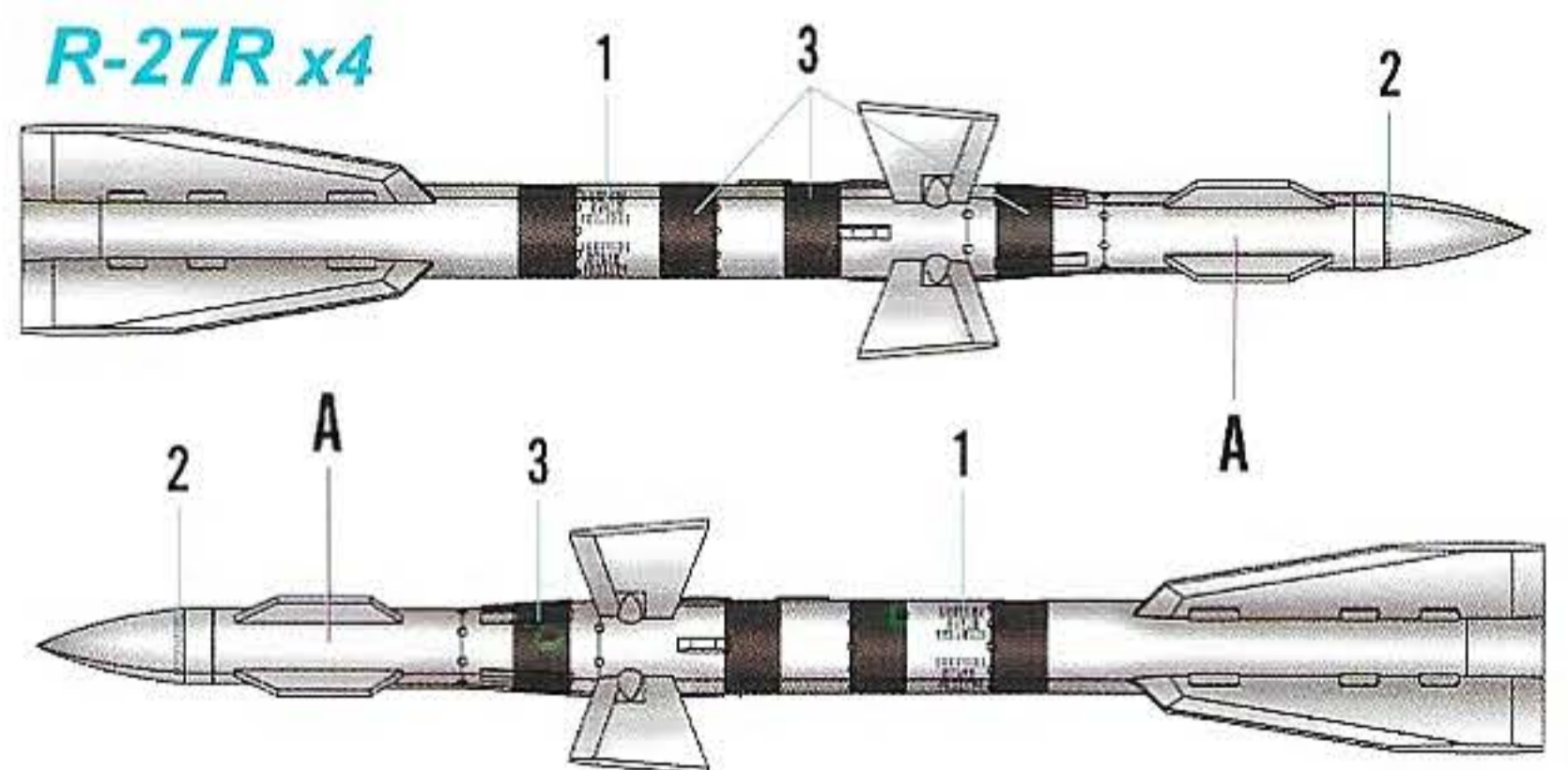
R-27ET x4



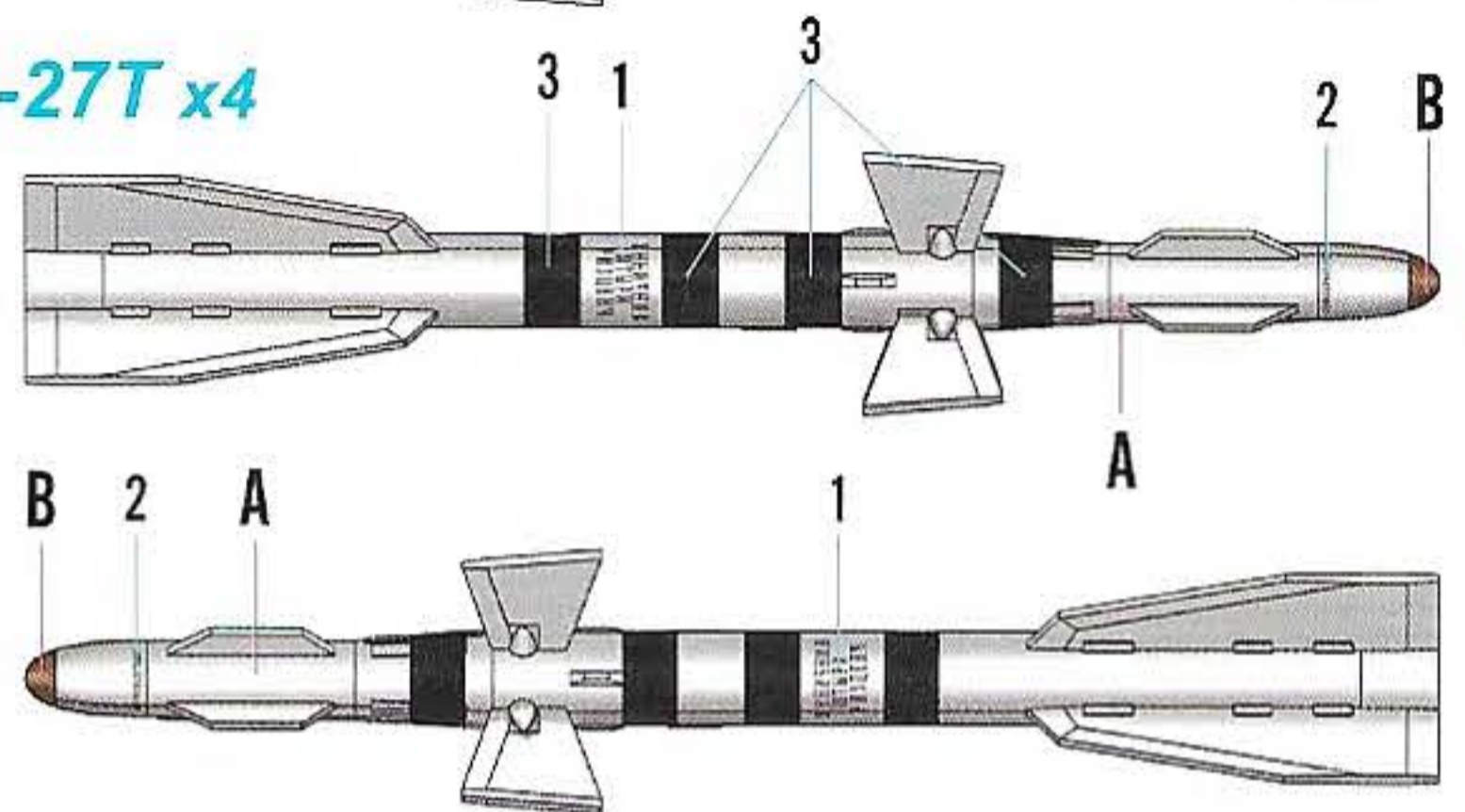
R-27ER x4



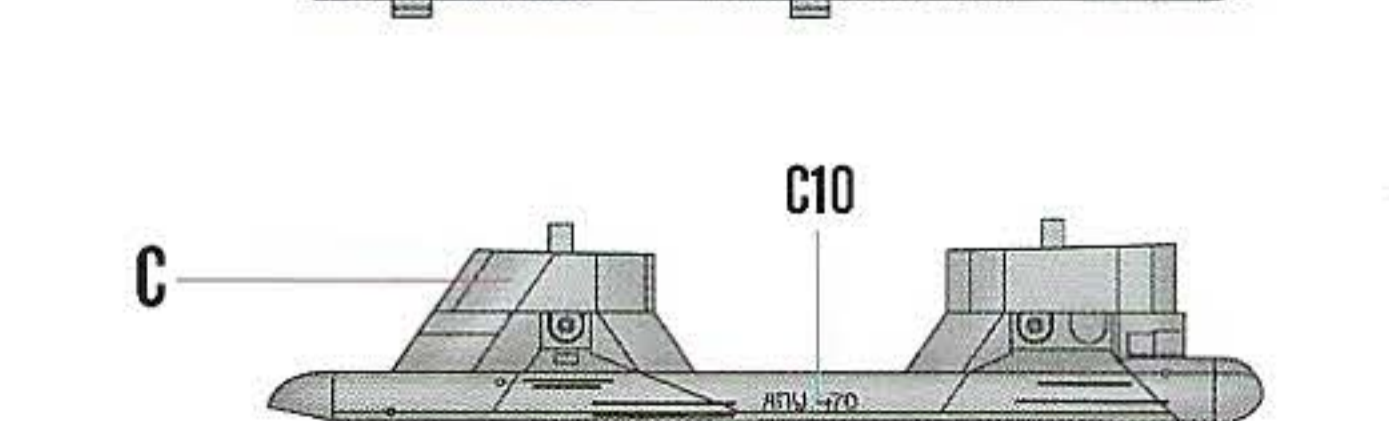
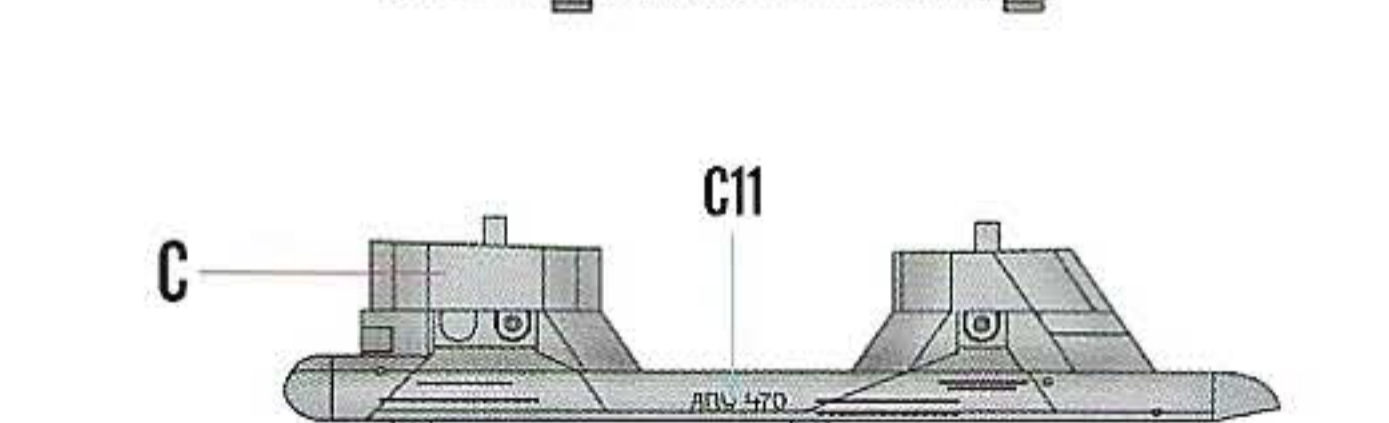
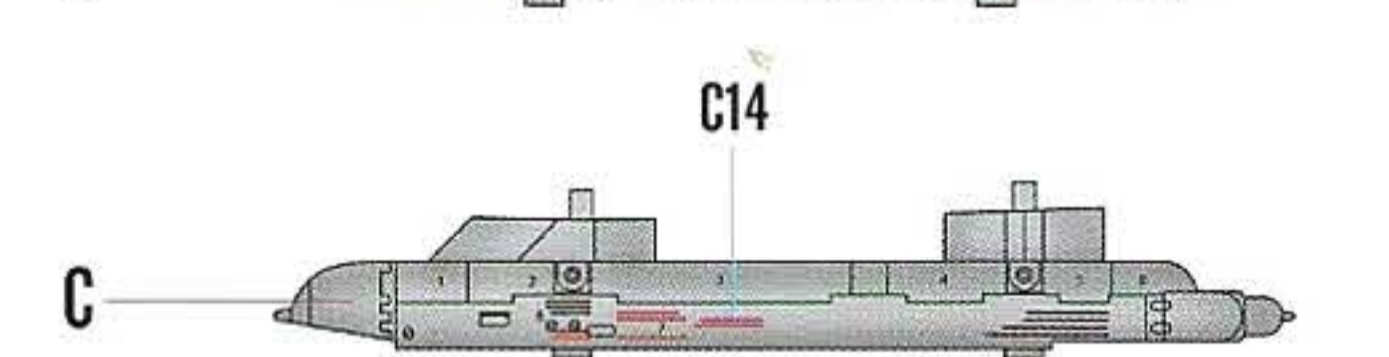
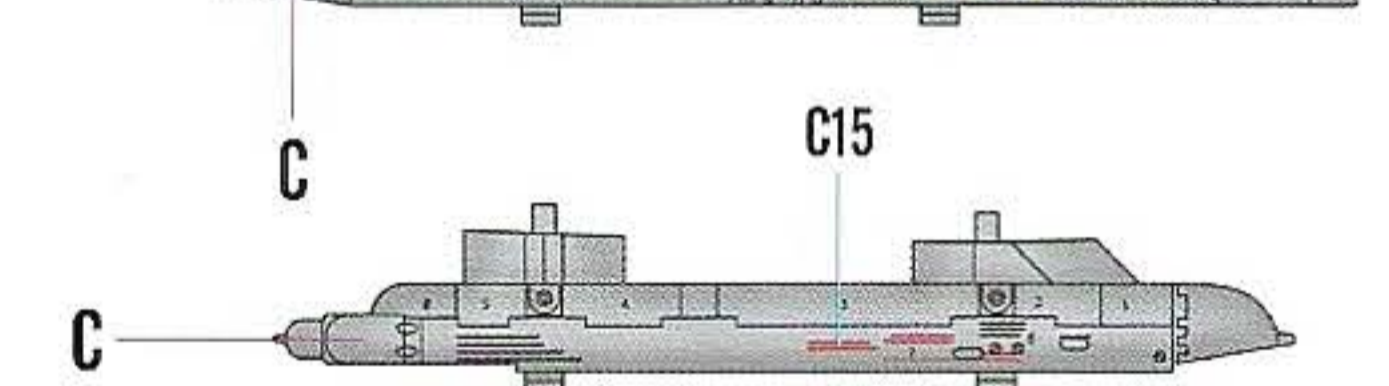
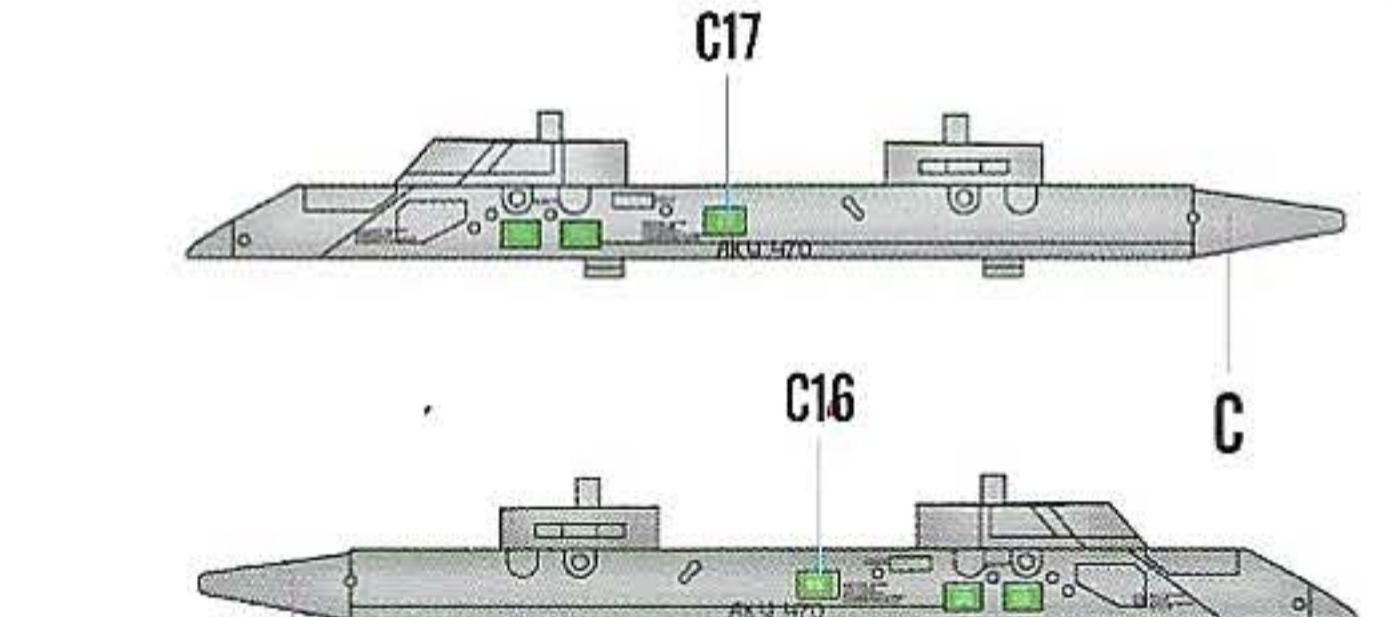
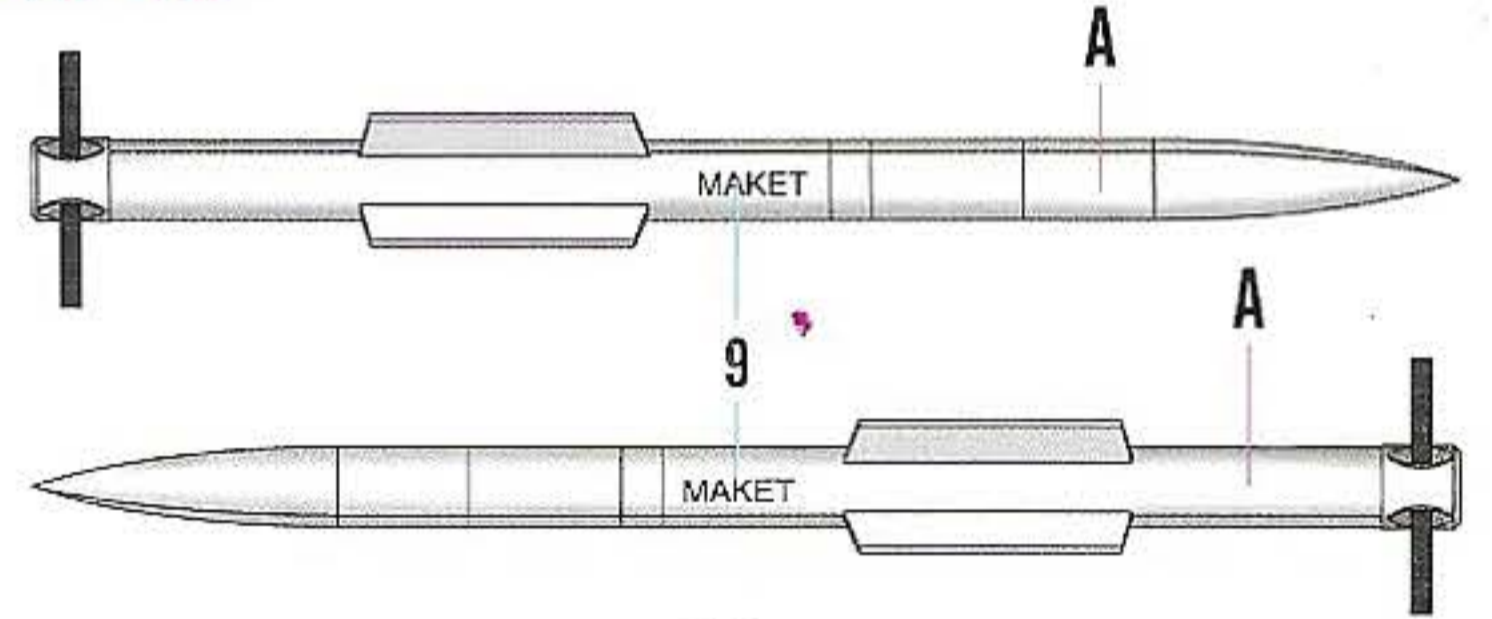
R-27R x4



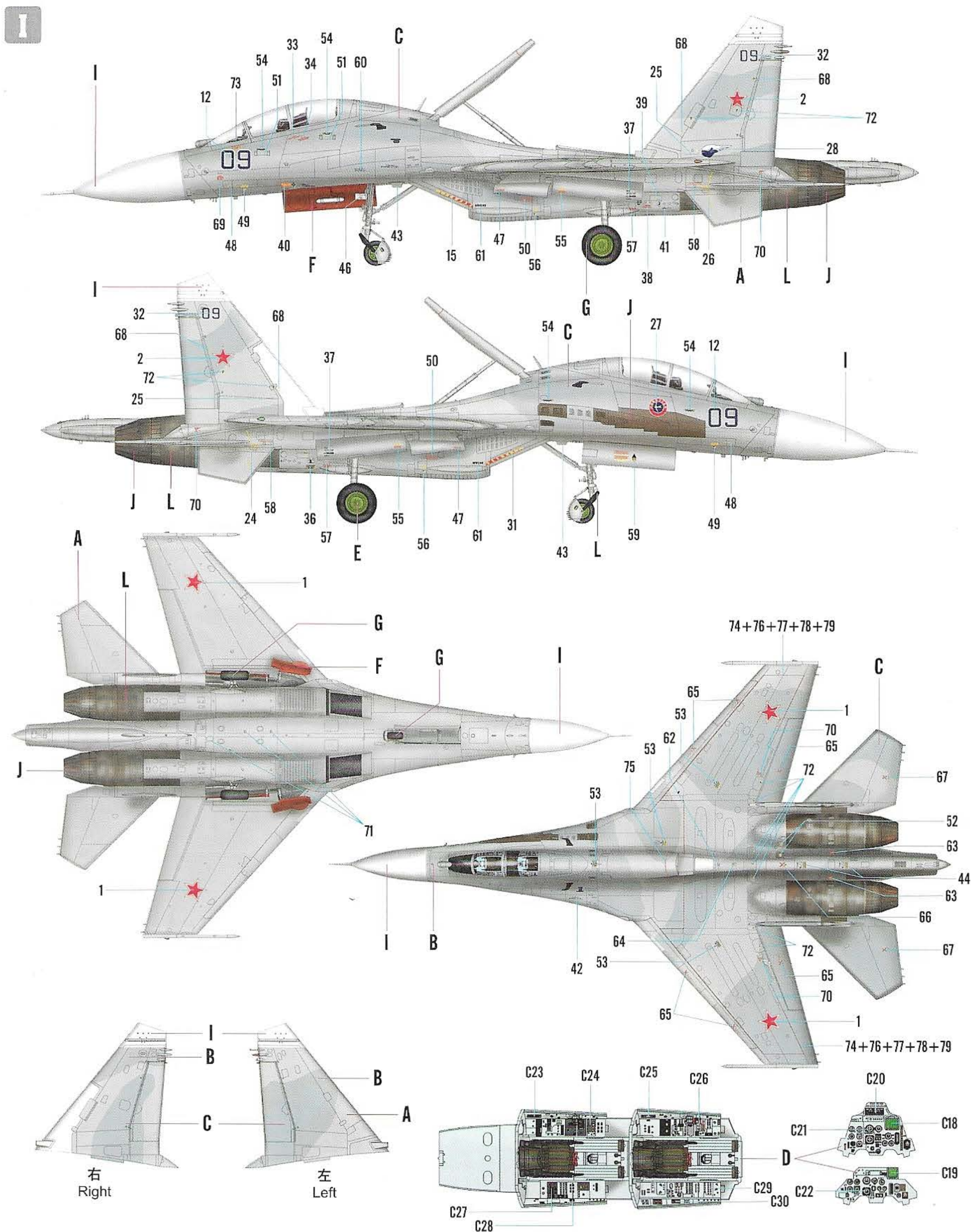
R-27T x4



R-77 x4



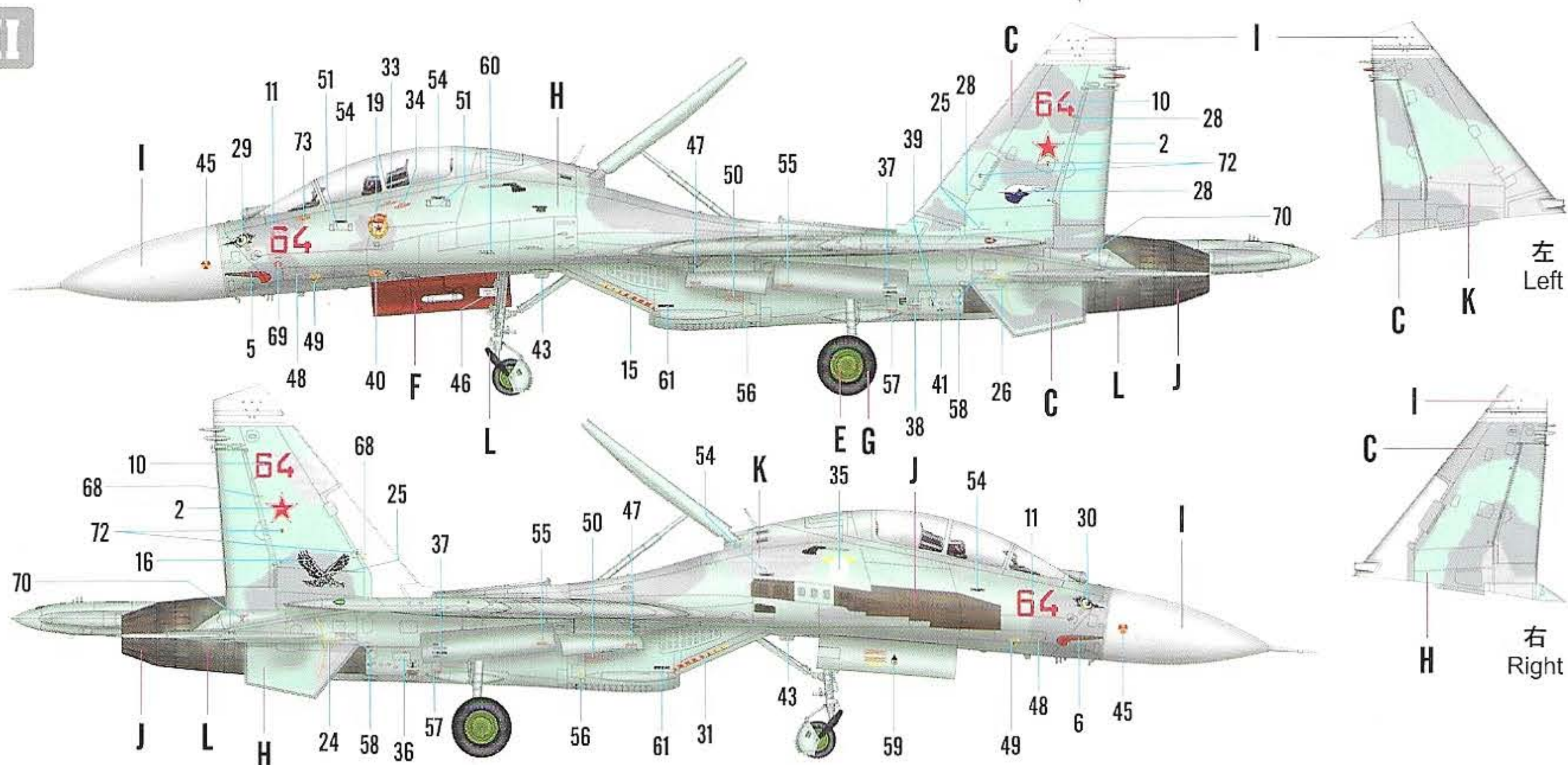
Color	Mr.Hobby	Vallejo	Model Master	Tamiya	Humbrol	Color	Mr.Hobby	Vallejo	Model Master	Tamiya	Humbrol
A 白色 White	H 1 1	842	1745	X2	22	D 灰色 Gray	H 308 308	990	1728	XF19	127
B 烟灰色 Smoke Gray	H 95 101	--	--	--	--	E 透明红 Clear Red	H 90 47	934	--	X27	--
C 浅灰蓝 Pearl Grey	H 74	--	--	--	--	F 透明绿 Clear Green	H 94	--	--	--	--



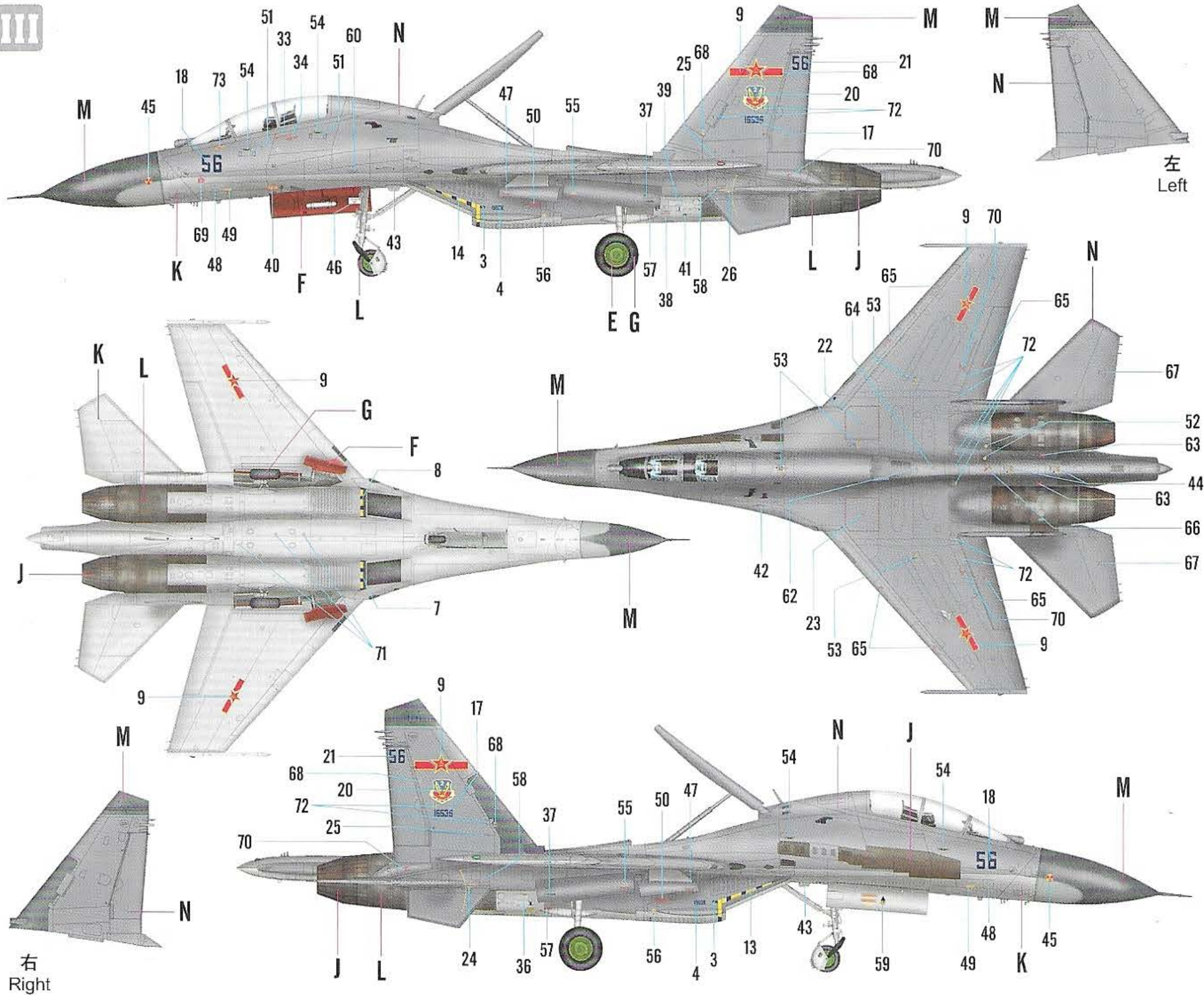
Color	Mr.Hobby	Vallejo	Model Master	Tamiya	Humbrol	Color	Mr.Hobby	Vallejo	Model Master	Tamiya	Humbrol
<b>A</b> 灰蓝色 Intermediate Blue	H[56 72]	903	1720	--	144	<b>E</b> 薄松叶色 Light Green	H[319 319]	--	1713	--	117
<b>B</b> 灰白色 Aircraft Gray	H[57 73]	--	--	--	--	<b>F</b> 红色 Red	H[3 3]	908	1503	X7	19
<b>C</b> 浅灰蓝 Pearl Grey	H[74]	--	--	--	--	<b>G</b> 胎黑色 Tire Black	H[77 137]	--	--	--	--
<b>D</b> 浅兰色 RLM76 Light Blue	H[117]	907	1731	--	146	<b>H</b> 兰色 Light Blue	H[314 314]	--	1722	--	--

\* Some paints may not be available in your country. Please check your local hobby shop for substitute

II



III



Color	Mr.Hobby	Vallejo	Model Master	Tamiya	Humbrol	Color	Mr.Hobby	Vallejo	Model Master	Tamiya	Humbrol
I 白色 White Insignia	H[316 316]	991	1745	X2	22	L 黑铁色 Steel	H[18 23]	864	1402	--	--
J 烧铁色 Burnt Iron	H[76 61]	863	1795	X10	53	M 灰色 Medium Gunship Grey	H[305 305]	868	1723	XF58	125
K 明灰白(1) Ijn Gray	H[61 35]	907	1731	--	146	N 浅灰兰 Gray Blue	H[337 337]	--	1721	XF20	145

※ Some paints may not be available in your country. Please check your local hobby shop for substitute