

List All Images [Share](#) [Tweet](#)

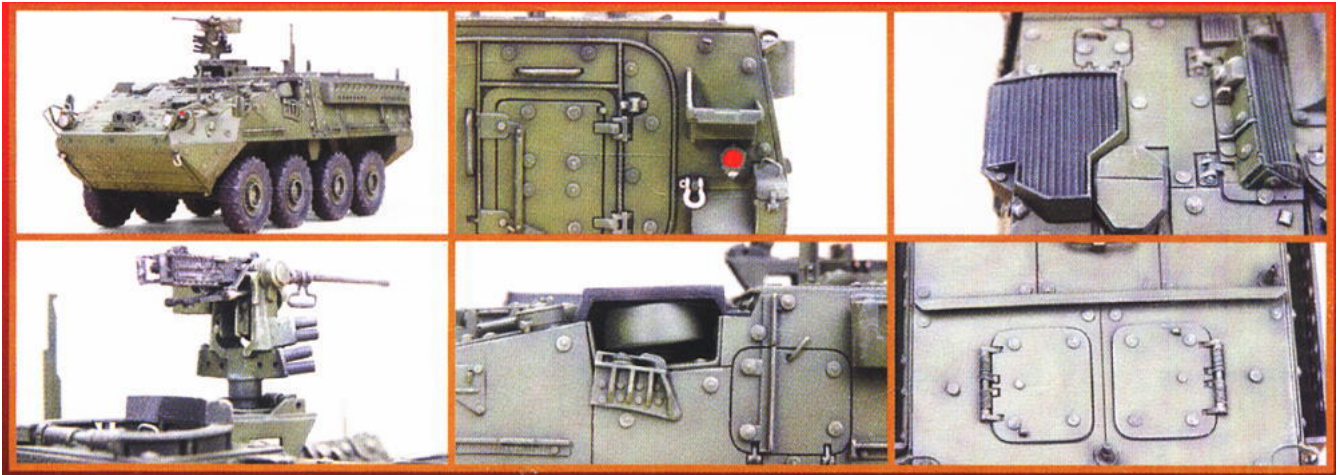
M1126 Stryker Infantry Carrier Vehicle (ICV)

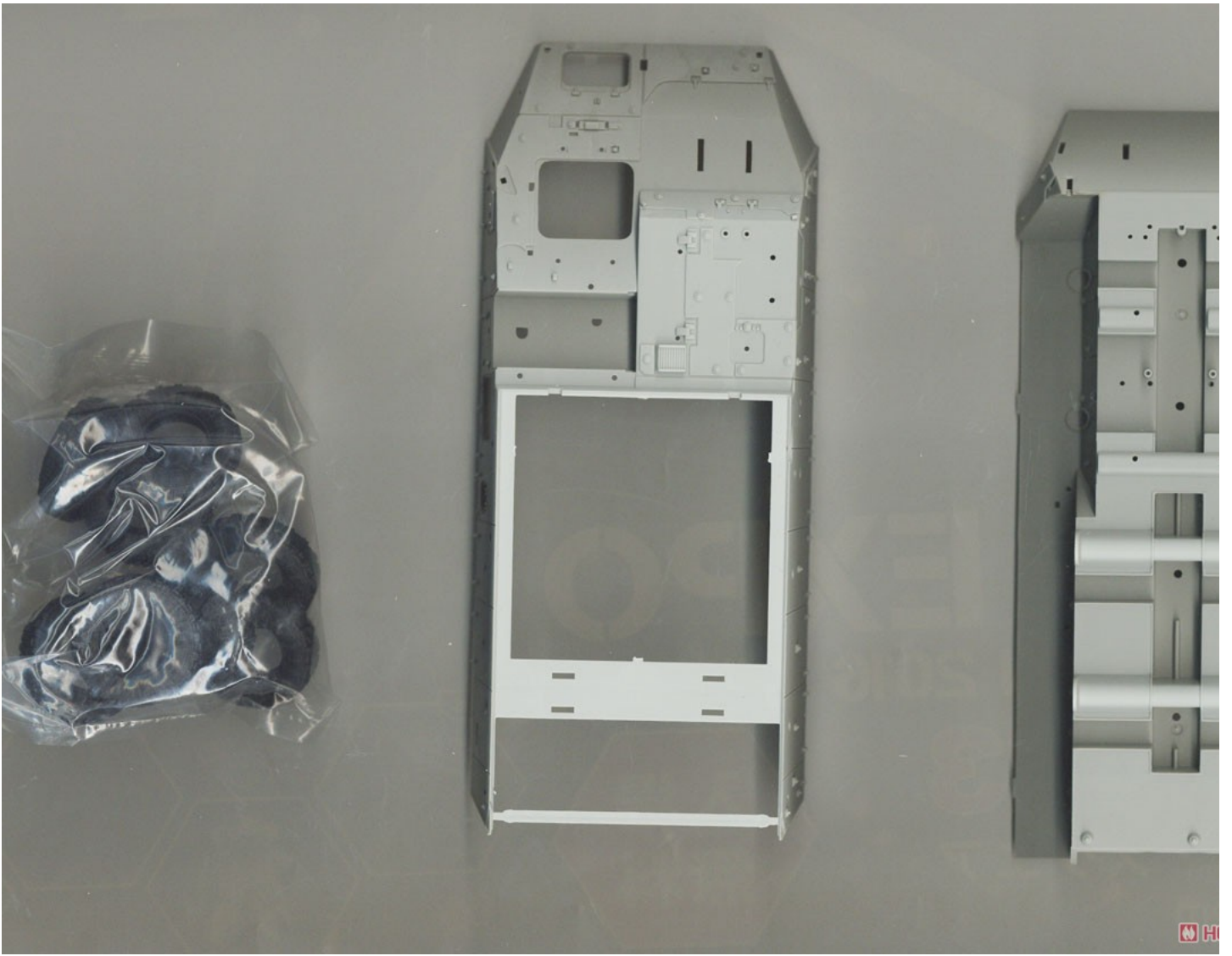
1/35
SCALE

M1126 “斯崔克” 装甲运输车



Detailed scale kit for adult collectors to assemble.
Actual model may vary from image on box.
WARNING! Not for children under 3 years due to small parts.
警告! 内含小零件, 严禁3岁以下儿童使用。本产品与包装图形所示略有不同!







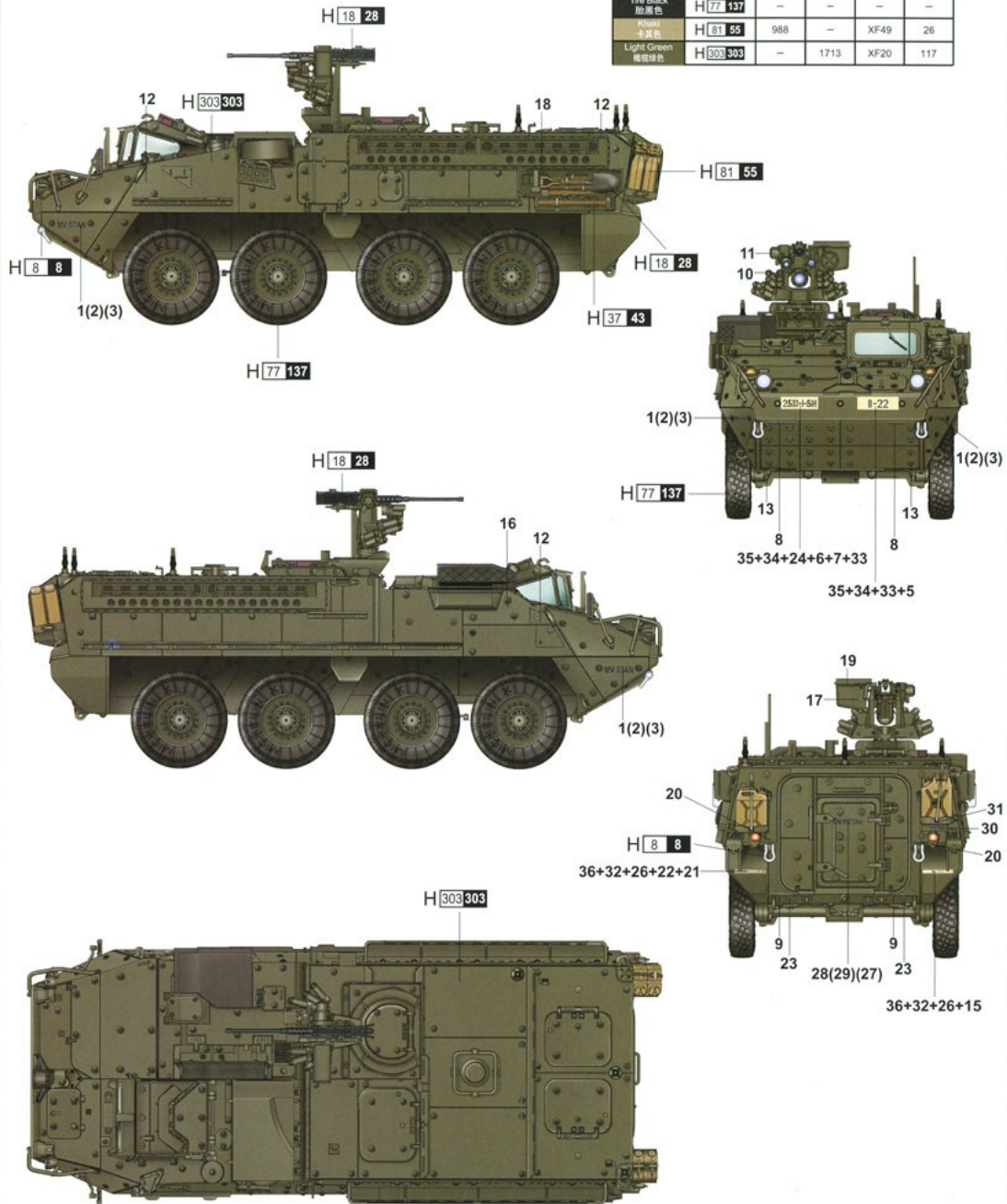




Color	Mr.Hobby	Vallejo	Model Master	Tamiya	Humbrol
Silver 银色	H 8 8	997	1546	X11	11
Metal Black 黑铁色	H 18 28	864	1402	-	-
Wood Brown 木棕色	H 37 43	983	1701	-	186
Tire Black 胎黑色	H 77 137	-	-	-	-
Khaki 卡其色	H 81 55	988	-	XF49	26
Light Green 橄榄绿色	H 303 303	-	1713	XF20	117

涂装同标贴指示
Painting & Marking guide

Color	Mr.Hobby	Vallejo	Model Master	Tamiya	Humbrol
Silver 银色	H 8 8	997	1546	X11	11
Metal Black 黑铁色	H 18 28	864	1402	—	—
Wood Brown 木棕色	H 37 43	983	1701	—	186
Tire Black 胎黑色	H 77 137	—	—	—	—
Khaki 土黄色	H 81 95	988	—	XF49	26
Light Green 橄榄绿色	H 303 303	—	1713	XF20	117

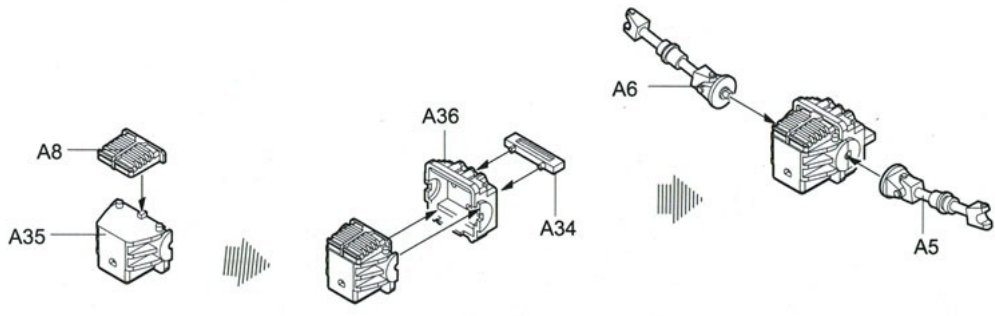


□ AQUEOUS HOBBY COLOR ■ Mr. COLOR

00375 1/35 M1126 "Stryker"(ICV)

HOBBY SEARCH

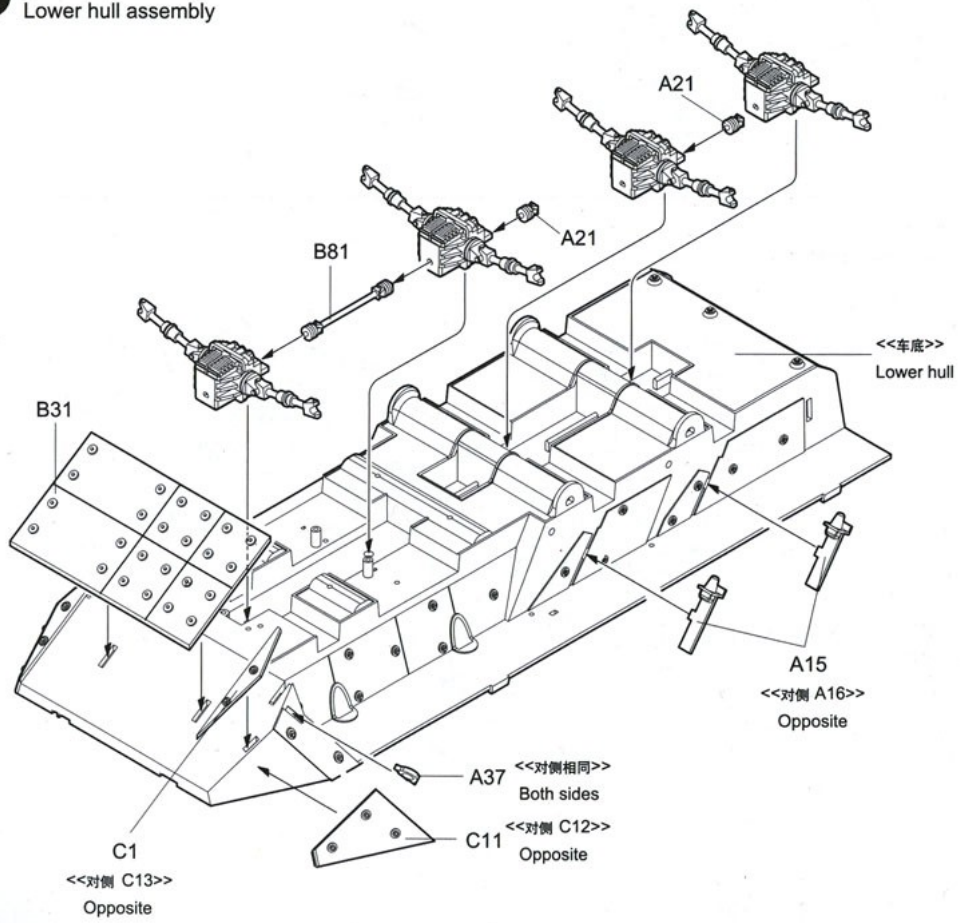
1



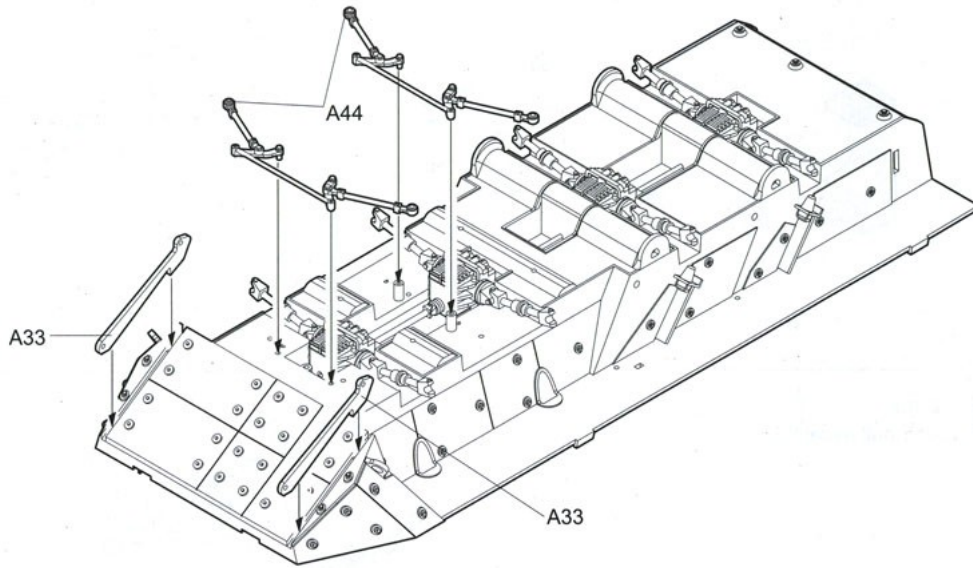
制作4组
Make four

2

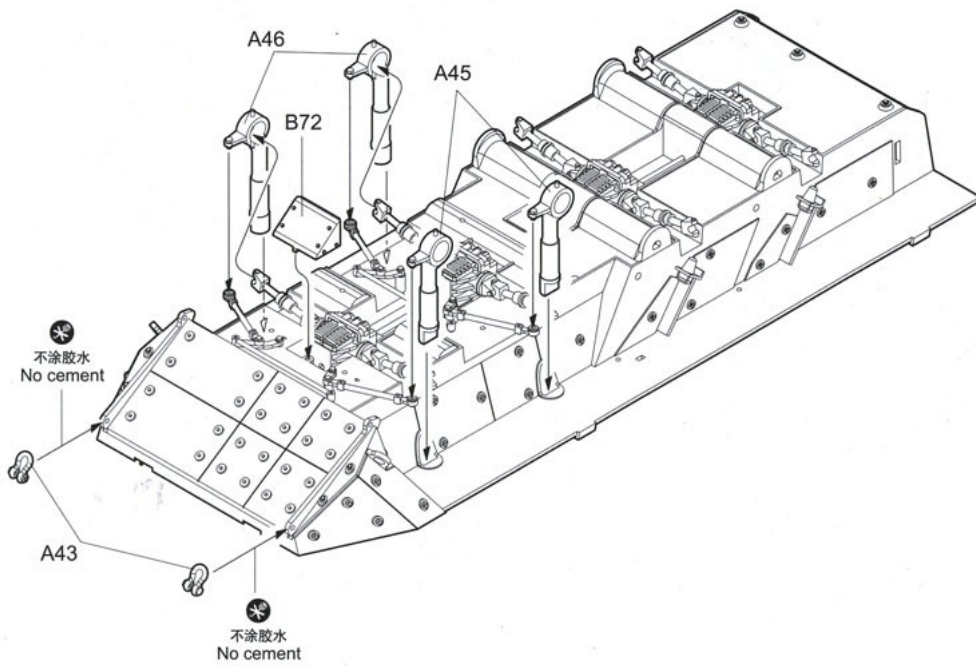
车底组装
Lower hull assembly



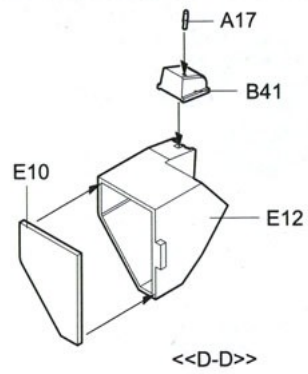
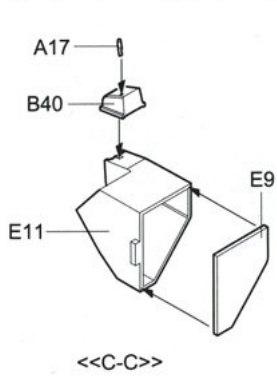
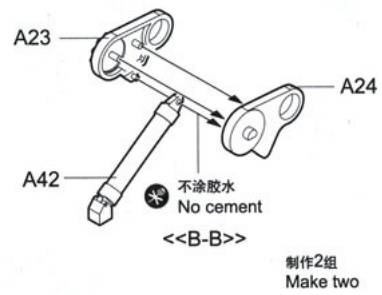
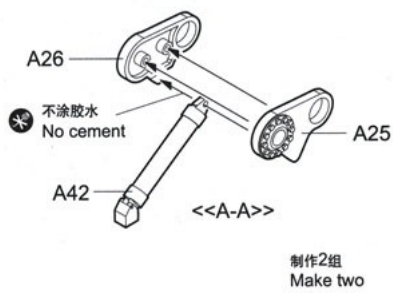
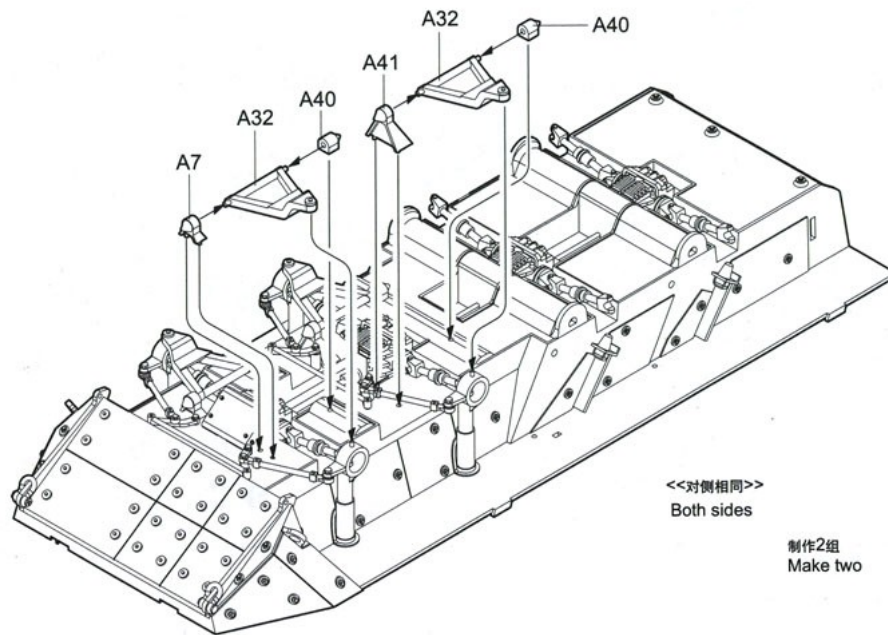
3 车底组装
Lower hull assembly



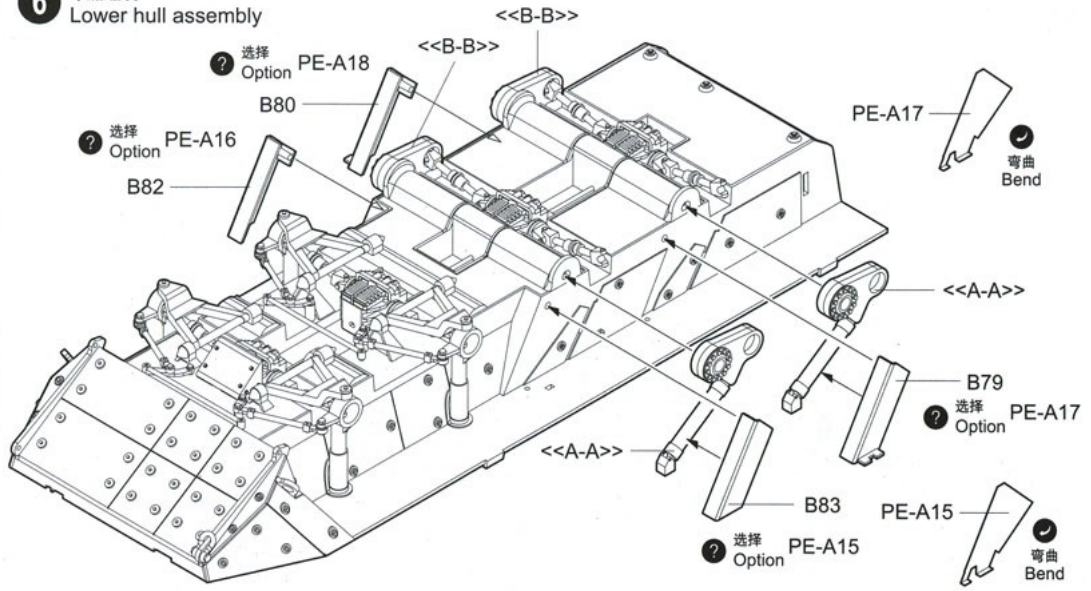
4 车底组装
Lower hull assembly



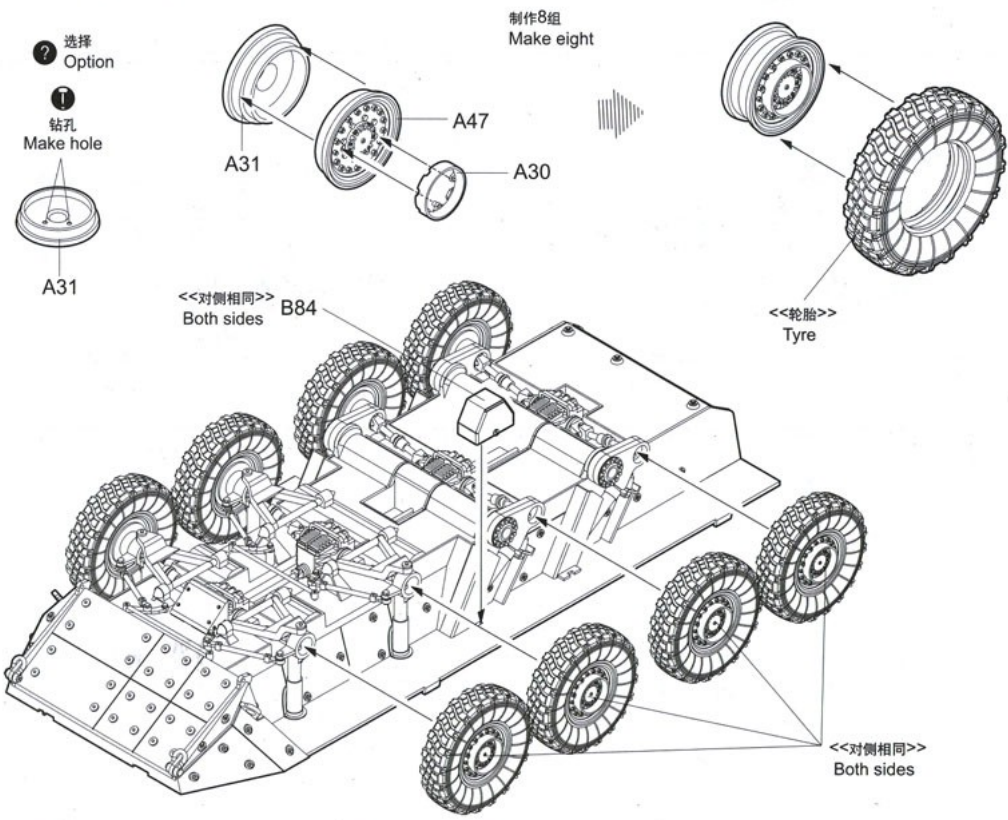
5 车底组装
Lower hull assembly



6 车底组装
Lower hull assembly



7 车轮安装
Wheel installation

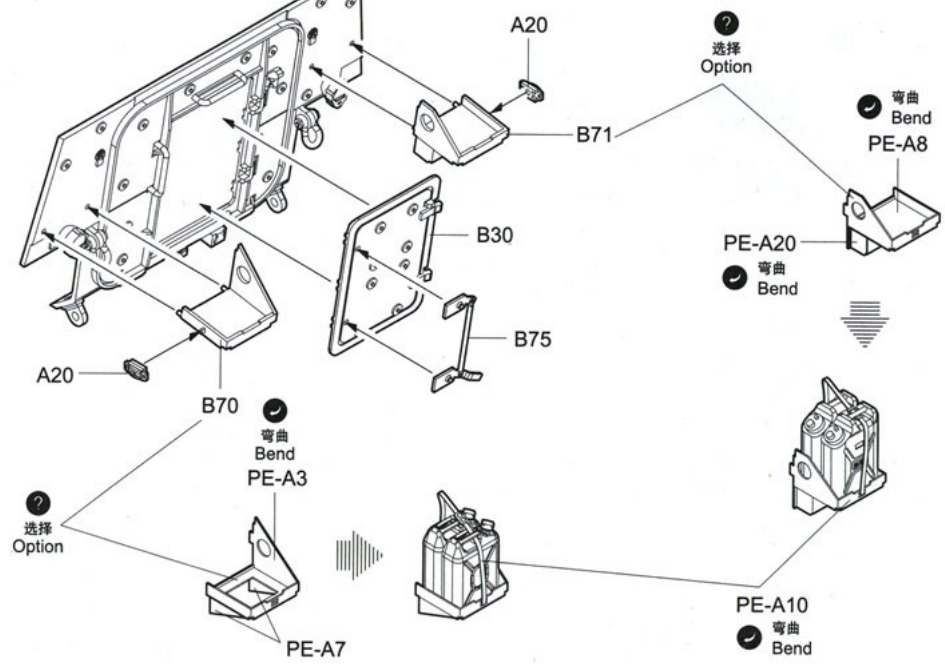
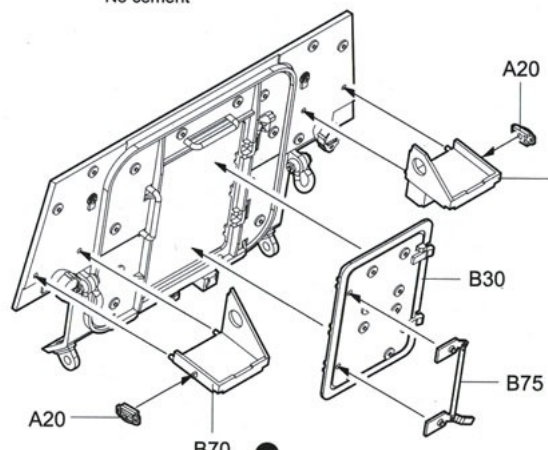
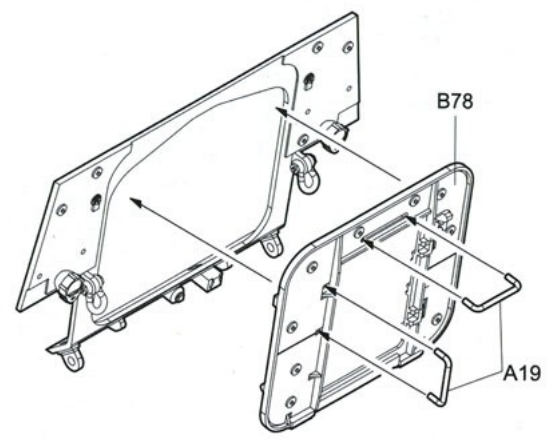
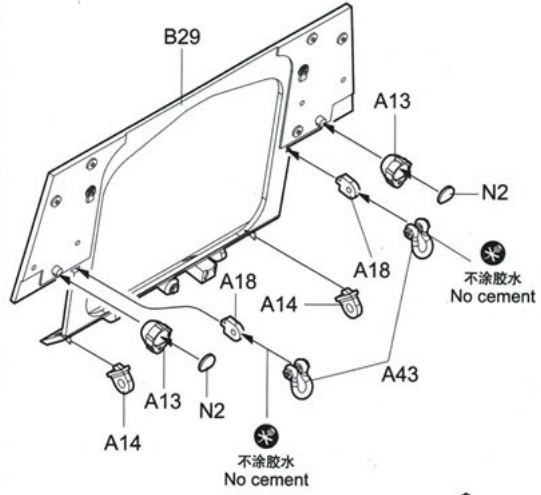


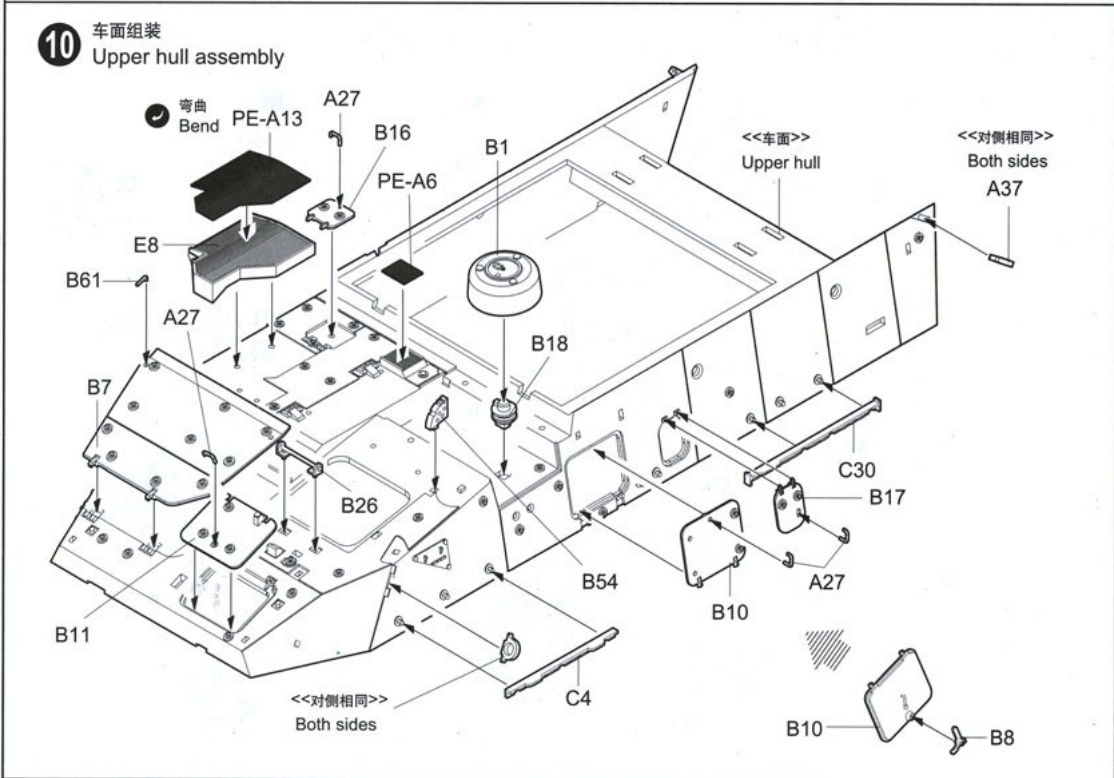
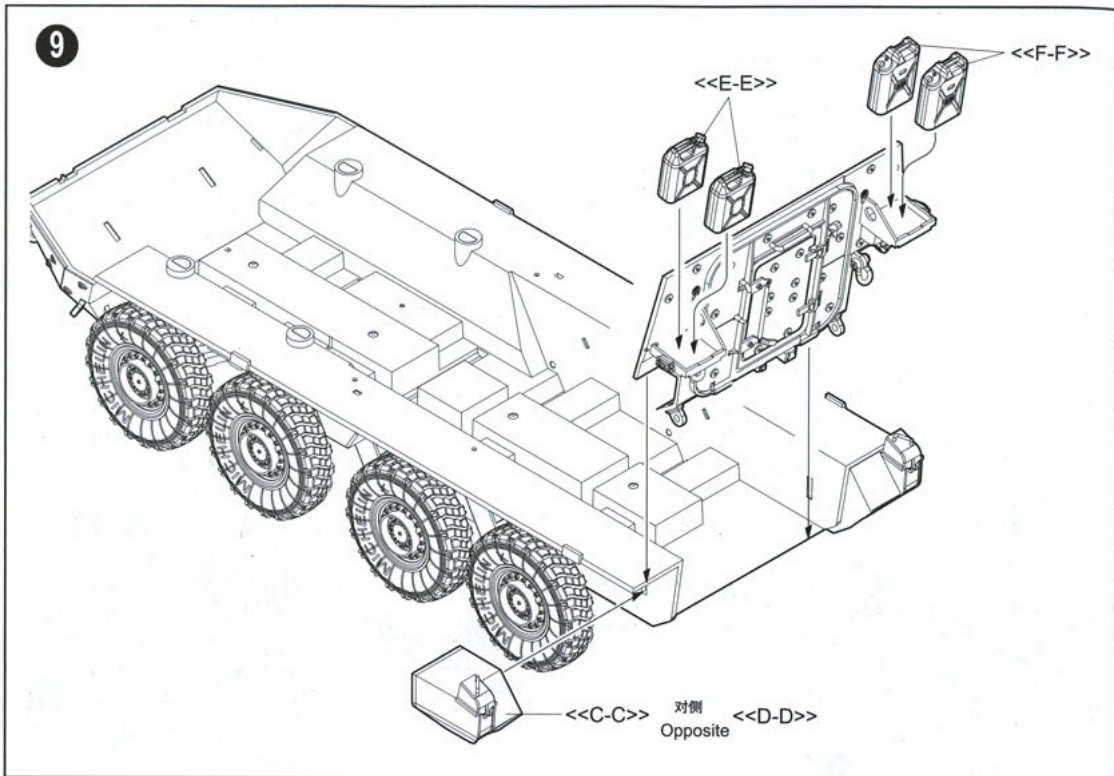
8

<<E-E>>

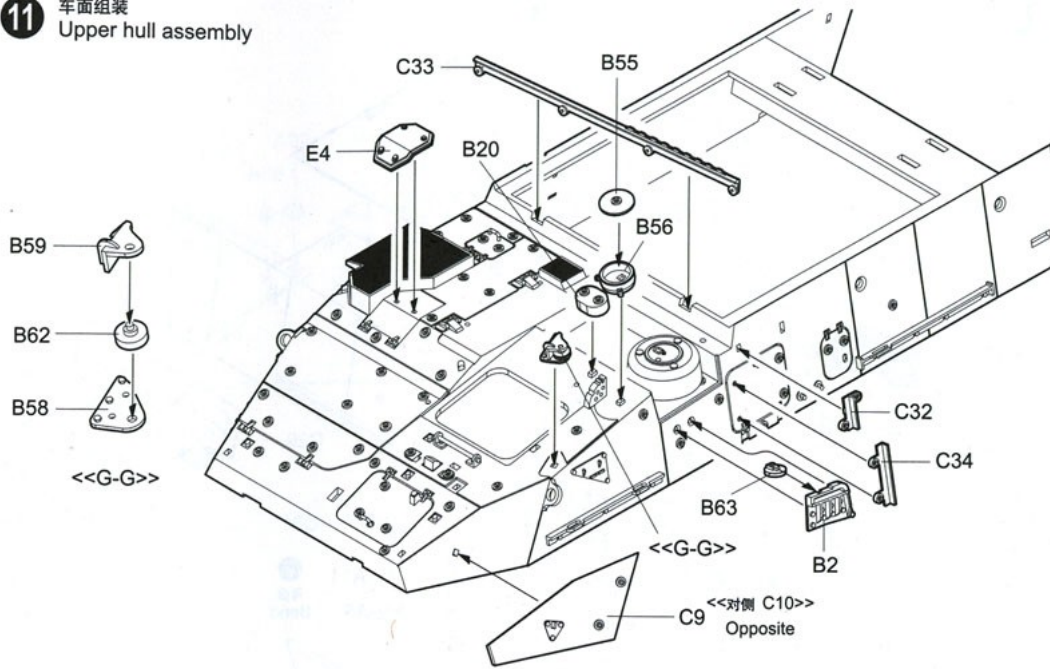


<<F-F>>

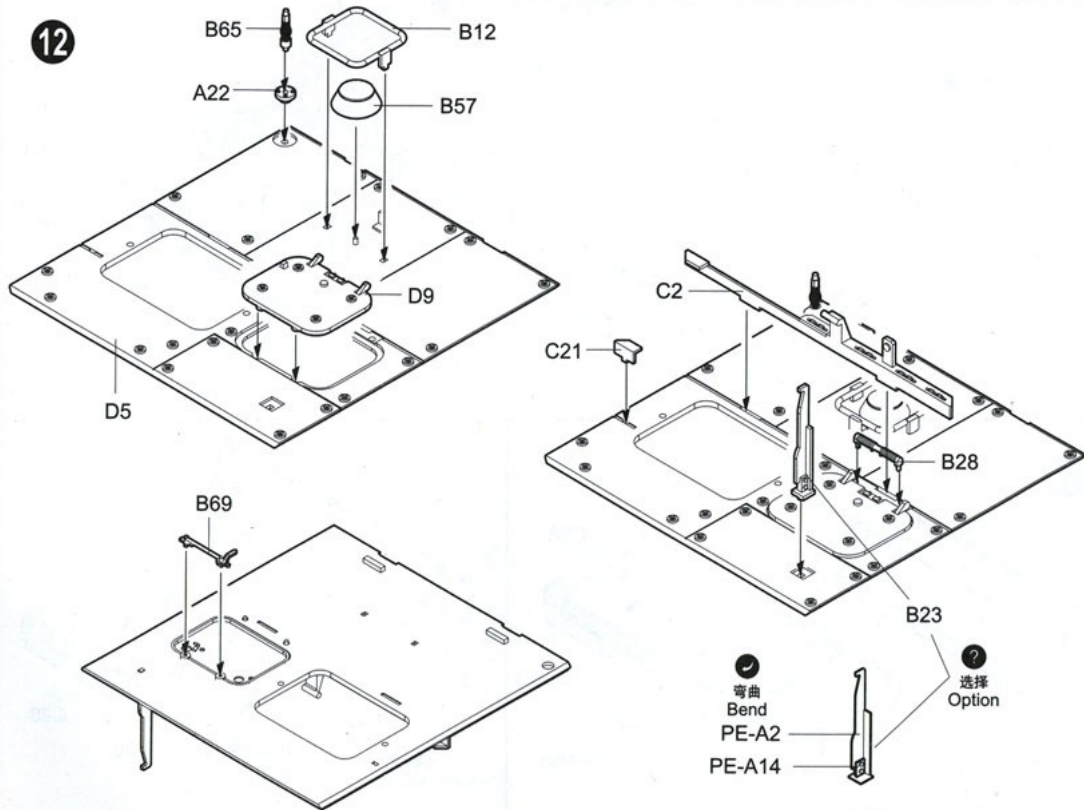




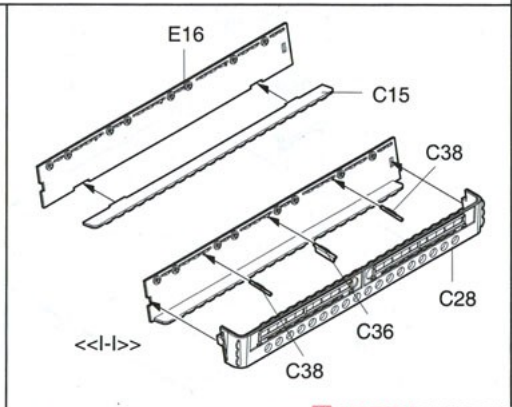
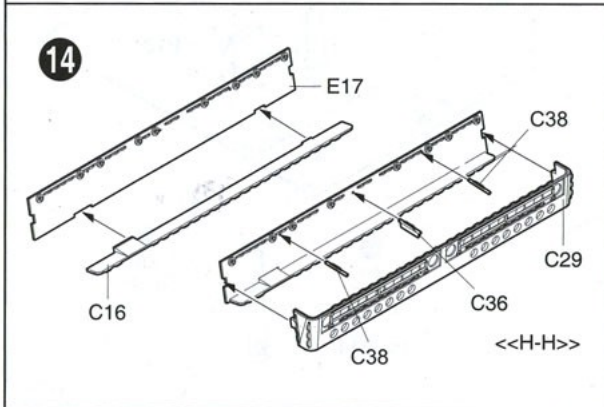
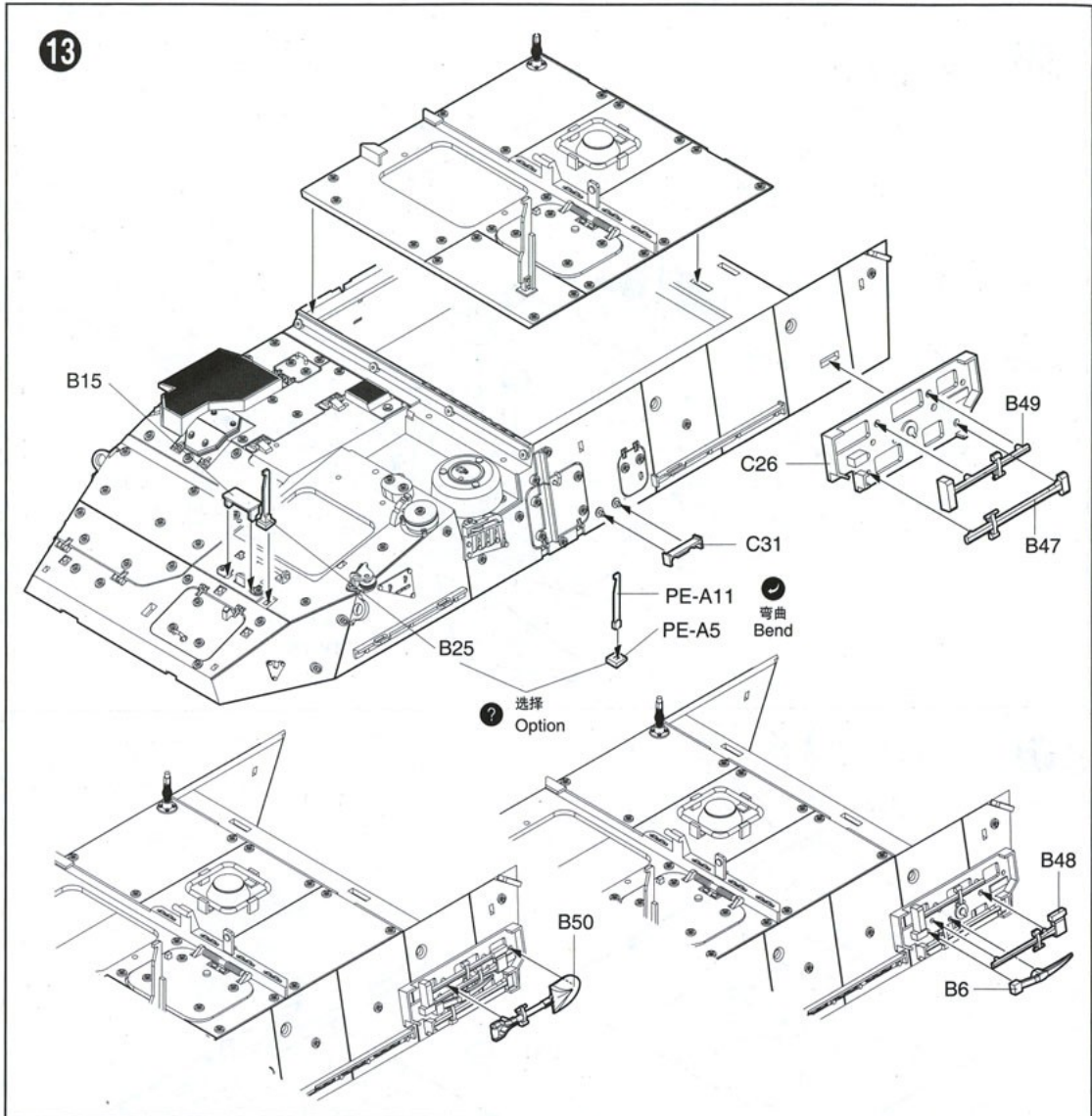
11 车面组装
Upper hull assembly



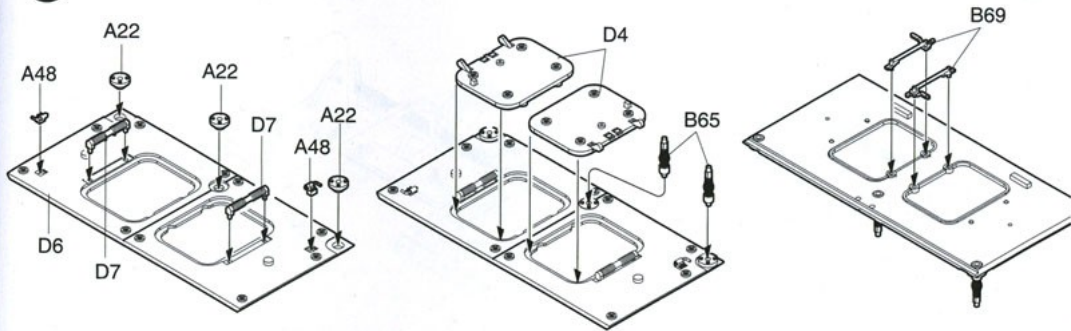
12



00375

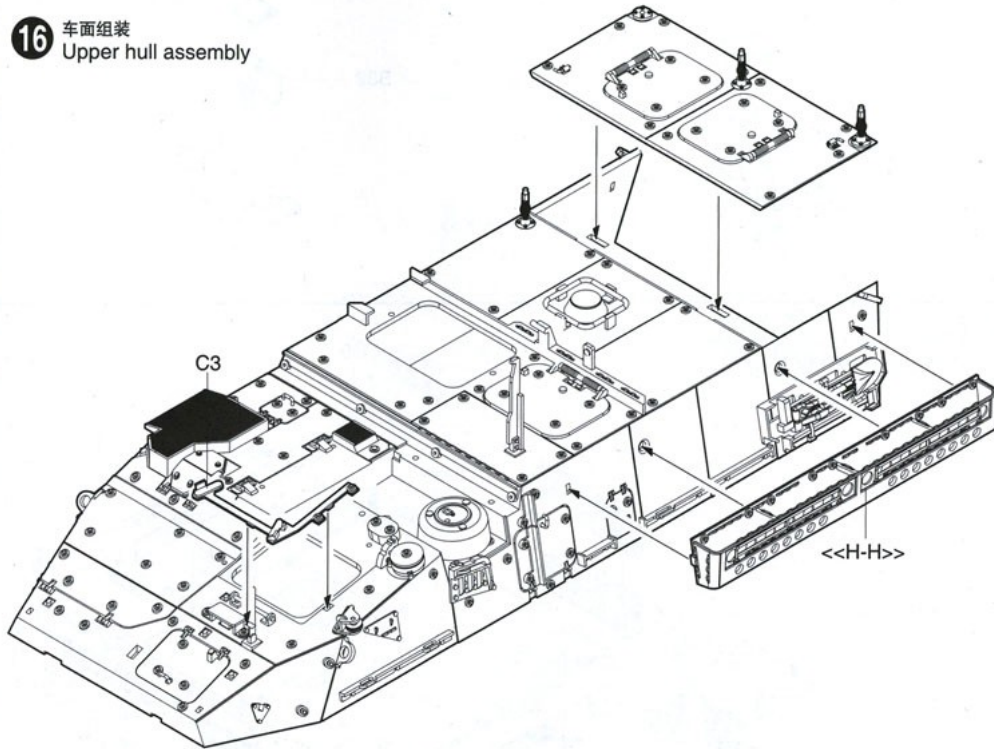


15

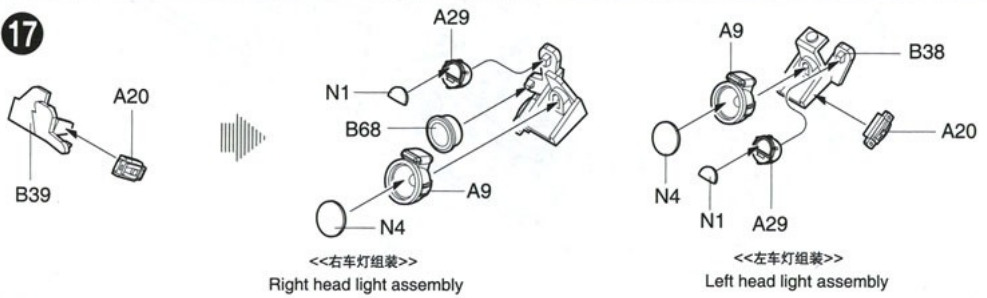


16

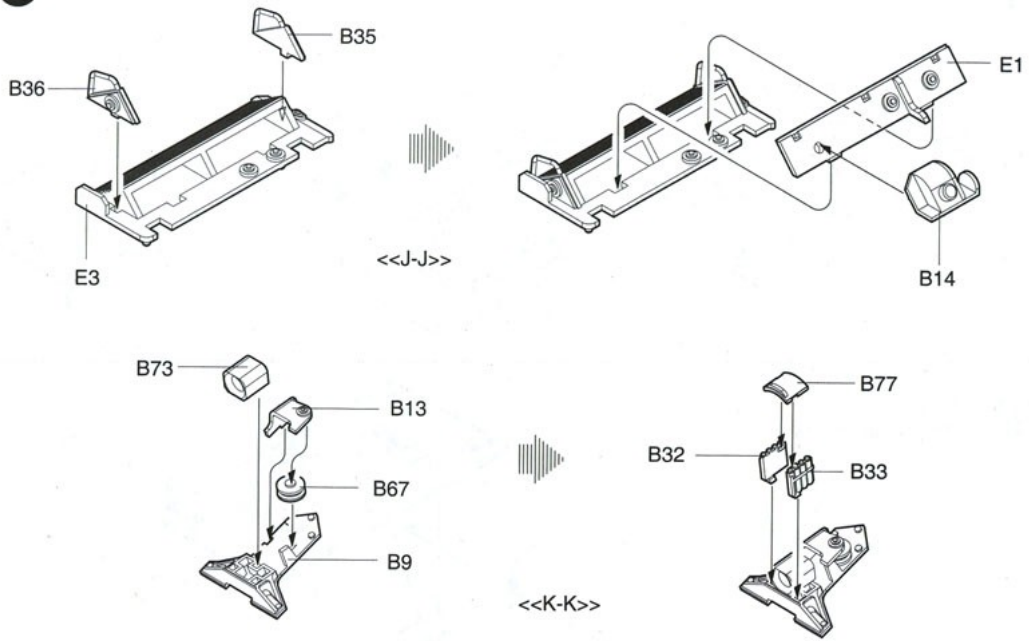
车面组装
Upper hull assembly



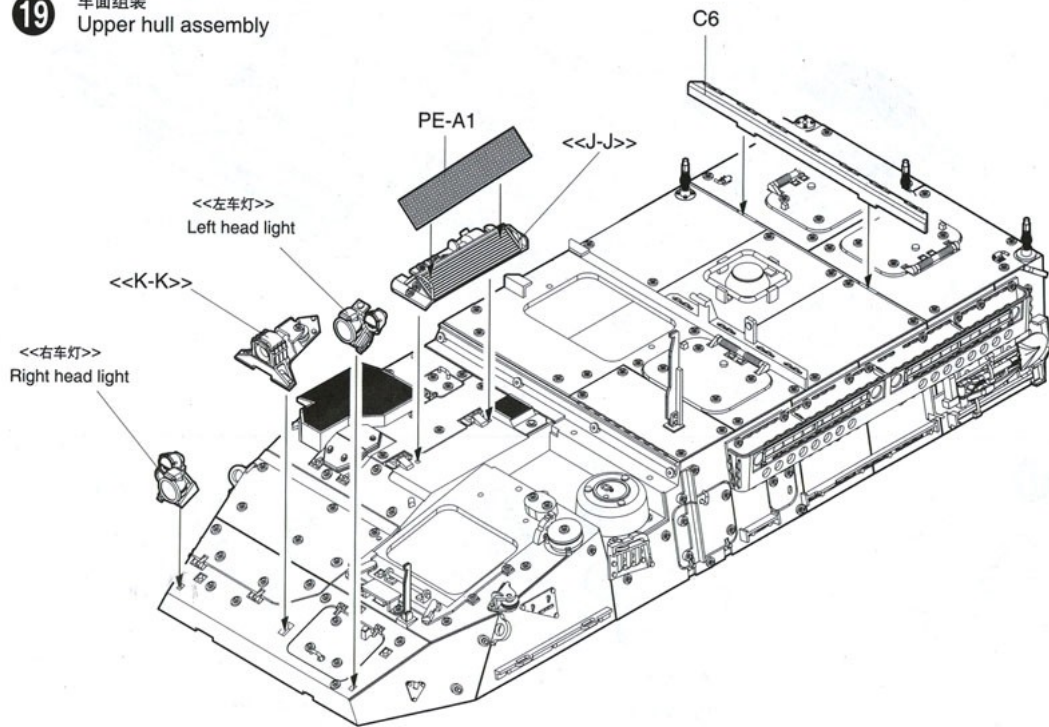
17



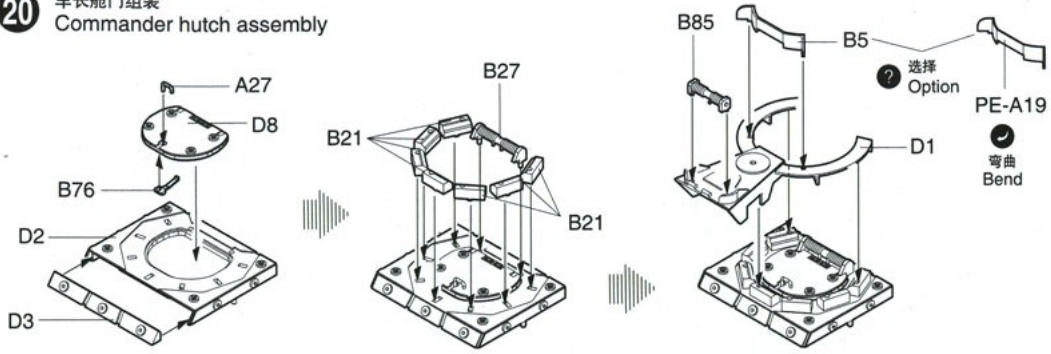
18



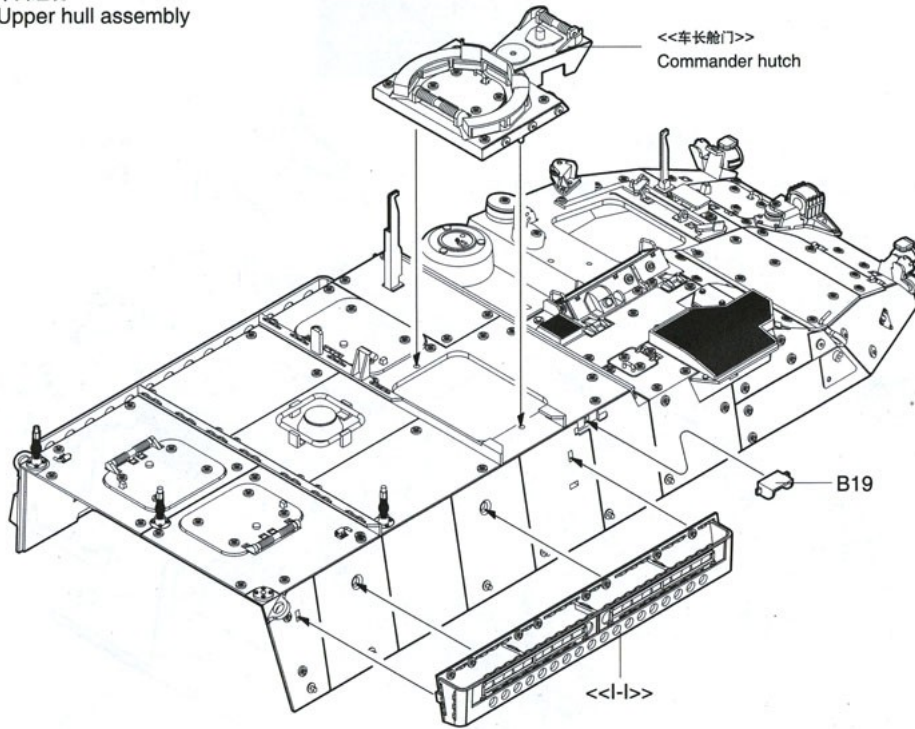
19 车面组装
Upper hull assembly



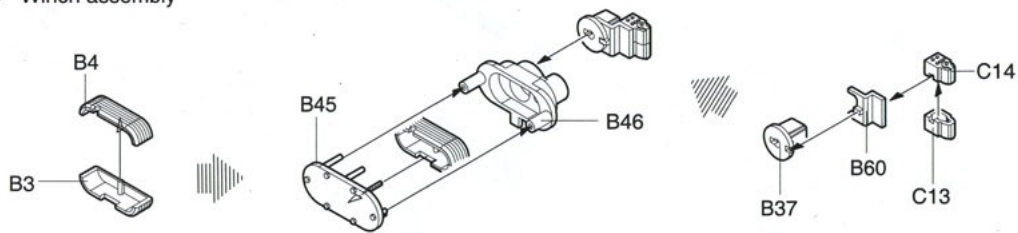
20 车长舱门组装
Commander hutch assembly



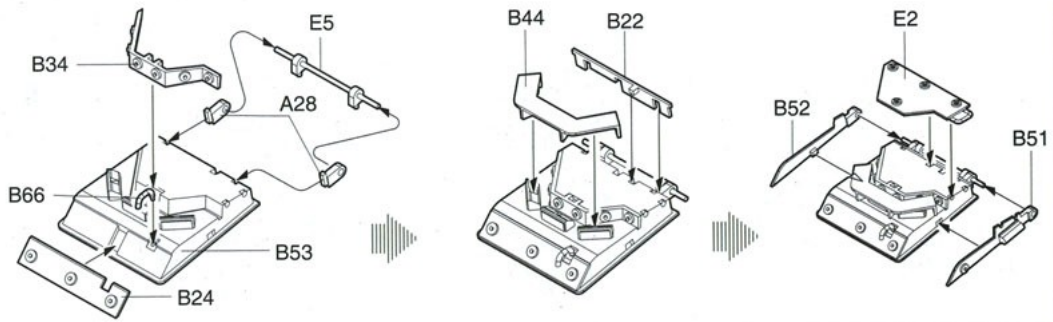
21 车面组装
Upper hull assembly



22 卷扬机组装
Winch assembly

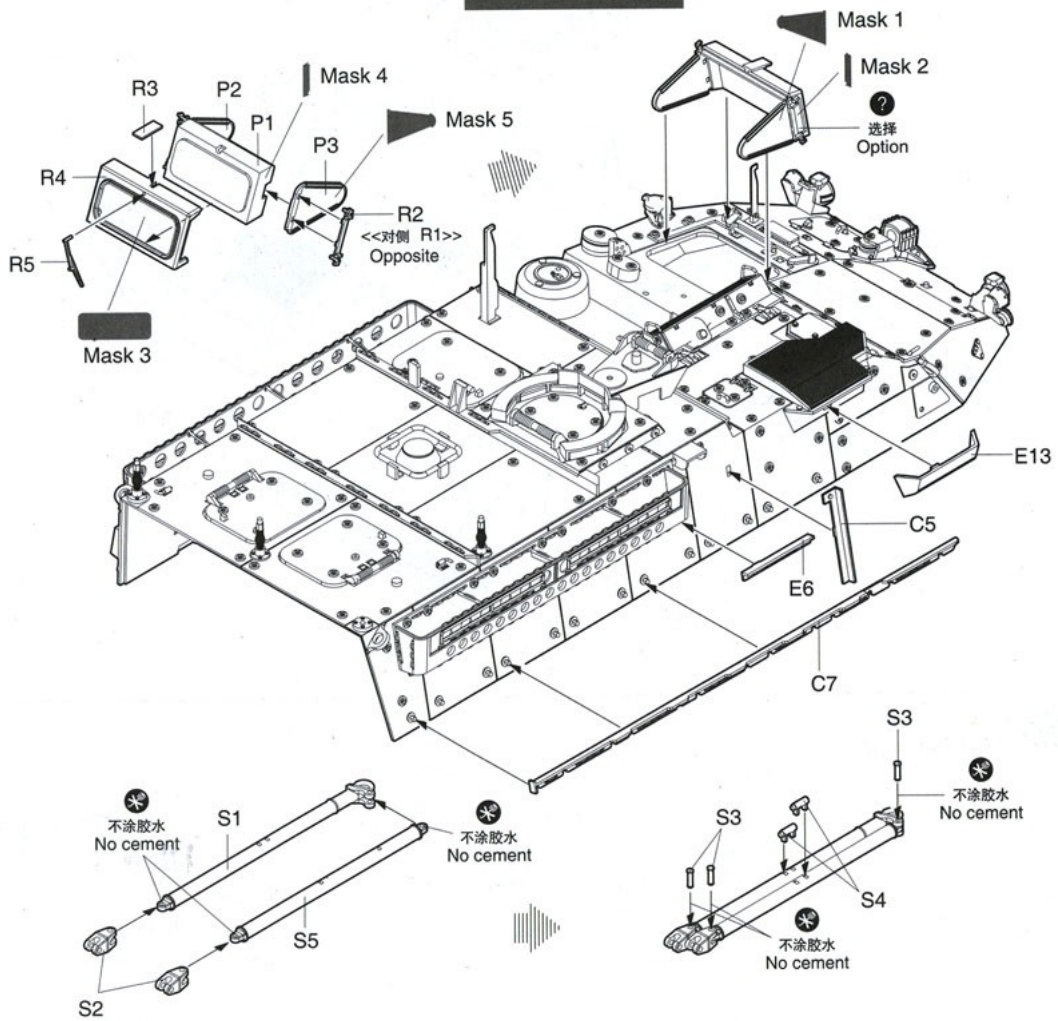


23 驾驶员舱盖组装
Driver hatch assembly

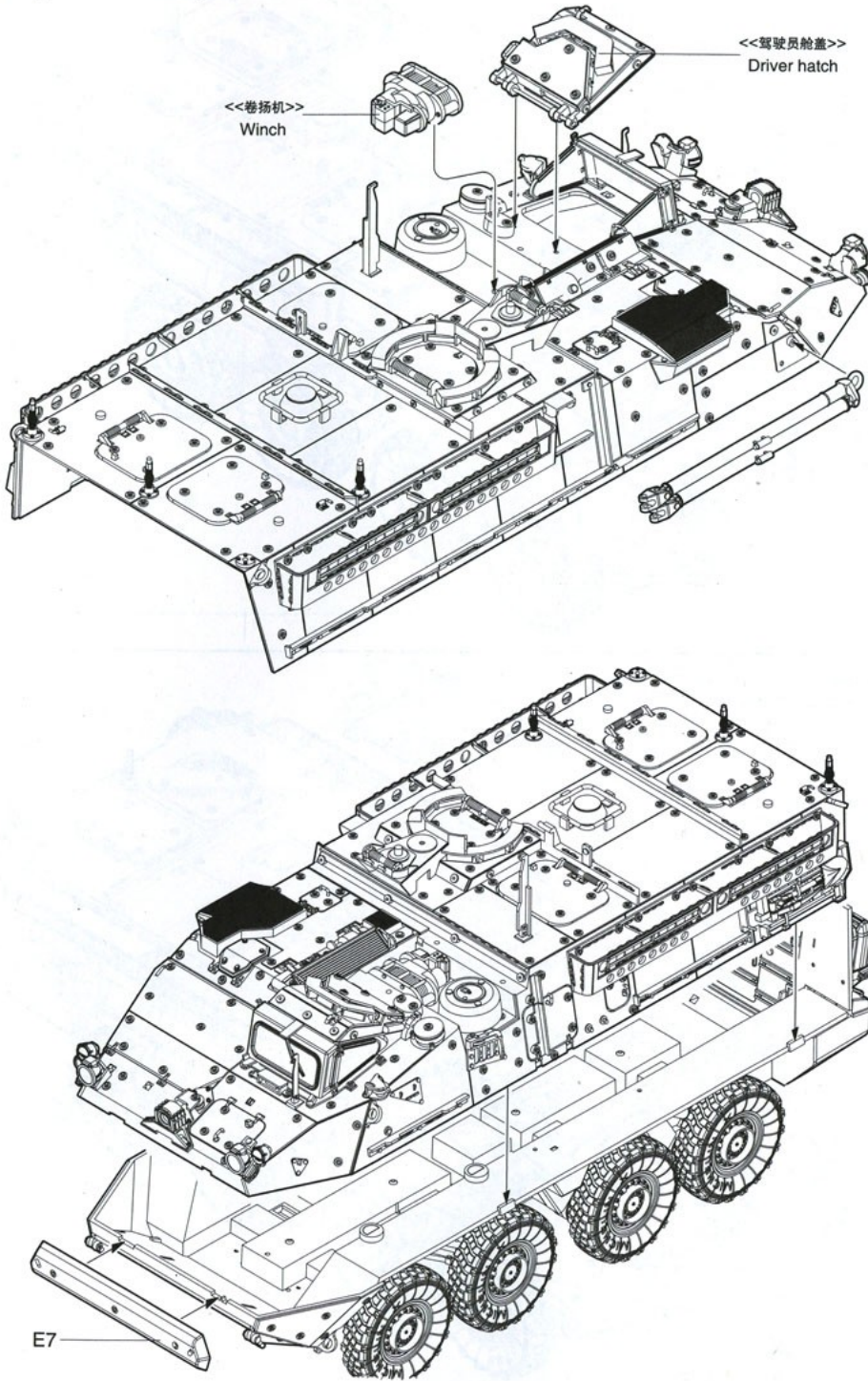


24 车面组装
Upper hull assembly

<<遮盖板>>
Mask



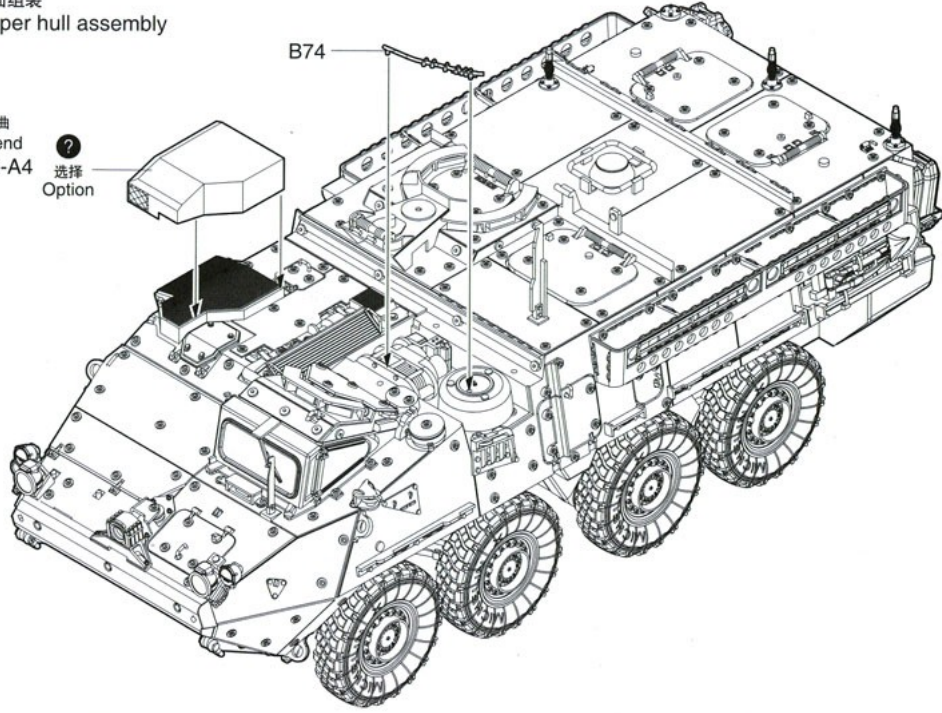
25 车面组装
Upper hull assembly



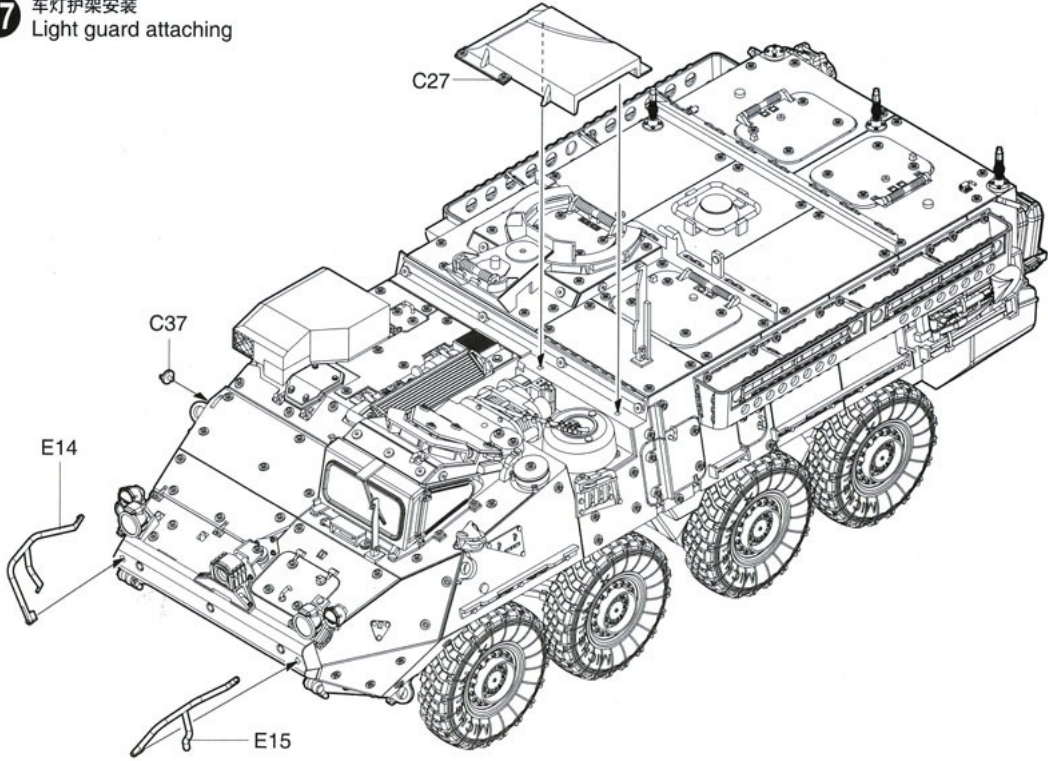
26 车面组装
Upper hull assembly

弯曲
Bend
PE-A4

选择
Option

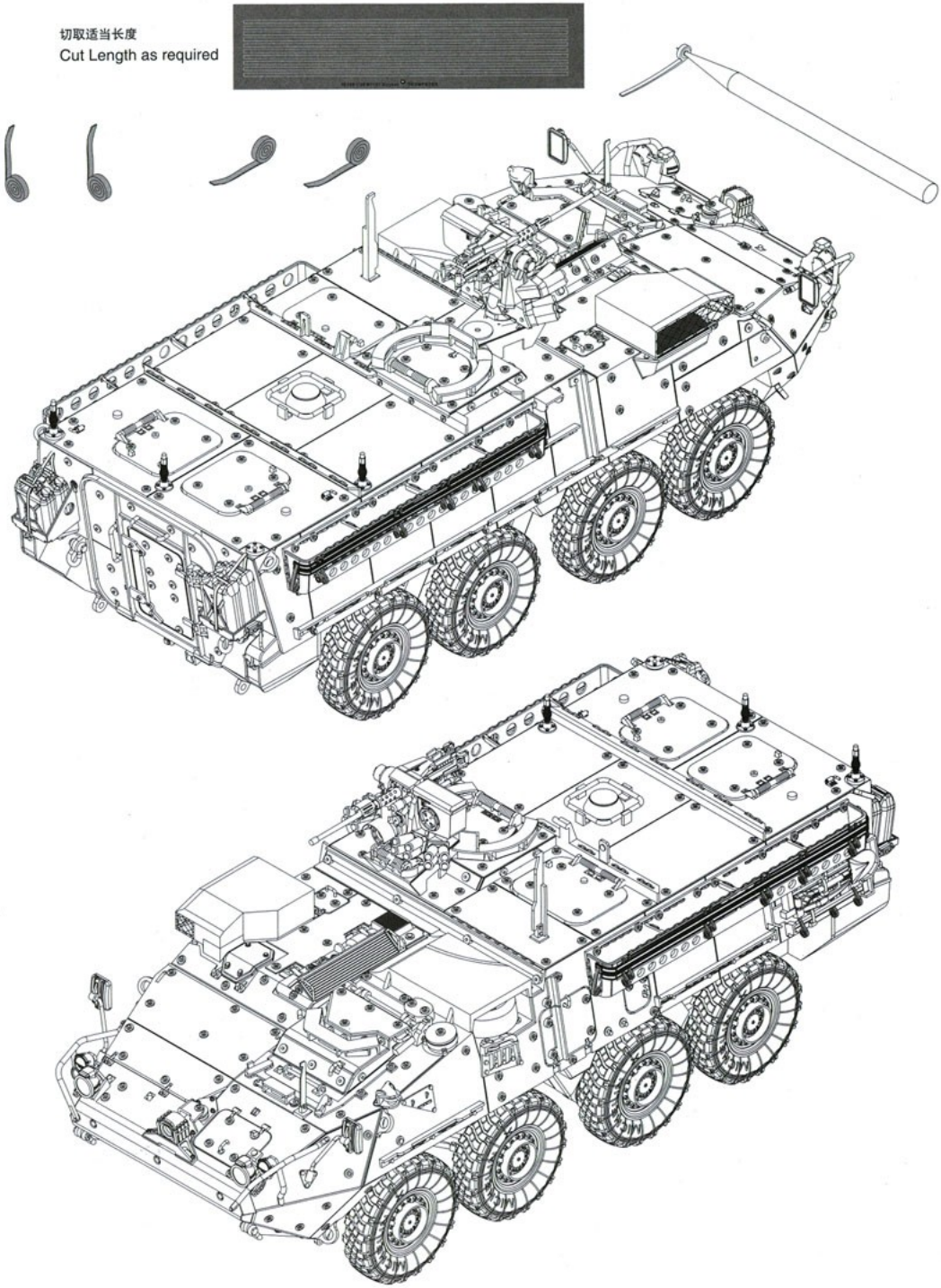


27 车灯护架安装
Light guard attaching

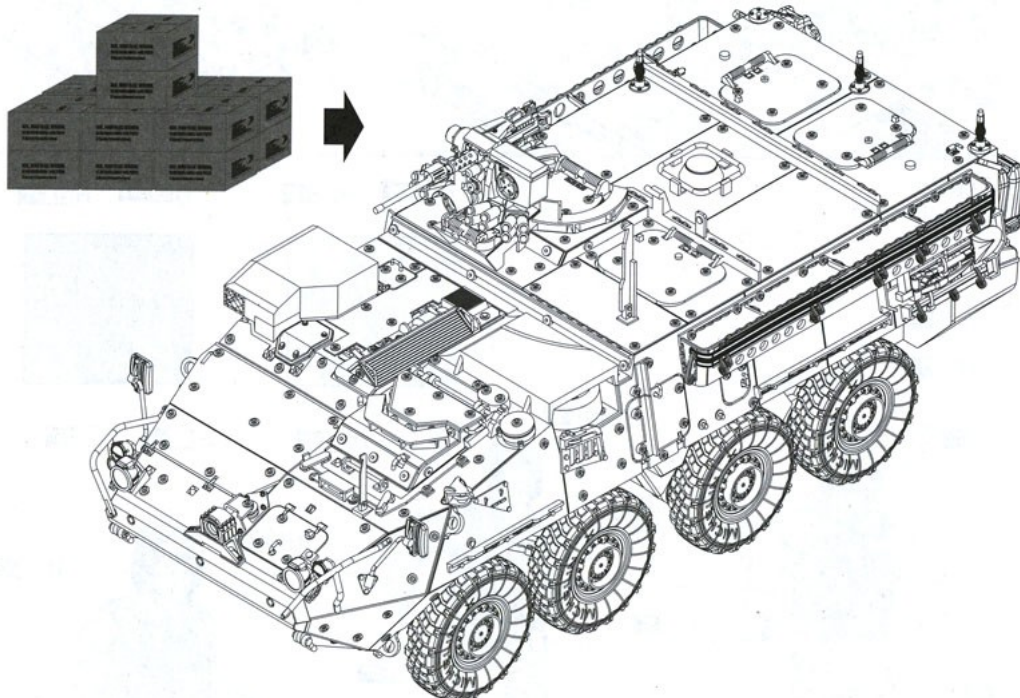
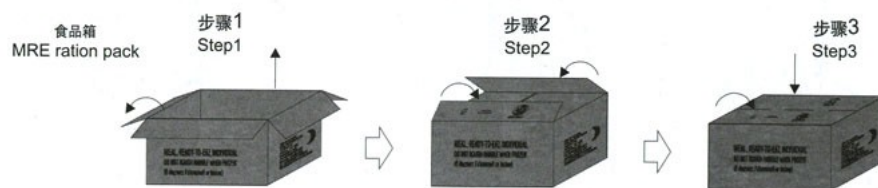


30 捆扎带安装
Strapping installation

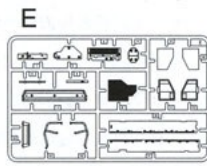
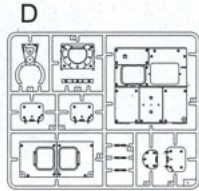
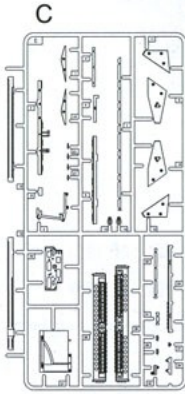
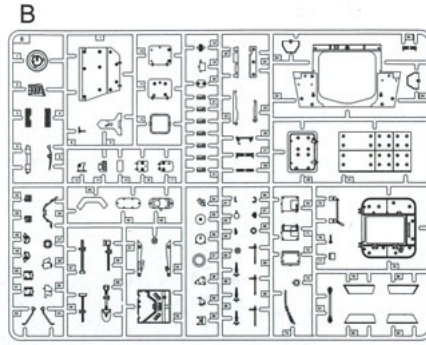
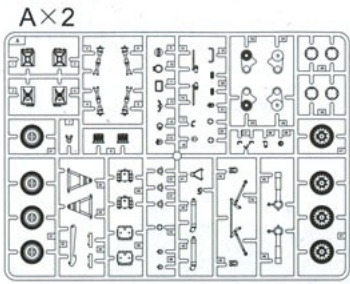
切取适当长度
Cut Length as required



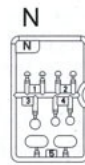
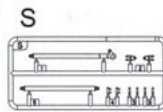
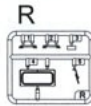
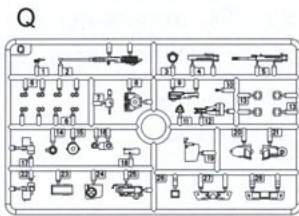
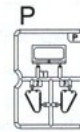
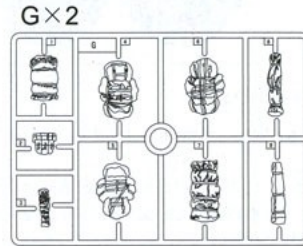
附件：
Stowage Set



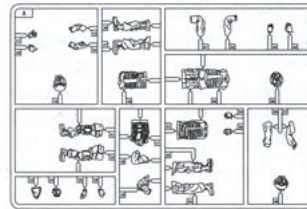
部品图 Parts



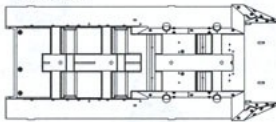
装备随个人喜好选择安装
Attach the military equipment as you like



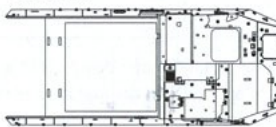
Figures (A)



<<车底>>
Lower hull



<<车面>>
Upper hull



<<轮胎>>.....X8
Tyre



<<食品箱>>
MRE ration packs



<<遮盖纸>>
Mask



<<蚀刻片>>
Photo etched part(PE)



<<水贴纸>>
Decal



<<捆扎带>>
Strapping



00375

2

HOBBY SEARCH

Customers who checked U.S.Army M1126 Stryker IFV (ICV) (Plastic model) also checked



[U.S.A M1117 Guardian AP...](#)
Trumpeter
1/35
2,520 yen



[Pantsir-S1 \(SA-22 Greyhou...](#)
Trumpeter
1/35
11,520 yen



[AS565 Panther \(Plastic mod...](#)
Trumpeter
1/35
10,620 yen



[Russian Heavy Tank IS-3M...](#)
Trumpeter
1/35
2,070 yen



[German Large-Scale Flat B...](#)
Trumpeter
1/35
11,520 yen



[M1120 Terminal High Altitu...](#)
Dragon
1/35
Black Lab...
12,150 yen



[StuG.III Ausf.E](#)
Dragon
1/35
Neo Smart...
7,920 yen



[Karl Heavy Artillery model...](#)
Trumpeter
1/35
11,520 yen



[WWII U.S. Army M46 Patton...](#)
Dragon , ...
1/35
5,760 yen



[Soviet BMP-2 IFV \(Plas...](#)
Trumpeter
1/35
5,580 yen