

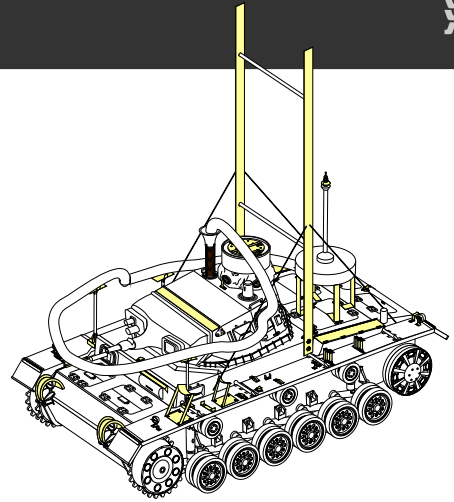
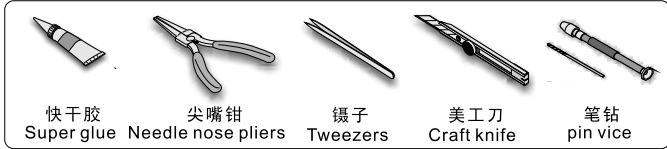
1/35 MILITARY MINIATURE VEHICLE UPGRADE SERIES PE35989

WWII German Pz.KPfw.III (T)Ausf.F "Operation Seelowe" Basic

二战德军III号潜水坦克F型（海狮计划）改造件

[For DRAGON 6877 6717]

推荐使用工具 RECOMMENDED TOOLS



- ↑
安装
install
- ↩
折叠
bend
- A1
改造件零件编号
PE/resin part number
- B12
原零件编号
kit part number
- ◀▶
另一侧相同制作
repeat on opposite side

- ✂
切除
remove
- ⤵
弧度卷曲
radial bending
- x2
制作若干组
multiple assembly
- ⇄
选择安装
alternative
- ⚪
钻孔
drill

制作线圈
make coil

用尖端在凹槽处冲压
use penpoint to press on the dent

蚀刻片零件内侧面向上
Put the part upside down

用笔尖在凹槽处刮
Use penpoint to press on the dent

树脂件 Resin part

树脂件 Resin part

Ø0.5

Ø0.3

x2

Q5, W1

C5 x5

a

U63, U62

C10

A10

A59

Ø0.3

A28[A29]

C19

G28, G29

b

G28, G29

A9

A87[A86]

Ø0.5

A70[A69]

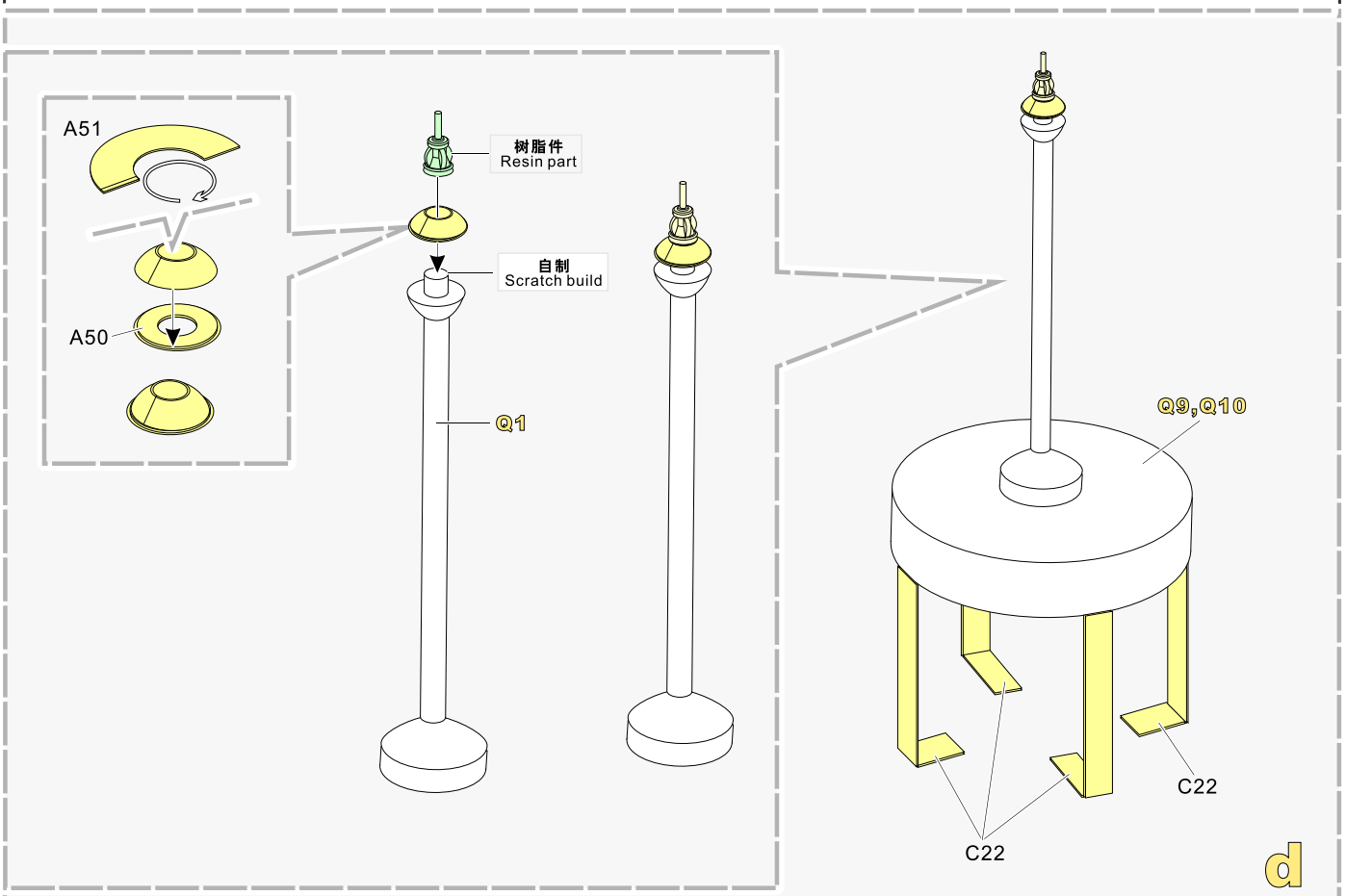
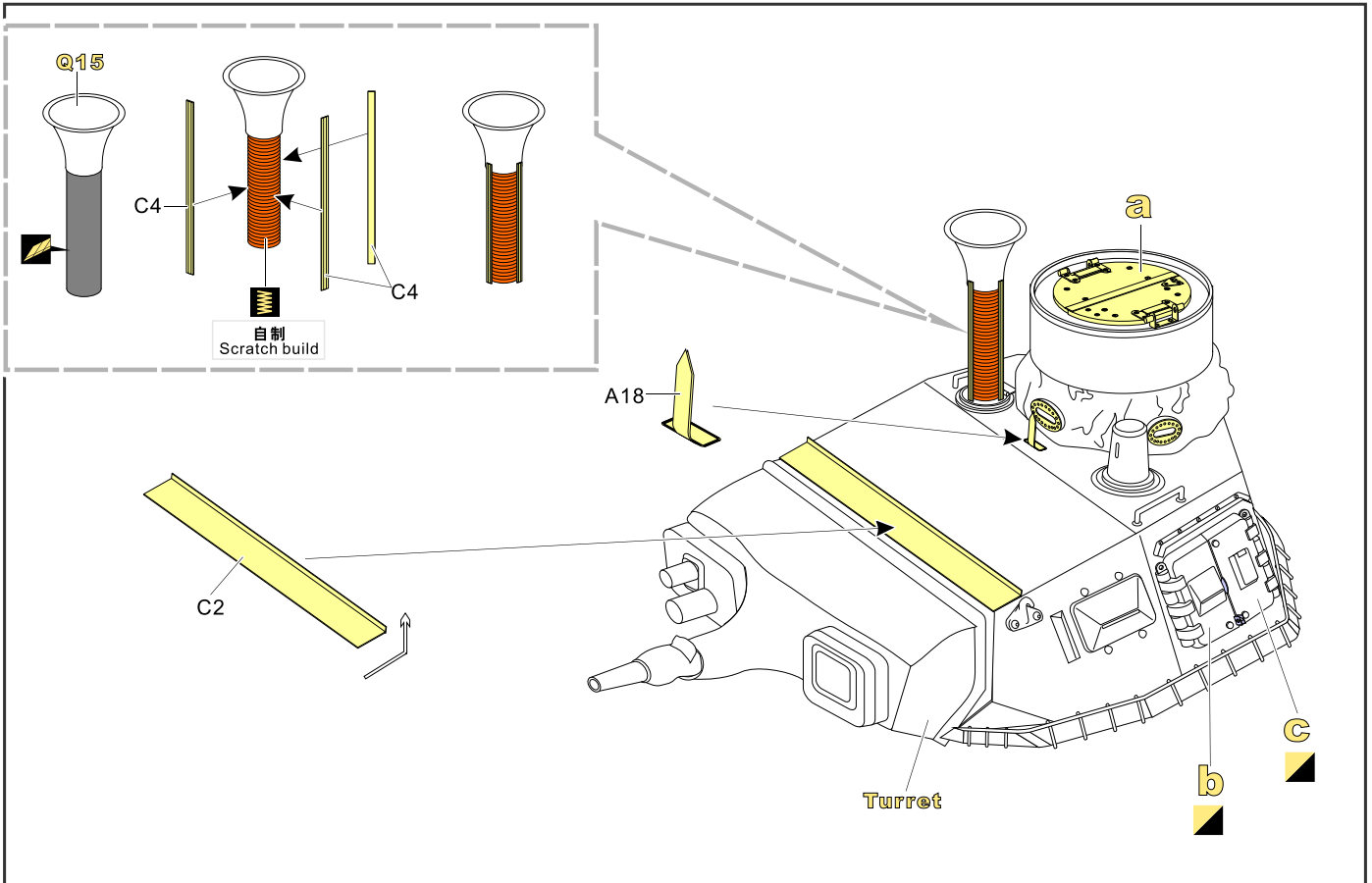
Ø0.3

A30[A31]

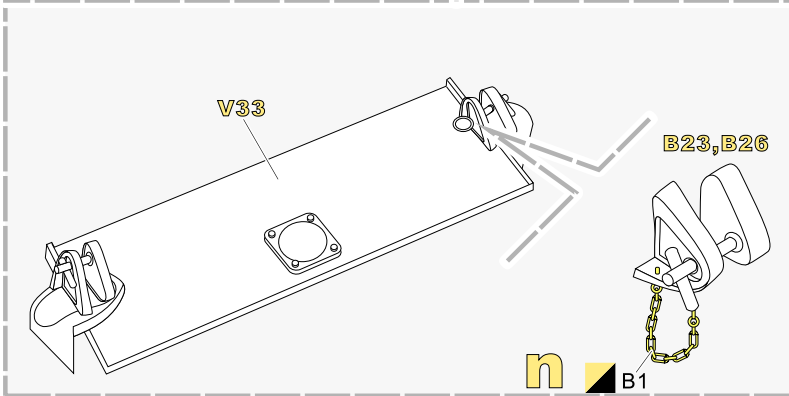
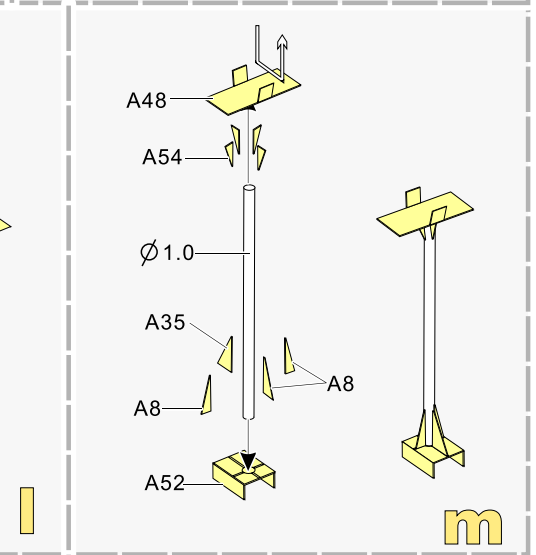
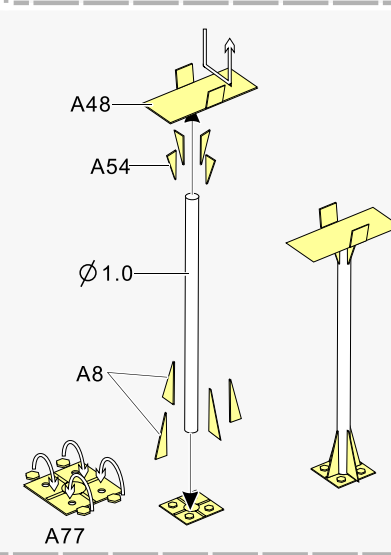
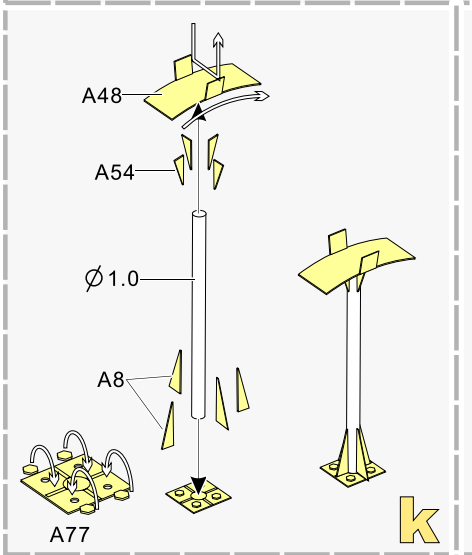
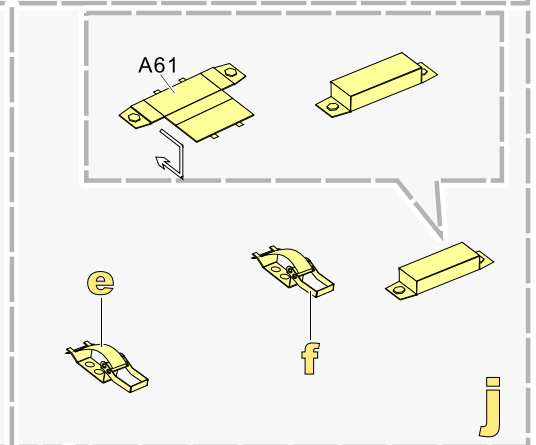
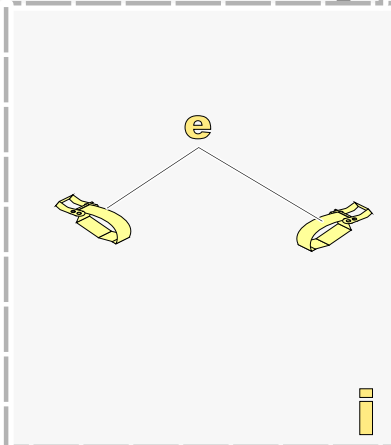
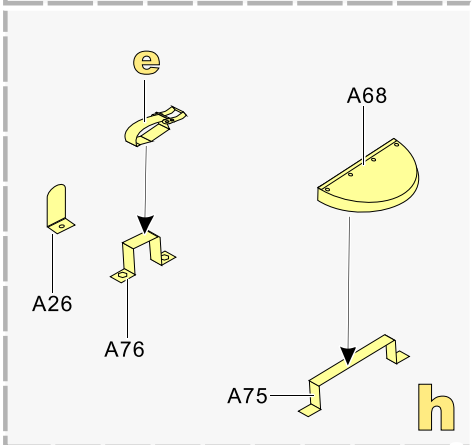
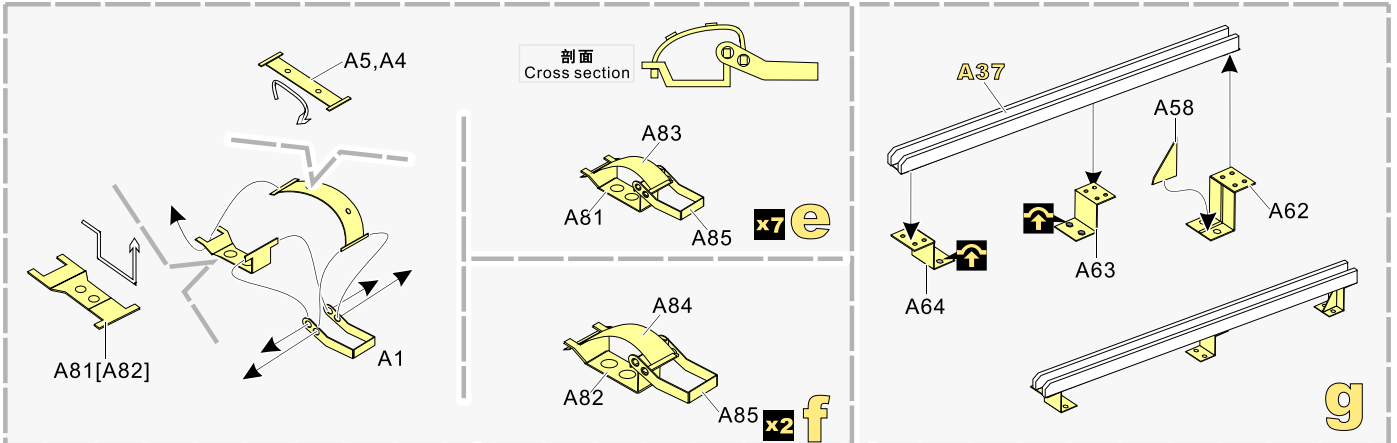
A40

c

1/35 MILITARY MINIATURE VEHICLE UPGRADE SERIES PE35989



1/35 MILITARY MINIATURE VEHICLE UPGRADE SERIES PE35989



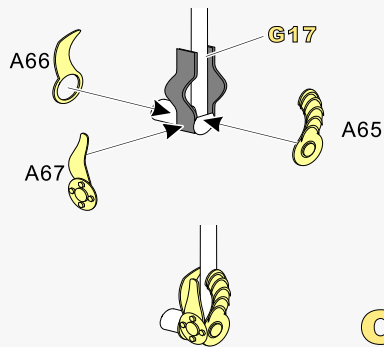
[Http://www.voyagermodel.com/productdetails.asp?itemid=PE35989](http://www.voyagermodel.com/productdetails.asp?itemid=PE35989)



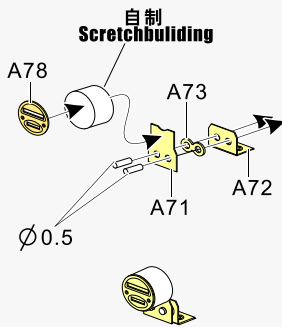
**VOYAGER
MODEL**

更多PE35989样品照片参考请扫一扫
MORE PICTUER OF PE 35989
REFERENCE SCAN HERE

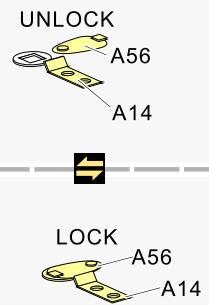
1/35 MILITARY MINIATURE VEHICLE UPGRADE SERIES PE35989



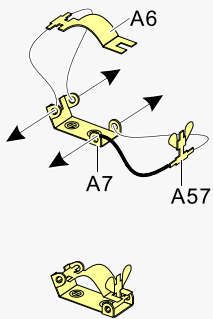
O



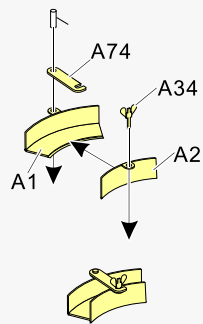
x2 p



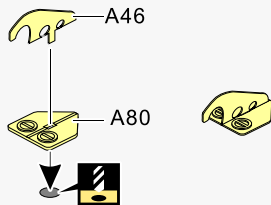
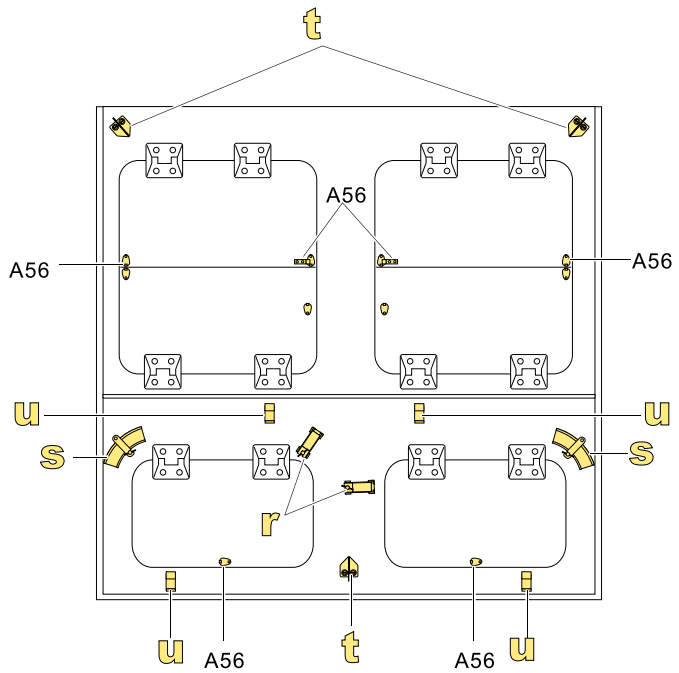
x2 q



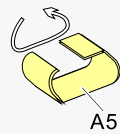
x2 r



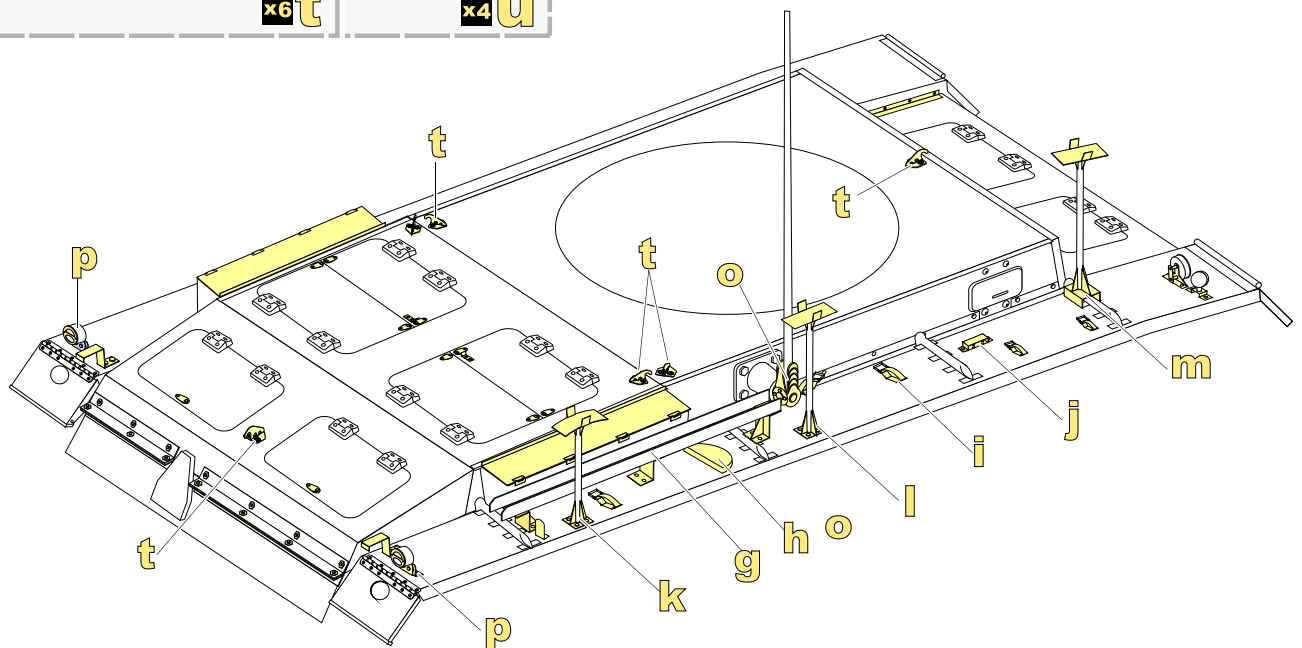
x2 s



x6 t



x4 u



1/35 MILITARY MINIATURE VEHICLE UPGRADE SERIES PE35989

V

W

X

Y

Z

AA

AB

AC

AD

AE

AF

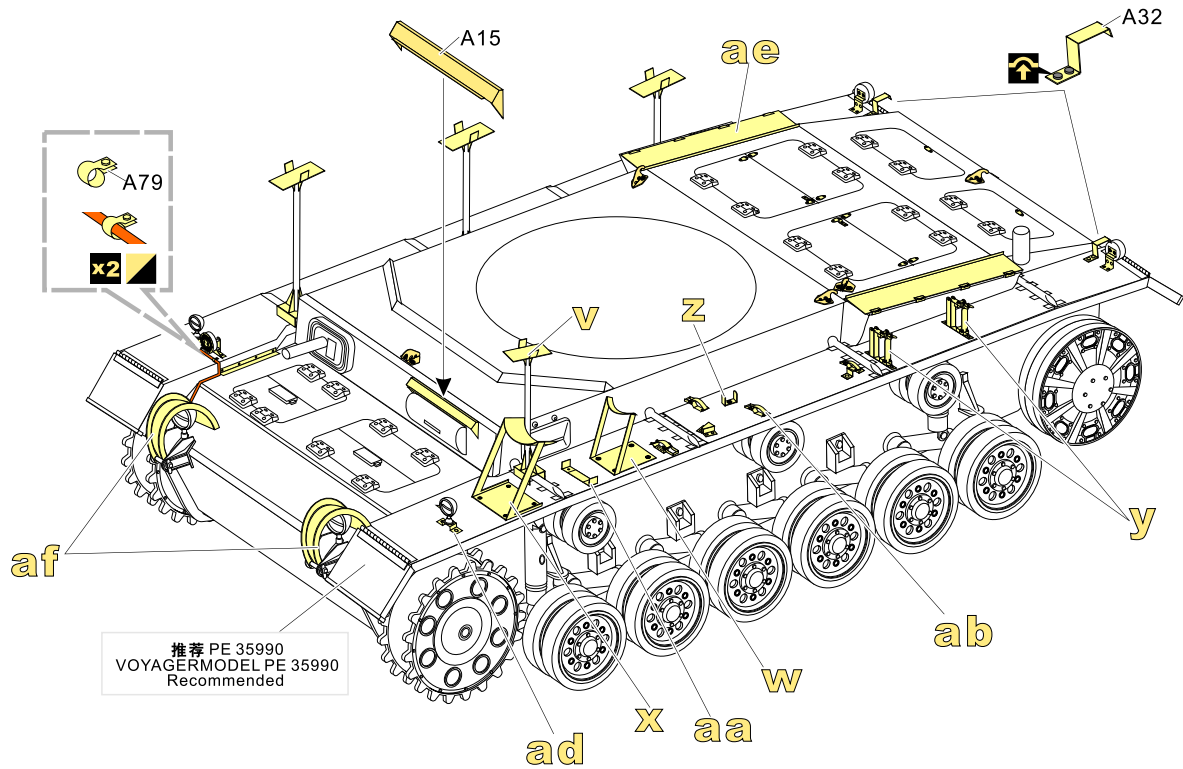
AG

AH

Labels: A48, A54, Ø 1.0, A8, A35, A52, C8, C13, C24, A44, A57, A44, A39, A60, C11, A4, A3, A45, A41, A23, A88, P2, A13, C1, A30, A29, A89, A55, V22, V60, A36, A37, C15, A36, C12, V15[V17], V16[V18], C3, C6, C14, C7, C15, A36, A37, C15, A36, C14.

自制 Scratch build
Ø 0.3

1/35 MILITARY MINIATURE VEHICLE UPGRADE SERIES PE35989



VOYAGERMODEL® 完微不至 极致享受

Recommended item

PE 35158	WWII German Pz.KPfw.III Mid-Late Production Fenders
PE 35157	WWII German Pz.KPfw.III Ausf.J
VBS0511	WWII German 50mm KwK39 L/60 Gun Barrel (Pz.III used)
PE 35228	WWII Pz.KPfw. III Ausf L
PE 35238	WWII German Pz.Kpfw.III Ausf.N
PE 35242	WWII German Pz.Kpfw.III Ausf.N sPz.Abt 501 Afrika
PEA 108	WWII German Pz.KPfw.III Late Production Damaged Road Wheels
PE 35294	WWII German StuG.III Ausf.G Late Production Basic
PE 35121	WWII German StuG.III Ausf.G Early Production Basic
PE 35337	WWII Pz.KPfw. III Ausf N late version
PE 35356	WWII Finnish army StuG.III basic
PE 35863	WWII German Pz.KPfw.III Ausf.M basic
PE 35476	WWII German STUG III. Ausf.SIG33
PE 35630	WWII German StuG.III Ausf.G Late Production Basic

