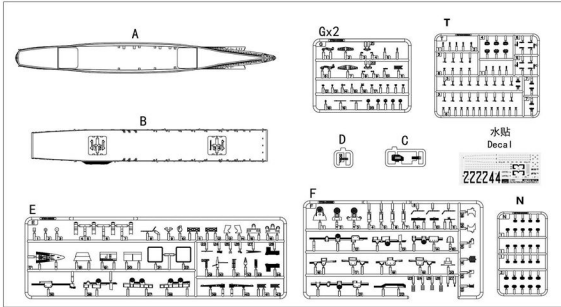


1/700



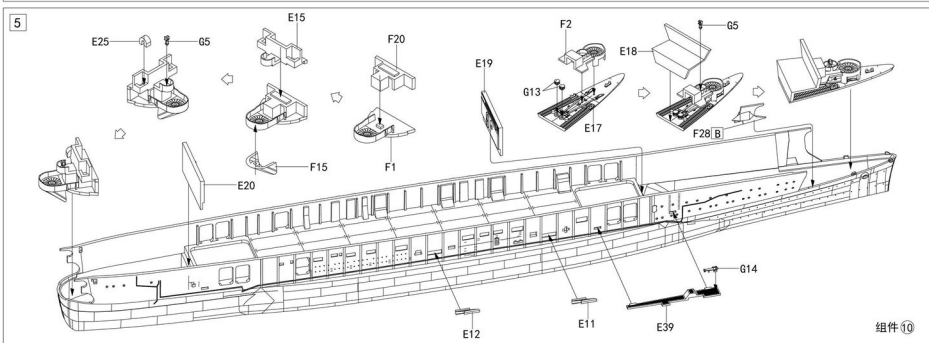
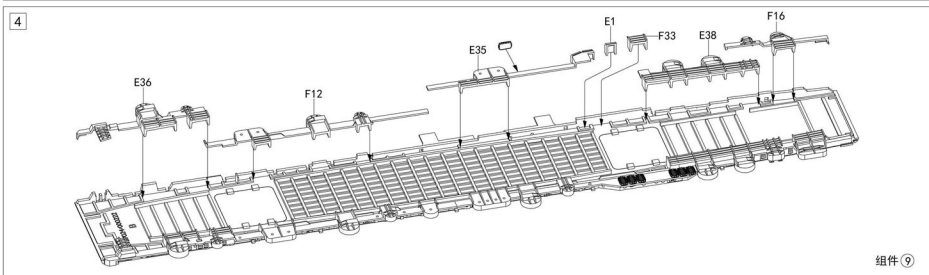
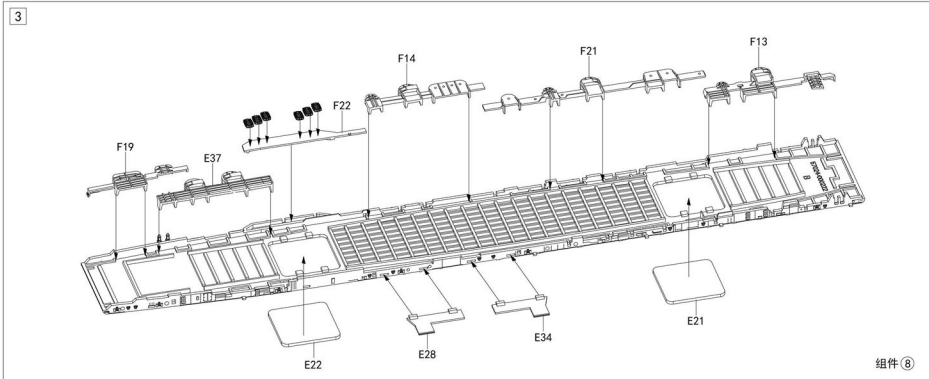
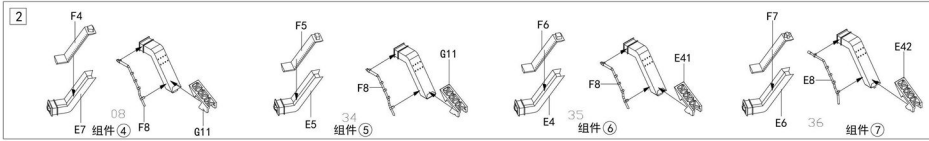
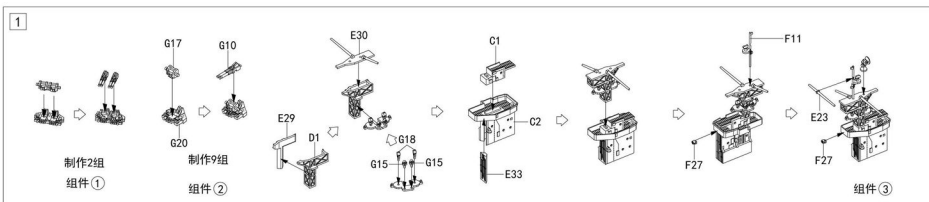
USS CVL-22 INDEPENDENCE 1944 美国航空母舰“独立”号



图标说明
Icon description:

1 步骤	Step	切断	Cut off
B 对侧相同	Both sides	对侧	Opposite
X2 制作两组	Make 2sets	组件	Unit
		钻孔	Make hole

1. 组合前先阅读说明书。
Read the manual before you start assembling.
2. 确认零件完整。
Confirm that the parts are all complete.
3. 组件取出零件后的塑料袋，小孩子有可能把它当成帽子戴上，有窒息的危险，请把它撕碎。
After taking out the parts from the plastic bag, tear up the plastic bag. Little child may wear it over his head only to be suffocated.
4. 制作过程中的零件和碎片，要放在小孩子触摸不到的地方。
While assembling the kit, place the parts and chips on a safe place out of the reach of little children.
5. 使用胶水和油漆时，请打开窗户换气，避免火灾。
If you desire to use an adhesive, and paint, open the window for sufficient amount of fresh air. Avoid using fire nearby.



V57024

