



Mirage 2000D with dual GBU-12/22

Dassault has developed the Mirage 2000D, which is a development of the Mirage 2000N designed for long-range precision strikes with conventional weapons. This aircraft is exactly the same as the Mirage 2000N, but introduces support for conventional attack missiles such as the Apache and Scalp missiles, as well as the AASM weapons. The first aircraft, converted from the Mirage 2000N prototype, flew on 19 February 1991, and the French Air Force ordered a total of 86 aircraft.

AdA Mirage 2000Ds served in the intervention in Afghanistan in 2001–2002, operating in close conjunction with international forces and performing precision attacks with LGBs. The French Air Force deployed the Mirage 2000D to Manas Air Base in Kyrgyzstan from 2002 to 2004 to support coalition forces in Afghanistan. Then from 2004 to 2007, they stayed at Dushanbe, Tajikistan. In summer 2007, after the Rafale fighters have been removed from the theater of operations, 3 French Mirage 2000s were deployed to Afghanistan in support of NATO troops. To shorten the response time to support NATO ISAF troops in southern Afghanistan, the aircraft moved to Kandahar International Airport. Three Rafale F2 and three Mirage 2000Ds operate from Kandahar in 2008.

The Mirage 2000D remains in service, with various improvements such as the MICA IR. A general upgrade designated Mirage 2000D-R2 machine was delivered from 2001. A second upgrade program was begun in 2009, with better support for the strike role and improvement of air-to-air capabilities. This provided a multirole capability that compensated for the eventual retirement of the Mirage 2000Cs.

CAUTION

- *Read carefully and fully understand the instructions before commencing assembly.
- *Keep out of reach of children. Children must not be allowed to put any parts in their mouths, or pull plastic bag over their heads.
- *When using adhesives and paints, please make sure not to use them in closed room or near the fire.
- *When assembling this kit, tools including knives are used. Extra care should be taken to avoid injury.

WARNING: CONTAIN SMALL PARTS NOT FOR CHILDREN UNDER 14 YEARS OF AGE.



Drill



Remove



2 Set



Bend



Optional



Decal



Super Glue



Fill Hole



No Cement



Be Careful

TOOLS RECOMMENDED

Cement



Side Cutter



Modeling Knife



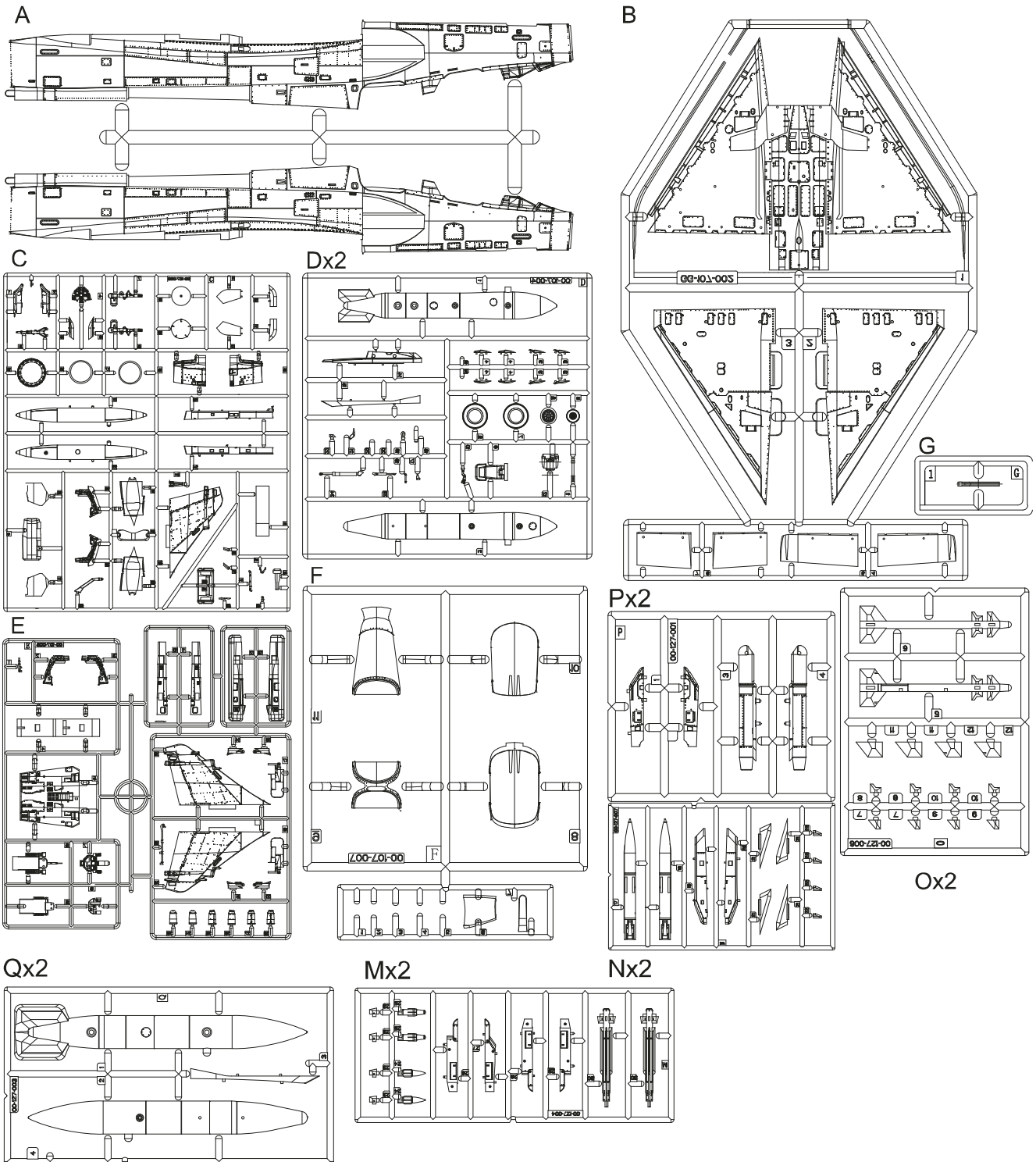
Tweezers



AFTERMARKET SERVICES CARD

When requesting replacement parts, please take or send this form to your local dealer so that the parts required can be correctly identified. Please note that specifications and availability are subject to change without notice. Or visit <http://www.kineticmodel.com> for latest information. For more information, please contact services@kineticmodel.com

Part Code	K48120	Qty	Item	Part Code	Qty	Item
00-107-001	Main fuselage	1	A	00-127-004	2	MICA air to air missile
00-107-002	Wing parts	1	B	00-127-006	2	Magic missiles
00-107-003	Body parts	1	C	00-127-007	2	AS-30L missile
00-107-004	Fuel tank, wheels	2	D	00-127-009	1	ALTIS pod clear part
00-107-005	Cockpit tub, vertical fins	1	E	00-127-010	1	French weapon set I (both A/B sprues)
00-107-007	Canopy clear parts	1	F	01-107-001	1	Decal
00-127-001	ALTIS pod	2	P	01-127-48008	1	Decal
00-127-003	Export version fuel tank	2	Q	03-107-48120	1	MANUAL

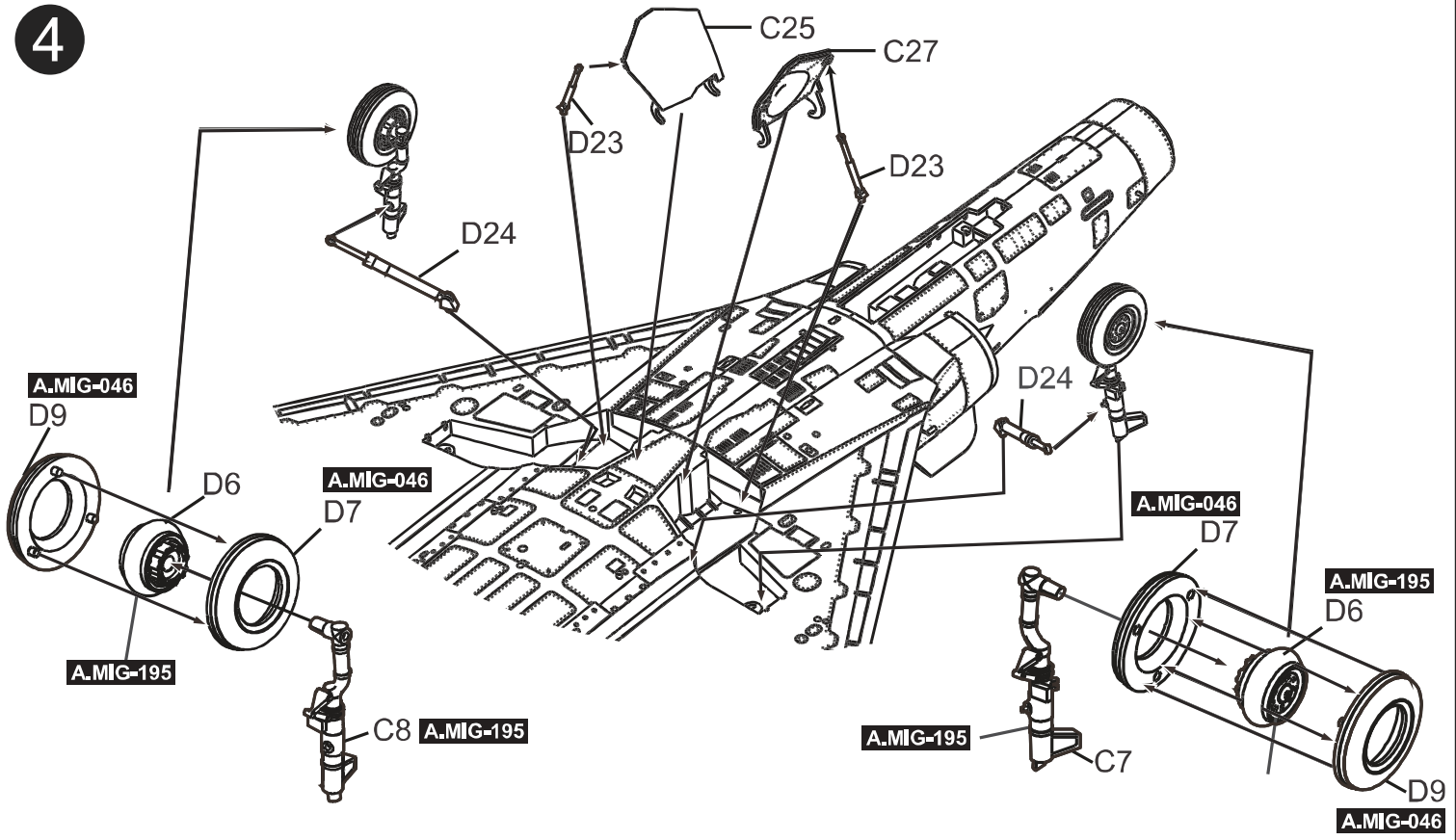




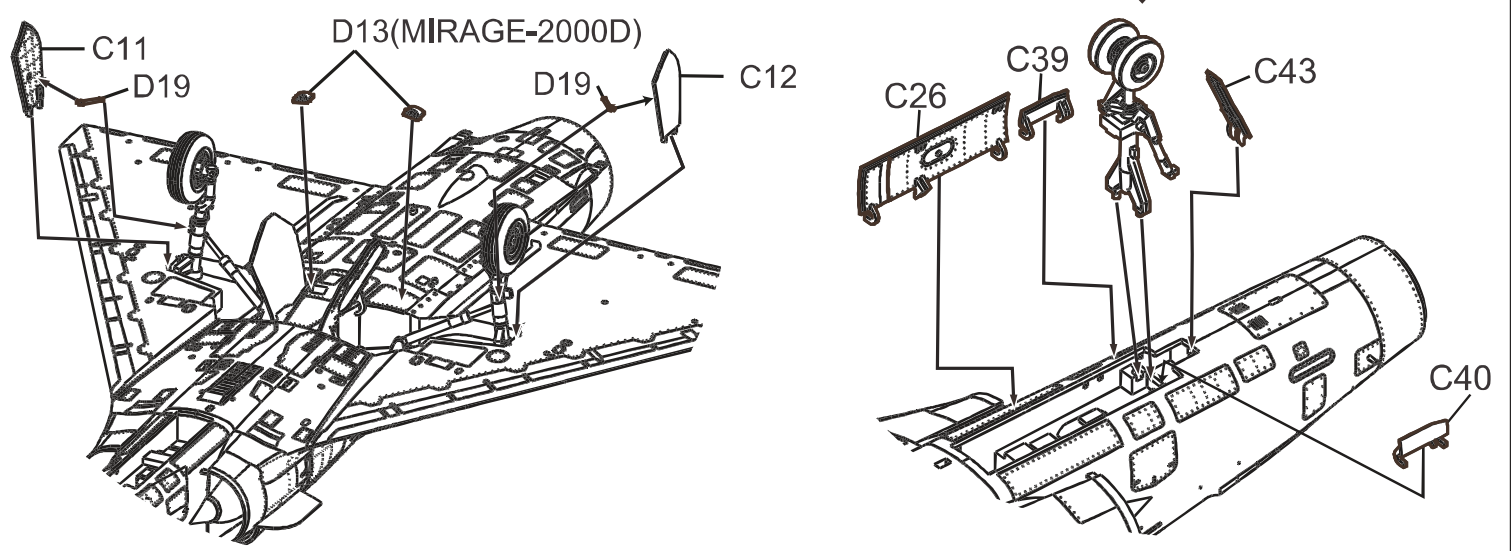
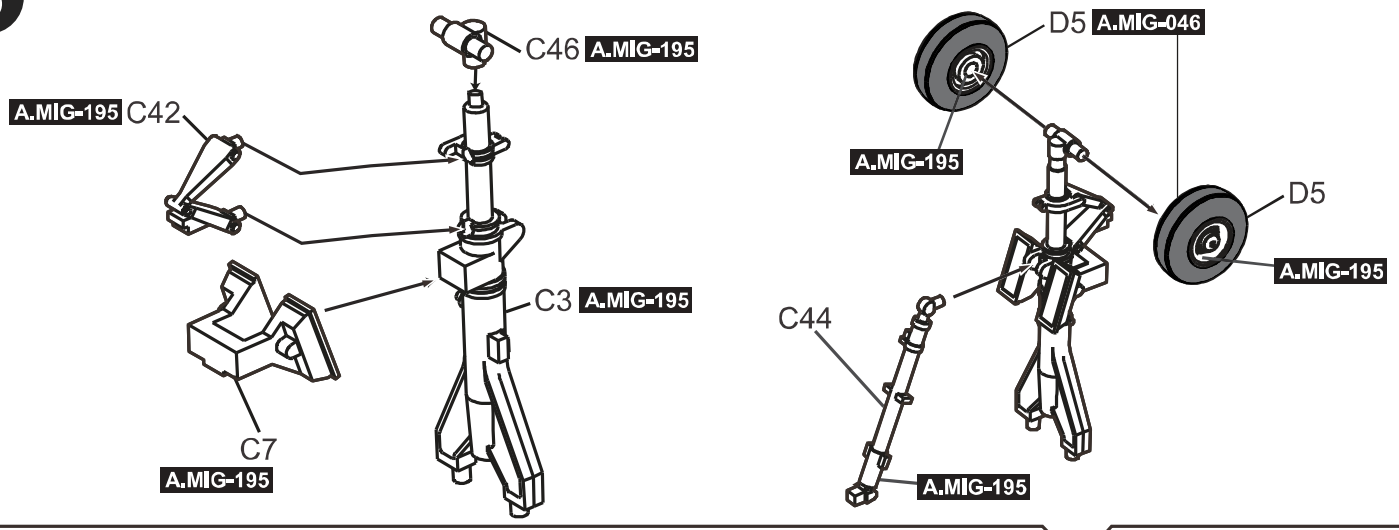
COLOR	AMMO MIG	VALLEJO MODEL COLOR	GSI CREOS MR. COLOR	TAMIYA ENAMEL/ACRYLIC	HUMBROL ENAMEL
SATIN BLACK	A.MIG-032	70.861	2	X-18	21
GUN METAL	A.MIG-045	70.863	78	X-10	53
MATT BALCK	A.MIG-046	71.057	33	XF-1	33
SATIN WHITE	A.MIG-047	70.842	1	X-2	22
YELLOW	A.MIG-048	71.002	4	XF-3	69
FRENCH BLUE	A.MIG-062	70.900	72	XF-18	-
GREEN FS34102	A.MIG-065	70.348	303	XF-58	117
NATO GREEN	A.MIG-084	71.093	54	XF-67	117
CRYSTAL RED	A.MIG-093	70.934	47	X-27	220
CRYSTAL BLUE	A.MIG-098	70.938	50	X-23	-
BURNT IRON	A.MIG-187	71.073	61	XF-4	-
STEEL	A.MIG-191	70.864	28	-	27003
SILVER	A.MIG-195	71.063	8	X-11	11
GHOST GRAY FS 36375	A.MIG-203	70.990	308	-	-
FS36320	A.MIG-208	71.120	307	-	128
FS336270	A.MIG-211	71.275	306	-	126
DARK GREY AMT-12	A.MIG-235	71.308	32	XF-75	-
DARK OLIVE DRAB	A.MIG-237	71.016	12	XF-62	-
MEDIUM SEA GREY	A.MIG-246	71.307	335	XF-83	165
OLIVE GREEN FS34083	A.MIG-248	71.265	120	-	-

For Color Profile, please go to www.kineticmodel.com for download
(type the kit# and go for manual/painting guide)

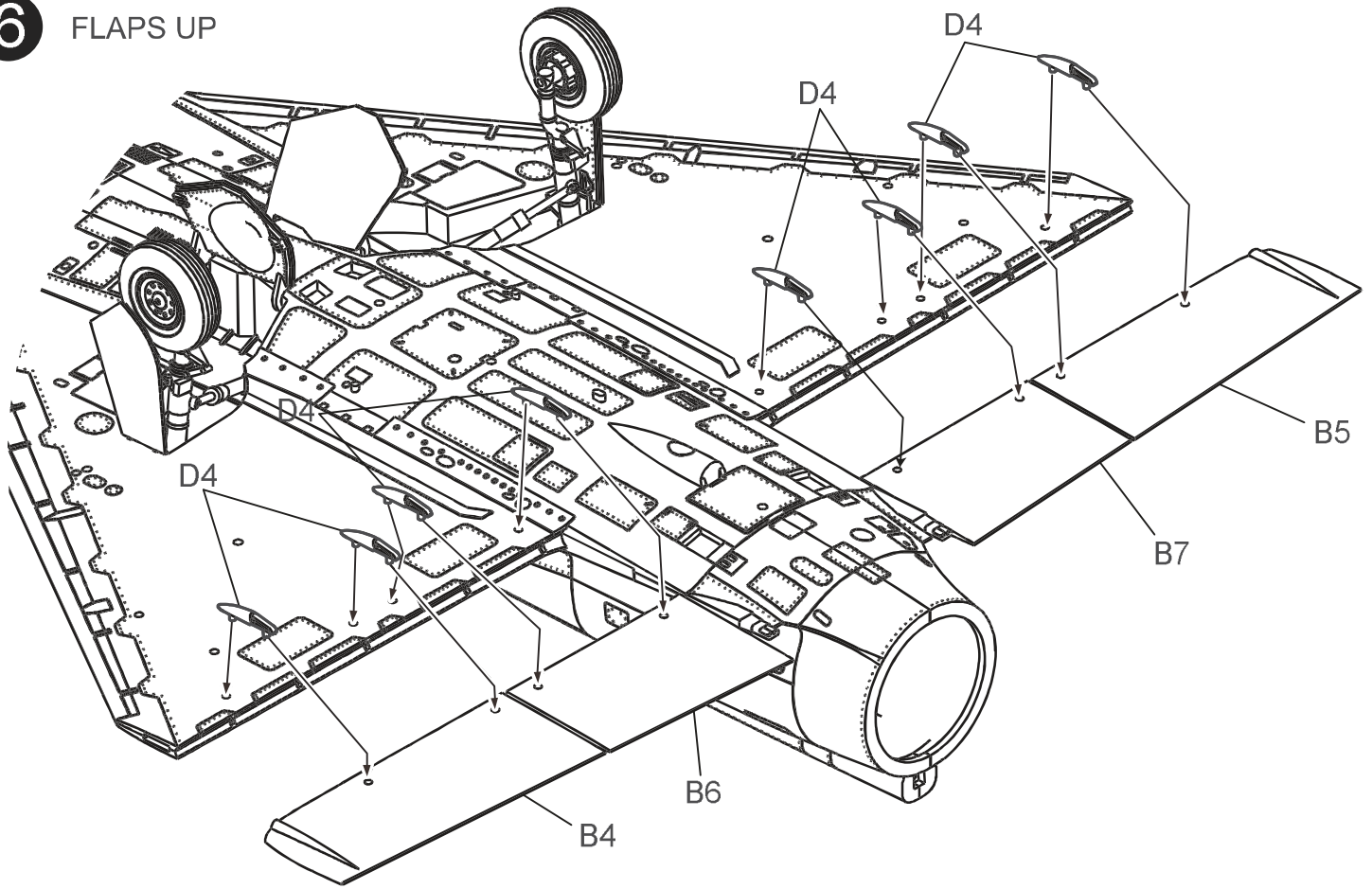
4



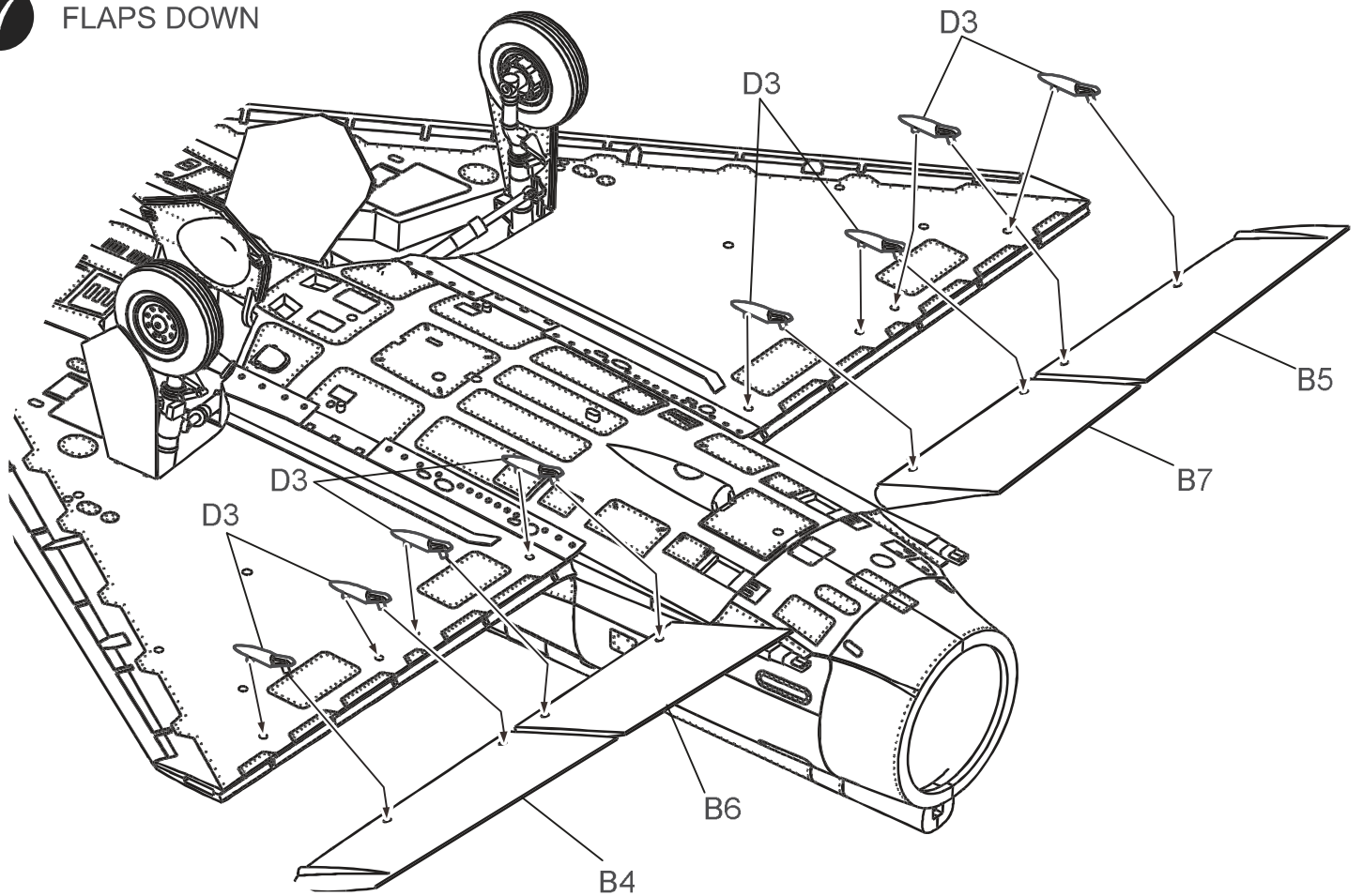
5



6 FLAPS UP

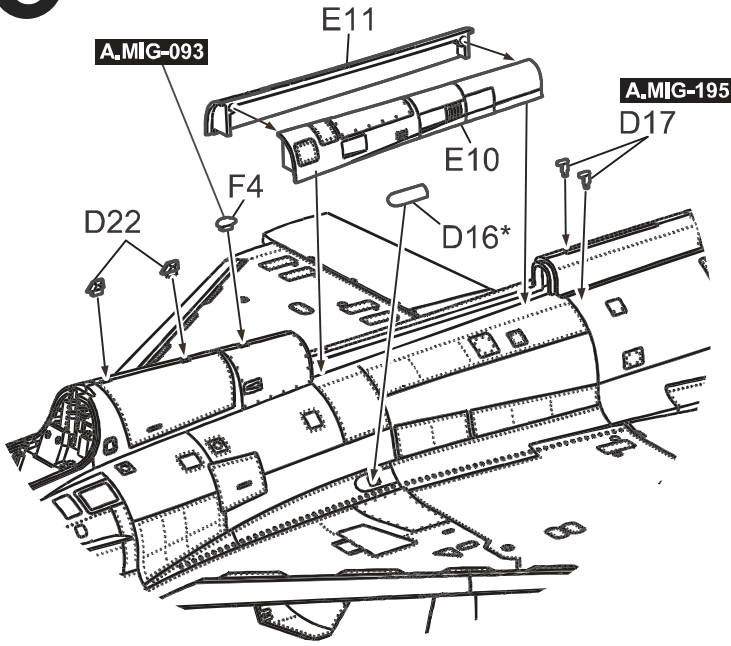


7 FLAPS DOWN

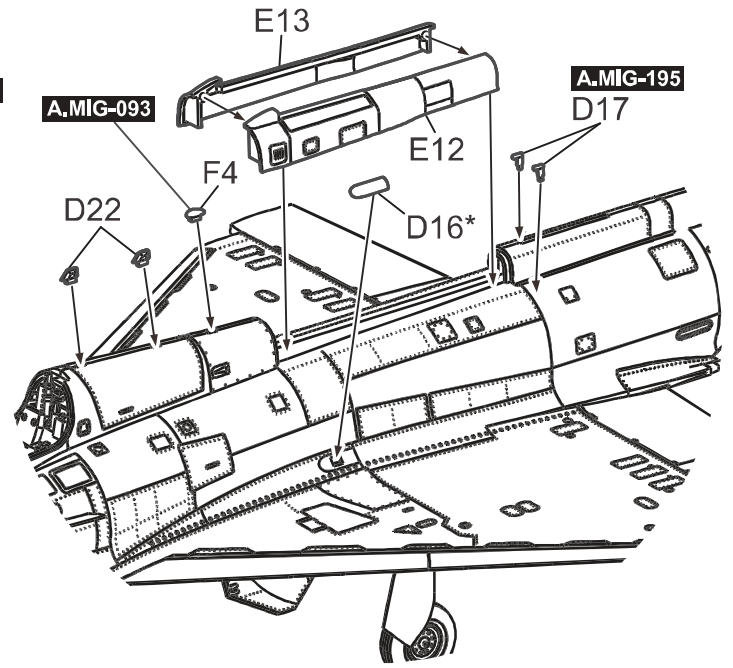


8

MIRAGE-2000 B/N



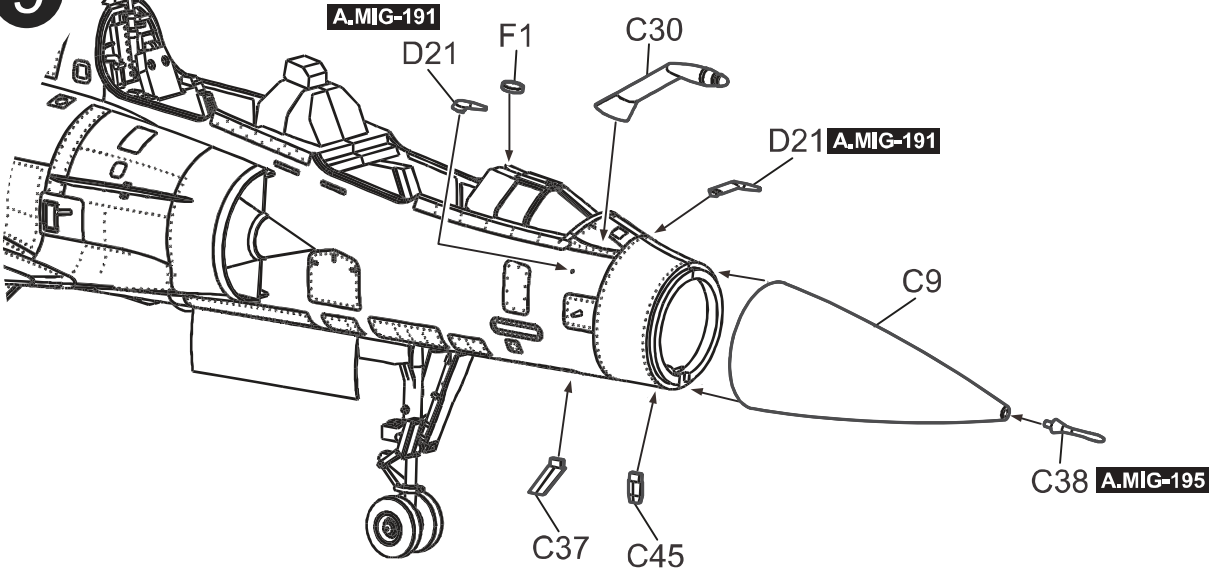
MIRAGE-2000 D



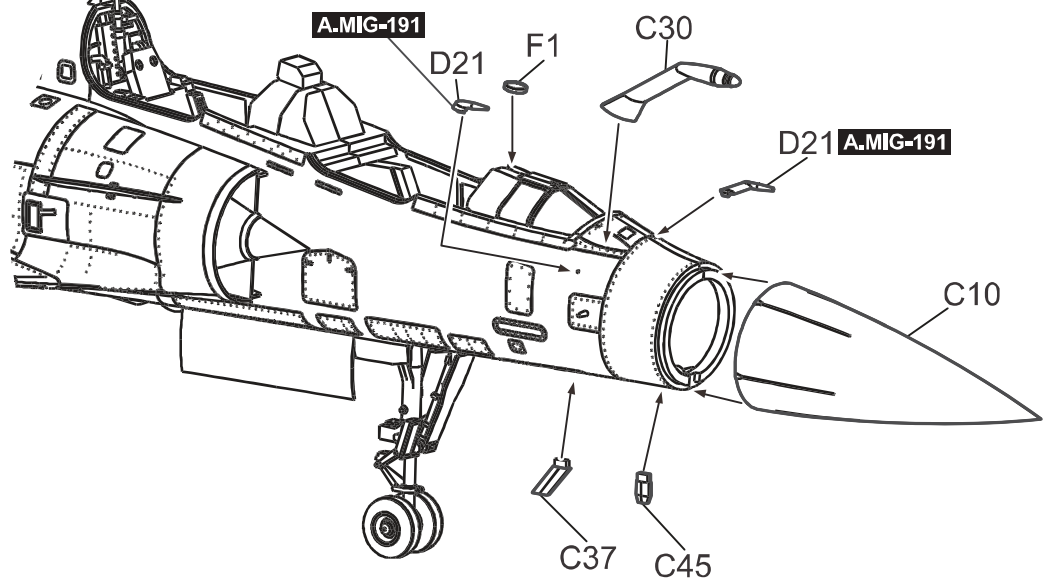
*OPPOSITE SIDE

9

MIRAGE-2000 B/N

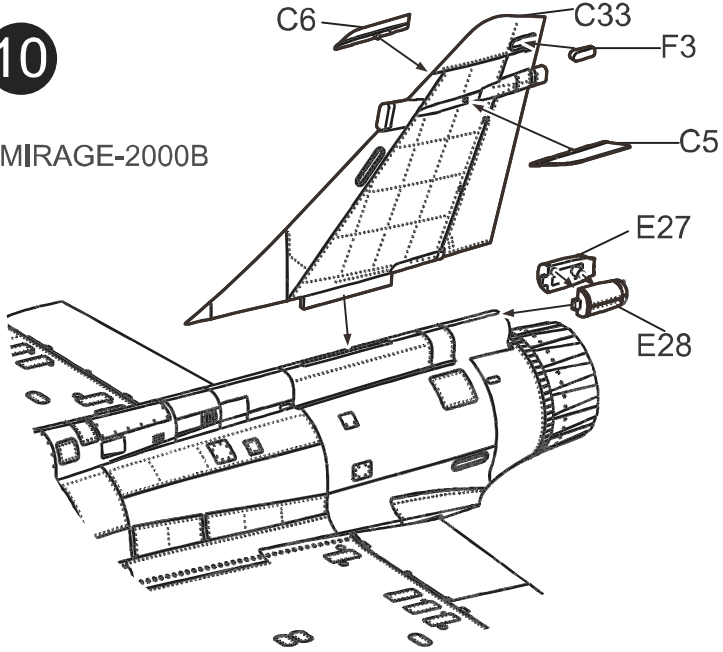


MIRAGE-2000 D

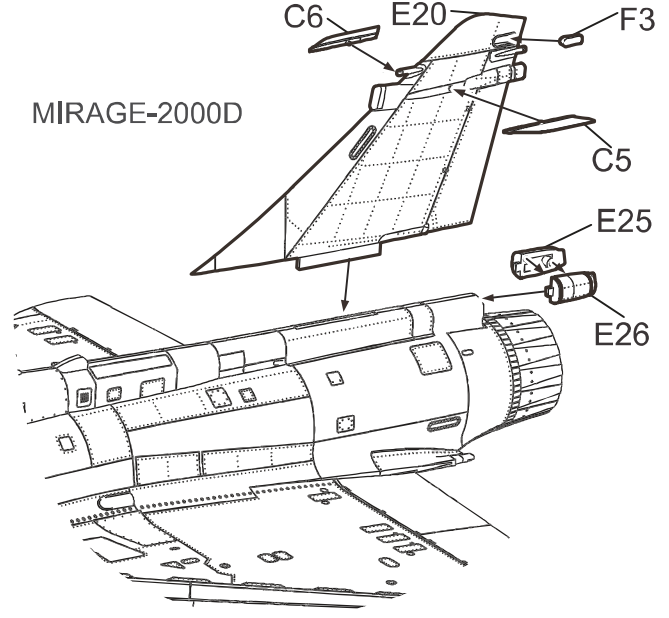


10

MIRAGE-2000B

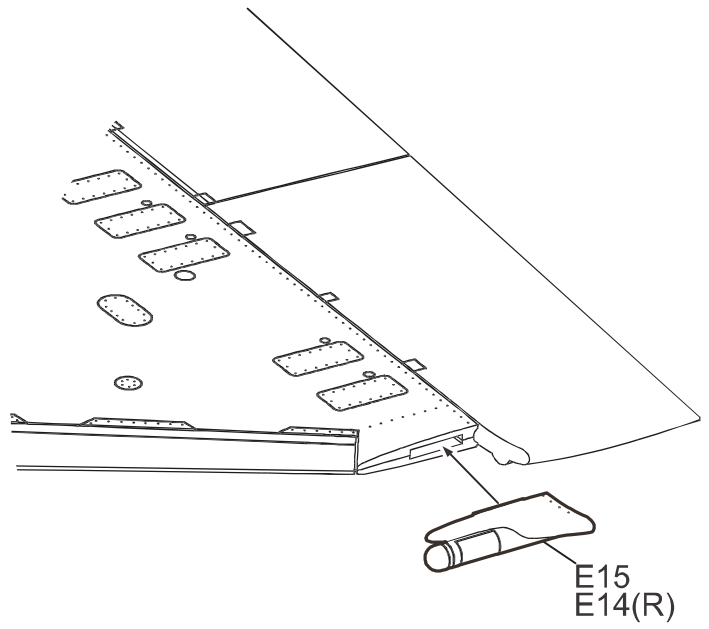
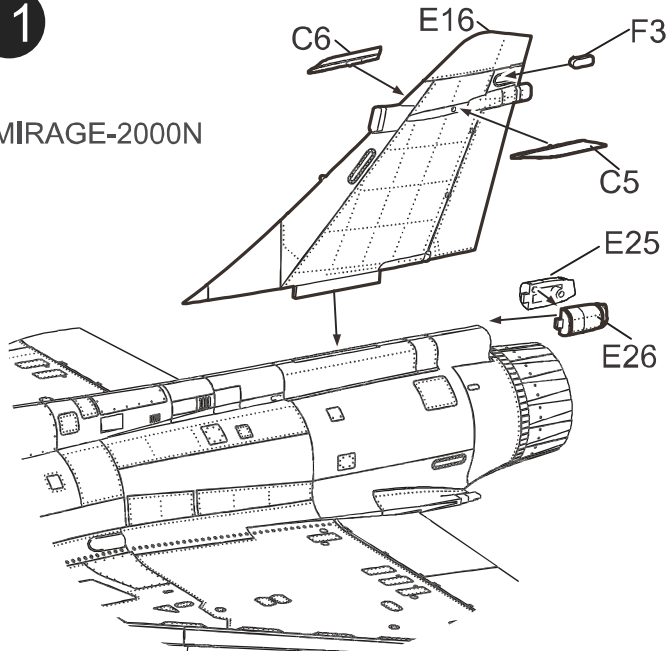


MIRAGE-2000D



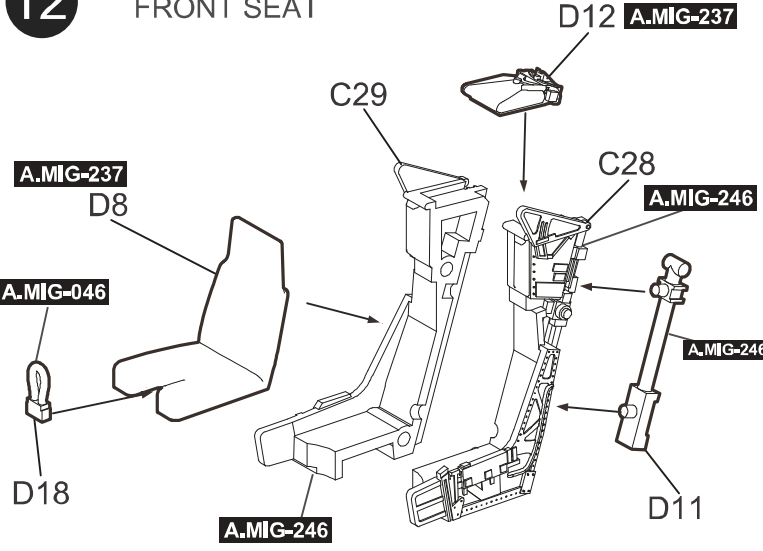
11

MIRAGE-2000N

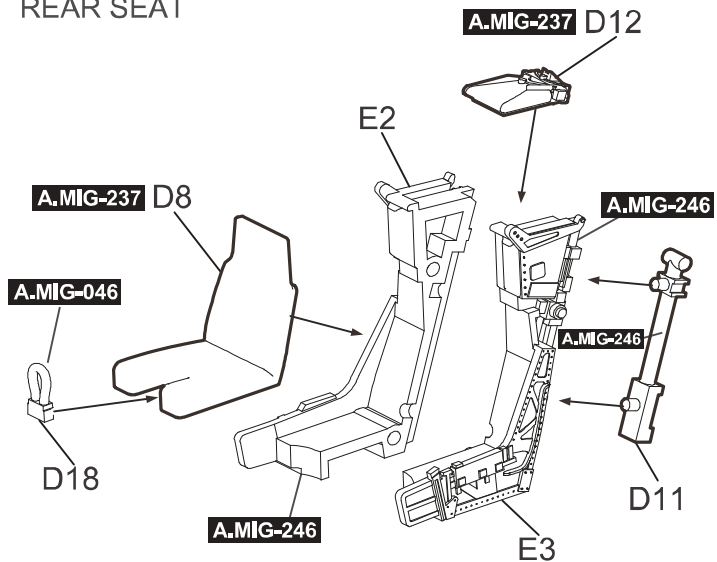


12

FRONT SEAT

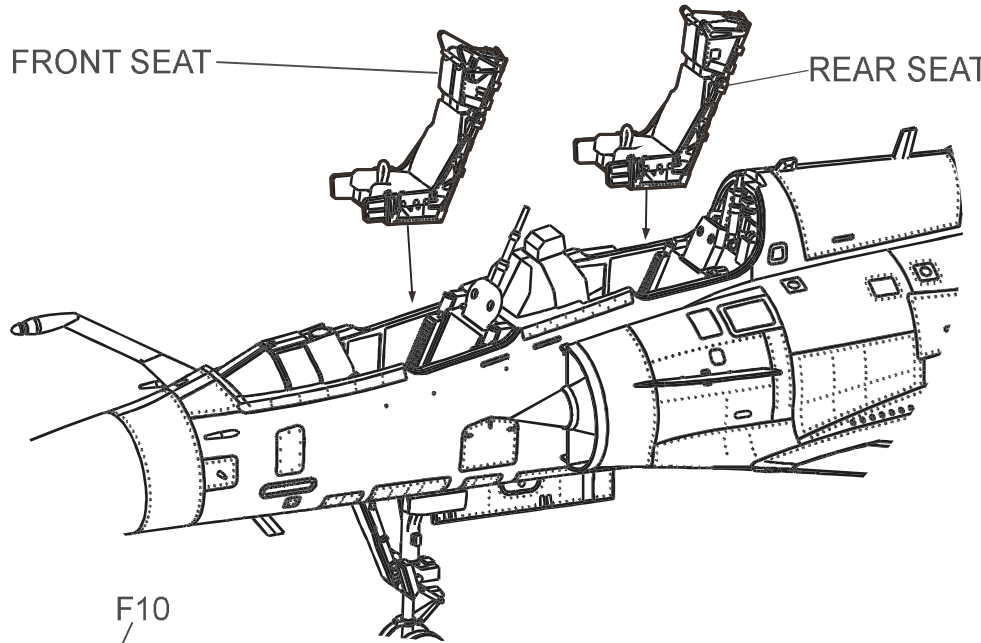


REAR SEAT

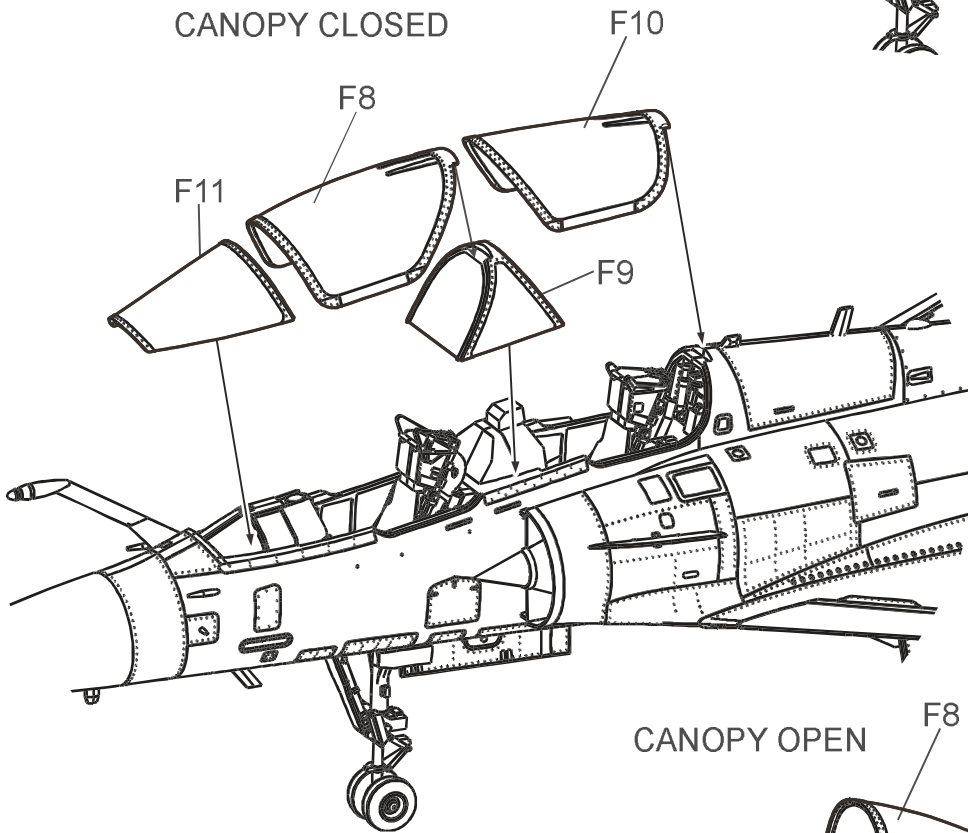


FRONT SEAT

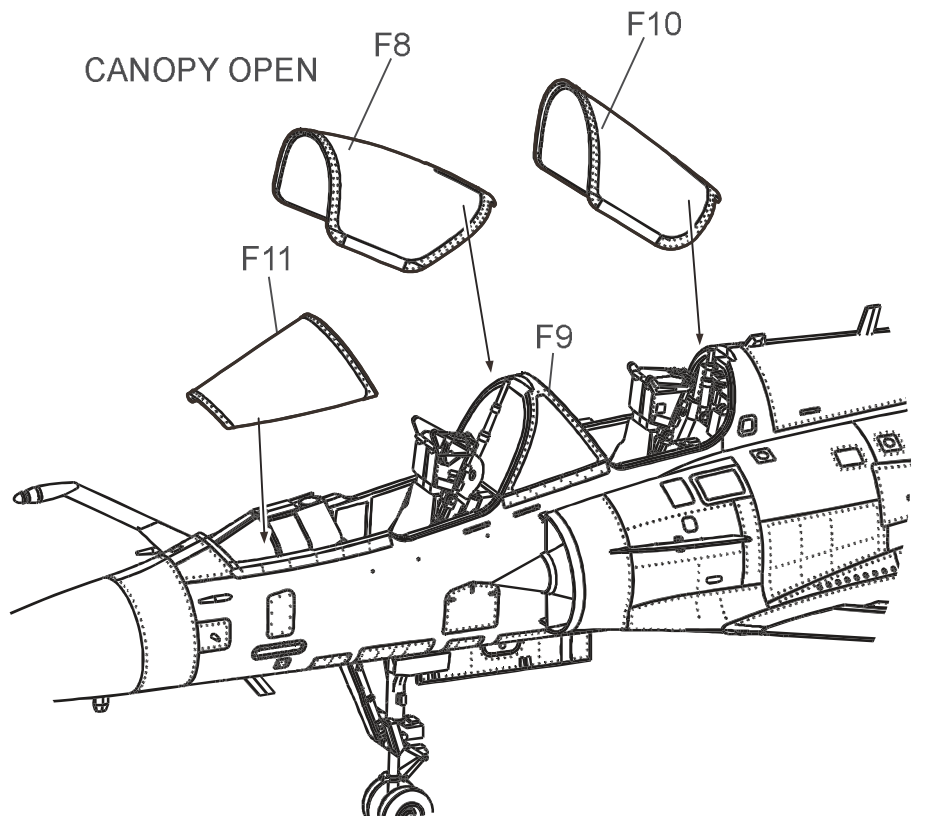
REAR SEAT



CANOPY CLOSED

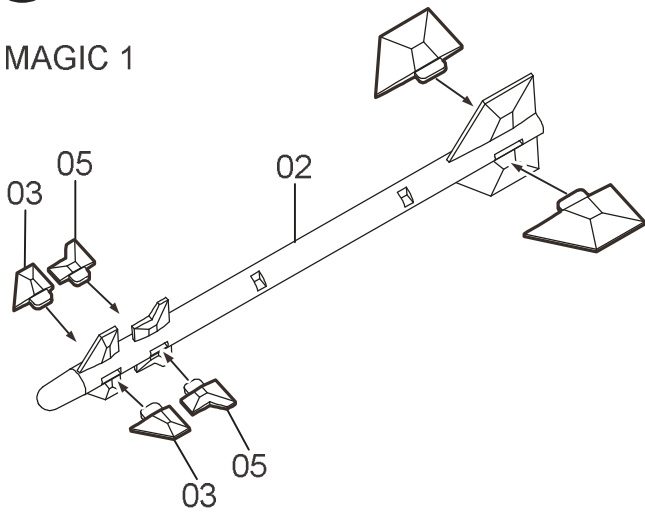


CANOPY OPEN

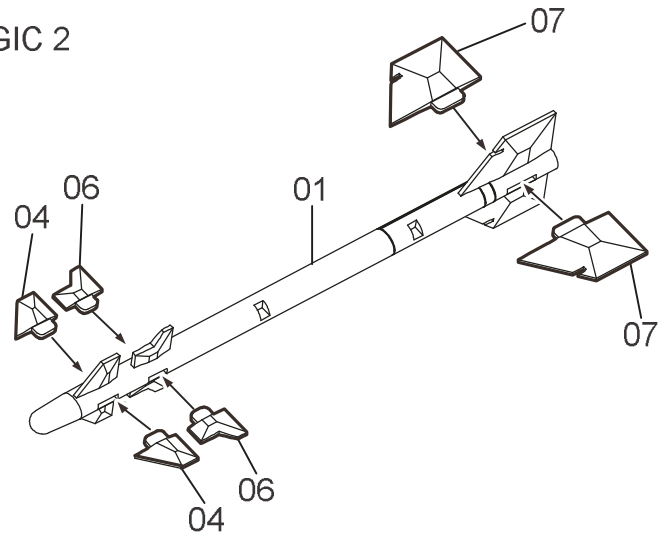


14

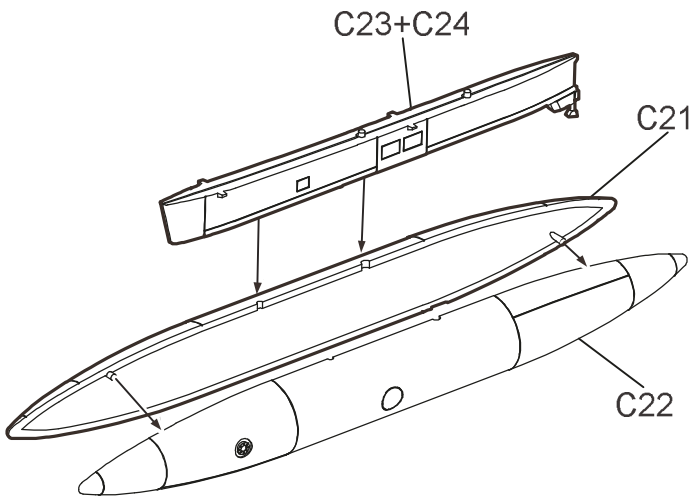
MAGIC 1



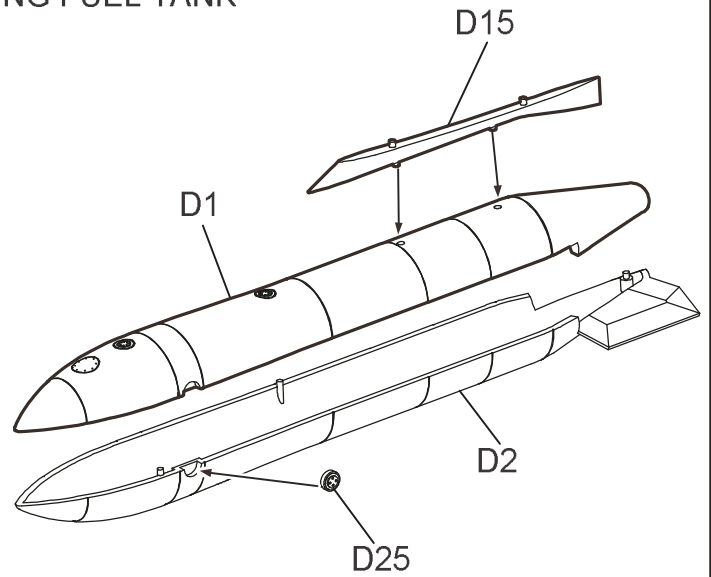
MAGIC 2



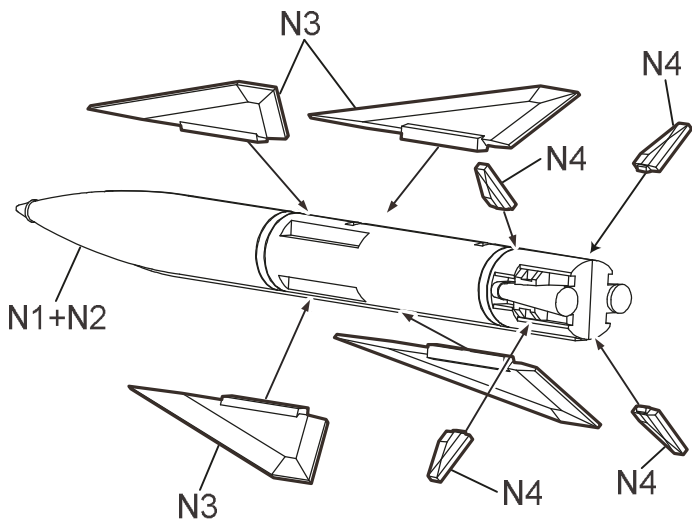
CENTERLINE FUEL TANK



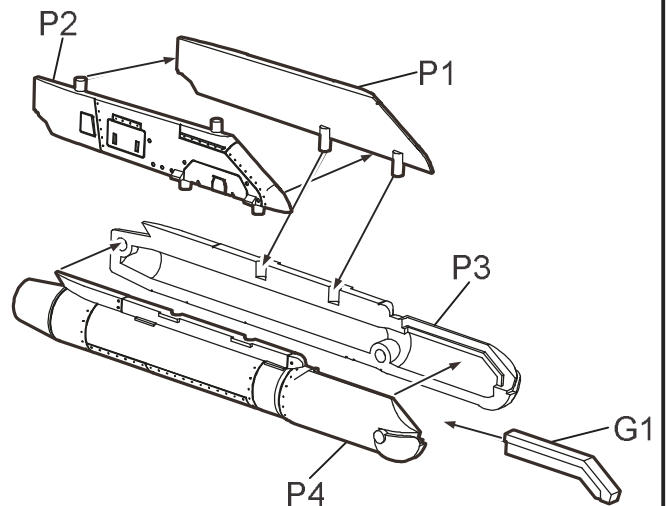
WING FUEL TANK

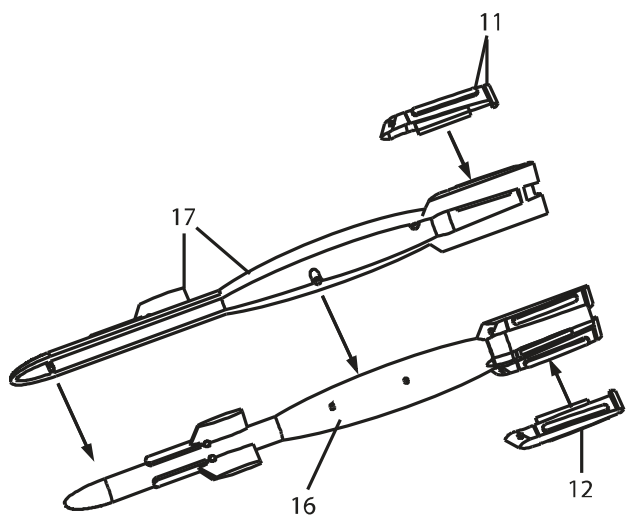


AS-30L

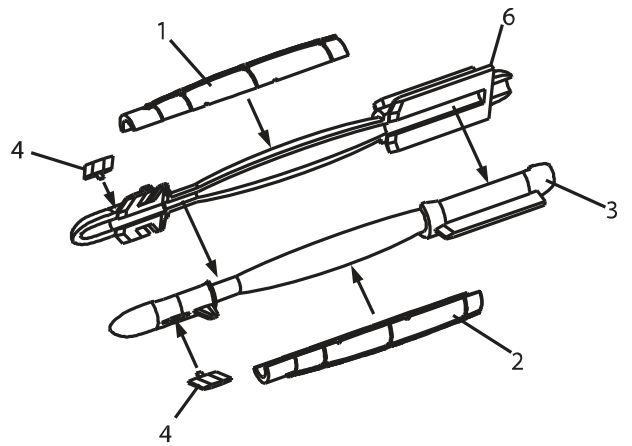


ATLIS

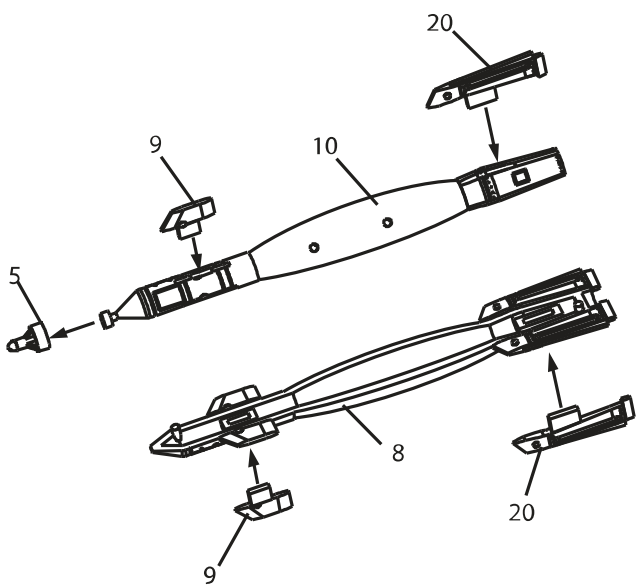
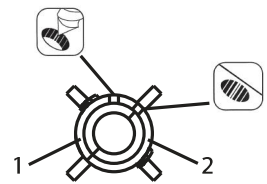




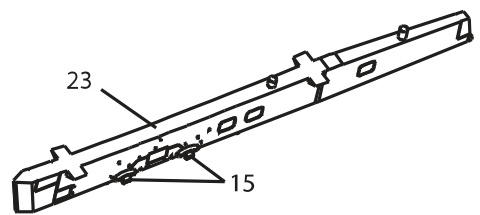
GBU-22 x2



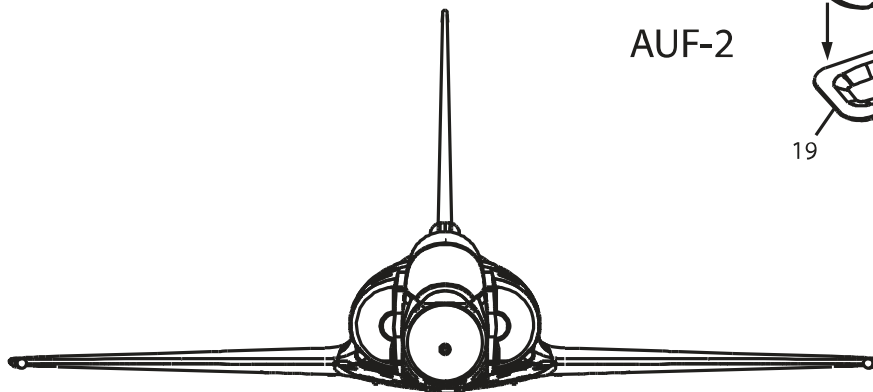
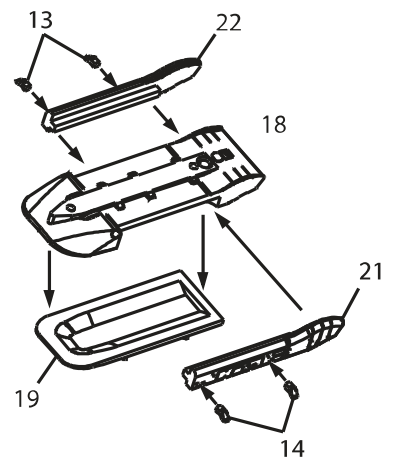
AASM x2



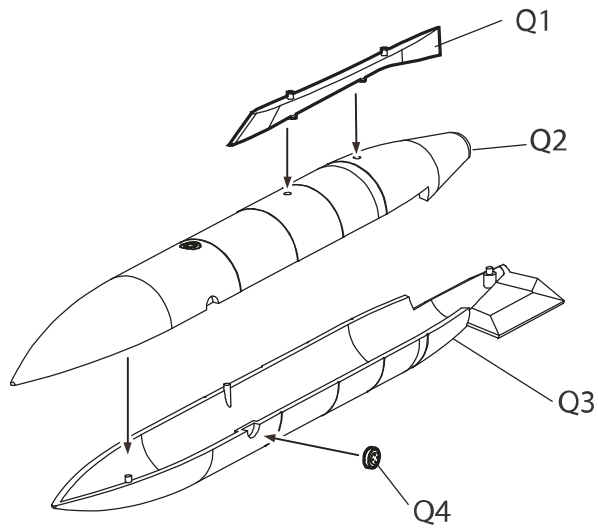
GBU-12 x2



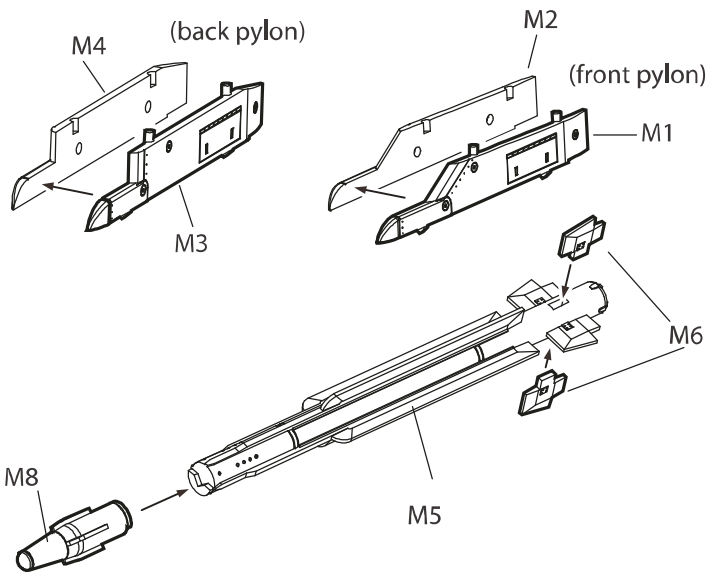
AUF-2



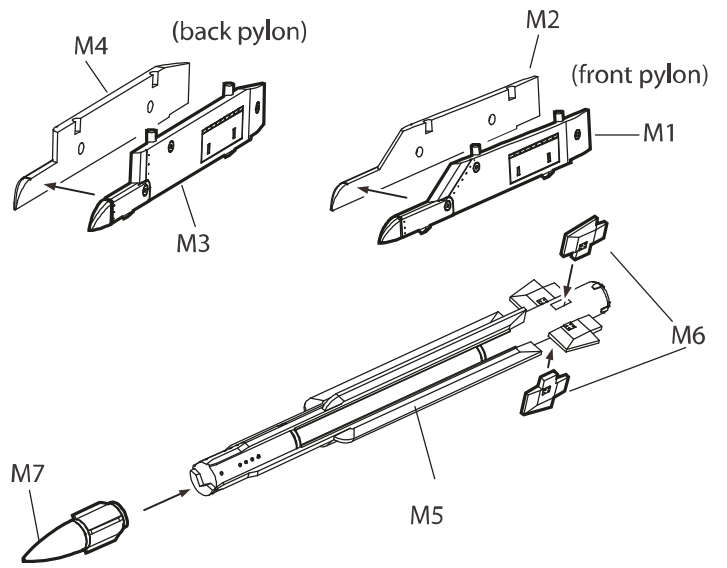
WING FUEL TANK (EXPORT VERSION)



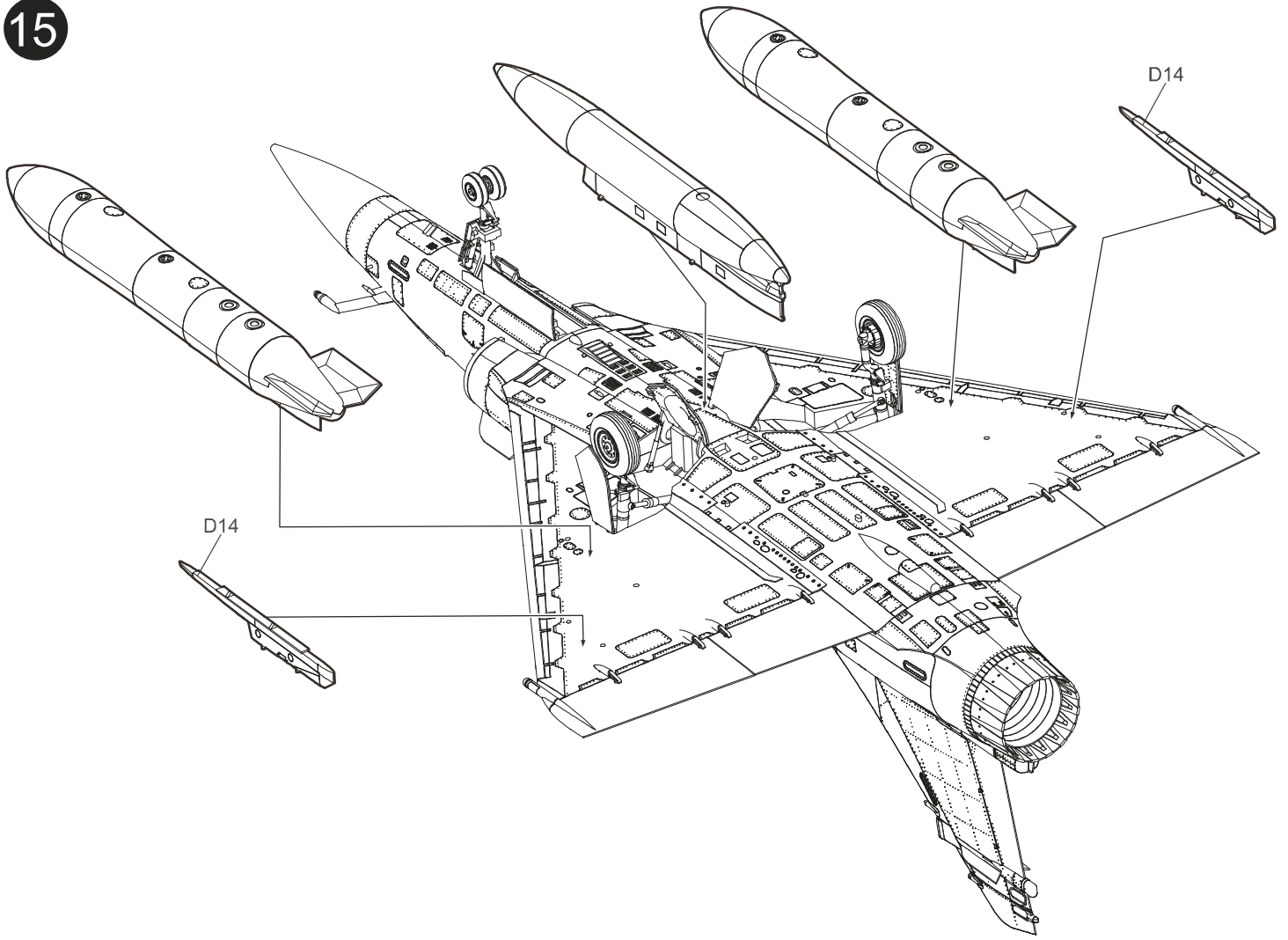
MICA - INFRA RED SEEKING VERSION



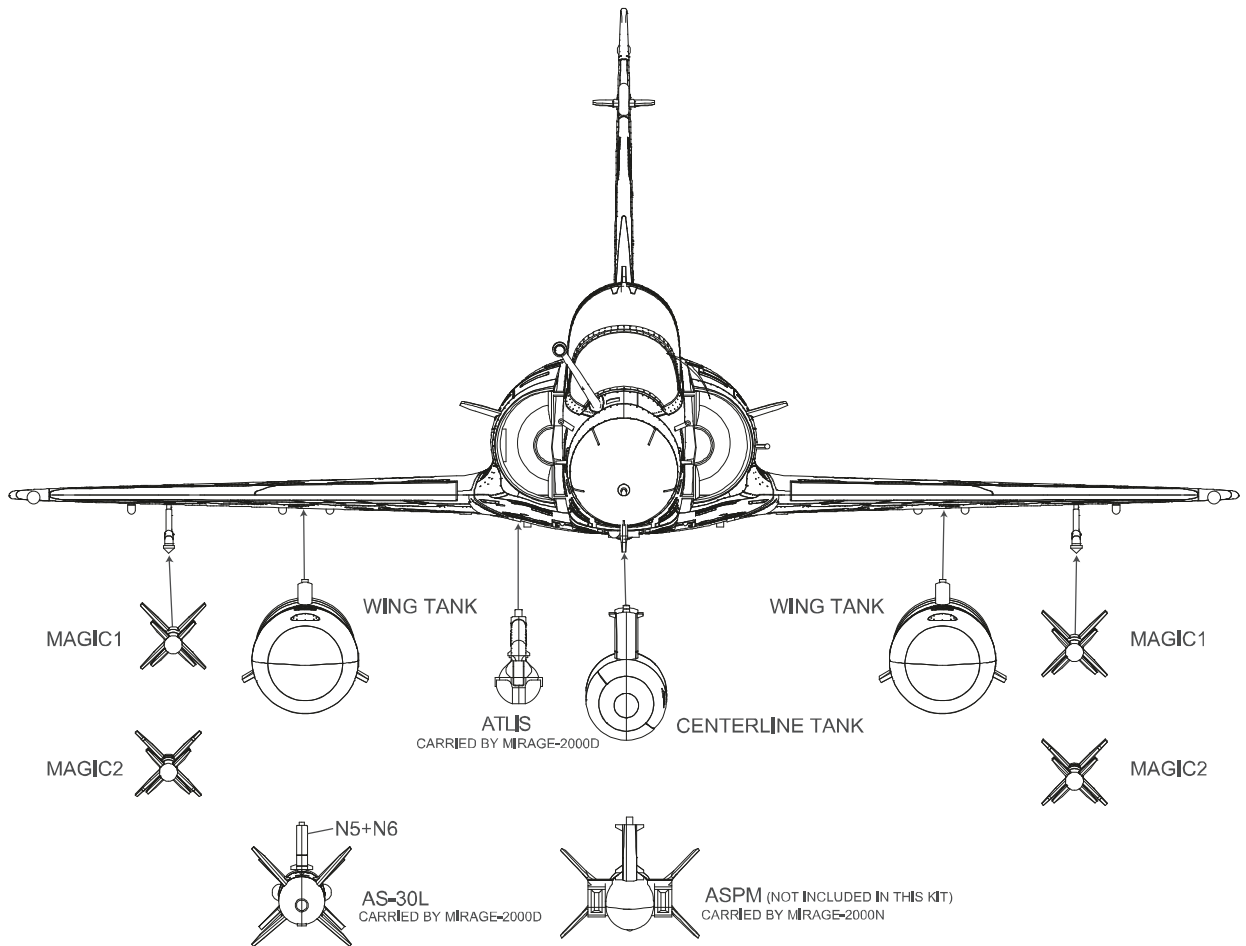
MICA - RADAR SEEKING VERSION



15



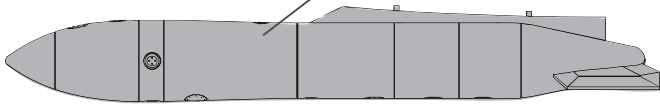
16



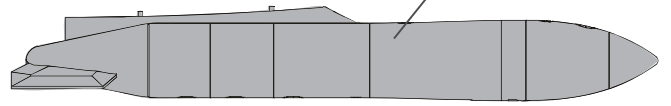
17

MIRAGE-2000B

A.MIG-195 OR A.MIG-203



A.MIG-195 OR A.MIG-203



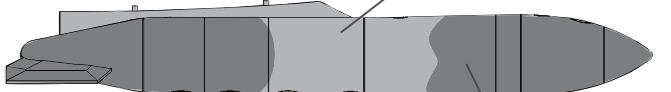
MIRAGE-2000D

A.MIG-248



80% + 20%
A.MIG-235 + A.MIG-084

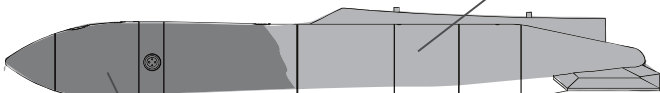
A.MIG-248



80% + 20%
A.MIG-235 + A.MIG-084

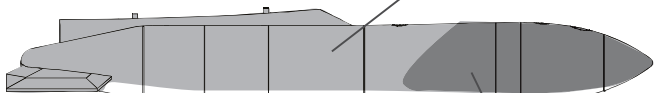
MIRAGE-2000N

A.MIG-248

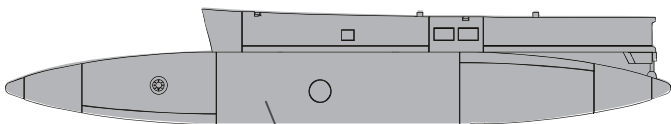


80% + 20%
A.MIG-235 + A.MIG-084

A.MIG-248

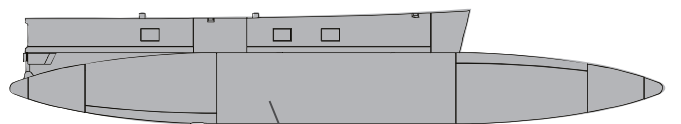


80% + 20%
A.MIG-235 + A.MIG-084



A.MIG-211 MIRAGE-2000N

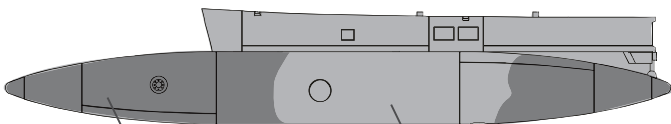
A.MIG-195 OR A.MIG-203 MIRAGE-2000B



A.MIG-211 MIRAGE-2000N

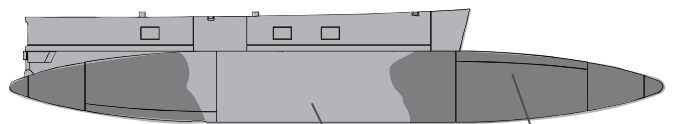
A.MIG-195 OR A.MIG-203 MIRAGE-2000B

MIRAGE-2000D



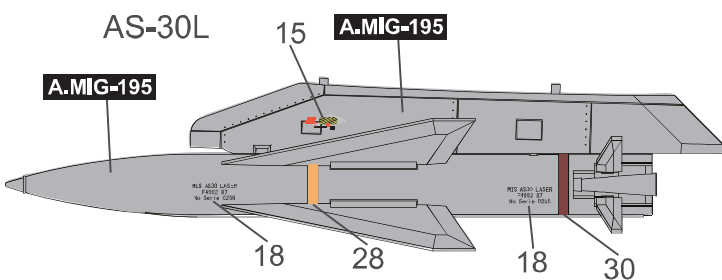
80% + 20%
A.MIG-235 + A.MIG-084

A.MIG-248



A.MIG-248

80% + 20%
A.MIG-235 + A.MIG-084



AS-30L

A.MIG-195

15

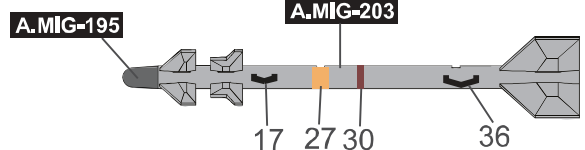
A.MIG-195

18

28

18

30



A.MIG-195

A.MIG-203

17

27

30

36

A.MIG-195

A.MIG-203

17

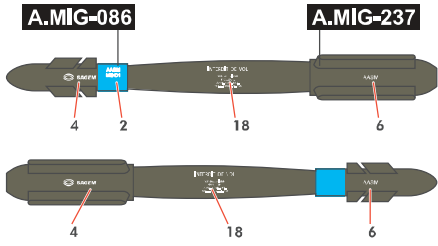
27

30

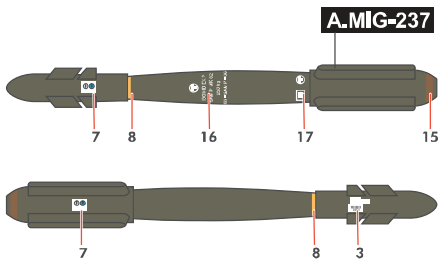
36

AASM

FOR DISPLAY

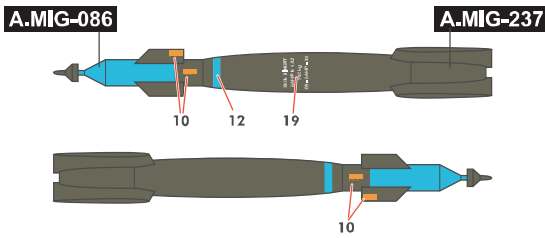


ACTUAL ACTION

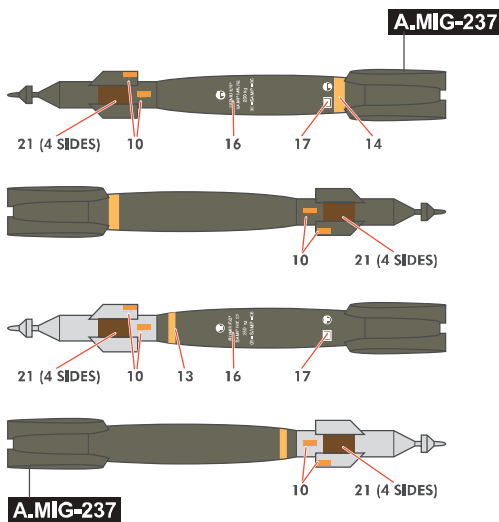


GBU-12

FOR DISPLAY

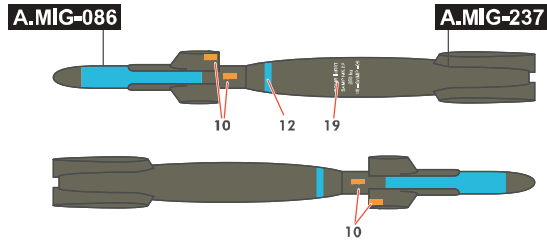


ACTUAL ACTION

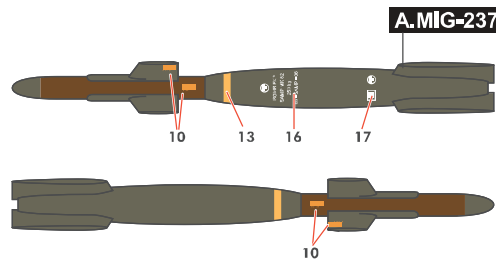


GBU-22

FOR DISPLAY

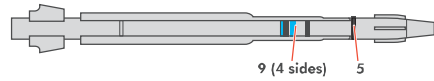


ACTUAL ACTION

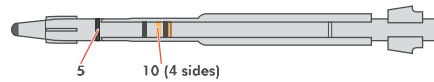


MICA IR

FOR DISPLAY

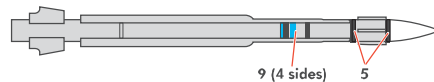


ACTUAL ACTION

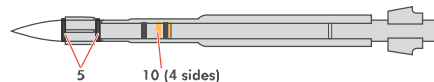


MICA RF

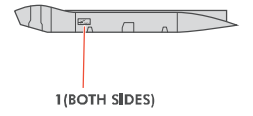
FOR DISPLAY



ACTUAL ACTION

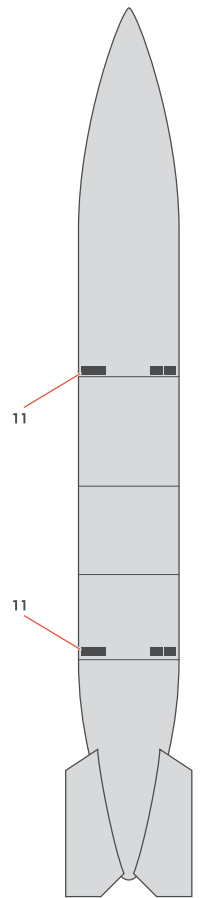


AUF2



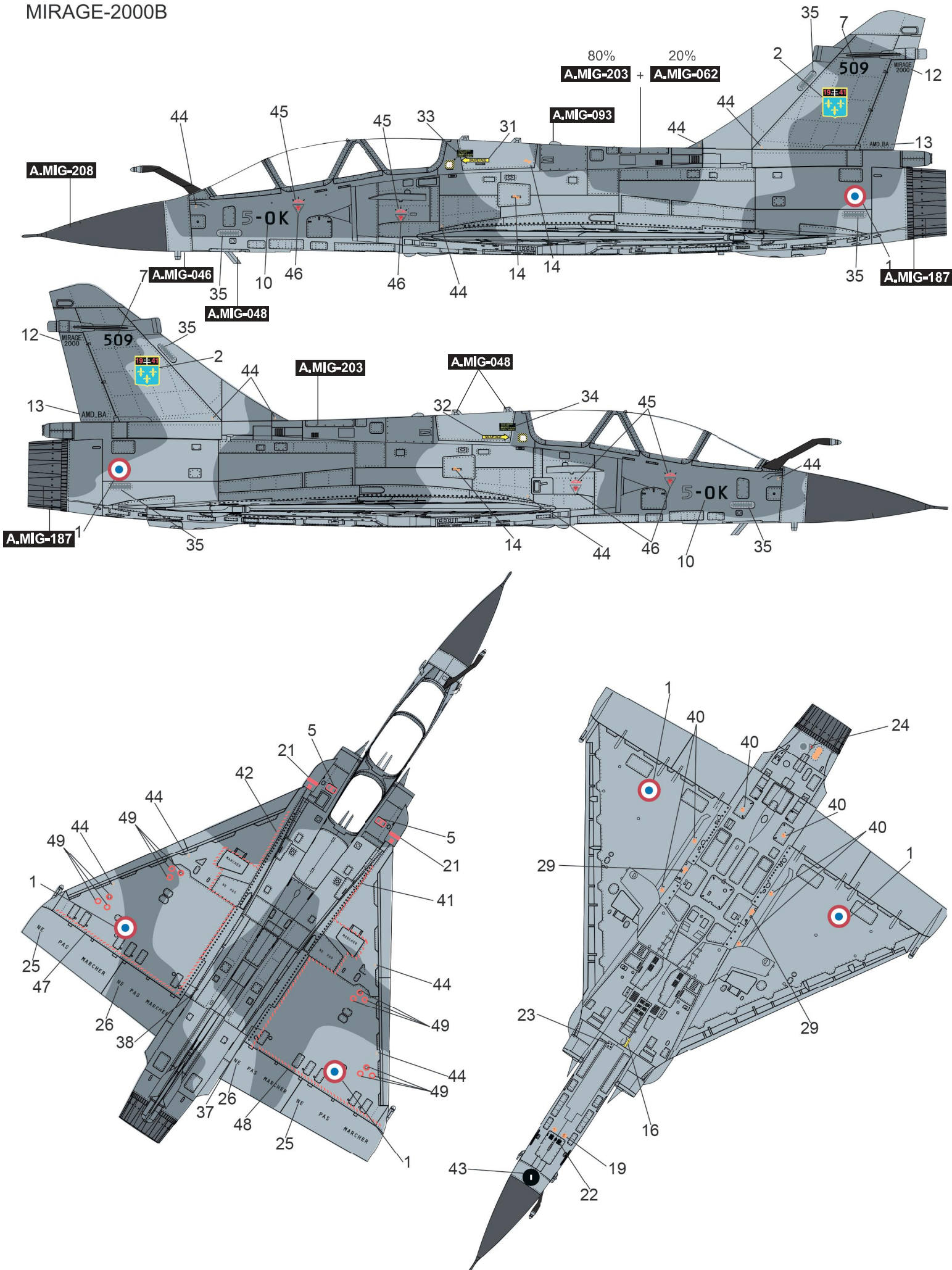
1700L TANK

BOTTOM VIEW



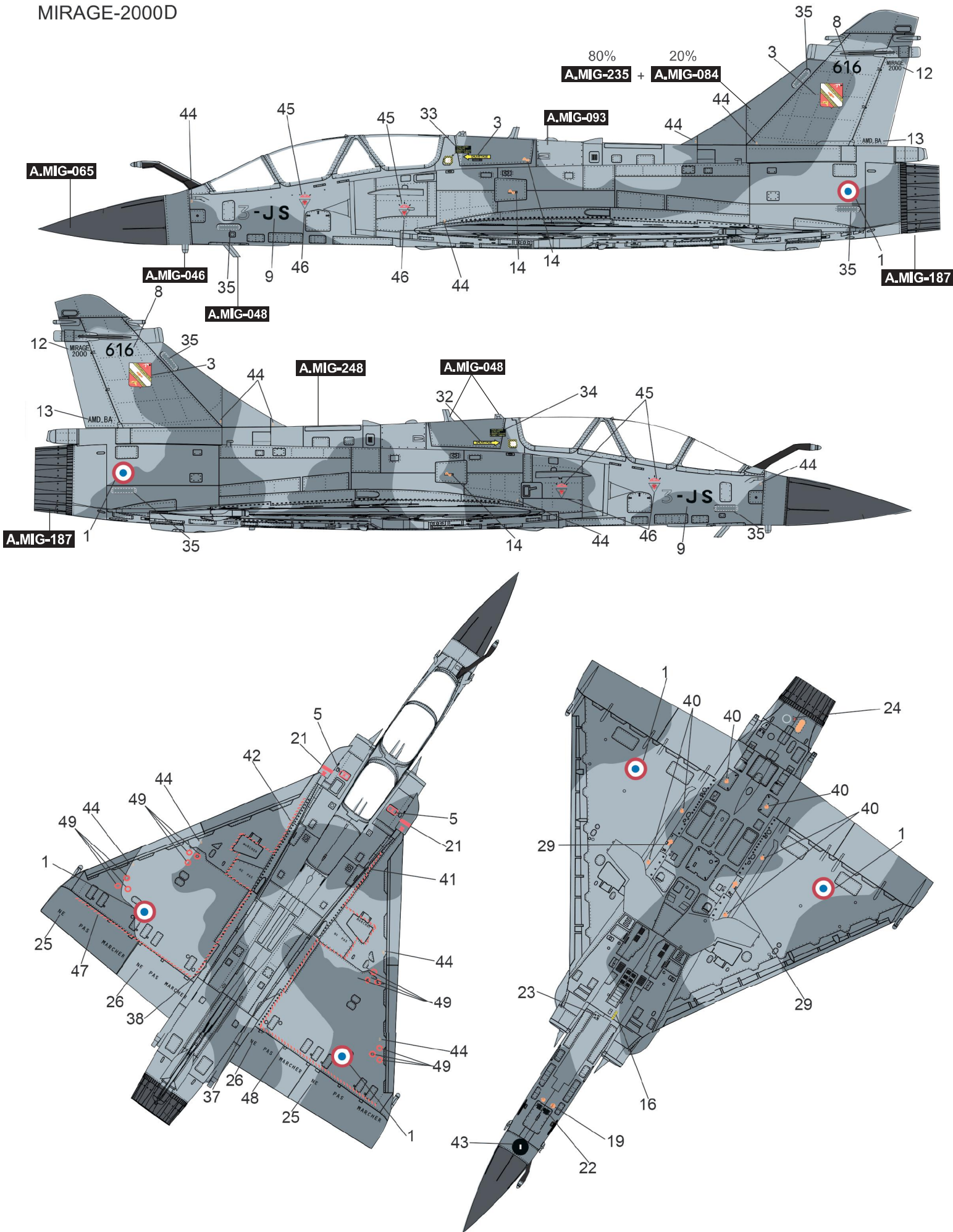
1/48 SCALE AIRCRAFT SERIES NO.K48120

MIRAGE-2000B



1/48 SCALE AIRCRAFT SERIES NO.K48120

MIRAGE-2000D



1/48 SCALE AIRCRAFT SERIES NO.K48120

MIRAGE-2000N

