



84806 T-34/76 Russian TANK 1/48

1942 Factory No.112

PLEASE READ BEFORE OPERATION!

- * Tools recommended as below: (Not included)
Adhesives; Paints; Side Cutters; Sharp Edged Pliers; Modeling Knife; Modeling File; Nippers; Drill; Scissors; Sand Paper; Soft Cloth; Cyanoacrylate Glue.
- * Make sure to read this instruction listed below before assembling.
- * The kit contains the small parts, they can be dangerous if swallowed by mistake, so keep them away from reach of children.
- * Cut the all parts off carefully and remove the waste parts into the garbage can.
- * More caution and care should be needed for cutting and handling the photo etched parts.
- * Make attention that some parts should be attached the decal when assembled.
- * During assembling, please tear up and throw away the plastic bags, or may cause the dangerous if wearing over head by children's mistake.
- * When using the adhesives and paints, please do not use them in the closed room or near the fire, also must be very careful to protect your eyes, face and clothes.
- * Adult supervised when assembled by children under 14 years old.

装配前请仔细阅读：

- * 推荐使用的模型工具(请自备):
专用模型胶水, 专用模型油漆, 水口剪刀, 长咀钳, 刀片, 锉刀, 镊子钳, 钻, 剪刀, 软布, 砂纸, 瞬间快干胶等。
- * 用水口剪刀或刀片小心切下所有塑胶零件和蚀刻片零件, 不要遗失小零件。
- * 切取蚀刻片时应特别注意防止利边划伤手指。
- * 用模型锉刀小心锉平所有零件表面的注射浇口。
- * 用适量的强力快干胶水粘合蚀刻片零件和金属轴, 切忌过量, 否则可能导致可动零件被粘住。
- * 注意某些零件表面需在装配时同步贴水上贴纸。
- * 制作时应远离幼儿并将包装袋及时收妥, 谨防小孩玩耍而引起意外。



cyanoacrylate glue
强力胶



weight
配重



make hole
钻孔



cut / remove
切除



option
选择



no cement
不涂胶水



decal
贴纸



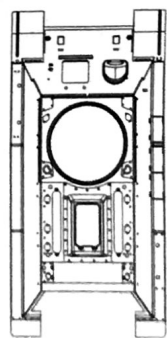
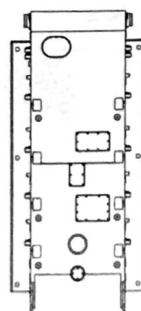
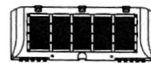
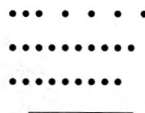
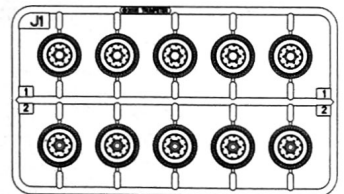
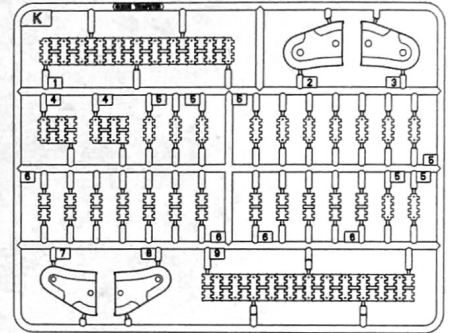
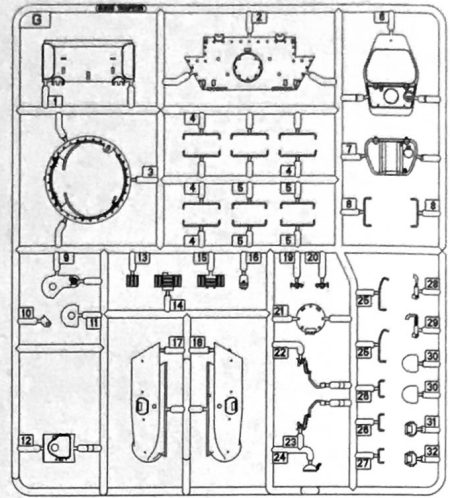
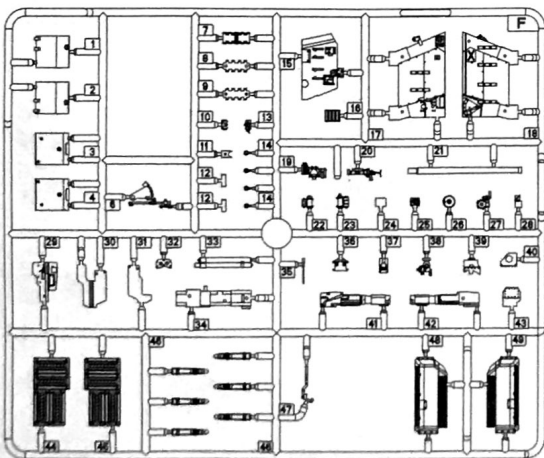
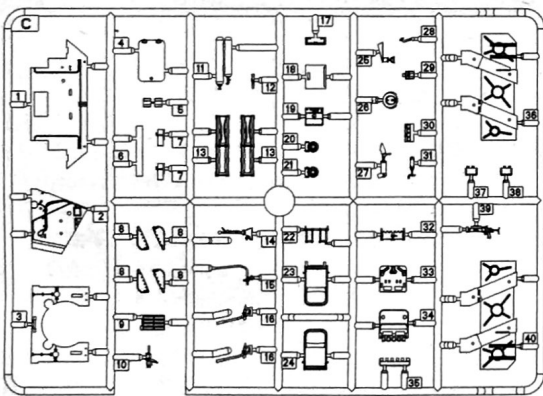
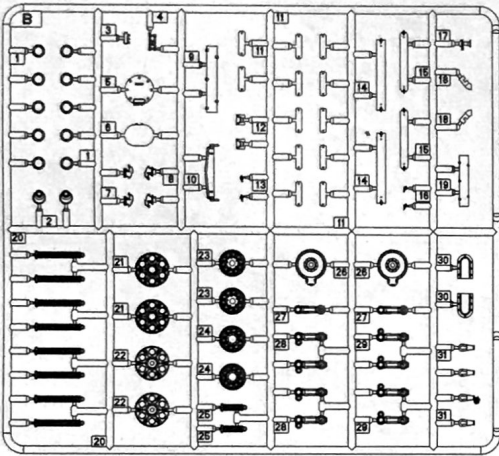
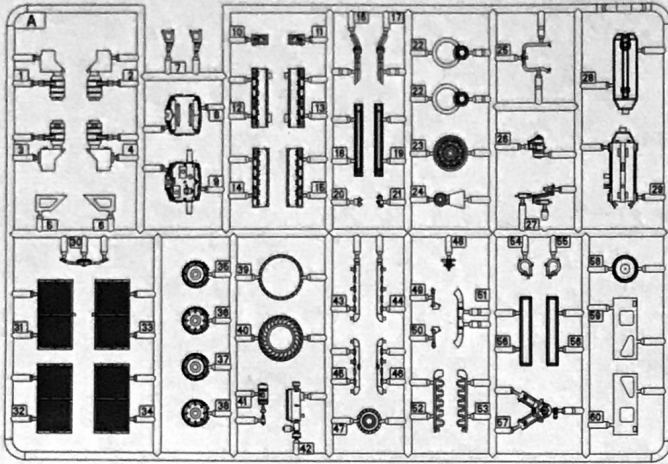
bend
弯曲

The way to apply the decals

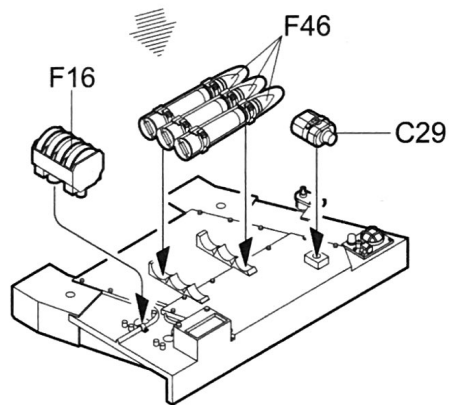
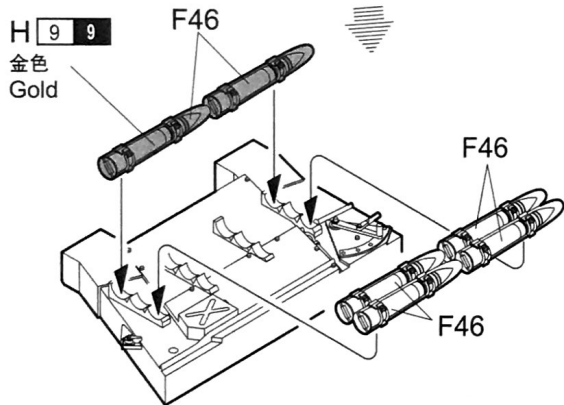
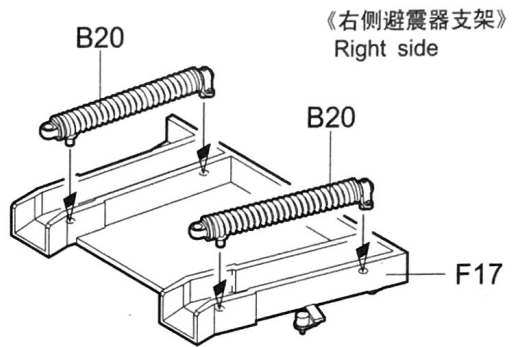
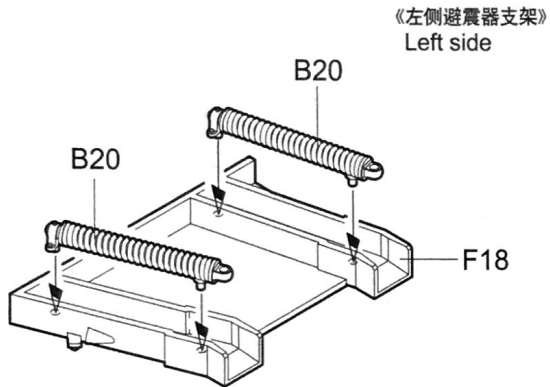
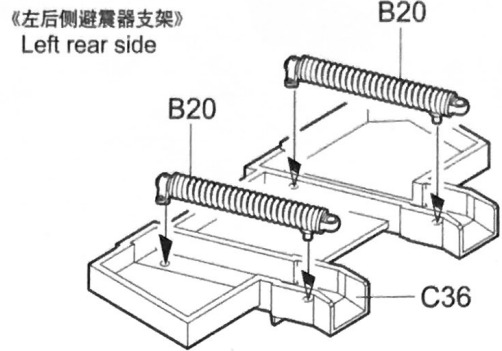
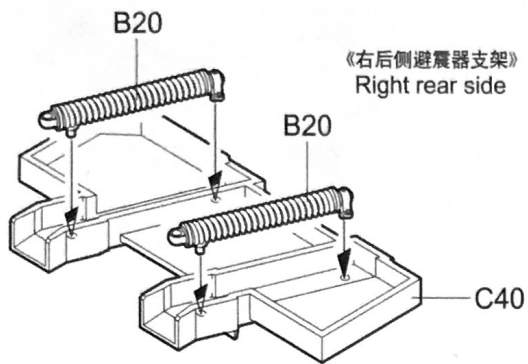
1. Cut off the decal from the decal paper and put it into the warm water 40 C for 10 seconds.
2. Take the decal from the water and put it on a piece of clean cloth.
3. Remove the decal slowly from the paper to the targeted location by a wet finger.
4. Use a piece of dry and soft cloth to press it gently on the decal until it getting dry and no bubble existing.

水贴纸的使用方法：

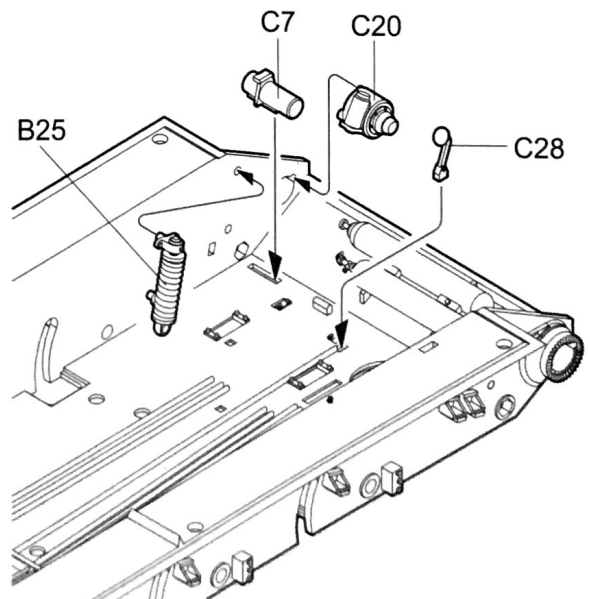
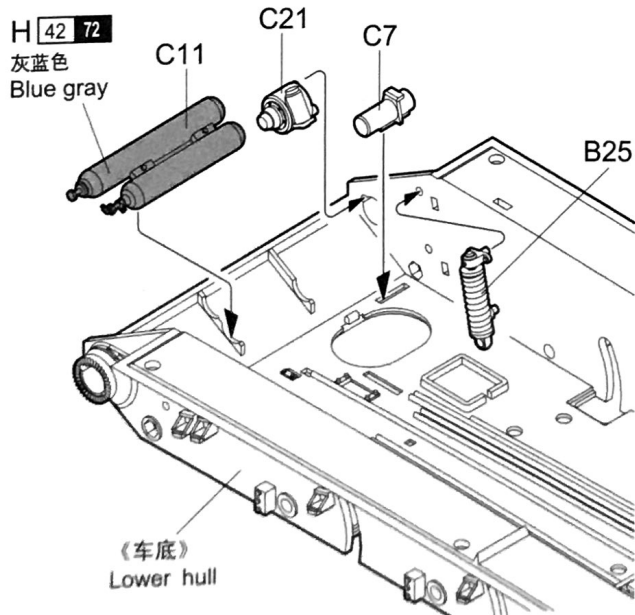
- 一. 把相关的印花从水贴上剪下, 放入40℃左右的温水中浸10秒。
- 二. 然后将印花放在干净的布上。
- 三. 拿上印花纸板, 手指蘸水将印花移到适当的位置。
- 四. 用软干布轻压印花直至水干, 气泡消失。



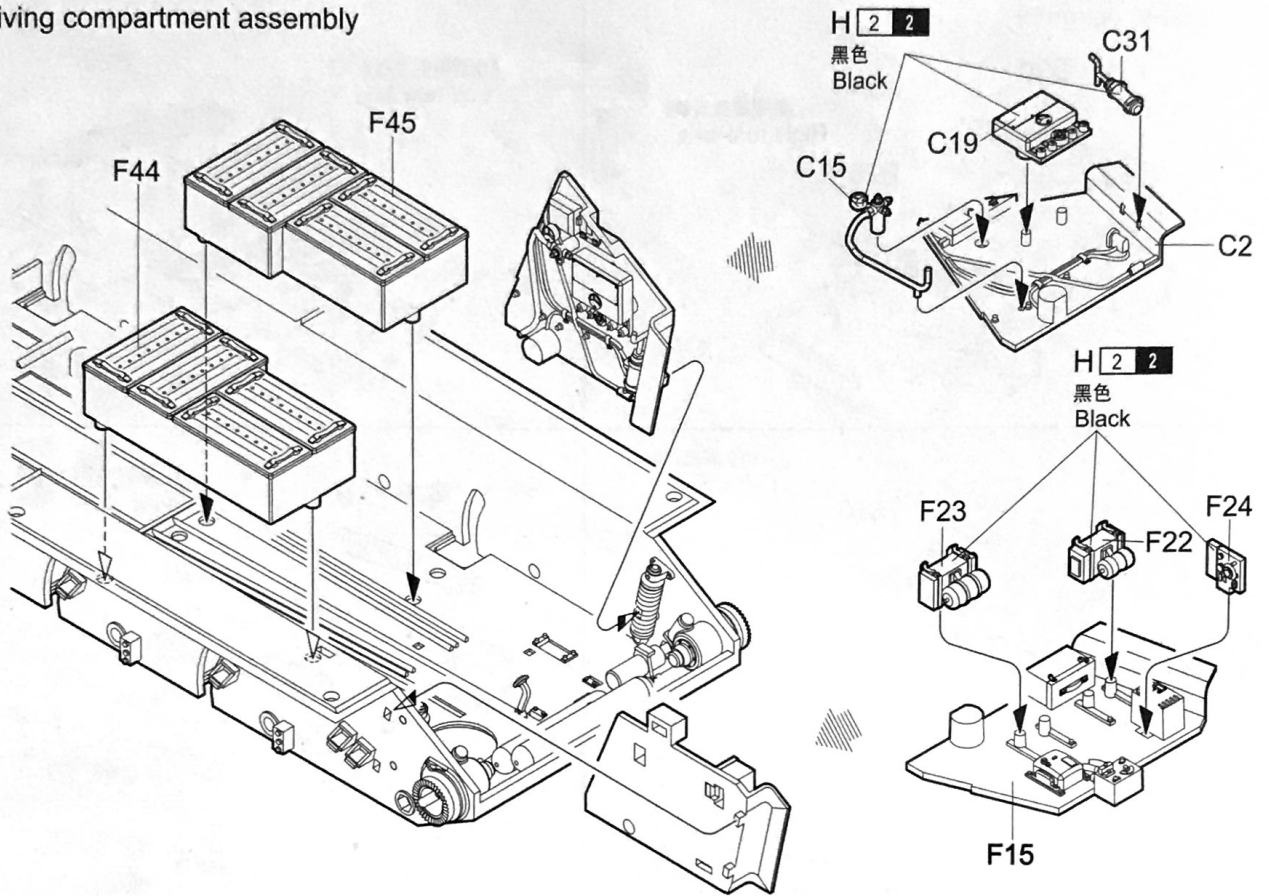
1 避震器支架组装
Side plate assembly



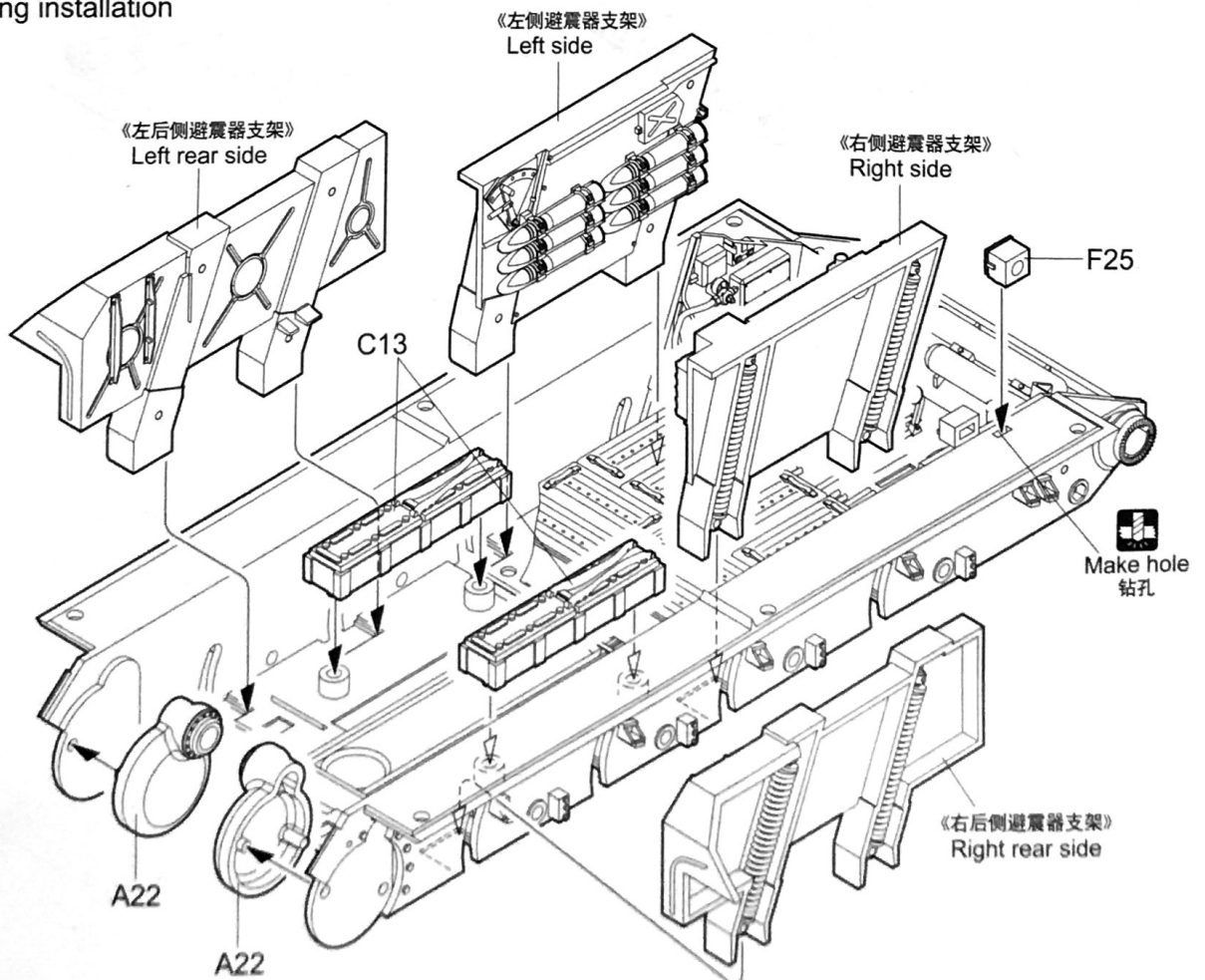
2 驾驶室组装
Driving compartment assembly



3 驾驶室组装
Driving compartment assembly

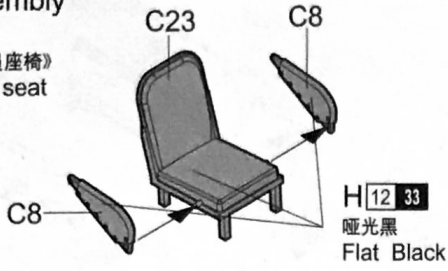


4 避震器支架安装
Adjusting installation

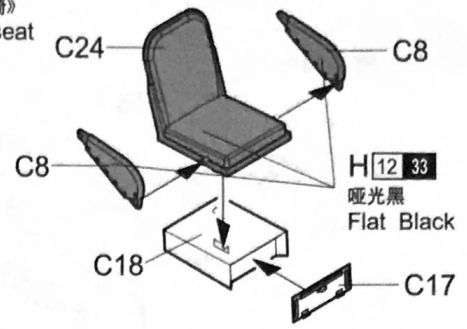


5 座椅组装
Seat assembly

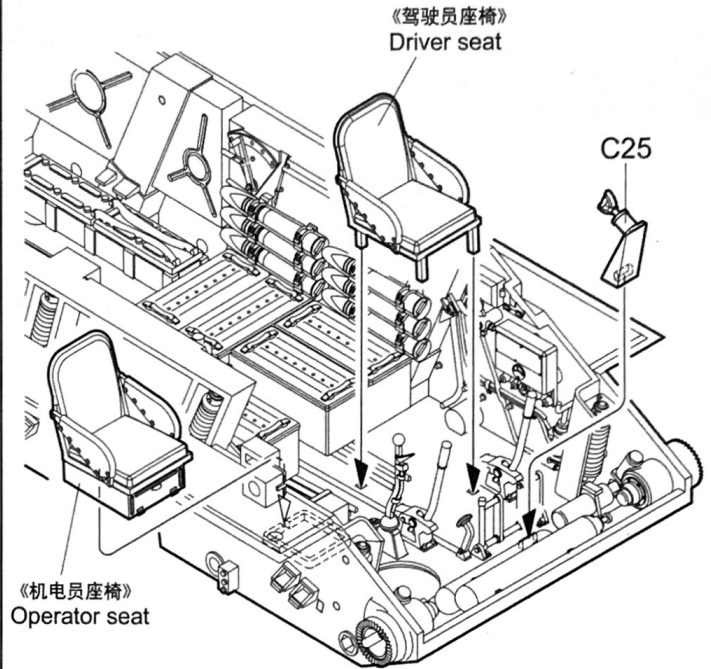
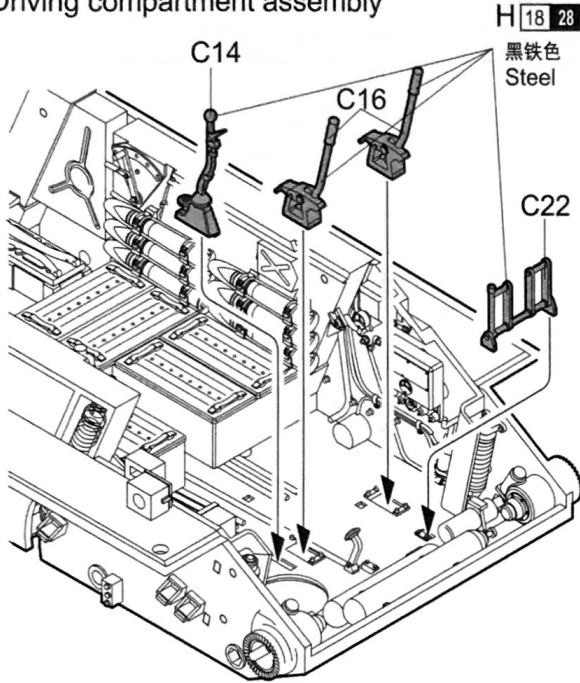
《驾驶员座椅》
Driver seat



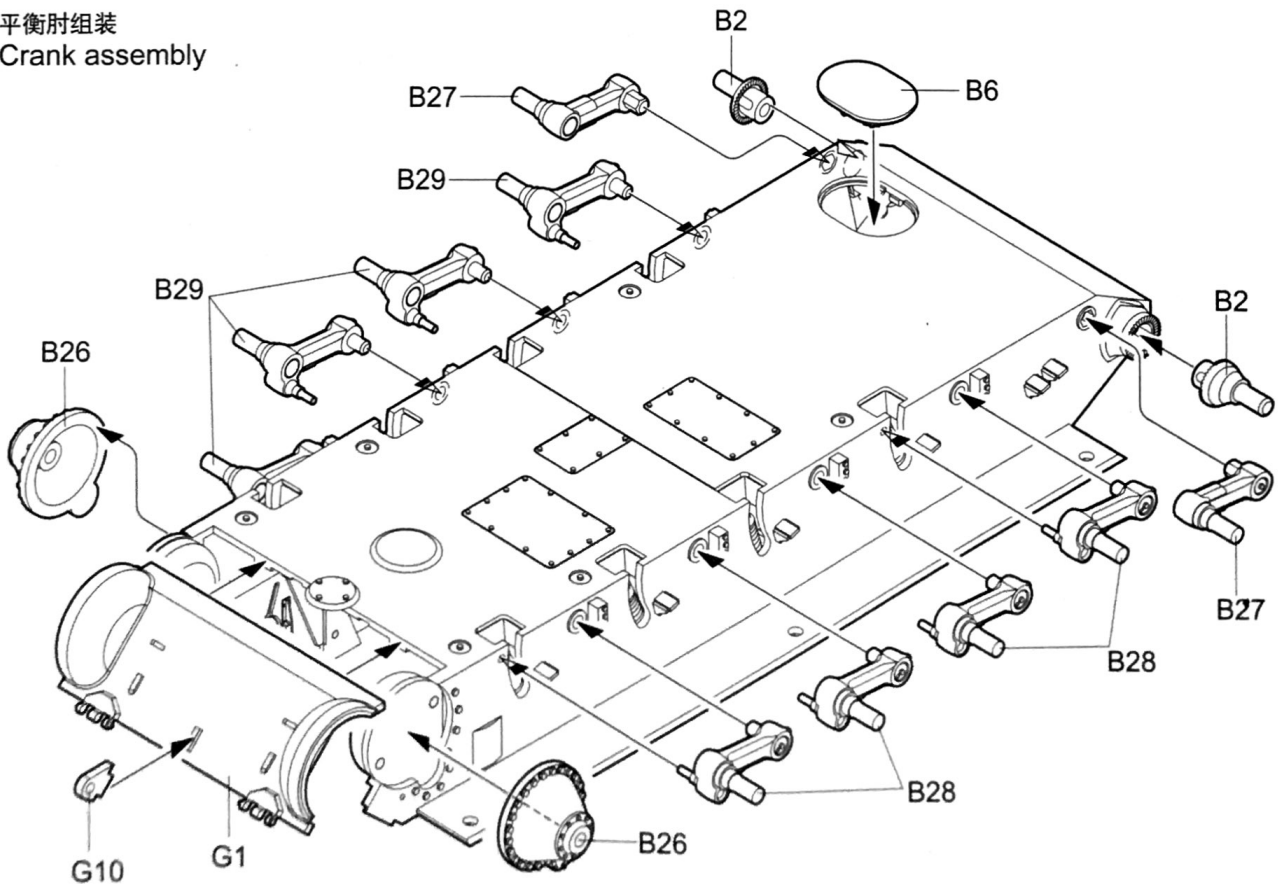
《机电员座椅》
Operator seat



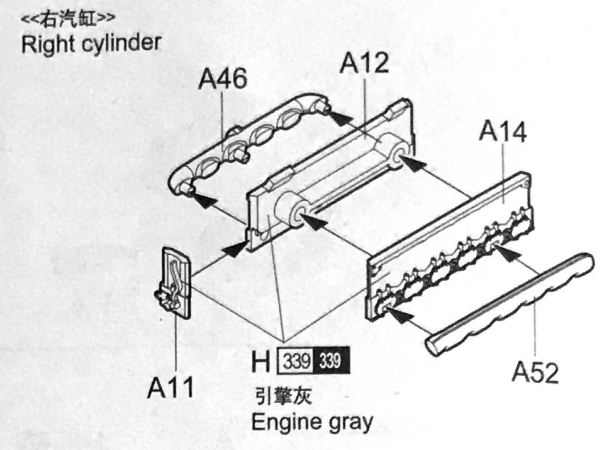
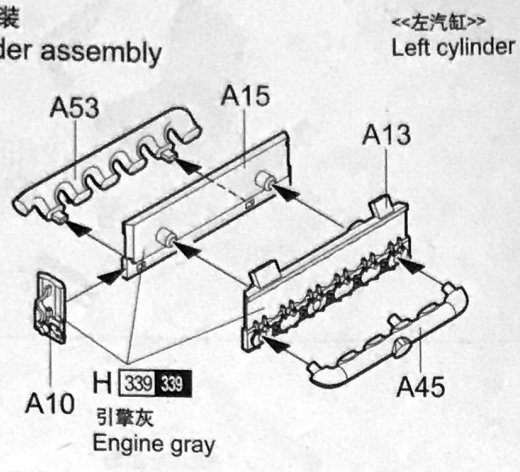
6 驾驶室组装
Driving compartment assembly



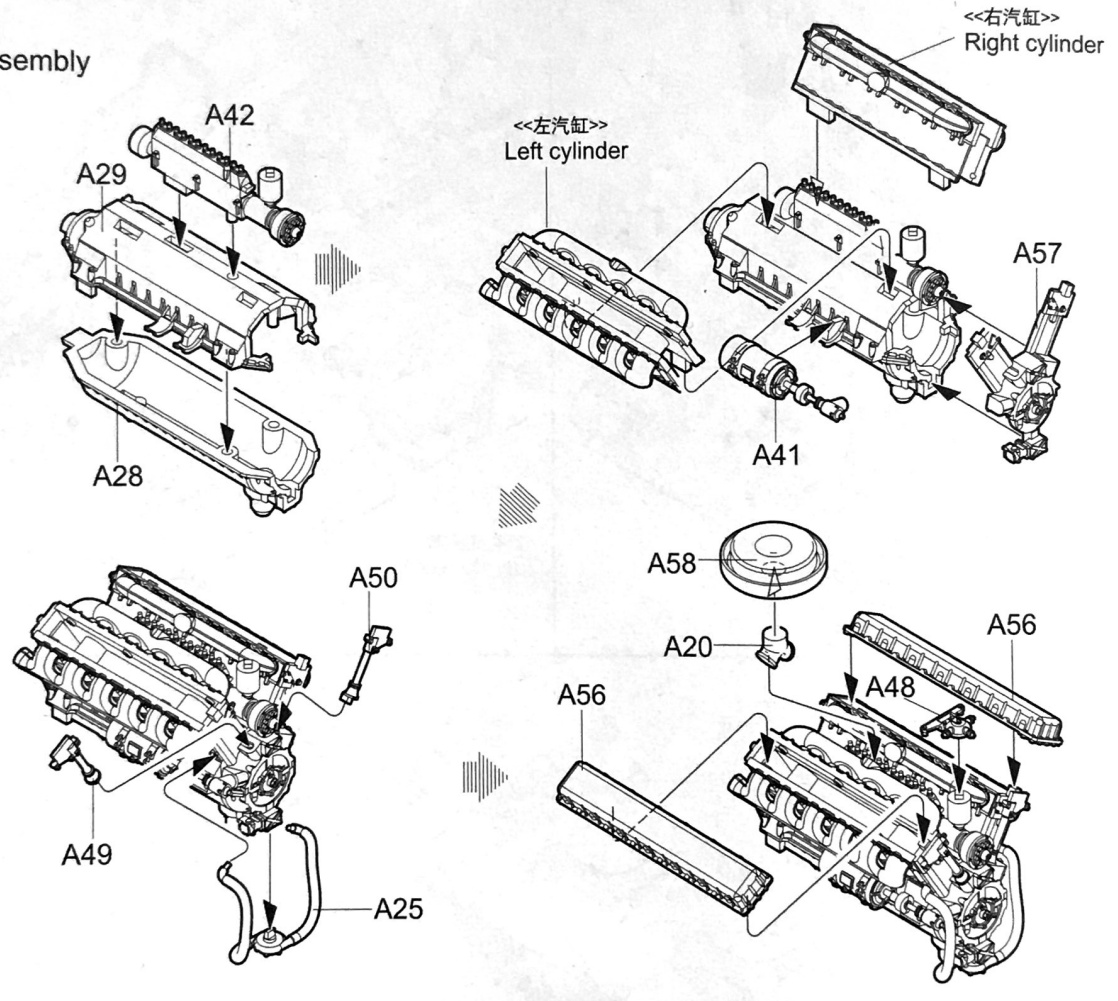
7 平衡肘组装
Crank assembly



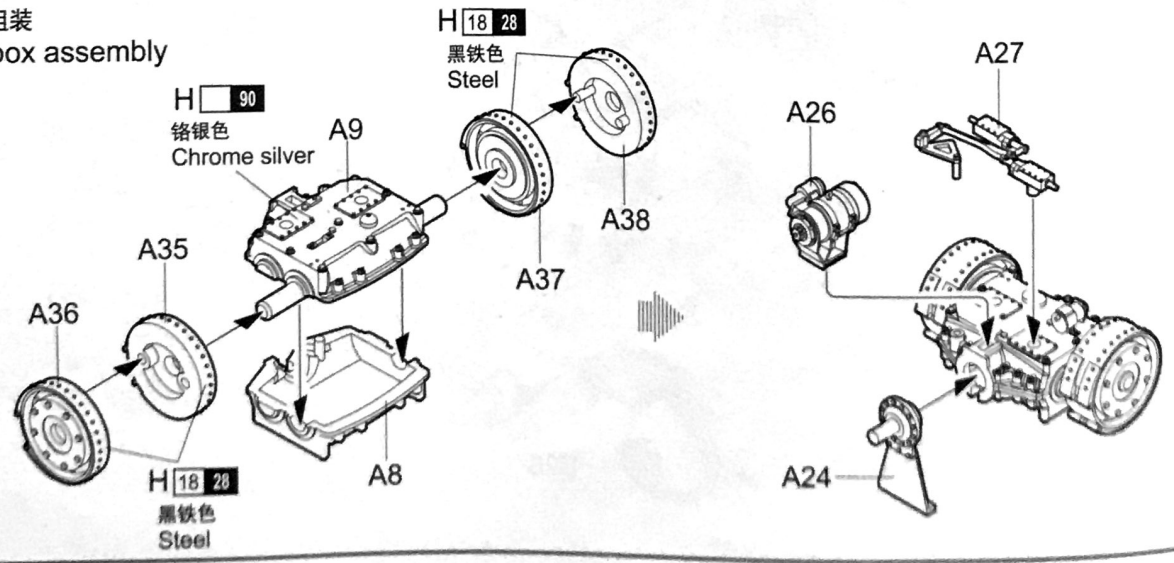
8 汽缸组装
Cylinder assembly



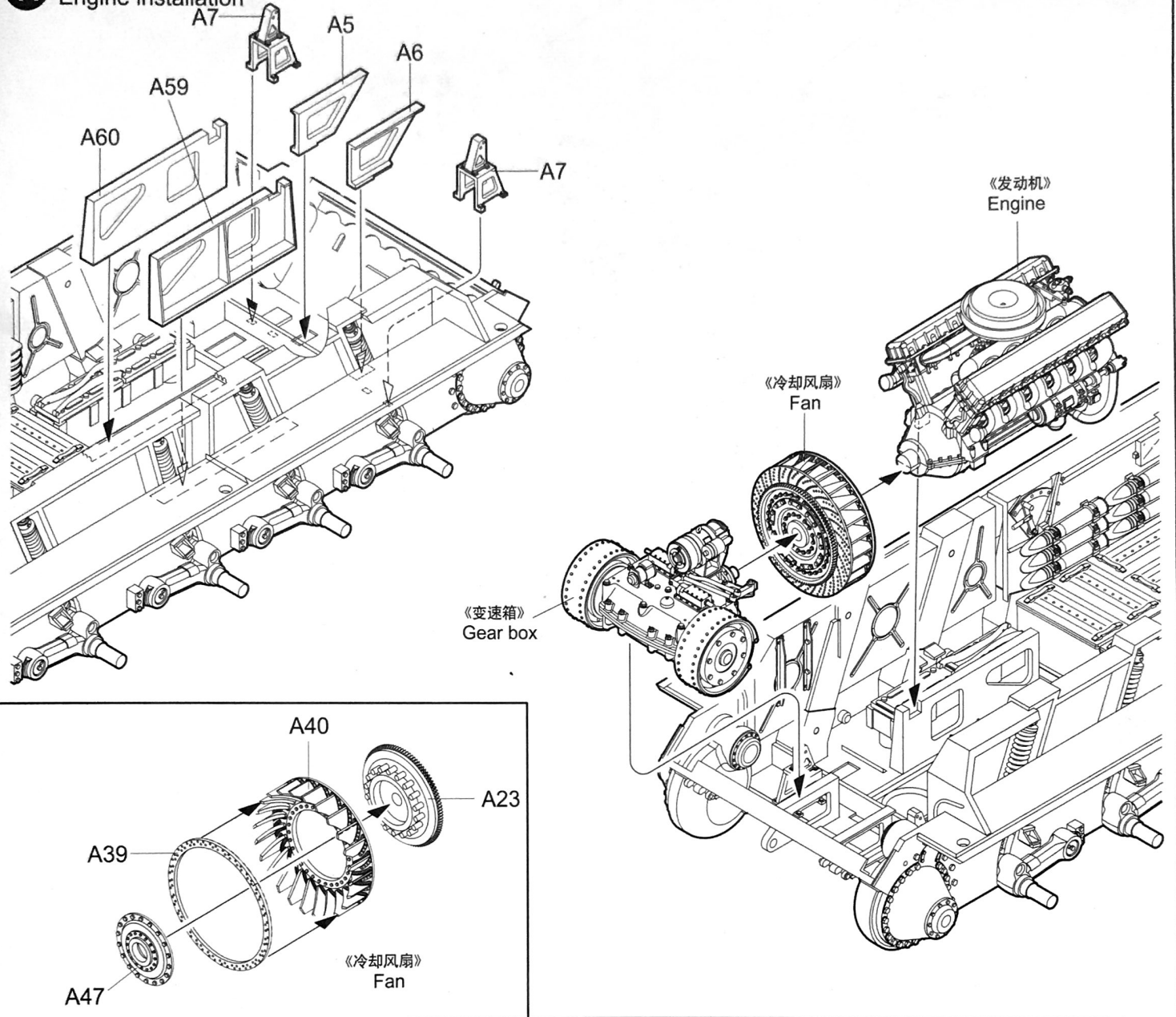
9 发动机组装
Engine assembly



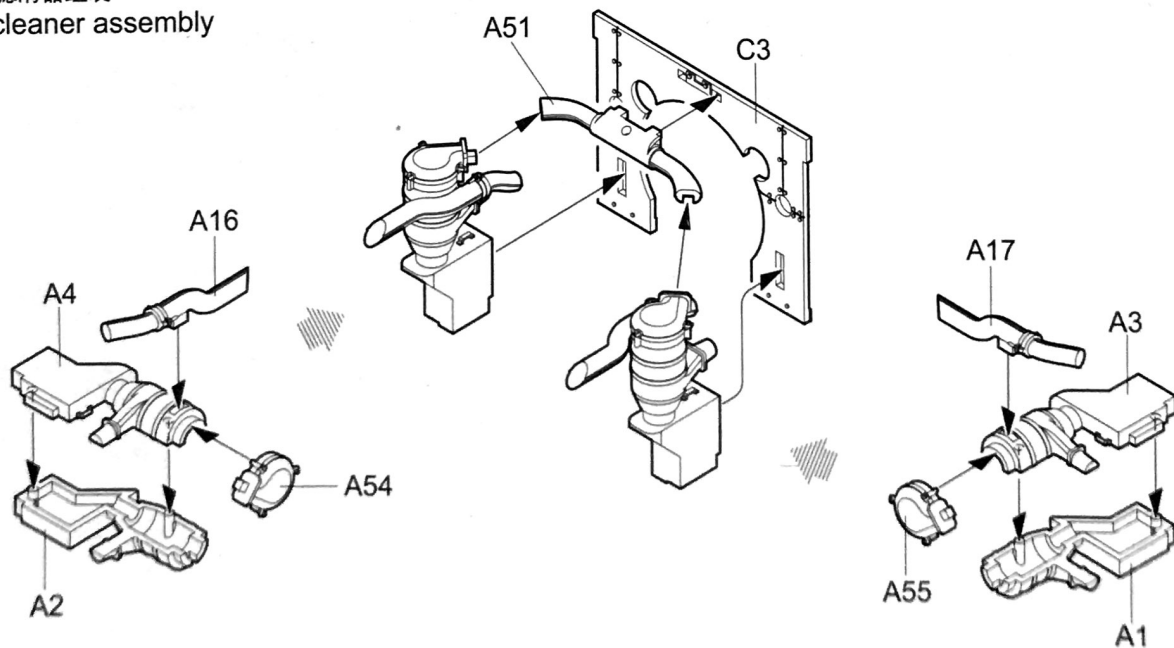
10 变速箱组装
Gear-box assembly



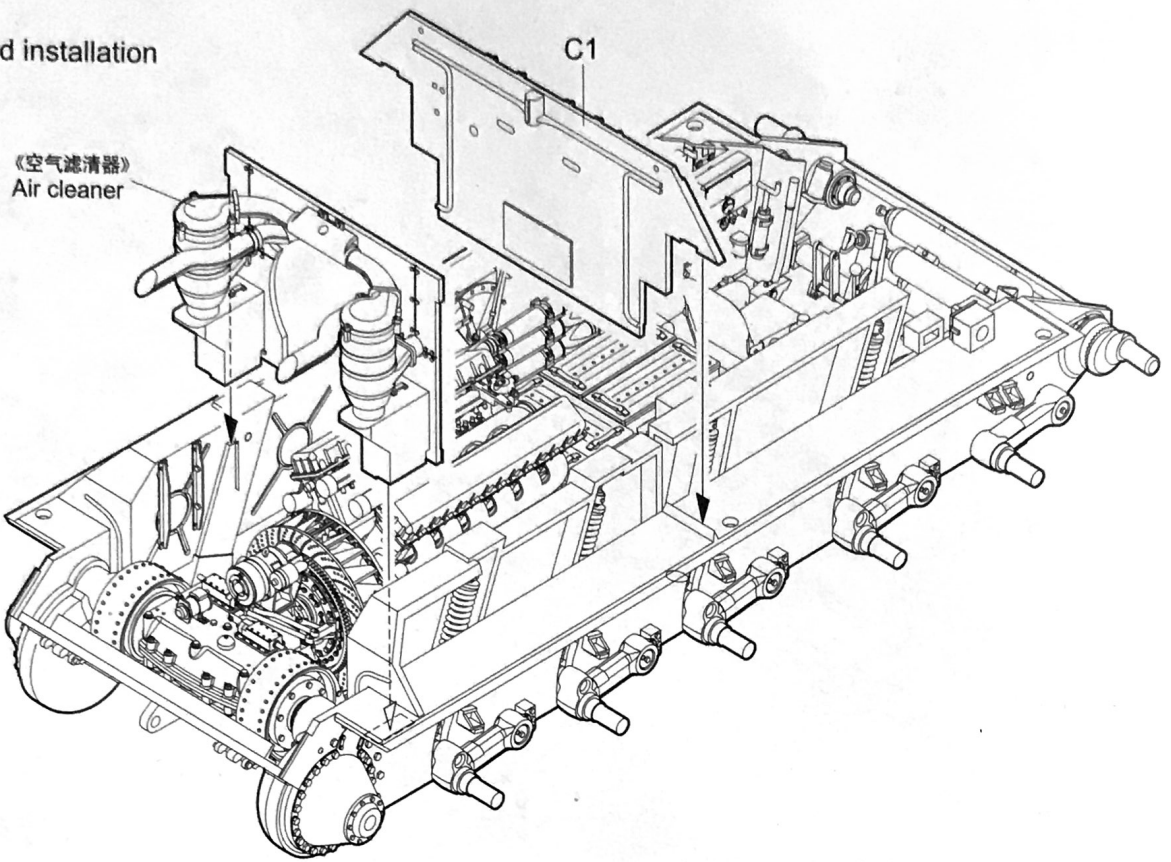
11 发动机安装
Engine installation



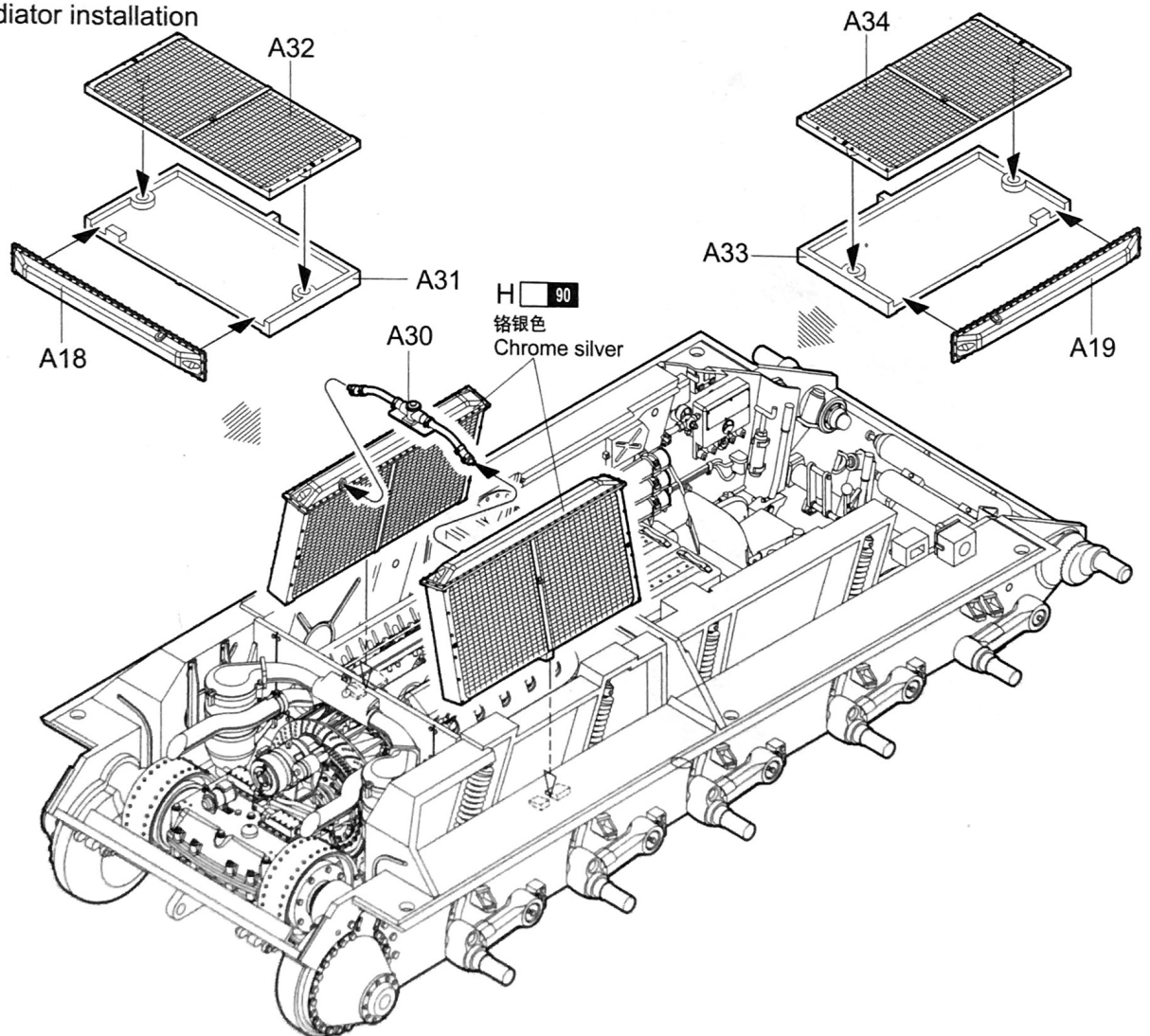
12 空气滤清器组装
Air cleaner assembly



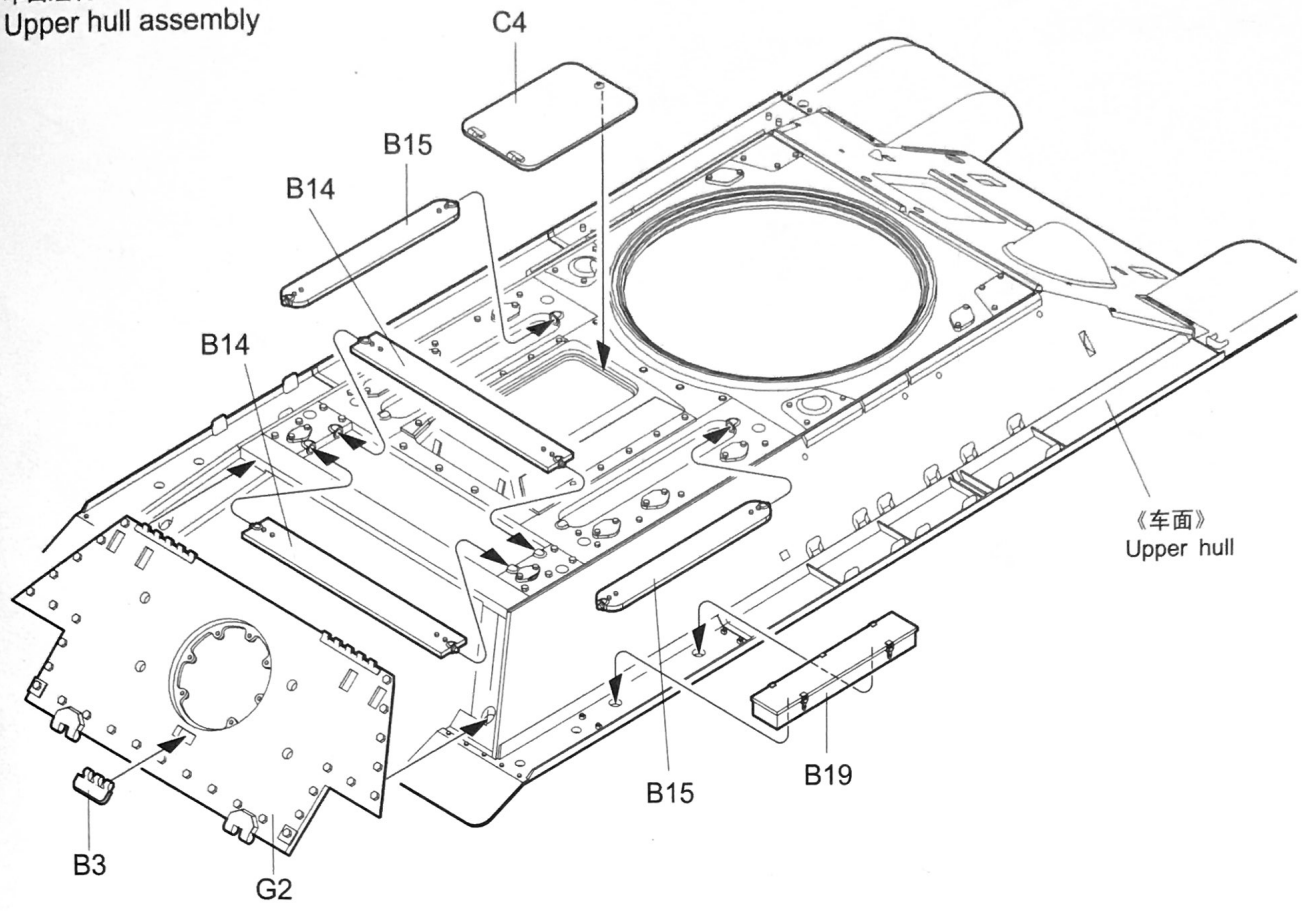
13 隔板安装
Bulkhead installation



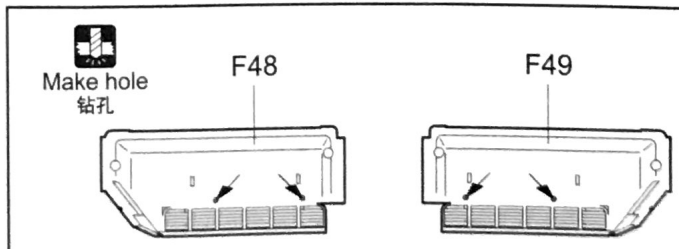
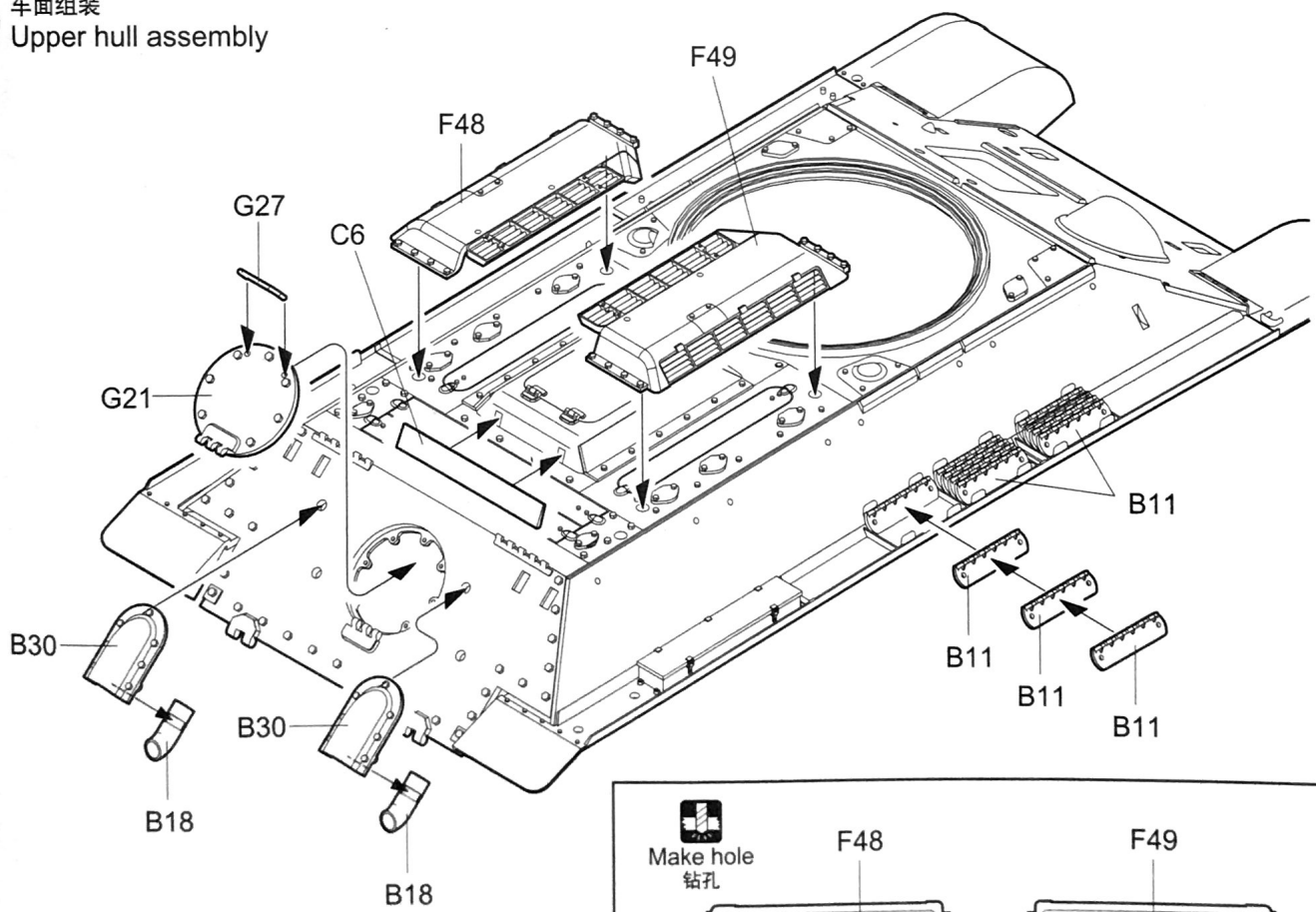
14 冷却器安装
Radiator installation



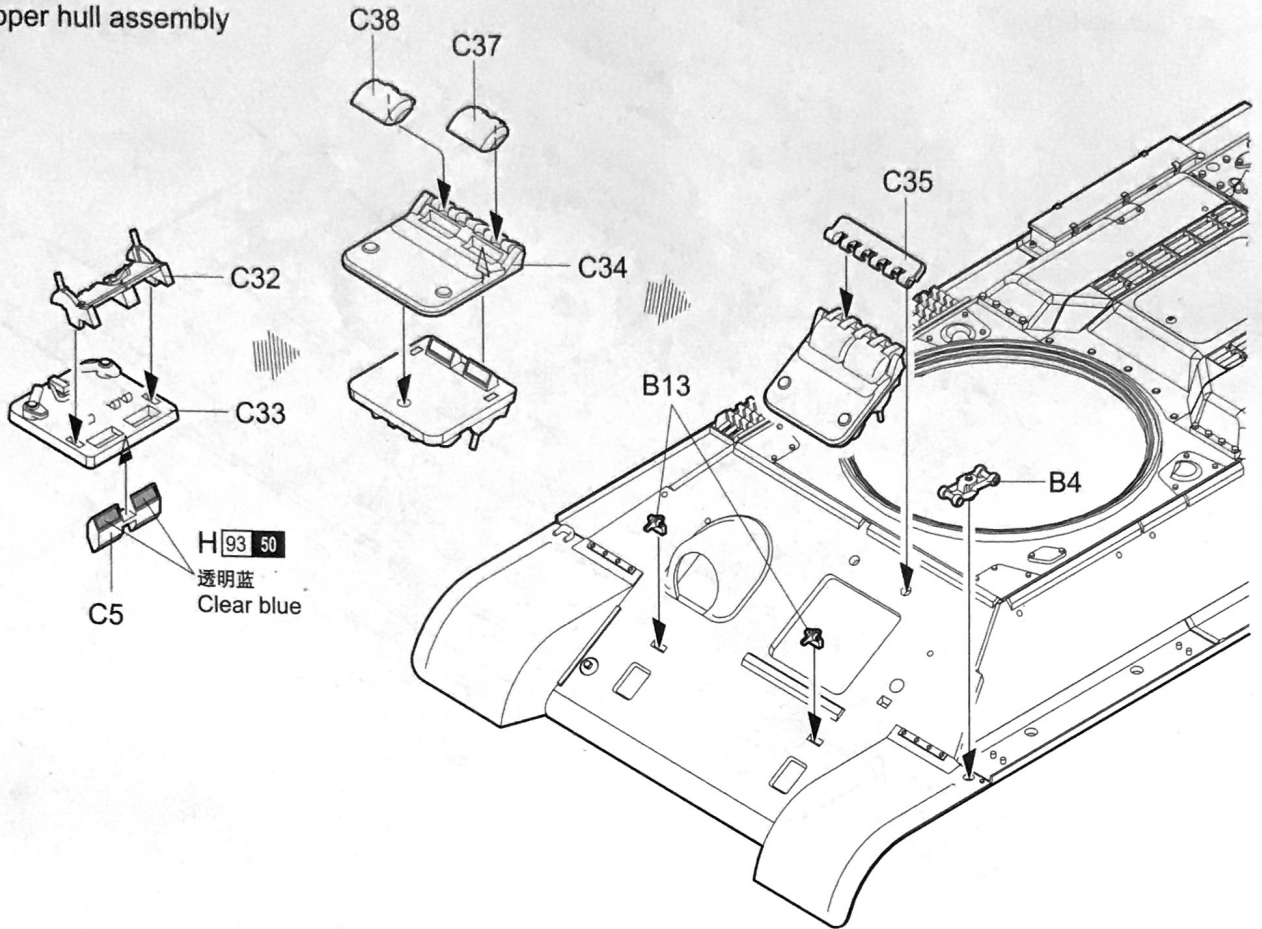
15 车面组装
Upper hull assembly



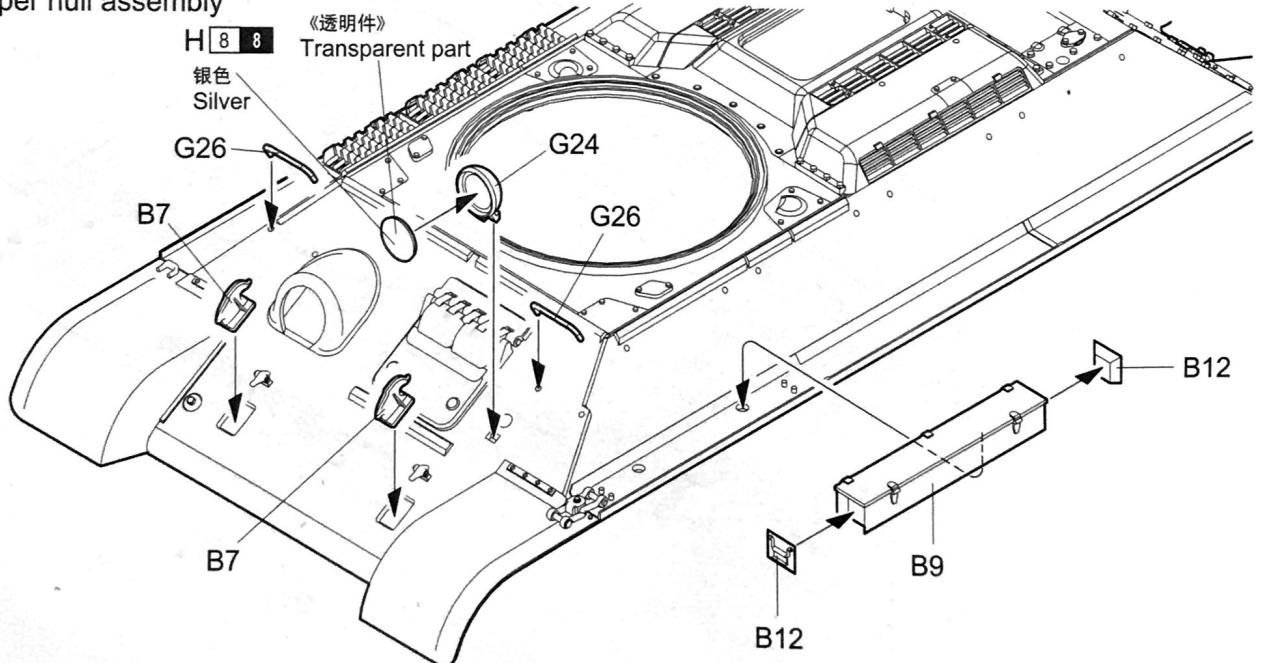
16 车面组装
Upper hull assembly



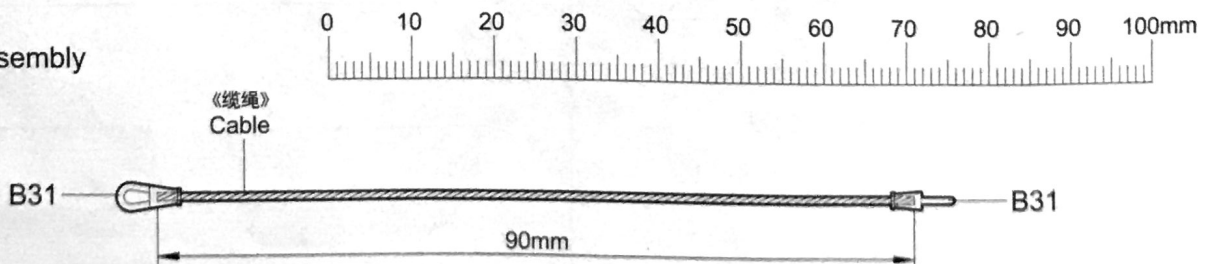
17 车面组装
Upper hull assembly



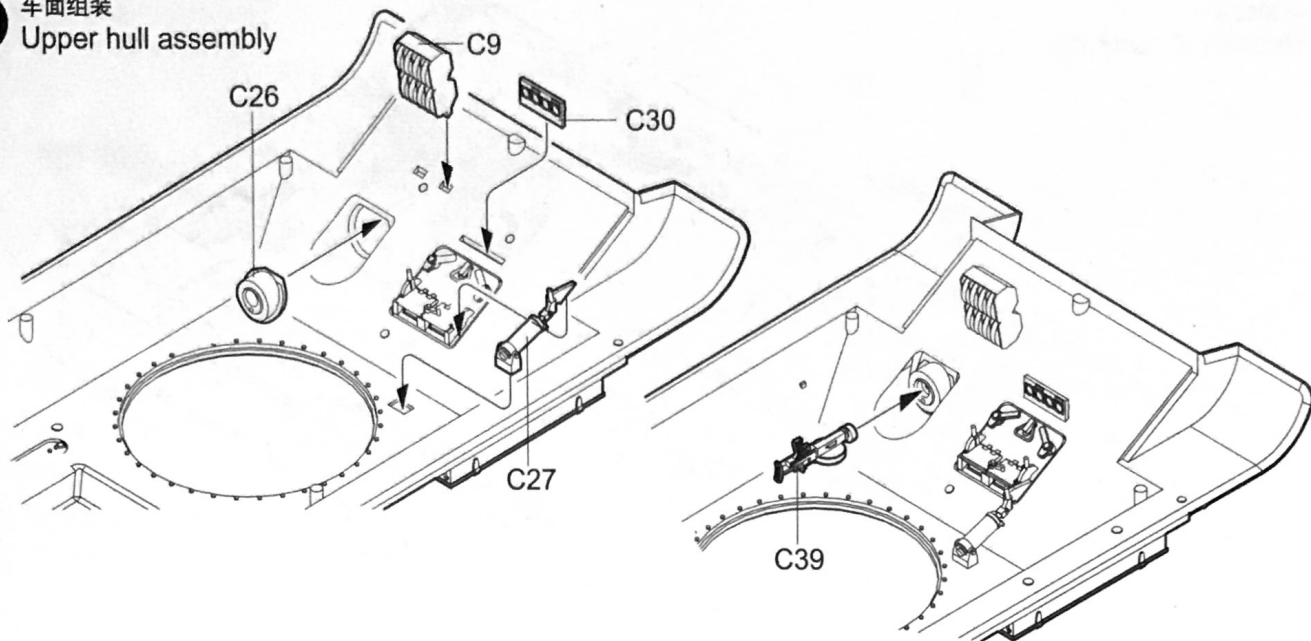
18 车面组装
Upper hull assembly



19 缆绳组装
Cable assembly

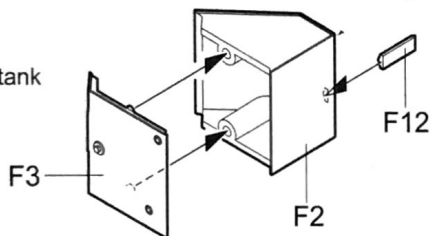


20 车面组装
Upper hull assembly

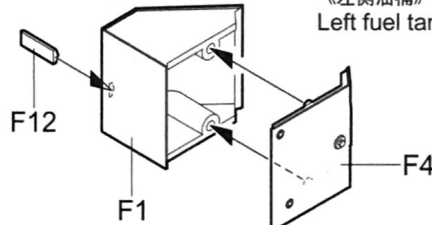


21 燃料筒组装
Fuel tank assembly

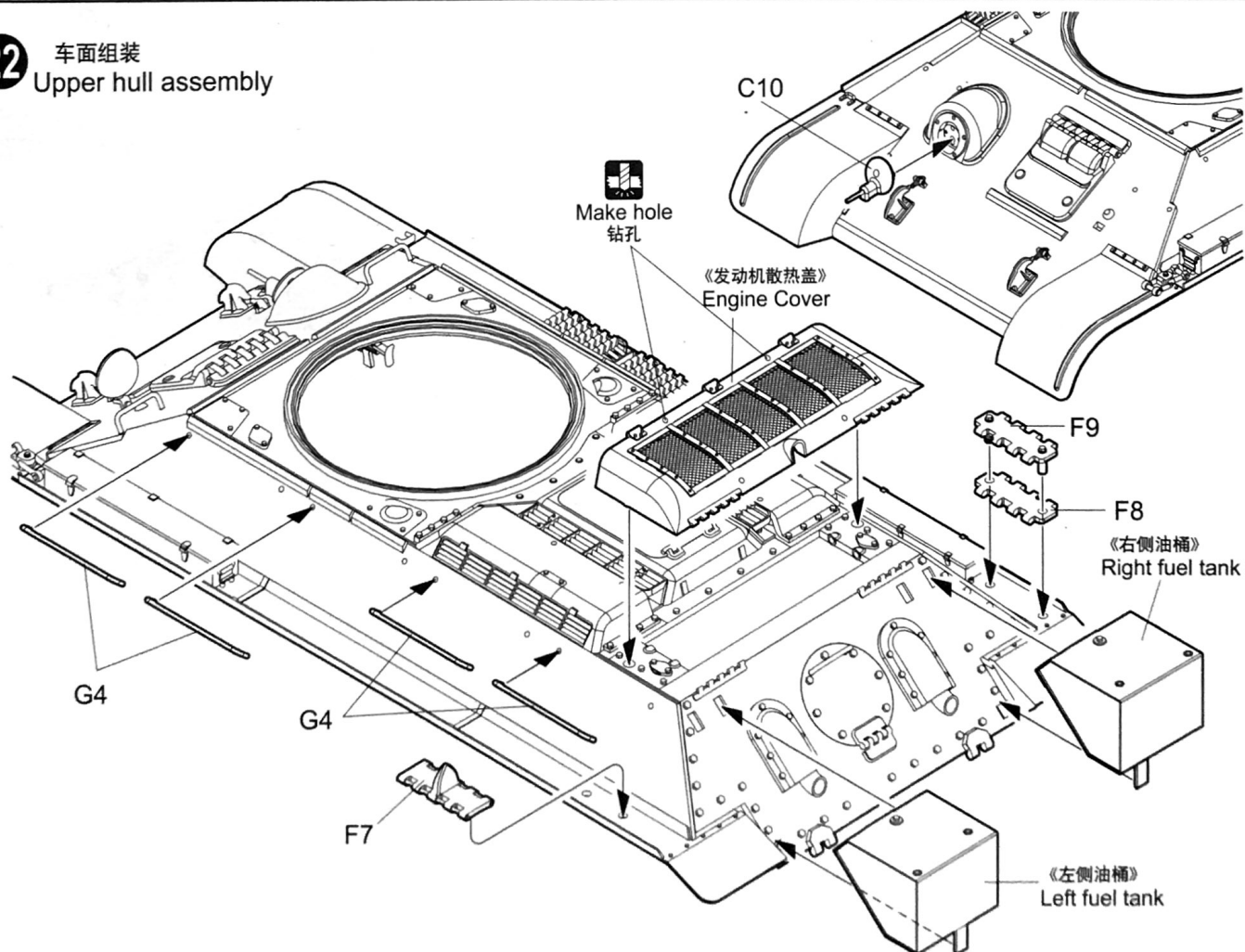
《右侧油桶》
Right fuel tank



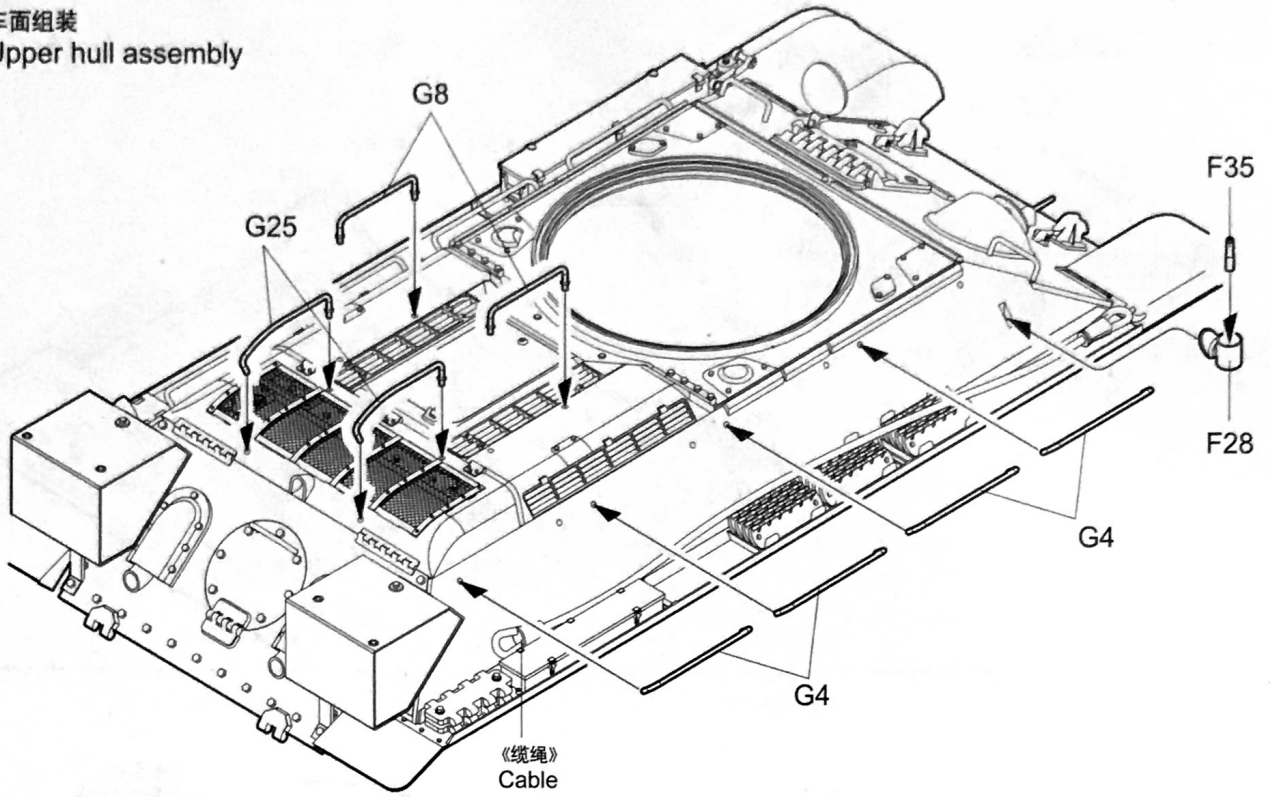
《左侧油桶》
Left fuel tank



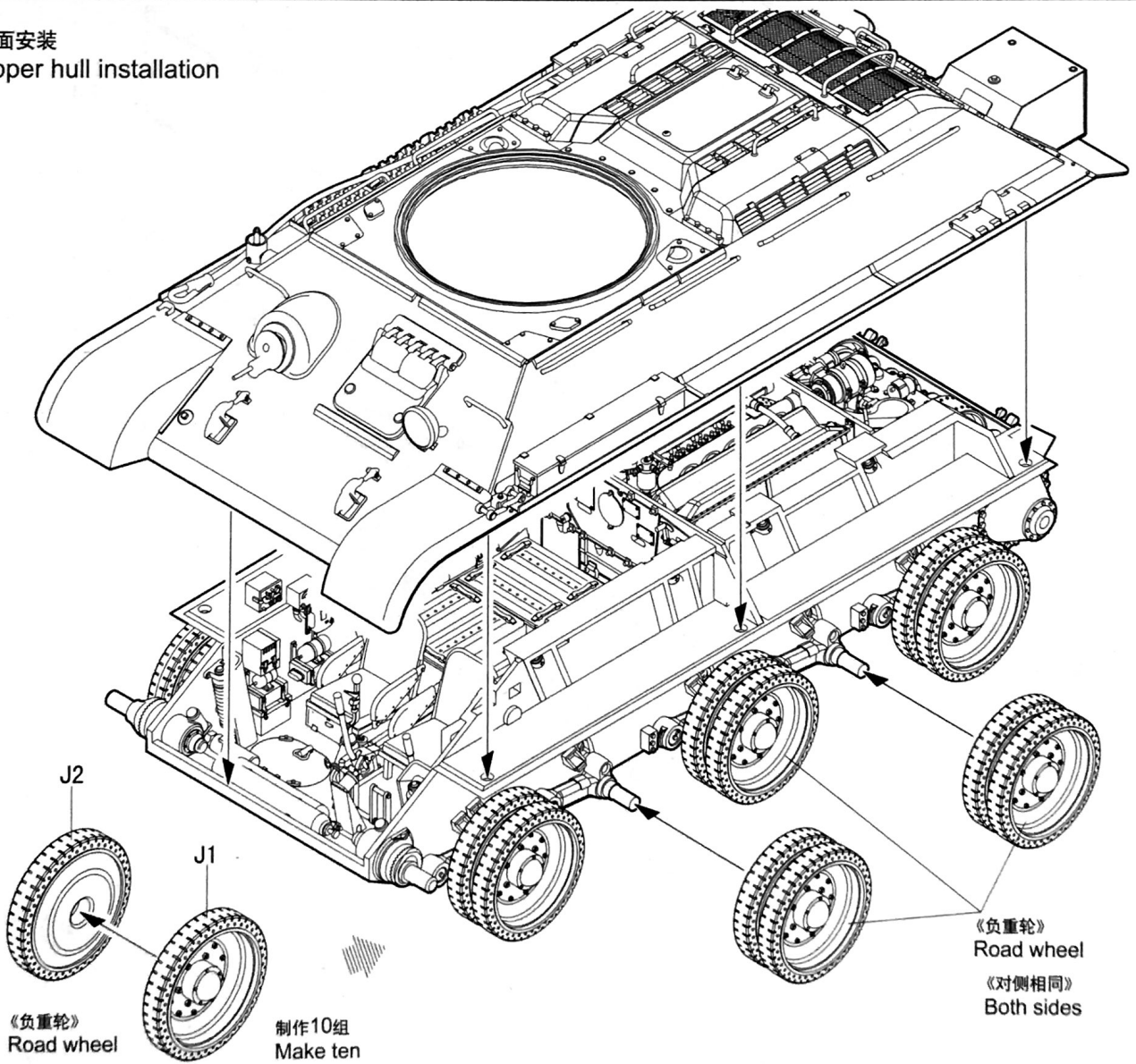
22 车面组装
Upper hull assembly



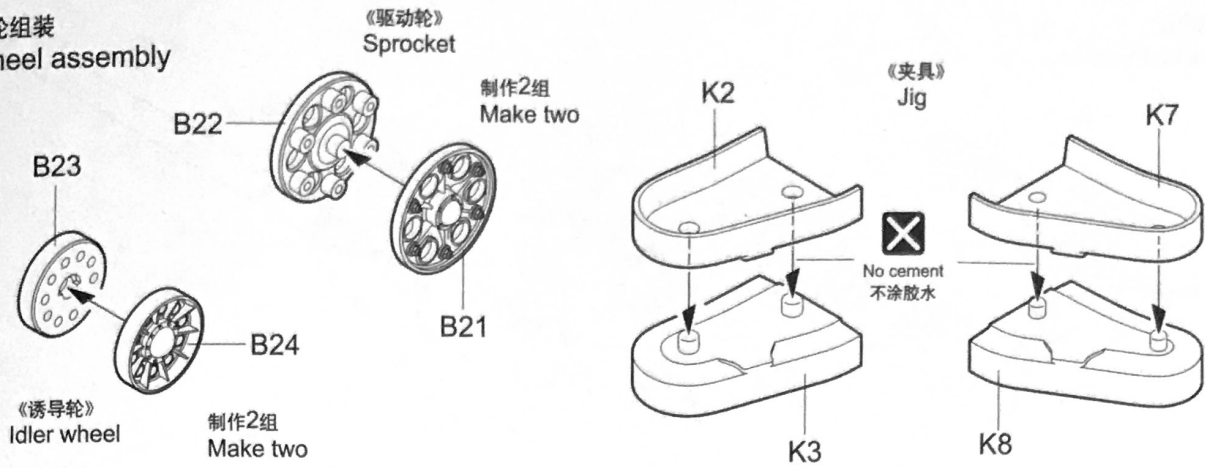
23 车面组装
Upper hull assembly



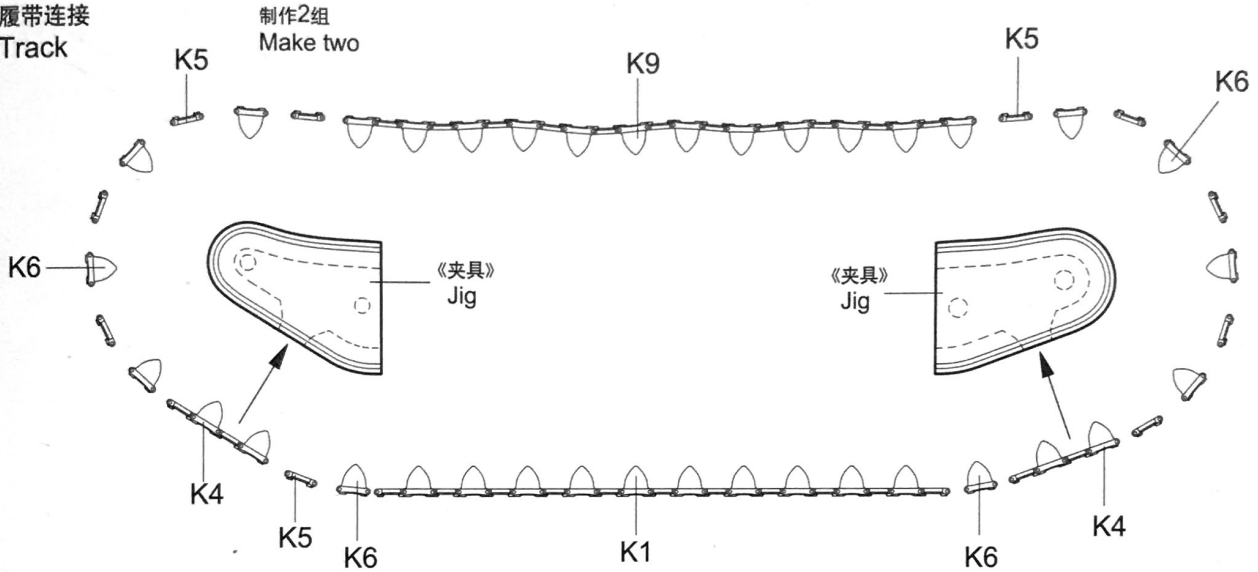
24 车面安装
Upper hull installation



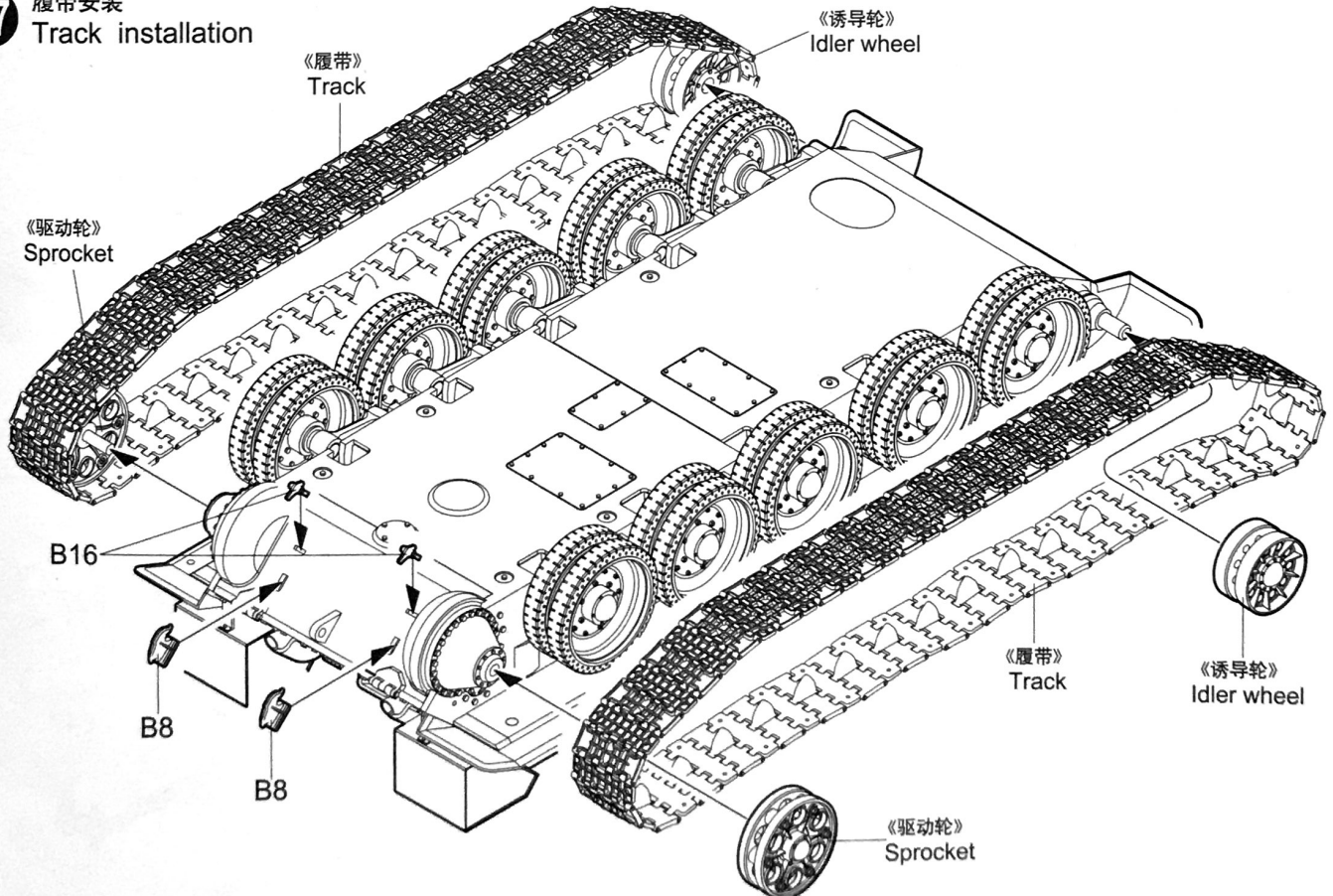
25 车轮组装
Wheel assembly



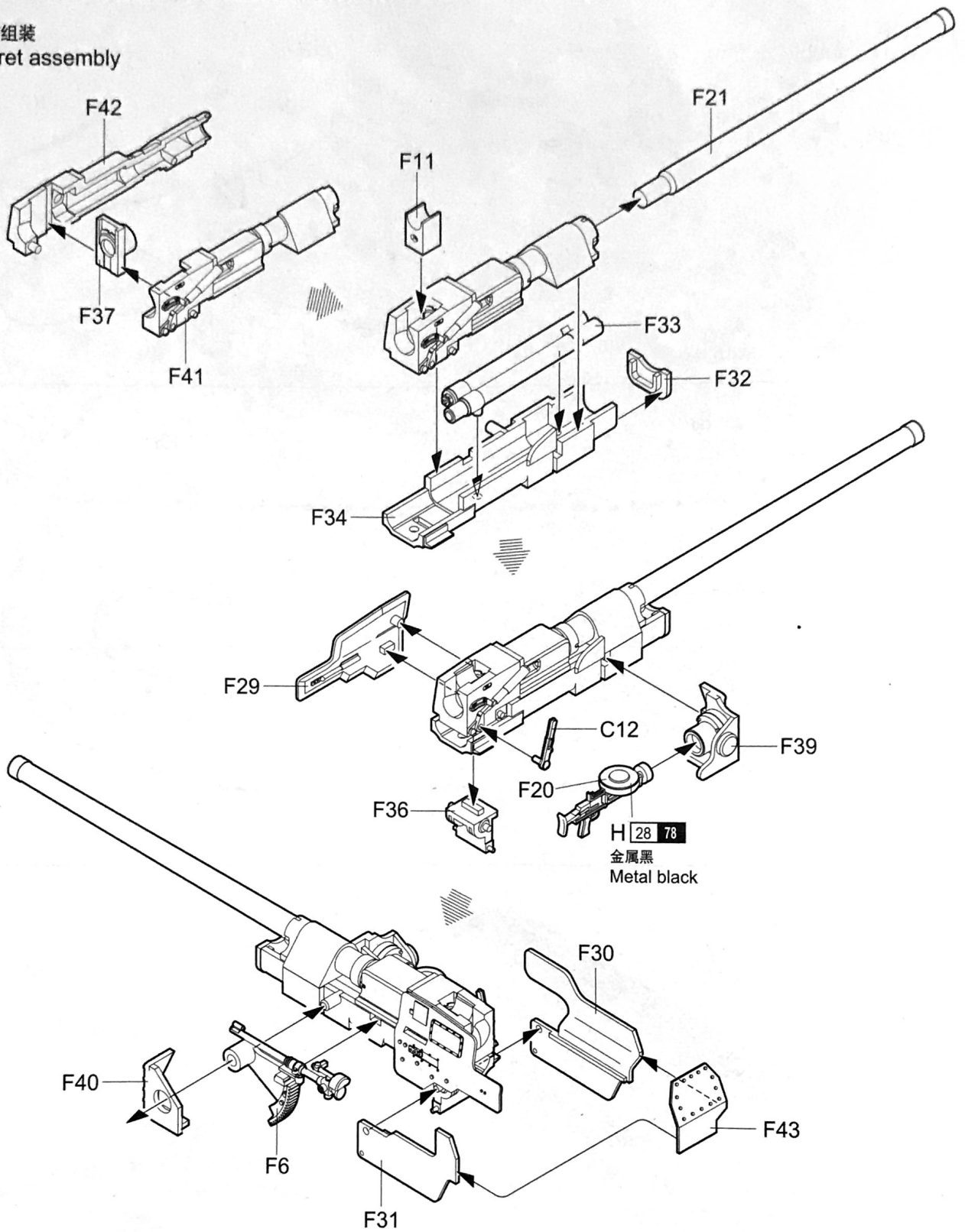
26 履带连接
Track



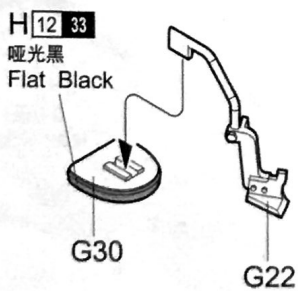
27 履带安装
Track installation



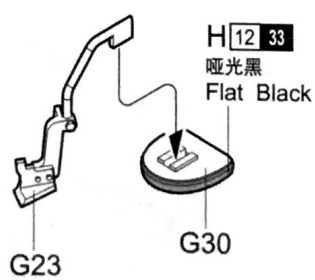
28 炮塔组装
Turret assembly



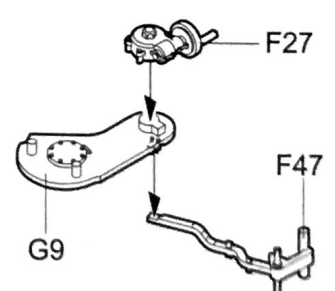
《炮长座椅》
Gunner's seat



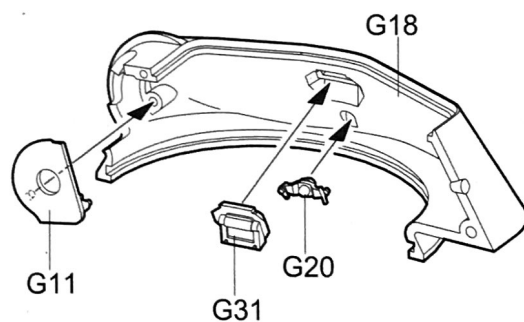
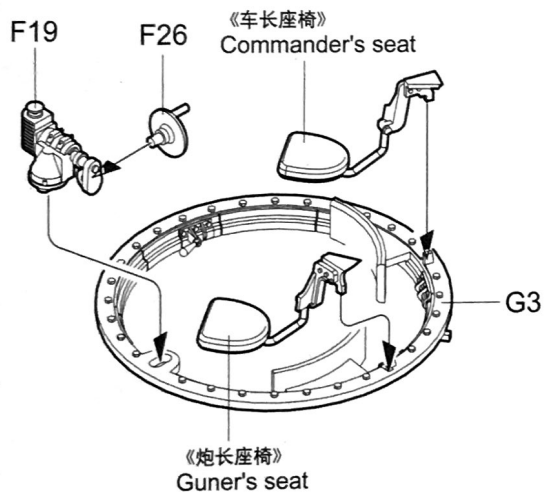
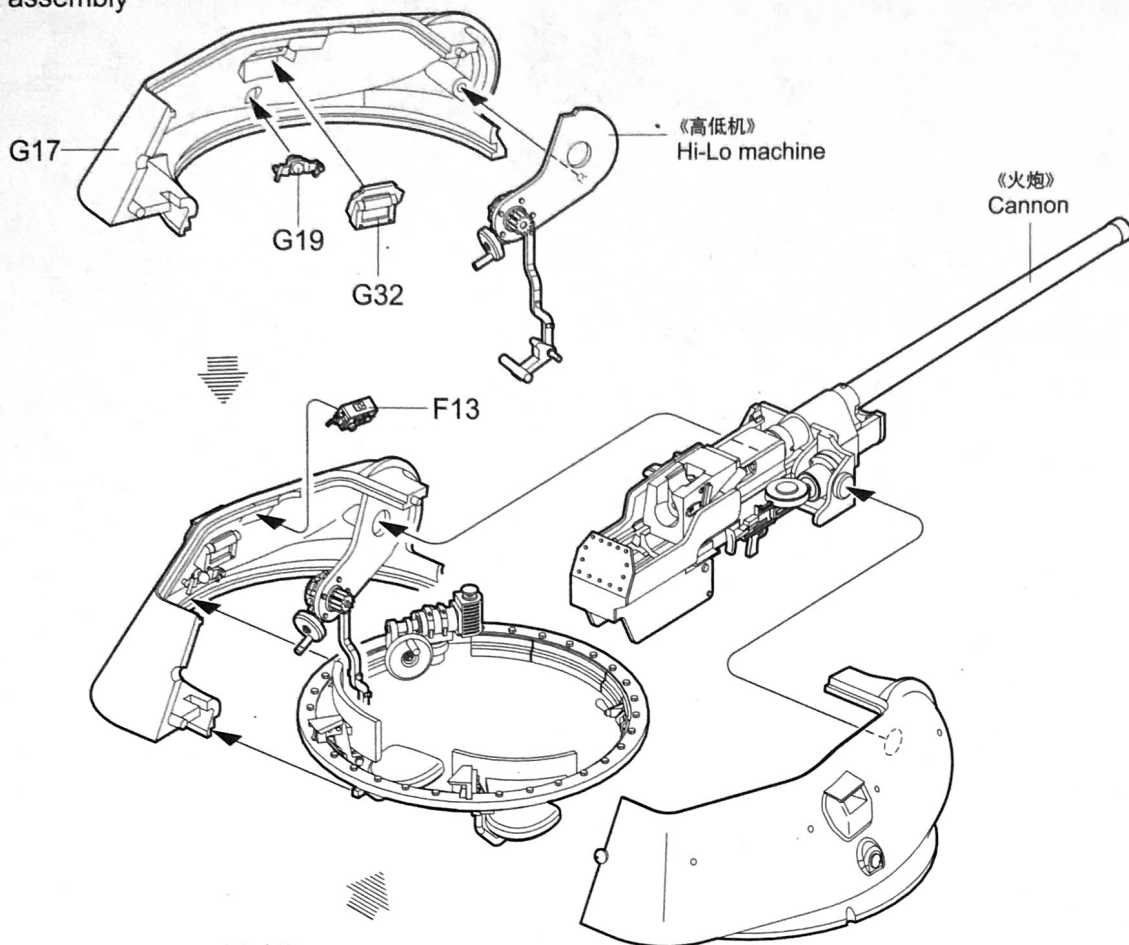
《车长座椅》
Commander's seat



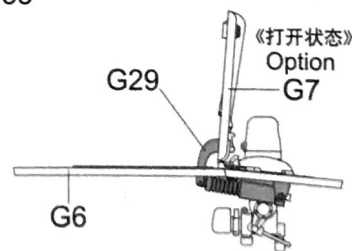
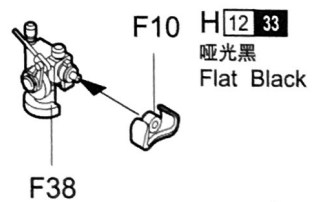
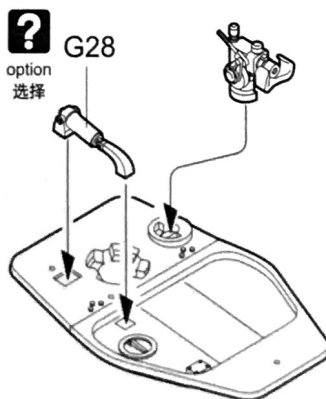
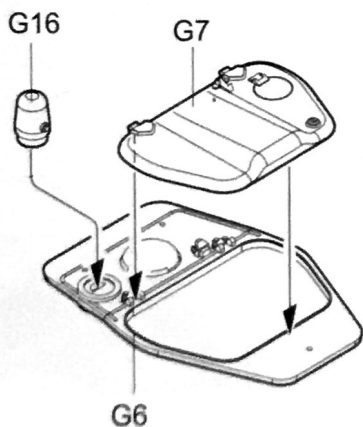
《高低机》
Hi-Lo machine



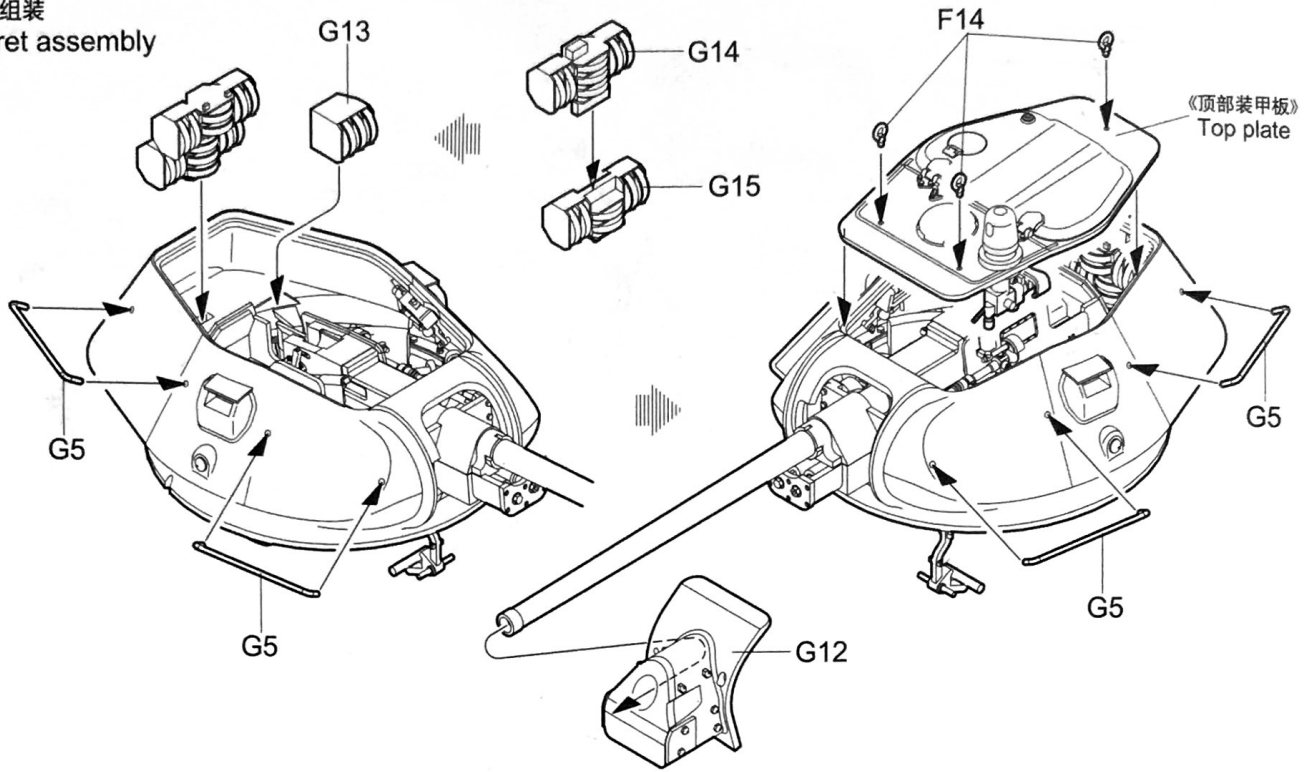
29 炮塔组装
Turret assembly



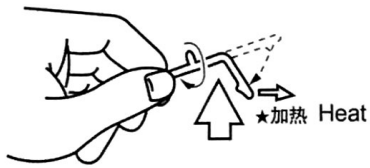
《顶部装甲板》
Top plate



30 炮塔组装
Turret assembly

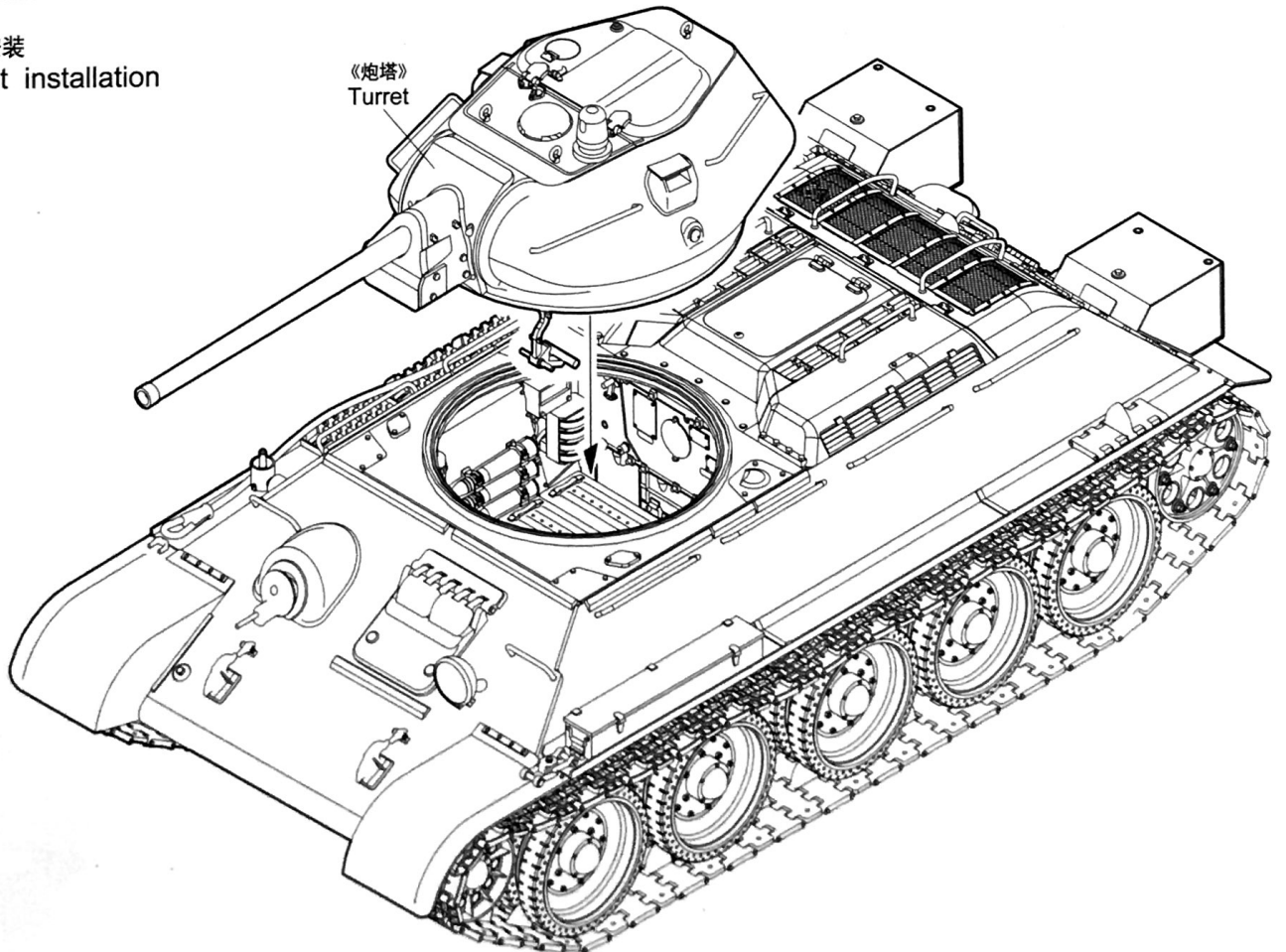


《天线制作》 How to make antenna



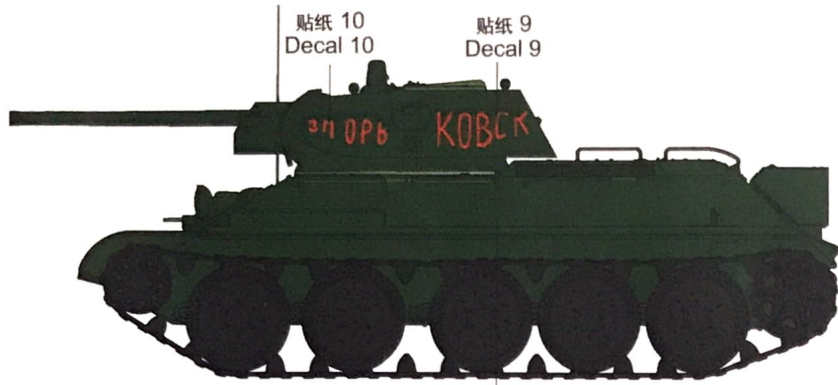
★加热浇口，拉线冷却，冷却后截成所需长度。
Heat sprue as shown, remove from flame and stretch allow to cool and cut to required length.

31 炮塔安装
Turret installation

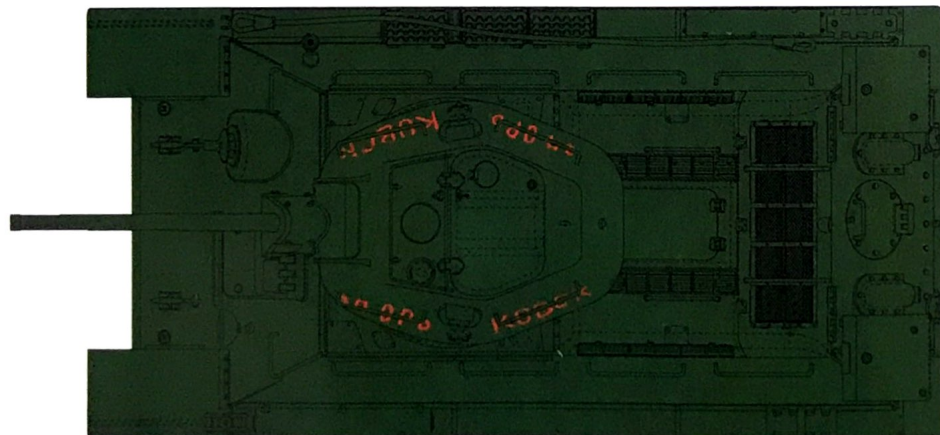
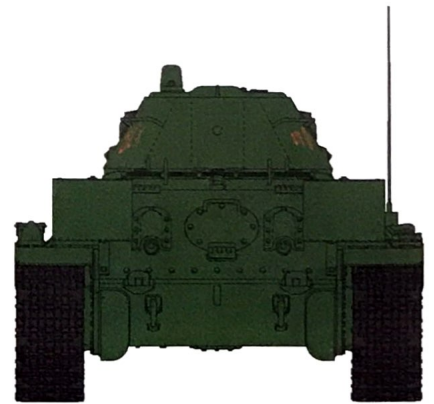
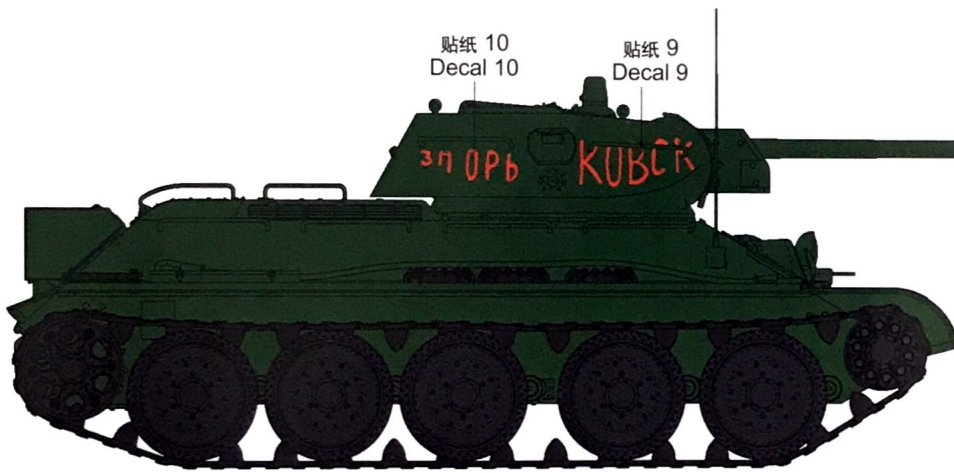


涂装同标贴指示
Painting & Marking guide

使用郡仕公司涂料
Gunze Sangyo Mr. colors used



H 135
苏联绿
Russian green(1)



H GUNZE SANGYO AQUEOUS HOBBY COLOUR X GUNZE SANGYO MR COLOUR