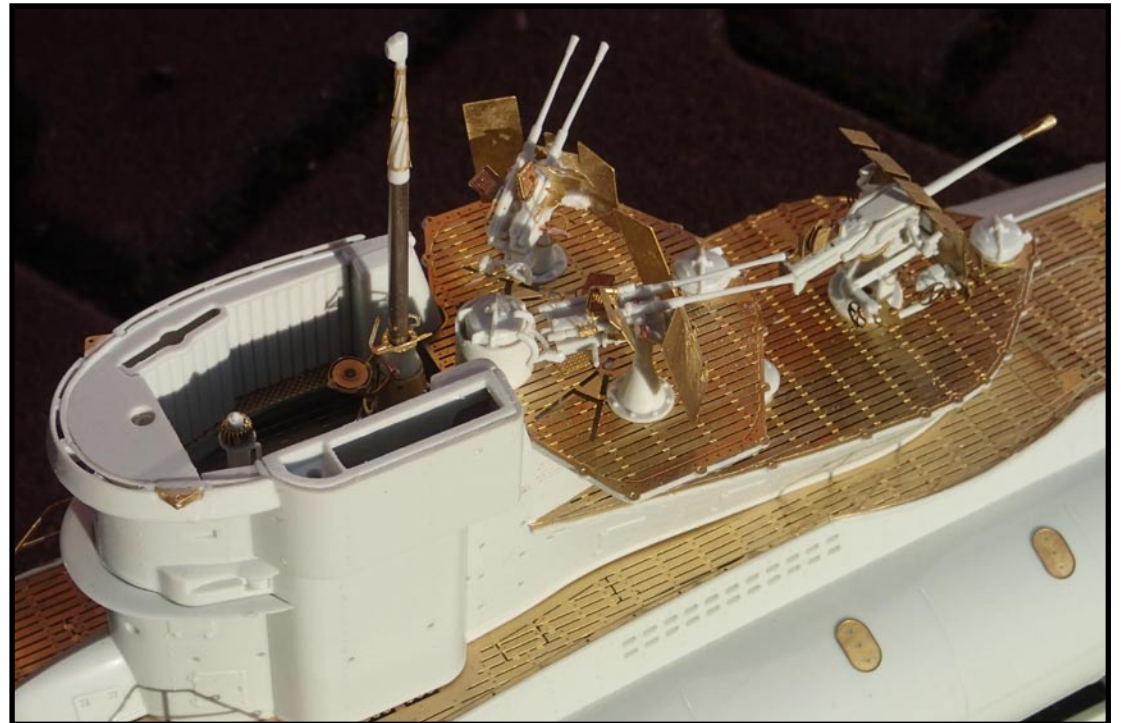
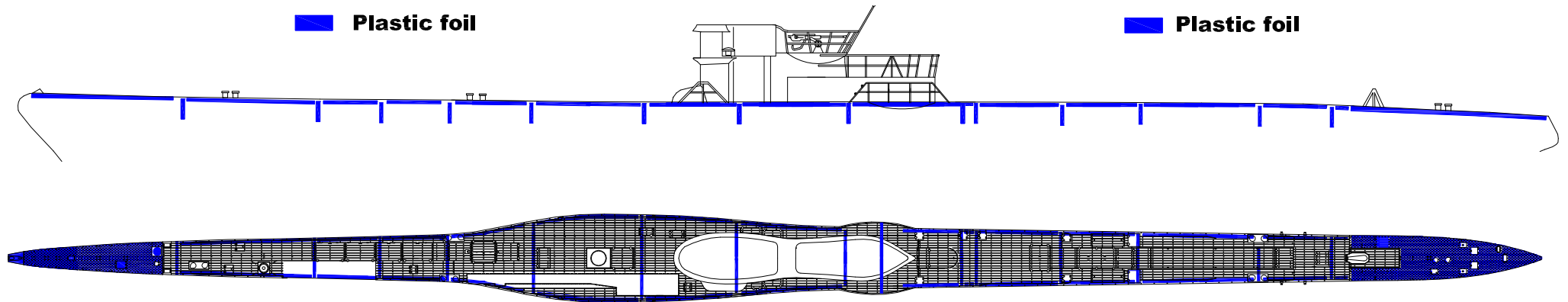
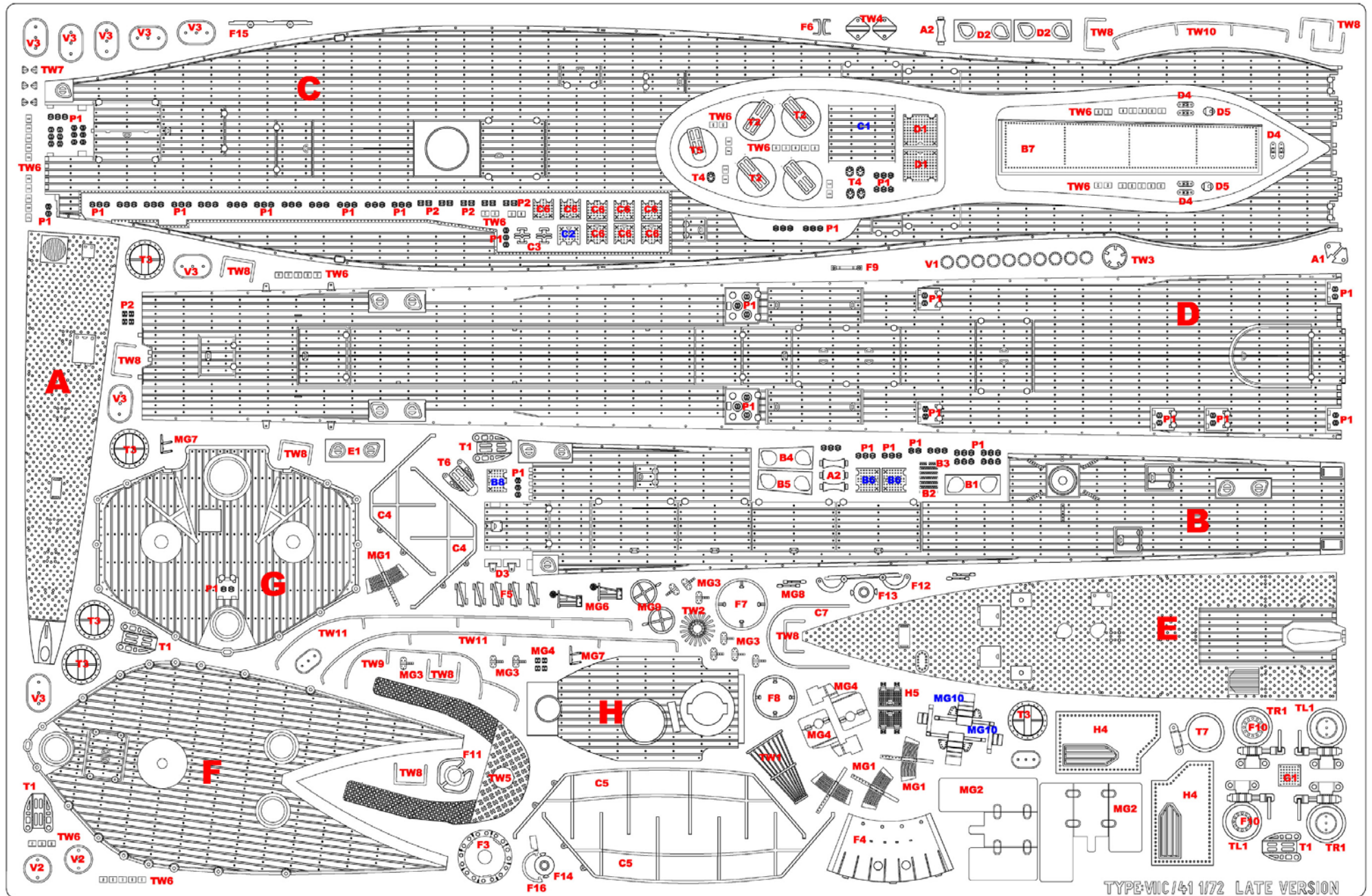


# Instructions Photo Etched Deck for Revell type: VIIC41 1/72

## Reinforcement of the deck



# Description of pars PE

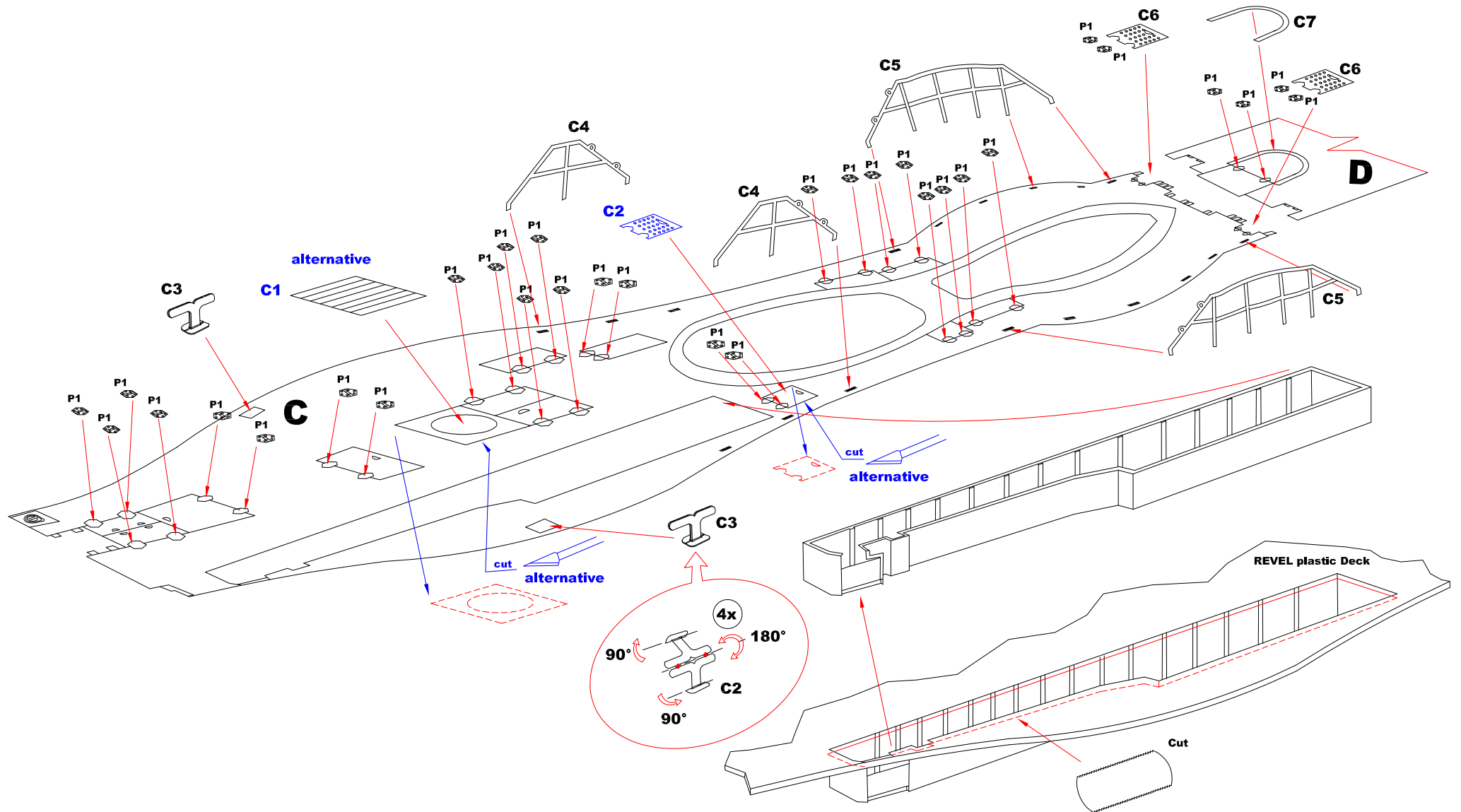


TYPEVIC/41 1/72 LATE VERSION

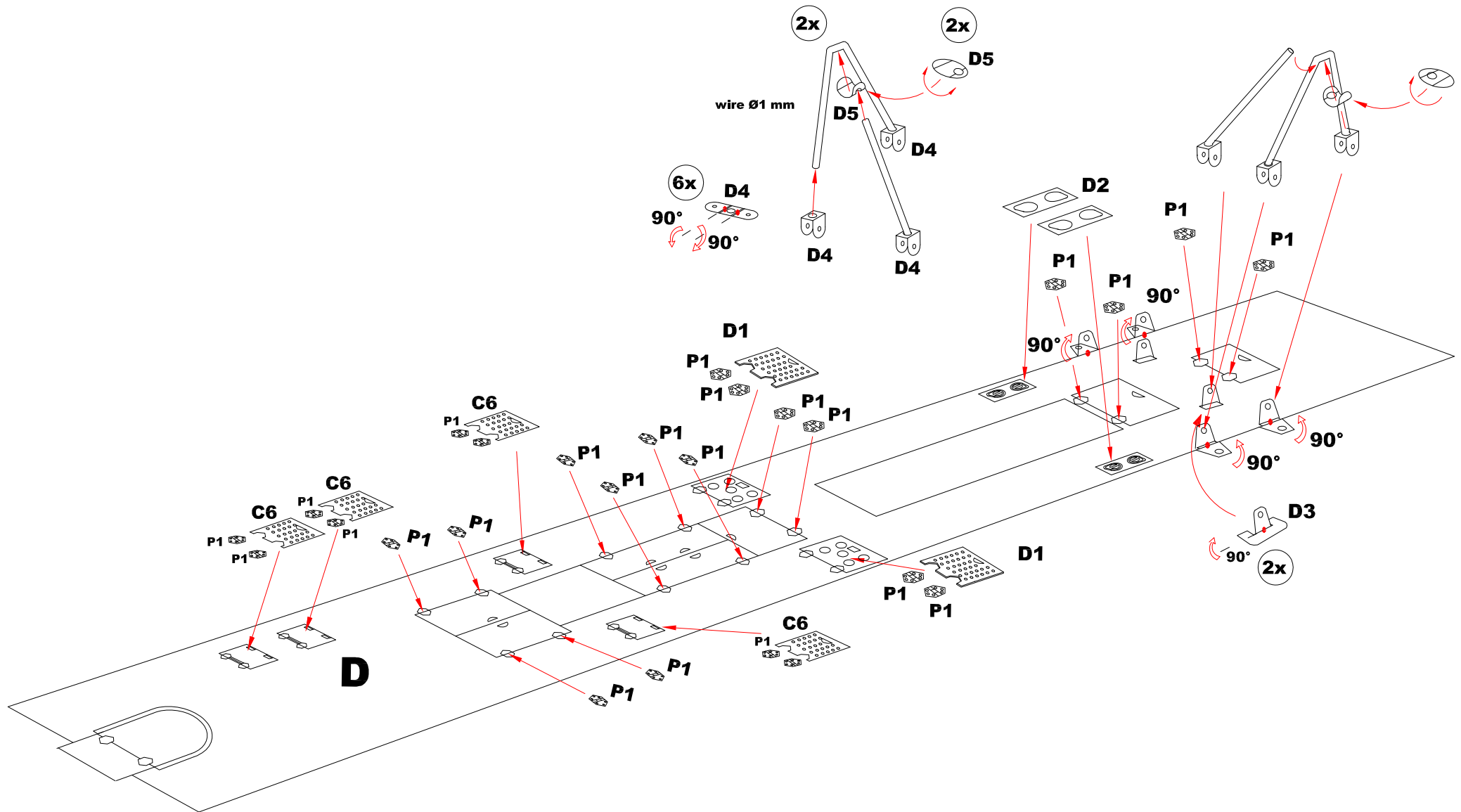




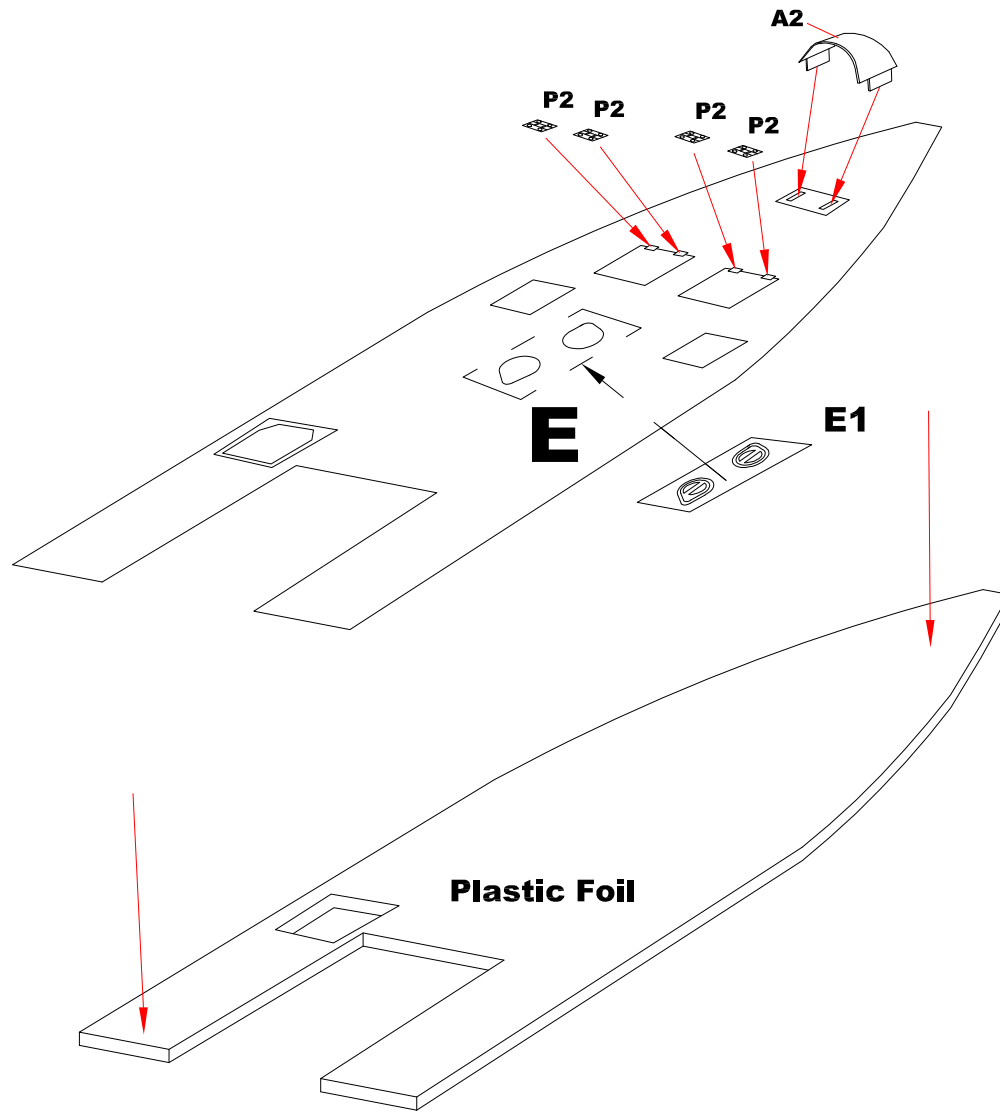
# Deck C



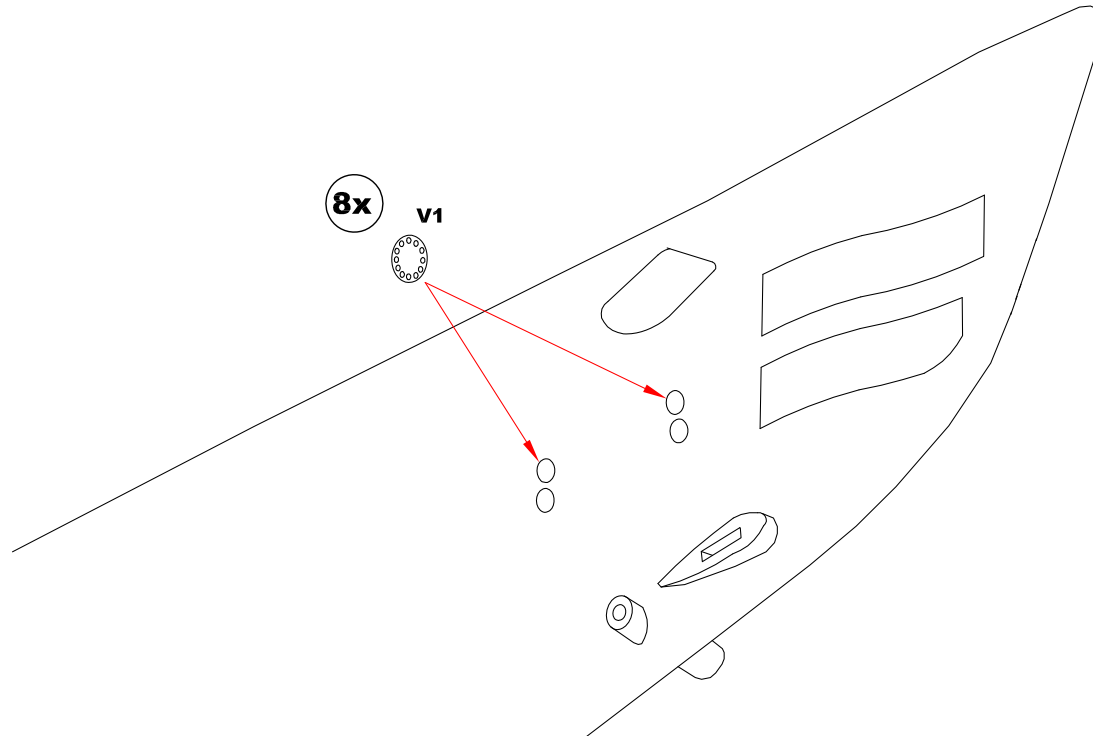
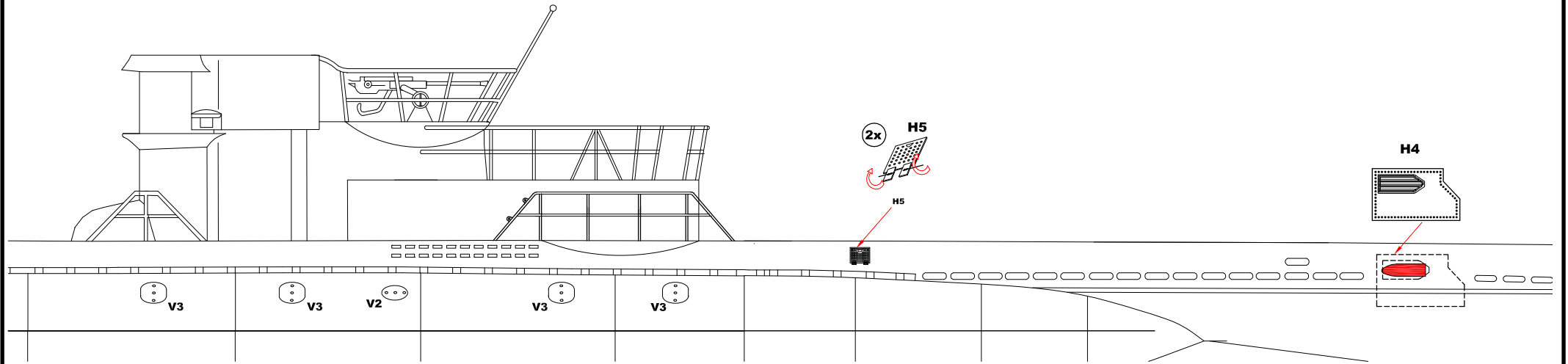
# Deck D



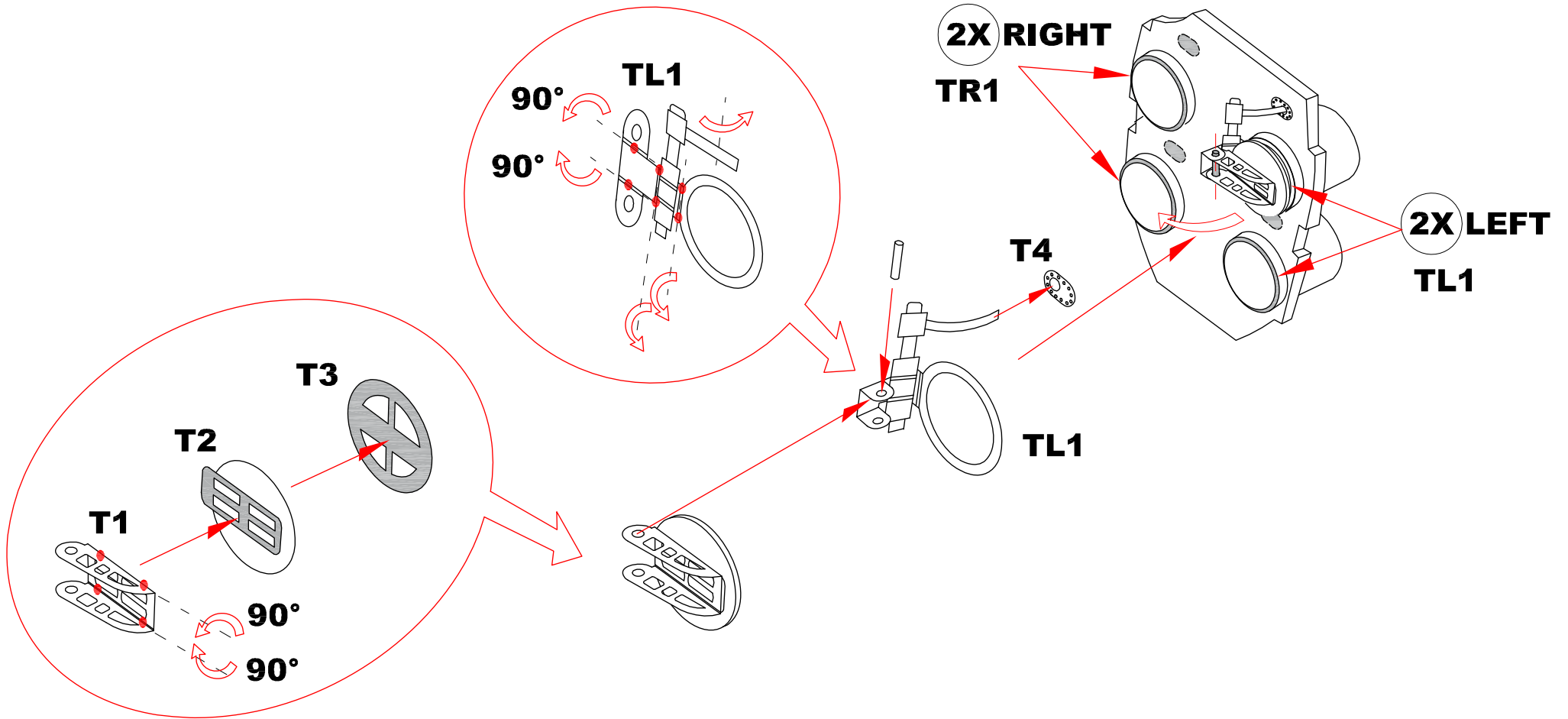
# Deck E



# Hull

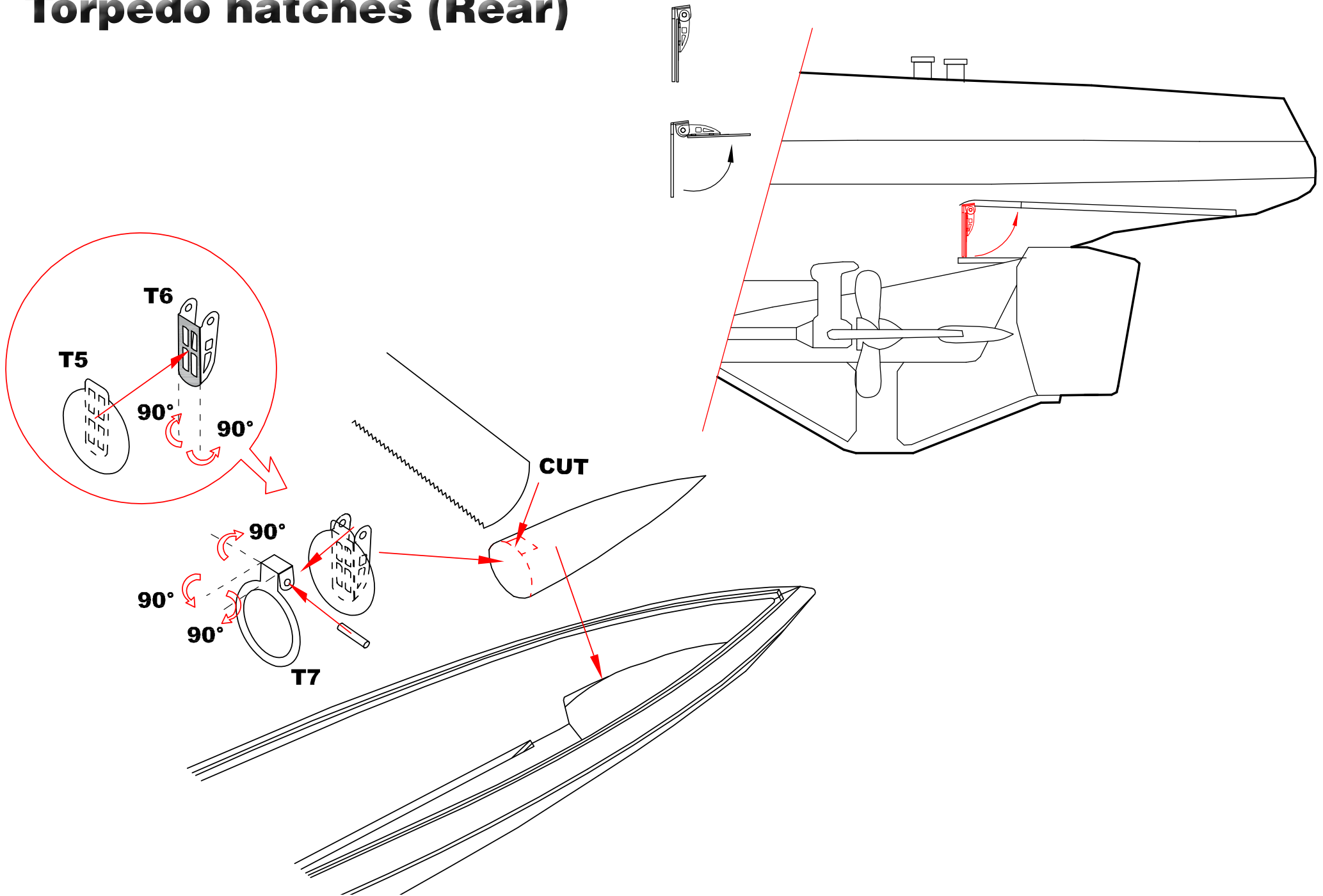


# Torpedo hatches (Front)



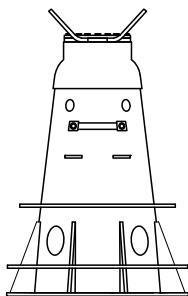
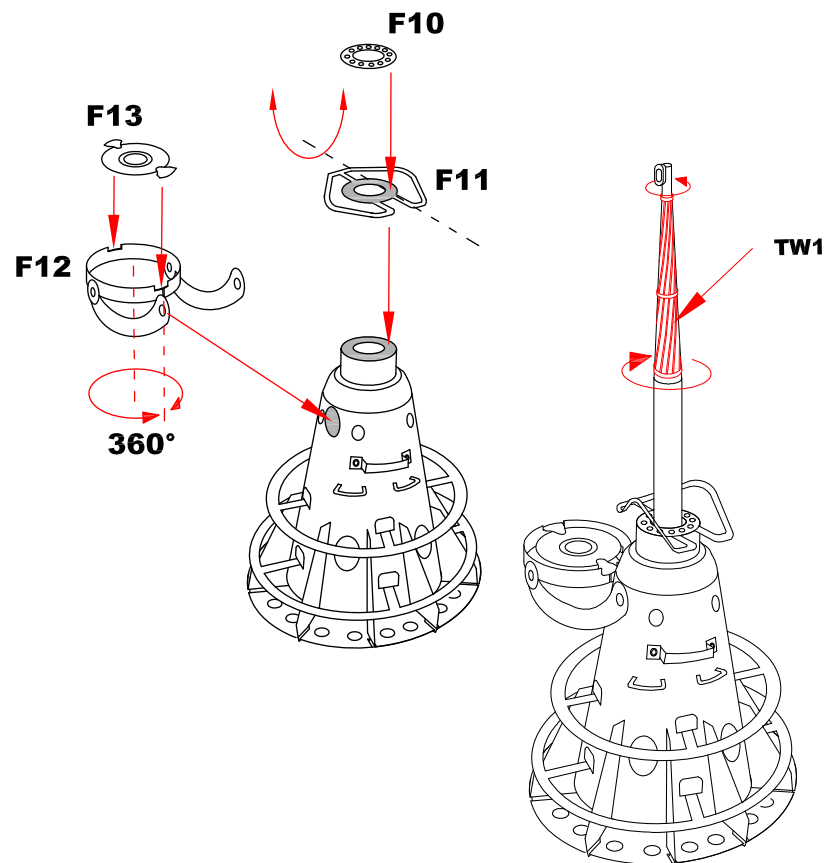
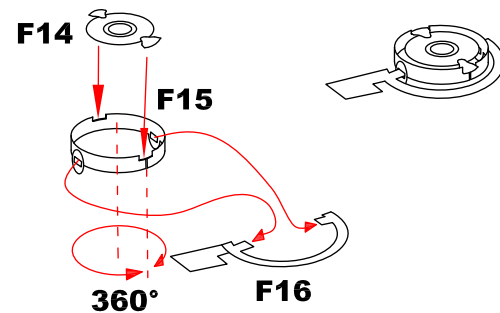
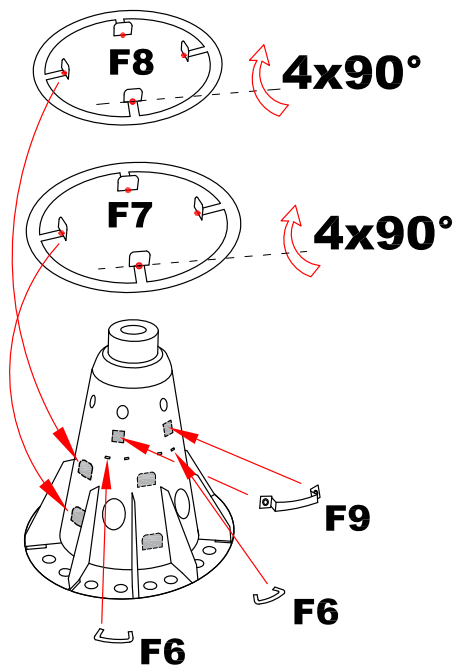
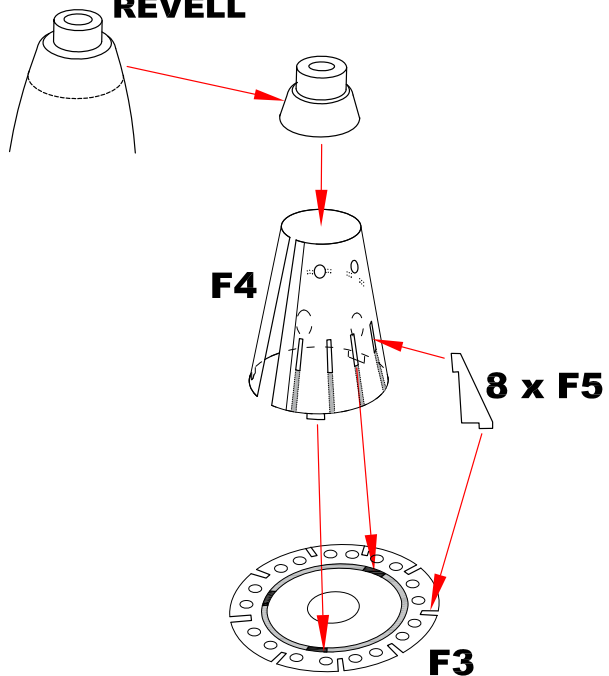


# Torpedo hatches (Rear)

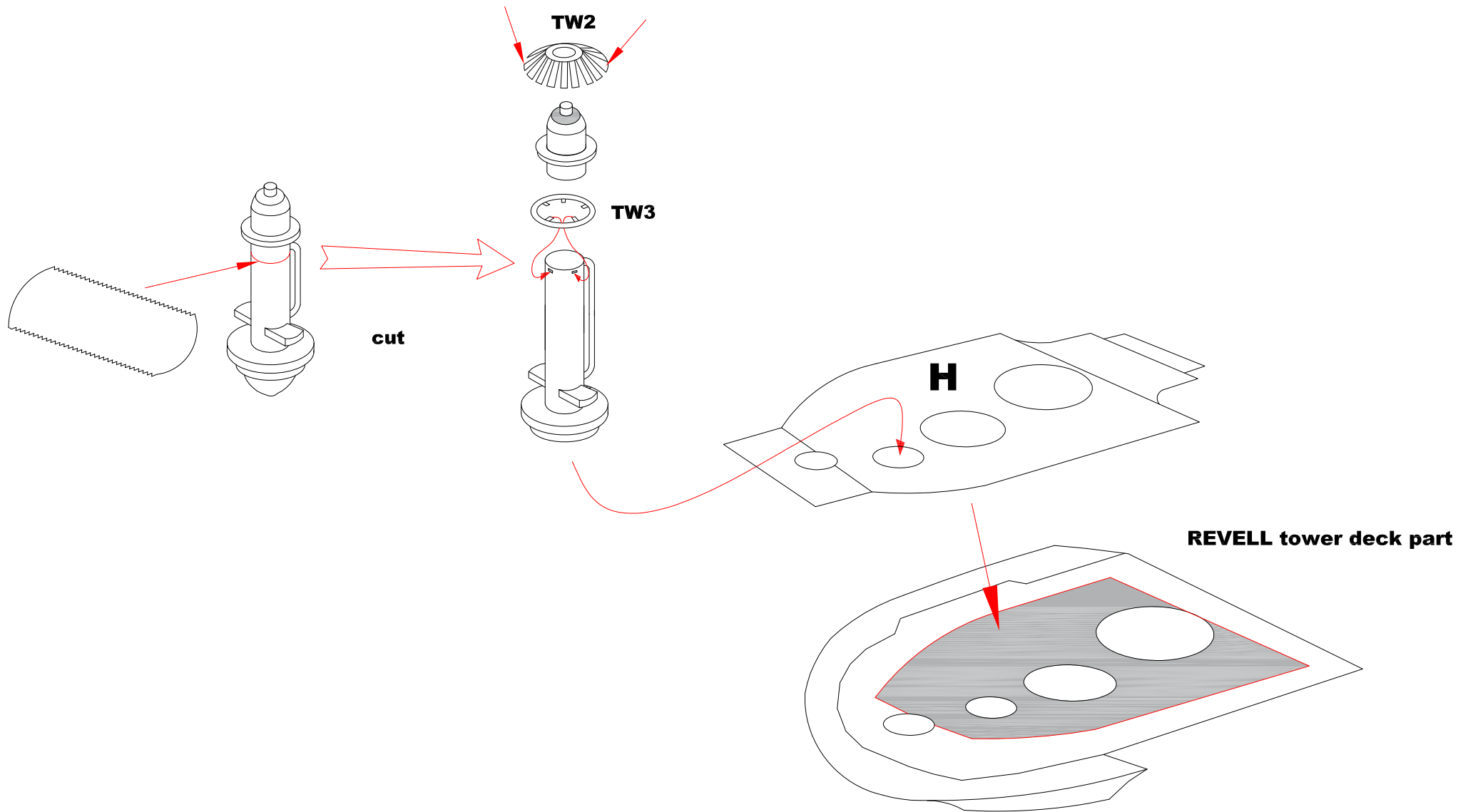


# Tower - periscope body

Plastic parts  
REVELL

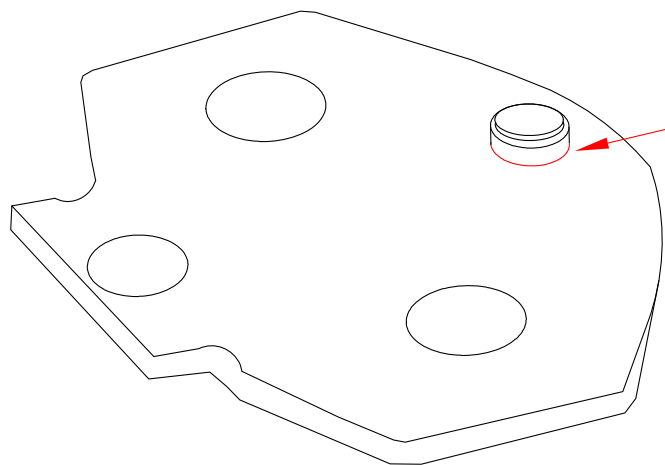


# Tower

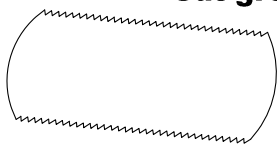


# Tower

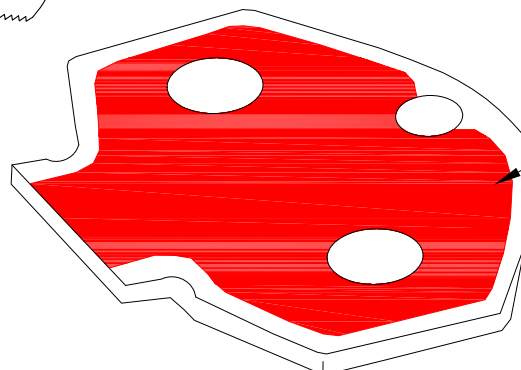
REVELL tower deck part



Cut groove

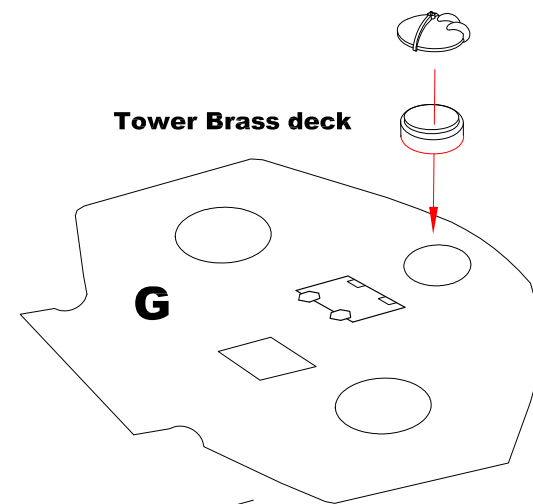


REVELL tower deck part



Remove

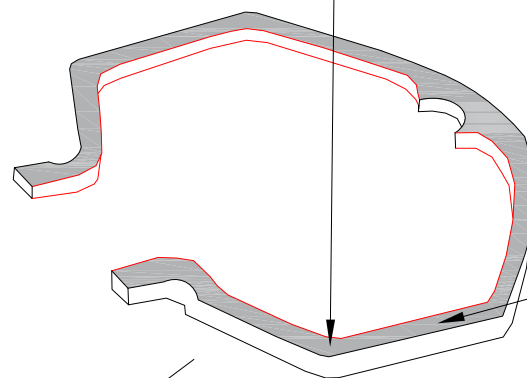
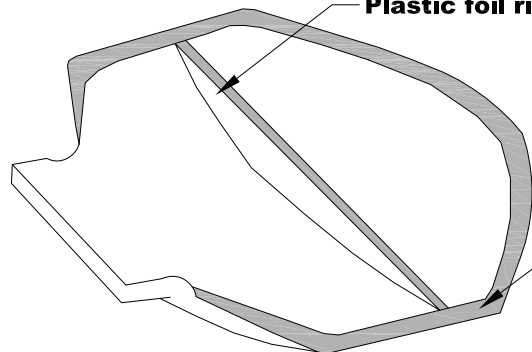
Tower Brass deck



G

REVELL tower part

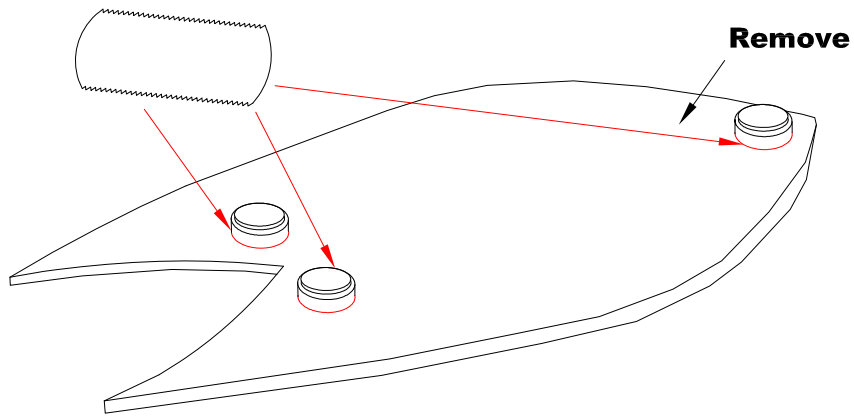
Plastic foil rib



# Tower

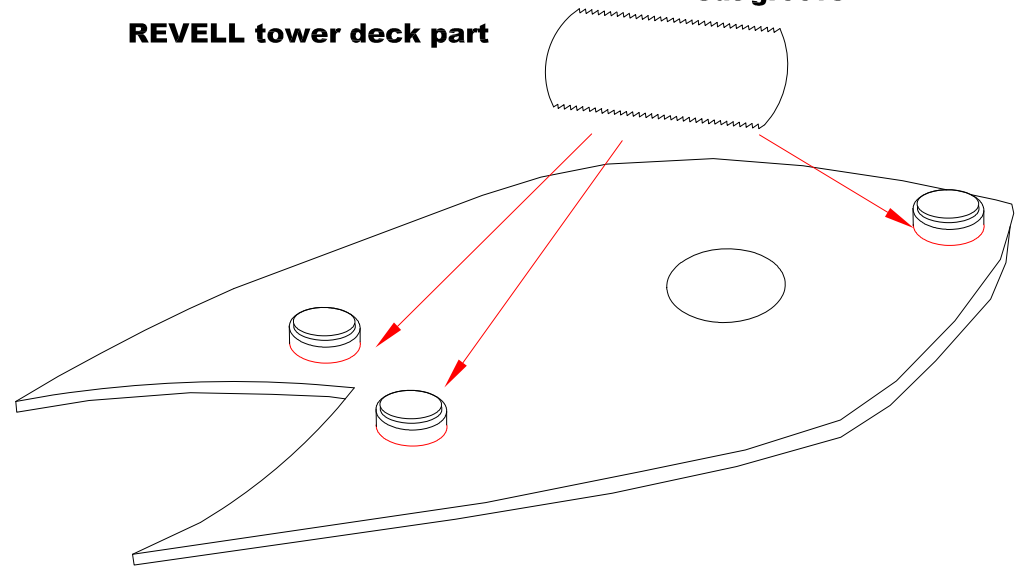
Cut groove

REVELL tower deck part



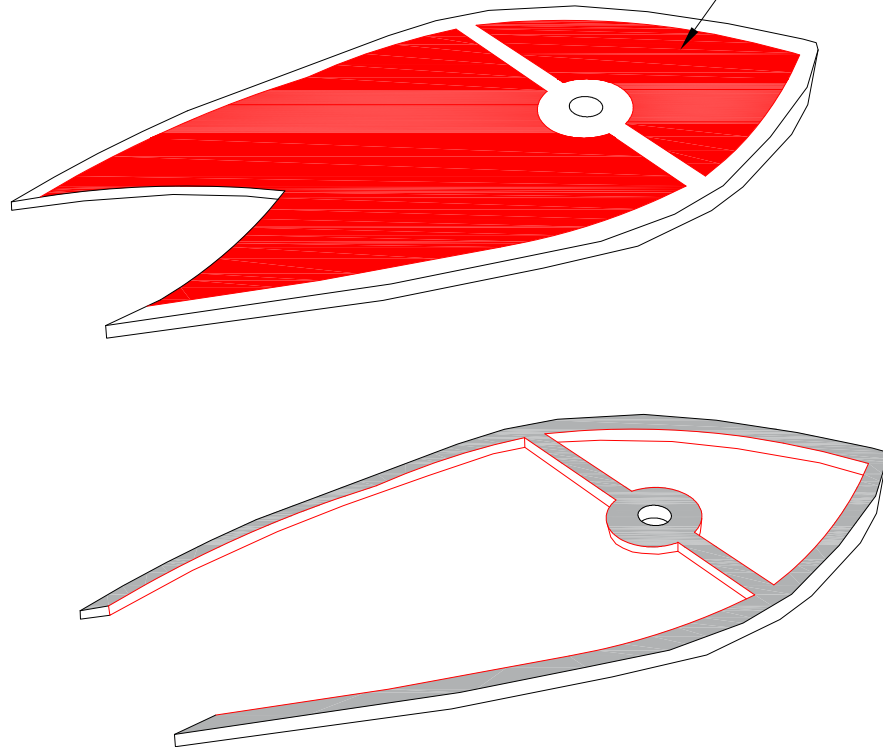
REVELL tower deck part

Cut groove

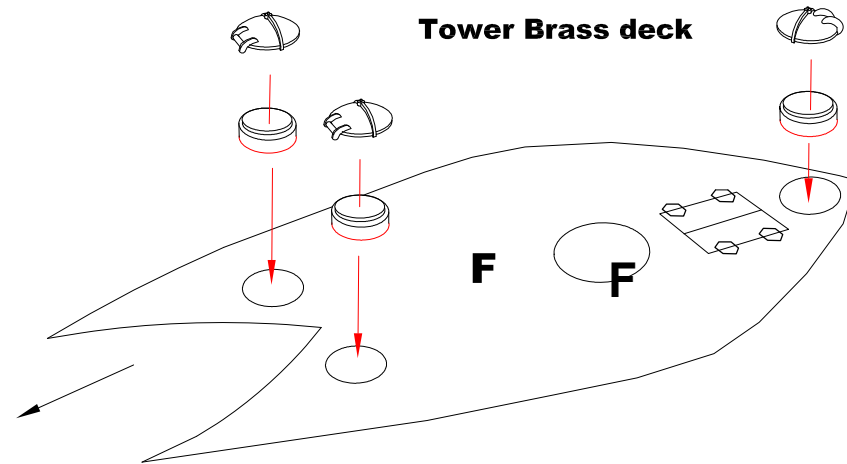


REVELL tower deck part

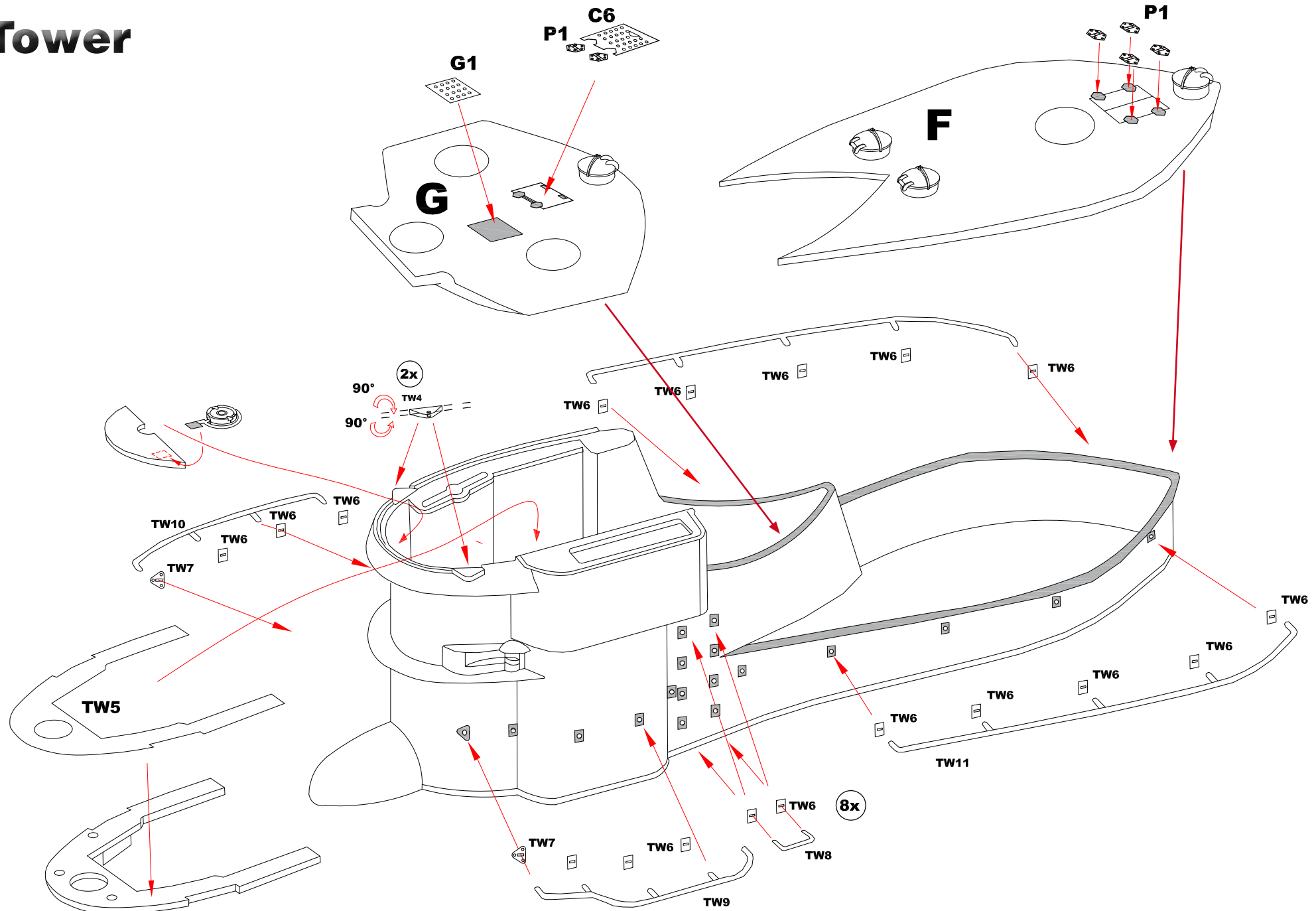
Remove



Tower Brass deck



# Tower



REVELL tower deck part



# Gun 20 mm

