



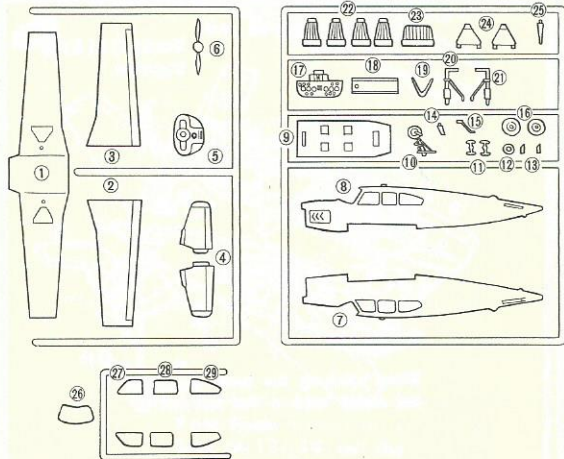
Beach Craft-Model V35B Bonanza

Assembly Instructions

With the characteristic V shaped tail, this model is very popular. This is a masterpiece business plane and popular in the field of light aircraft together with the high winged Cessna. Since its first flight in 1945, Beach Craft Corp. have produced nearly 10,000 planes of this model. At present the V tail plane is somewhat unsteady in low speed flights and in air pockets and so in consideration of training for beginners, it is being remodelled to the Type 33 with the normal vertical and horizontal tail wings and manufactured under the same name of "Bonanza". On the other hand, the popularity of the V tailed plane under the name of "Bonanza" is still popular as ever. A large number of the model T-34 "Mender" is presently used by the Self Defense Air Corp, which is being manufactured by Fuji Heavy Industries in Japan, however, this plane also has been designed based on the "Bonanza" and has been proved to be excellent.

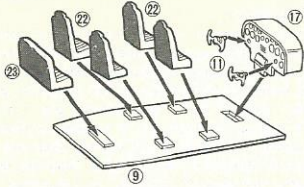
Overall width	10.0m	Max. Speed	402km/h
Overall Length	8.0m	Cruising Speed	360km/h
Overall Height	2.0m	Stall Speed	102km/h
Size of Main Wing	16.8m	Rate of Climb	373m/min
Engine	Continental TS10-520	Practical Climb Limit	8,100m
Air Cooled	285hp - 1	Flight Distance	1,700km
Net Weight	923kg	Take off and Landing Distance	402m/300m
Gross Weight	1,542kg	NO. of Seats	4-6

Part Diagram



1

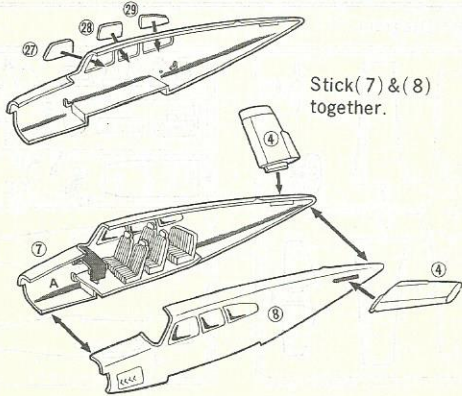
Stick(11) to(17)
Stick(17)(22)(23)to(9)



Paint Guide
Grayon(11)(17)and silver on
meter of(17) Red or light brown
on(22)(23)

2

Stick the glass on the body but do
not use too much adhesive agent.

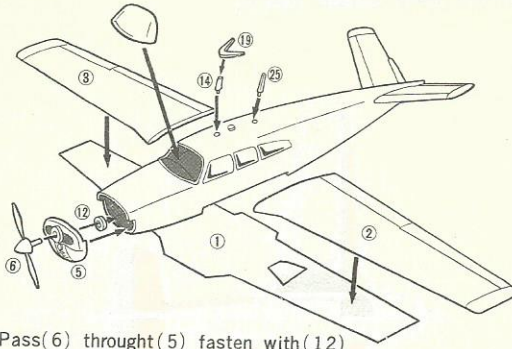


Stick(7)&(8)
together.

When sticking the body together,
put some lead in the section A.

3

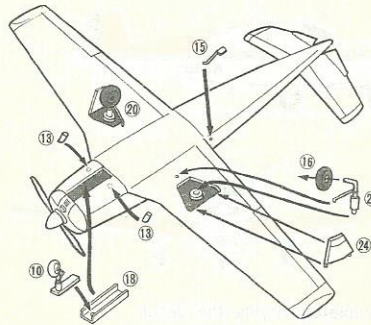
Stick all parts together



Pass(6) through(5) fasten with(12)
and stick to the body of the Plane

4

Stick all Parts together

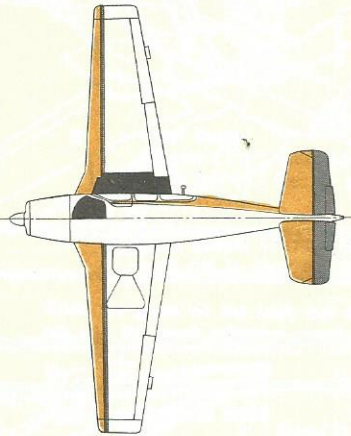


Paint Guide
Gray on(13)(16)and the
tire of (10) Silveron(15)

Paint Decal (Transcription Mark)

This is a typical example.

You may devise suitable coloring.



After completely drying the decal,
cut off the transparent section
with a cutter.