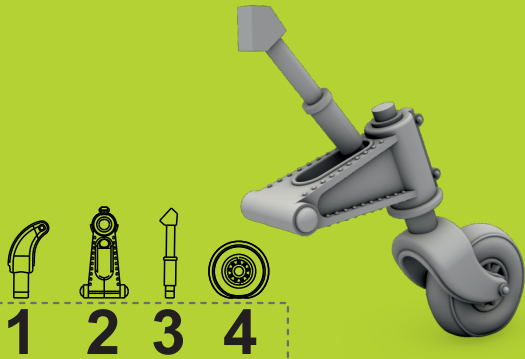


**Q48372 Reggiane Re 2000 Tailwheel  
1/48  
with Strengthened Leg**  
for Special Hobby kit



PX - Hard Polyurethane parts



© Special Hobby 2020

Díly ohnuté popř. pokroucené vlivem teplotních změn a stárnutí materiálu, mohou být narovnané do požadovaného tvaru pomocí proudu teplé vody nebo vzduchu (fén na vlasy).

*Parts slightly distorted and bent owing to temperature changes or due to material ageing can be straightened to requested shape by hot water or hot air jet. (hair dryer)*

*This process can be repeated till result is entirely satisfactory.*

*K lepení použít kyanoakrylátové lepidlo!  
For best result gluing use cyanoacrylate glue!*

*Kontaktní plochy doporučujeme před lepením odmastit  
Contact areas ungrease is recommended before gluing.*

Visit our official website and e-shop at

**www.cmkkits.com**  
**www.specialhobby.eu**  
**www.facebook.com/specialhobby/**

Other CMK sets for 1/48 Special Hobby Reggiane Re.2005

**Q48364**  
Reggiane Re 2005  
Main Wheels



**Q48365**  
Reggiane Re 2005  
Tailwheel  
with Strengthened  
Leg



**Q48367**  
Reggiane Re 2005  
Exhausts



**Q48368**  
Reggiane Re 2005  
Supercharger Air Intake



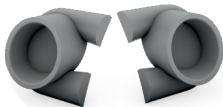
Special Hobby, Mezilesí 718, Praha 9, 193 00, Czech Republic  
e-mail: office@specialhobby.eu

Other CMK sets  
for 1/48 Special Hobby  
Reggiane Re.2000

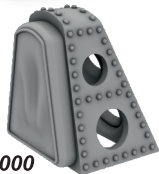
**Q48371**  
Reggiane Re 2000  
Main Wheels



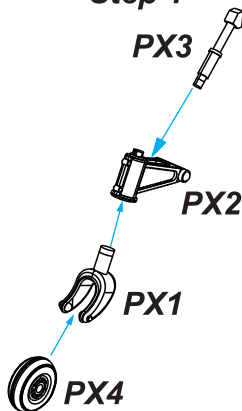
**Q48373**  
Reggiane Re 2000  
Exhausts



**Q48374**  
Reggiane Re 2000  
Headrest



**Step 1**



**Step 2**

