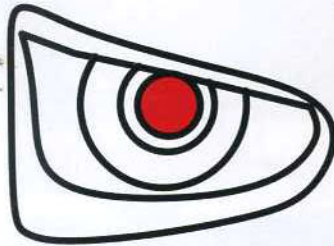


M1124 MaxxPro

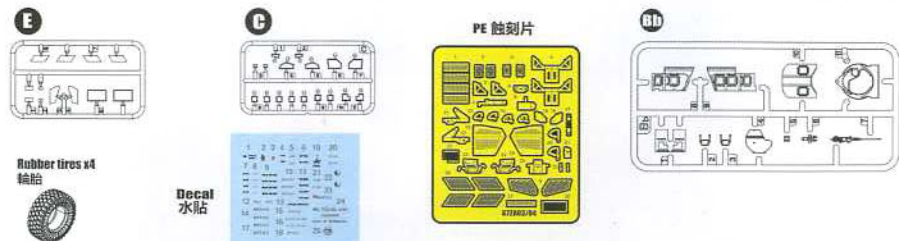
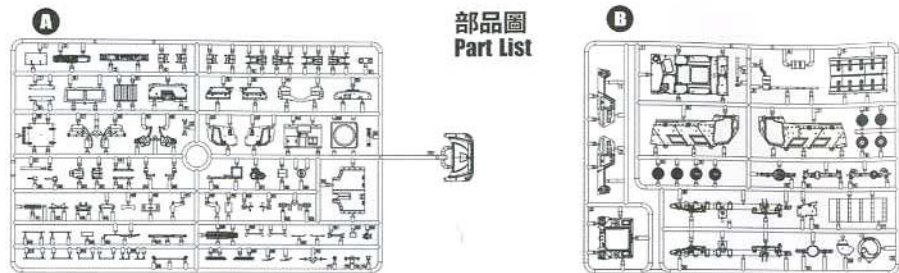
Mine Resistant Ambush Protected (MRAP) Vehicle



T-MODEL

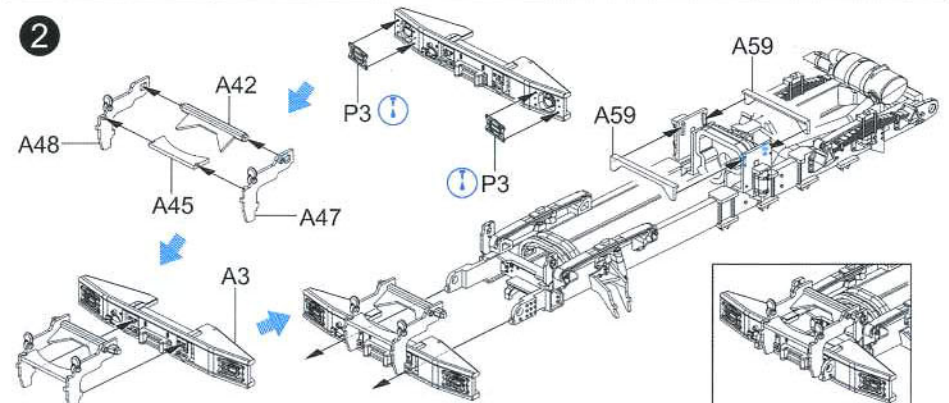
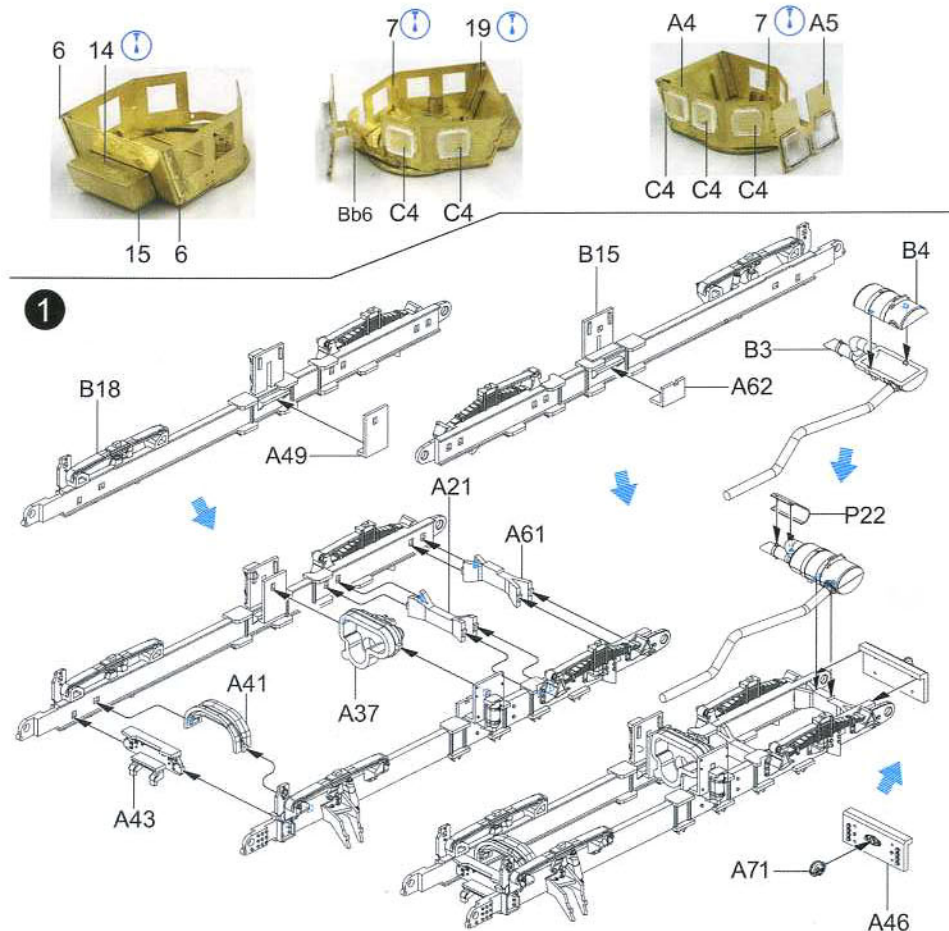
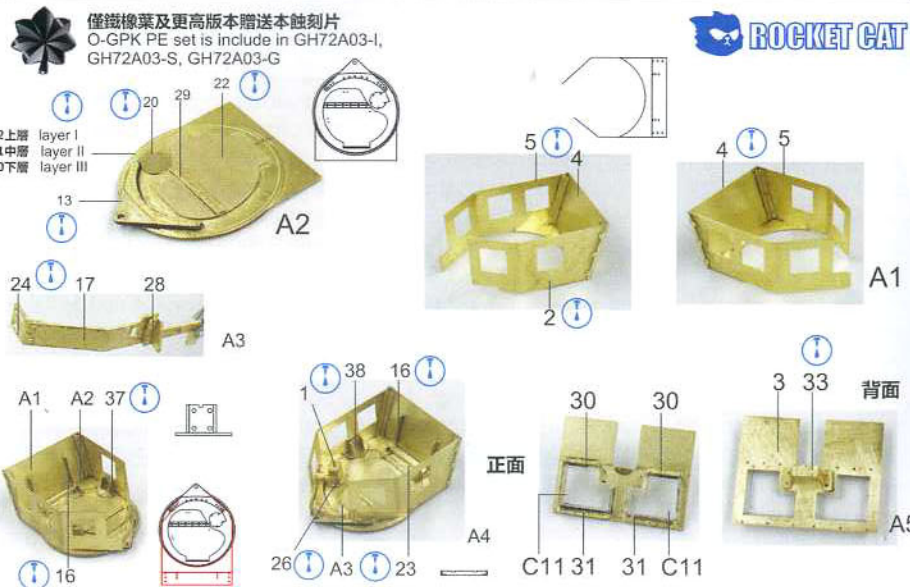
The M1124 MaxxPro was developed by Navistar International as a 4x4, Mine Resistant Ambush Protected armored vehicle. It is built on the International 7000 series chassis with armor designed by Plasan Sasa of Israel. It was built for the United States Marine Corps with the first two pilot vehicles ready for testing in 2007. After successful trials production orders were placed the same year by both the USMC and US Army. Several variants have appeared with different levels of protection, a weapon station is normally mounted on the roof. The M1124 weighs 13.5 tons and is powered by a MaxxFord D9 330 bhp diesel engine and Allison 3000 5-speed automatic transmission. It is capable of speeds up to 100 km/h and has a road range of 400 km. The M1124 features bolted armor panels which can quickly be replaced in the field, rather than conventional welded armor. The vehicle is primarily used for patrol in hostile territory and can withstand a mine or IED with up to 7kg of explosive. Over 9,000 MaxxPro MRAP's have been built and it is used by all branches of the US military. It has also been purchased by 20 friendly nations for military and police use. Most M1124's have been used in Iraq and Afghanistan to combat terrorist forces, replacing the more vulnerable HUMVEE and other soft skin vehicles.

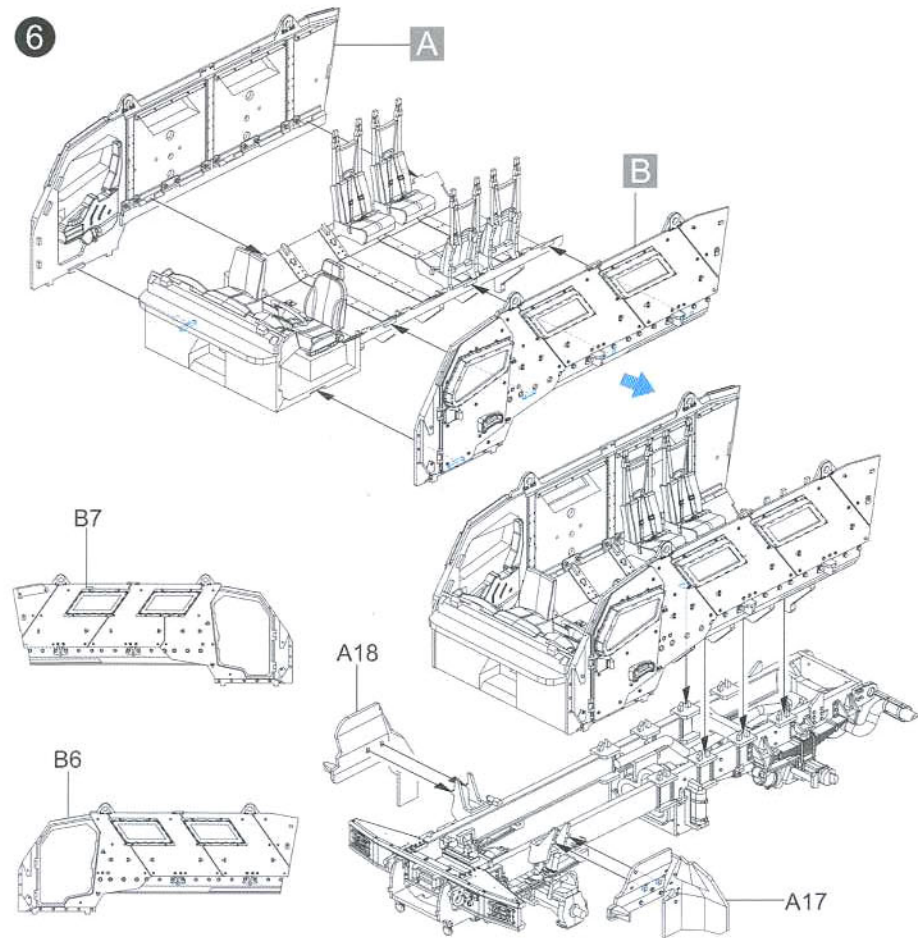
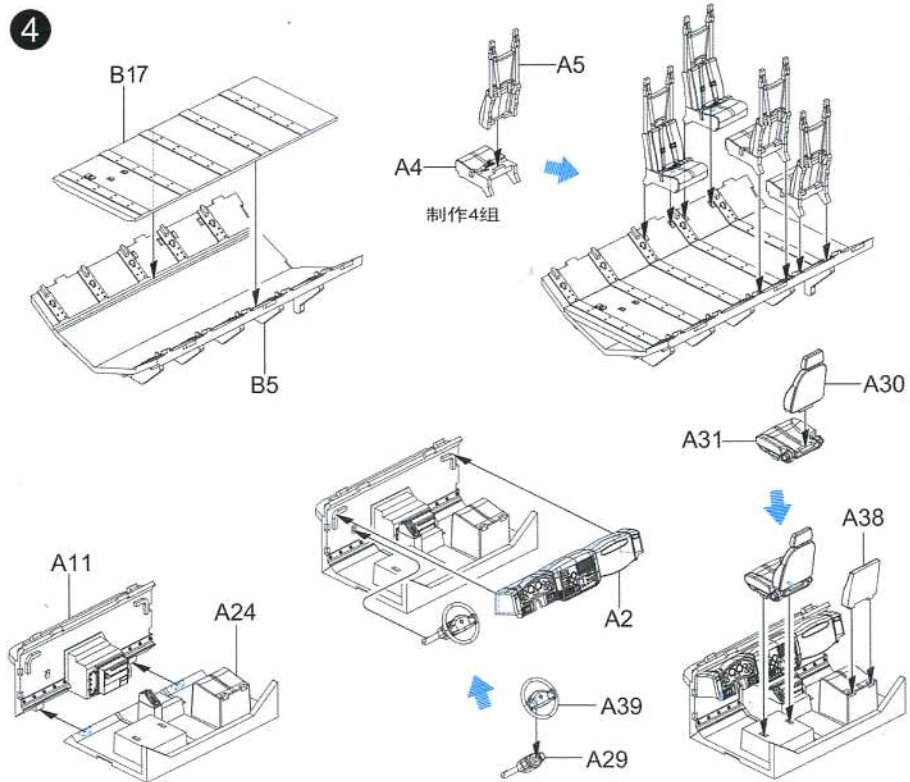
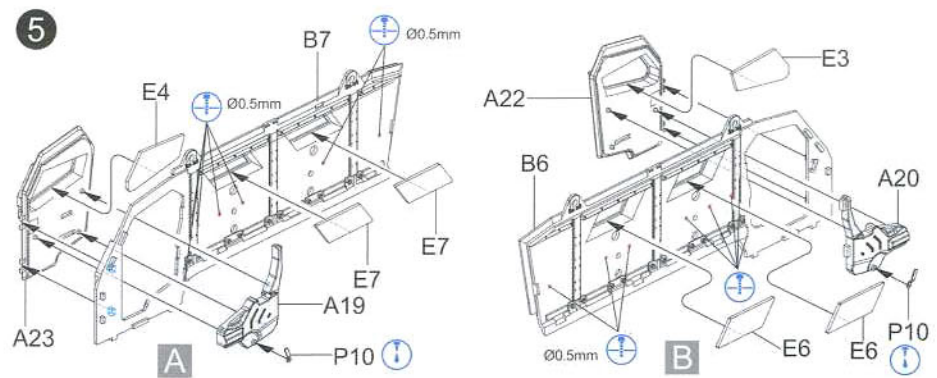
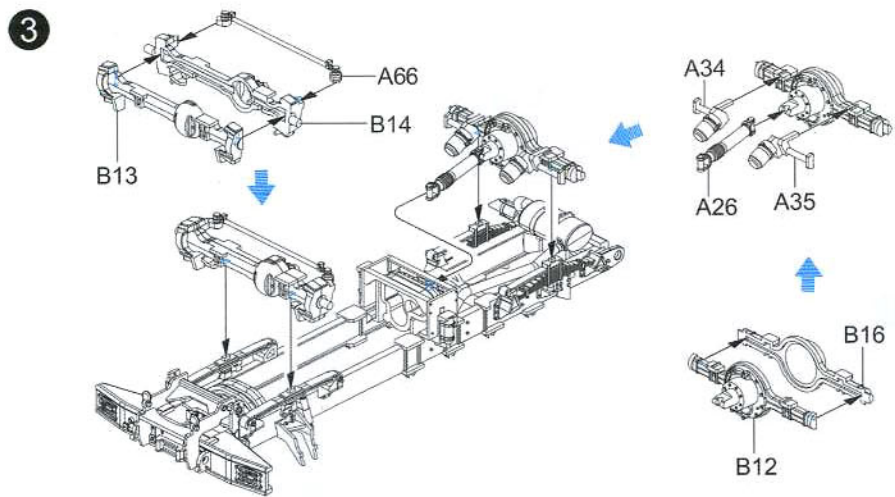
M1124麥斯普爾(MaxxPro)是由國際導航之星(Navistar International)公司所設計。麥斯普爾是在4x4國際勞工之星(WorkStar) 7000卡車底盤上裝上可防爆炸及小型武器攻擊的V形裝甲車身，在2007年提交當局測試的其中壹款樣辦車動力是由壹臺可輸出330bhp的(MaxxForce)D-9引擎所提供而傳動系統則為亞裏遜(Allison) 3000 5速自動檔。最初美國海軍陸戰隊1200輛使用，稍後其他美軍單位及出口訂單合共再訂了7,192臺。最近在阿富汗和伊拉克的衝突突顯了使用悍馬車(Humvee)作為巡邏車的弱點。由於吸收了作戰經驗而被開發出來的新類型巡邏車MRAP或者稱'防地雷伏擊車'被派上戰場。

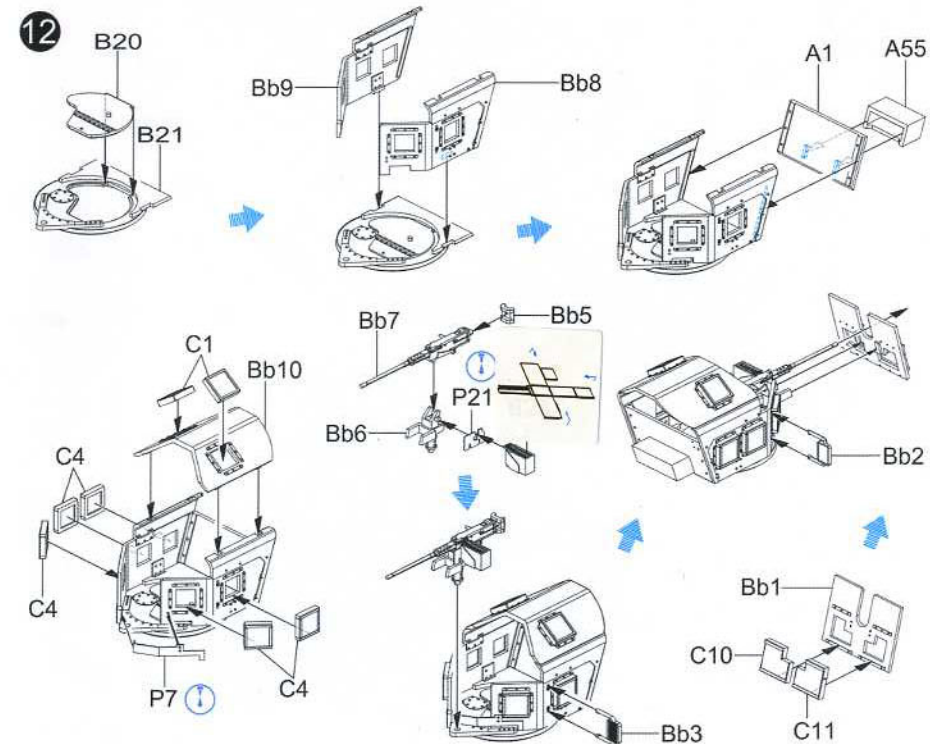
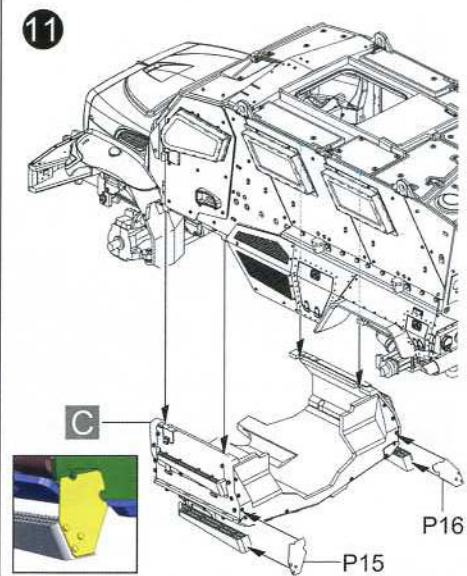
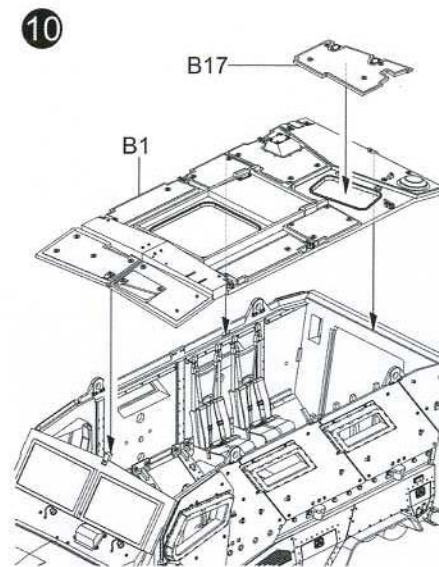
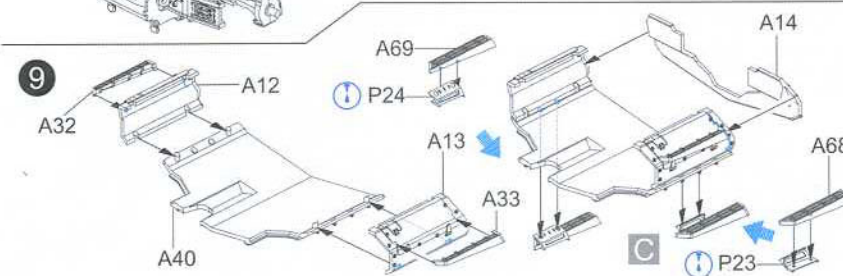
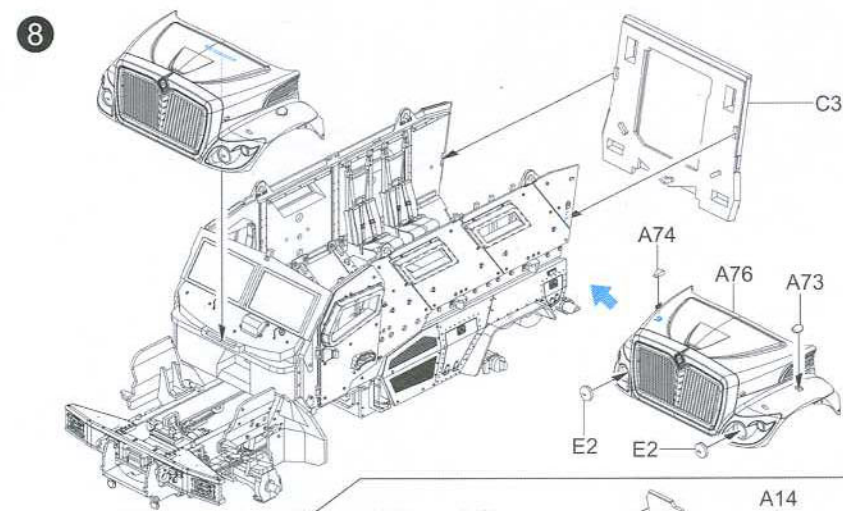
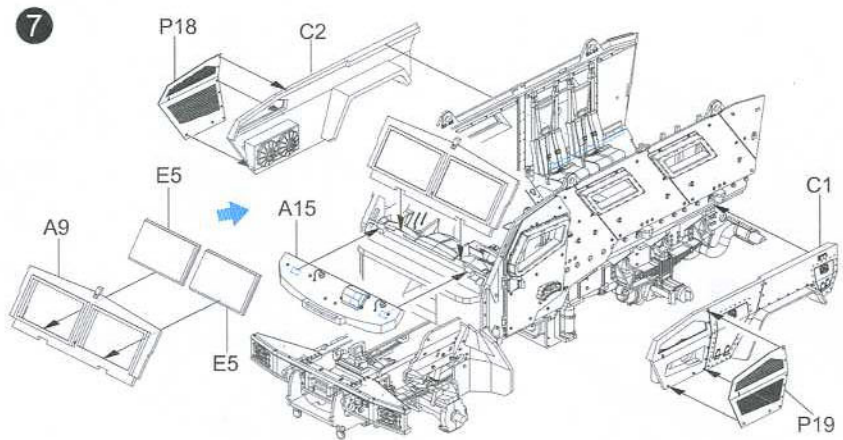


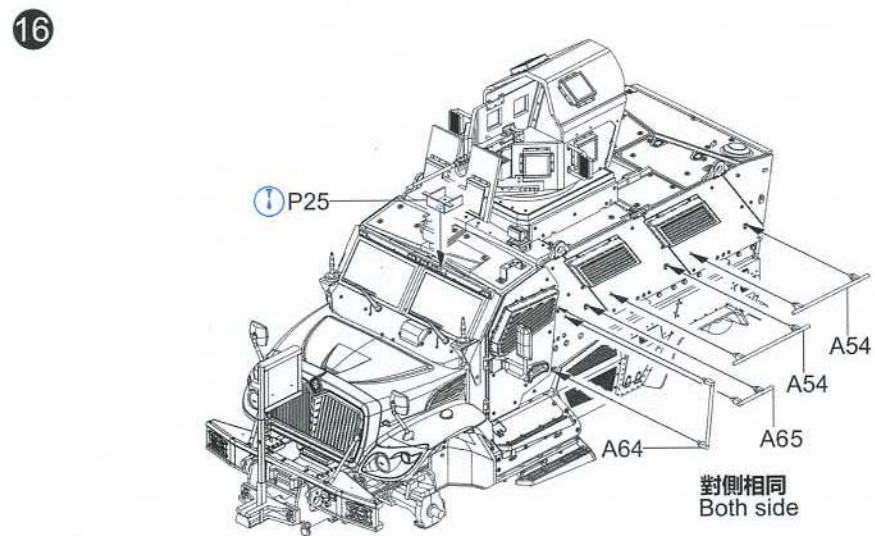
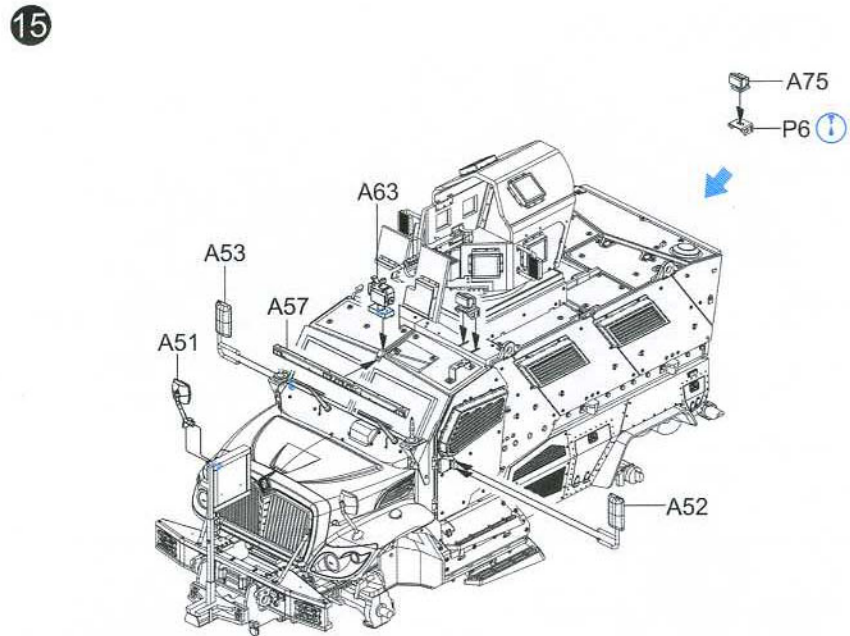
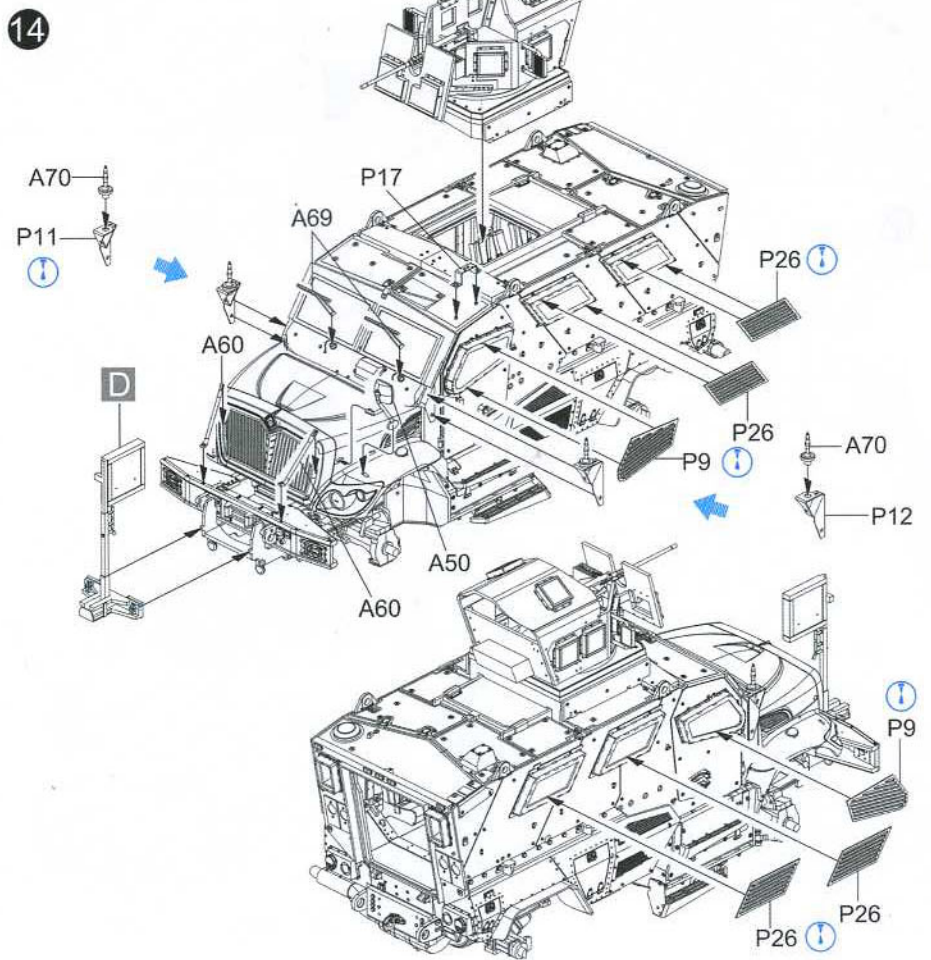
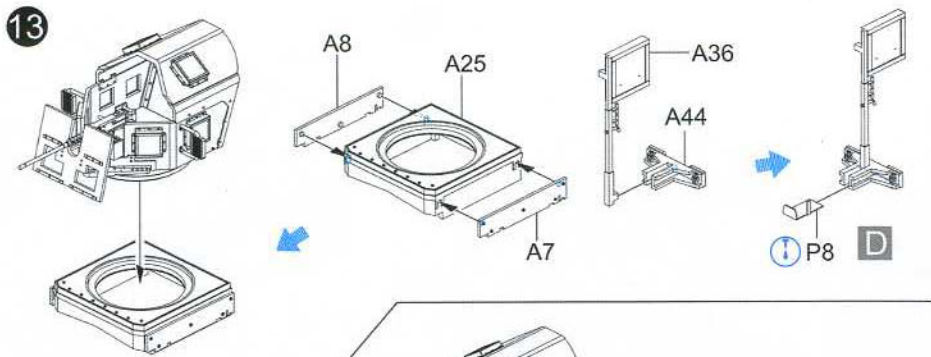
Meaning of icons

	FILL HOLE 填平孔洞 穴を埋めてください		OPEN HOLE 钻出孔洞 穴を開けてください		OPTIONAL 可选择使用 どちらか選択してください		REMOVE 切除 切り取ってください
	BE CAREFUL 小心注意 注意してください		APPLY DECAL 貼上水貼 デカールを貼ってください		DO NOT CEMENT 不用粘接 接着しないでください		INSTANT GLUE 速干胶 瞬間接着剂

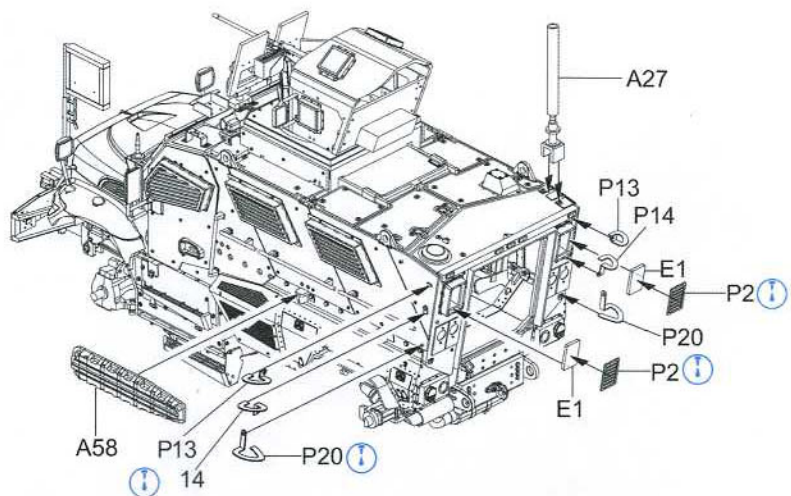




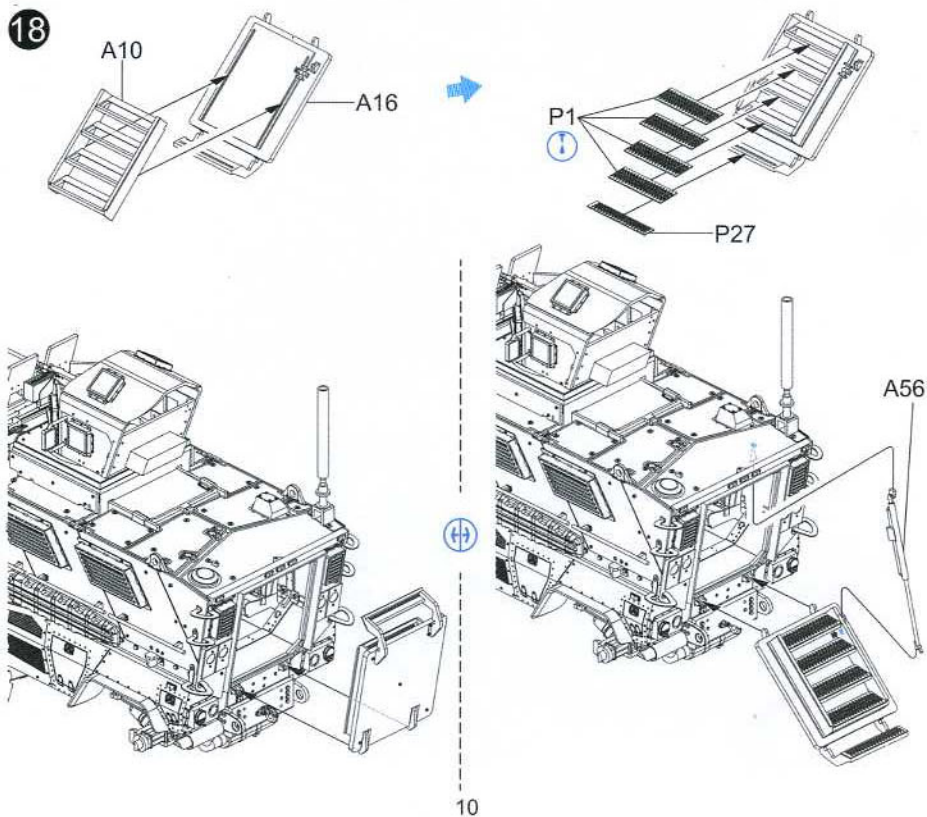




17

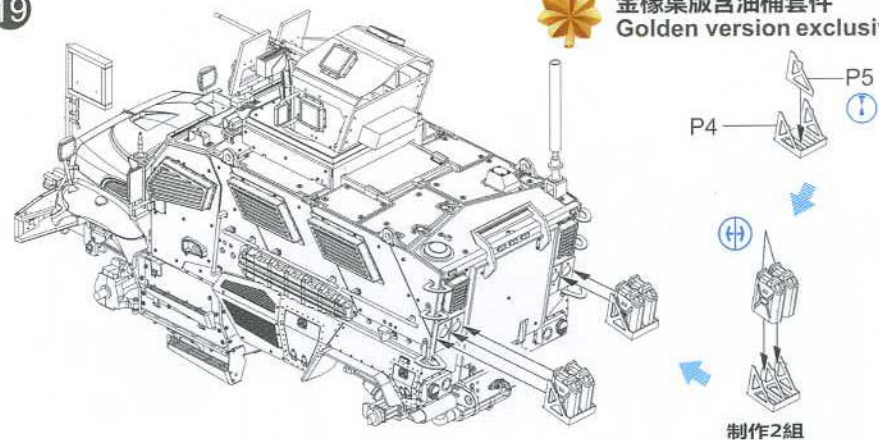


18



19

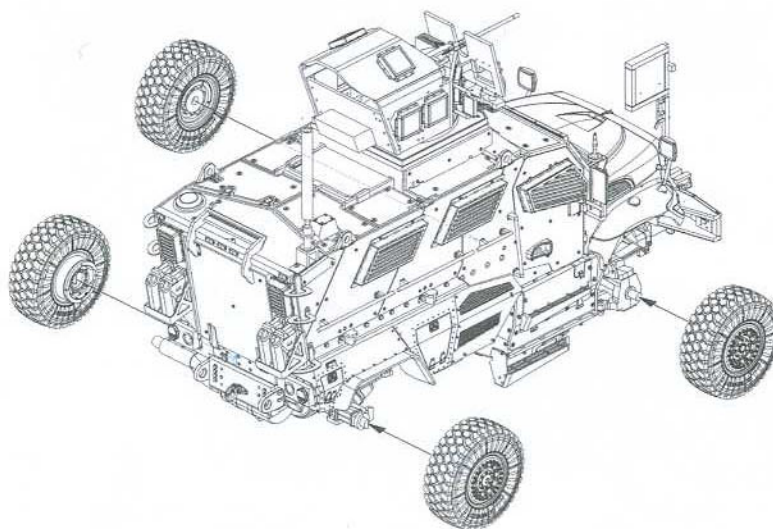
金橡葉版含油桶套件
Golden version exclusive

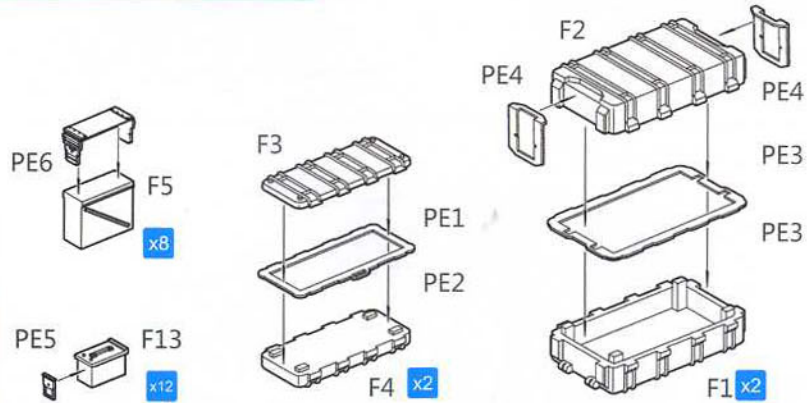
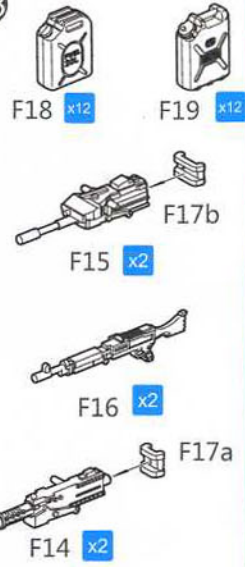
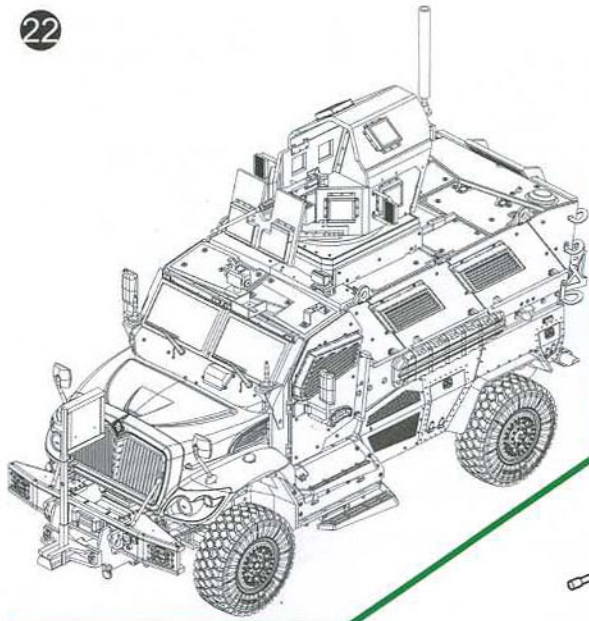


20

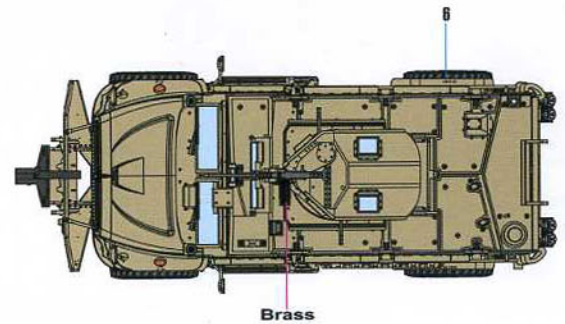
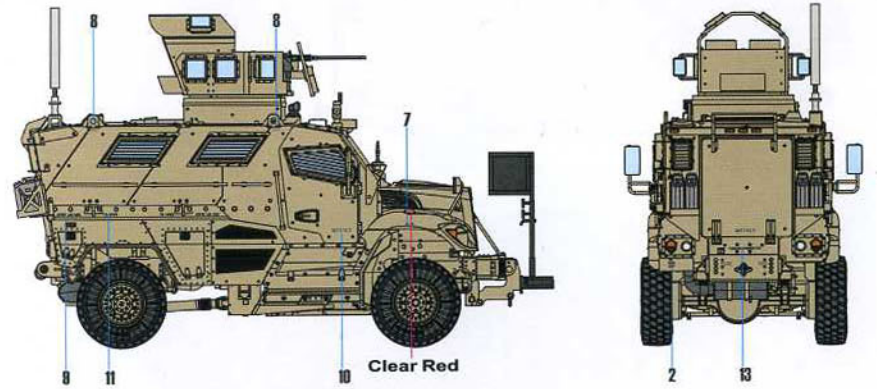
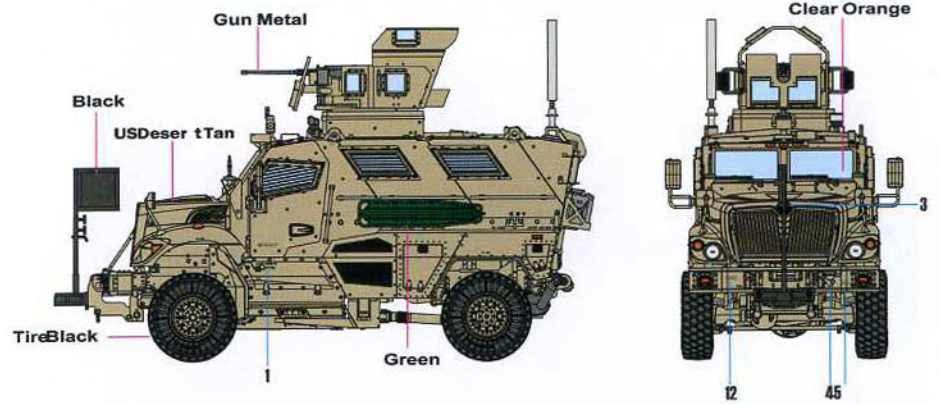


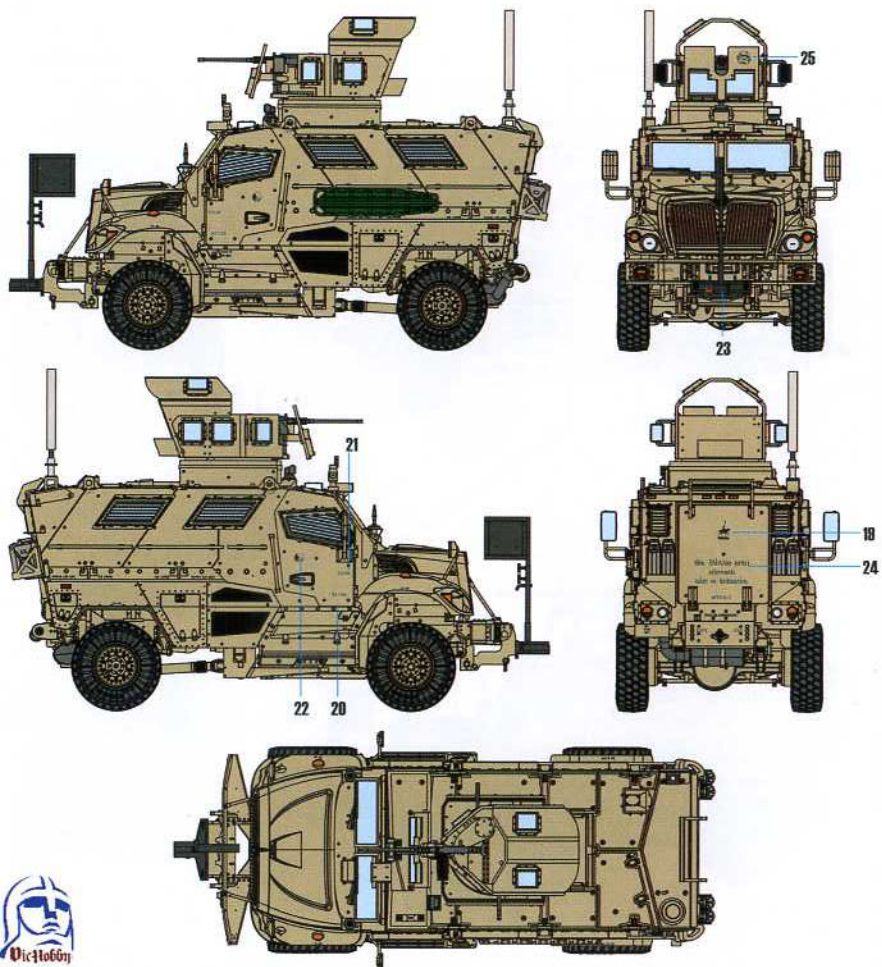
21






 僅金橡葉版包含此補品套件
 Golden version exclusive





***The colors scheme's reference work is completed by VIC.

***本套配色方案由微客漆考證完成。

	Color Name	FS/ RAL S standard	VIC	MIG AMMO	TAMIYA	MrHOBB Y	Vallejo
	USDeser t Tan	FS334 46	MA150	AMIG -025	XF55	C 313	70819
	Tire Black	RAL 9005	MA 217	AMIG -033	XF85	C137	70994
	Greenr	RAL 9006	MH001	AMIG -195	X-11	C 8	70 997
	Gun Metal	RAL 9007	MH002	AMIG -045	X-10	C78	71073
	Brass	FS17043	MH007	AMIG -198	X-12	C219	70996
	Clear Red		MC001	AMIG -093	X-27	C47	70934
	Clear Orange		MC002	AMIG -097	X-26	C49	70828

