



Porsche 956

Designed for all Tamiya 1/24 Porsche 956 Kits

Companion Products:

Sku 190101 Porsche 956 Up Close & Mechanical Photo CD

Sku 8124 Racing Harness Set

Scale Motorsport

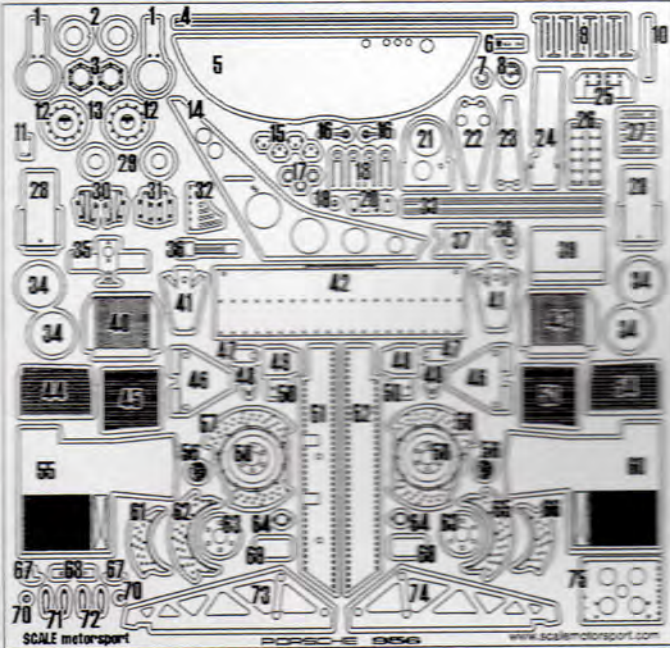
P.O. Box 823

Newtown, CT 06470 USA

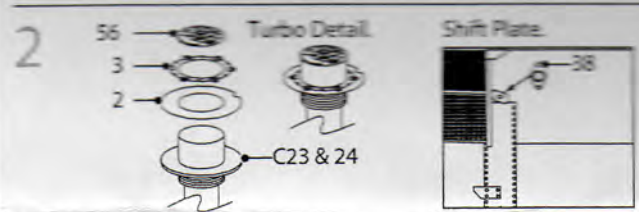
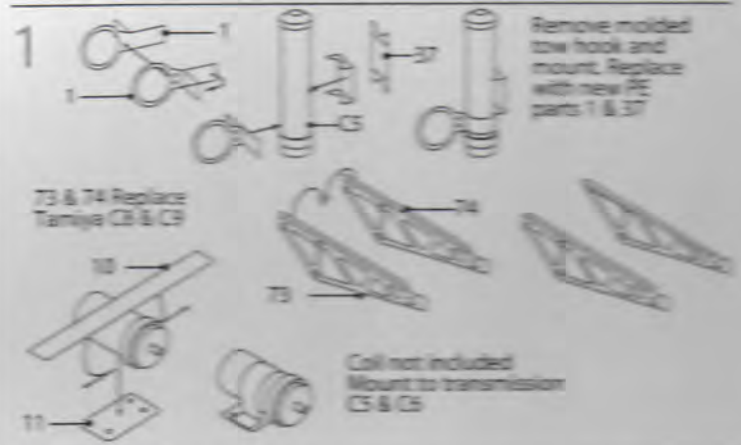
customerservice@scalemotorsport.com

www.scalemotorsport.com

SKU 8022



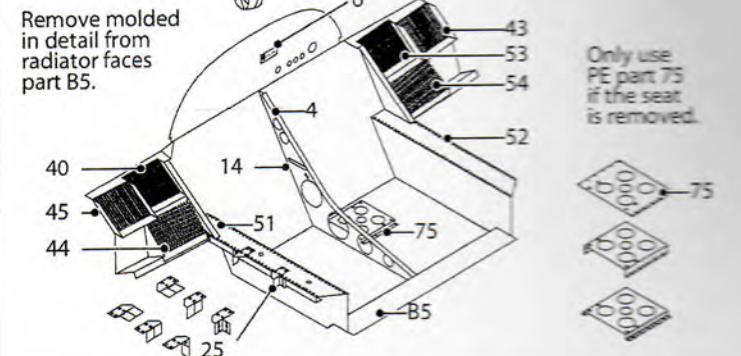
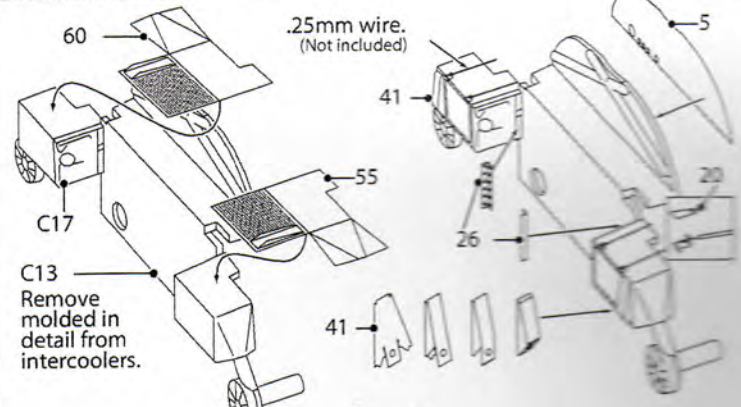
Step numbers are coordinated with Tamiya instructions 24049-1600 (2009 Re-release Newman Porsche 956. Tamiya step numbers vary depending on kit number.



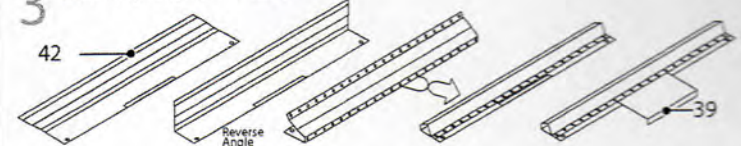
BUILD SOMETHING!

- | | |
|---------------------------|---------------------------|
| 1 R Tow Hook | 38 Shift Escutcheon Plate |
| 2 Turbo Shields | 39 Detail for Part 42 |
| 3 Turbo Details | 40 Radiator Grill |
| 4 Cockpit Detail | 41 Intercooler |
| 5 Firewall Detail | 42 Rear Body Shelf |
| 6 Chassis Plate | 43 Radiator Grill |
| 7 Escutcheon Plate Detail | 44 Radiator Grill |
| 8 Oil Tank Cap | 45 Radiator Grill |
| 9 Body Fast. | 46 Pedal Housing |
| 10 Coil Strap | 47 Fuel Regulator Bracket |
| 11 Coil Mount | 48 Marker Light |
| 12 Dry Break Detail | 49 Pedal |
| 13 Dry Break Detail | 50 Body Fastener Plate |
| 14 Cockpit Center | 51 Cockpit Detail |
| 15 Door Hinges | 52 Cockpit Detail |
| 16 Air Jack | 53 Radiator Grill |
| 17 Air Jack Detail | 54 Radiator Grill |
| 18 Wheel Locks | 55 Intercooler |
| 19 Air Jack | 56 Turbo Detail |
| 20 Intercooler | 57 R Brake Disc |
| 21 F Tow Hook | 58 Rear Hub |
| 22 Brake Pedal Shaft | 59 R Brake Disc |
| 23 Clutch Pedal Shaft | 60 Intercooler |
| 24 Accelerator Pedal | 61 F Brake Disc |
| 25 Cockpit Detail | 62 F Brake Disc |
| 26 Firewall Detail | 63 Front Hub |
| 27 Door Hinges | 64 Marker Light |
| 28 Body Fastener Plate | 65 F Brake Disc |
| 29 Dry Break Detail | 66 F Brake Disc |
| 30 Door Hinges | 67 Kill Switch |
| 31 Door Hinges | 68 Side Lights |
| 32 Radiator Bracket | 69 Side Mirrors |
| 33 Hose Clamps | 70 Door Locks |
| 34 Headlights | 71 Roof Lights |
| 35 Fuel Filter Bracket | 72 Roof Lights |
| 36 Seat Detail | 73 Rear Supports (74) |
| 37 R Jack Mount | 75 Cockpit Detail |

Bulkhead/Intercooler Detail.



3 Sand top of part C1 flat.





Porsche 956

Designed for all Tamiya 1/24 Porsche 956 Kits
Canon - Newman - Rothmans

SKU#8022

Scale Motorsport

P.O. Box 823

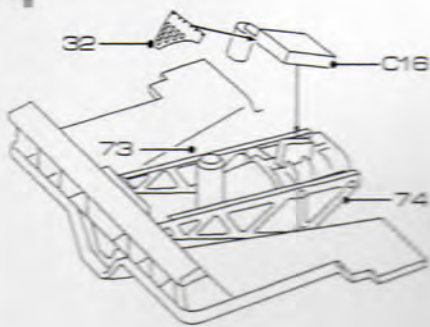
Newtown, CT 06470 USA

customerservice@scalemotorsport.com

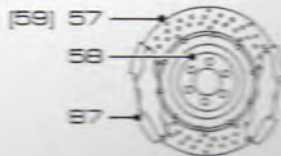
www.scalemotorsport.com

SKU 8022

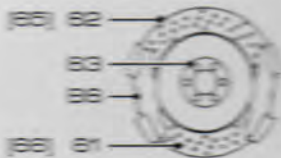
4 Oil Cooler Bracket



5 Rear Discs



7 Front Discs



10 Headlight Backing

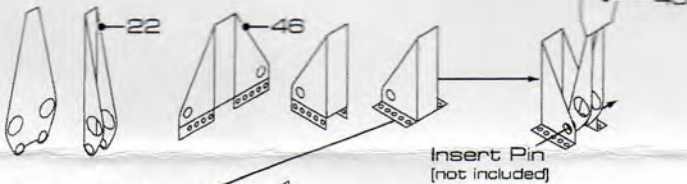


14 Oil Cap

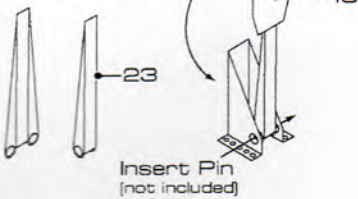


7 Pedal Assemblies

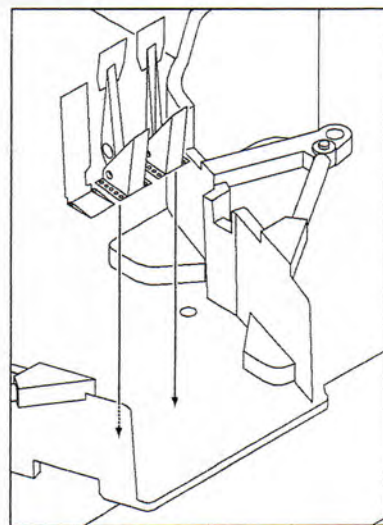
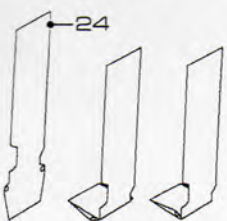
Brake Pedal



Clutch Pedal

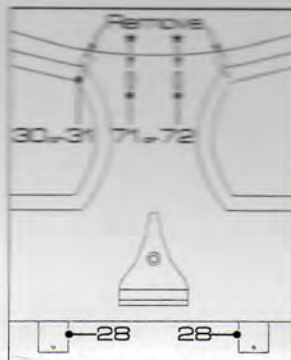


Accelerator Pedal



11 Body Details

* Only remove if using part 72

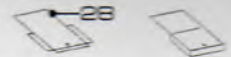


Drop clear glue to form lens cover.

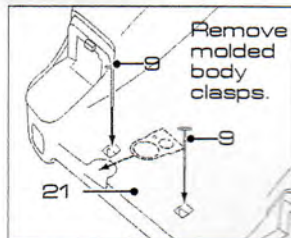
Roof Marker Lights



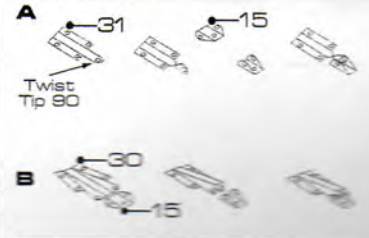
Fastener Plates



Door Hinges

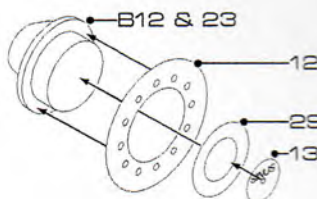


Remove molded body clasps.

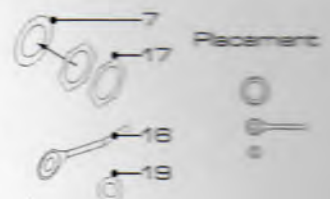


A Twist Tip 90

Dry Break

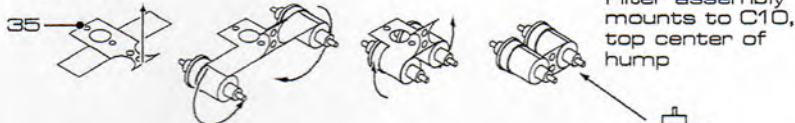


Air Jack Lever

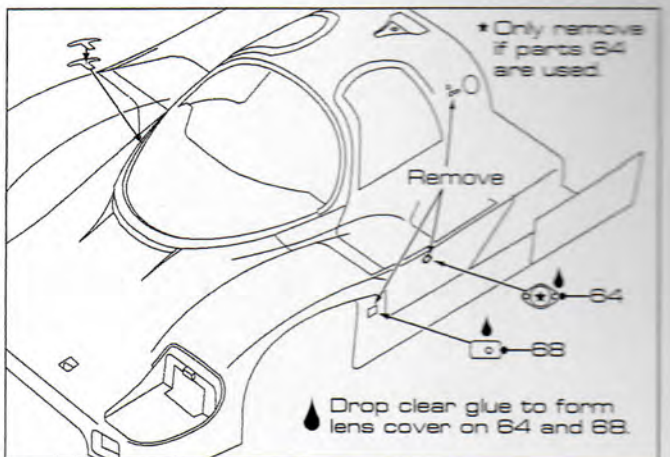
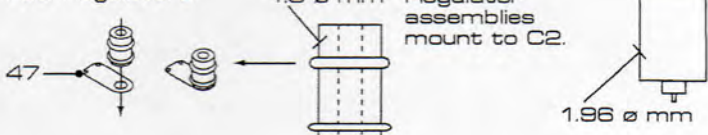


Misc. Scratch Building Required

Fuel Filters



Fuel Regulators



* Only remove if parts 64 are used.

Remove

Drop clear glue to form lens cover on 64 and 68.