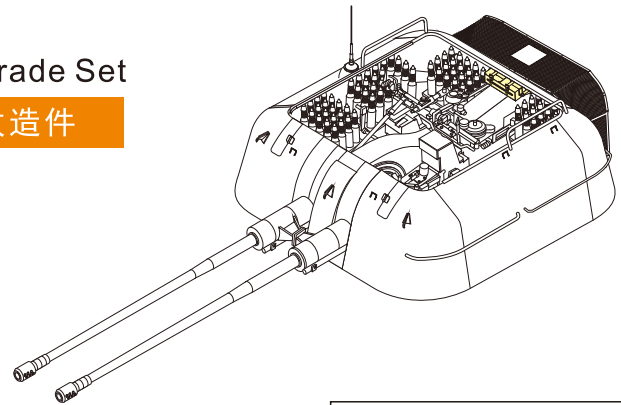


1/35 MILITARY MINIATURE VEHICLE UPGRADE SERIES PE351062

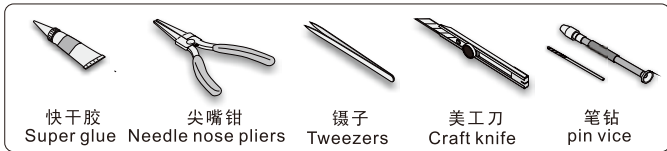
Soviet ZSU-57-2 SPAAG Turret Interior Upgrade Set

现代苏联 ZSU-57-2 防空自走高炮战斗室内改造件

[For TAKOM 2058]



推荐使用工具 RECOMMENDED TOOLS



快干胶 Super glue 尖嘴钳 Needle nose pliers 镊子 Tweezers 美工刀 Craft knife 笔钻 pin vice

↑
安装
install

↩
折叠
bend

A1
改造件零件编号
PE/resin part number

B12
原零件编号
kit part number

C22
被替换的原零件编号
replaced kit part number

↔
另一侧相同制作
repeat on opposite side

✂
切除
remove

🔪
打磨
grind off

🌀
弧度卷曲
radial bending

✖
制作若干组
multiple assembly

⇄
选择安装
alternative

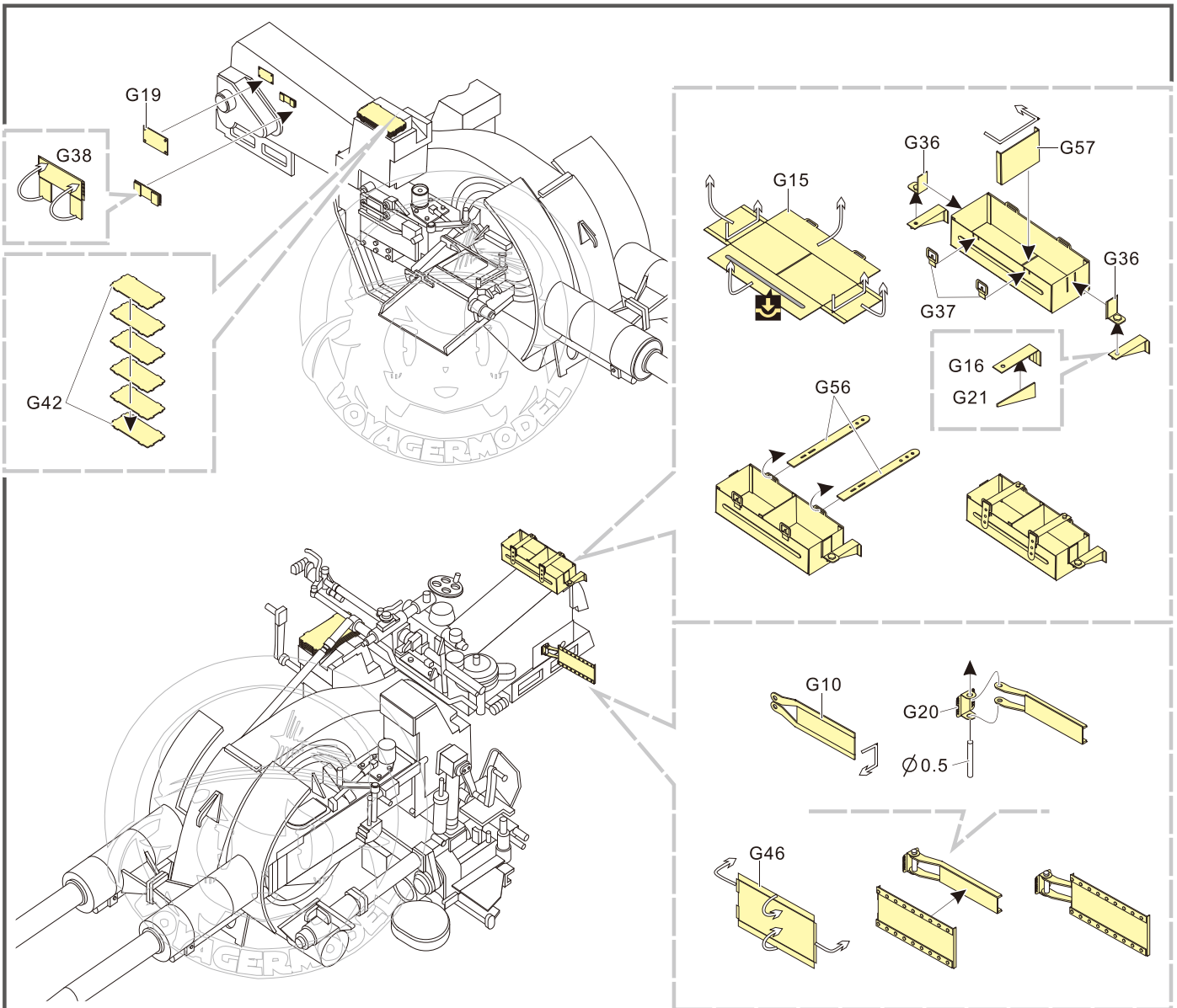
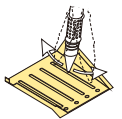
🔧
钻孔
drill

📌
用胶棒制作
make from plastic rod

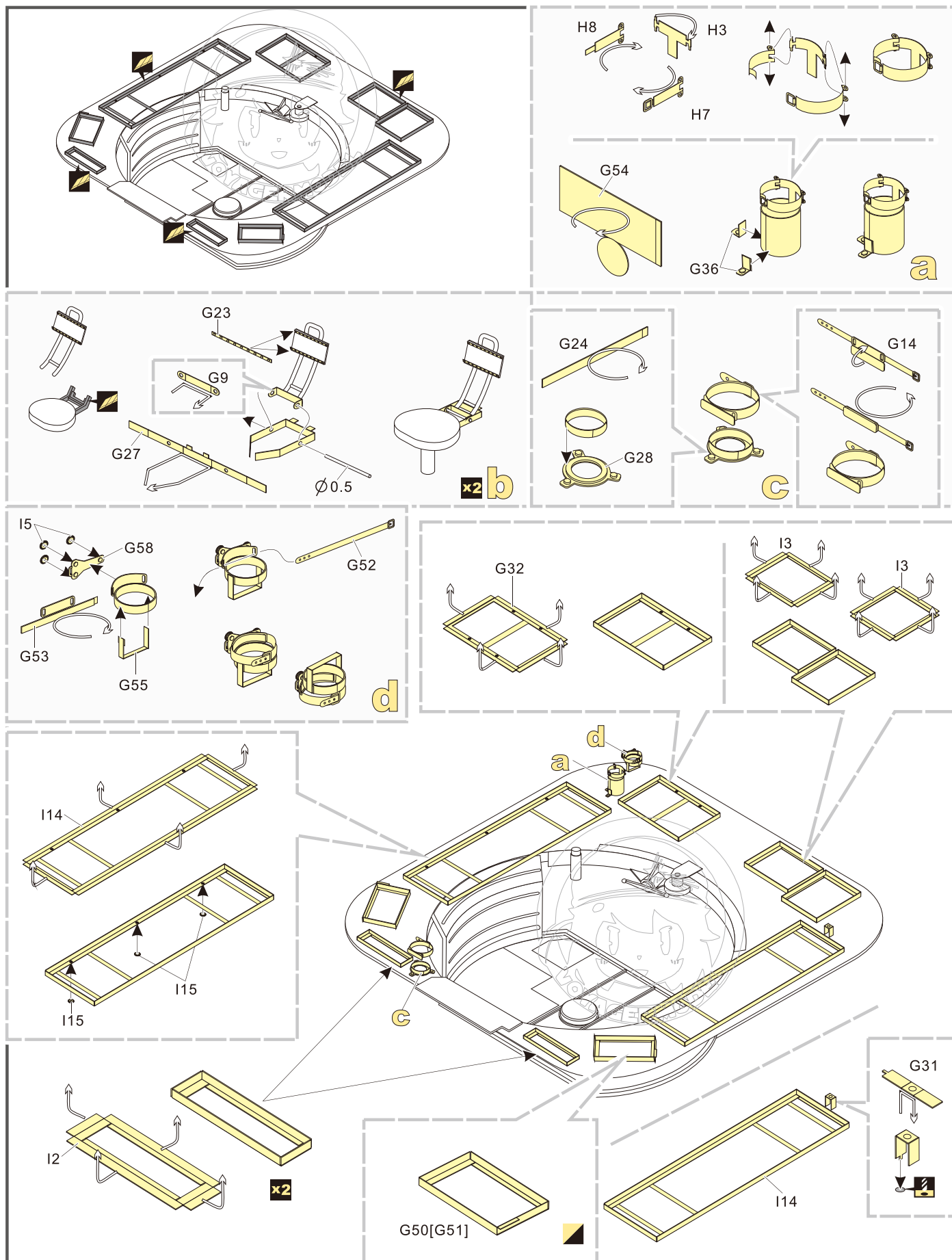
↓
用尖端在凹槽处冲压
use penpoint to press on the dent

📄
蚀刻片零件内侧面向上
Put the part upside down

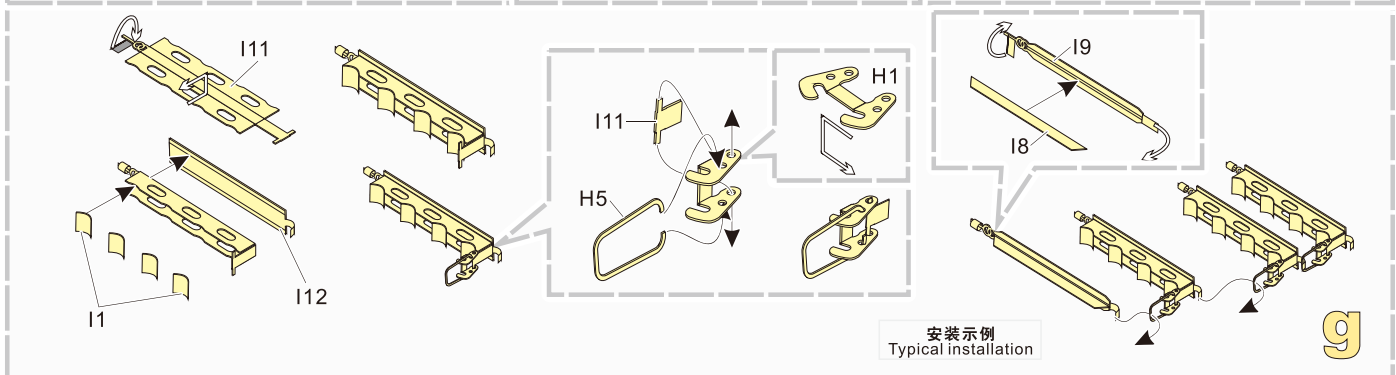
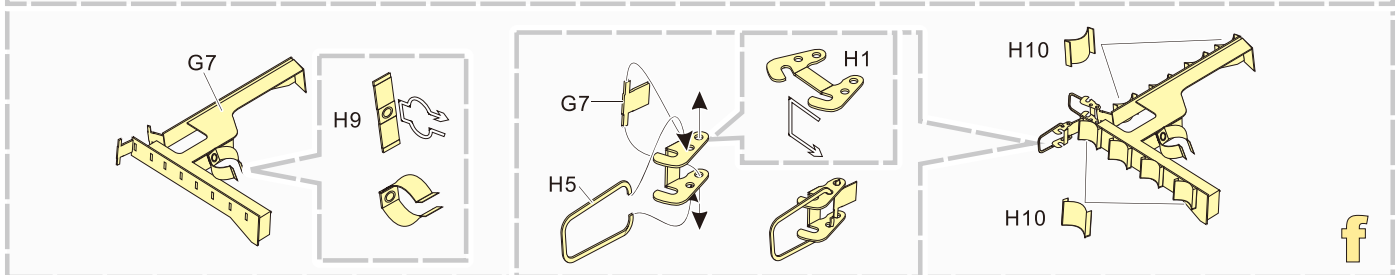
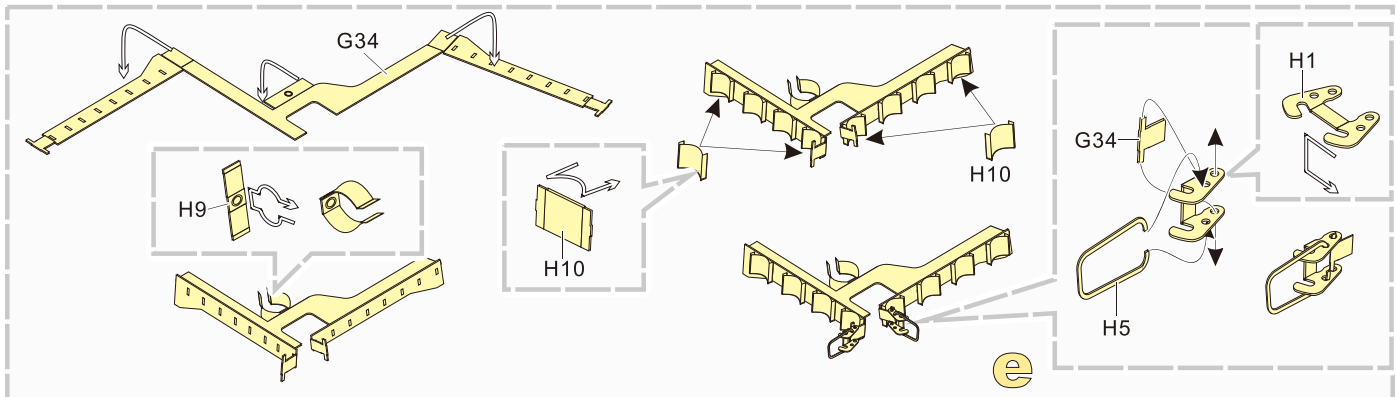
📌
用笔尖在凹槽处划
Use penpoint to press on the dent



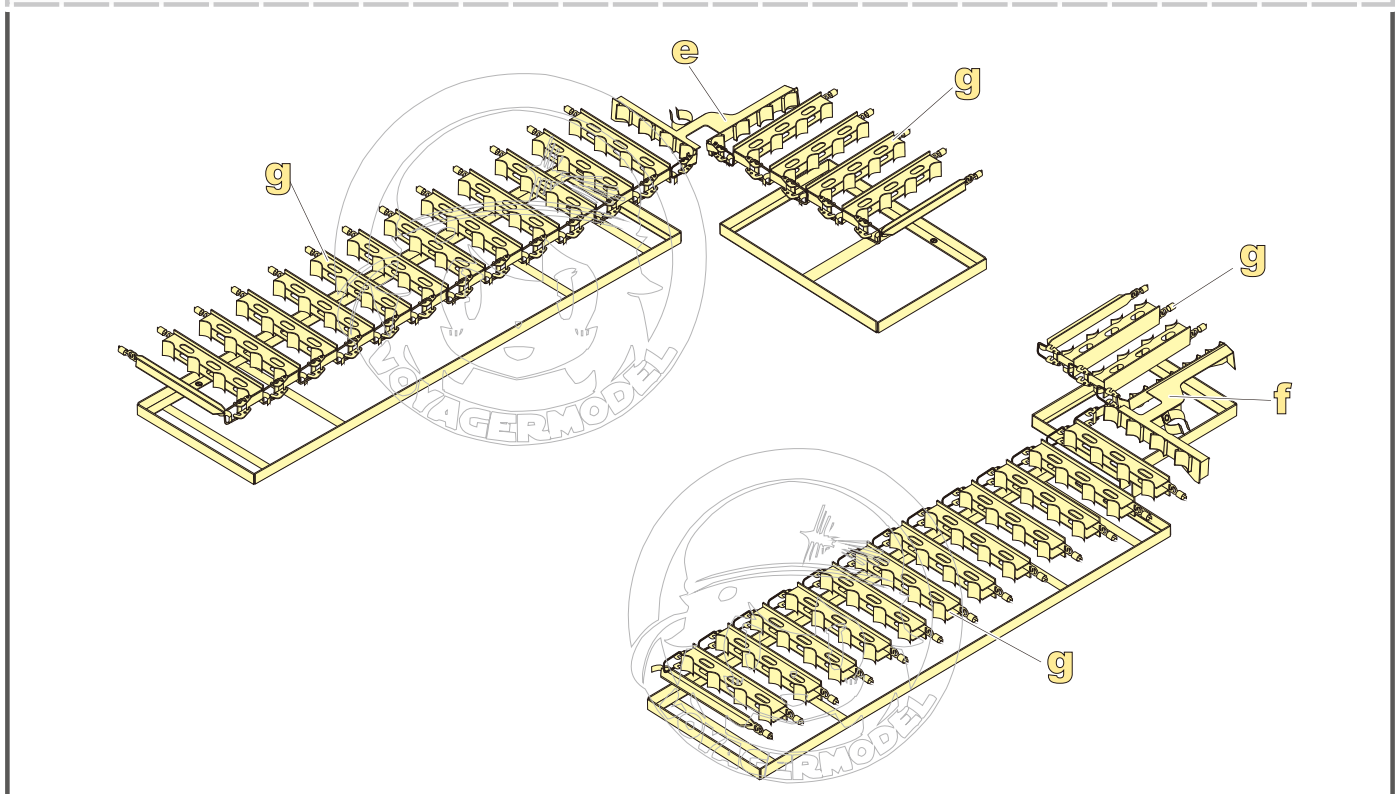
1/35 MILITARY MINIATURE VEHICLE UPGRADE SERIES PE351062



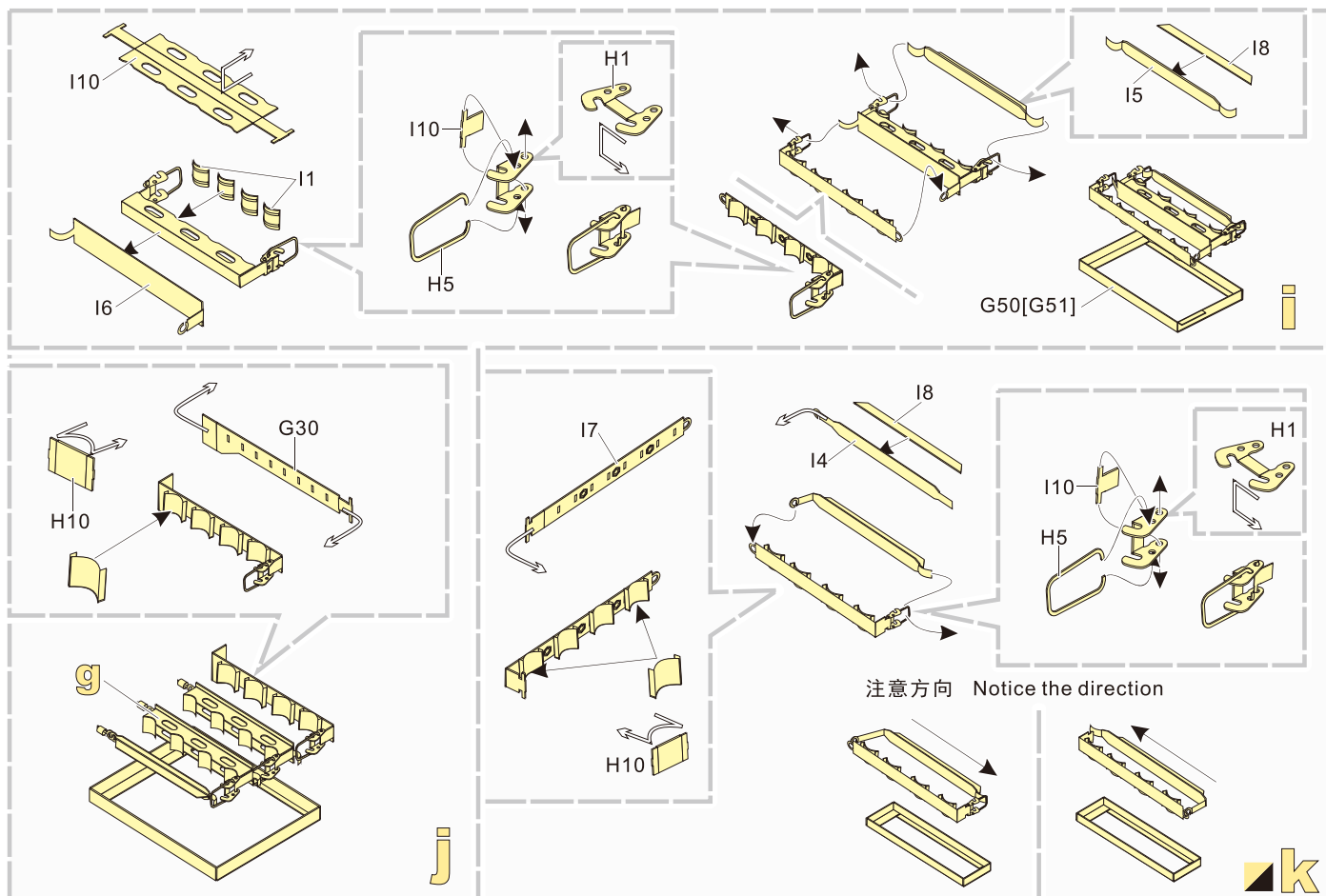
1/35 MILITARY MINIATURE VEHICLE UPGRADE SERIES PE351062



安装示例
Typical installation



1/35 MILITARY MINIATURE VEHICLE UPGRADE SERIES PE351062



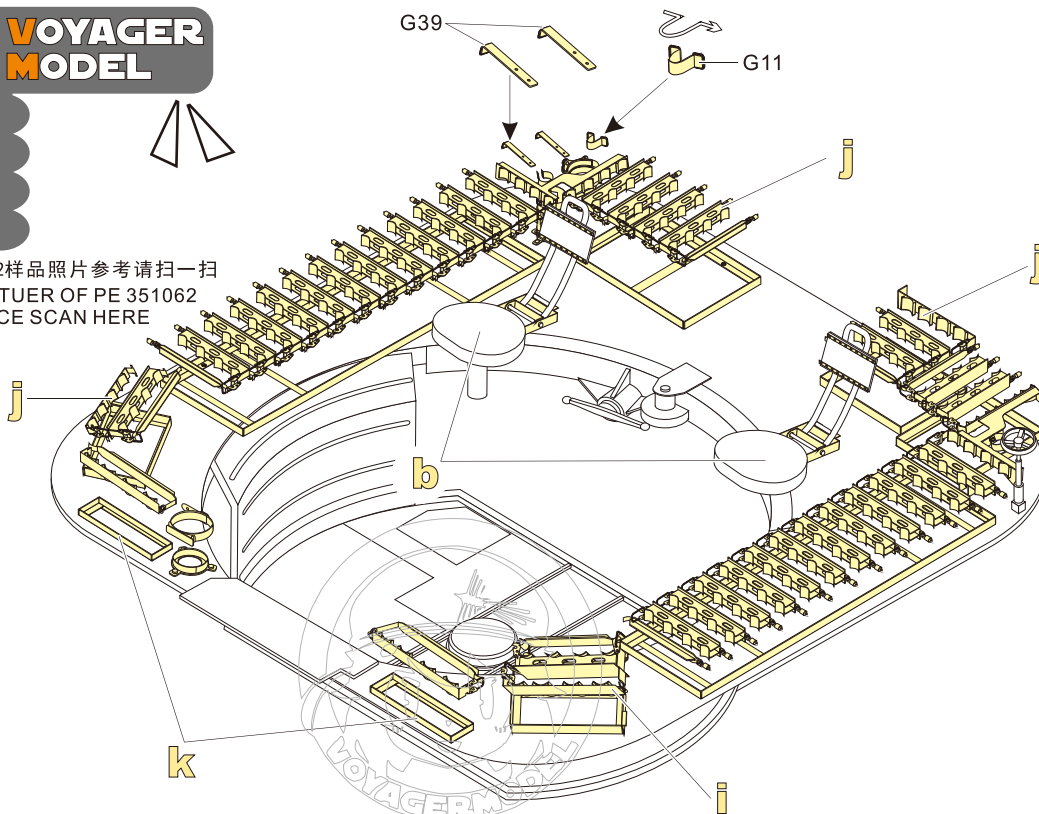
[Http://www.voyagermodel.com/productdetails.asp?itemid=PE351062](http://www.voyagermodel.com/productdetails.asp?itemid=PE351062)



**VOYAGER
MODEL**



更多PE351062样品照片参考请扫一扫
MORE PICTUER OF PE 351062
REFERENCE SCAN HERE



1/35 MILITARY MINIATURE VEHICLE UPGRADE SERIES PE351062

