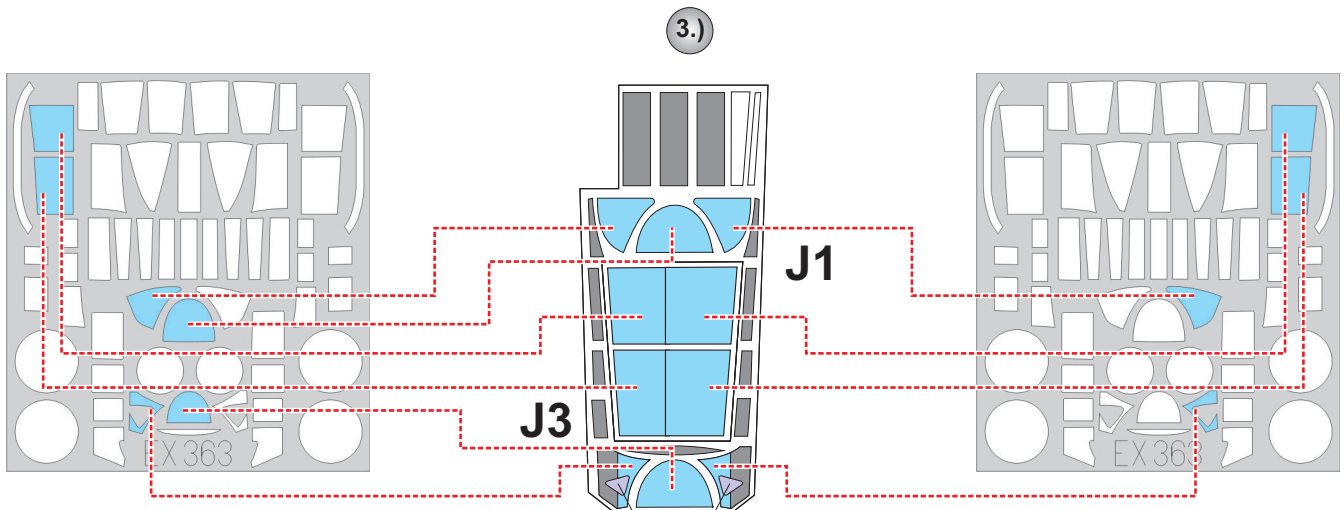
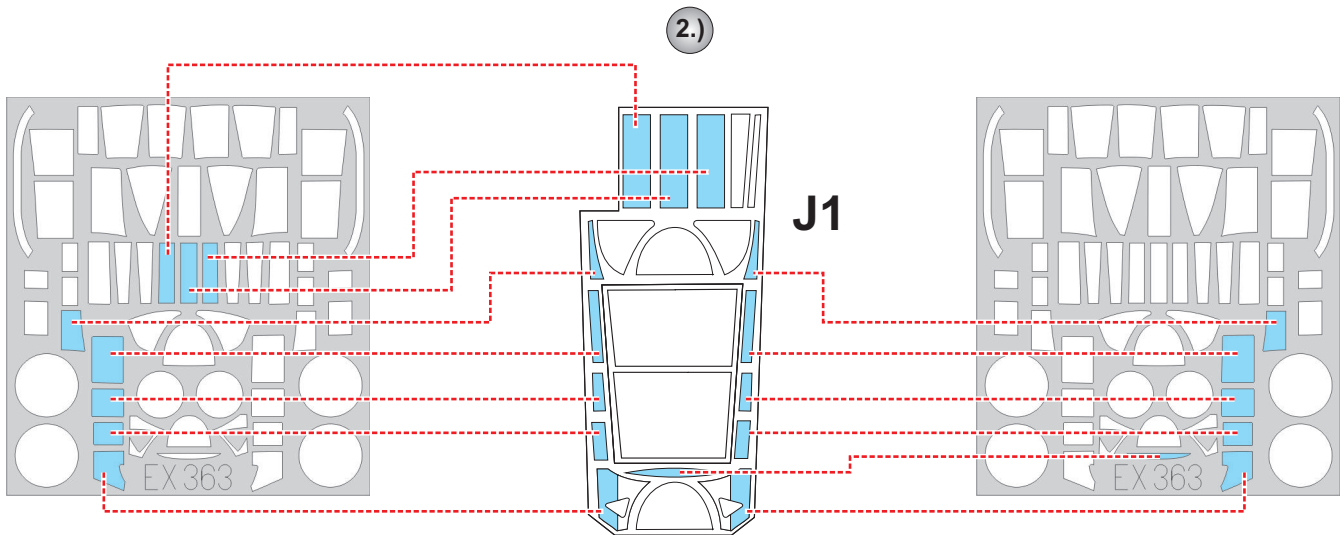
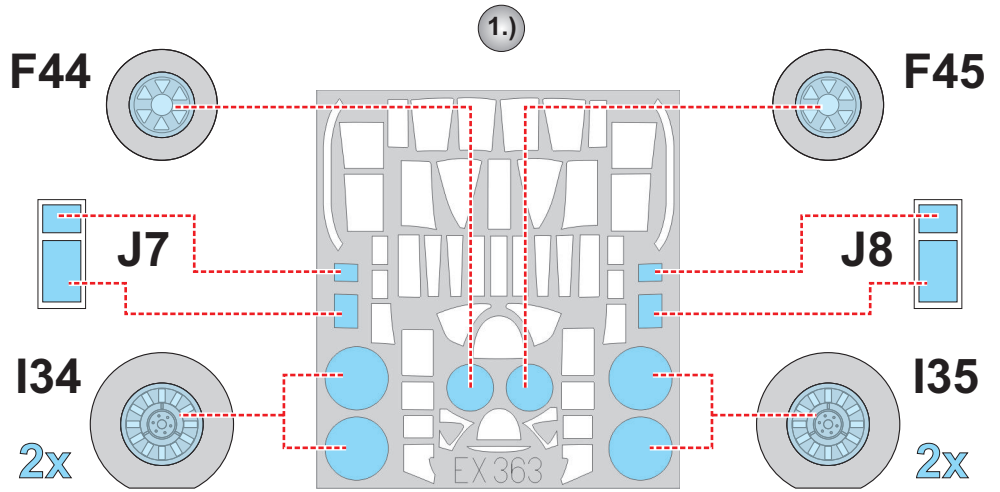
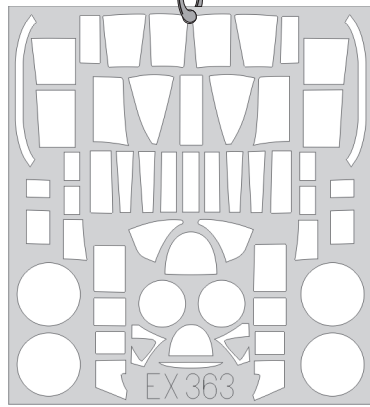


eduard  
MASK

EX 363

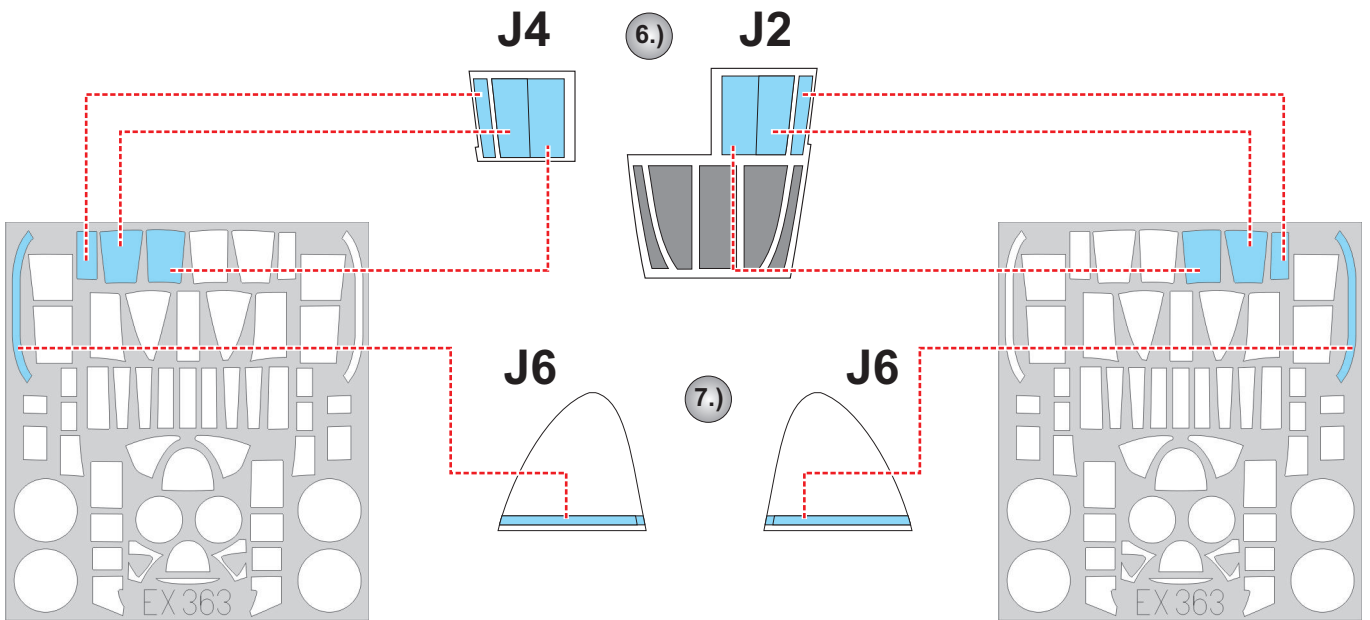
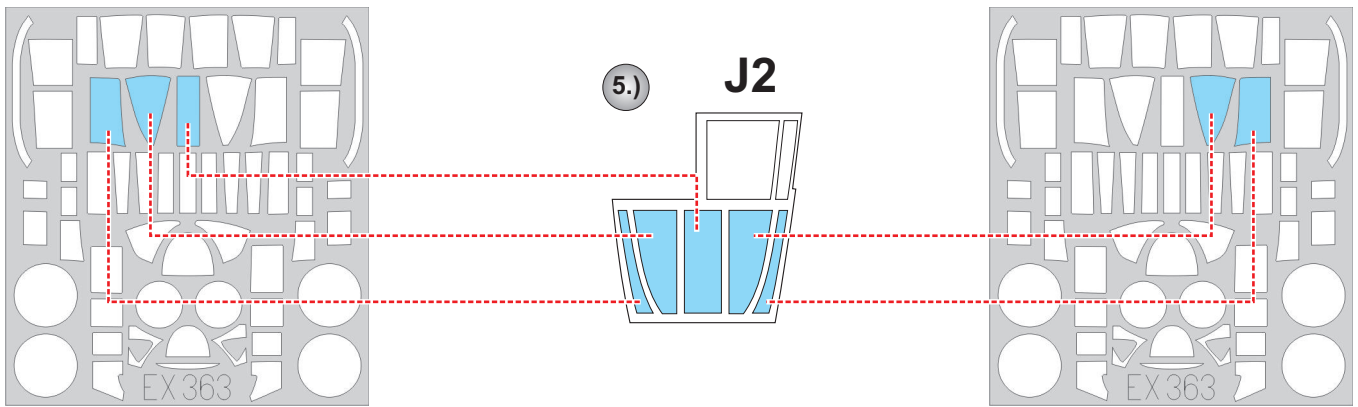
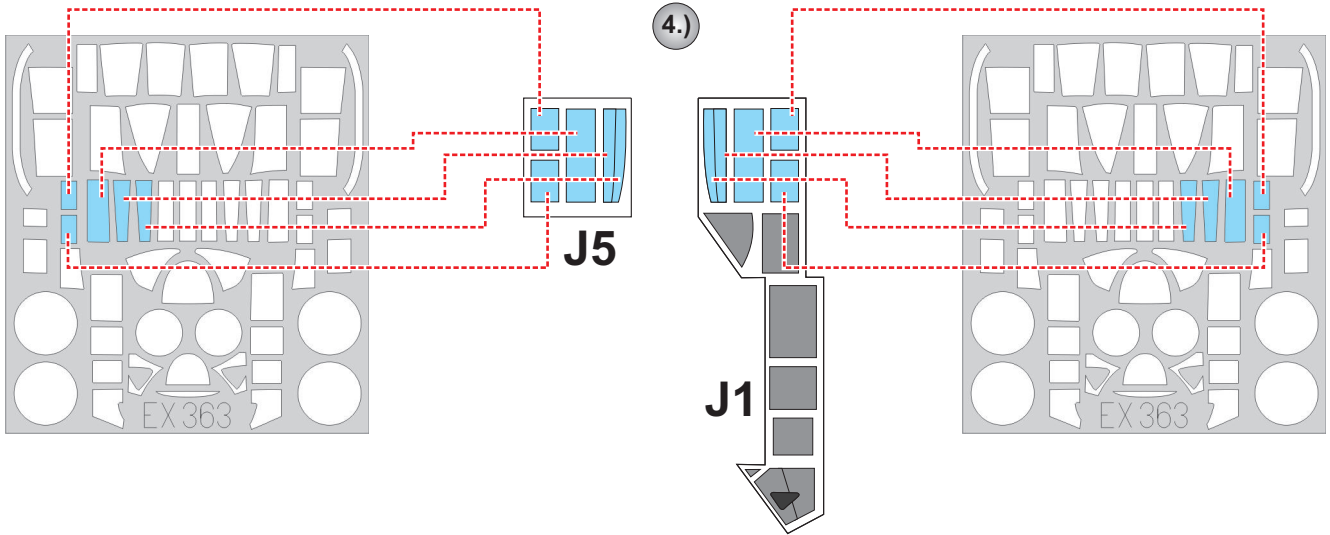
# P-61A with gun turret 1/48

The die-cut mask for accurate canopy frame painting of the  
*Great Wall Hobby kit L-4806 scale 1/48 KIT*



LIQUID MASK





8.)

LIQUID MASK ■

