



GERMAN HEAVY TANK Sd.Kfz.181

Tiger I Late Production

德国重型坦克“虎I”后期型



1/35 SCALE
RM-5015

Assembly Icon



OPTIONAL
选择



CEMENT
膠水



DO NOT CEMENT
不使用膠水



INSTANT CEMENT
瞬間接著劑



BEND
彎折



MAKE 2pcs
製作2組



OPEN HOLE
鑽孔



REMOVE
切除



BE CAREFUL
注意



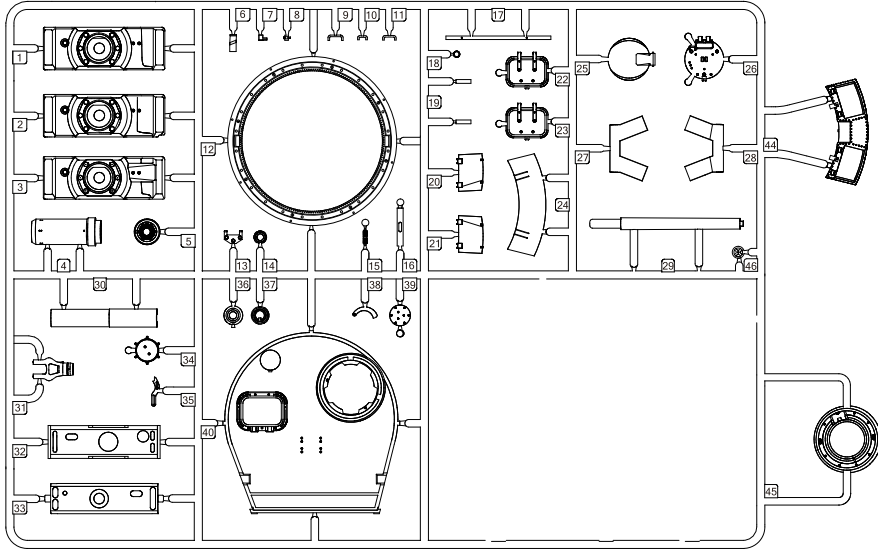
APPLY DECAL
貼上水貼紙



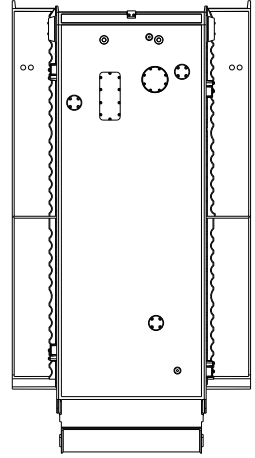
Read carefully and fully understand the instructions before commencing assembly.
Supervising adult should also read the instructions if a child assembles the model.
When you used glue or paint, do not use near a naked flame, and use in a well-ventilated room.
When assembling this kit, tools including knives are used. Extra care should be taken to avoid personal injury.
Read and follow the instructions supplied with paints and/ or cement. Use plastic cement and paints only.
Keep out of reach of small children. Children must not be allowed to suck any part, or pull vinyl bag over the head.

在裝配前仔細閱讀說明並完全理解。小孩裝配時需成人看護且需仔細閱讀說明。
使用膠水和油漆時，應遠離火源並打開窗戶保持空氣流通。
製作時請格外注意工具刀和零件的鋒利尖銳部分，避免對身體造成傷害。
在使用膠水和油漆前仔細閱讀注意事項，按照說明正確使用膠水和油漆。
請將本品放在兒童接觸不到的地方，套件中的塑膠包裝袋會對兒童造成窒息的危險。

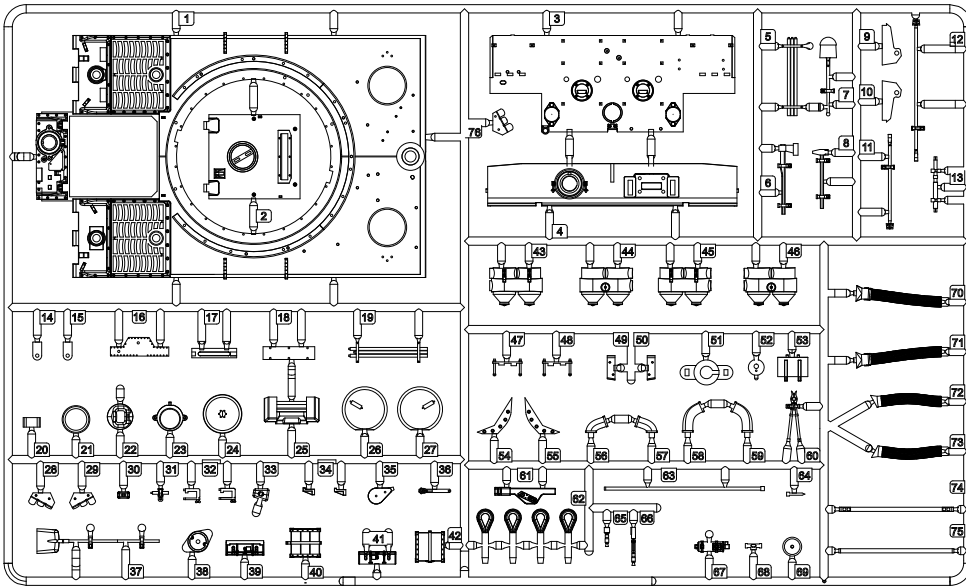
A



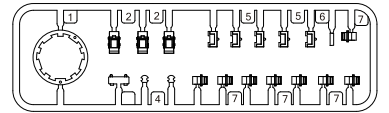
Lower Hull



B



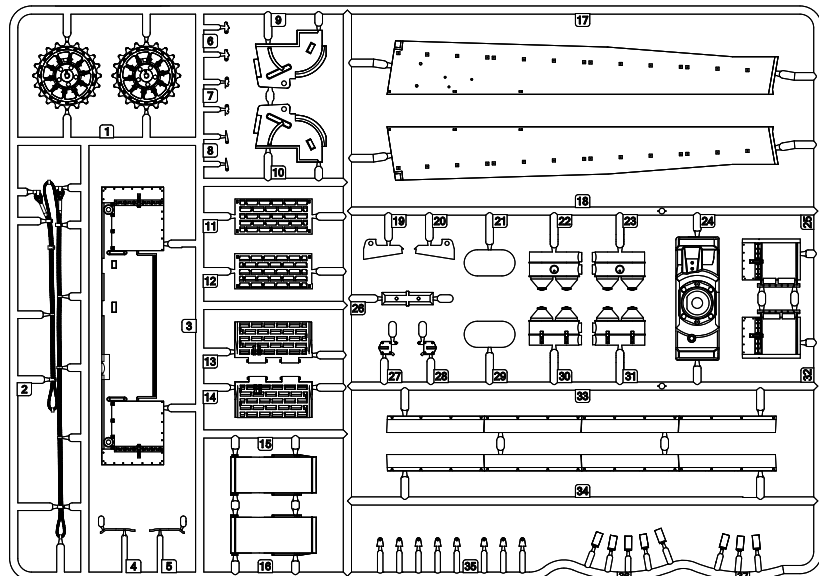
T



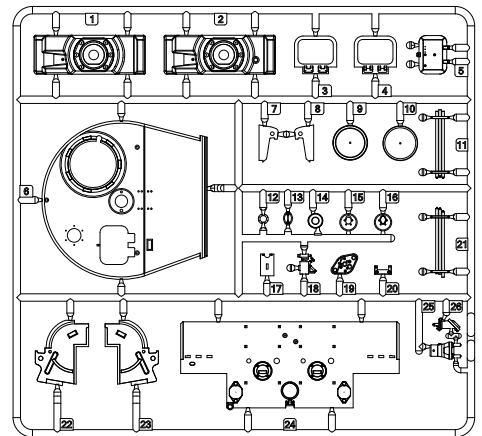
Track x192



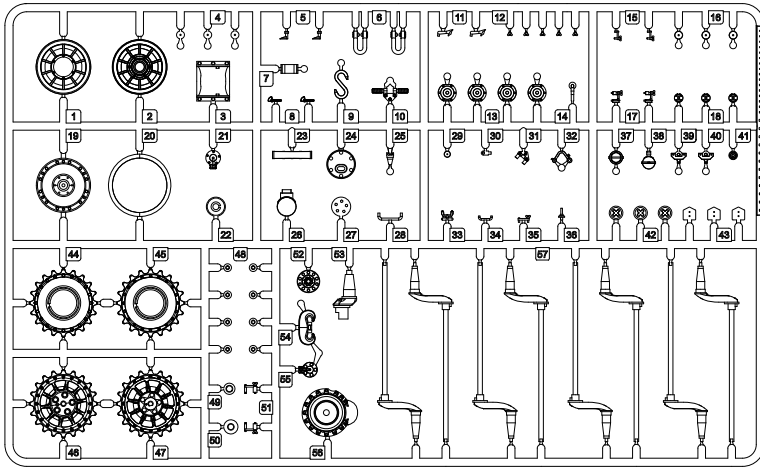
F



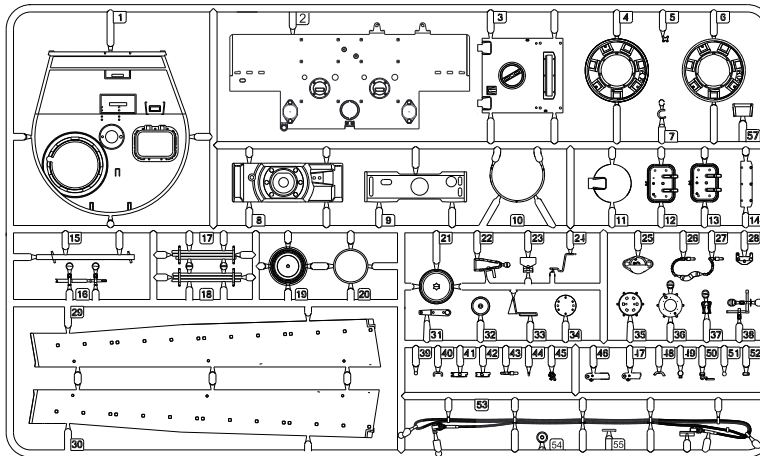
P



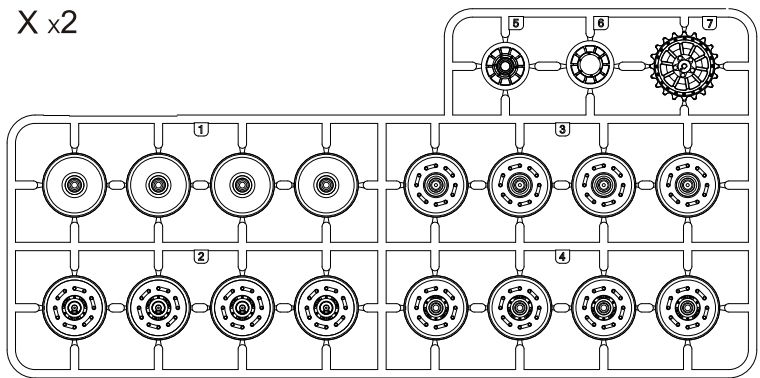
D x2



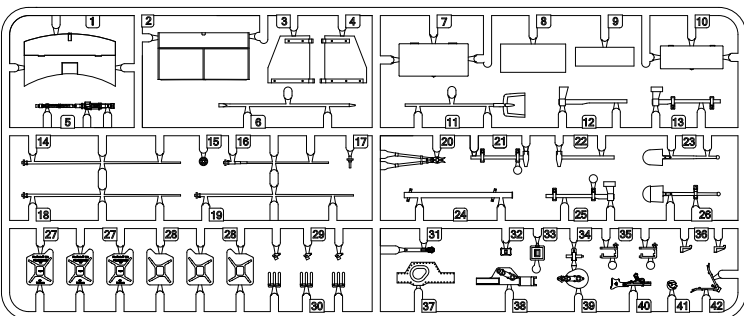
Z



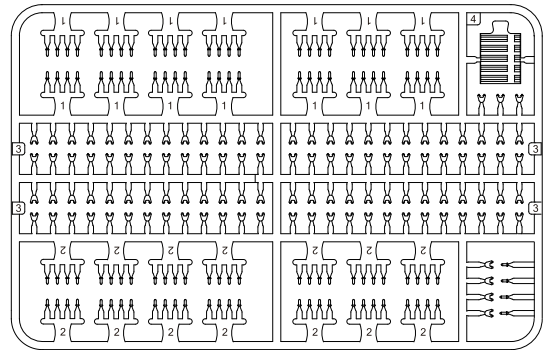
X x2



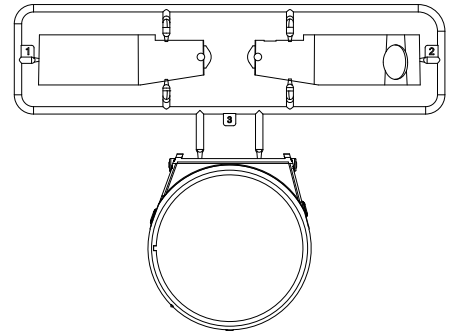
O



N x4



S

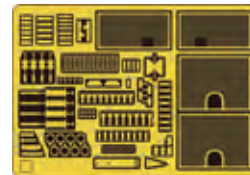


Metal Cable 40mm
金属缆绳

Decal / 水贴



PE-Y



PE-Z



Zimmerit Coating Applicator
防磁装甲制作工具





TIGER I Late Production

Painting and Marking Guide

www.migjimenez.com



 A.MIG 002 Olivgrün Opt.2	 A.MIG 010 Dunkelgelb Mid War	 A.MIG 015 Schokobraun
 A.MIG 035 Dark Tracks	 A.MIG 036 Old Wood	 A.MIG 038 Light Wood
 A.MIG 045 Gun Metal	 A.MIG 096 Crystal Periscope Green	

s. Pz.Abt.101, Normandy 1944



WEATHERING STEPS WITH AMMO PRODUCTS

- | | | | |
|--|--|---|--|
| 1 GENERAL WASH
A.MIG-1000 Brown Wash for German Yellow | 3 STREAKING
A.MIG-1203 Streaking Grime | 5 TRACK WASH
A.MIG-1002 Tracks Wash | 7 MUO
A.MIG-3007 Dark Earth
A.MIG-1752 Loose Ground |
| 2 FILTER
A.MIG-1510 Tone for 3 tone camo | 4 RUST
A.MIG-3510 Rust | 6 DUST
A.MIG-3013 Rubbel | |



TIGER I Late Production

Painting and Marking Guide

www.migjimenez.com



 A.MIG 002 Olivgrün Opt.2	 A.MIG 010 Dunkelgelb Mid War	 A.MIG 015 Schokobraun
 A.MIG 035 Dark Tracks	 A.MIG 036 Old Wood	 A.MIG 038 Light Wood
 A.MIG 045 Gun Metal	 A.MIG 096 Crystal Periscope Green	

2./ schwere ss-Panzerabteilung 101, No.221
June 1944 Normandy



WEATHERING STEPS WITH AMMO PRODUCTS

- | | | | |
|--|--|---|--|
| 1 GENERAL WASH
A.MIG-1000 Brown Wash for German Yellow | 3 STREAKING
A.MIG-1203 Streaking Grime | 5 TRACK WASH
A.MIG-1002 Tracks Wash | 7 MUD
A.MIG-3007 Dark Earth
A.MIG-1752 Loose Ground |
| 2 FILTER
A.MIG-1510 Tone for 3 tone camo | 4 RUST
A.MIG-3510 Rust | 6 DUST
A.MIG-3013 Rubbel | |



TIGER I Late Production

Painting and Marking Guide

www.migjimenez.com



A.MIG 002 Olivgrün Opt.2	A.MIG 010 Dunkelgelb Mid War	A.MIG 015 Schokobraun
A.MIG 035 Dark Tracks	A.MIG 036 Old Wood	A.MIG 038 Light Wood
A.MIG 045 Gun Metal	A.MIG 096 Crystal Periscope Green	

3./ schwere Panzerabteilung 505, No.312
 Early summer of 1944 Eastern Front/ Kowel sector



WEATHERING STEPS WITH AMMO PRODUCTS

- | | | | |
|--|--|---|--|
| 1 GENERAL WASH
A.MIG-1000 Brown Wash for German Yellow | 3 STREAKING
A.MIG-1203 Streaking Grime | 5 TRACK WASH
A.MIG-1002 Tracks Wash | 7 MUD
A.MIG-3007 Dark Earth
A.MIG-1752 Loose Ground |
| 2 FILTER
A.MIG-1510 Tone for 3 tone camo | 4 RUST
A.MIG-3510 Rust | 6 DUST
A.MIG-3013 Rubbel | |



TIGER I Late Production

Painting and Marking Guide

www.migjimenez.com



 A.MIG 002 Olivgrün Opt.2	 A.MIG 010 Dunkelgelb Mid War	 A.MIG 015 Schokobraun
 A.MIG 035 Dark Tracks	 A.MIG 036 Old Wood	 A.MIG 038 Light Wood
 A.MIG 045 Gun Metal	 A.MIG 096 Crystal Periscope Green	

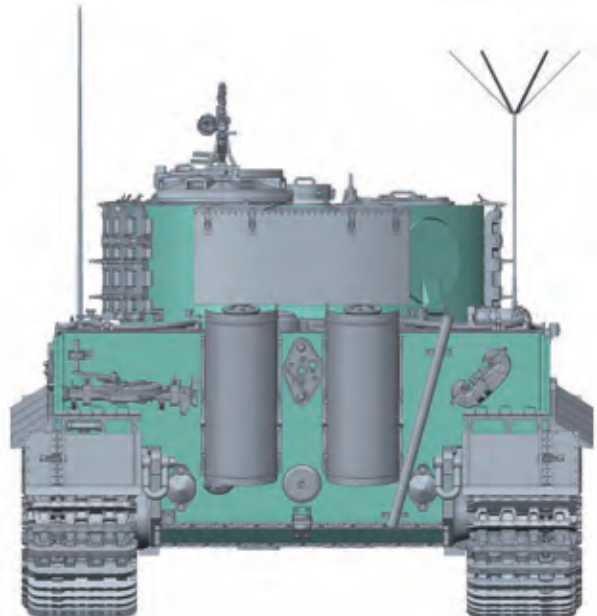
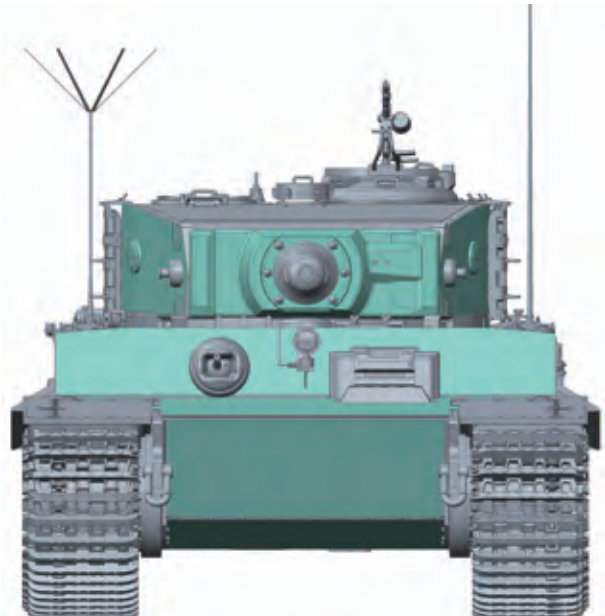
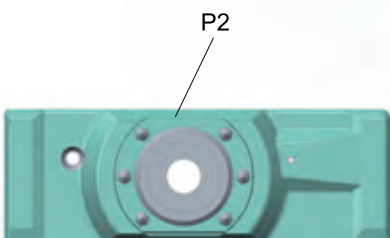
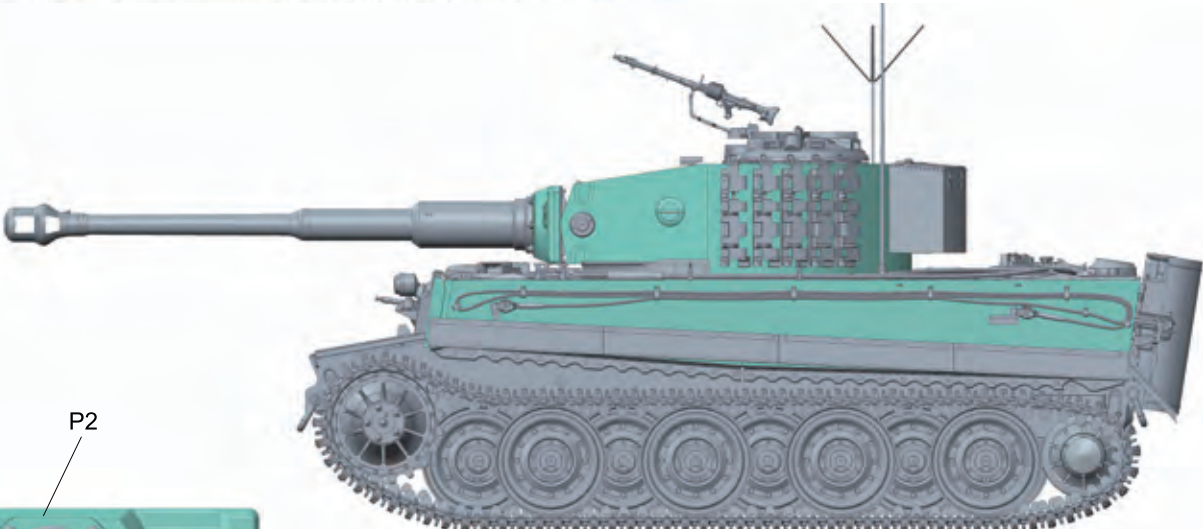
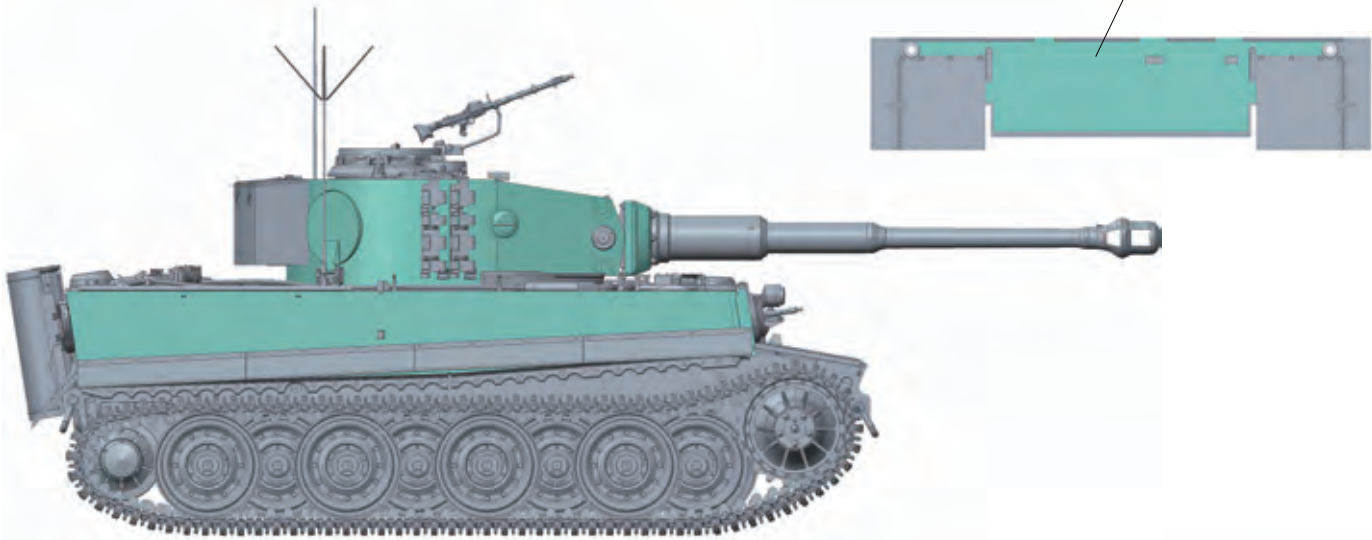
1./ schwere Panzerabteilung 506, No.1
Early spring of 1944 Eastern Front



WEATHERING STEPS WITH AMMO PRODUCTS

- | | | | |
|--|--|---|--|
| 1 GENERAL WASH
A.MIG-1000 Brown Wash for German Yellow | 3 STREAKING
A.MIG-1203 Streaking Grime | 5 TRACK WASH
A.MIG-1002 Tracks Wash | 7 MUD
A.MIG-3007 Dark Earth
A.MIG-1752 Loose Ground |
| 2 FILTER
A.MIG-1510 Tone for 3 tone camo | 4 RUST
A.MIG-3510 Rust | 6 DUST
A.MIG-3013 Rubbel | |

Sketch map for making the zimmerit / 用于制作防磁的示意图



The kit can be selected for No.007 Wittmann command Tiger or standard late Tiger I tank.

The black lines in the instruction stand for No.007 Wittmann command Tiger I tank and the universal parts, **the green lines for standard later version use only**. Please carefully read the instructions before assembly and confirm the version want to build.

Thank you very much for choosing Rye Field's model kit and wish all of you have a pleasant experience during building the model kit!

If you have any questions or need any help, please feel free to contact us.

本套材可以选装No.007魏特曼指挥型或标准后期型虎I坦克。

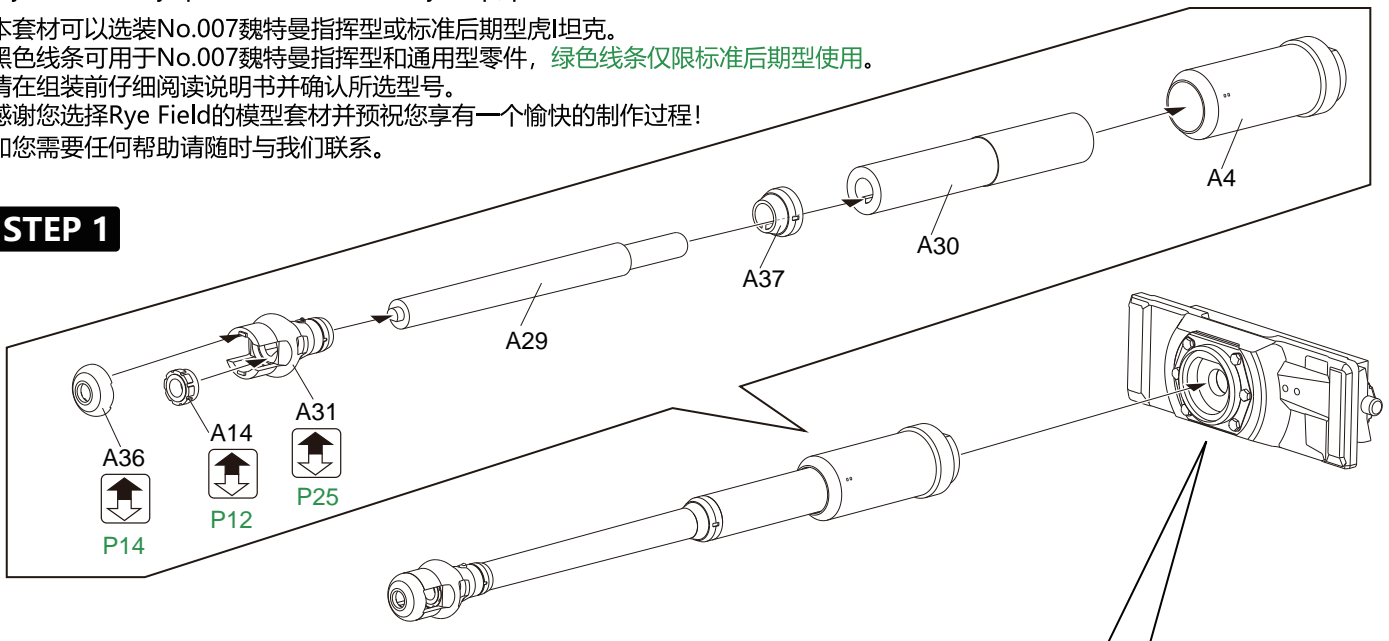
黑色线条可用于No.007魏特曼指挥型和通用型零件，**绿色线条仅限标准后期型使用**。

请在组装前仔细阅读说明书并确认所选型号。

感谢您选择Rye Field的模型套材并预祝您享有一个愉快的制作过程！

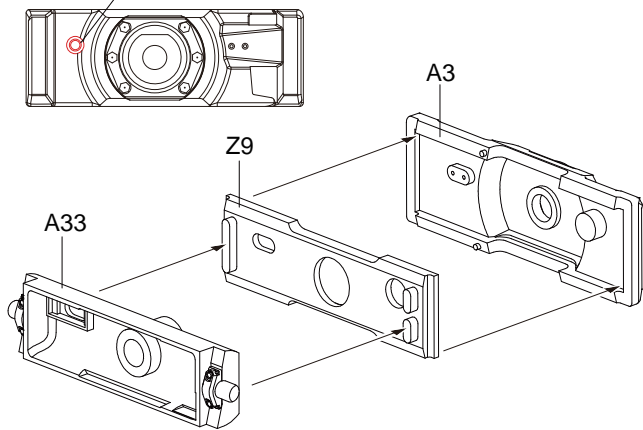
如您需要任何帮助请随时与我们联系。

STEP 1

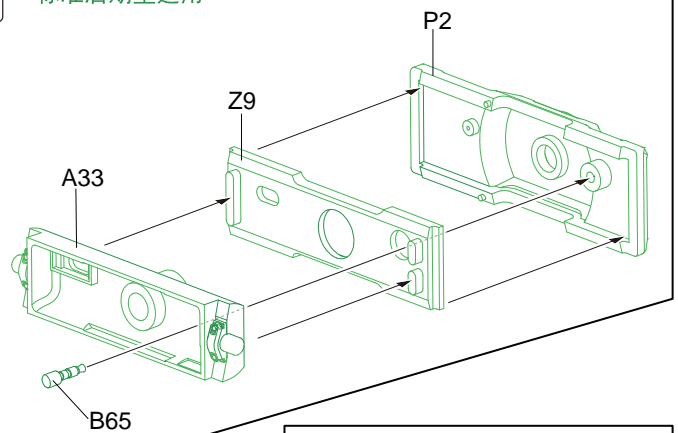


For No.007 Vehicle Use Only
No. 007号车辆适用

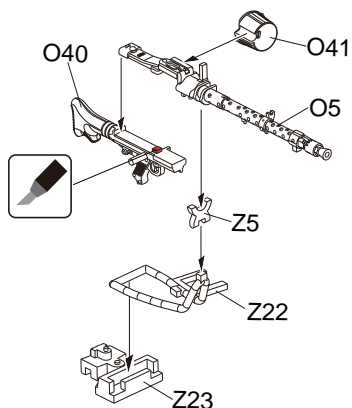
Fill The Hole
将孔填平



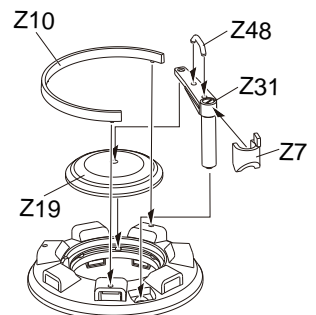
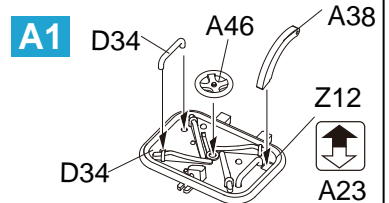
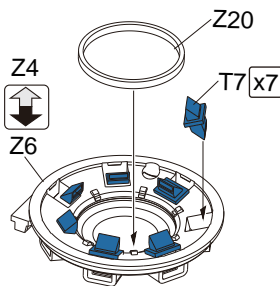
For Standard Late Production Use Only
标准后期型适用



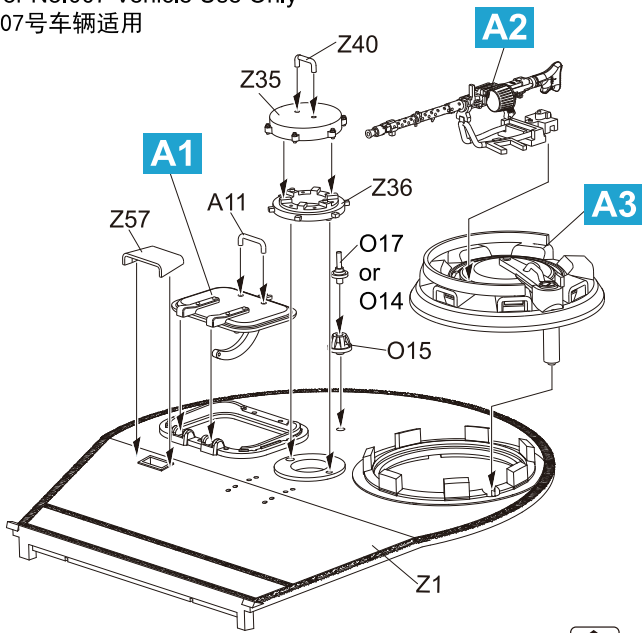
A2



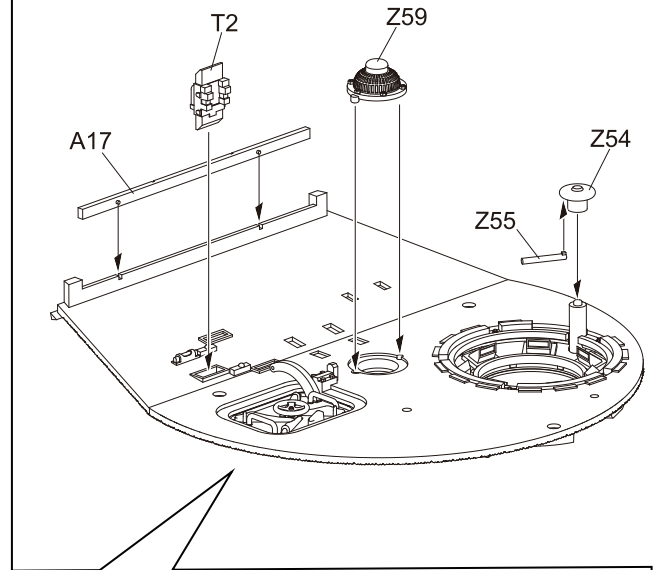
A3



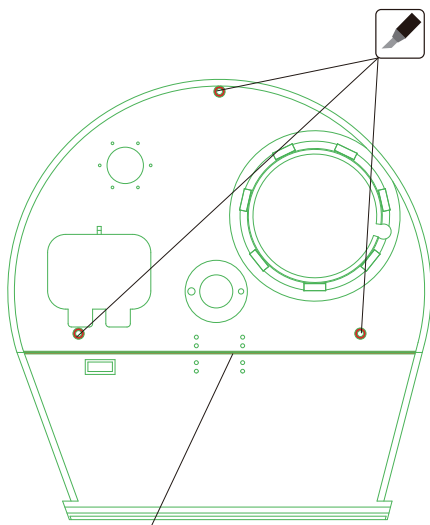
For No.007 Vehicle Use Only
007号车辆适用



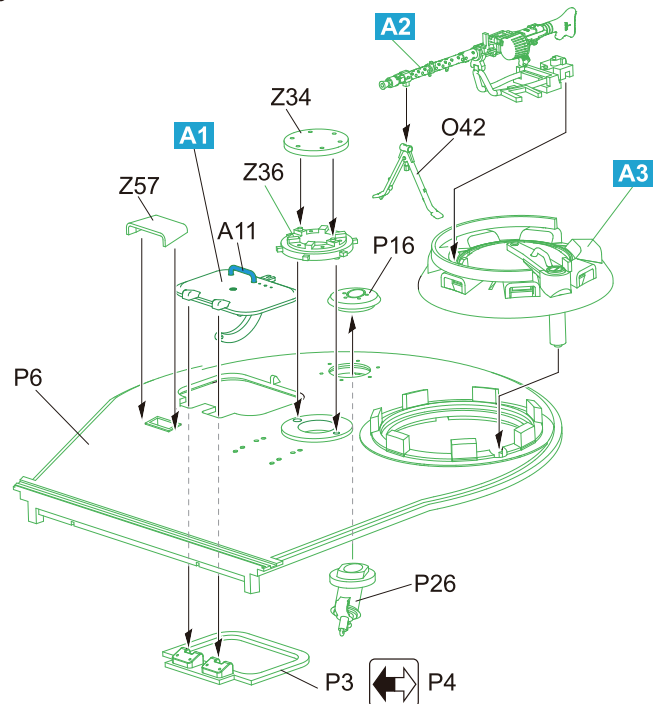
STEP 2



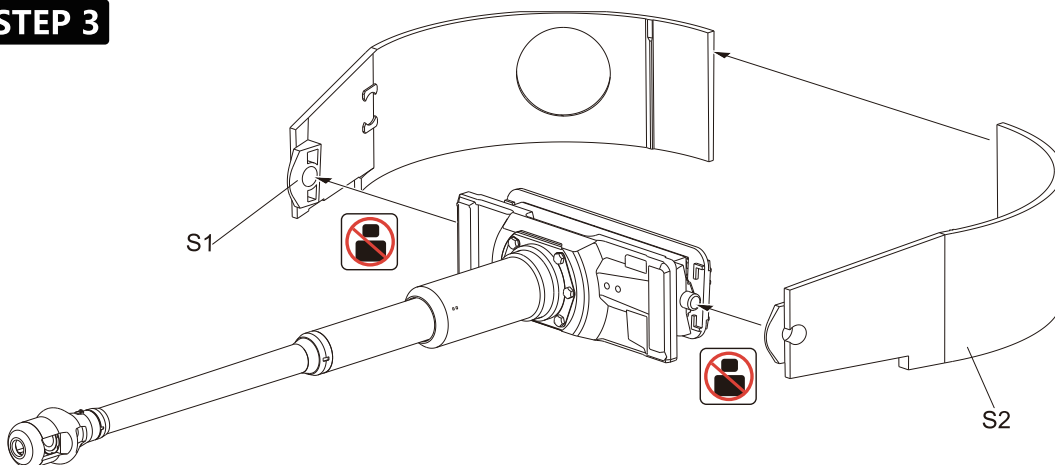
For Standard Late Production Use Only
标准后期型适用



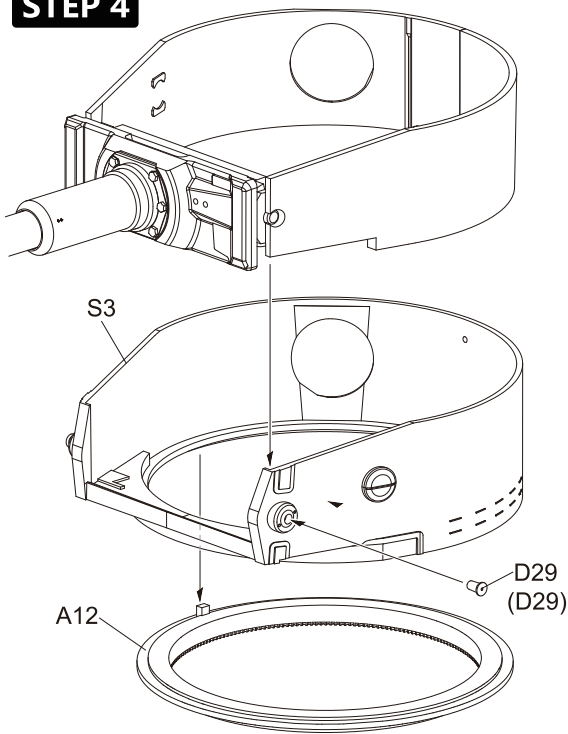
Fill The Notch
填平凹槽



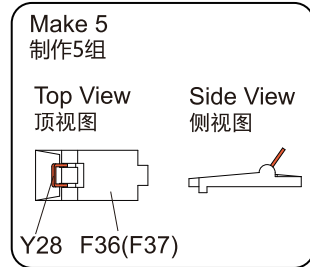
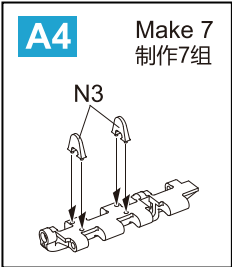
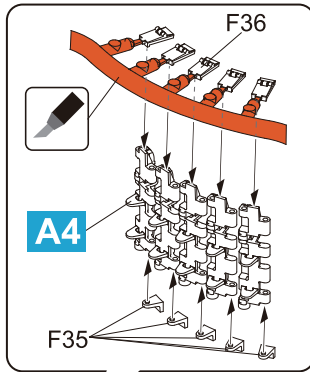
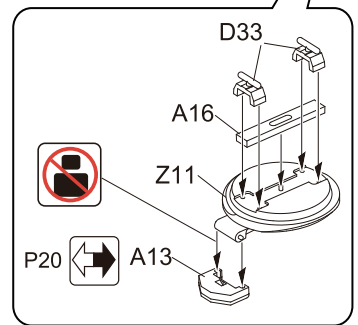
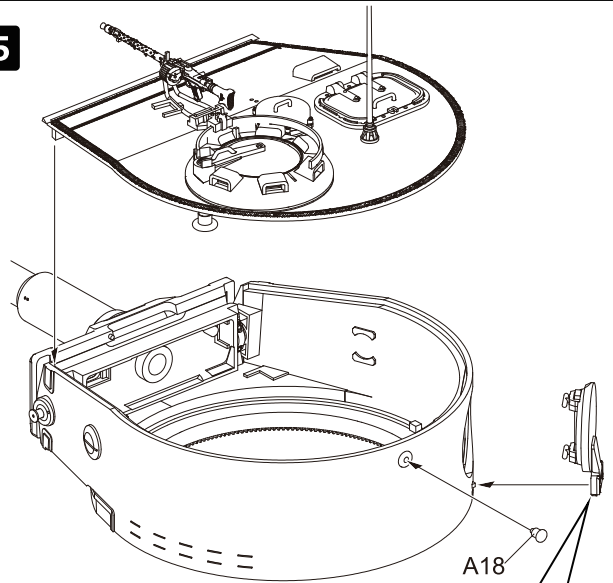
STEP 3



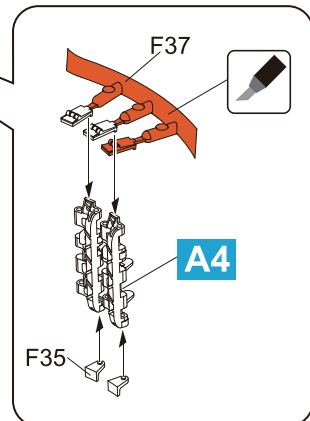
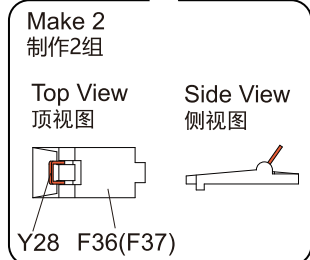
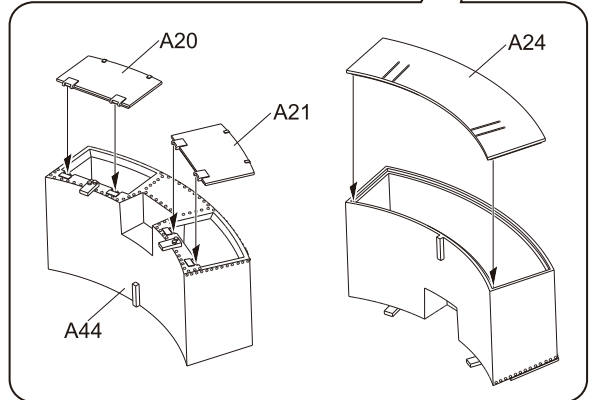
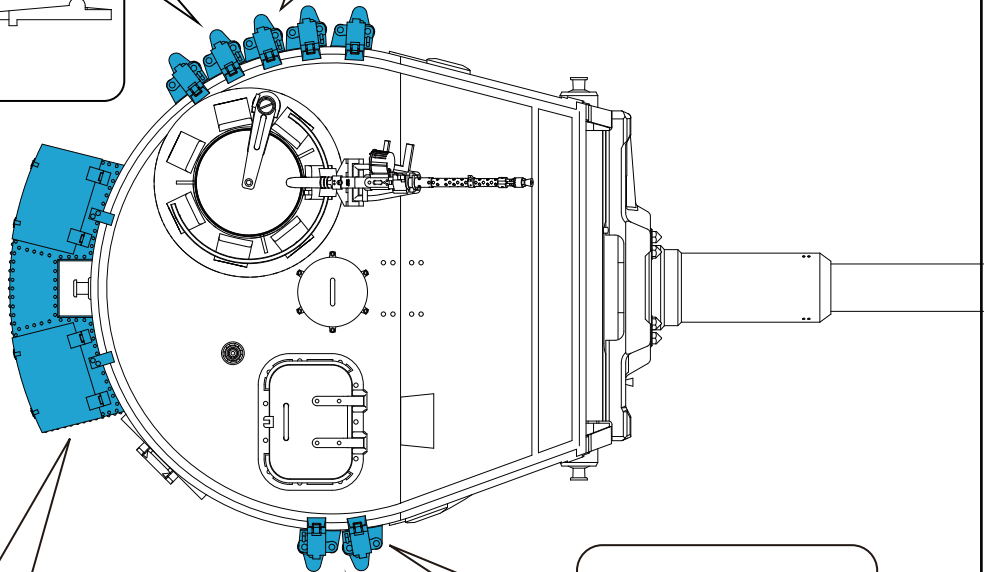
STEP 4

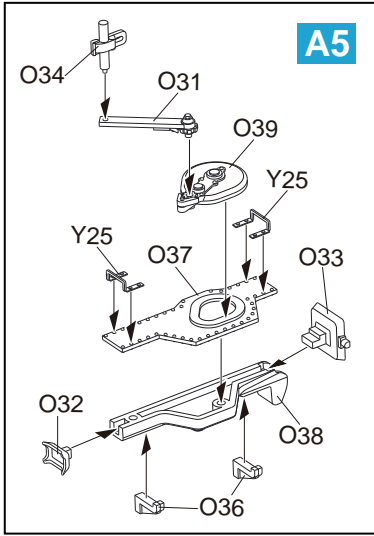


STEP 5

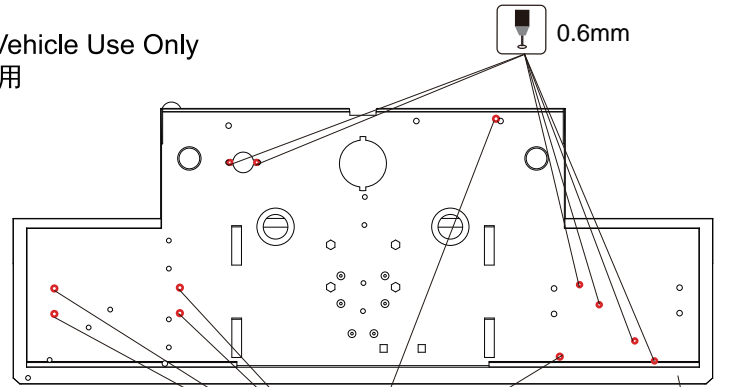


STEP 6

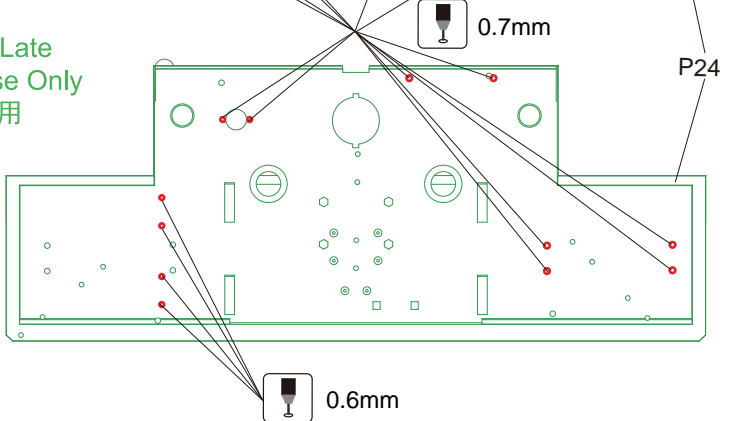




For No.007 Vehicle Use Only
007号车辆适用



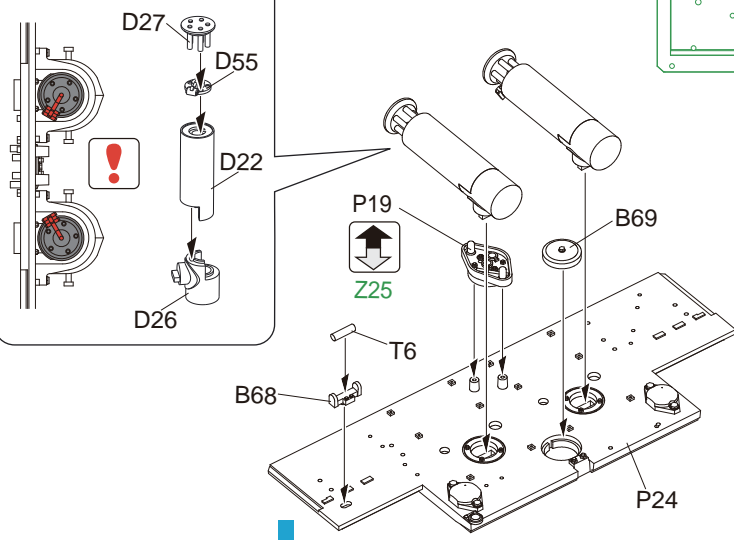
For Standard Late
Production Use Only
标准后期型适用



Top View
顶视图

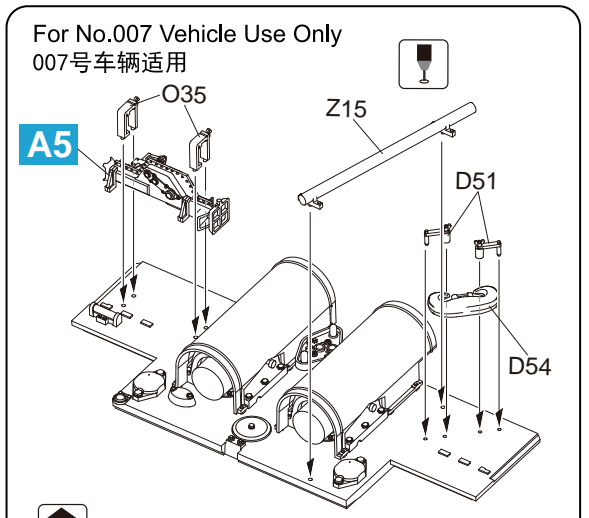
Make 2
制作2组

STEP 7

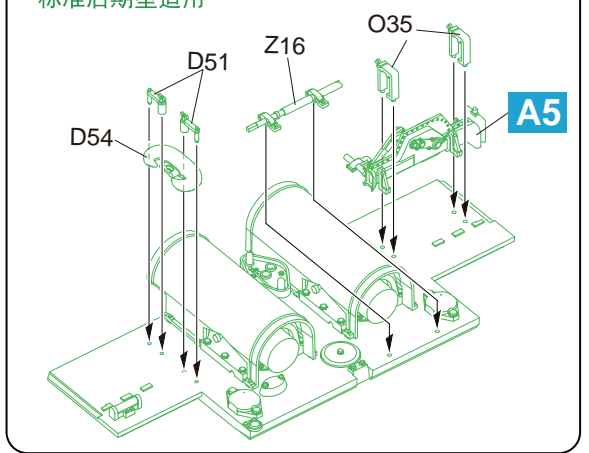


For No.007 Vehicle Use Only
007号车辆适用

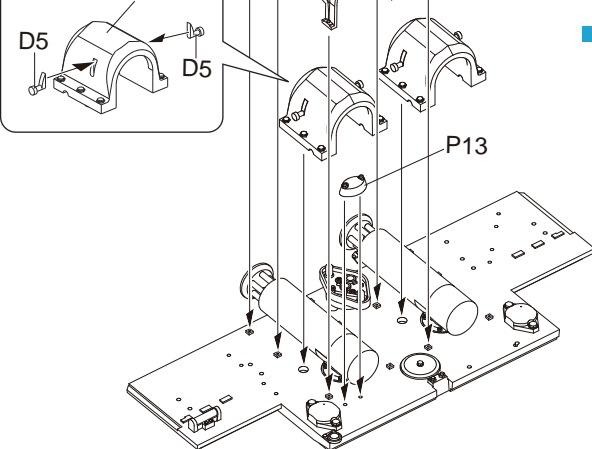
A5



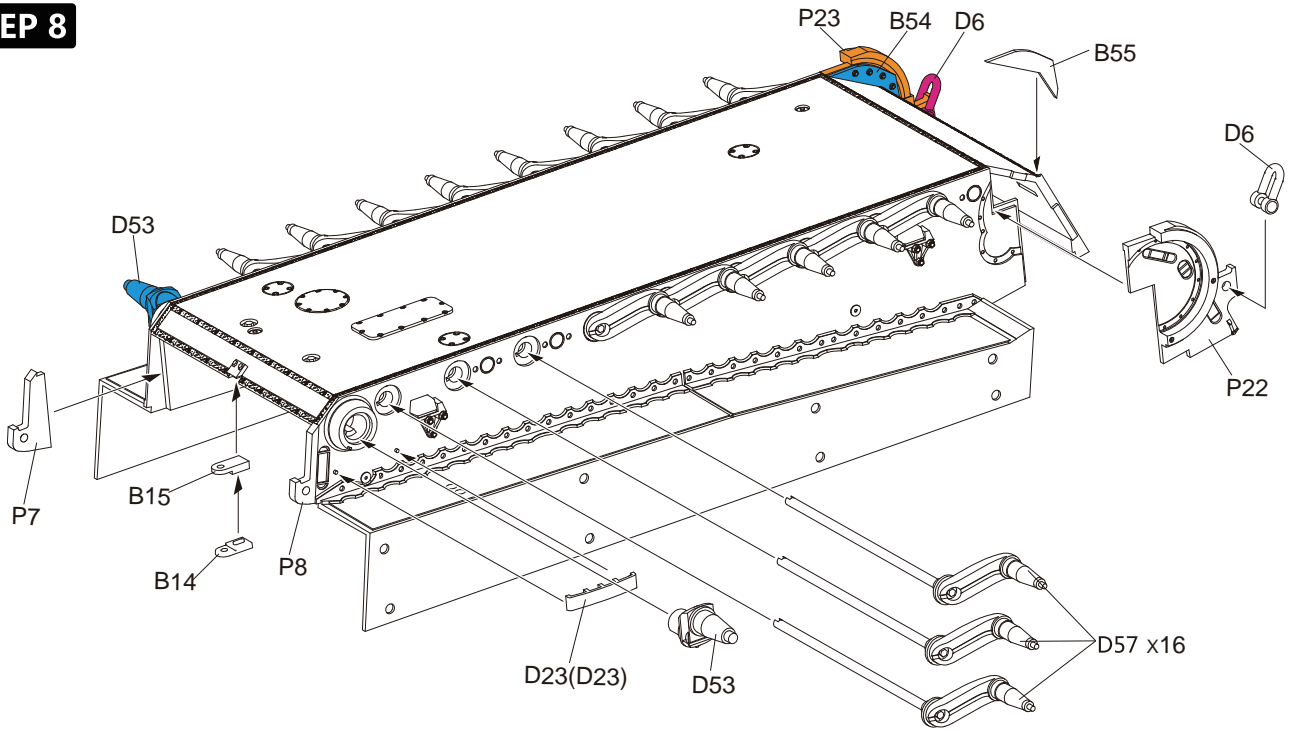
For Standard Late Production Use Only
标准后期型适用



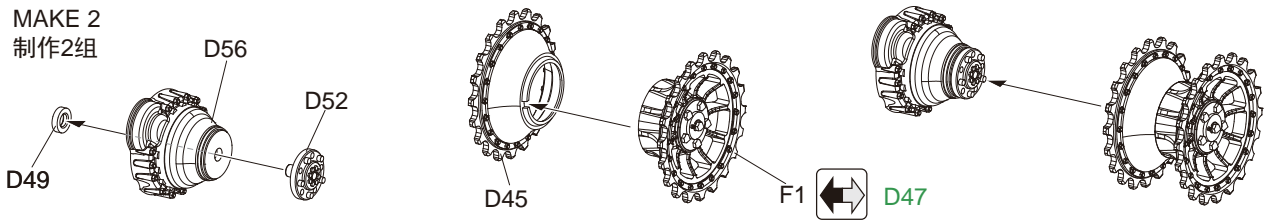
Make 2
制作2组



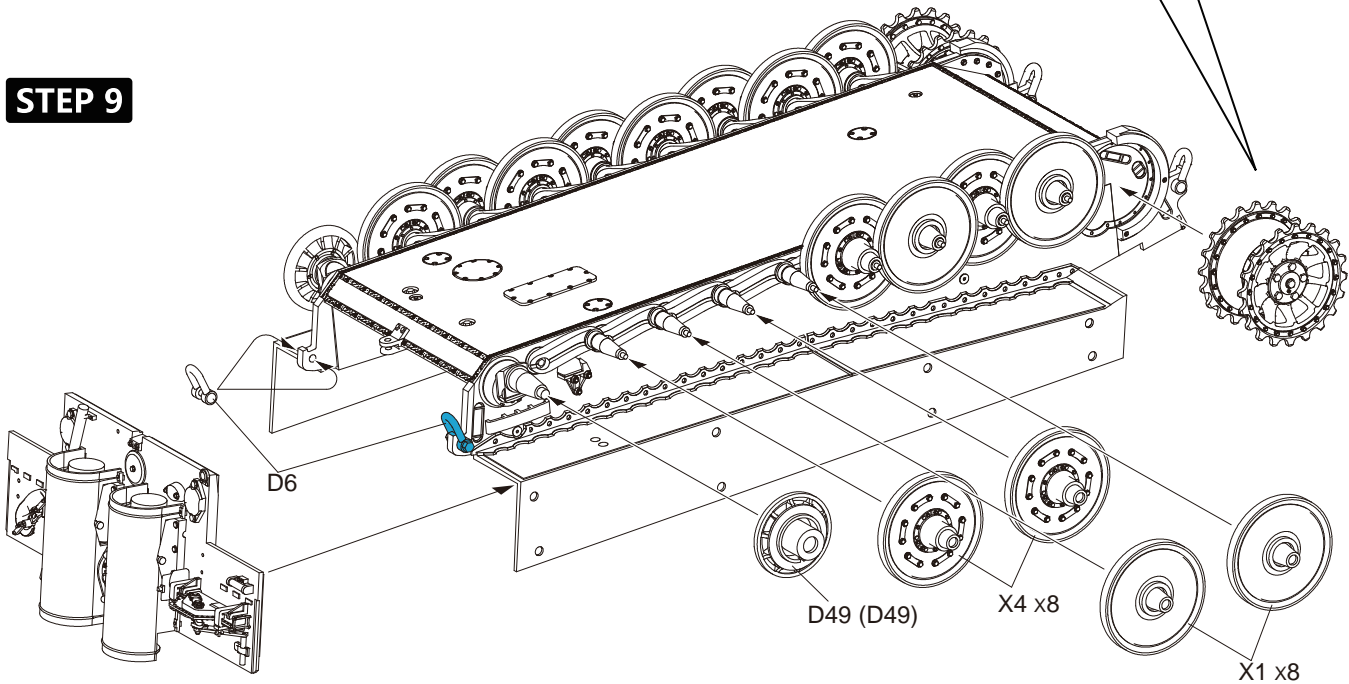
STEP 8



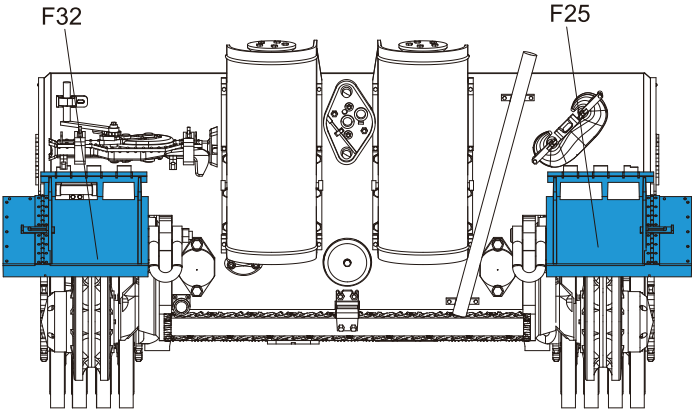
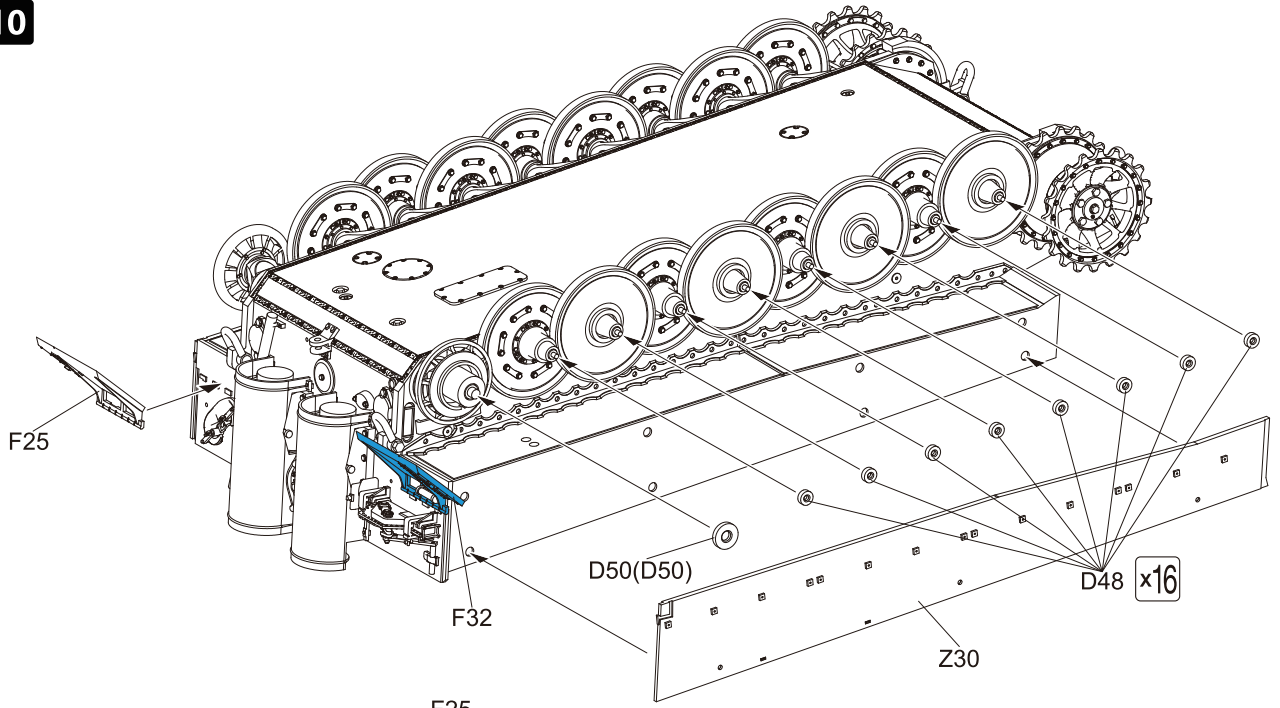
MAKE 2
制作2组



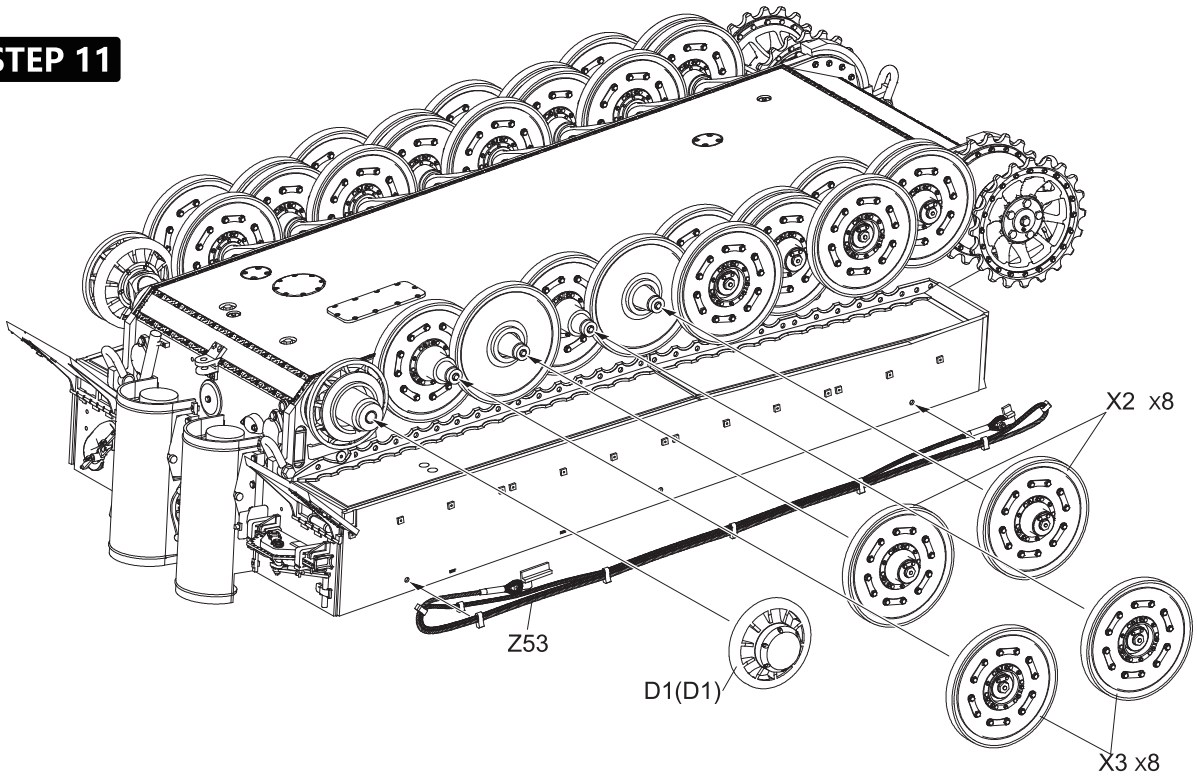
STEP 9



STEP 10

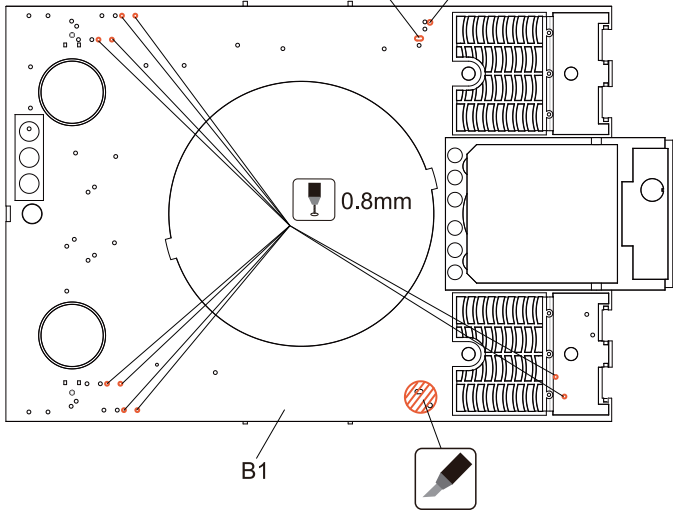


STEP 11

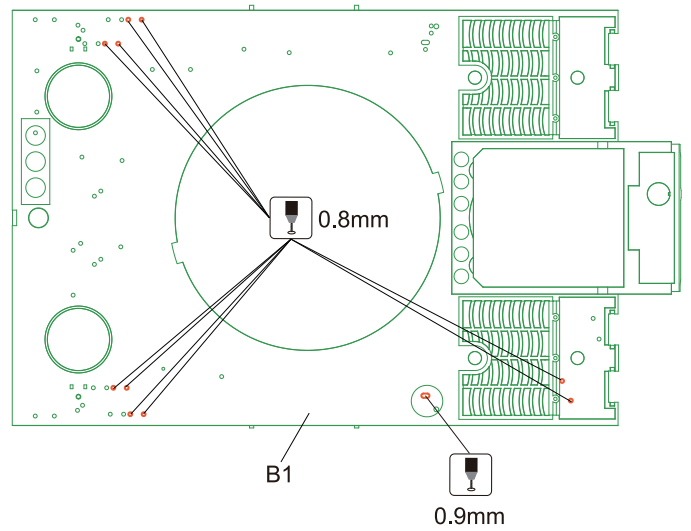


For No.007 Vehicle Use Only
007号车辆适用

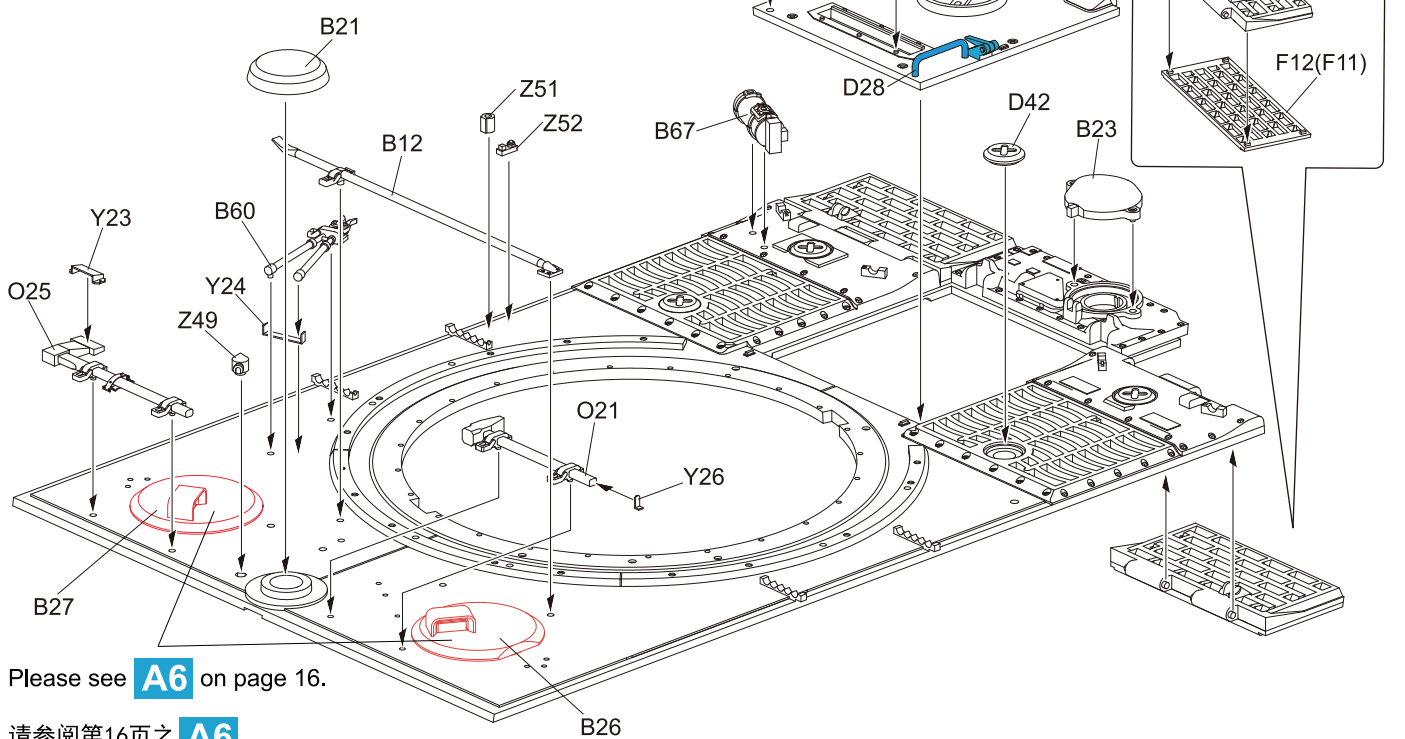
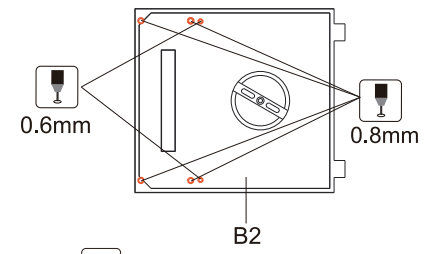
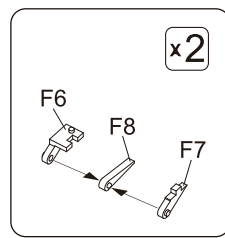
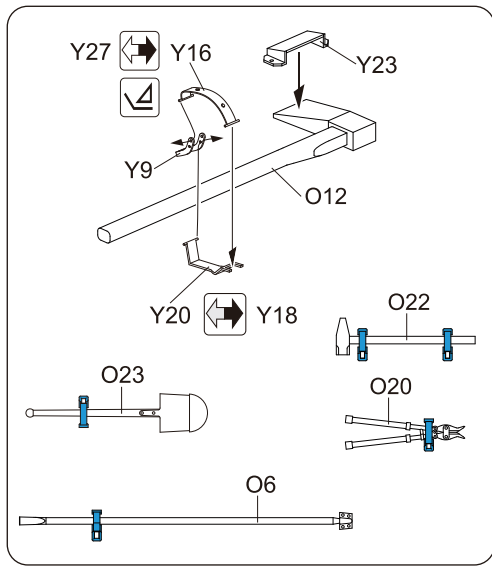
0.9mm 1.0mm



For Standard Late Production Use Only
标准后期型适用



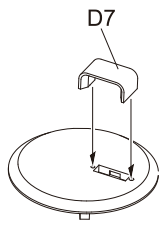
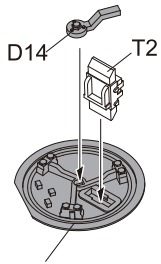
STEP 12



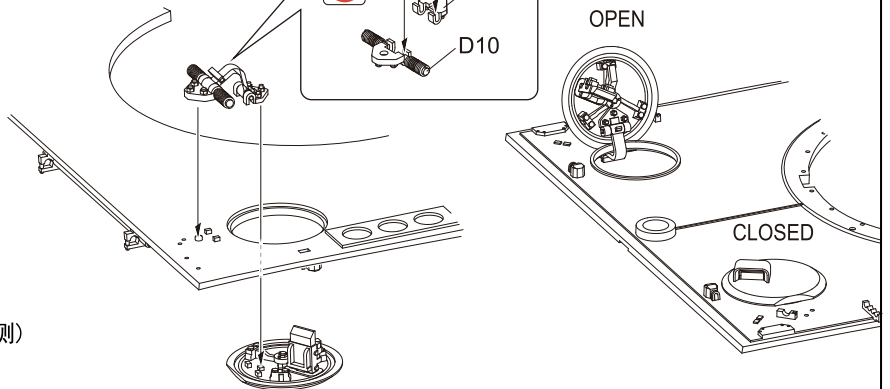
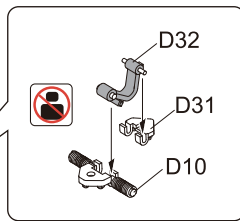
Please see **A6** on page 16.

请参阅第16页之 **A6**

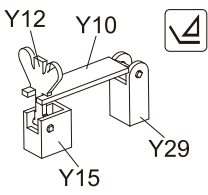
A6 Make 2
制作2组



B26 for left side of vehicle / 在车辆的左侧
(B27 for right side of vehicle / 在车辆的右侧)

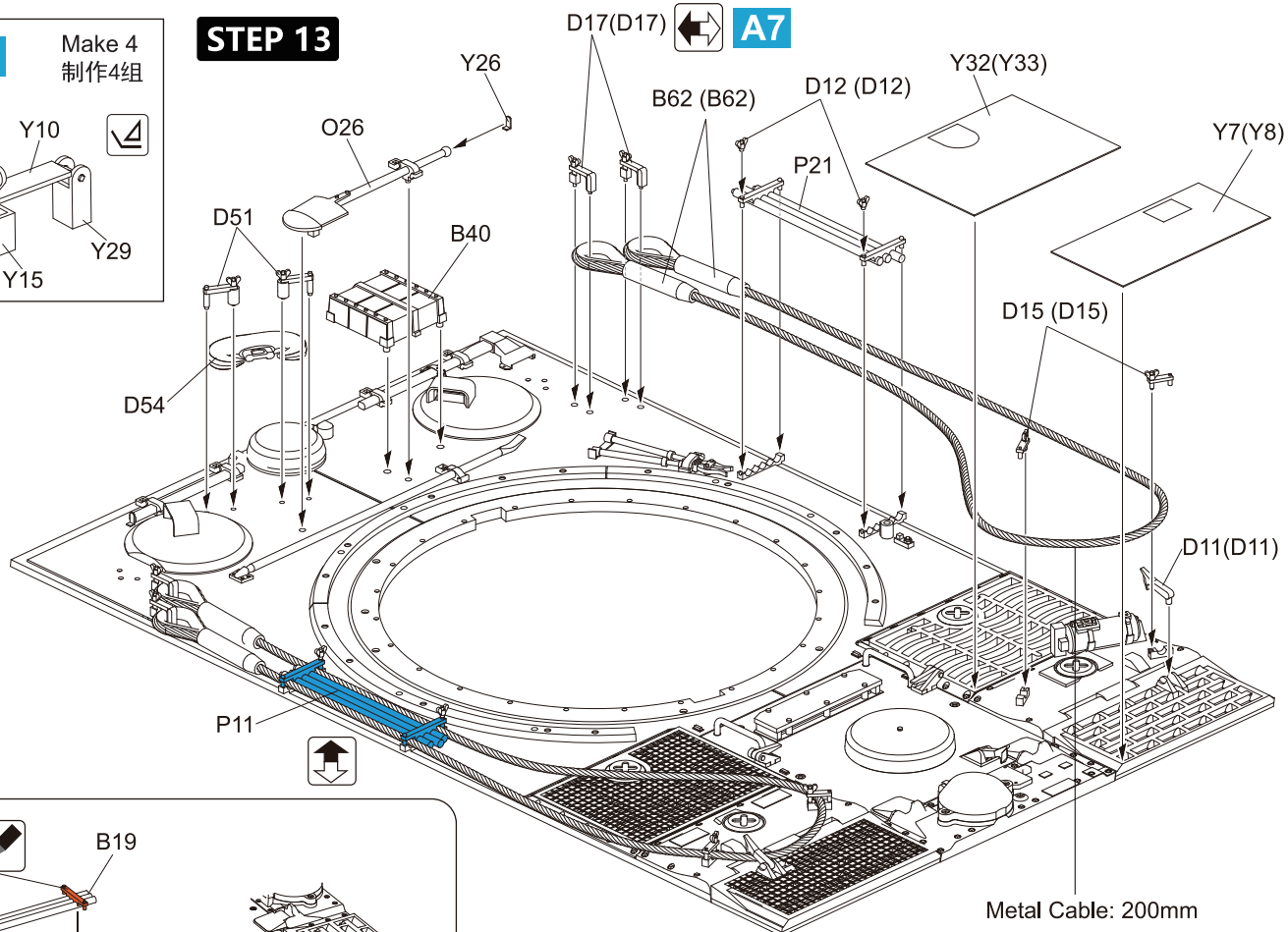


A7 Make 4
制作4组

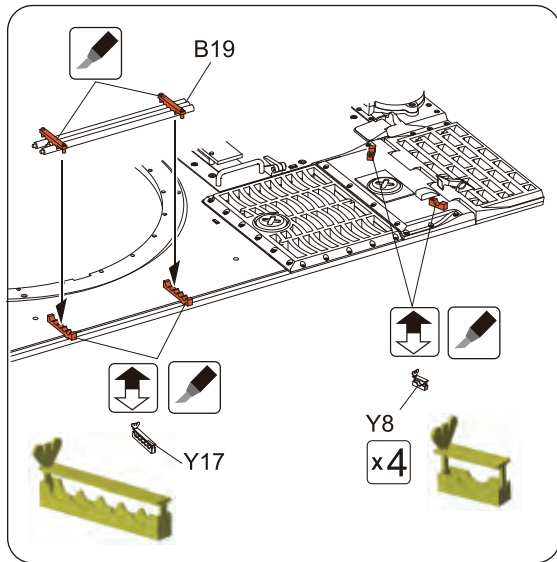


STEP 13

A7

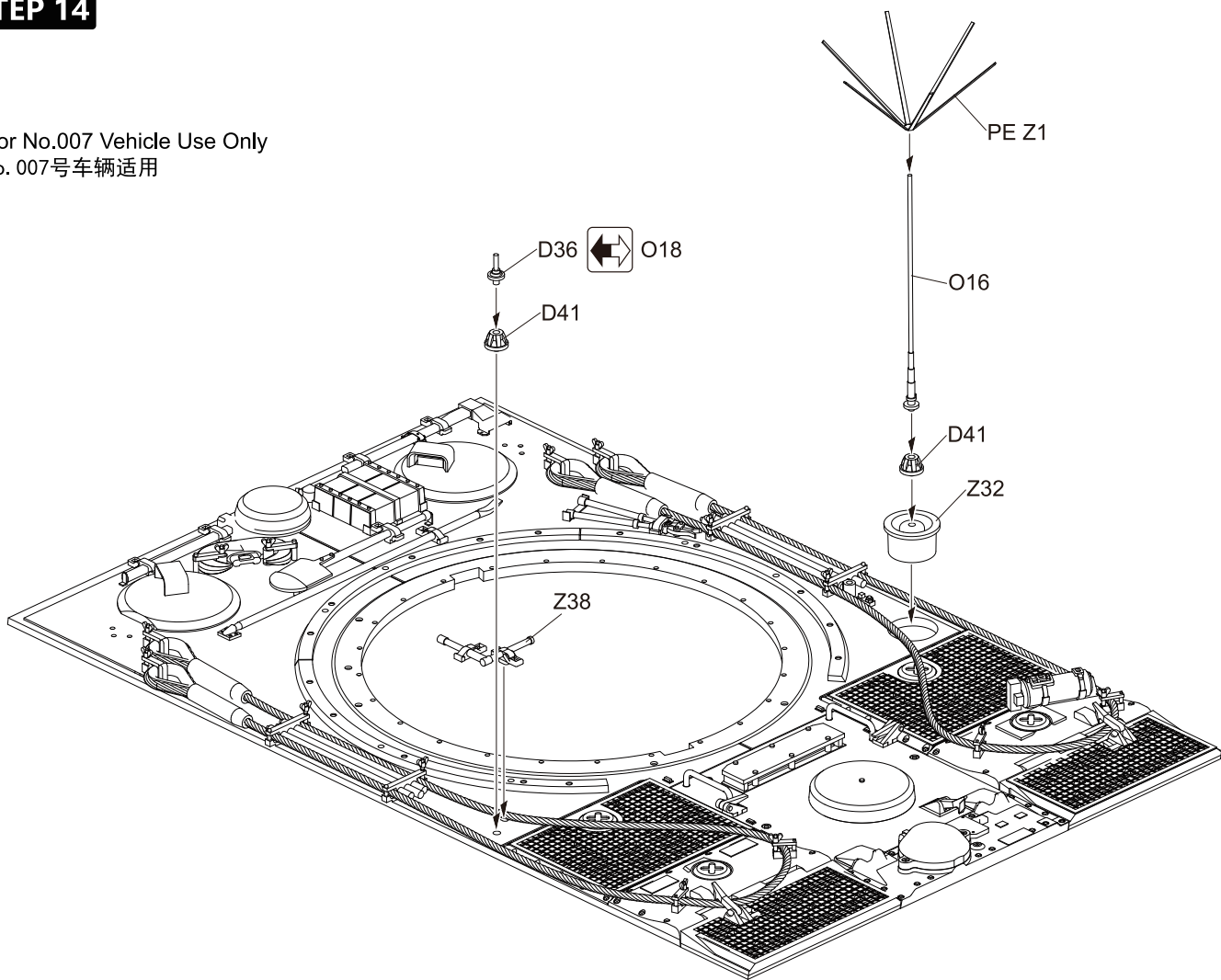


Metal Cable: 200mm

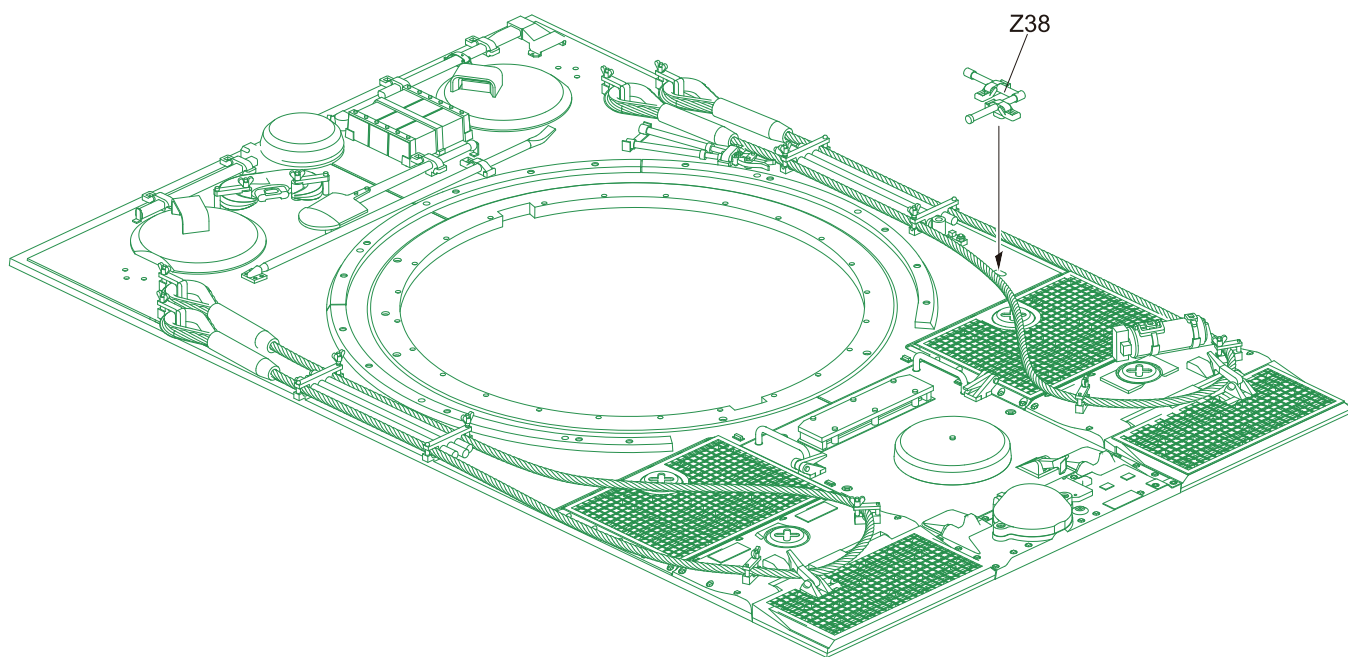


STEP 14

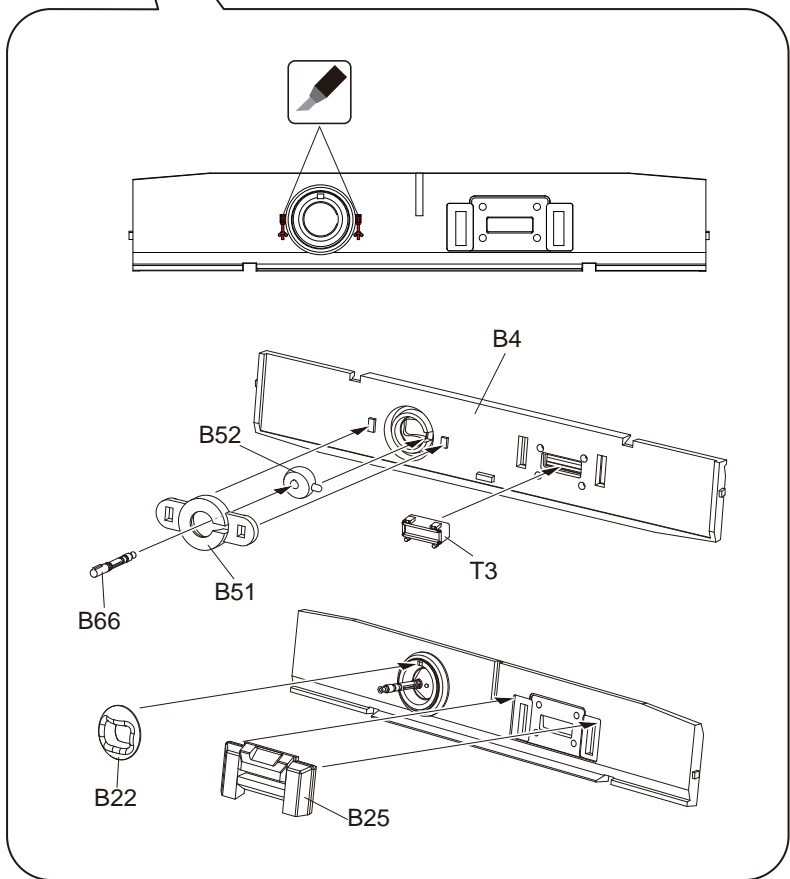
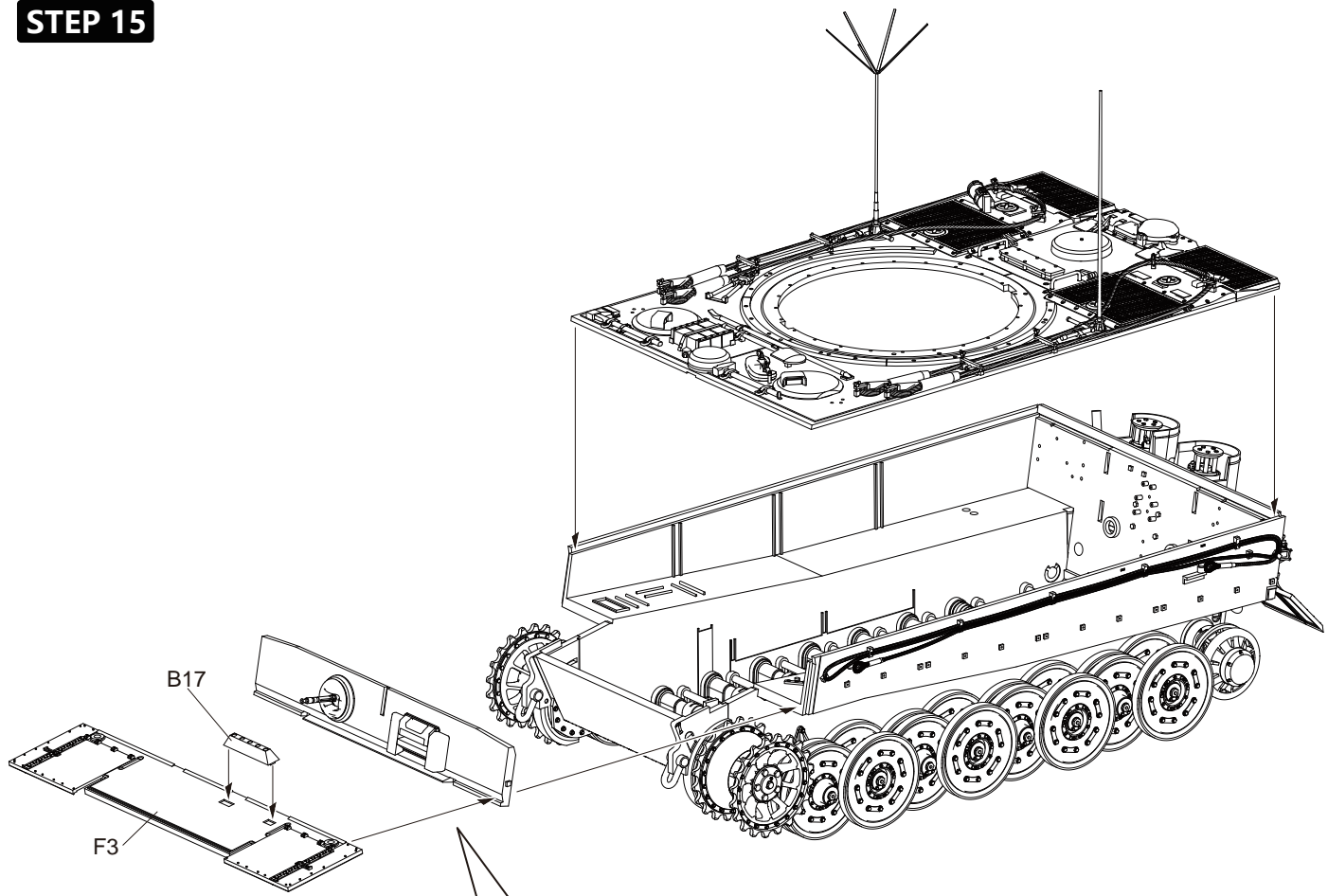
For No.007 Vehicle Use Only
No. 007号车辆适用



For Standard Late Production Use Only
标准后期型适用

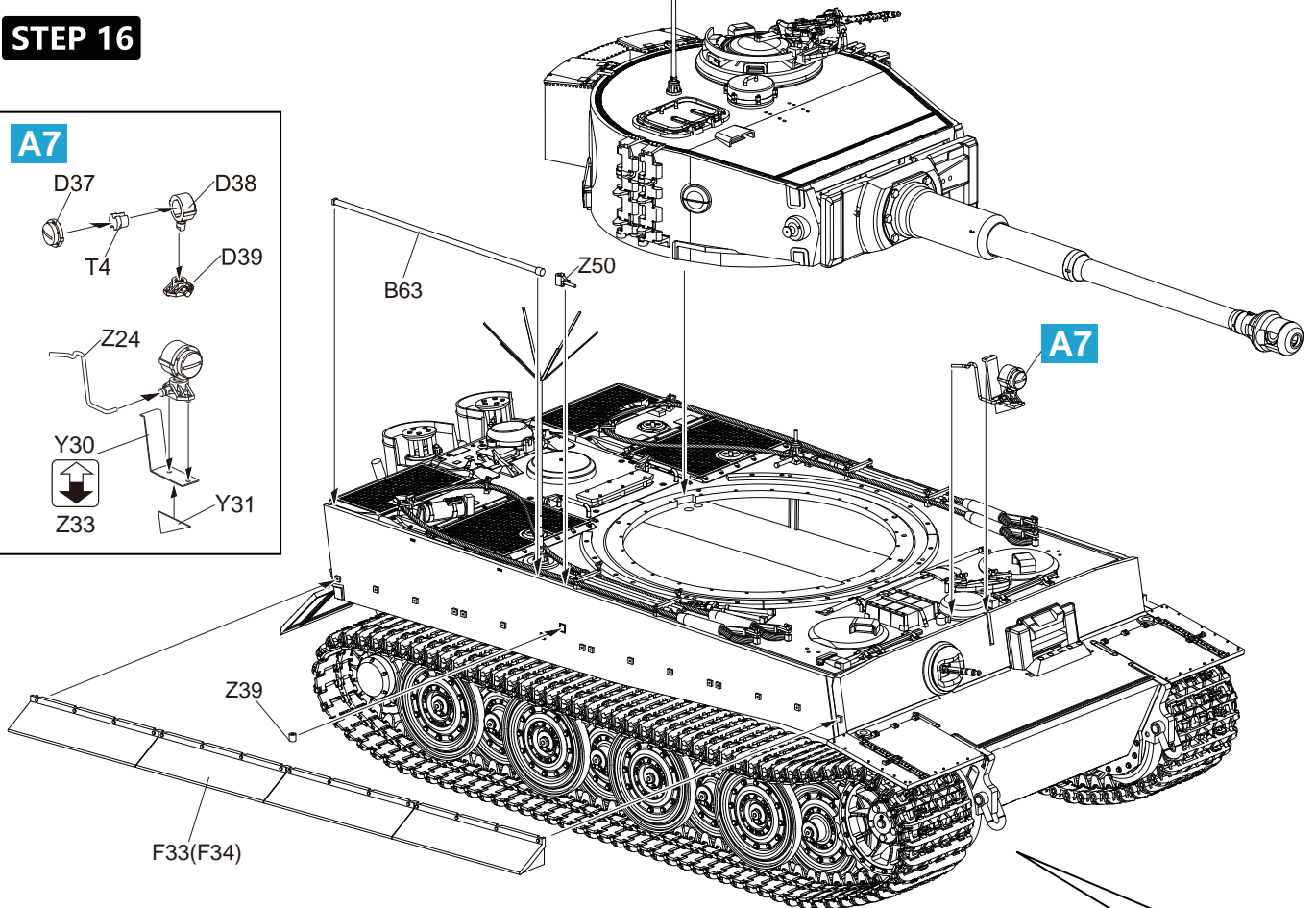
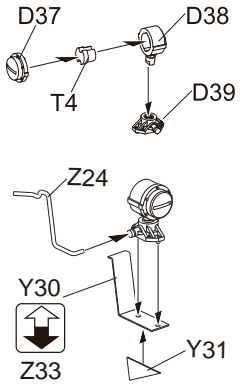


STEP 15

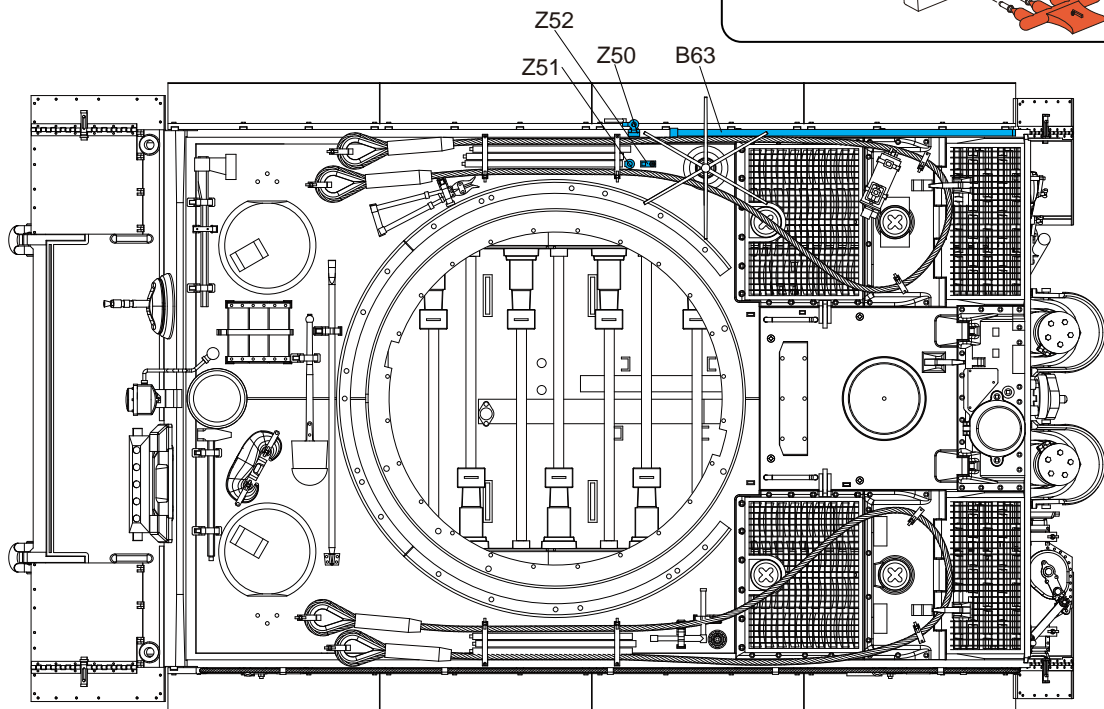
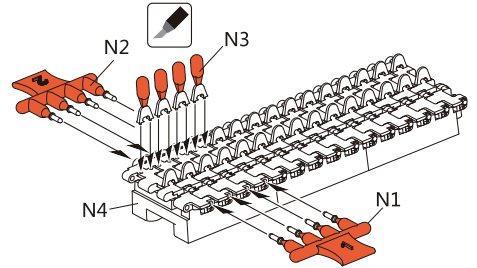


STEP 16

A7



Track Links: 96pcs for each side.



GERMAN HEAVY TANK Sd.Kfz.181

Tiger I Late Production

德国重型坦克“虎I”后期型



1/35 SCALE
RM-5015



Thank you very much for choosing Rye Field's model kit!
Wish all of you have a pleasant experience during building the model kit!
If you have any questions or need any help, please feel free to contact us.

感谢您选择麦田模型有限公司的模型器材并祝您制作愉快!
如您需要任何帮助请随时与我们联系, 也可扫描以下二维码关注我们获取更多资讯。



FACEBOOK



百度贴吧



微信公众号



新浪微博

RYEFIELD MODELS (HK) CO., LTD.

香港麦田模型玩具有限公司

Business / 业务与合作: info@ryefield-model.com

Support / 售后支持: support@ryefield-model.com

Website / 网站: www.ryefield-moel.com

COPYRIGHT © 2018 ALL RIGHTS RESERVED