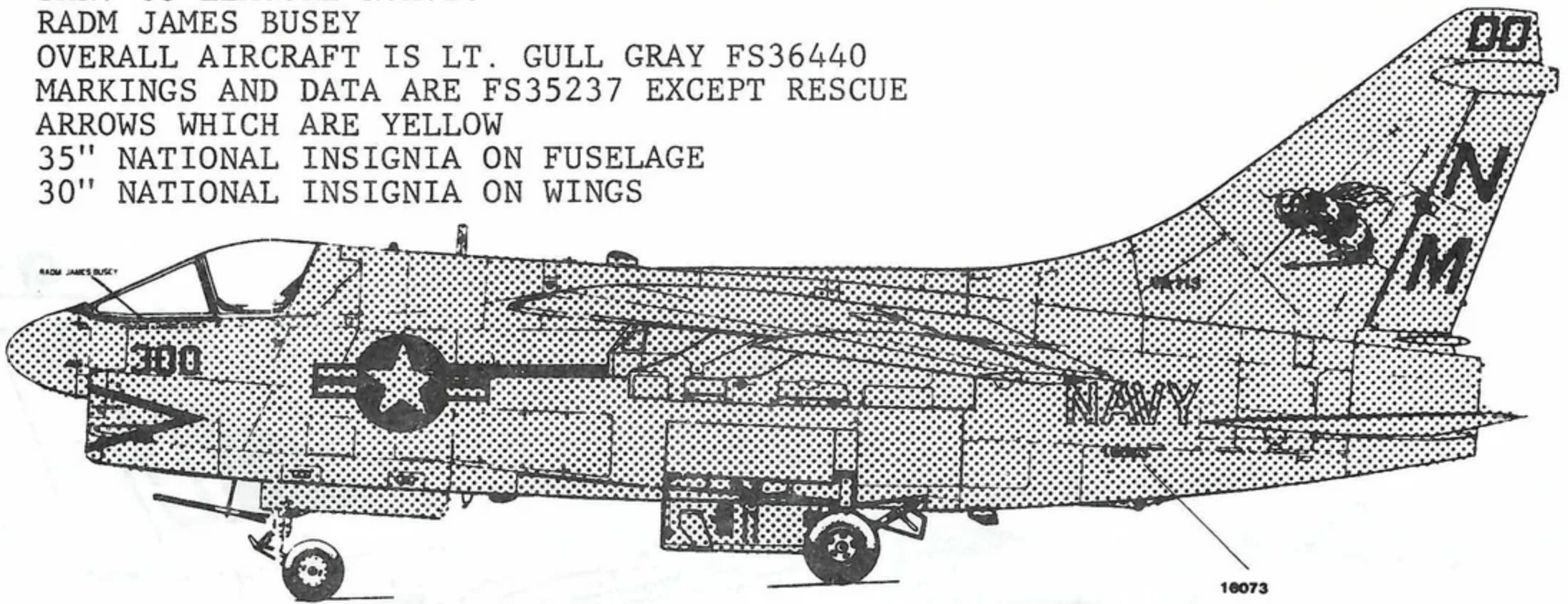
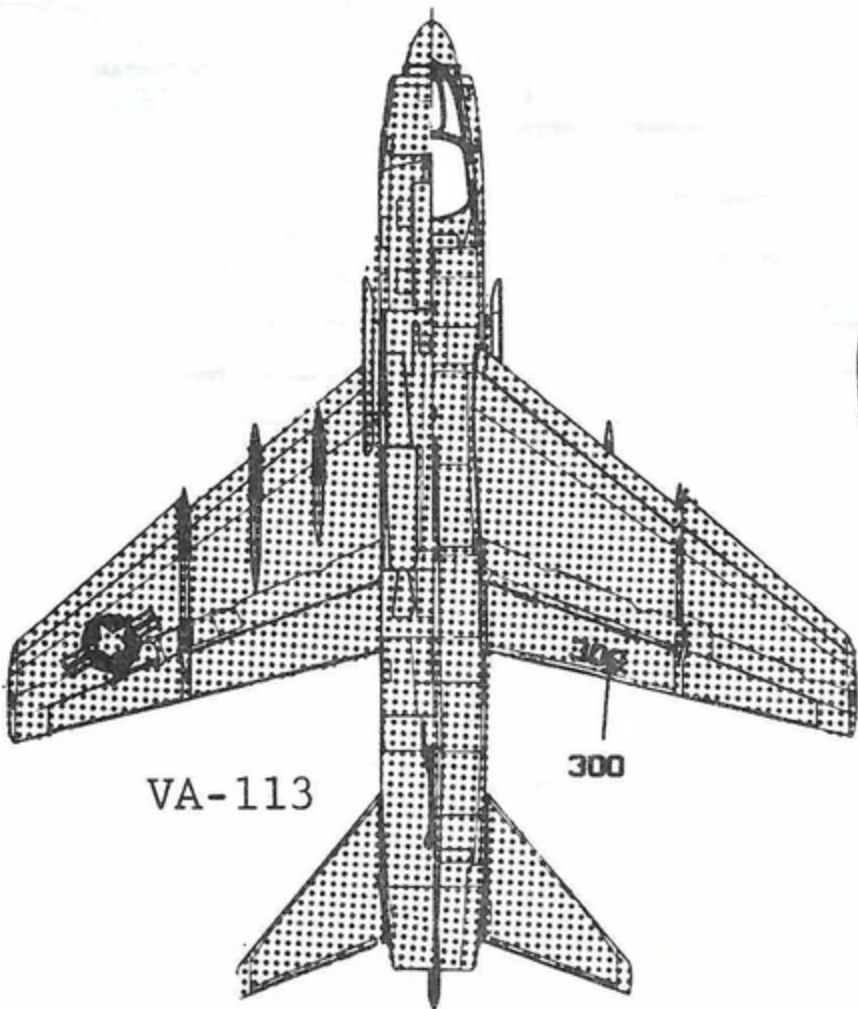
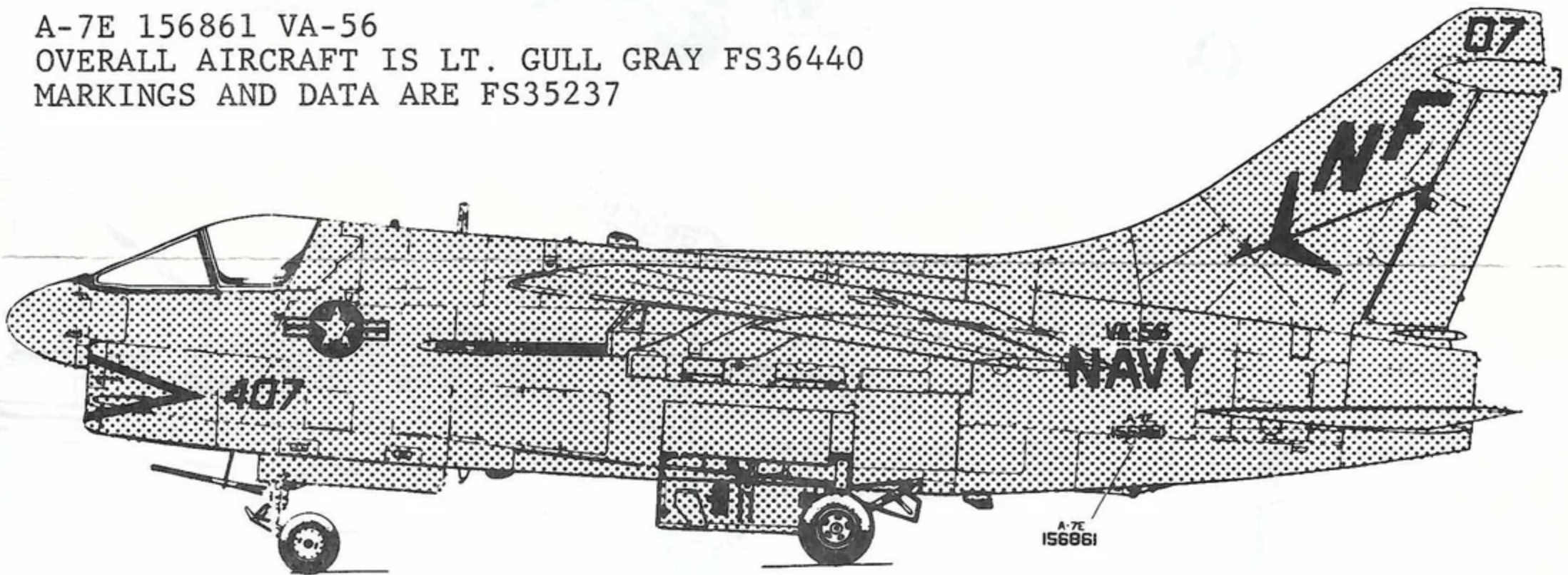


A-7E 160730 VA-113  
 JAN. 83 LEMOORE N.A.S.  
 RADM JAMES BUSEY  
 OVERALL AIRCRAFT IS LT. GULL GRAY FS36440  
 MARKINGS AND DATA ARE FS35237 EXCEPT RESCUE  
 ARROWS WHICH ARE YELLOW  
 35" NATIONAL INSIGNIA ON FUSELAGE  
 30" NATIONAL INSIGNIA ON WINGS

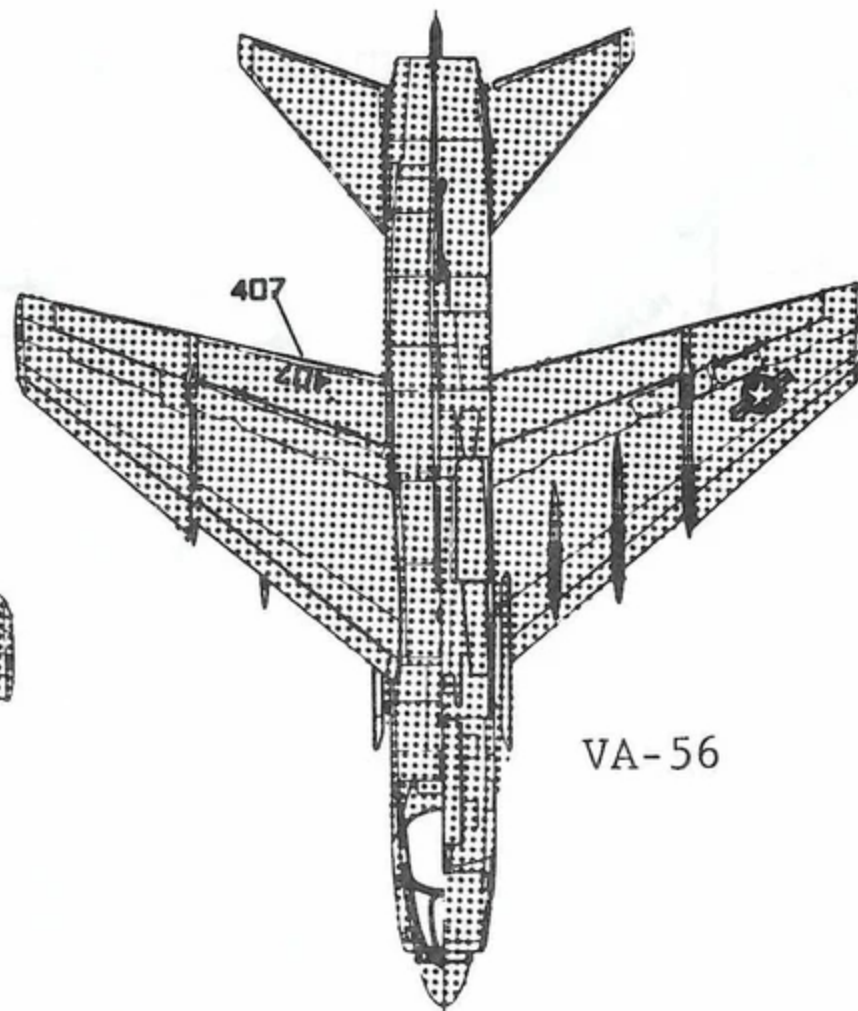


A-7E 156861 VA-56  
 OVERALL AIRCRAFT IS LT. GULL GRAY FS36440  
 MARKINGS AND DATA ARE FS35237



VA-113

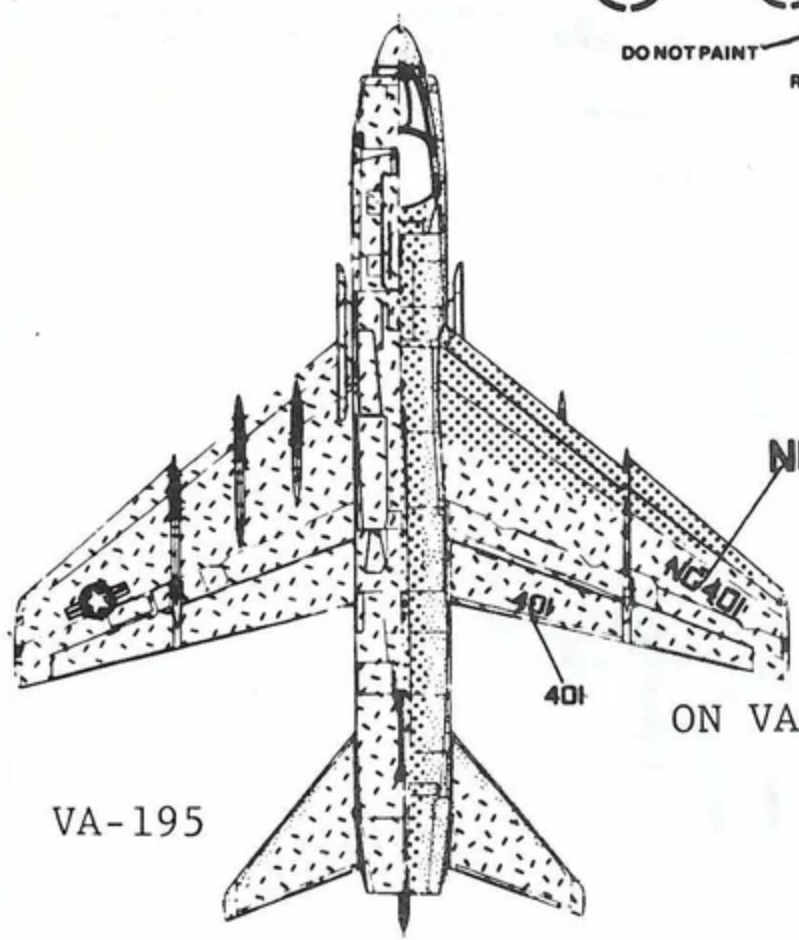
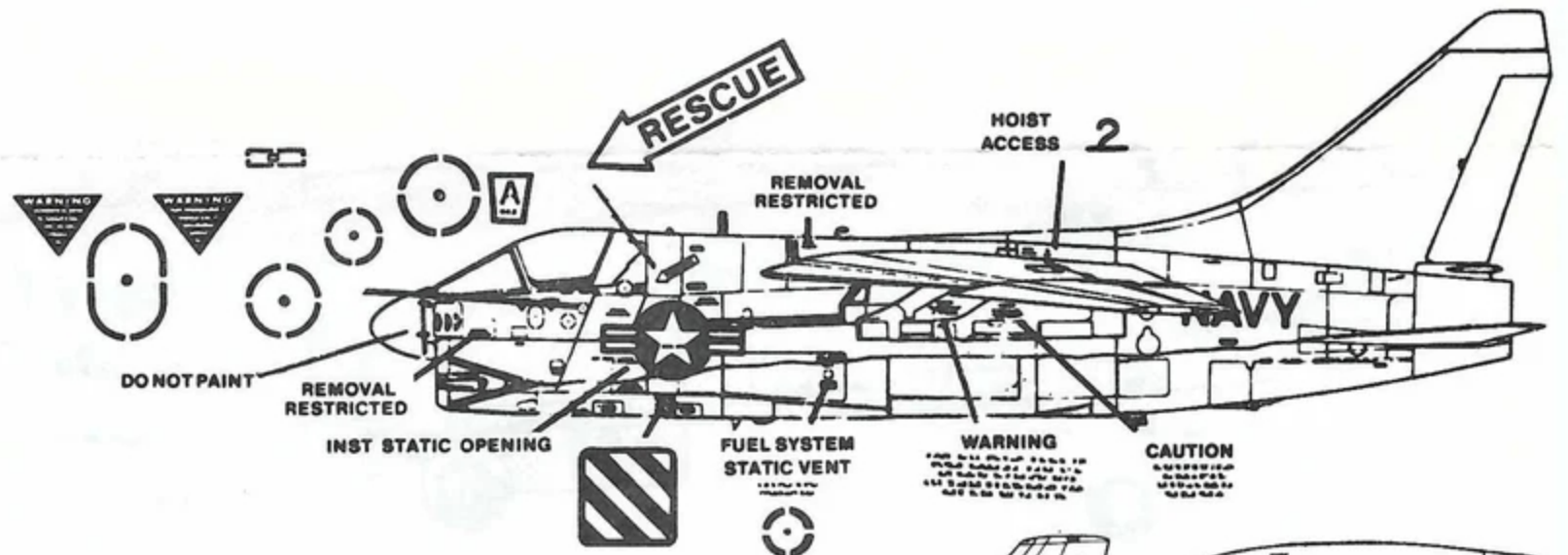
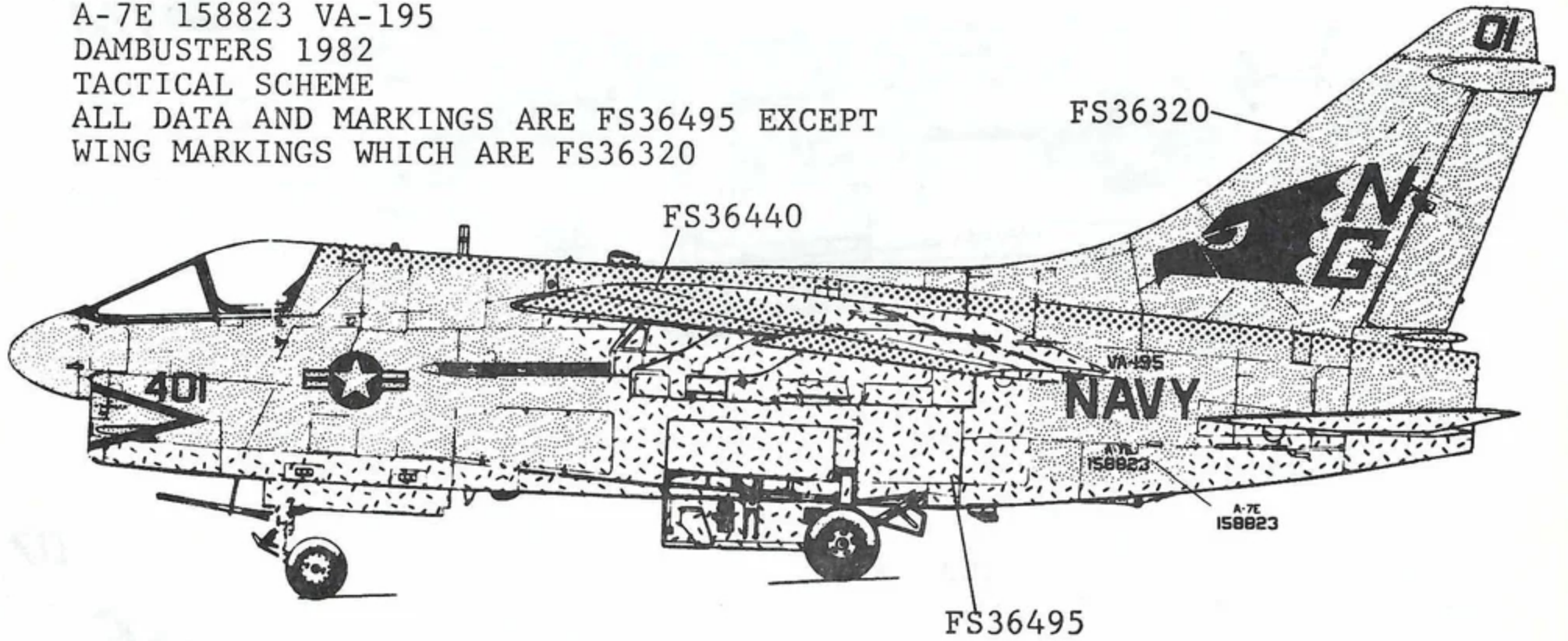
300



VA-56

48-177

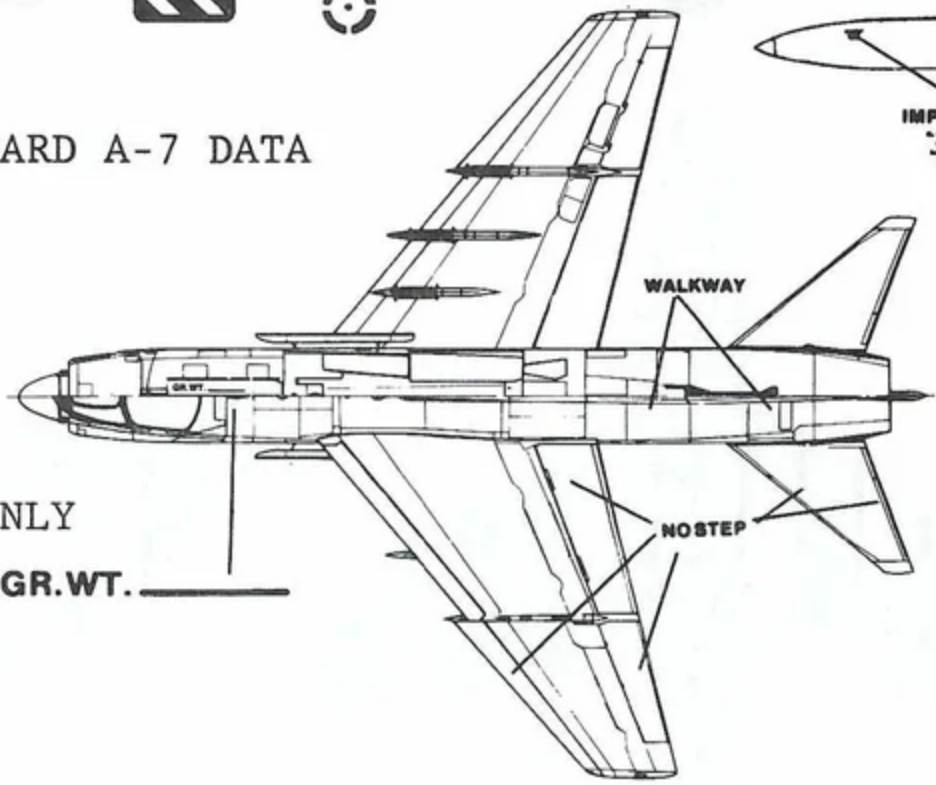
A-7E 158823 VA-195  
DAMBUSTERS 1982  
TACTICAL SCHEME  
ALL DATA AND MARKINGS ARE FS36495 EXCEPT  
WING MARKINGS WHICH ARE FS36320



STANDARD A-7 DATA

ON VA-195 ONLY

GR.WT. \_\_\_\_\_



IMPORTANT  
A-7E 158823  
VA-195