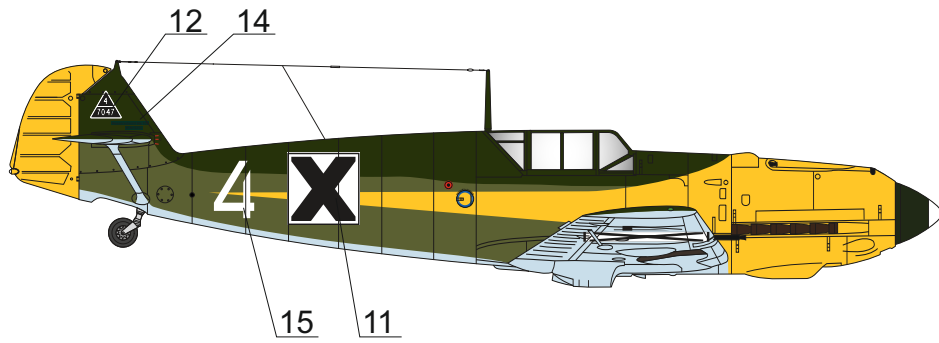
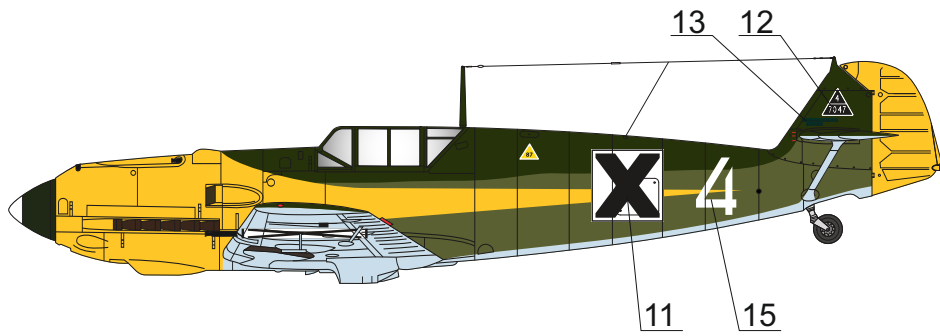
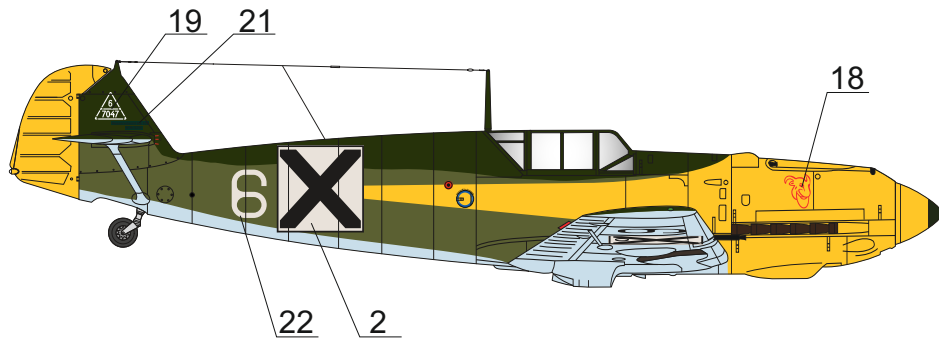
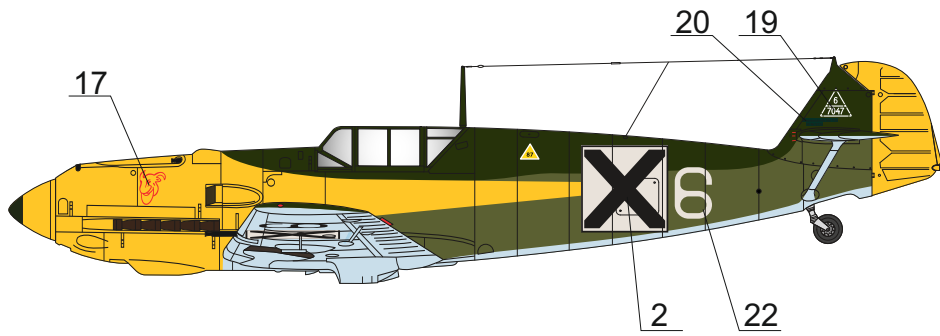


Dark Green
Mid Green
Light Blue

Bf 109 E-3a W.Nr. 5225 5/7047
 6th Iztrebitelen Polk, 1/6 Iztrebitelen Orlyak,
 Marno-Pole airfield, July 1940.



Bf 109 E-3a W.Nr. 5224 4/7047
 1/6 Iztrebitelen Orlyak, Karlovo airfield, April 1941.



Bf 109 E-3a W.Nr. 5226 6/7047

682. Iztrebitelno Yato of „Galata” Orlyak,
 Balchik airfield, November 1941.

Short info about Bulgarian colours from Bulgarian Fighter Colours vol.1

(Denes Bernad, Stratus 2018)

Dark Green

Mid Green

Light Blue

The Author believes the camouflage scheme worn by Bulgarian 109Es consisted of Dark Green (similar to **RLM 71**, not RLM 70 Black Green) fuselage spine and upper engine cowling, while the fuselage and engine cowlings sides were Mid Green (a bit lighter than **RLM 62**).

The upper surfaces of the wings were a combination of two green colours, applied in so-called *splinter* scheme. All under surfaces were Light Blue (similar to **RLM 65**).

The rudder was divided horizontally into three equal areas, White (top), vivid Green (middle) and blood Red (bottom) - Bulgaria's national colours. At delivery, the aircraft did not have any Bulgarian military markings, or coded applied. The inside surface of the main undercarriage leg panel appears to be very dark, possibly matt Black. The aircraft's type (Messerschmitt Me 109) and the construction number (e.g. W.Nr.5221) were applied at the factory on both sides of the fin roof, in Black, over what appears to be Black Green background.

Shortly after the military marking change (late June 1940), the Bf 109Es also received an „arrow” style Yellow decoration, typical for Bulgarian warplanes. This consisted in a wraparound engine cowling, followed by a rearward tapering flash, running along the fuselage sides up to the tail.

The colour of the Bulgarian Messerschmitts' fancy paint job was bright Yellow (possibly **RLM 04**).

Possibly in spring of 1941, prior to the invasion of Yugoslavia and Greece by *Wehrmacht*, the tricolour on the rudder was covered with a layer of bright Yellow (**RLM 04**) paint. Also elevators had been painted Yellow at the same time. Some planes received Yellow painted propeller spinner.

Yellow

photo credits: Denes Bernad - Bulgarian Fighter Colours 1919-1948, published in Poland in 2018 by Stratus s.j.

