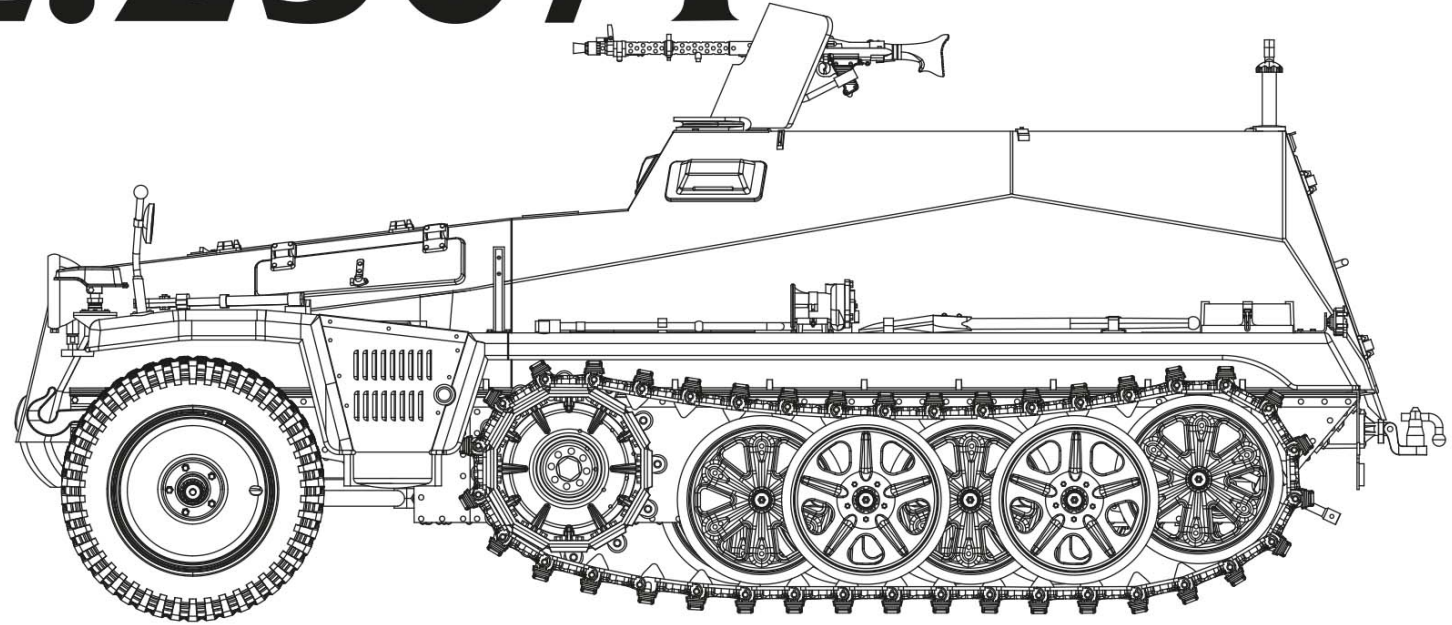


# Sd.Kfz.250/1



In 1939, the German Inspectorate for Motorized Troops requested a small, armored half-track to perform auxiliary missions while accompanying tanks on the offensive. These were mainly to be used for scouting, as mobile HQs, command, radio vehicles and as forward observation vehicles.

Having already developed the Sd.Kfz.10, Demag was recognized for its expertise with very small half-tracks. Along with Demag, Büssing-NAG was chosen to design the lightweight sloped armored body. The new light armored troop carrier was designated as the Sd.Kfz. 250. This vehicle was based on the Sd.Kfz.10's D7 chassis built by Demag, using the same tracks, interleaved roadwheels and drive sprockets. However, it was shortened by one pair of roadwheels.

Like the Sd.Kfz. 10, the Sd.Kfz.250 was powered by the same 100 hp Maybach 6-cylinder, water-cooled, 4.17-liter HL 42 TRKM gasoline engine. It was served by a Maybach SRG VG102 128H semi-automatic pre-selector transmission with seven forward and three reverse gears. Top speed was more than 75 km/h (47 mph).

Both the forward wheels and the tracks were used for steering, with the track brakes being engaged correspondingly when the wheels were turned far enough. The front axles were suspended by leaf springs and shock absorbers. The driving compartment was not separated from the open-topped rear compartment. The driver and co-driver had lateral vision blocks and front hinged panels with armored shutters. The driver's roof was usually equipped with a ring mount for a shielded MG 34 machine-gun. A pintle mount could also be fitted at the rear to mount an extra MG 34 for AA defense. During the war, various armaments were tried and mounted on specialized variants.

The Sd.Kfz.250 was produced from mid-1941 until the very last days of the war at Demag and Büssing-NAG, with a total of 6628 vehicles being delivered and modified for a wide variety of tasks.

The Sd.Kfz.250/1 leichter Schützenpanzerwagen was the standard troop carrier/scout vehicle with a crew capacity of four (Halbgruppe), armed with a frontal MG 34 protected by an armored shield and an optional rear pintle mount. This variant formed the bulk of the production until 1942.

**03.02.2184**

# READ BEFORE ASSEMBLY

## CAUTION

- Read carefully and fully understand the instructions before commencing assembly. A supervising adult should also read the instructions if a child assembles the model.
- When assembling this kit, tools including knives used. Extra care should be taken to avoid personal injury.
- Keep out of reach of small children. Children must not be allowed to suck any part, or pull vinyl bag over their heads.



Be Careful



Optional



Drill



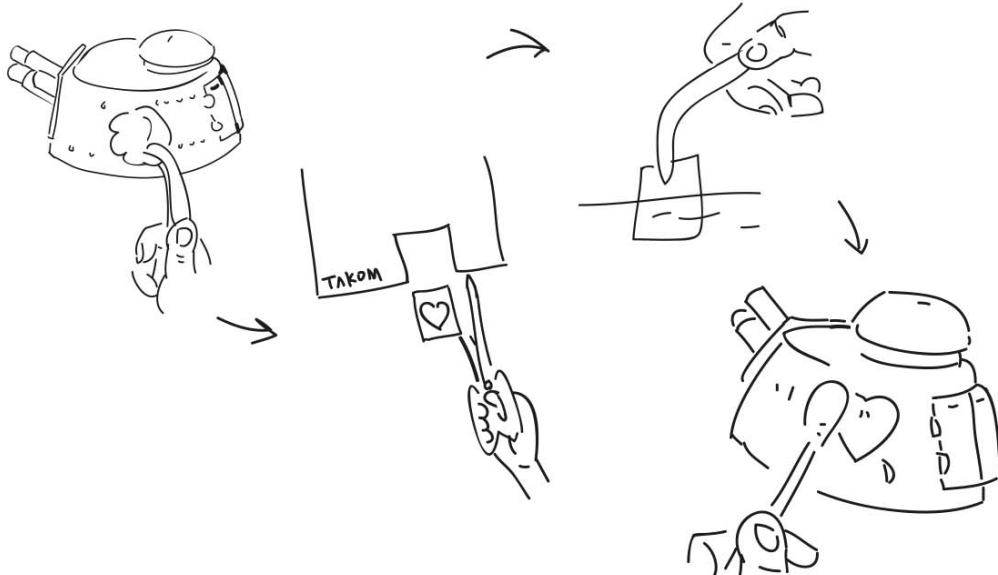
Remove



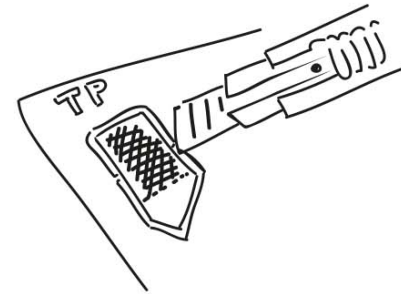
Instant Glue for Metal

## APPLYING DECALS

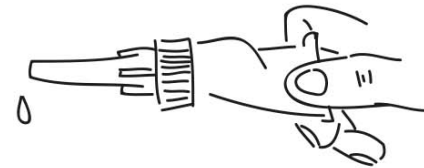
1. Clean the model surface with a wet cloth.
2. Cut out each decal design from sheet, and dip it in tepid water for 15~20 sec.
3. Hold the backing sheet edge and slide decal onto the model.
4. Move decal into position by wetting decal with finger.
5. Press decal gently down with a soft cloth until excess water and air bubbles are gone.



## REMOVING PE



Be careful not to hurt when removing PE parts.

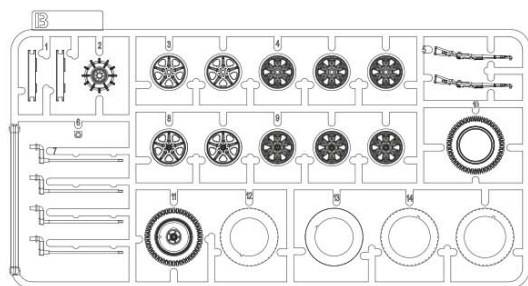
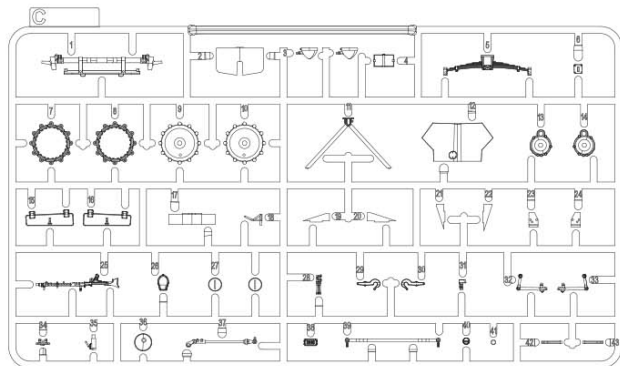
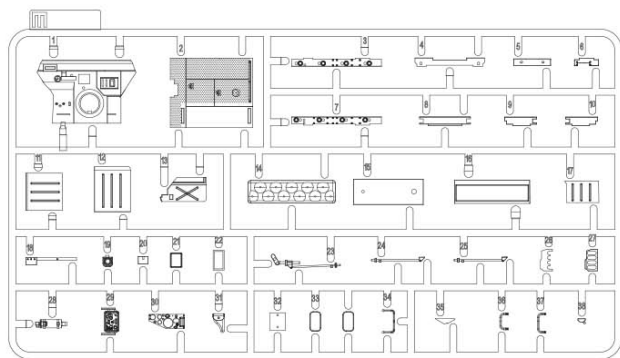


Secure using instant glue (not included).

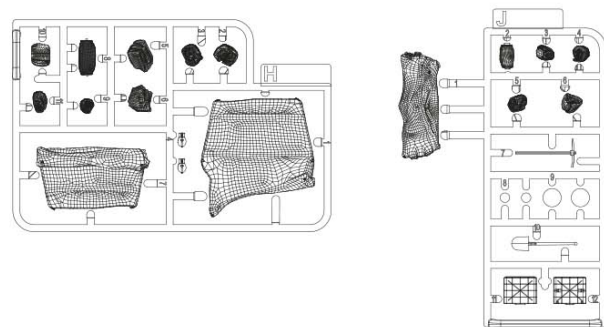
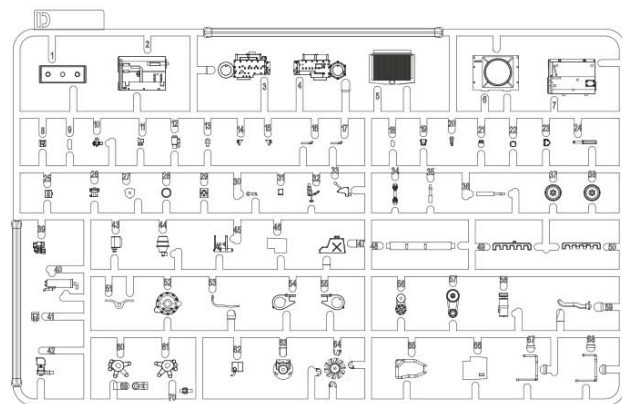


Finish using file.

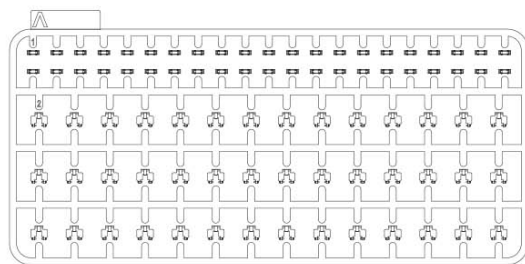
# PARTS



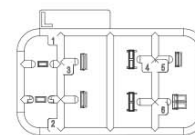
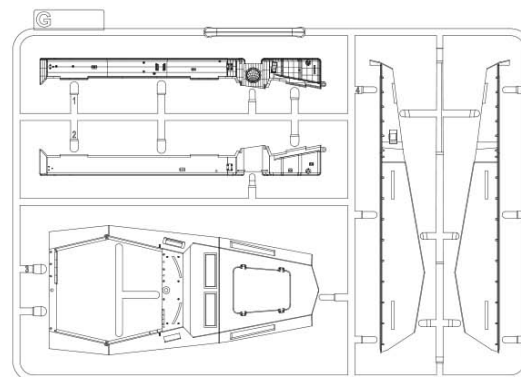
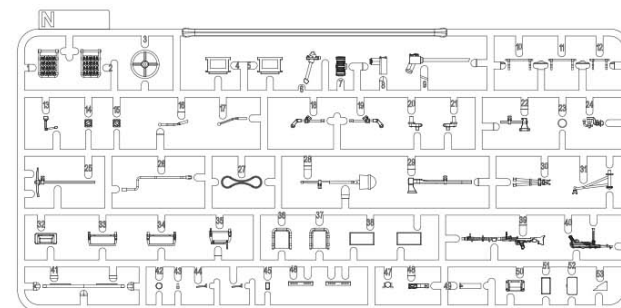
X2



X2



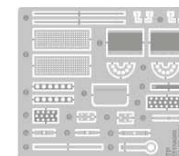
2



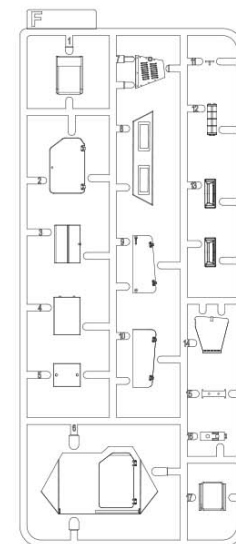
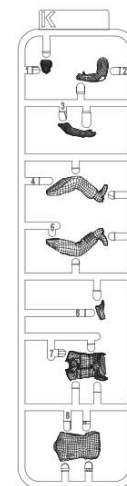
E

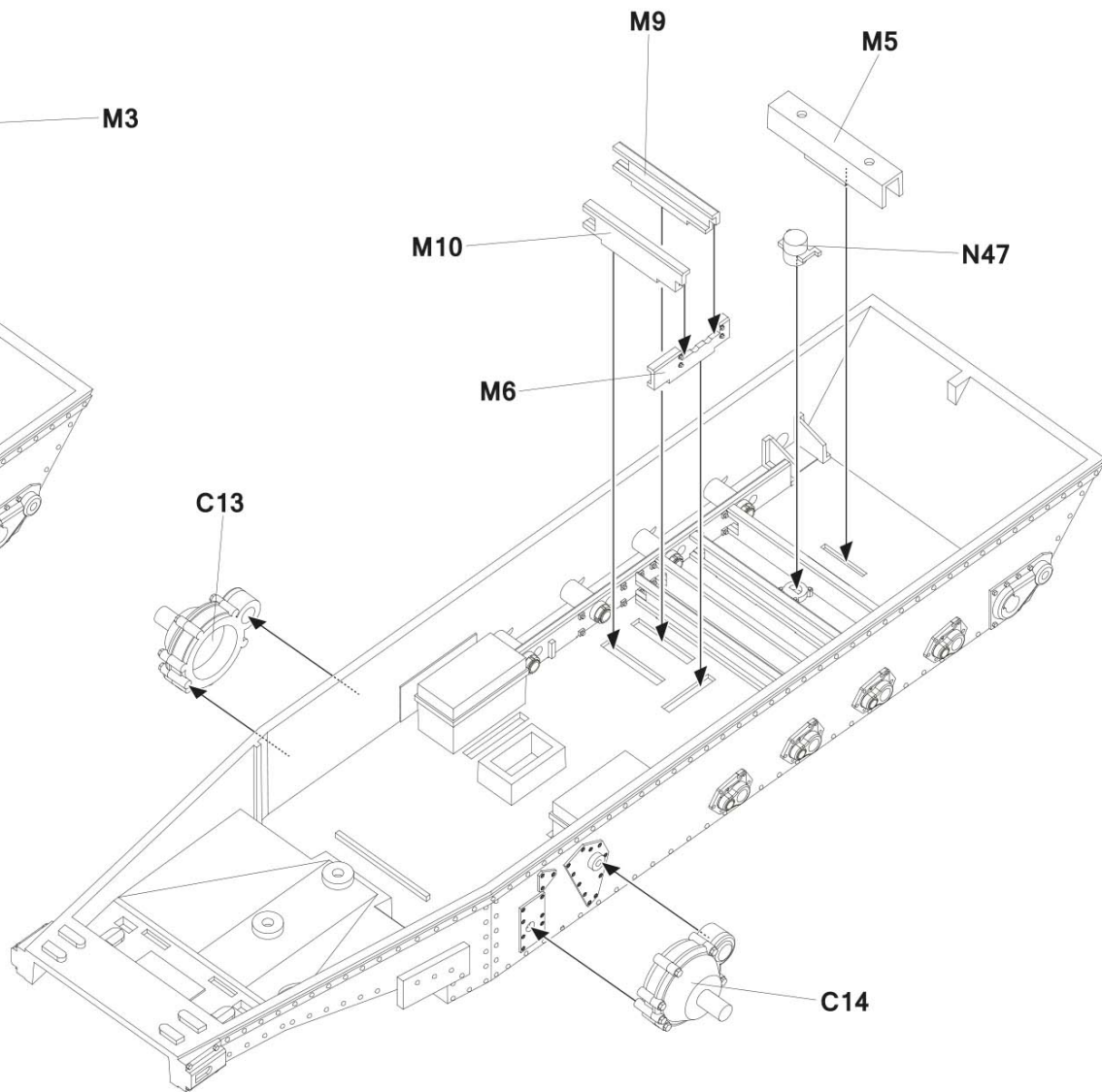
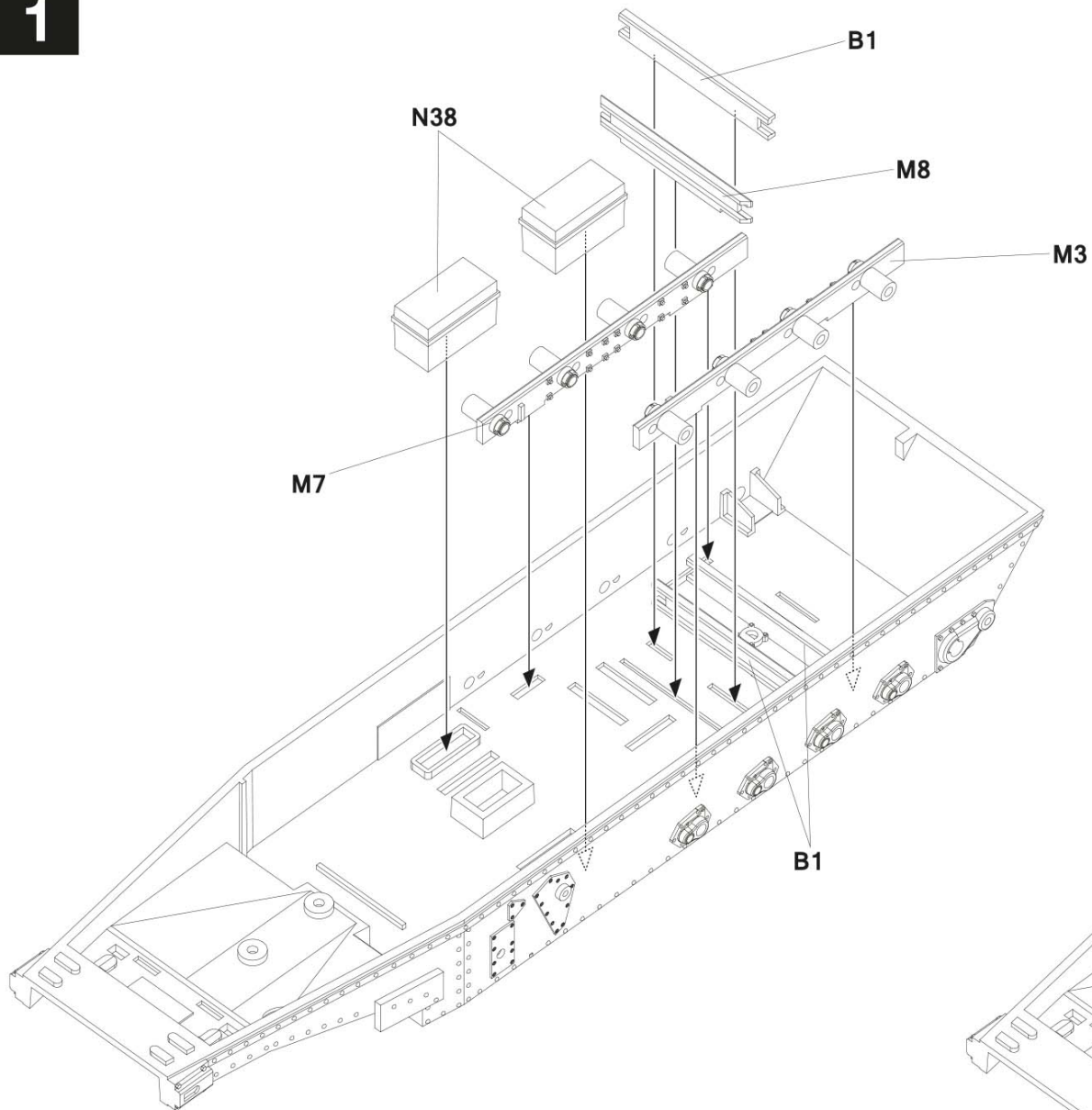


DeacI

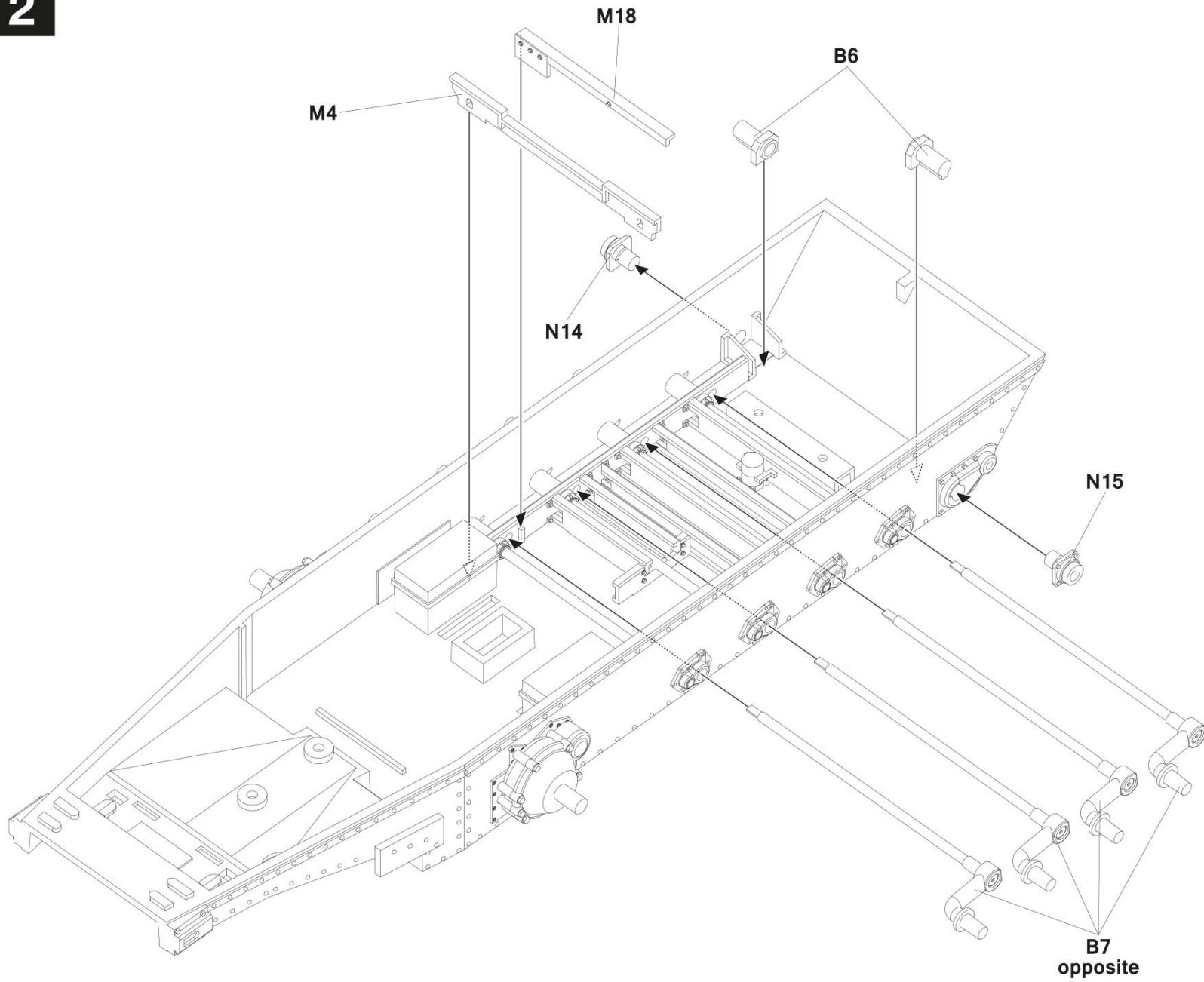


TP

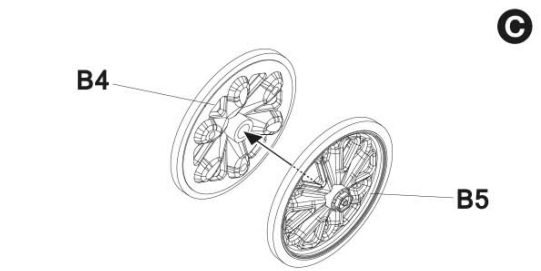
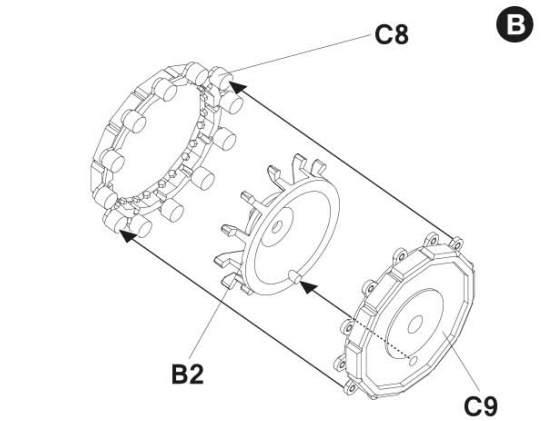
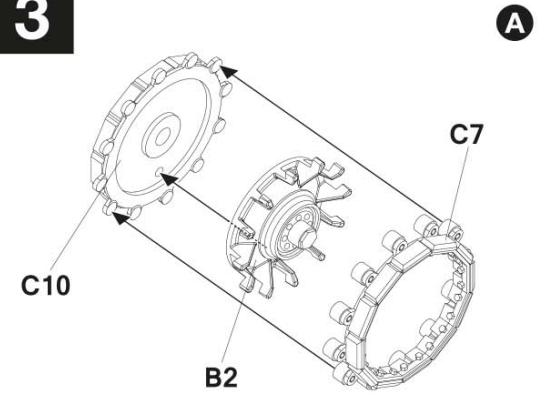




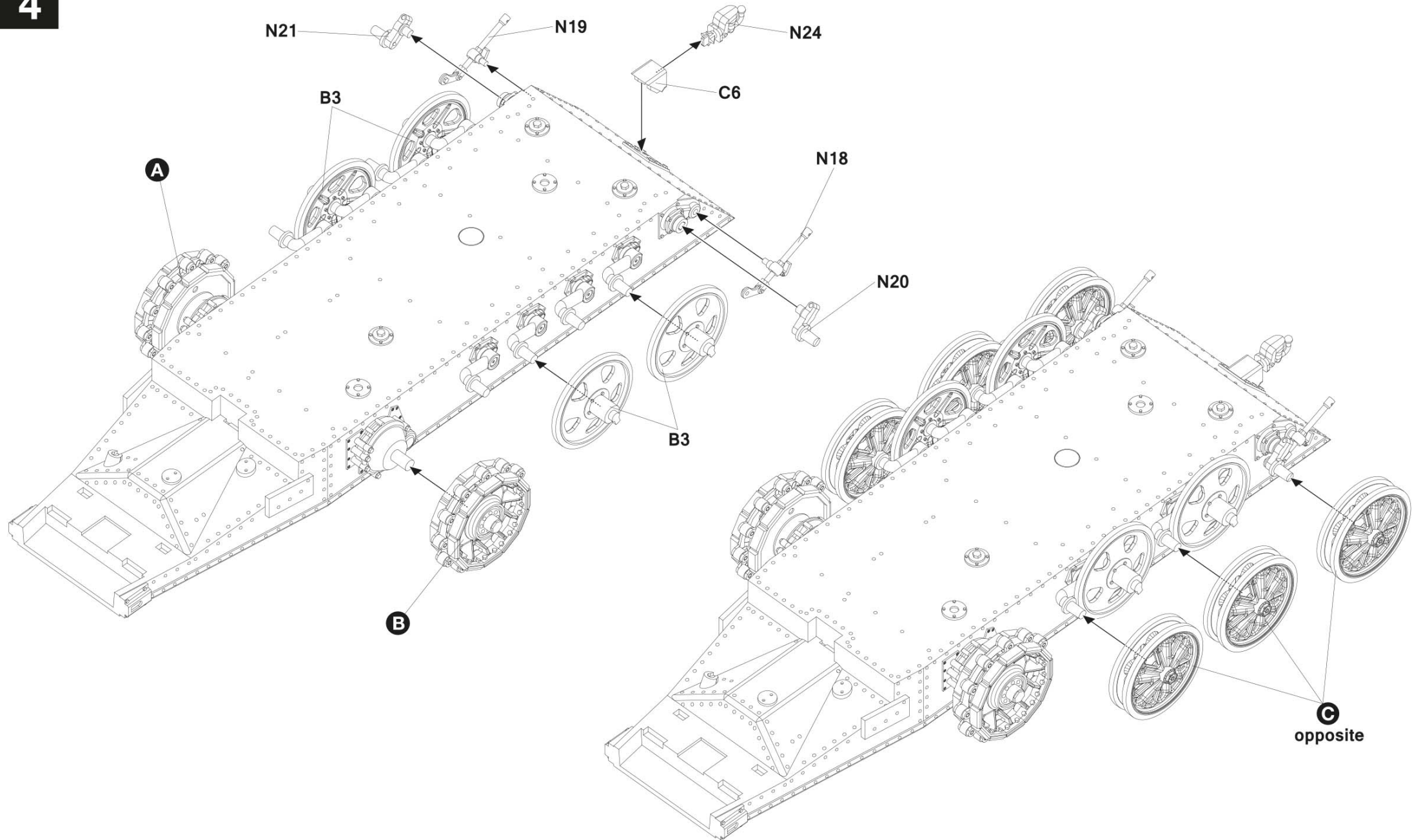
2



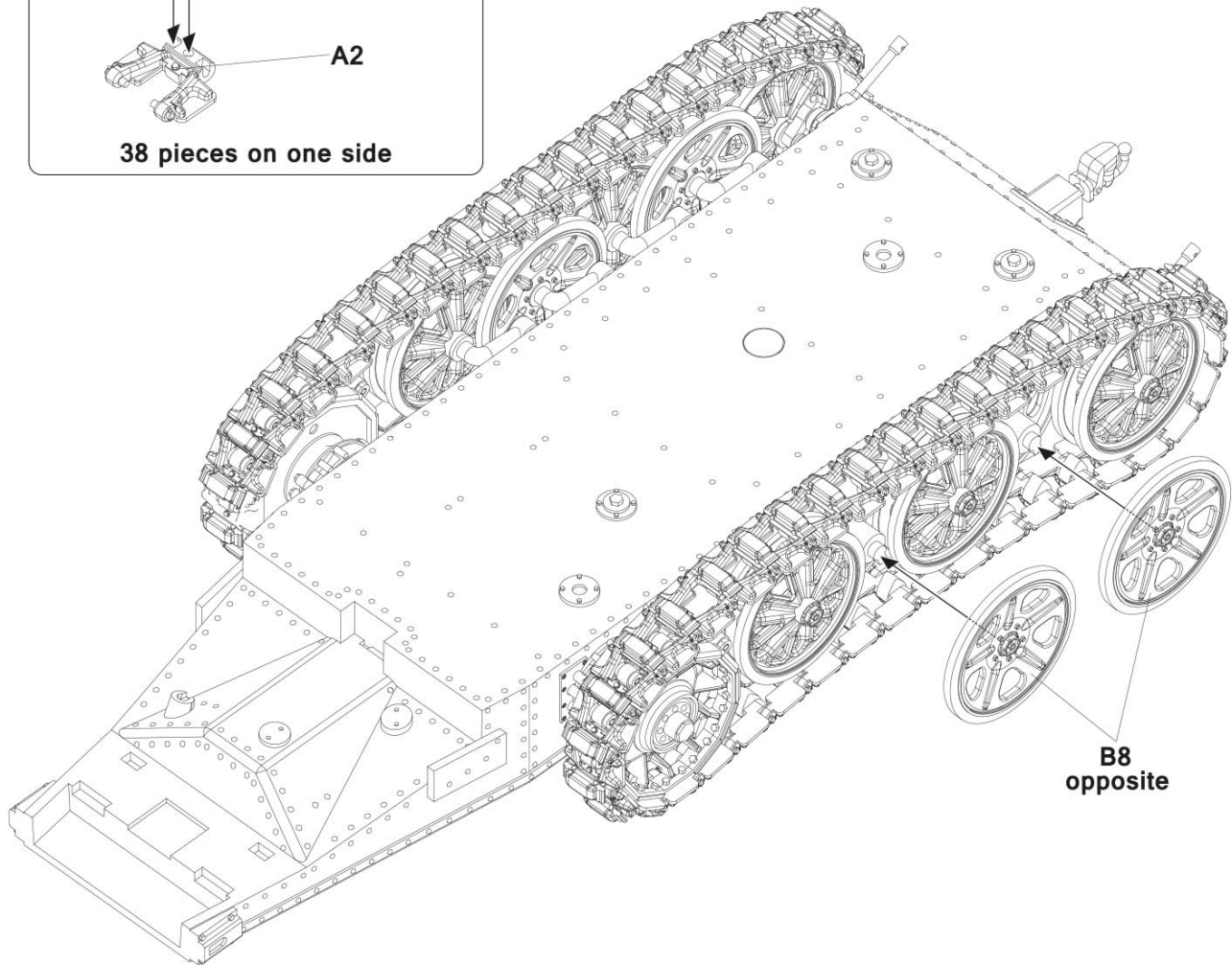
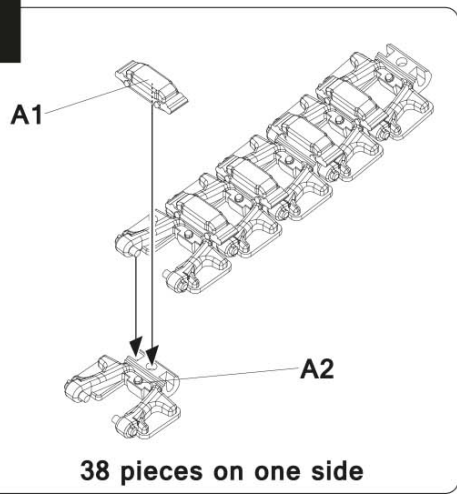
3



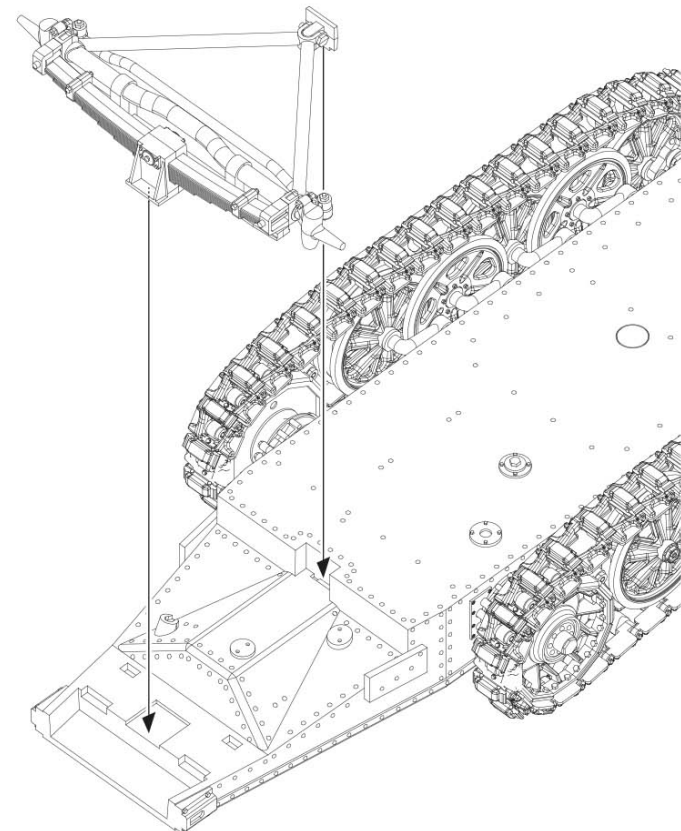
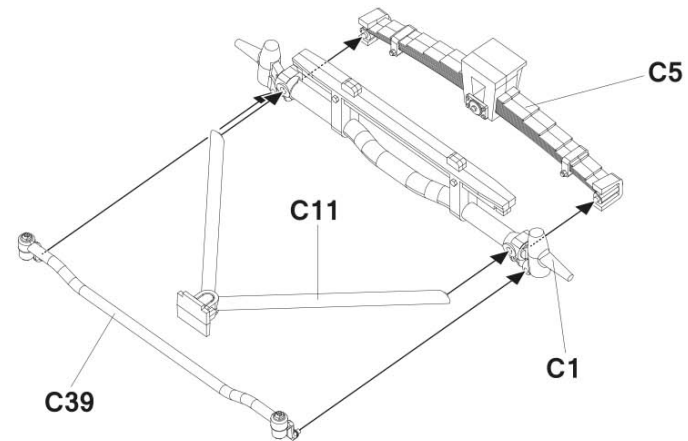
**Make 6**

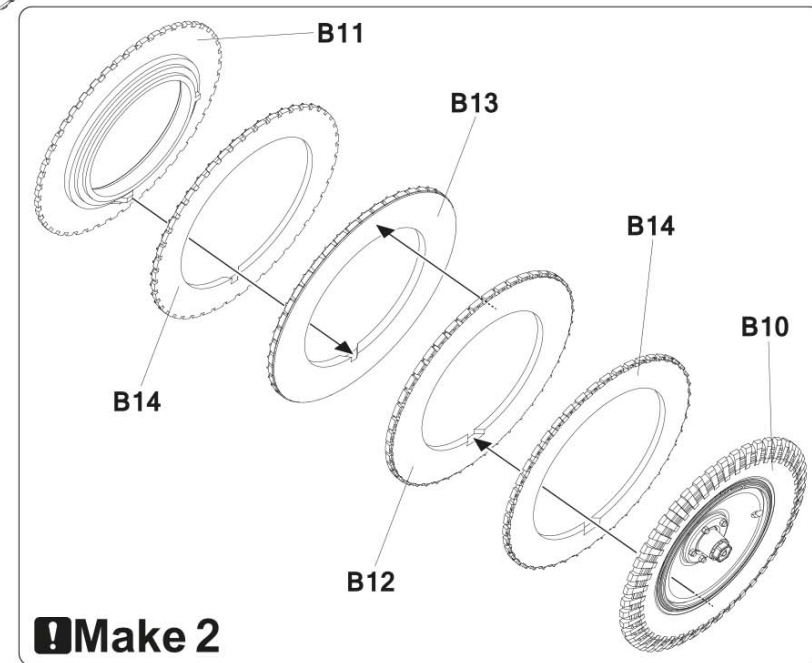
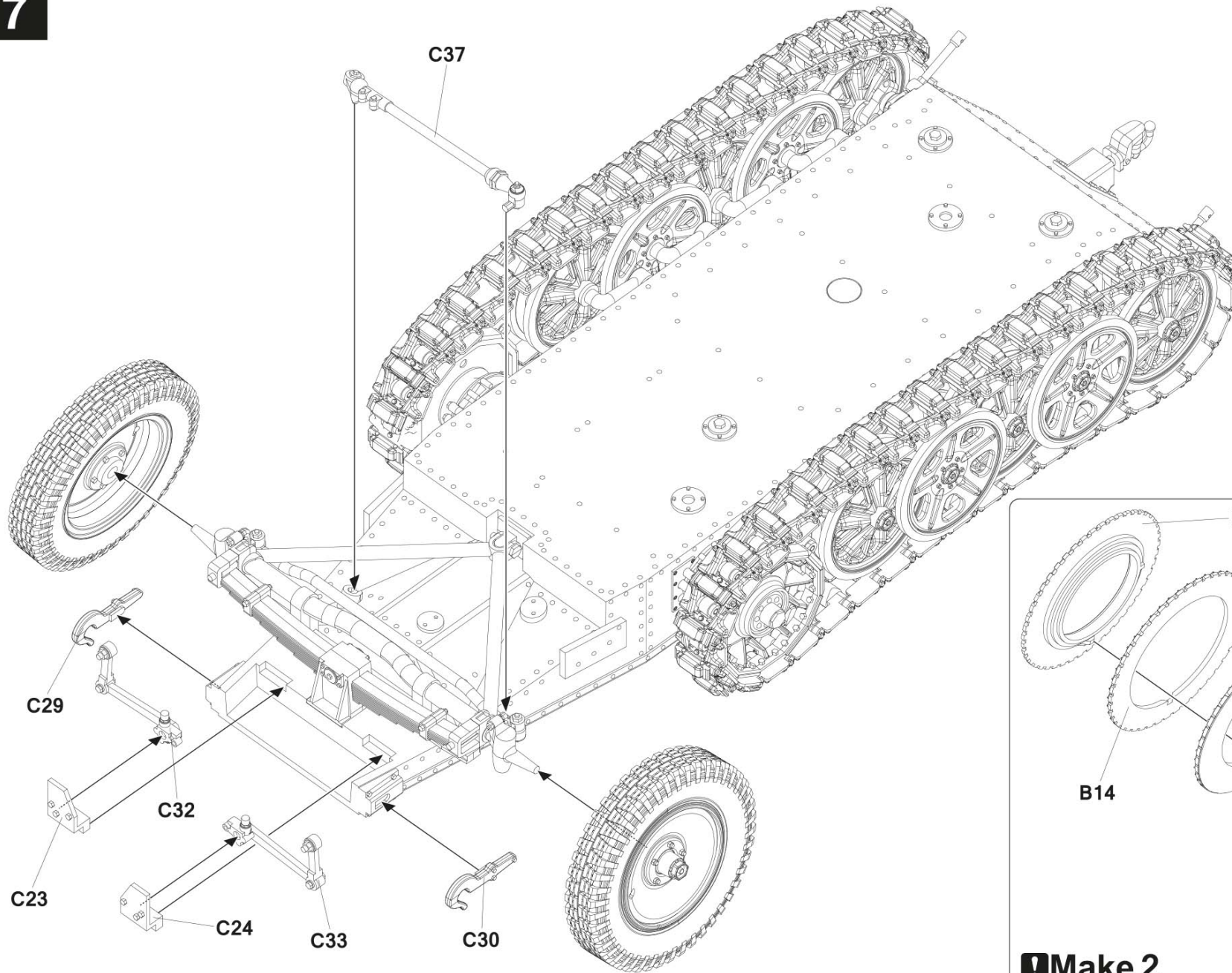


5

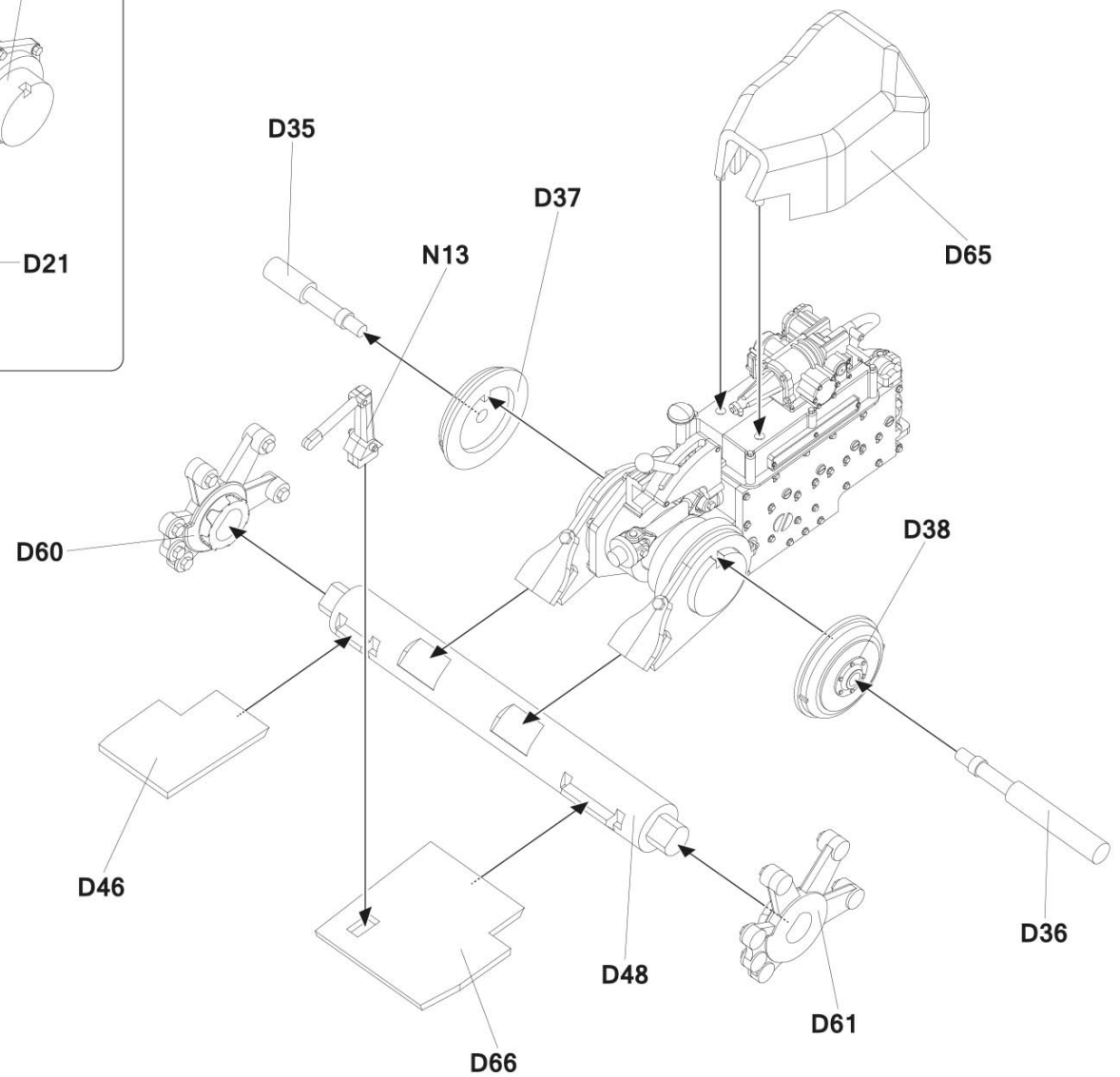
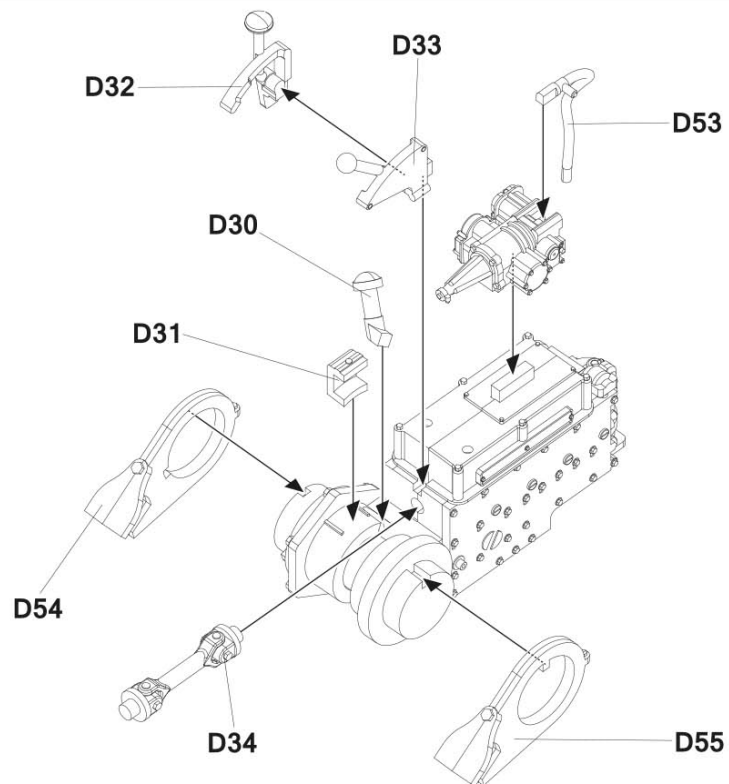
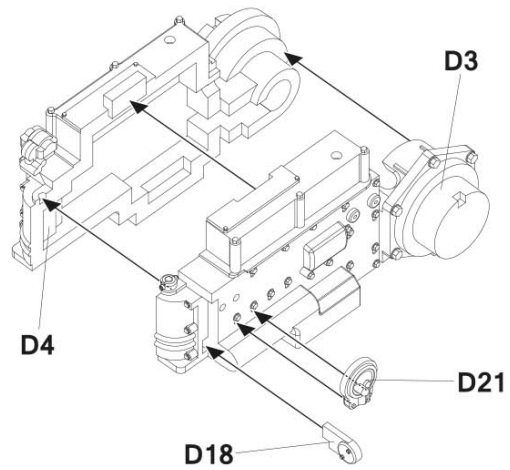
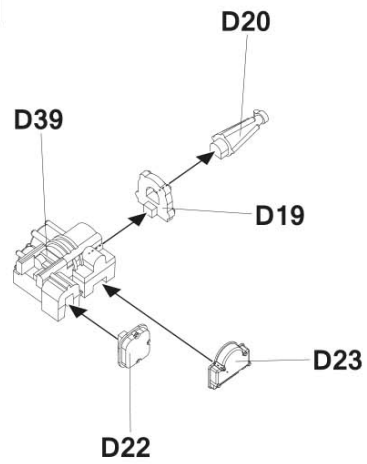


6

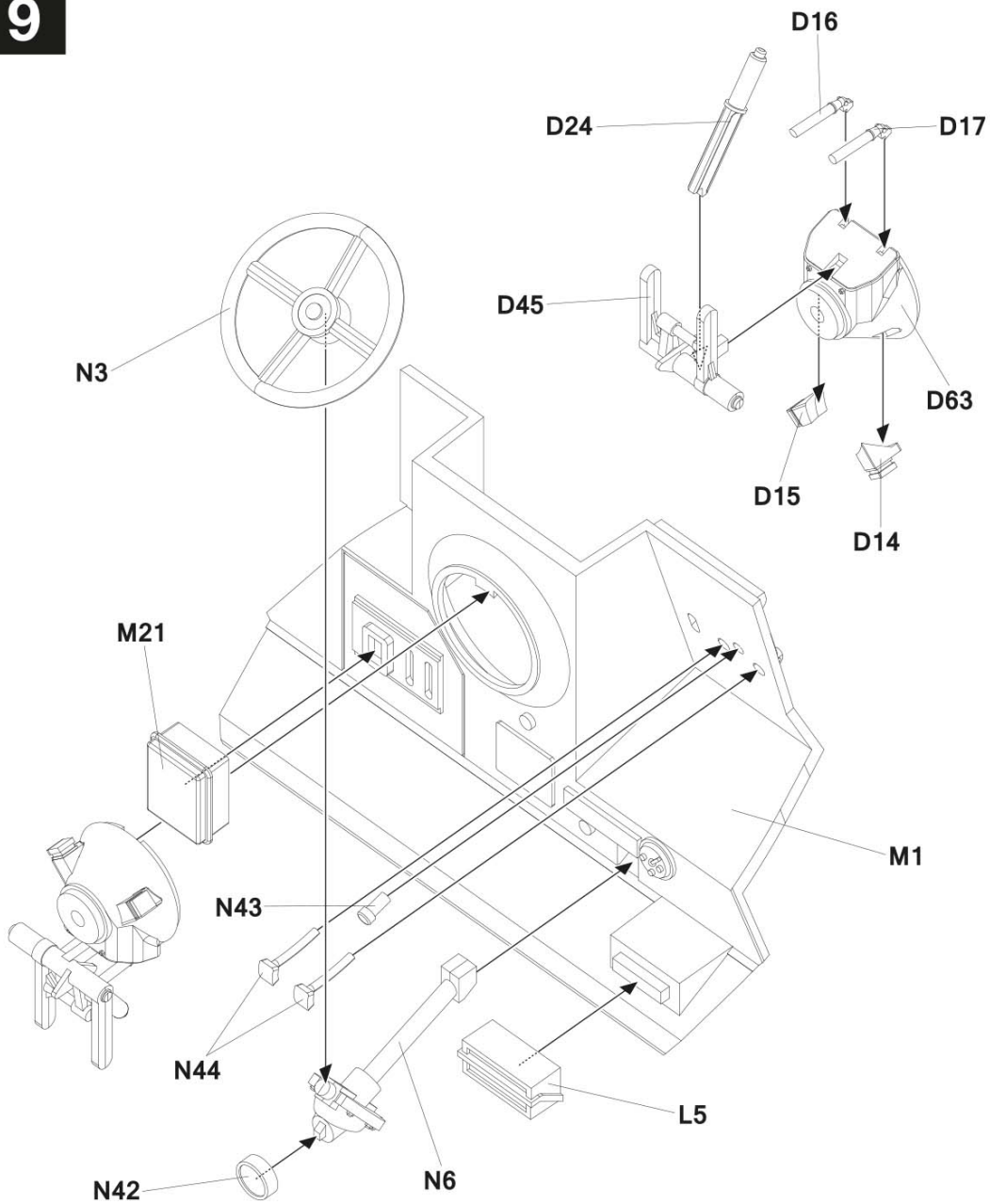




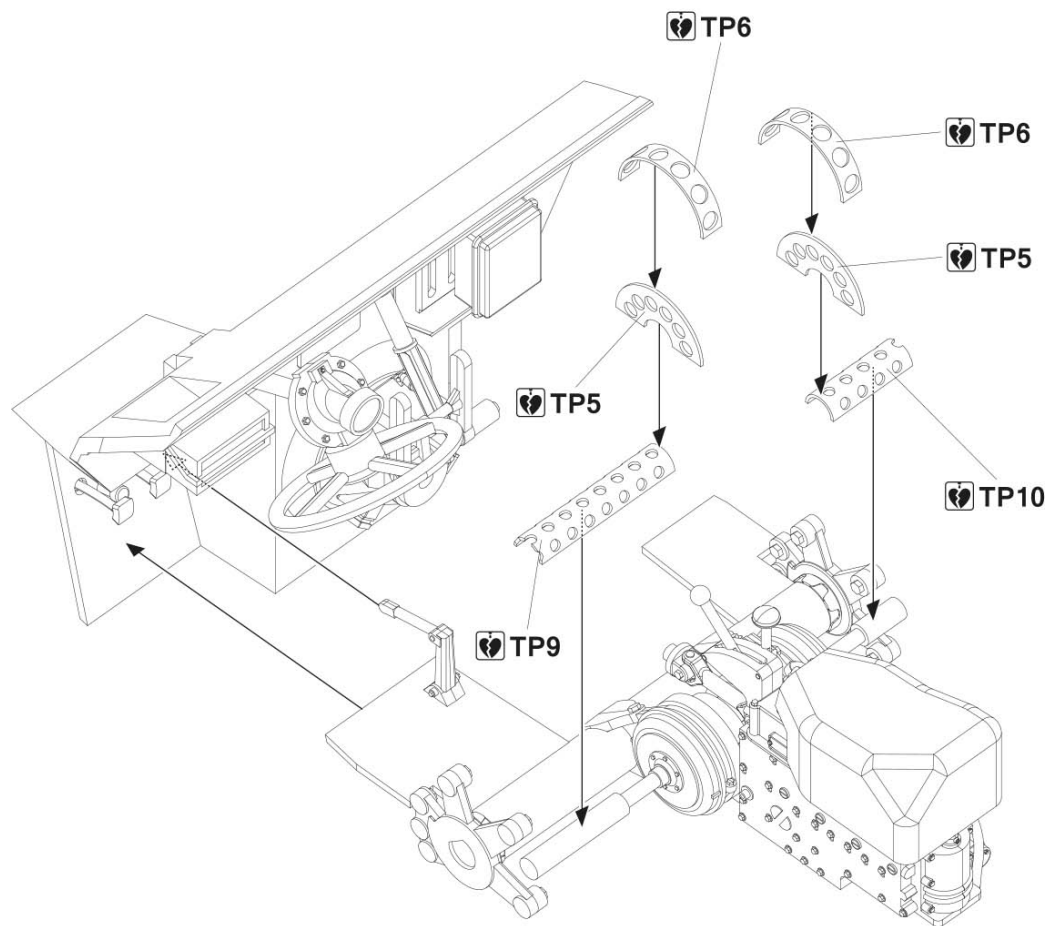


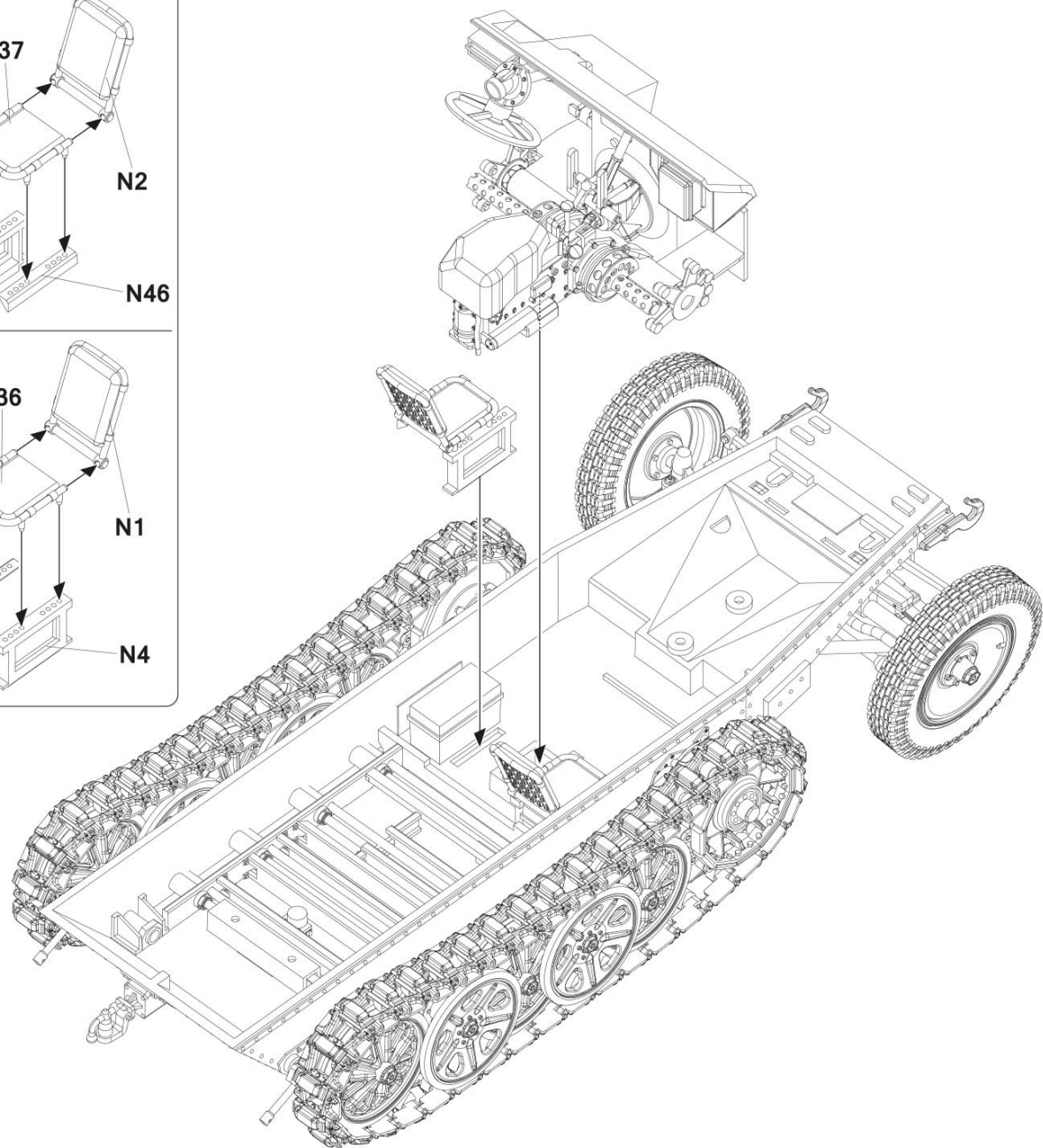
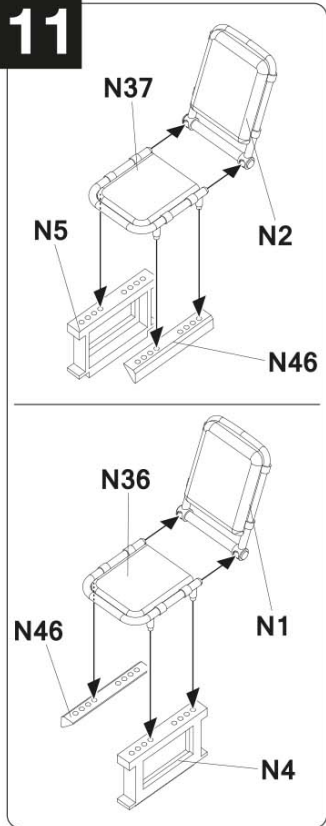
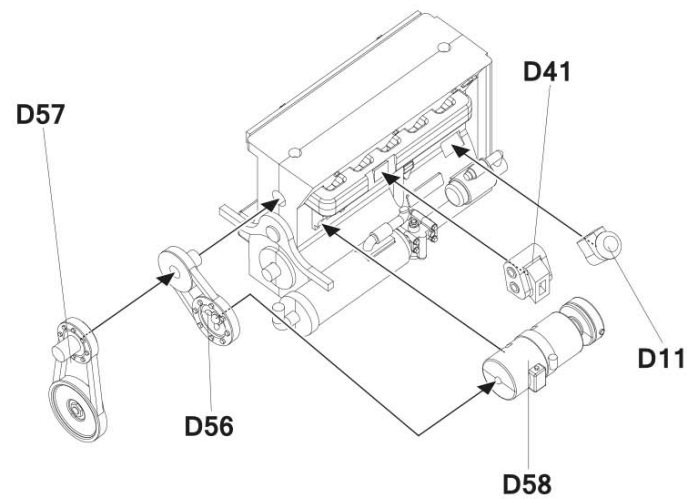
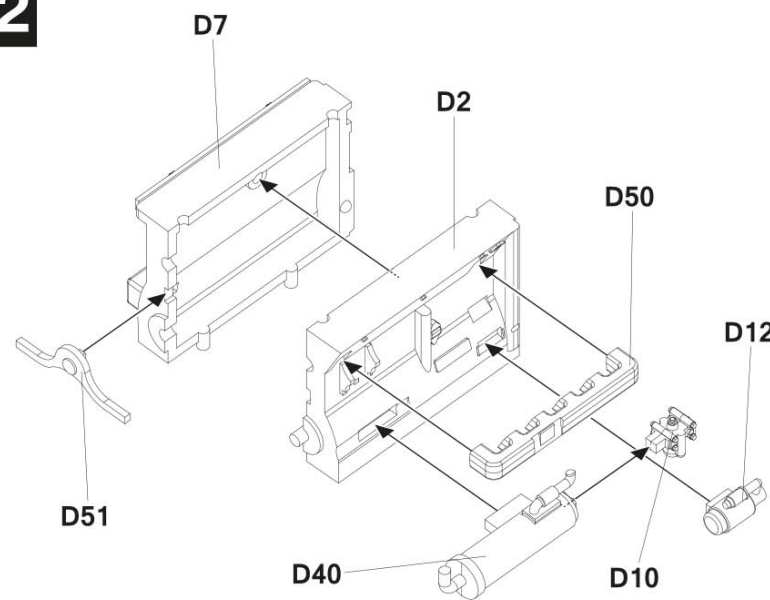


9

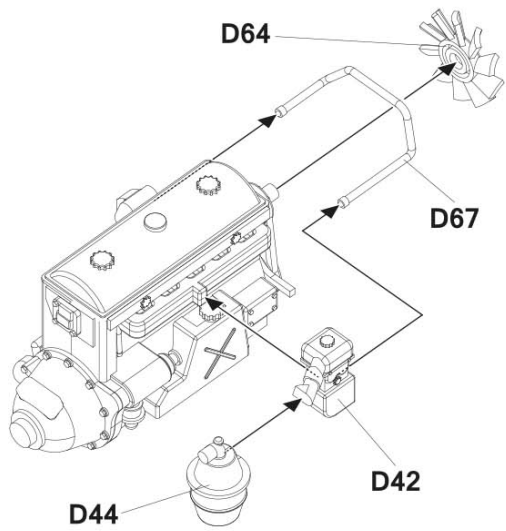
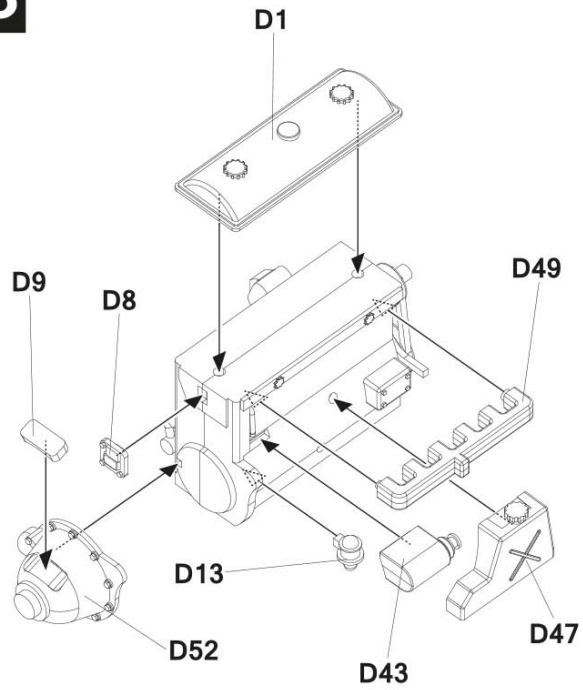


10

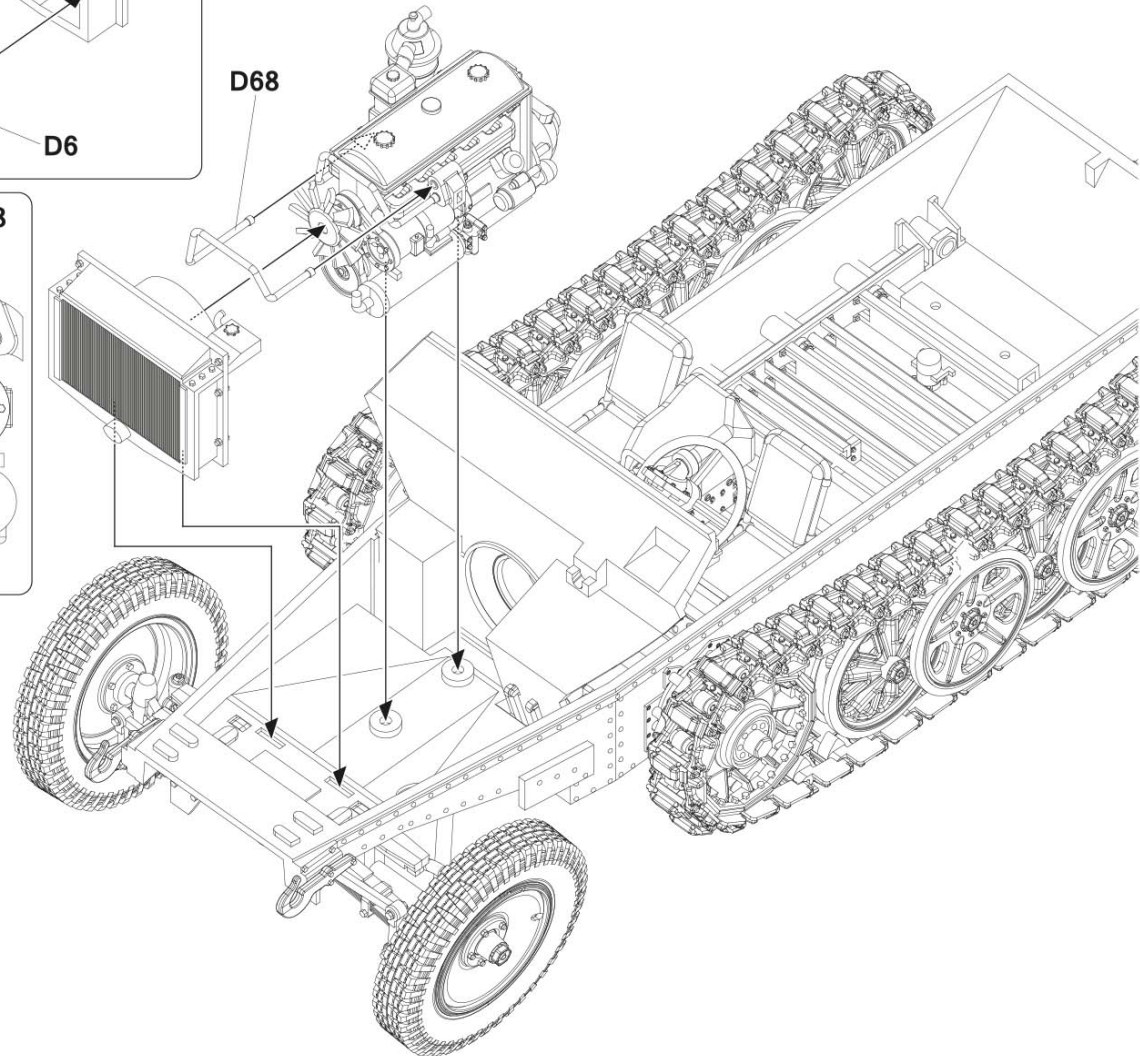
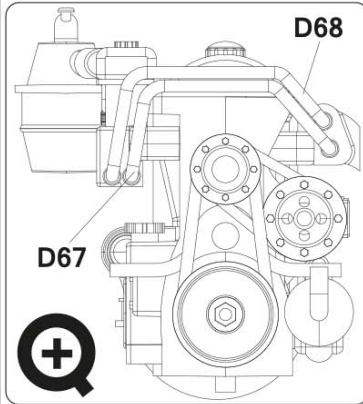
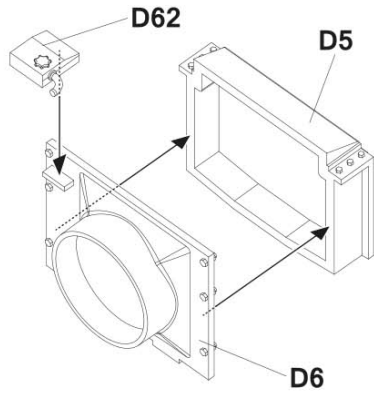


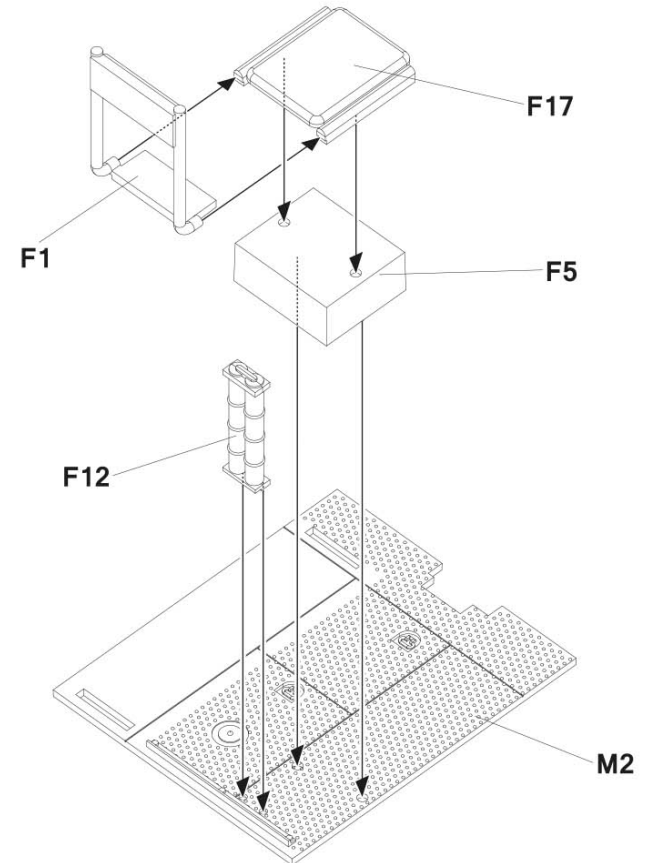
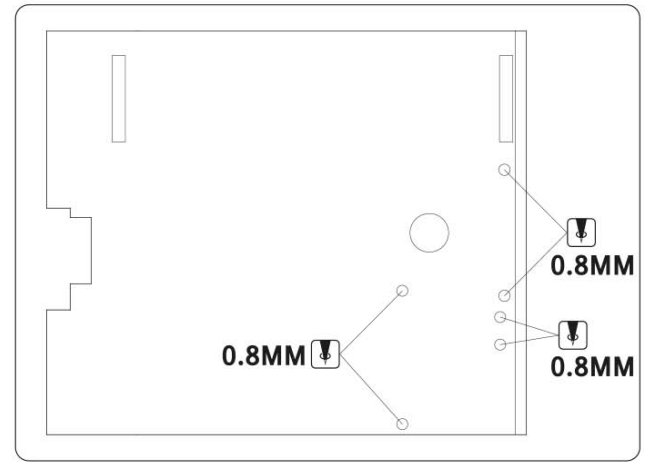
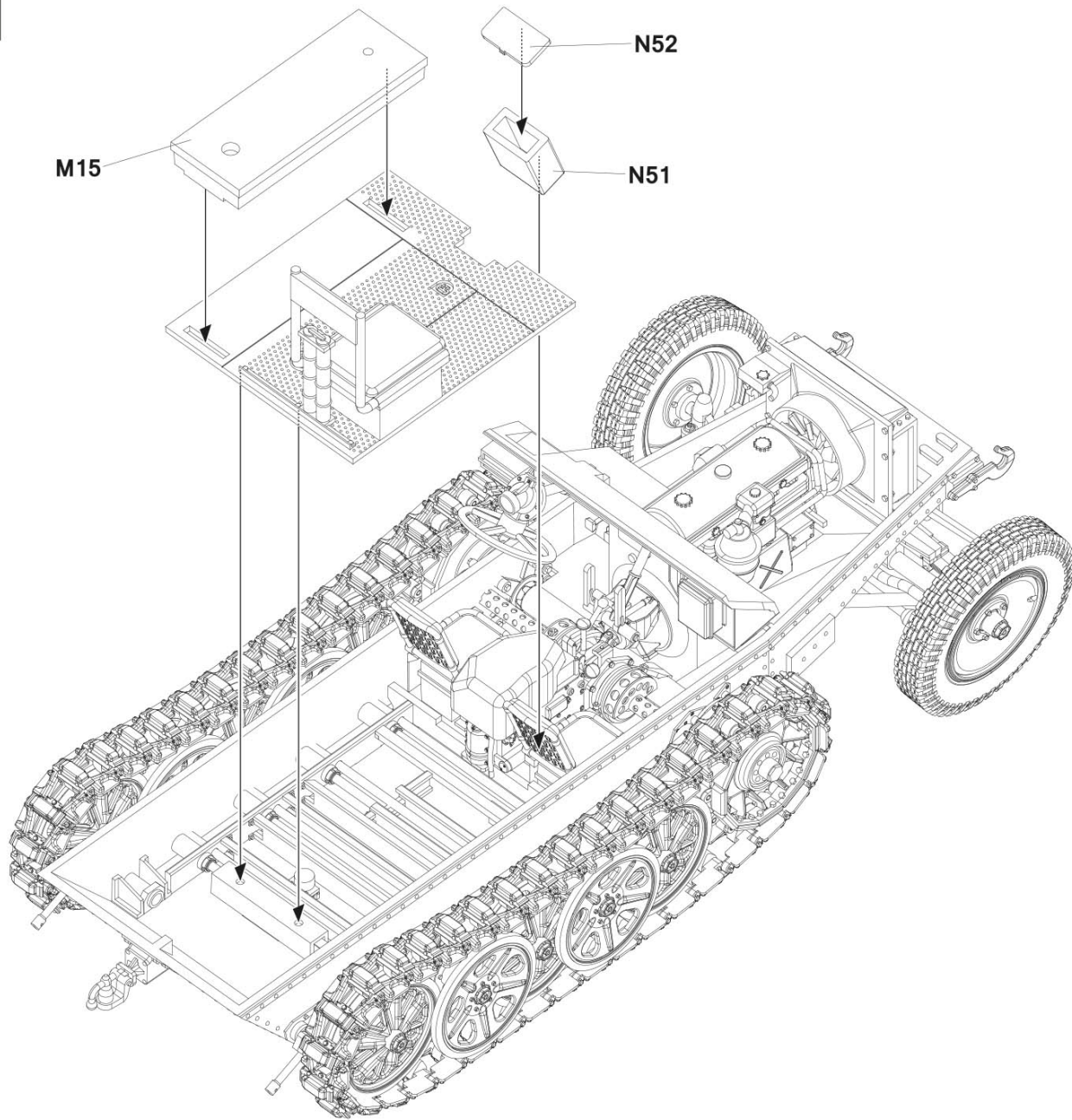
**11****12**

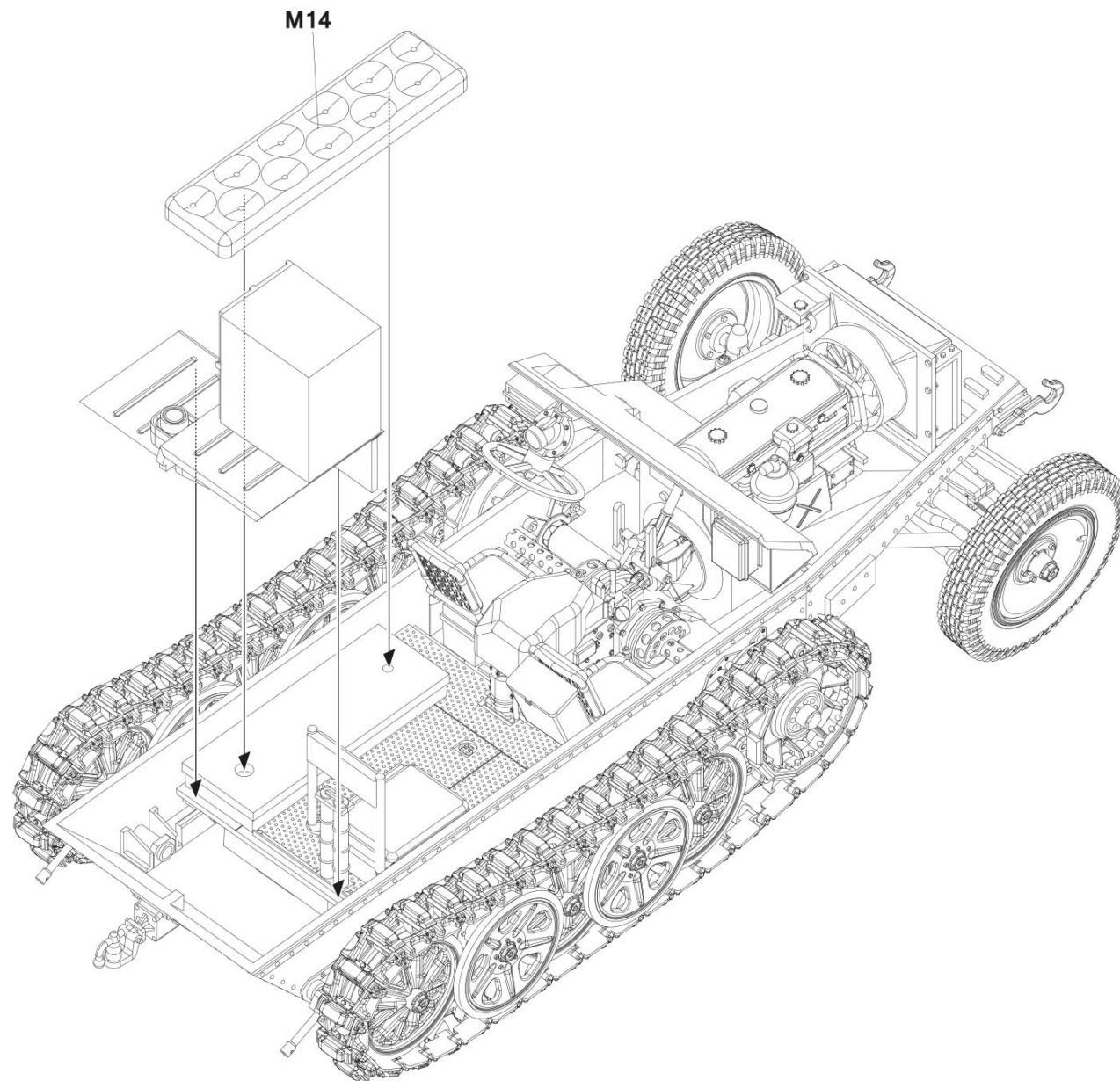
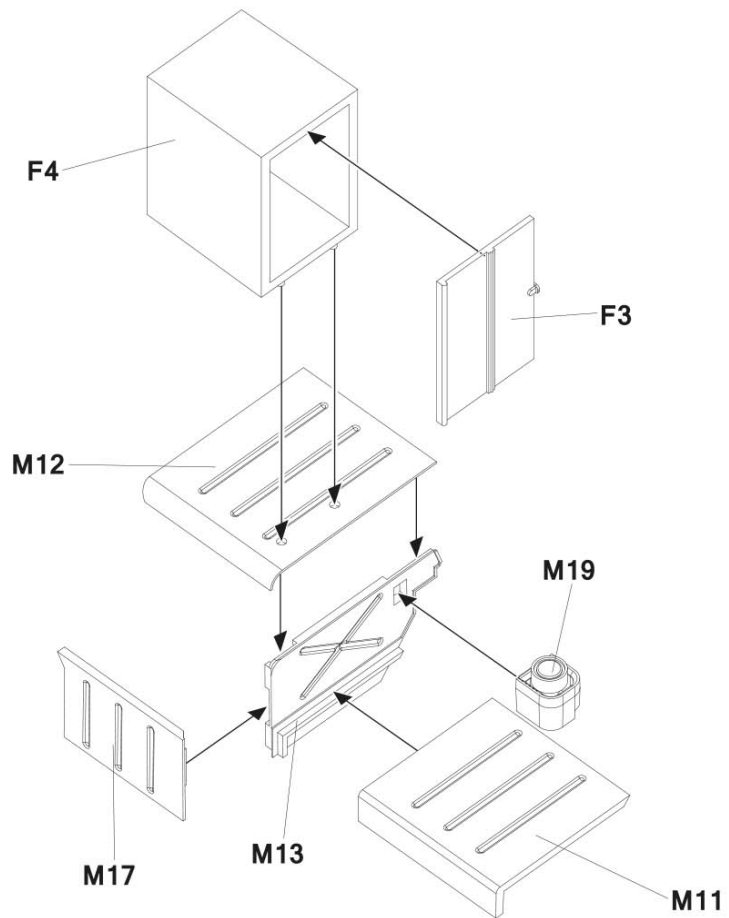
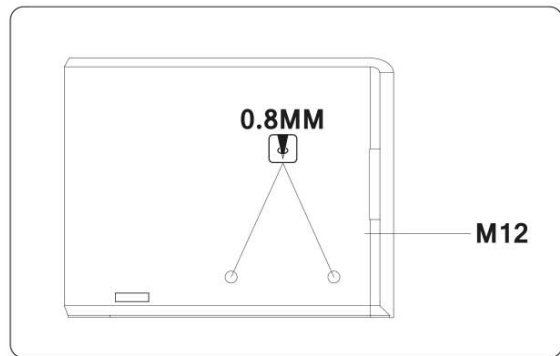
13



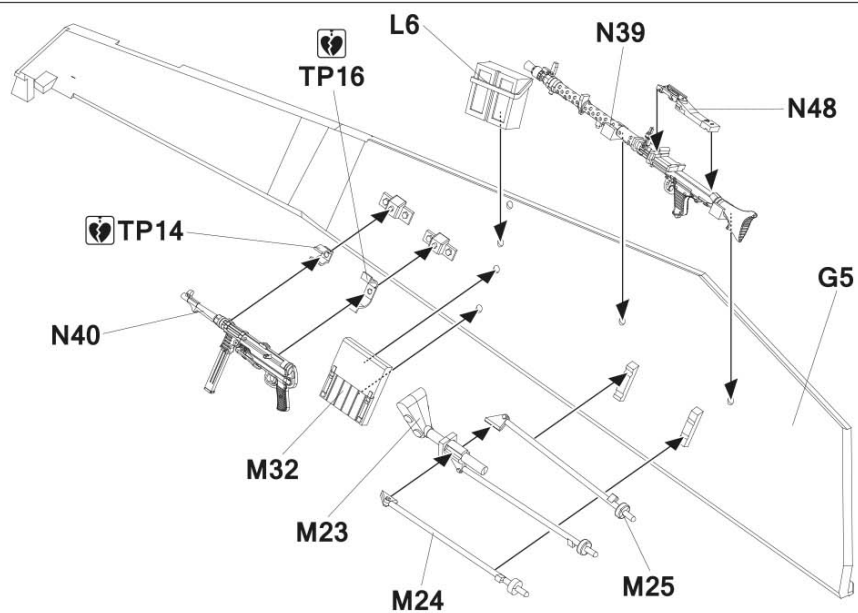
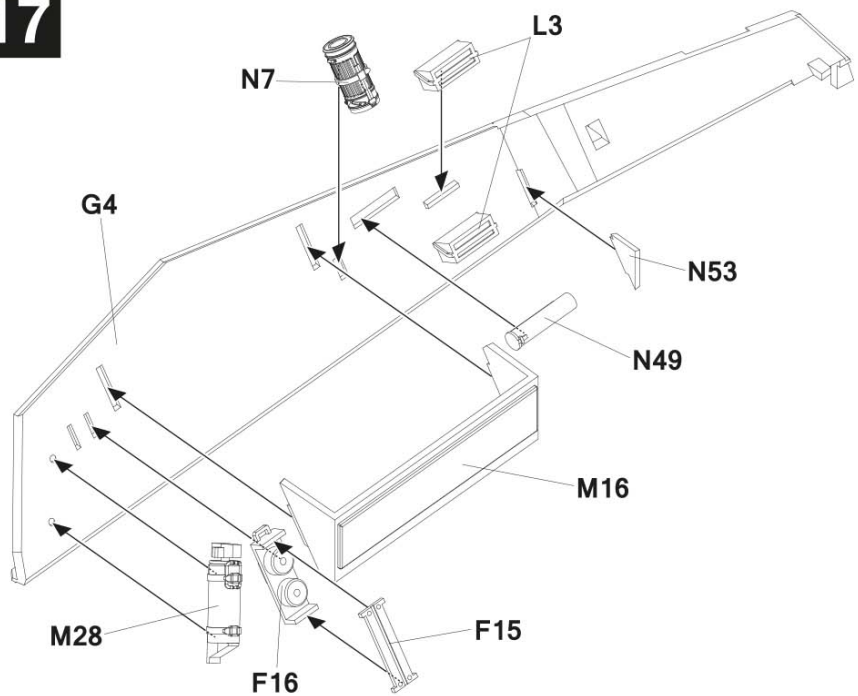
14



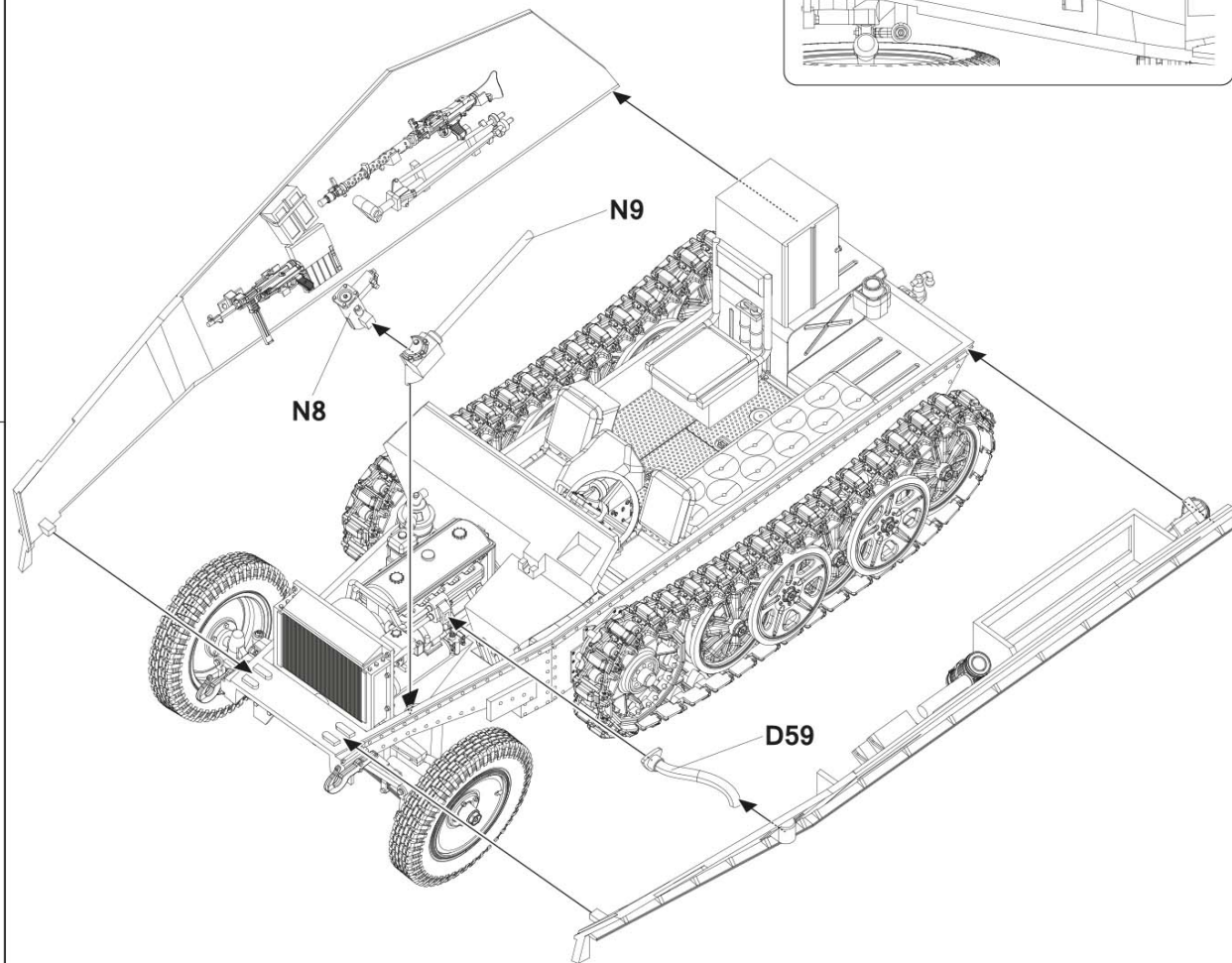


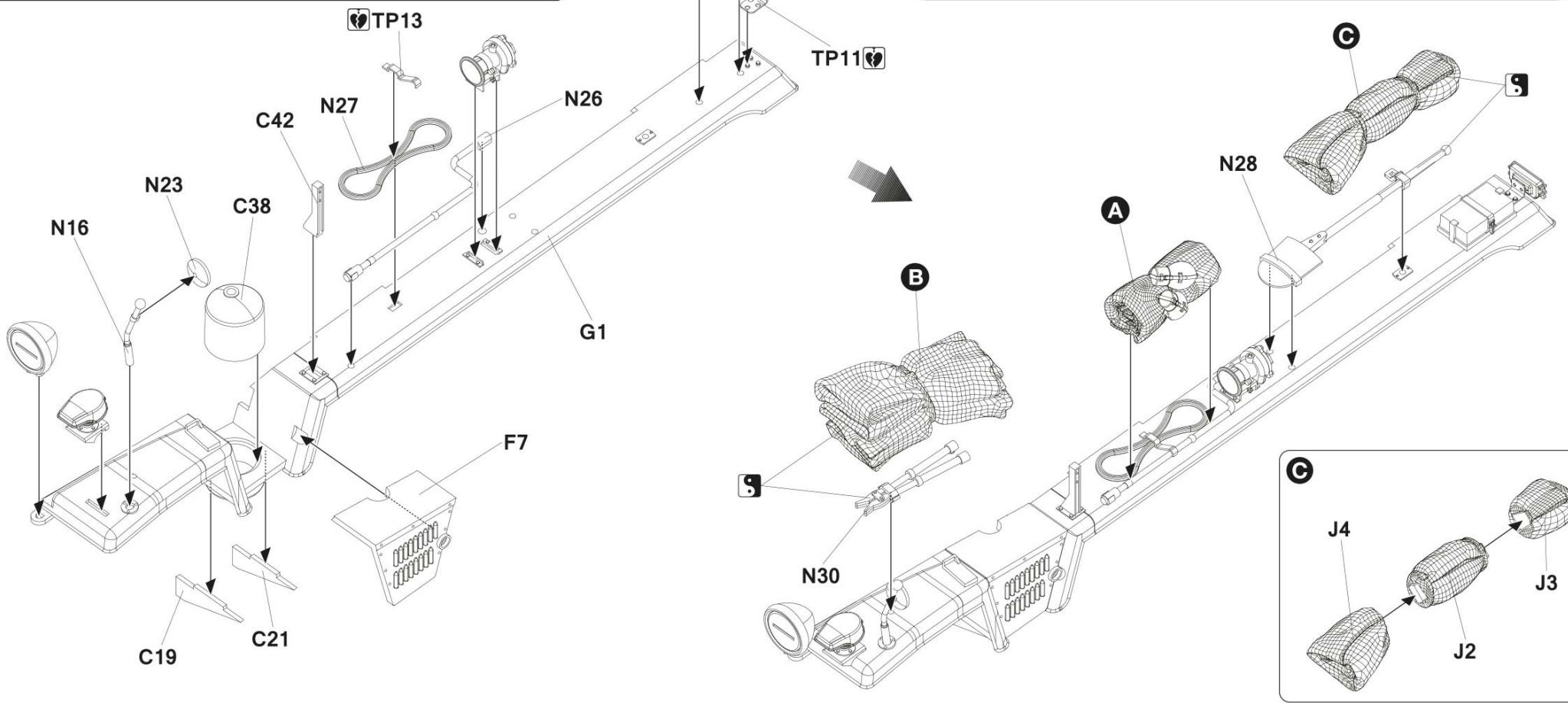
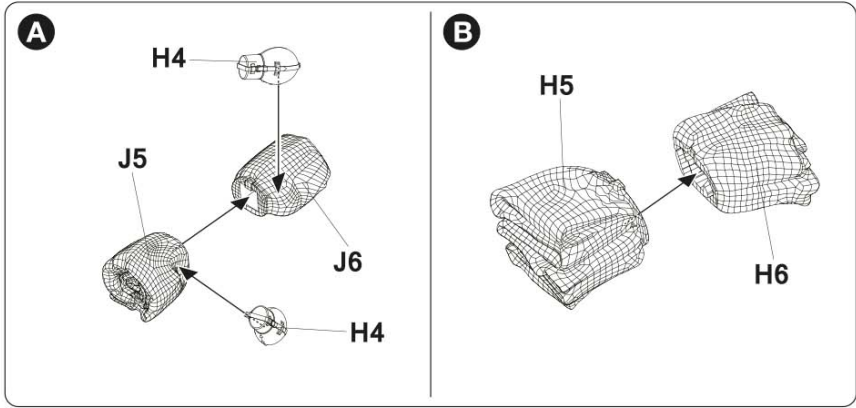
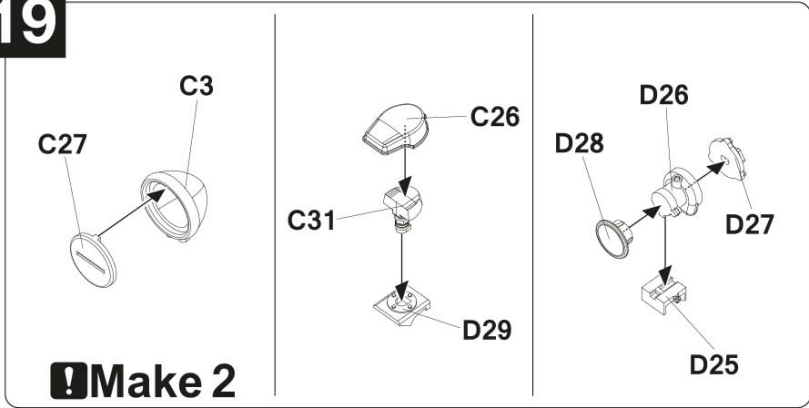


17

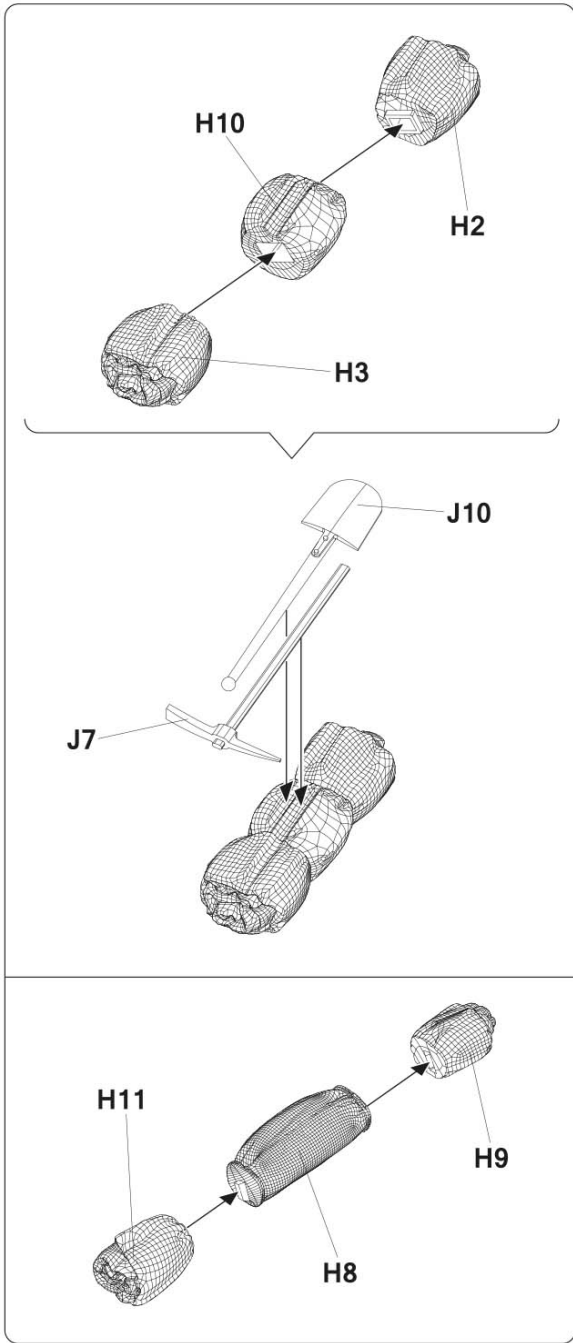
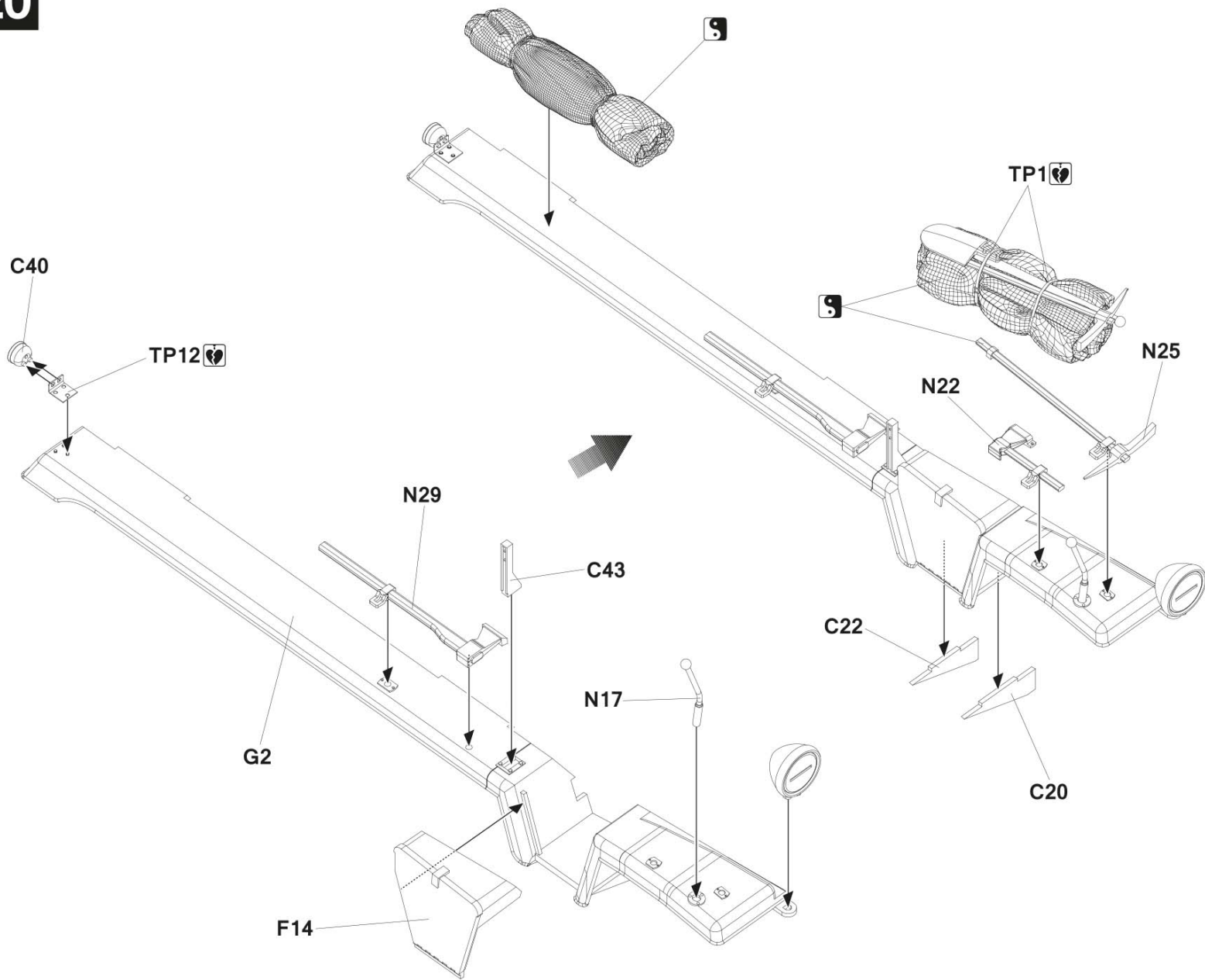


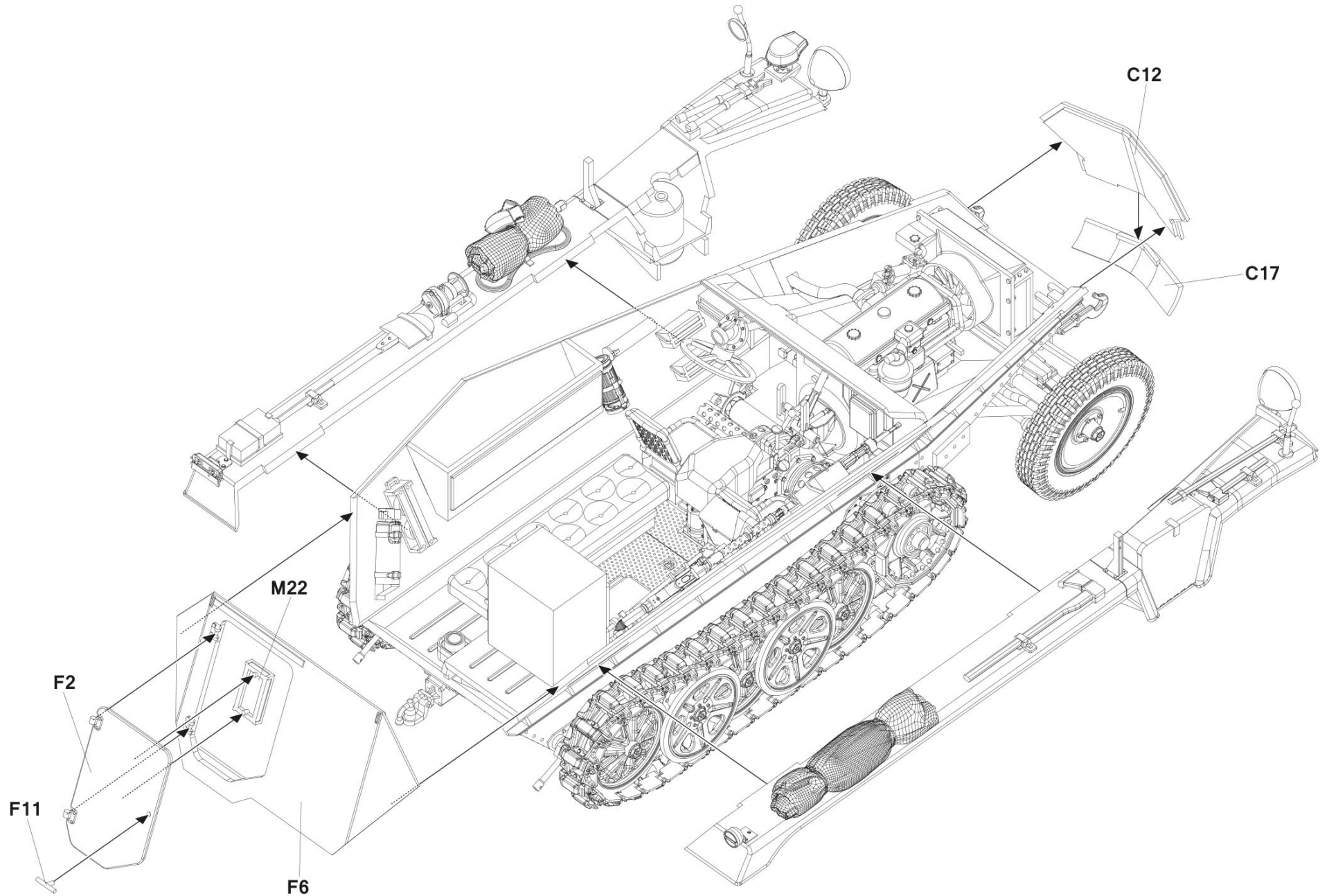
18



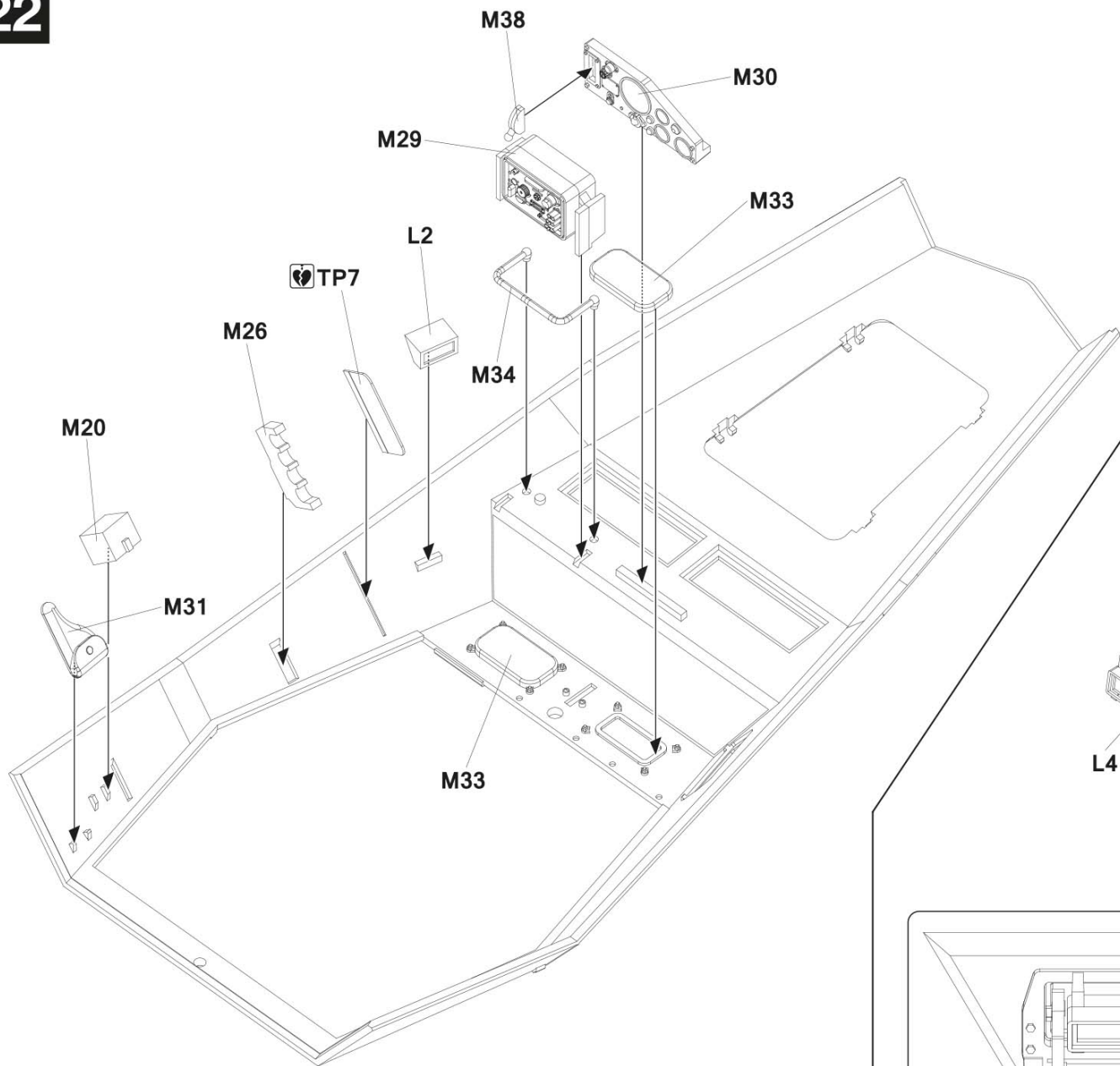




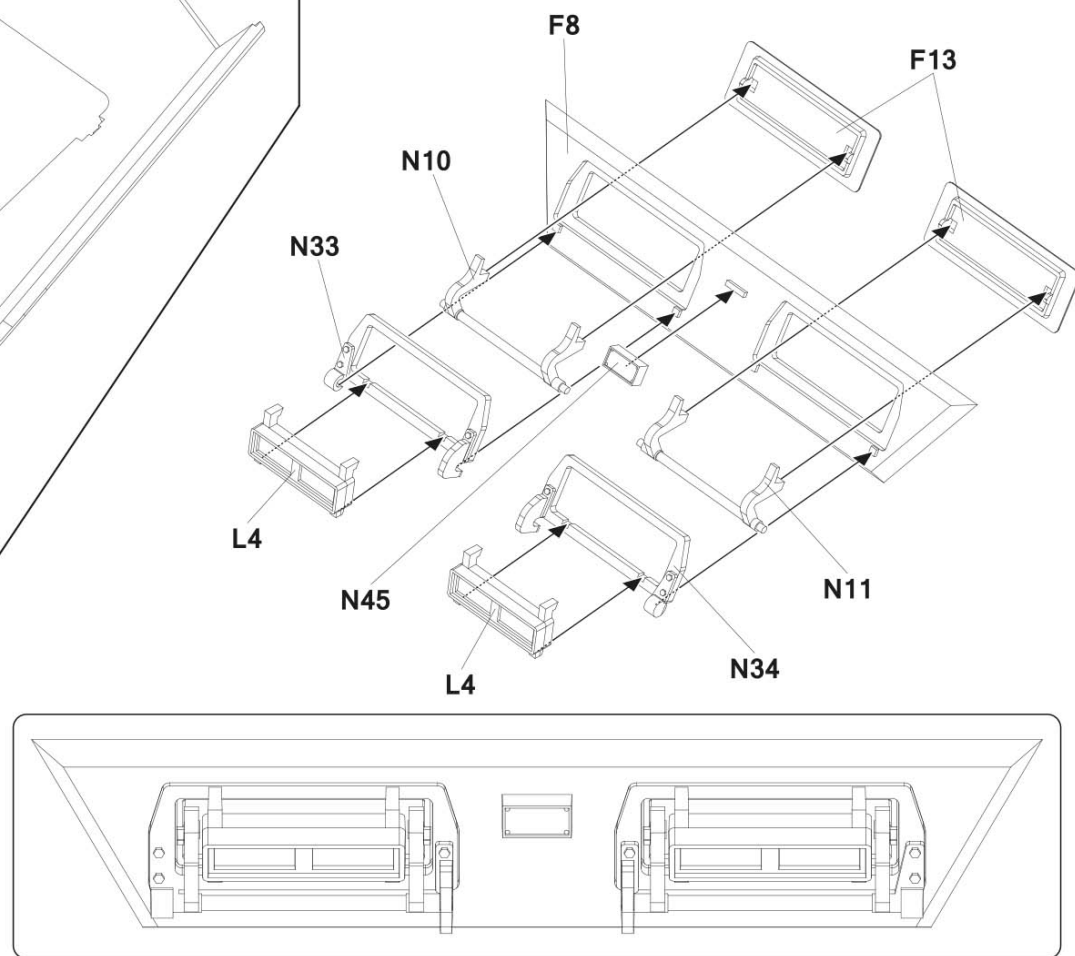
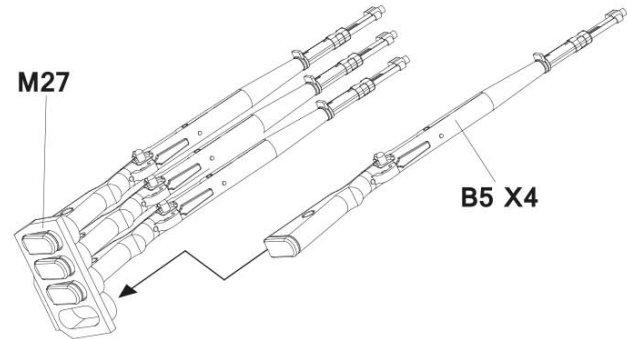




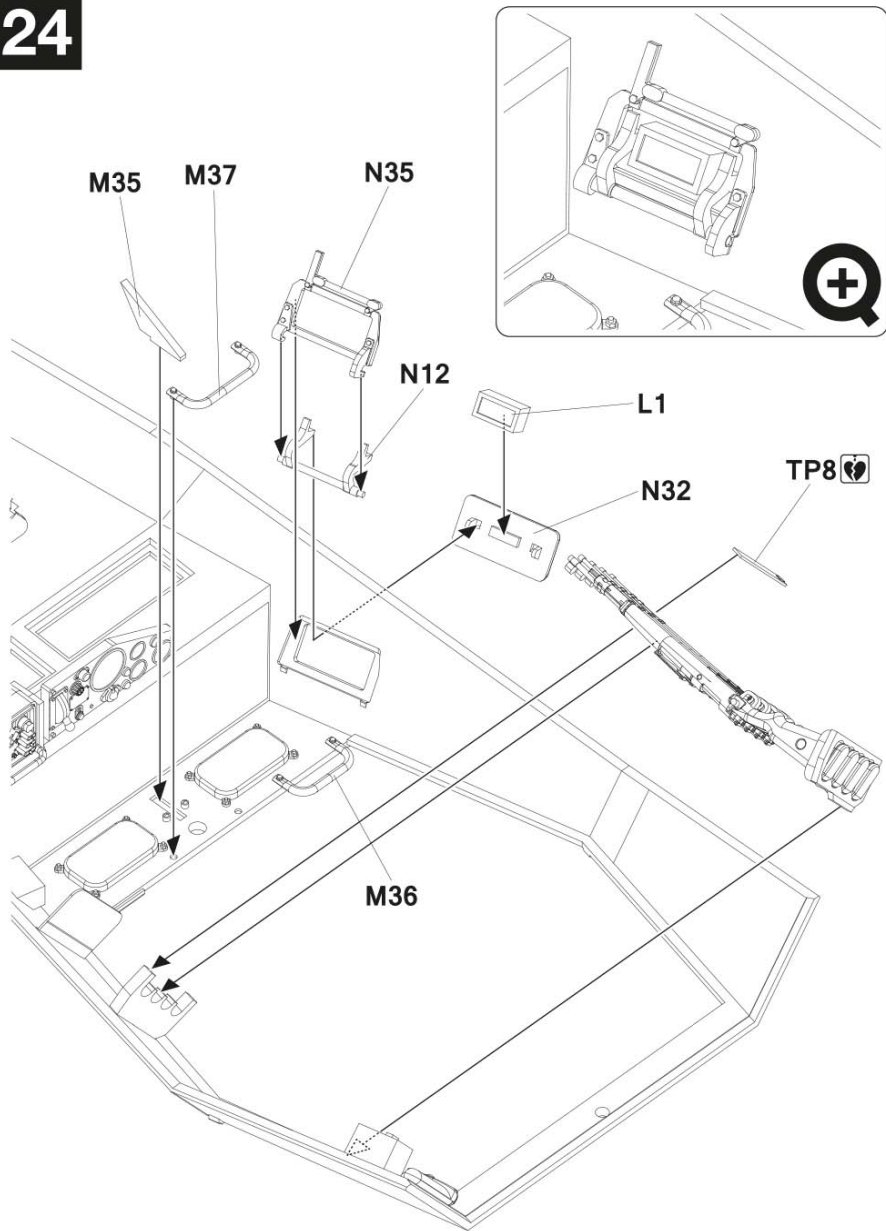
22



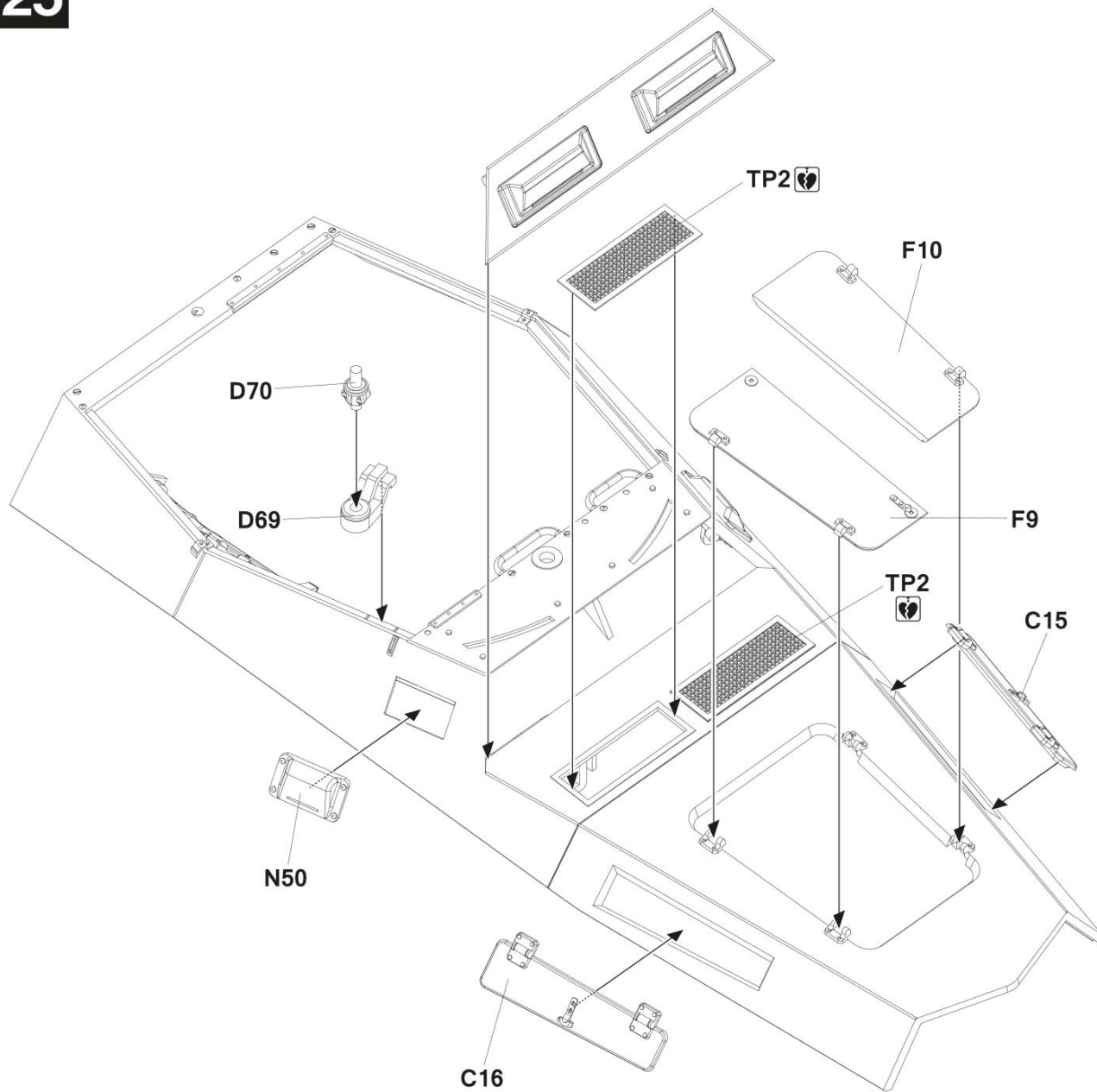
23

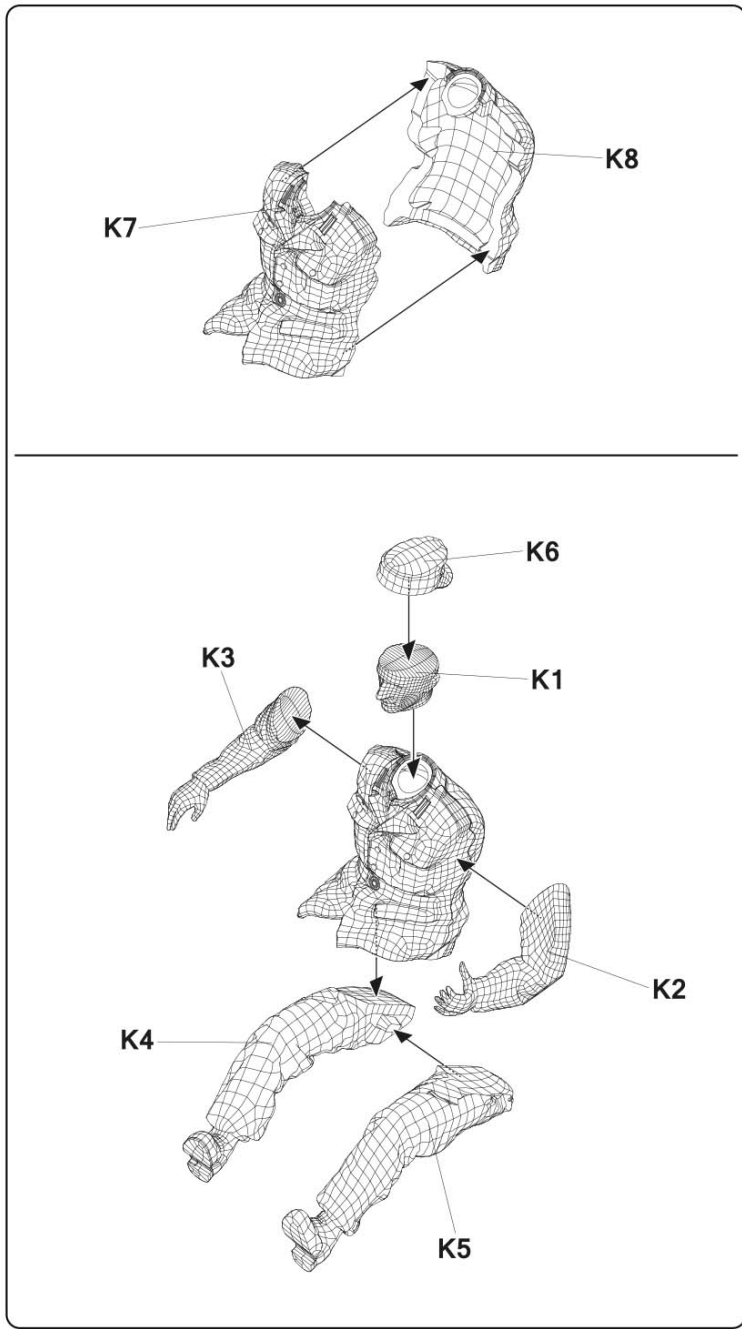
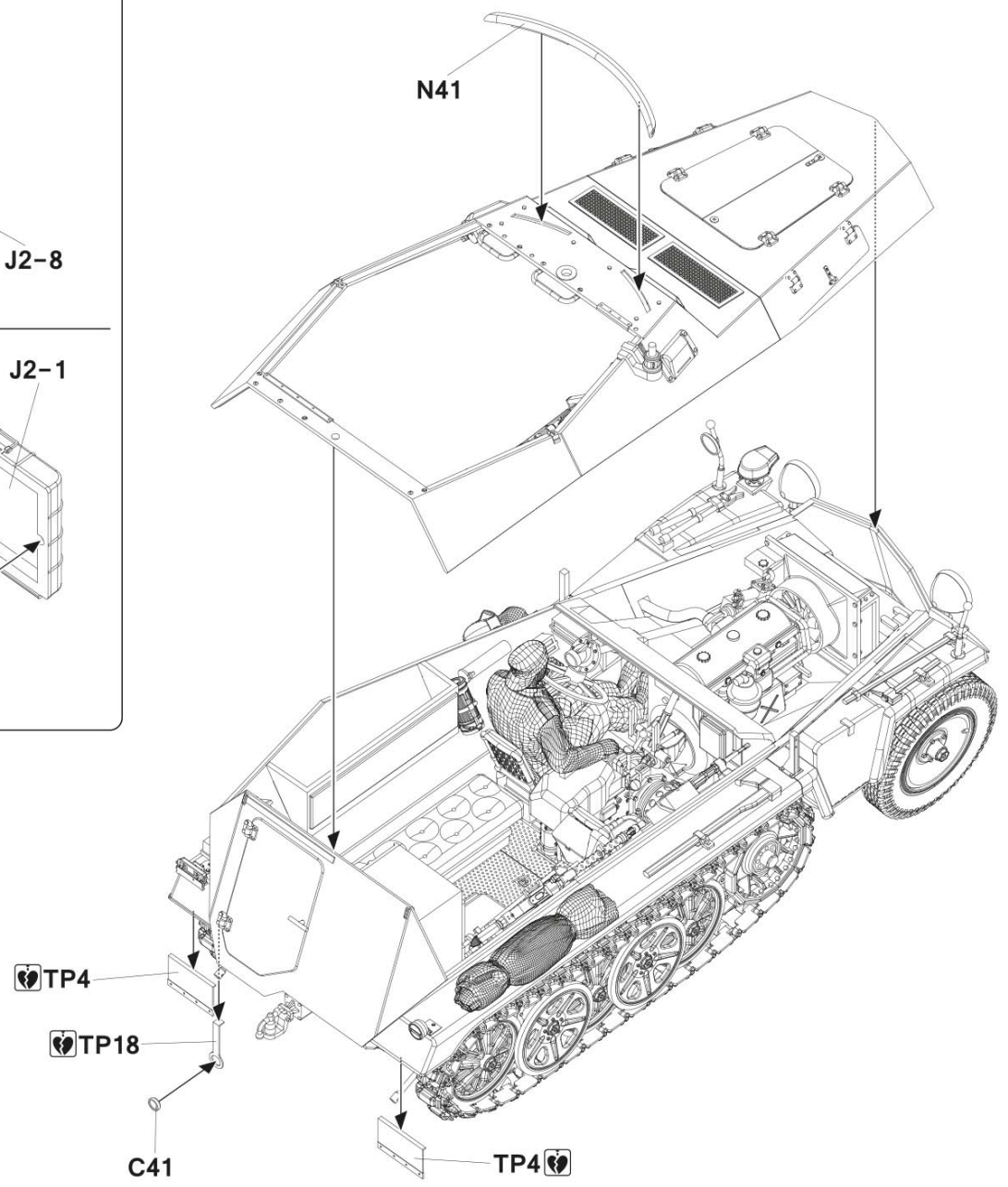
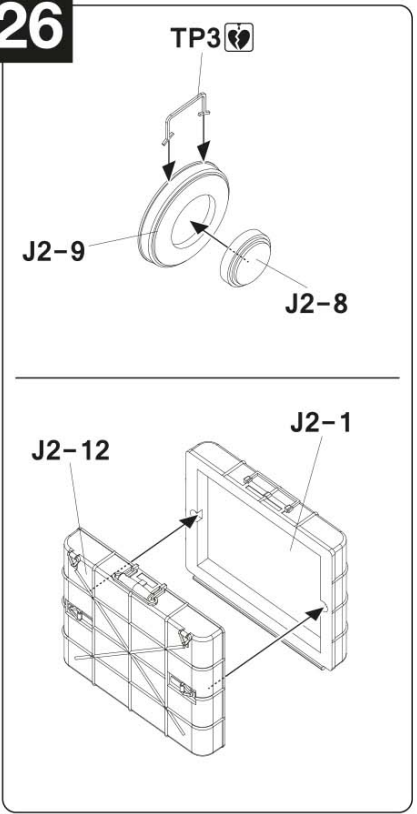


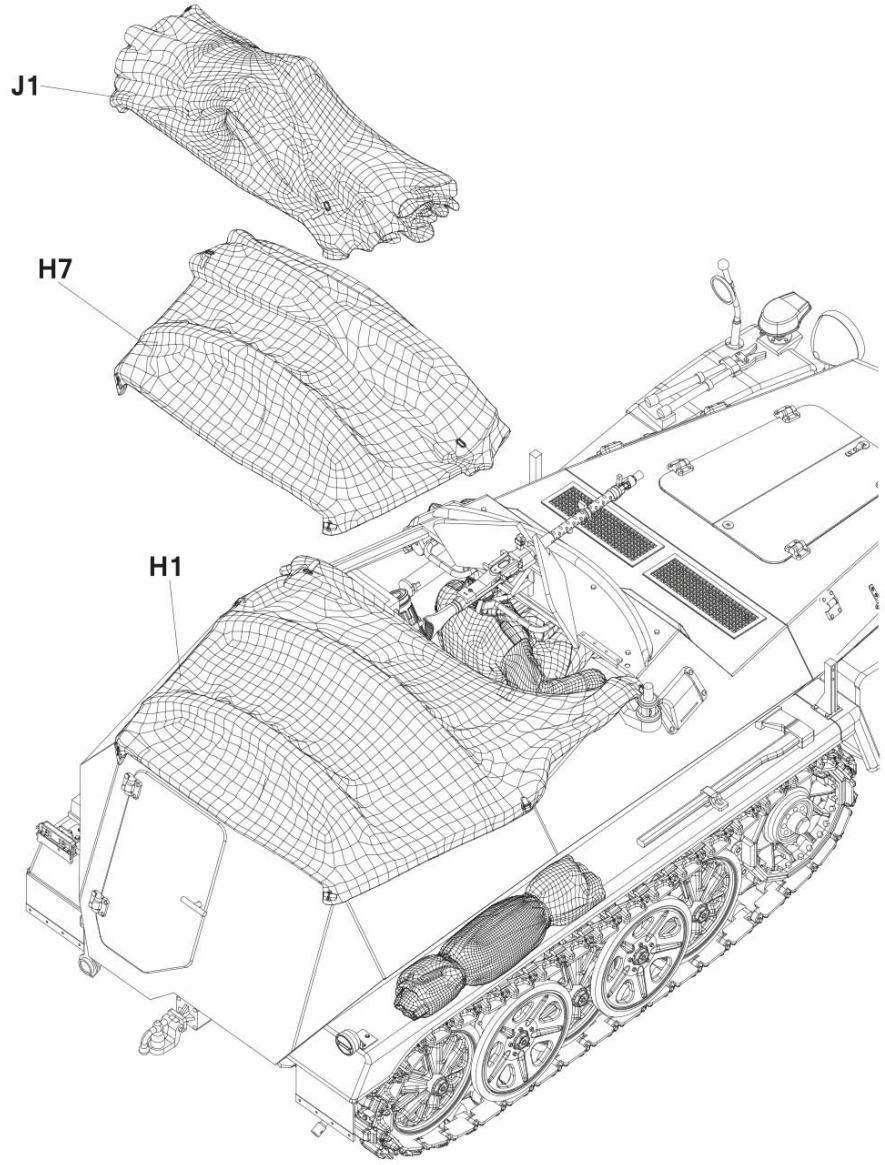
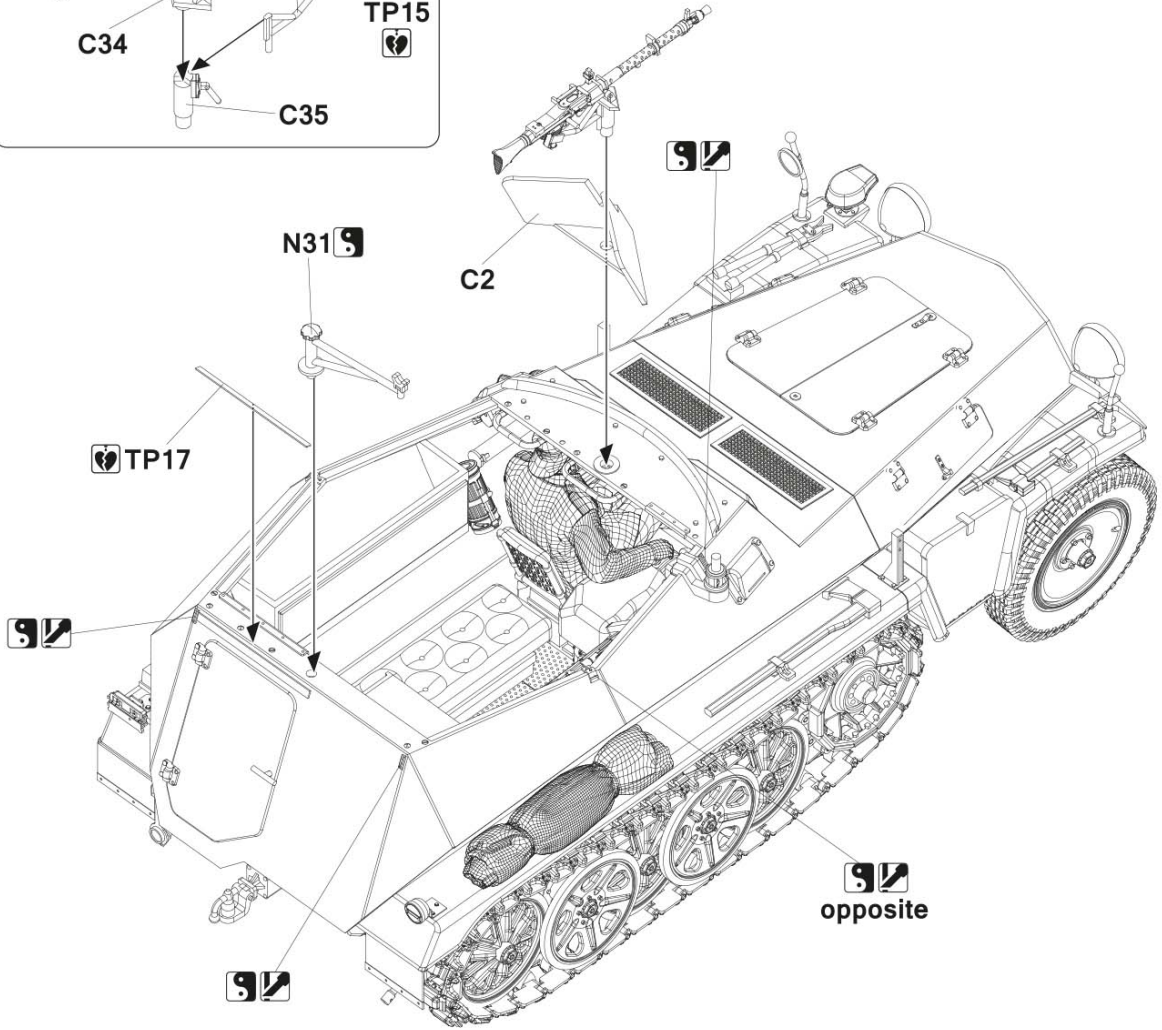
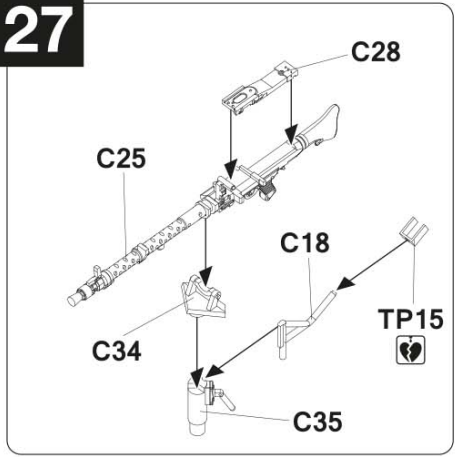
24



25







03-03.2184

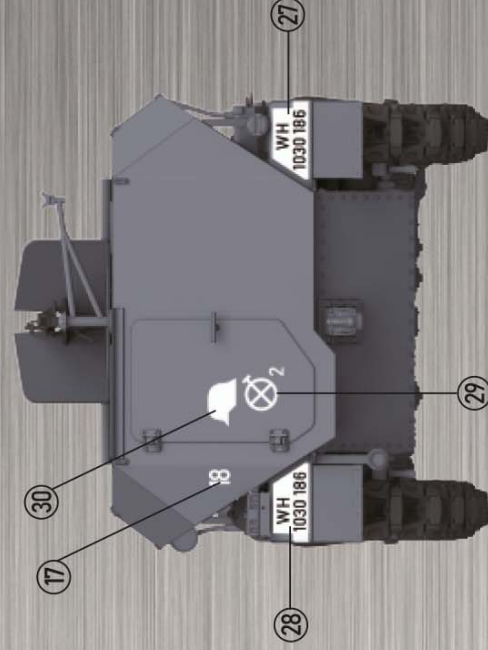
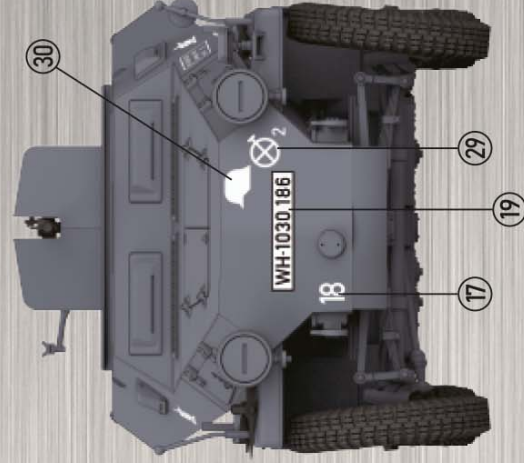
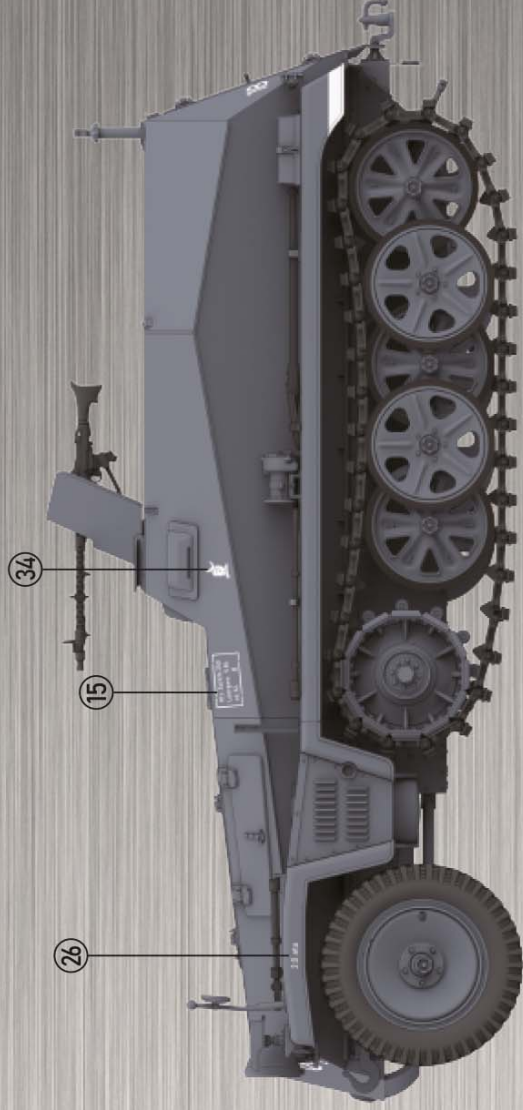
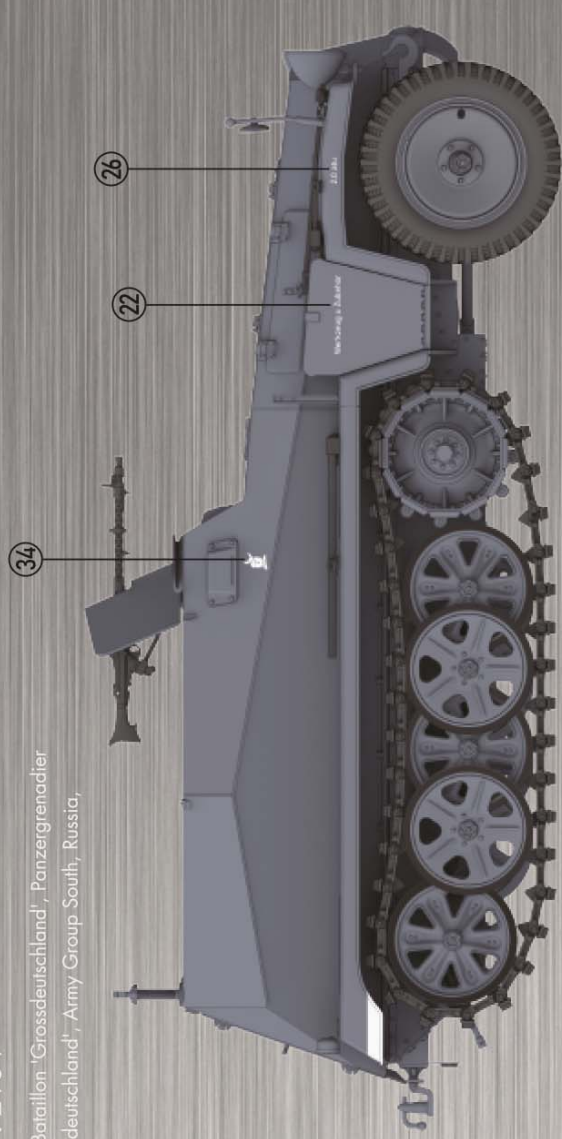


# Sd.Kfz. 250/1

Painting and Marking Guide

**TAKOM** N°: 2184

Kradschützen-Bataillon 'Grossdeutschland', Panzergrenadier  
Division 'Grossdeutschland', Army Group South, Russia,  
Summer 1942



03-03.2184

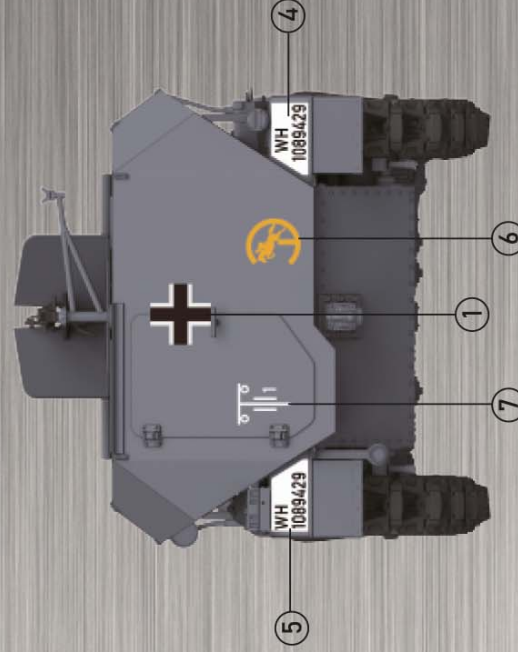
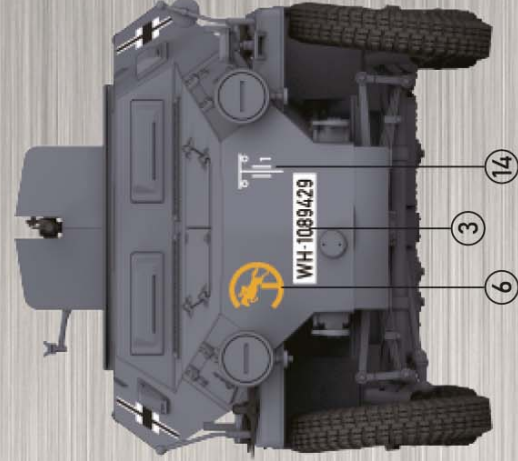
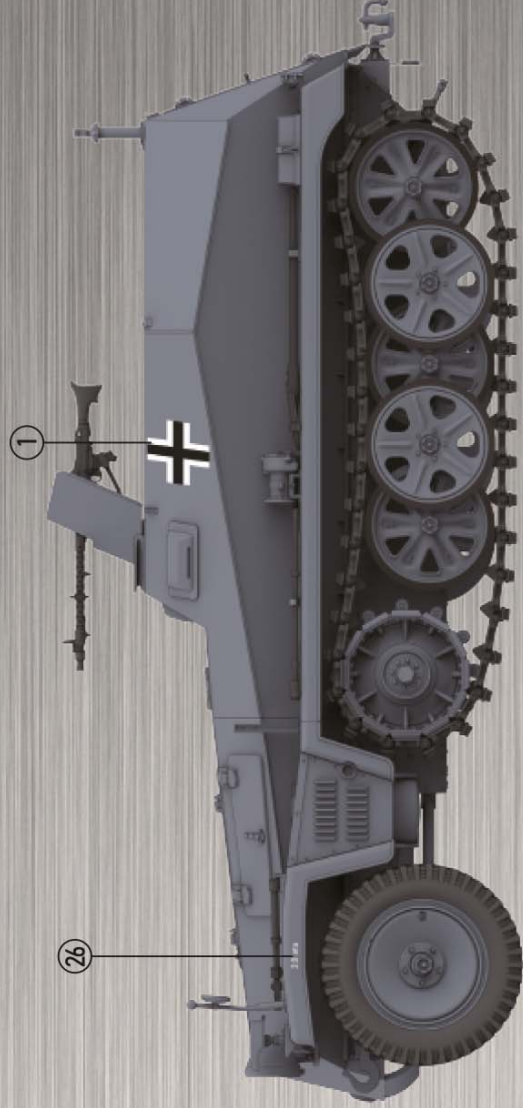
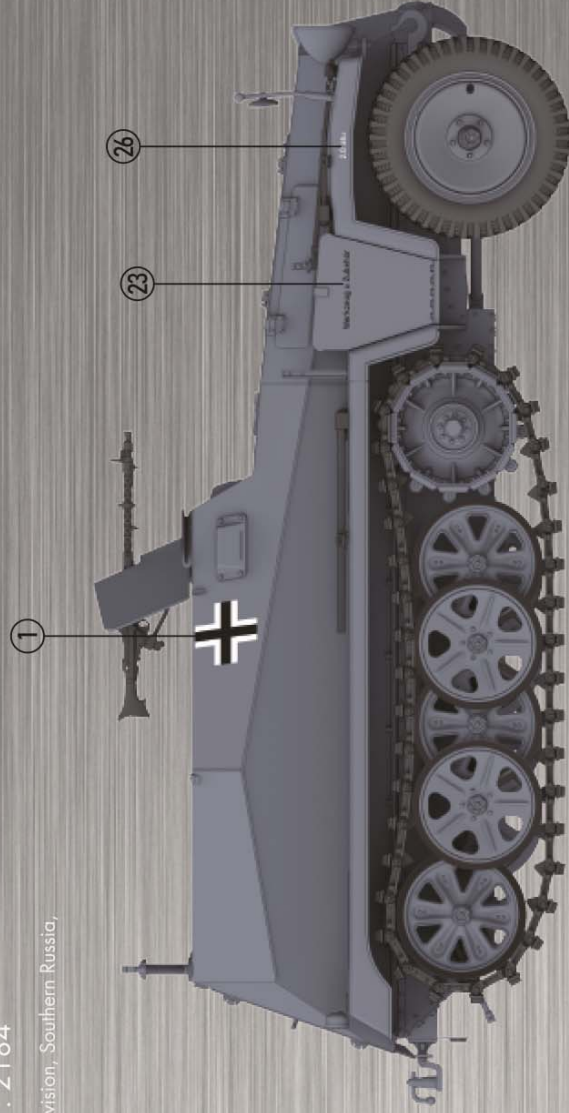


# Sd.Kfz. 250/1

Painting and Marking Guide

**TAKOM** N°: 2184

24th Panzer Division, Southern Russia,  
Summer 1942





03-03-2184

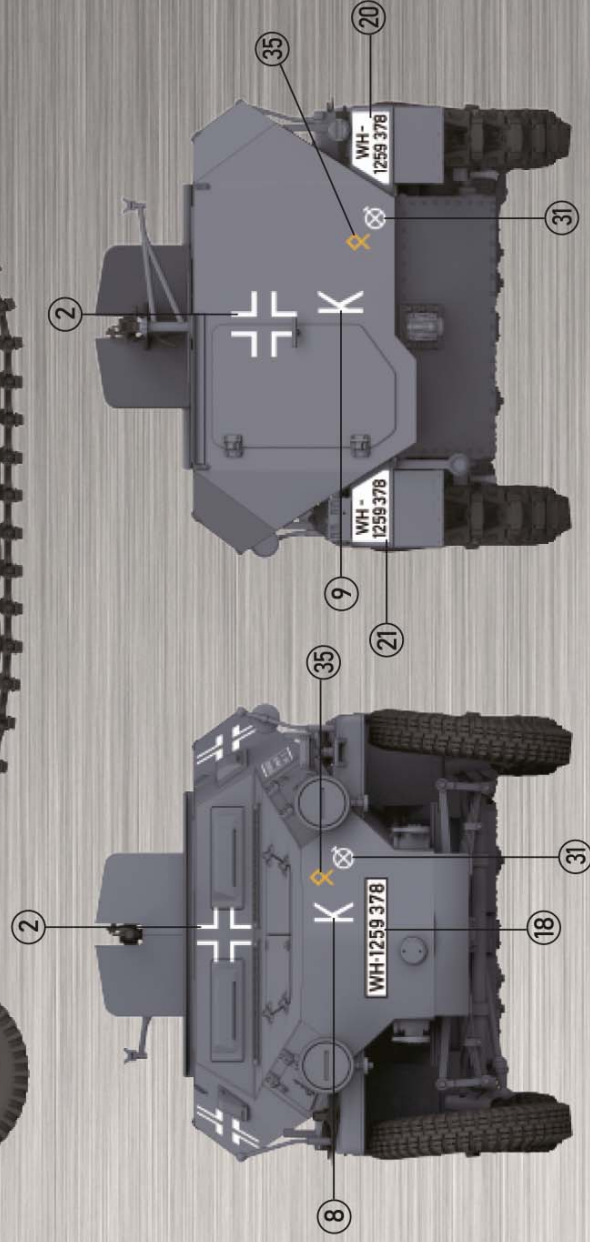
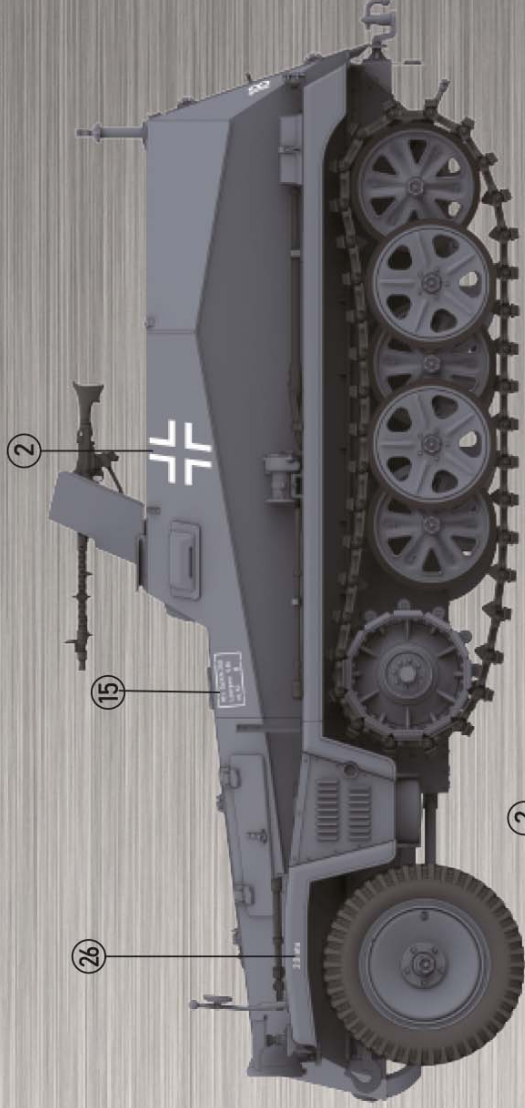
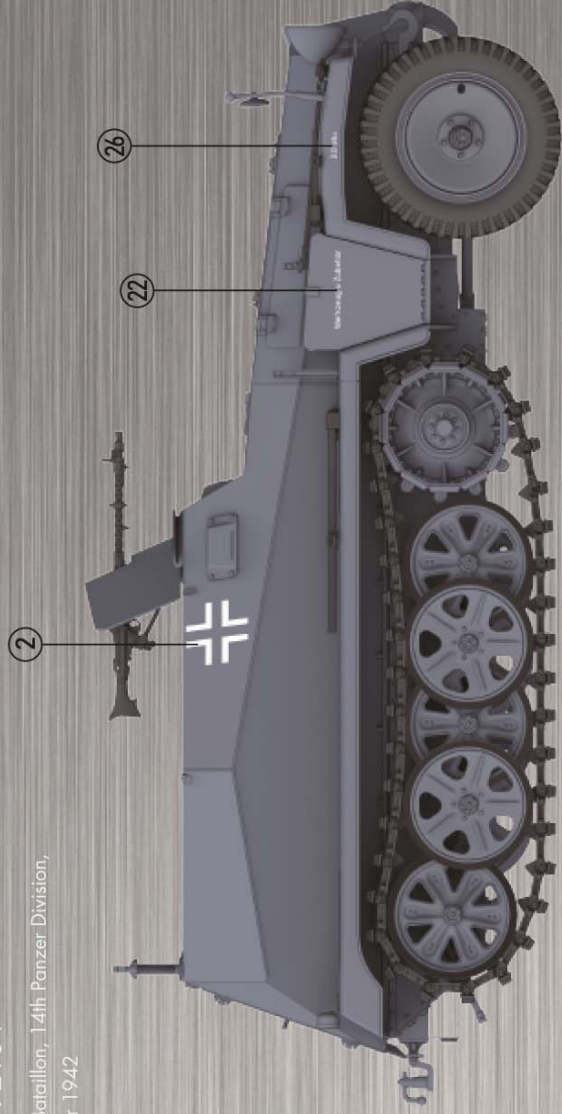


# Sd.Kfz. 250/1

Painting and Marking Guide

**TAKOM** N°: 2184

Kreischützen-Battalion, 14th Panzer Division,  
Russia, Summer 1942



03-03-2184

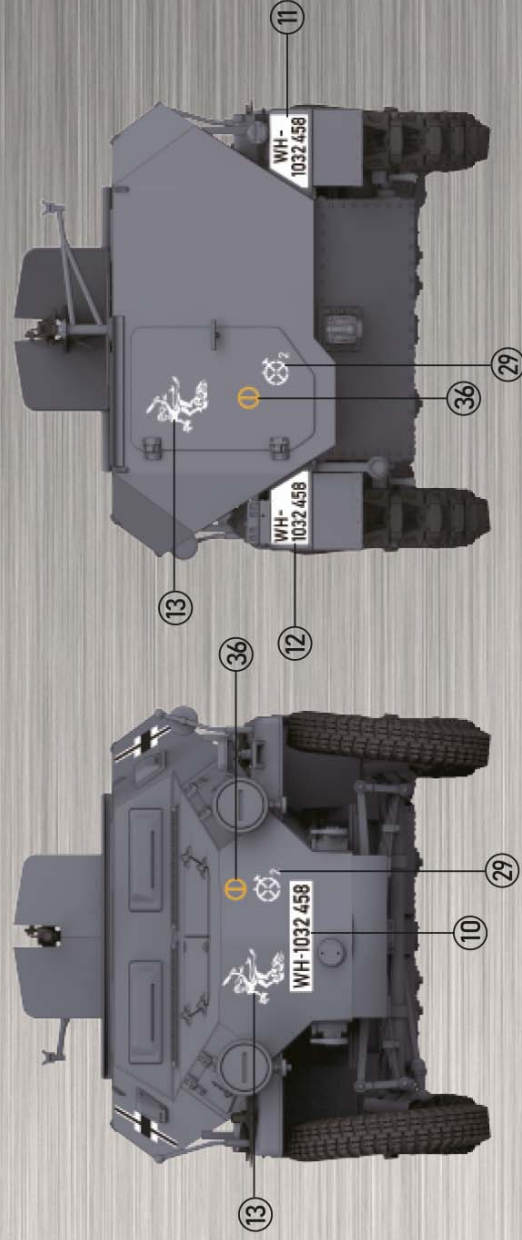
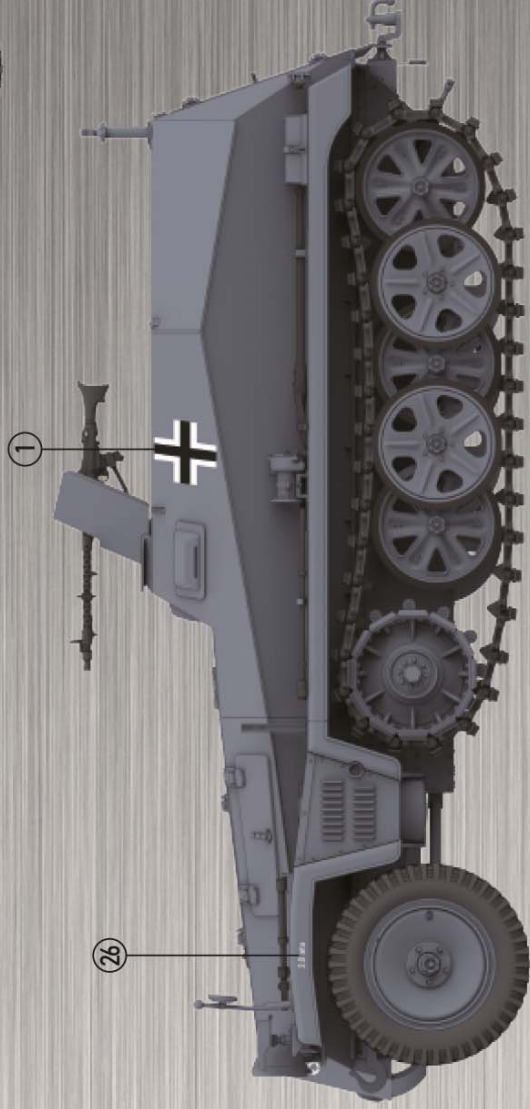
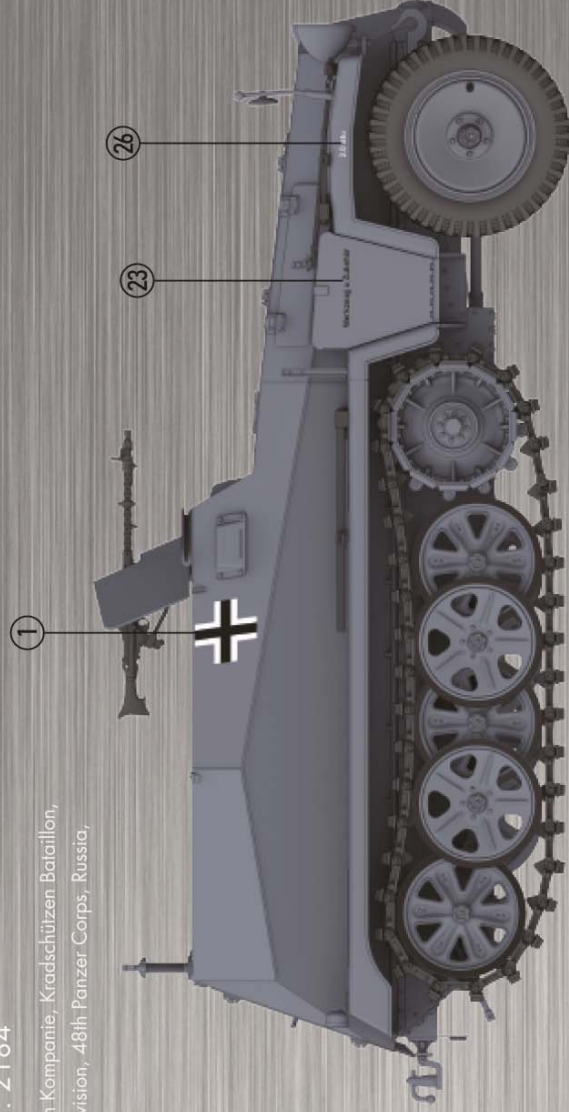


# Sd.Kfz. 250/1

Painting and Marking Guide

**TAKOM** N°: 2184

leichte Schützen-Kompanie, Kradschützen Bataillon,  
11th Panzer Division, 48th Panzer Corps, Russia,  
Summer 1942



03-03-2184

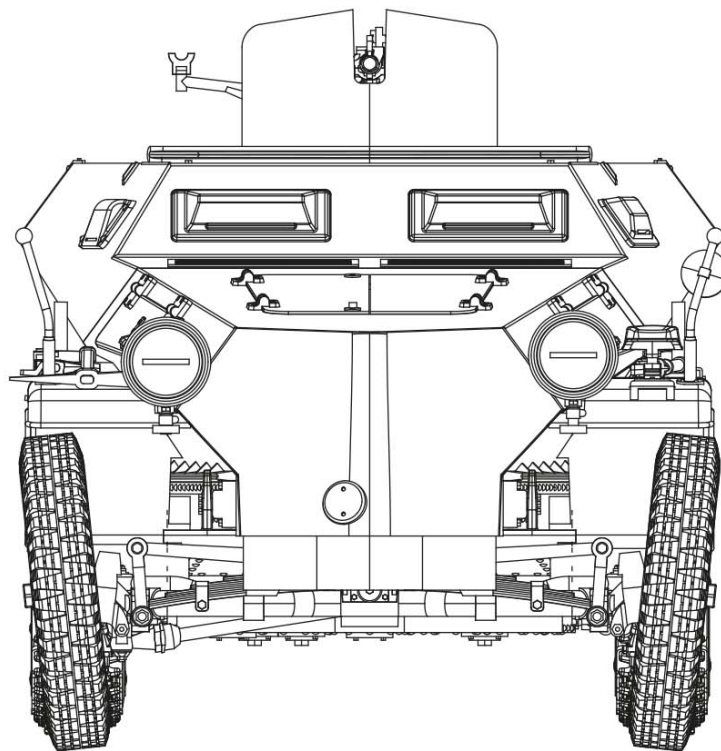


# Sd.Kfz. 250/1

Painting and Marking Guide

TAKOM N°: 2184





You can find TAKOM on Facebook.com