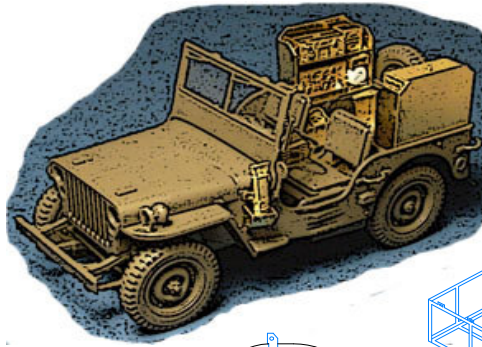


SCR-193 U.S. WWII radio set and bracket + stowage rack

+ workable leaf springs

for WWII U.S. 1/4 ton 4x4 truck



GM35006

(AVM35002 + AVM35005 + VMD35000)

UPDATED level "a" 18-April-2011

for Tamiya kit

1/35 scale photoetched set

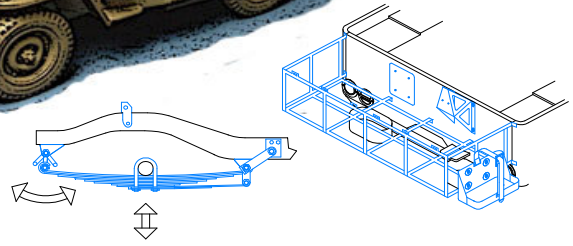
for advanced modelers

minor

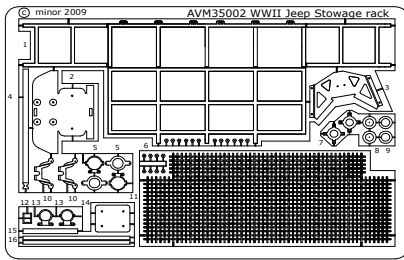
Made in Spain 2011

www.minor-web.com

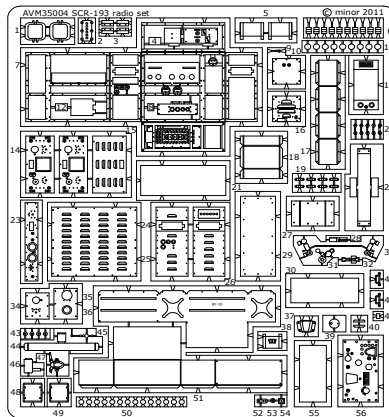
CAUTION This product contain small pieces, not suitable for childrens under 10 years



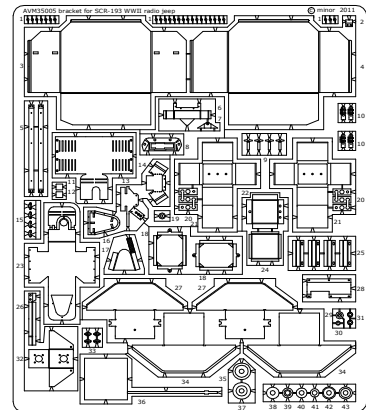
AVM35002 stowage rack



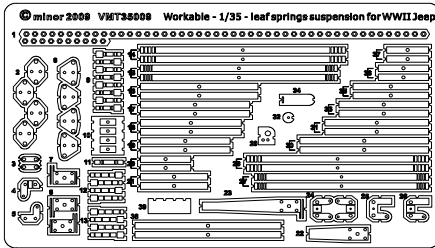
AVM35004 SCR-193



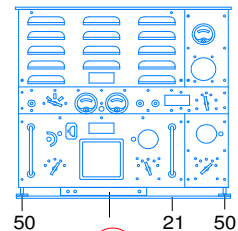
AVM35005 bracket



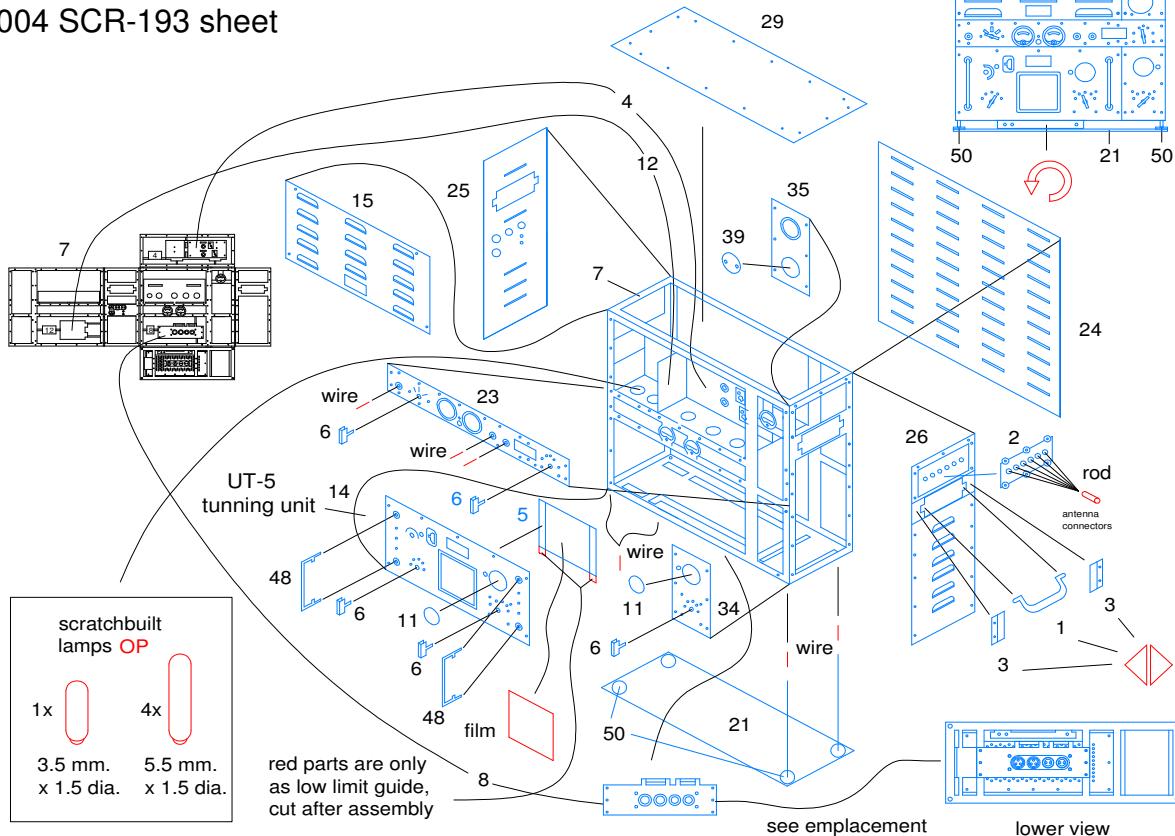
VMD35000 workable leaf springs

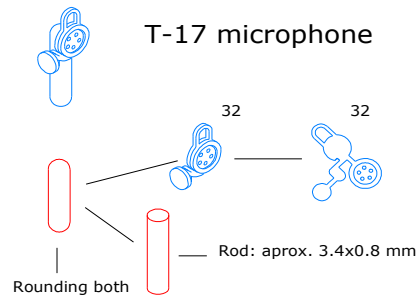
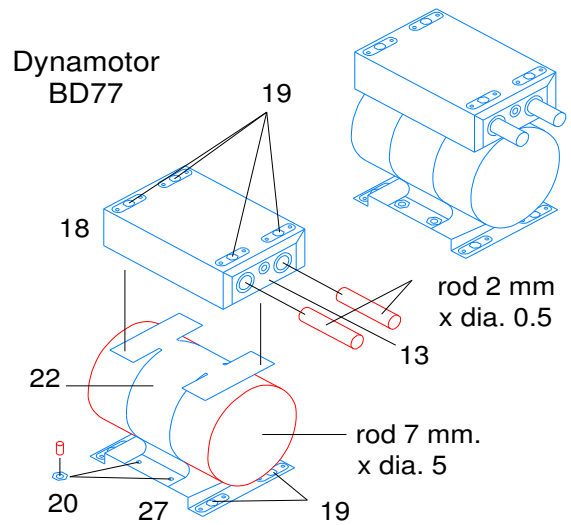
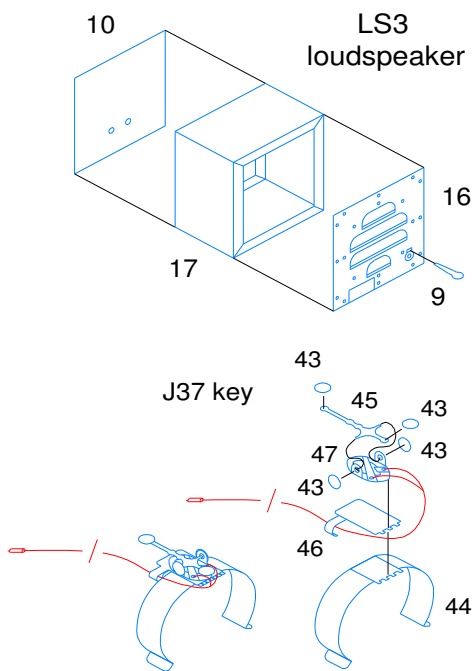
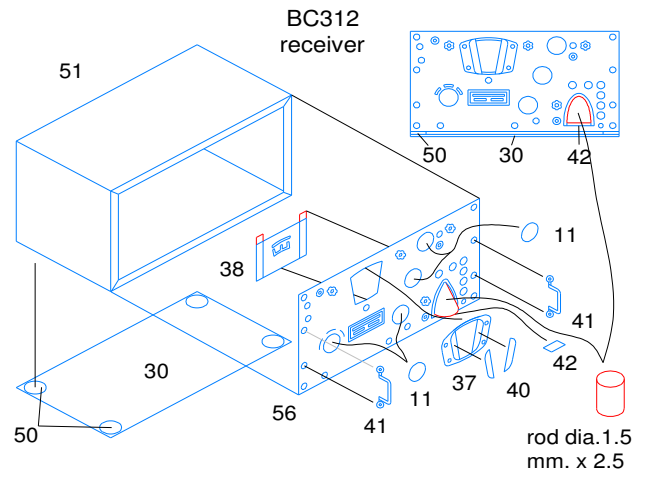
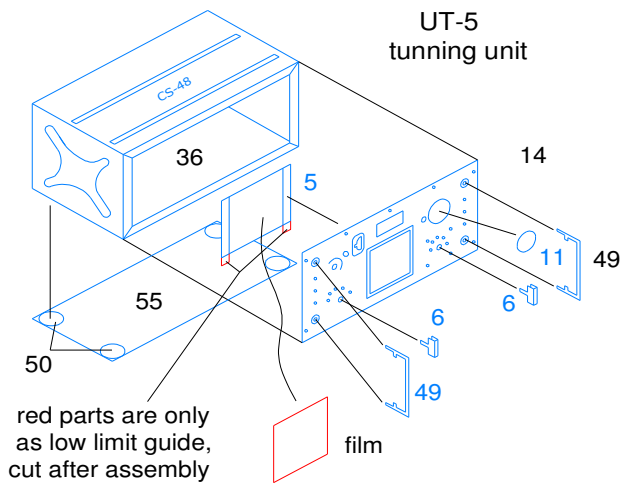


BC191 transmitter

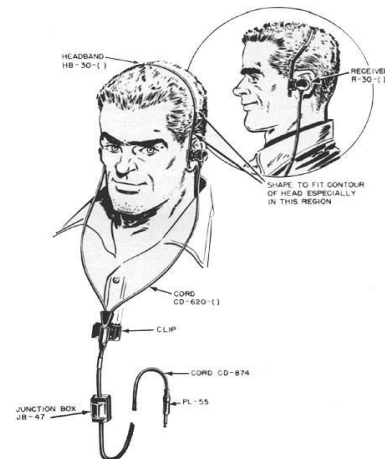
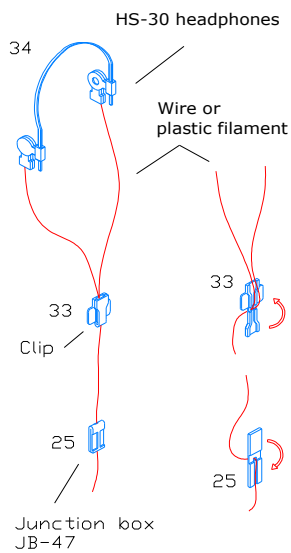


AVM35004 SCR-193 sheet

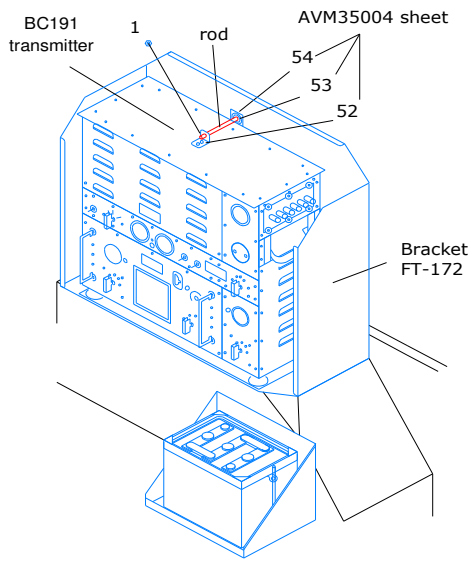
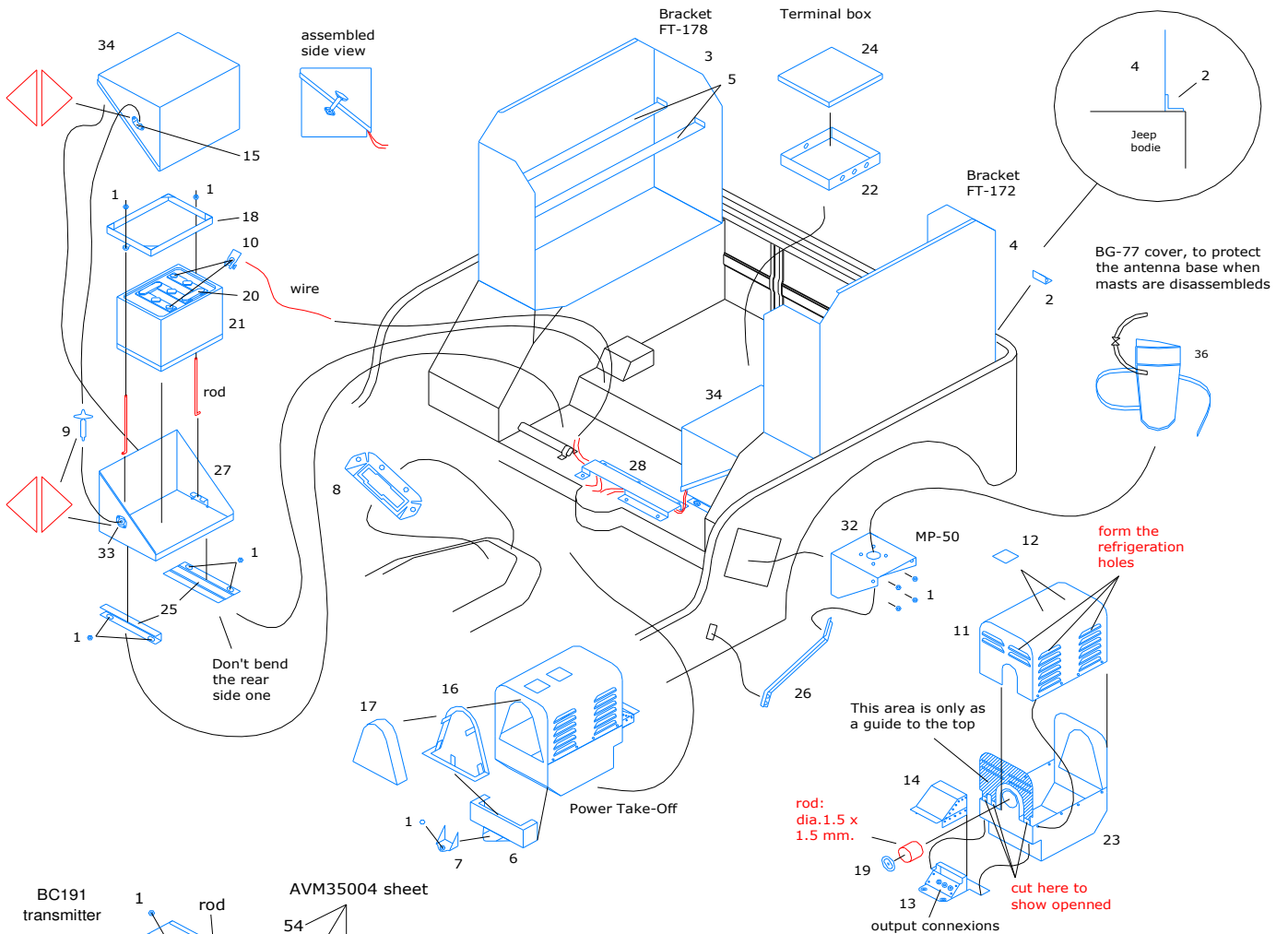




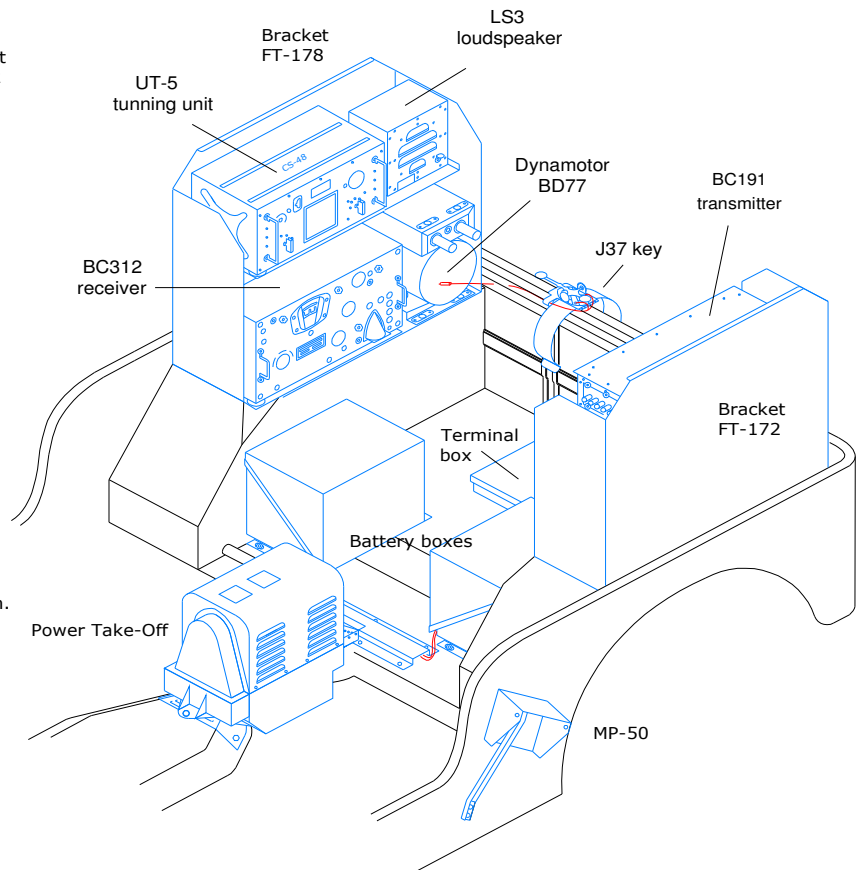
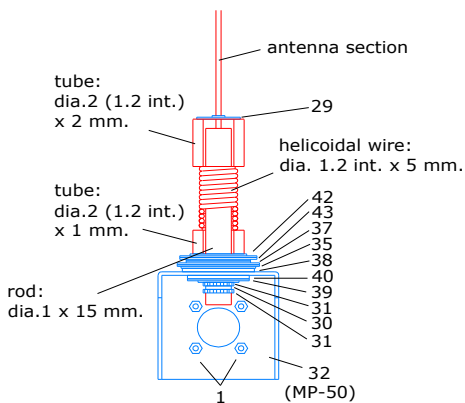
HS-30 headphones set



AVM35005 bracket sheet



SCRATCHBUILT MP-37 ANTENNA BASE



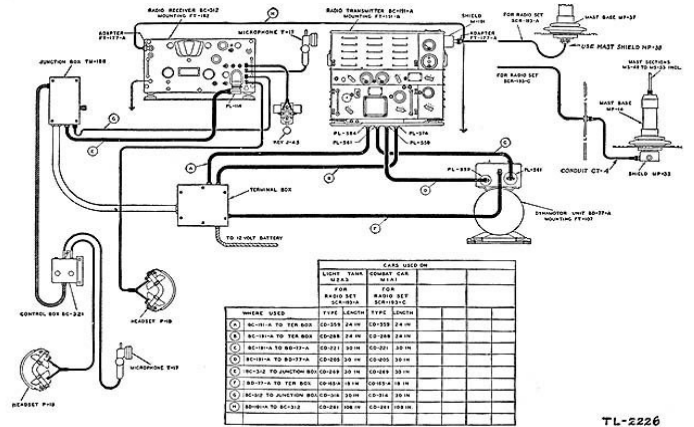
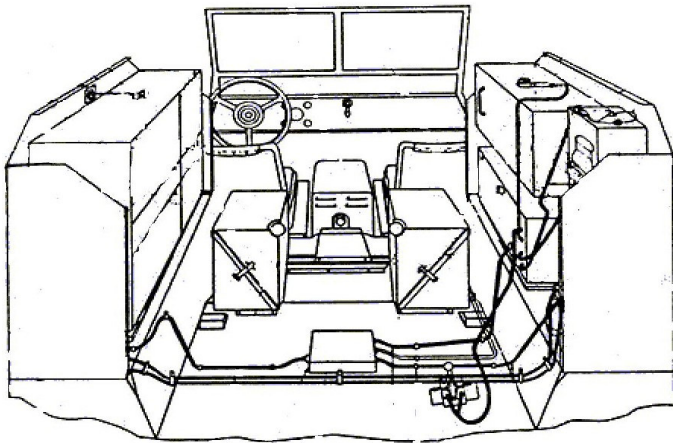
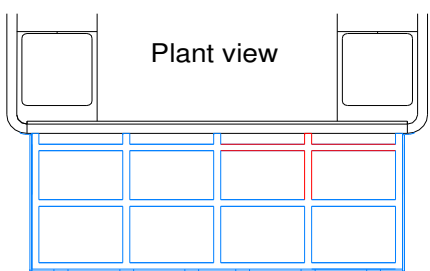
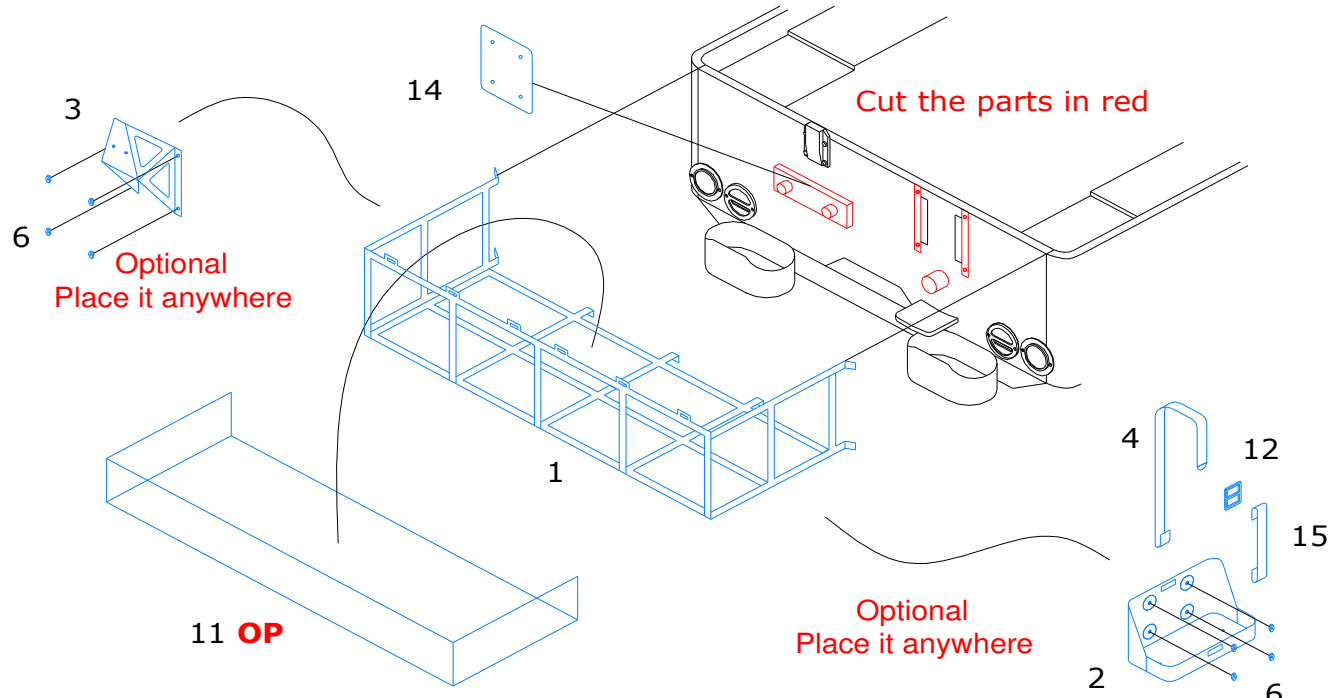


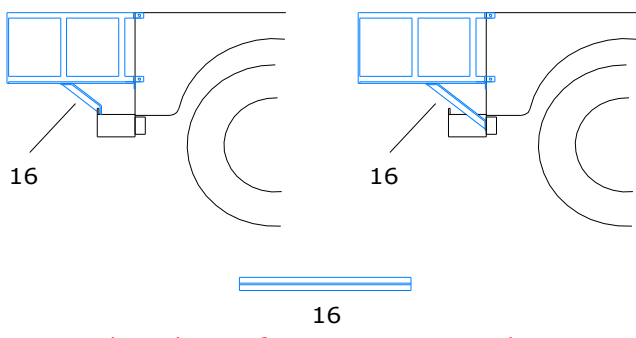
FIGURE 12.—Radio sets SCR-195-A and SCR-195-C, cording diagram.

TL-2226

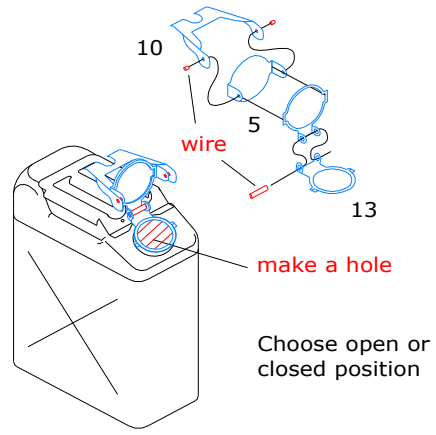
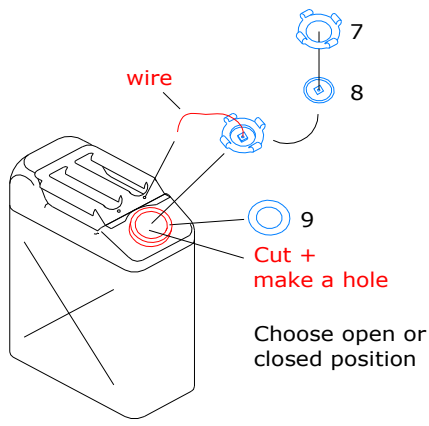
AVM35002 stowage rack sheet



Cut the parts in red to mount the rack along the spare wheel

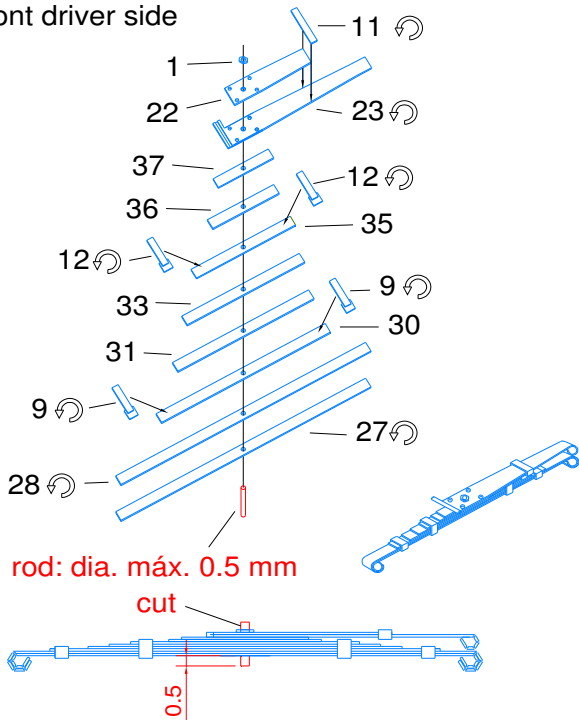


Place the reinforcements as your choice, cut the n°16 piece as large as required.

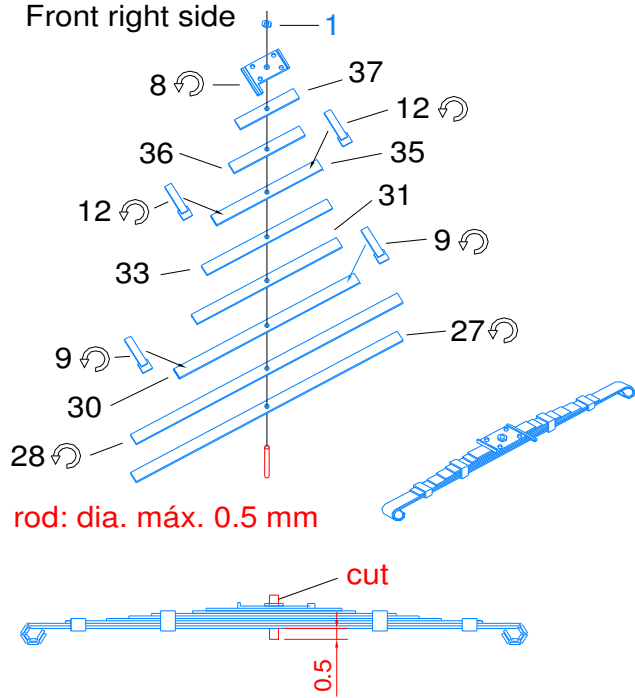


VMD35000 workable leaf springs sheet

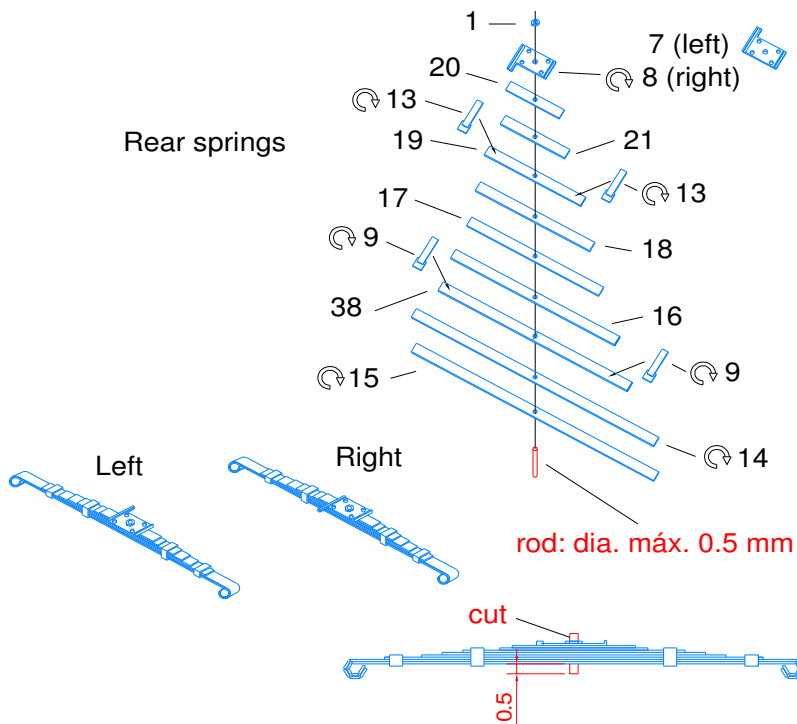
Front driver side

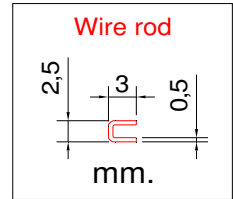
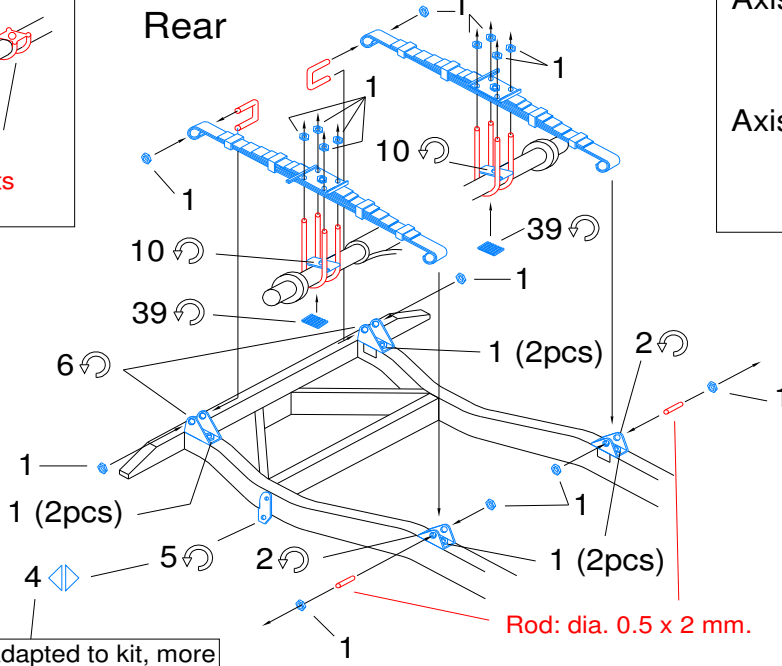
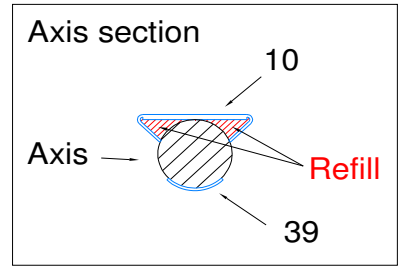
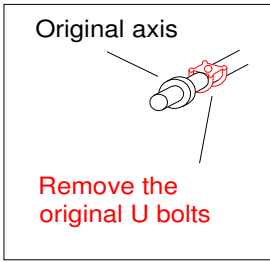


Front right side



Rear springs





n° 4&5 are adapted to kit, more realistic pieces are n° 25&26.

Rod: dia. 0.5 x 2 mm.

Front

