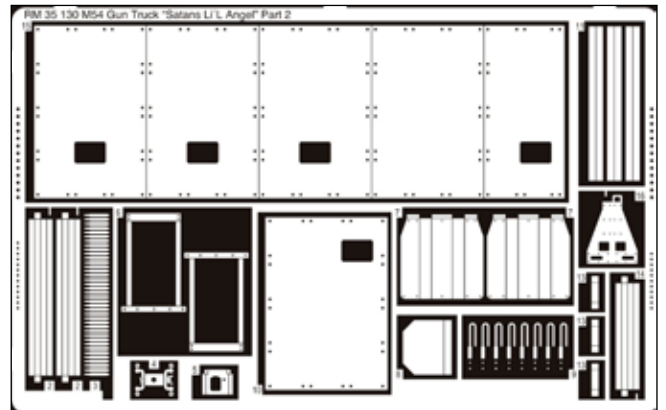
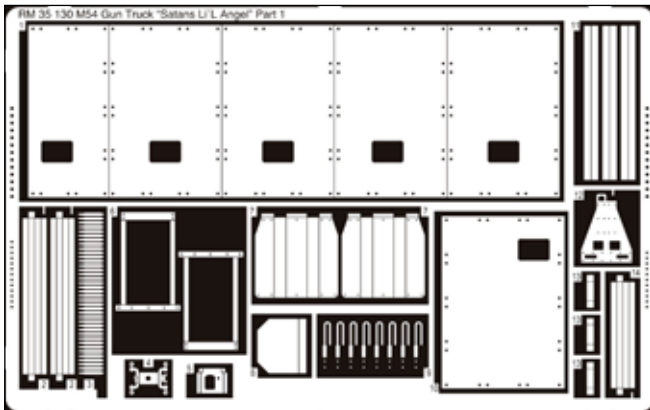


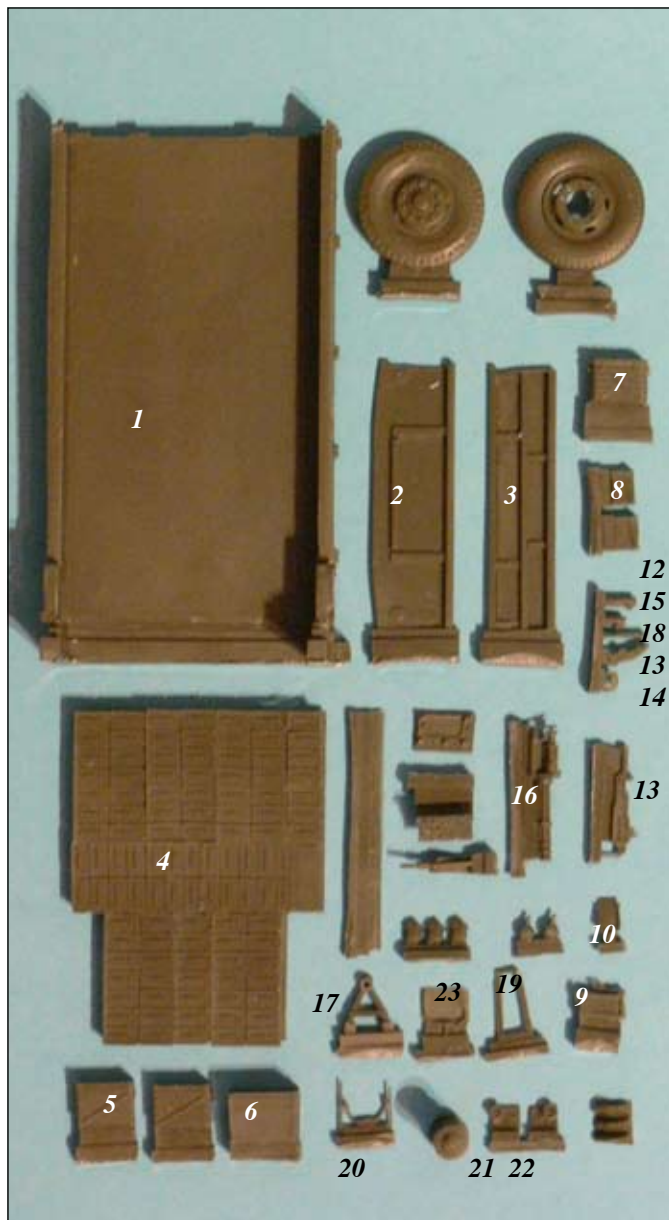
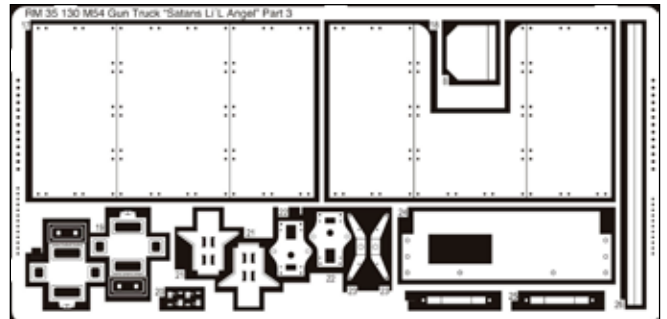
# M54 GUN TRUCK "SATANS LI'L ANGEL"

1/35 scale conversion resin set for Italeri kit

RM 35130

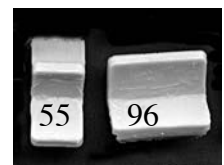
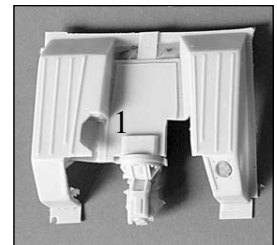
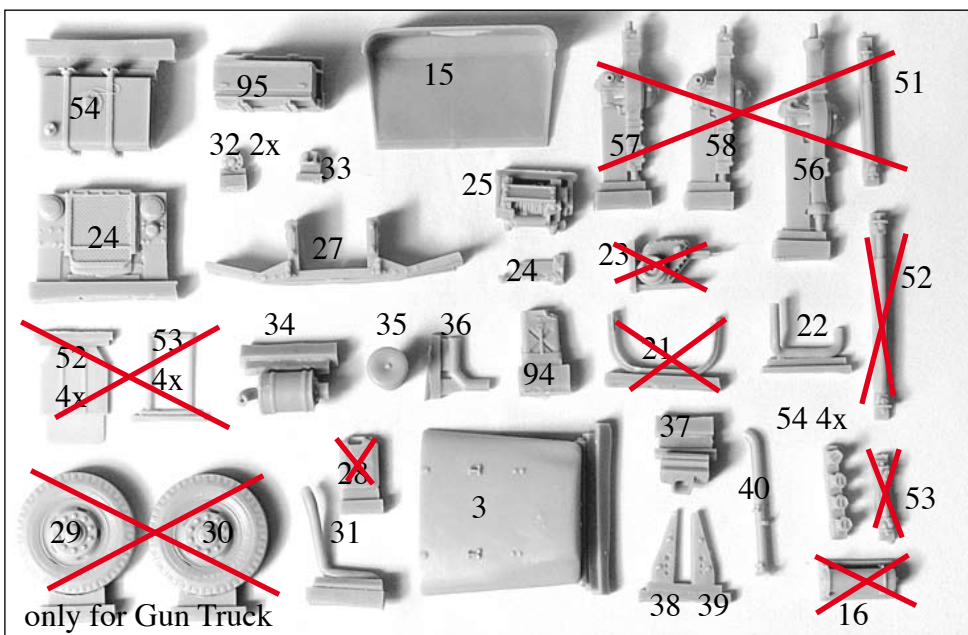
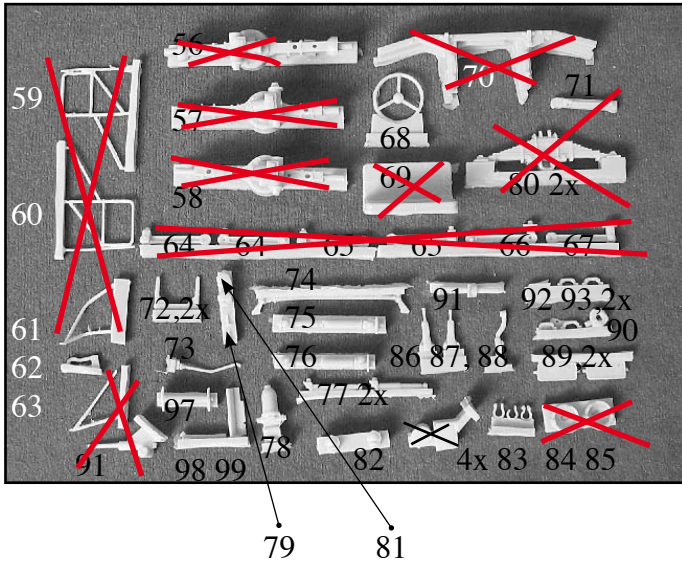
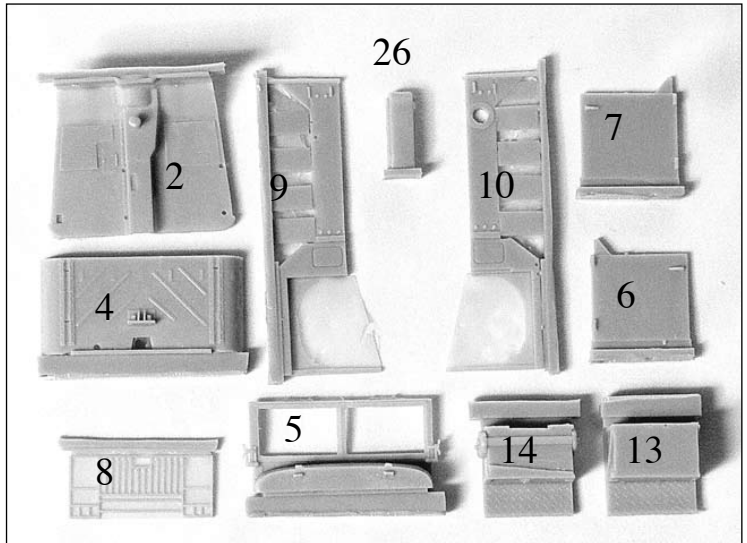
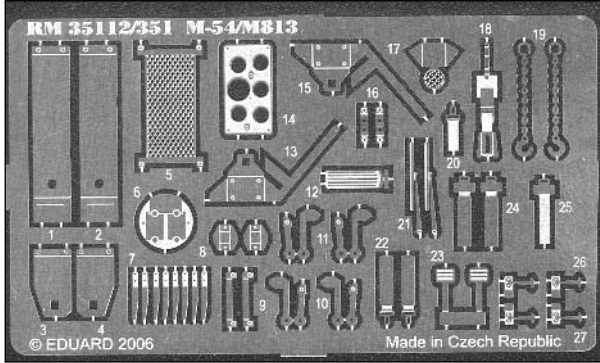


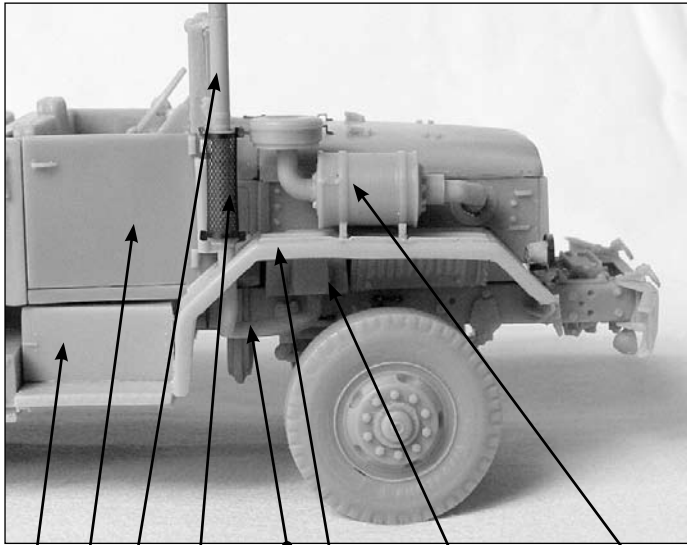
Conversion set also included two metal Gun Barrel & Echelon Mirrors



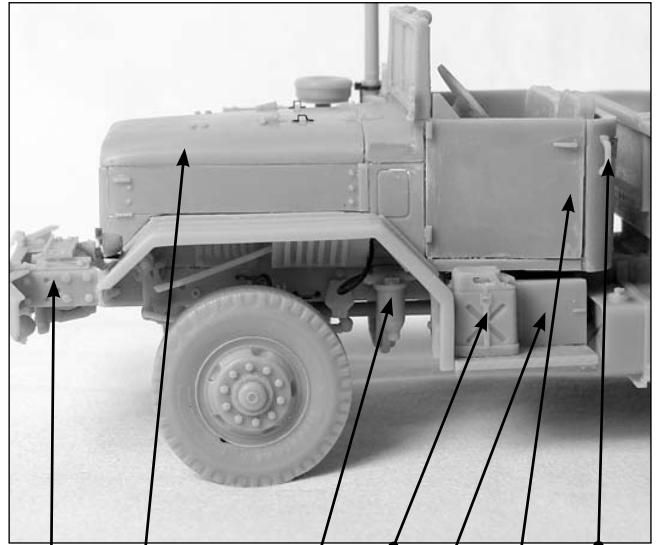
# M54 5 TON 6 x 6 CAB

*1/35 scale full resinset for Italeri kit*

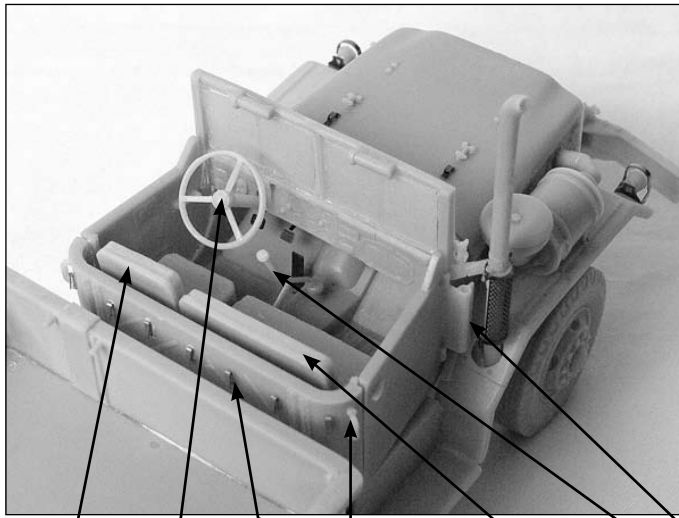




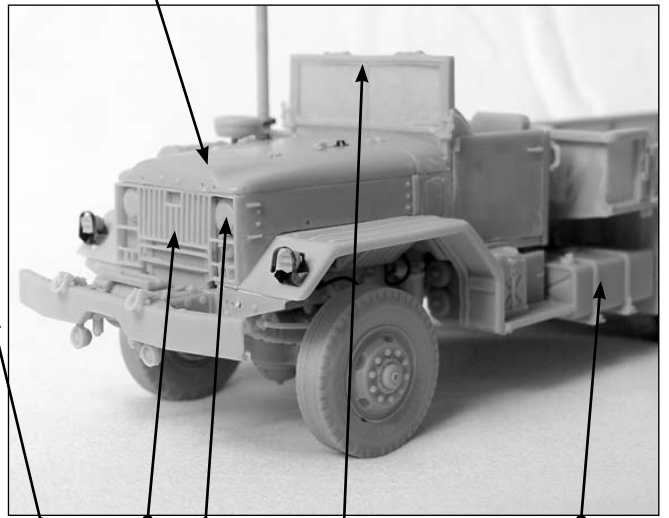
13 7 40 G 22 1 37 34+35+36



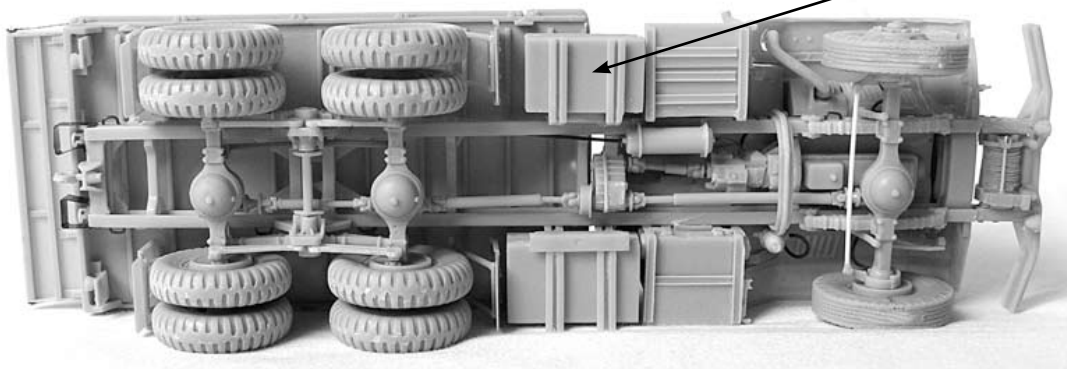
27+37 3 78 94 14 6 93



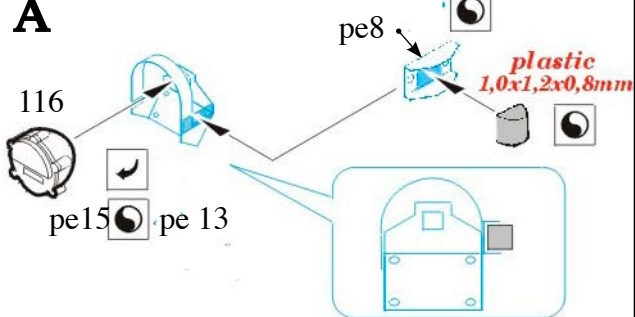
55 68 7x pe7 93 96 73 99



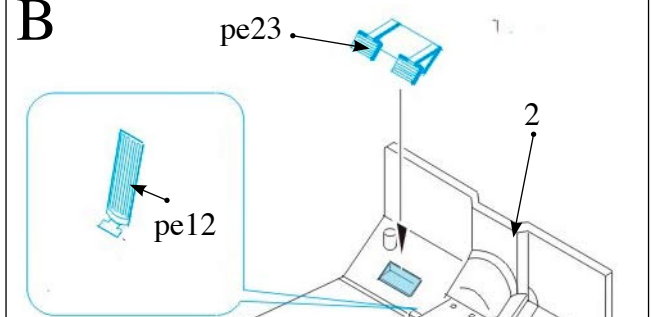
27 8 24 5 95 54

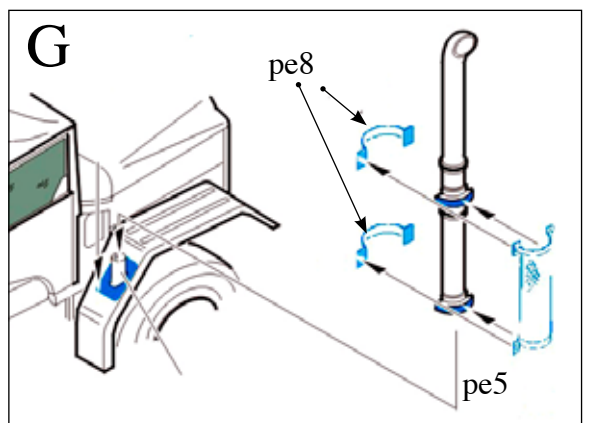
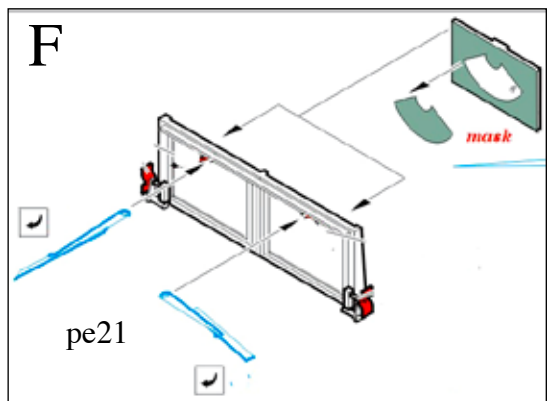
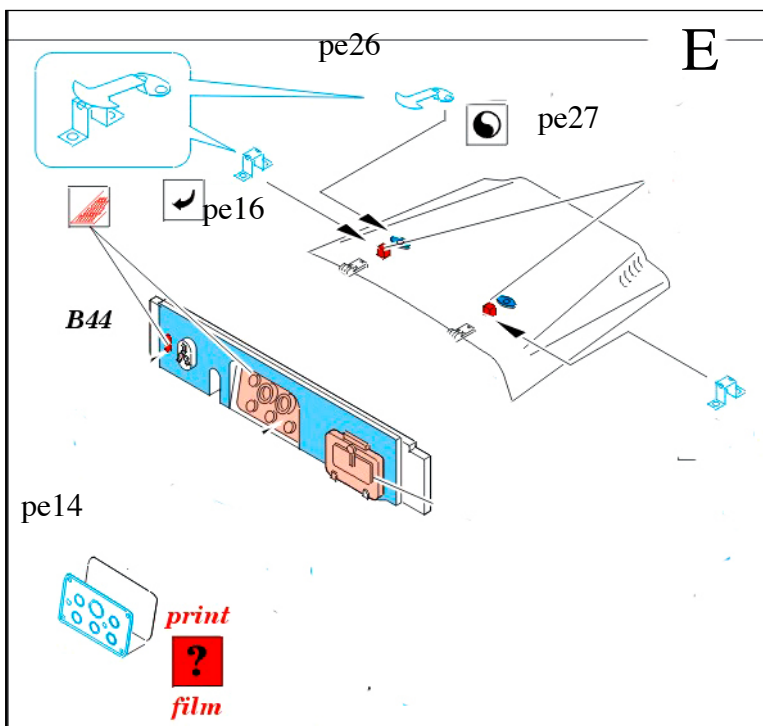
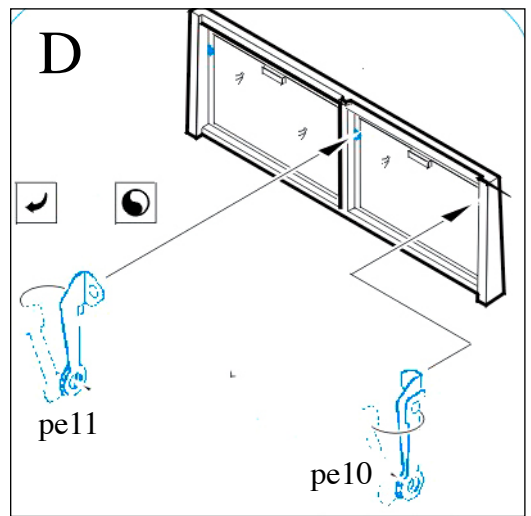
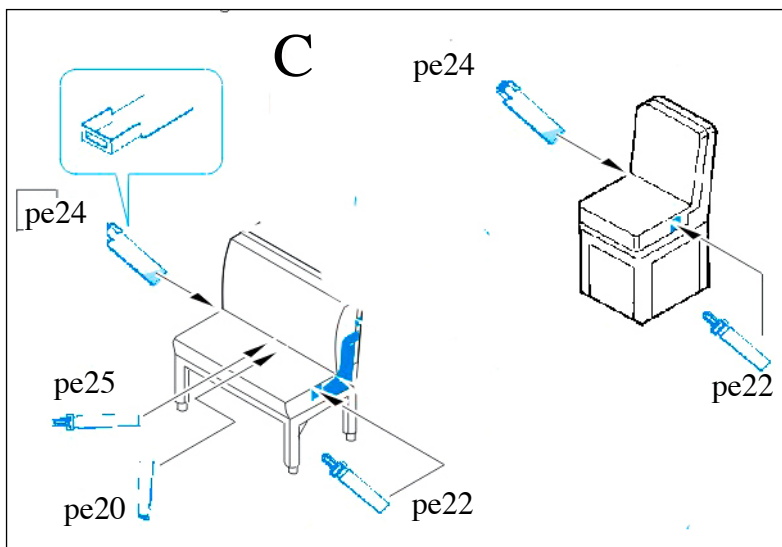
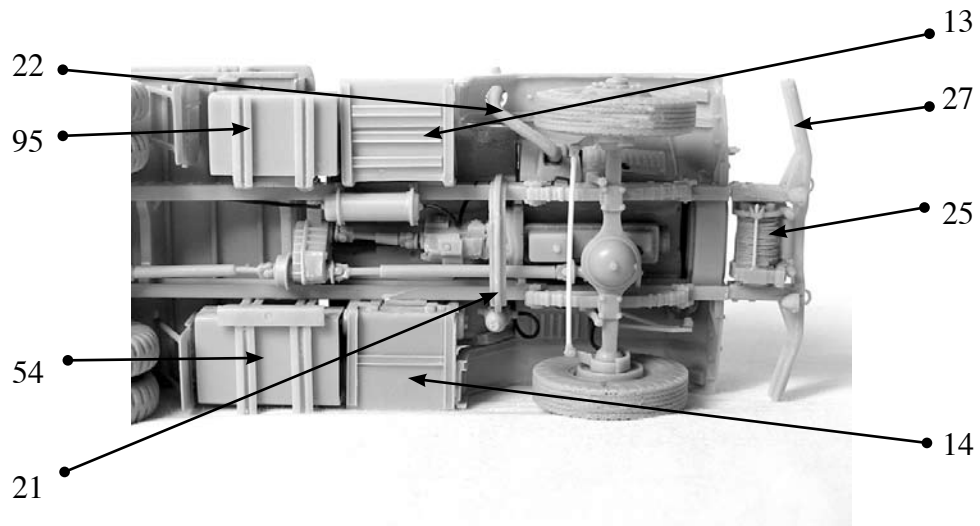


**A**



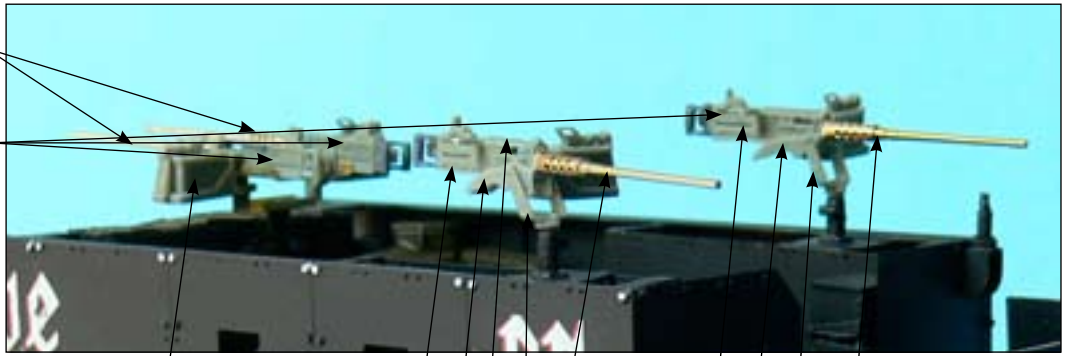
**B**





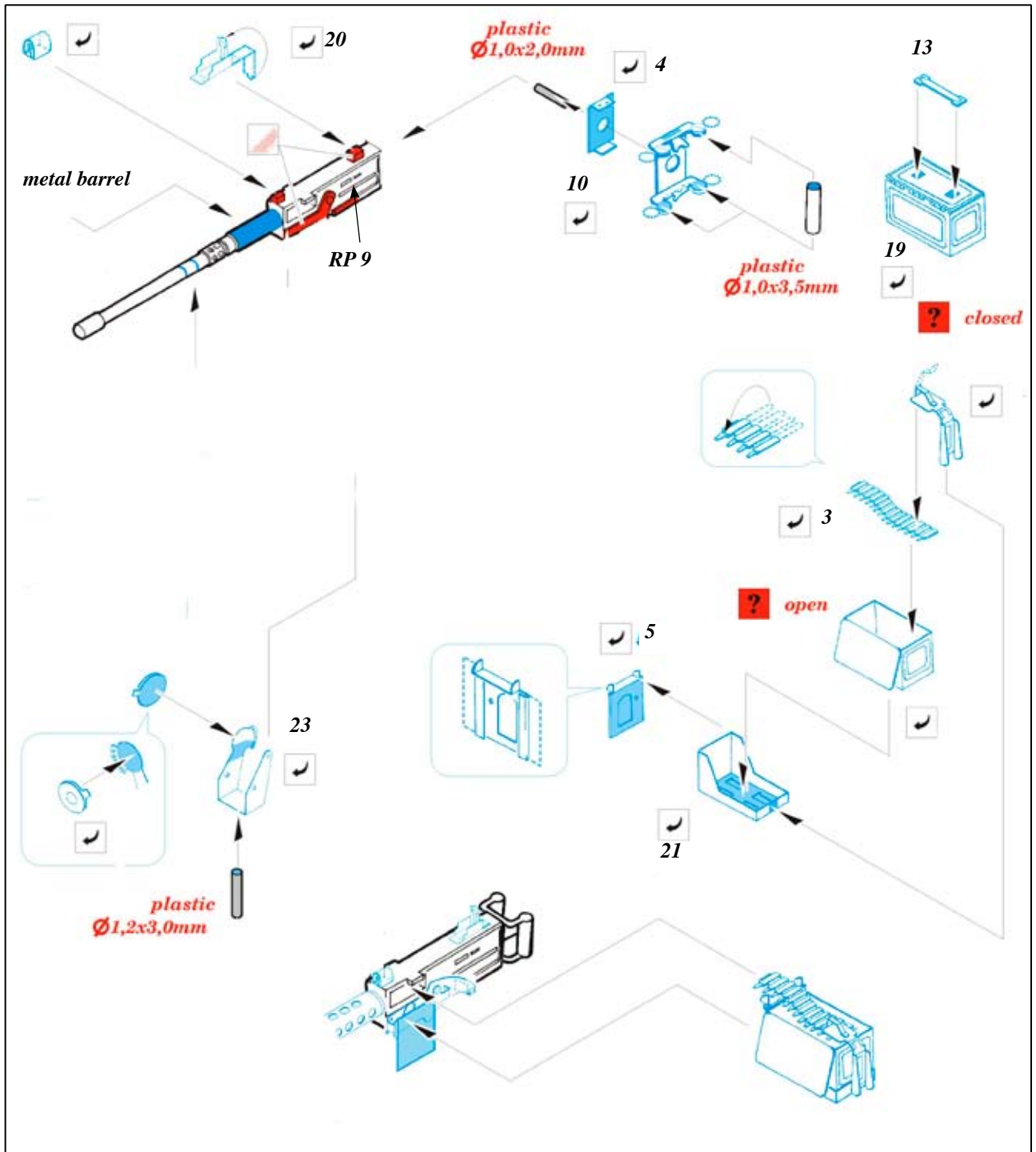
metal barrel

RP 9 4x



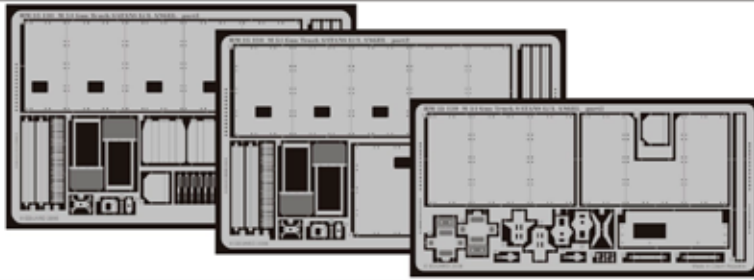
resin ammo cans

RP 9, 13, 18, 10, metal barrel, 9 13, 10, metal barrel



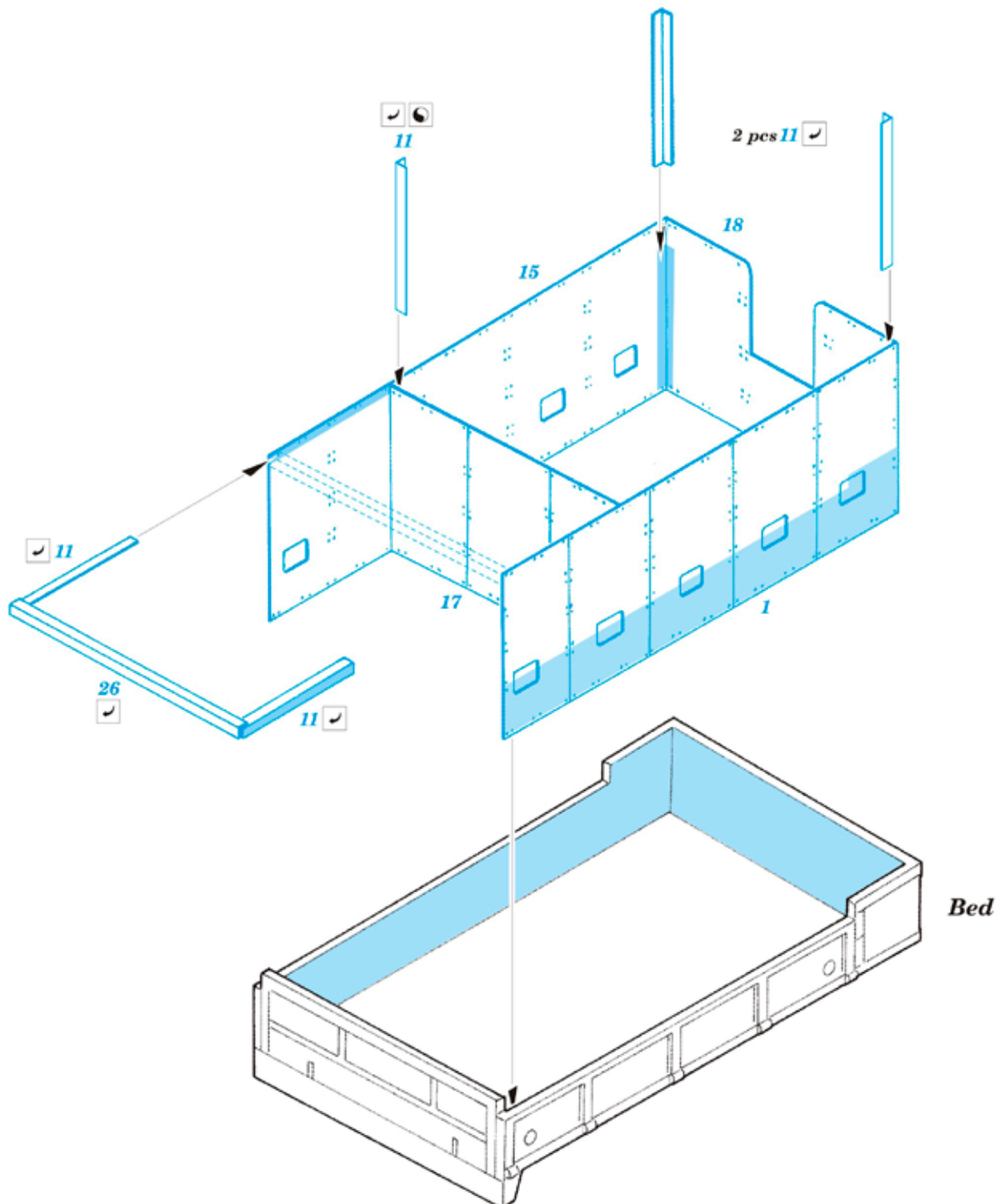
# M54 Gun Truck "Satans Li'L Angel"

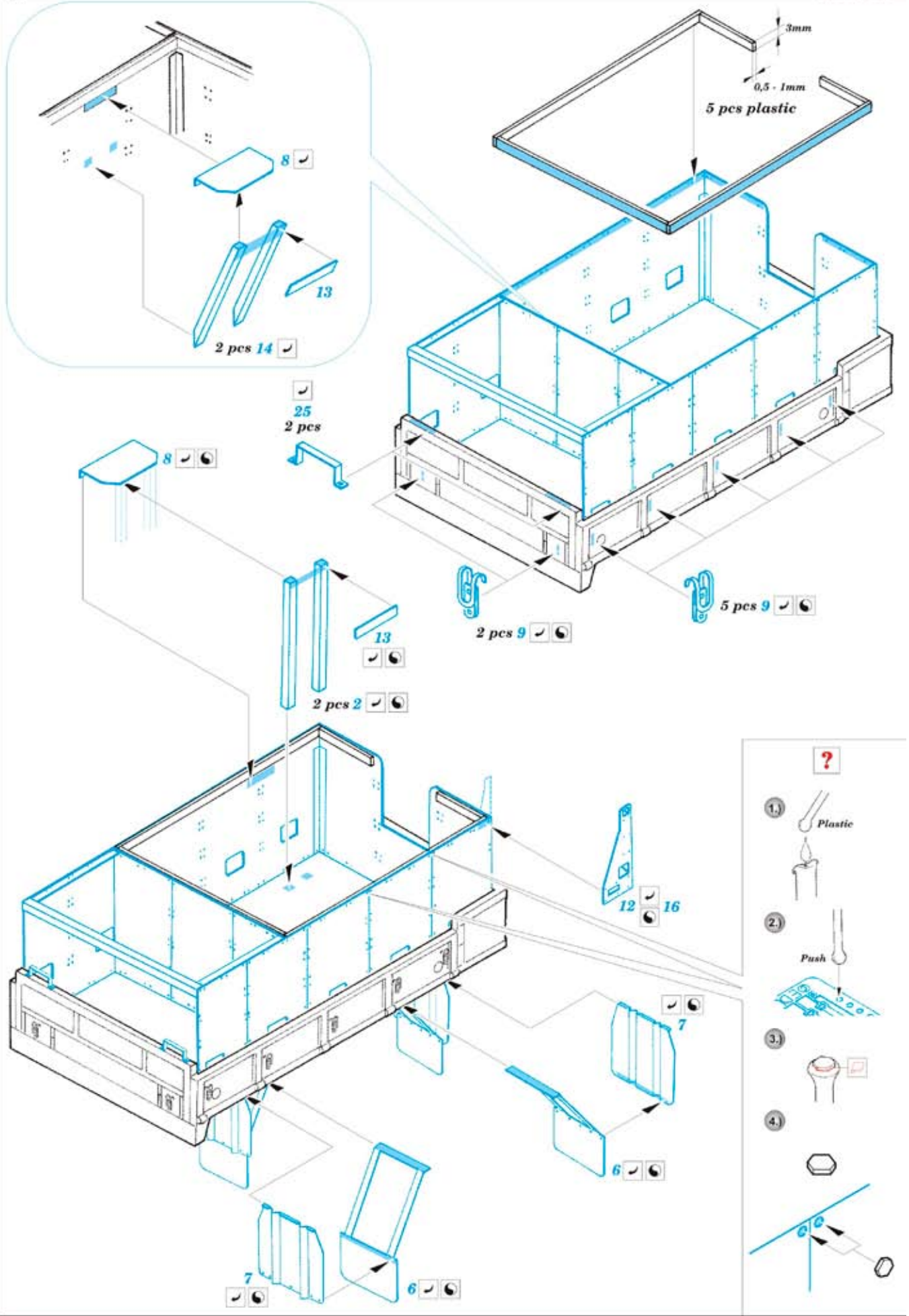
1/35 scale detail set for Real Model kit • sada detailů pro model 1/35 Real Model



- |  |  |  |                     |
|--|--|--|---------------------|
|  | APPLY EXPRESS MASK AND PAINT BEFORE GLUING<br>POUŽIT EXPRESS MASK NABARVIT PŘED SLEPENÍM |  | BEND<br>OHNOUT      |
|  | SYMMETRICAL ASSEMBLY<br>SYMETRICKÁ MONTÁŽ  |  | OPTION<br>VOLBA     |
|  | REMOVE<br>ODSTRANIT  |  | REPLACE<br>NAHRADIT |
|  | GRIND<br>OBROUSIT  |  |                     |
|  | DRILL HOLE<br>VRTAT OTVOR  |  |                     |

- |  |   |  |                                    |  |  |  |                |
|--|---|--|------------------------------------|--|--|--|----------------|
|  | ORIGINAL KIT PARTS<br>PŮVODNÍ DÍLY STAVEBNICE |  | PHOTO-ETCHED PARTS<br>LEPTANÉ DÍLY |  | PARTS TO BE REMOVED<br>DÍLY K ODSTRANĚNÍ |  | FILL<br>TMELIT |
|--|---|--|------------------------------------|--|--|--|----------------|







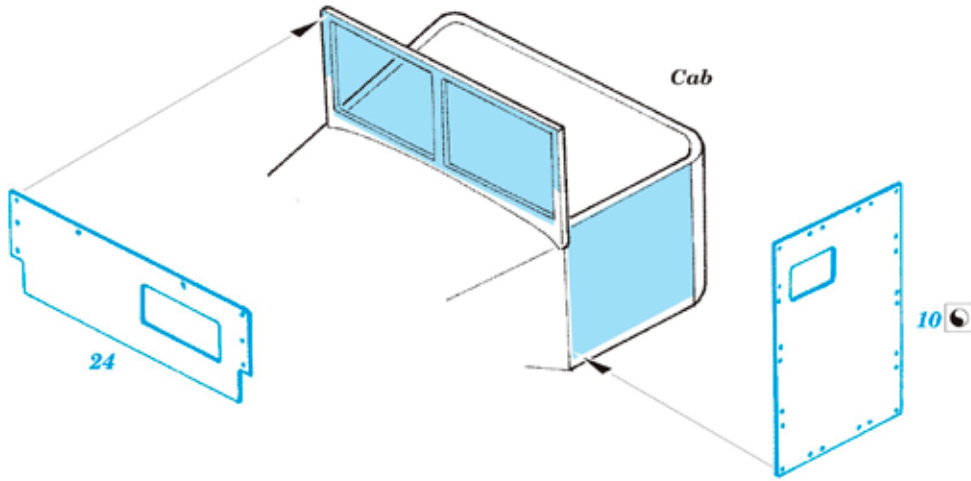
*Few looks on Minigun*

*Below: Satans replica with Minigun*

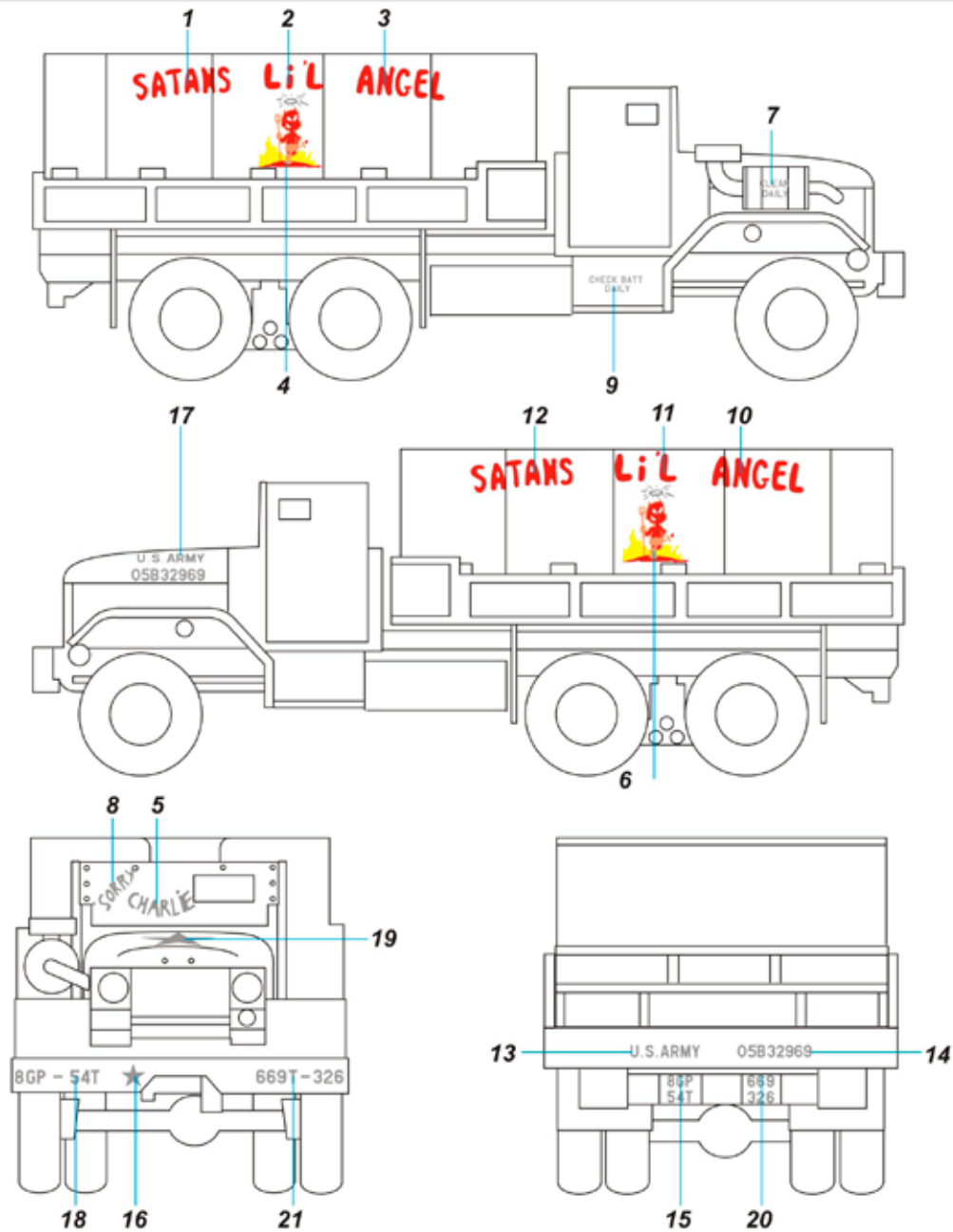
16 23 19 20







**DECALS**



**All vehicle has ben painted mixed color: Olive Drab + Black 50:50, or only Black front part of the engine deck are a Yellow**