

With a total production run in excess of 30,000 aircraft, the Messerschmitt Bf109 remains the most prolifically-manufactured fighter in history, a fitting title for an aircraft that boasted superlative speed and rate of climb, and achieved significant success against Allied aircraft in WWII.

The Development of the G-6

Those aforementioned Allied aircraft would gain in performance, however, requiring the Bf109 to evolve, and from Spring 1941 development began on the Bf109 G variant, propelled by the bored-out DB605 engine that gave around 10% greater output than its predecessor. The initial G-1 to G-4 aircraft were armed with a nose 20mm MG151/20 cannon and dual 7.92mm MG17 machine guns, but the latter were replaced with dual 13mm MG131 guns on the G-6 (and G-5, identical but with a pressurized cockpit), in an effort to counter the B-17 bombers used increasingly by the Allies over continental Europe from 1942. A successful design, the G-6 accounted for 13,000 of the total 23,000 Bf109 G variant. One highly recognizable feature of the G-6 is the bulges on either side of the cockpit cowling; known in German as "Beule", they covered the MG131 machine gun feed tubes.



An Aircraft with Many Faces

Numerous G-6 variants were produced, including camera-equipped G-6/R2 and G-6/R3 reconnaissance models, and additionally a G-6/U2 variant which offered improved performance at high altitudes thanks to the GM-1 nitrous oxide injection system. On the G-6/U4, the nose 20mm cannon was replaced with the 30mm MK 108 cannon, with accompanying twin gas canisters at the fuselage rear. G-6/Trop aircraft were designed for use in the desert climes of North Africa thanks to the addition of sand filters, although the Axis surrender in that theater in 1943 effectively ended demand with just a few hundred made. Finally, five kits known as Rüstsätze were made available to allow

units to modify their aircraft, variously upgrading the Bf109 G-6 with a 300-liter drop tank, gondolas for a 20mm MG151/20 cannon under each side of the wing, bombs, and even radio equipment.

As German fortunes began to wane, production of the Bf109 G-6 was further ramped up, with a more streamlined manufacturing process. From Summer 1943 onwards some G-6s utilized cowling designs from their G-5 sister aircraft, and in 1944 G-6/U2s and a minority of other G-6s received a 136mm taller vertical fin in order to provide greater stability when using the GM-1 injection system. Feedback from units led to various improvements such as a bullet-proof glass canopy rear for improved vision from August 1943.

The G-6 in Service

The first Bf109 G-6s to see action did so on the Western Front; generally armed under the wings with 20mm cannon or 21cm rockets, they were tasked with repulsing the waves of bombers coming from the British Isles. As time went on the better-armed and -armored Fw190 A took on the bulk of the workload, but the G-6 performance at altitude remained superior, and it was assigned to support the Fw190 A in higher airspace. While the G-6's mobility made it a match for the P-38 Lightning, the advent of the P-51 Mustang from 1944 put it firmly on the back foot. High altitude performance was further improved on the G-6/AS with the DB605AS engine, but it proved insufficient to help arrest the Allies' aerial ascendancy.

It was a rather different story on the Eastern Front, however, as Soviet fighters were somewhat overmatched against the G-6, which enabled it to dominate their aerial clashes. One highly successful unit was Jagdgeschwader 52 (JG52), which was based in the southern sector of the Eastern Front, and had around thirty pilots claiming 100 individual victories each, including the three top scoring German aces.

A long production run and numerous variants made the Messerschmitt Bf109 one of the most important aircraft in WWII and the period leading up to the conflict. The prolific G-6 duelled with countless foes on both the Western and Eastern Fronts and continued in service through to the end of hostilities.

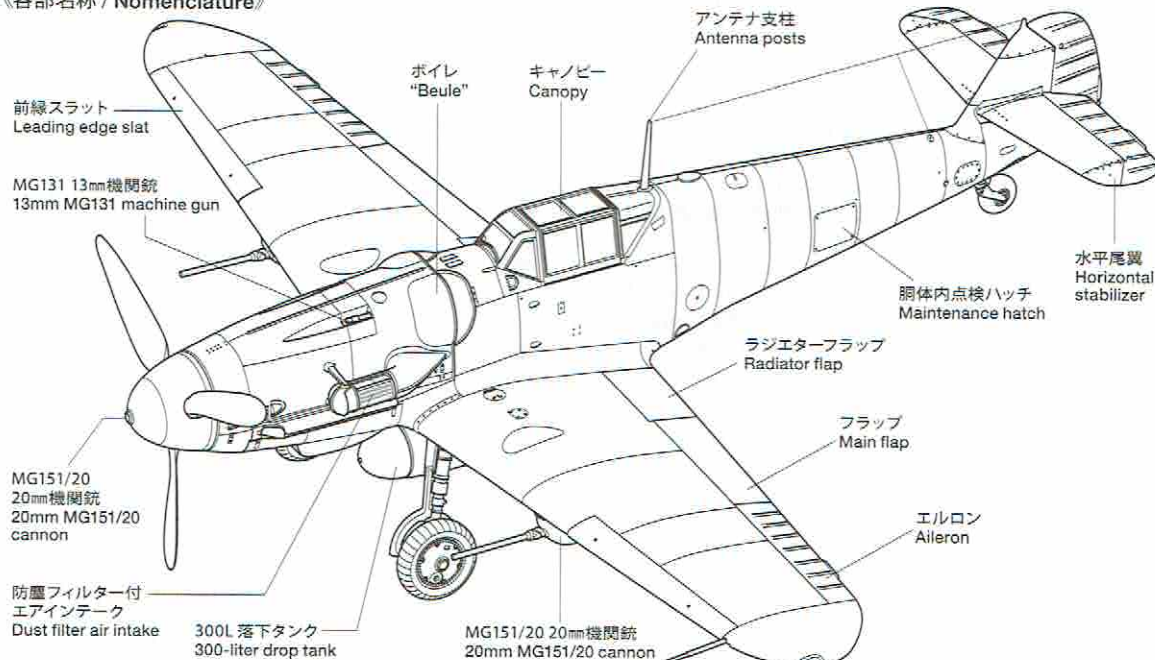
Bf109 G-6 (Early Type) Specifications

- Length: 9.02m ● Wingspan: 9.92m ● Wing Area: 16.02m²
- Loaded Weight: 3,140kg ● Engine: DB605A liquid-cooled inverted V12 ● Take-Off Power: 1,475hp
- Maximum Speed: 635km/h (at 6,600m) ● Rate of Climb: 17m/s
- Service Ceiling: 11,200m ● Range: 560km (internal fuel tank)
- Armament: 20mm MG151/20 cannon x1, 13mm MG131 machine guns x2

MESSERSCHMITT Bf109 G-6



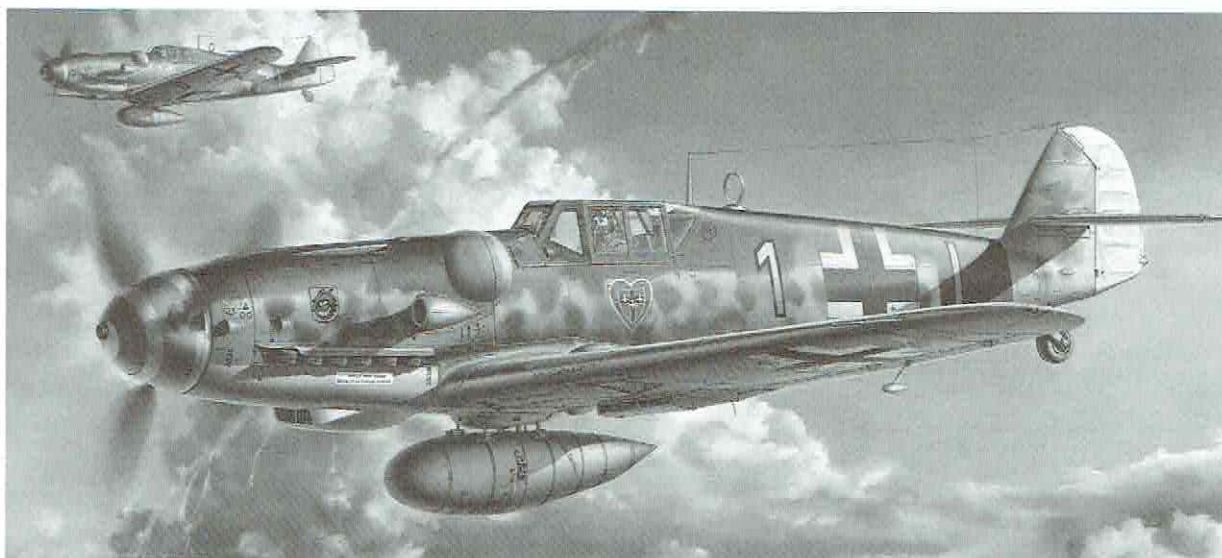
《各部名称 / Nomenclature》



MESSERSCHMITT Bf109 G-6

1/48 SCALE AIRCRAFT SERIES NO.117

★ WINGSPAN 207mm, FUSELAGE LENGTH 188mm



1/48 傑作機シリーズ NO.117 メッサーシュミット Bf109 G-6

*HIGHLY ACCURATE RENDERING OF Bf109 G-6 BASED ON FIRST-HAND RESEARCH OF ACTUAL AIRCRAFT *DB605 ENGINE IS SUPERBLY DETAILED
 *CHOOSE OPEN OR CLOSED CENTER CANOPY, STANDARD OR GALLAND PANZER ARMOR PLATE, AND UP OR DOWN MAIN & RADIATOR FLAPS
 *SEPARATE 20mm CANNON GONDOLA & DROP TANK PARTS *SEATED PILOT FIGURE & 3 MARKING OPTIONS INCLUDED



READ BEFORE ASSEMBLY

注意 ●このキットは組み立てモデルです。作る前に必ず説明書を最後までお読みください。また小学生などの低年齢の方が組み立てるときは、保護者の方もお読みください。また接着剤や塗料は、必ずプラスチック用をお使いください。(別売) ●工具の使用には十分注意してください。特にナイフ、ニッパーなどの刃物によるケガや事故に注意してください。●接着剤や塗料は使用前にそれぞれの注意書きをよく読み、指示に従って正しく使用し、使用するときは換気十分注意してください。●小さなお子様のいる所での作業はやめてください。小さな部品の飲み込みや、ビニール袋をかぶつての窒息などの危険な状況が考えられます。●部品の先端が尖っている場合があります。取り扱いに注意してください。

CAUTION ●Read carefully and fully understand the instructions before commencing assembly. A supervising adult should also read the instructions if a child assembles the model. ●When assembling this kit, tools including knives are used. Extra care should be taken to avoid personal injury. ●Read and follow the instructions supplied with paint and/or cement, if used (not included in kit). Use plastic cement and paints only. ●Keep out of reach of small children. Children must not be allowed to put any parts in their mouths or pull vinyl bags over their heads. ●Some parts have sharp edges. Take care when handling.

VORSICHT ●Bevor Sie mit dem Zusammenbau beginnen, sollten Sie alle Anweisungen gelesen und verstanden haben. Falls ein Kind das Modell zusammenbaut, sollte ein beaufsichtigender Erwachsener die Bauanleitung ebenfalls gelesen haben. ●Beim Zusammenbau dieses Bausatzes werden Werkzeuge einschließlich Messer verwendet. Zur Vermeidung von Verletzungen ist besondere Vorsicht angebracht. ●Wenn Sie Farben und/oder Kleber verwenden (nicht im Bausatz enthalten), beachten und befolgen Sie die dort beiliegenden Anweisungen. Nur Klebstoff und Farben für Plastik verwenden. ●Bausatz von kleinen Kindern fernhalten. Kindern darf keine Möglichkeit gegeben werden, irgendwelche Teile in den Mund zu nehmen oder sich Plastiktüten über den Kopf zu ziehen. ●Einige Teile haben scharfe Kanten. Passen Sie bei der Benutzung entsprechend auf.

PRECAUTIONS ●Bien lire et assimiler les instructions avant de commencer l'assemblage. La construction du modèle par un enfant doit s'effectuer sous la surveillance d'un adulte. ●L'assemblage de ce kit requiert de l'outillage, en particulier des couteaux de modélisme. Manier les outils avec précaution pour éviter toute blessure. ●Lire et suivre les instructions d'utilisation des peintures et ou de la colle, si utilisées (non incluses dans le kit). Utiliser uniquement une colle et des peintures spéciales pour le polystyrène. ●Garder hors de portée des enfants en bas âge. Ne pas laisser les enfants mettre en bouche ou sucer les pièces, ou passer un sachet vinyl sur la tête. ●Certains pièces du modèle ont des rebords acérés. Manipuler avec précaution.

PAINTS REQUIRED

●塗装指示のマークです。タミヤカラーのカラーナンバーで指示しました。

This mark denotes numbers for Tamiya Paint colors.

AS-5 ●ライトブルー(ドイツ空軍) / Light blue (Luftwaffe) / Hellblau (Luftwaffe) / Bleu clair (Luftwaffe)

X-1 ●ブラック / Black / Schwarz / Noir

X-2 ●ホワイト / White / Weiß / Blanc

X-10 ●ガンメタル / Gun metal / Metall-Grau / Gris acier

X-11 ●クロームシルバー / Chrome silver / Chrom-Silber / Aluminium chromé

X-18 ●セミグロスブラック / Semi gloss black / Seidenglanz Schwarz / Noir satiné

X-19 ●スモーク / Smoke / Rauchfarben / Fumé

X-23 ●クリアブルー / Clear blue / Klar-Blau / Bleu translucide

X-31 ●チタンゴールド / Titanium gold / Titan-Gold / Titane doré

X-32 ●チタンシルバー / Titanium silver / Titan-Silber / Titane argenté

XF-1 ●フラットブラック / Flat black / Matt Schwarz / Noir mat

XF-2 ●フラットホワイト / Flat white / Matt Weiß / Blanc mat

XF-3 ●フラットイエロー / Flat yellow / Matt Gelb / Jaune mat

XF-6 ●銅パー / Copper / Kupfer / Cuivre

XF-7 ●フラットレッド / Flat red / Matt Rot / Rouge mat

XF-8 ●フラットブルー / Flat blue / Matt Blau / Bleu mat

XF-10 ●フラットブラウン / Flat brown / Matt Braun / Brun mat

XF-15 ●フラットフレッシュ / Flat flesh / Fleischfarben

Matt / Chair mate

XF-16 ●フラットアルミ / Flat aluminum / Matt Aluminium / Aluminium mat

XF-22 ●RLMグレイ / RLM grey / RLM-Grau / Gris R.L.M.

XF-23 ●ライトブルー / Light blue / Hellblau / Bleu clair

XF-24 ●ダークグレイ / Dark grey / Dunkelgrau / Gris foncé

XF-27 ●ブラックグリーン / Black green / Schwarzgrün / Vert noir

XF-52 ●フラットアース / Flat earth / Erdfarbe / Terre mate

XF-54 ●ダークシーグレイ / Dark sea grey / Dunkles Meergrau / Gris de mer foncé

XF-58 ●メタリックグレイ / Metallic grey / Grau-Metallic / Gris métallisé

XF-57 ●バフ / Buff / Lederfarben / Chamois

XF-63 ●ジャーマングレイ / German grey / Deutsches Grau / Gris panzer

XF-64 ●レッドブラウン / Red brown / Rotbraun / Rouge brun

XF-85 ●ラバーブラック / Rubber black / Gummischwarz / Noir caoutchouc

RECOMMENDED TOOLS

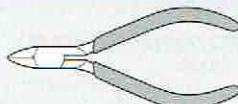
《用意する工具》

Recommended tools
Benötigtes Werkzeug
Outillage nécessaire

接着剤
(プラスチック用)
Cement
Kleber
Colle



ニッパー
Side cutters
Seitenschneider
Pince coupante



ナイフ
Modeling knife
Modellermesser
Couteau de modéliste



ピンセット
Tweezers
Pinzette
Précelles



ピンバイス (ドリル刃0.5mm, 1mm, 1.5mm, 2mm)
Pin vise (0.5mm, 1mm, 1.5mm, 2mm drill bit)
Schraubstock (0.5mm, 1mm, 1.5mm, 2mm Spiralbohrer)
Outil à percer (0.5mm, 1mm, 1.5mm, 2mm de diamètre)

《塗料の使い分け》

Using different types of paints

★重ね塗りするときは塗料の種類によって塗る順番があります。かならずラッカー系塗料(タミヤスプレー)→アクリル塗料→エナメル塗料の順番で塗装してください。

★When painting, never apply lacquer paints over enamel/acrylic paints. It could harm the painted surface. Paint lacquer first, then acrylic, followed by enamel.

★Beim Lackieren niemals Lackfarben über Acrylfarben auftragen. Die bereits lackierte Fläche könnte beschädigt werden. Zuerst Lackfarbe, dann Acrylfarbe, als letztes Emallacke auftragen.

★Ne jamais appliquer une peinture laquée par dessus une peinture enamel ou acrylique, au risque de d'endommager la surface peinte. Peindre la laque en premier, puis l'acrylique, puis l' enamel.



ラッカー系塗料
Lacquer paints

部品全体の塗装に使用。
Use for overall painting.
Für gesamte Lackierung zu verwenden.
Utiliser pour la peinture générale.



アクリル塗料
Acrylic paints

広めの面積の塗装に使用。
Use for large areas.
Für große Flächen einsetzen.
Utiliser sur les grandes surfaces.



エナメル塗料
Enamel paints

細部の塗装やヨゴシに使用。
Use for small areas and weathering.
Für kleine Bereiche und Verwitterung einsetzen.
Utiliser sur les petites surfaces et le vieillissement.

《部品の切り取り》

Cutting off parts

★部品はニッパーを図の向きにあて、ていねいに切り取り、切り口はカッターナイフできれいにします。

★Cut off parts using side cutters and flatten using modeling knife.

★Die Teile mit einem Seitenschneider abzwicken und Grat mit Modellbaumesser glätten.

★Détacher les pièces au moyen de pinces coupantes et aplatir avec un couteau de modélisme.

★Use side cutters to cut parts and a modeling knife to flatten the edges.



《部品の取り付け位置を確認する》

Test fitting

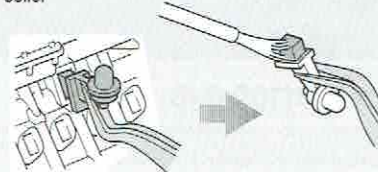
★一度部品を仮に組み合わせて(仮組)みて、接着面を確認します。

★Attach parts temporarily to confirm cement position prior to applying cement.

★Die Teile vorübergehend anbringen, um vor dem Klebstoffauftrag die Klebestellen zu erkennen.

★Fixer temporairement les pièces pour s'assurer de leur placement correct avant d'appliquer la colle.

★Temporarily assemble parts to check cementing positions before applying glue.



《部品を見つけやすくするために》

Keeping track of parts

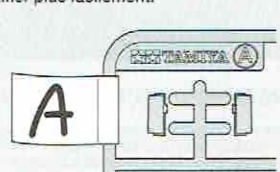
★組み立て前に各部品にテープなどでタグをつけておくと部品を見つけやすくなります。

★Attaching tags to parts before assembly will make them easier to keep track of.

★Wenn man kleine Schilder auf den Teilen anbringt ist ihre Reihenfolge leichter einzuhalten.

★Etiqueter les pièces avant assemblage permet de les identifier plus facilement.

★Attach small tags to parts before assembly to make them easier to identify.



《マスクシールの貼り方》

●風防部を塗装するときはマスクシールを使用します。

①指示されたマスクシールを切り取り、風防の彫刻にあわせて貼ります。隙間から塗料が入らないようにしっかり貼ります。

②窓枠部分をタミヤカラーで塗装してください。

③塗料が完全に乾ききる前にマスクシールをはがします。

④Remove masking stickers before paint has completely cured.

⑤Use masking stickers to protect canopy when painting.

⑥Mask off canopy using masking stickers included in the kit.

⑦Paint canopy frame with Tamiya paints.

⑧Remove masking stickers before paint has completely cured.

⑨Use masking stickers to protect canopy when painting.

⑩Abkleber vor dem endgültigen Trocknen der Farbe anziehen.

⑪Use masking stickers to protect canopy when painting.

⑫Abkleber vor dem endgültigen Trocknen der Farbe anziehen.

⑬Use masking stickers to protect canopy when painting.

⑭Abkleber vor dem endgültigen Trocknen der Farbe anziehen.

⑮Use masking stickers to protect canopy when painting.

⑯Abkleber vor dem endgültigen Trocknen der Farbe anziehen.

⑰Use masking stickers to protect canopy when painting.

⑱Abkleber vor dem endgültigen Trocknen der Farbe anziehen.

⑲Use masking stickers to protect canopy when painting.

⑳Abkleber vor dem endgültigen Trocknen der Farbe anziehen.

㉑Use masking stickers to protect canopy when painting.

㉒Abkleber vor dem endgültigen Trocknen der Farbe anziehen.

㉓Use masking stickers to protect canopy when painting.

㉔Abkleber vor dem endgültigen Trocknen der Farbe anziehen.

㉕Use masking stickers to protect canopy when painting.

㉖Abkleber vor dem endgültigen Trocknen der Farbe anziehen.

㉗Use masking stickers to protect canopy when painting.

㉘Abkleber vor dem endgültigen Trocknen der Farbe anziehen.

㉙Use masking stickers to protect canopy when painting.

㉚Abkleber vor dem endgültigen Trocknen der Farbe anziehen.

㉛Use masking stickers to protect canopy when painting.

㉜Abkleber vor dem endgültigen Trocknen der Farbe anziehen.

㉝Use masking stickers to protect canopy when painting.

㉞Abkleber vor dem endgültigen Trocknen der Farbe anziehen.

㉟Use masking stickers to protect canopy when painting.

㊱Abkleber vor dem endgültigen Trocknen der Farbe anziehen.

㊲Use masking stickers to protect canopy when painting.

㊳Abkleber vor dem endgültigen Trocknen der Farbe anziehen.

㊴Use masking stickers to protect canopy when painting.

㊵Abkleber vor dem endgültigen Trocknen der Farbe anziehen.

㊶Use masking stickers to protect canopy when painting.

㊷Abkleber vor dem endgültigen Trocknen der Farbe anziehen.

㊸Use masking stickers to protect canopy when painting.

㊹Abkleber vor dem endgültigen Trocknen der Farbe anziehen.

㊺Use masking stickers to protect canopy when painting.

㊻Abkleber vor dem endgültigen Trocknen der Farbe anziehen.

㊼Use masking stickers to protect canopy when painting.

㊽Abkleber vor dem endgültigen Trocknen der Farbe anziehen.

㊾Use masking stickers to protect canopy when painting.

㊿Abkleber vor dem endgültigen Trocknen der Farbe anziehen.

Use masking stickers to protect canopy when painting.

Abkleber vor dem endgültigen Trocknen der Farbe anziehen.

Use masking stickers to protect canopy when painting.

Abkleber vor dem endgültigen Trocknen der Farbe anziehen.

Use masking stickers to protect canopy when painting.

Abkleber vor dem endgültigen Trocknen der Farbe anziehen.

Use masking stickers to protect canopy when painting.

Abkleber vor dem endgültigen Trocknen der Farbe anziehen.

Use masking stickers to protect canopy when painting.

Abkleber vor dem endgültigen Trocknen der Farbe anziehen.

Use masking stickers to protect canopy when painting.

Abkleber vor dem endgültigen Trocknen der Farbe anziehen.

Use masking stickers to protect canopy when painting.

Abkleber vor dem endgültigen Trocknen der Farbe anziehen.

《瞬間接着剤について》

★通常は塗装する前に使用します。その際、接着面の油分を十分に取ってください。塗装後に接着する場合は接着面の塗料を落としてから使用します。この時、塗料が残っていると接着力が極端に低下するので注意しましょう。

★Do not use old cement. Test cement first with unnecessary parts such as sprues before use.

★Carefully read instructions on use before cementing.

★Use only a small amount of cement. Too much cement will make joints turn white and lose adhesion.

★Do not use old cement. Test cement first with unnecessary parts such as sprues before use.

★Carefully read instructions on use before cementing.

★Use only a small amount of cement. Too much cement will make joints turn white and lose adhesion.

★Do not use old cement. Test cement first with unnecessary parts such as sprues before use.

★Carefully read instructions on use before cementing.

★Use only a small amount of cement. Too much cement will make joints turn white and lose adhesion.

★Do not use old cement. Test cement first with unnecessary parts such as sprues before use.

★Carefully read instructions on use before cementing.

★Use only a small amount of cement. Too much cement will make joints turn white and lose adhesion.

★Do not use old cement. Test cement first with unnecessary parts such as sprues before use.

★Carefully read instructions on use before cementing.

★Use only a small amount of cement. Too much cement will make joints turn white and lose adhesion.

★Do not use old cement. Test cement first with unnecessary parts such as sprues before use.

★Carefully read instructions on use before cementing.

★Use only a small amount of cement. Too much cement will make joints turn white and lose adhesion.

★Do not use old cement. Test cement first with unnecessary parts such as sprues before use.

★Carefully read instructions on use before cementing.

★Use only a small amount of cement. Too much cement will make joints turn white and lose adhesion.

★Do not use old cement. Test cement first with unnecessary parts such as sprues before use.

★Carefully read instructions on use before cementing.

★Use only a small amount of cement. Too much cement will make joints turn white and lose adhesion.

★Do not use old cement. Test cement first with unnecessary parts such as sprues before use.

★Carefully read instructions on use before cementing.

★Use only a small amount of cement. Too much cement will make joints turn white and lose adhesion.

★Do not use old cement. Test cement first with unnecessary parts such as sprues before use.

★Carefully read instructions on use before cementing.

★Use only a small amount of cement. Too much cement will make joints turn white and lose adhesion.

★Do not use old cement. Test cement first with unnecessary parts such as sprues before use.

★Carefully read instructions on use before cementing.

★Use only a small amount of cement. Too much cement will make joints turn white and lose adhesion.

★Do not use old cement. Test cement first with unnecessary parts such as sprues before use.

《瞬間接着剤について》

★通常は塗装する前に使用します。その際、接着面の油分を十分に取ってください。塗装後に接着する場合は接着面の塗料を落としてから使用します。この時、塗料が残っていると接着力が極端に低下するので注意しましょう。

★Do not use old cement. Test cement first with unnecessary parts such as sprues before use.

★Carefully read instructions on use before cementing.

★Use only a small amount of cement. Too much cement will make joints turn white and lose adhesion.

★Do not use old cement. Test cement first with unnecessary parts such as sprues before use.

★Carefully read instructions on use before cementing.

★Use only a small amount of cement. Too much cement will make joints turn white and lose adhesion.

★Do not use old cement. Test cement first with unnecessary parts such as sprues before use.

★Carefully read instructions on use before cementing.

★Use only a small amount of cement. Too much cement will make joints turn white and lose adhesion.

★Do not use old cement. Test cement first with unnecessary parts such as sprues before use.

★Carefully read instructions on use before cementing.

★Use only a small amount of cement. Too much cement will make joints turn white and lose adhesion.

★Do not use old cement. Test cement first with unnecessary parts such as sprues before use.

★Carefully read instructions on use before cementing.

★Use only a small amount of cement. Too much cement will make joints turn white and lose adhesion.

★Do not use old cement. Test cement first with unnecessary parts such as sprues before use.

★Carefully read instructions on use before cementing.

★Use only a small amount of cement. Too much cement will make joints turn white and lose adhesion.

★Do not use old cement. Test cement first with unnecessary parts such as sprues before use.

★Carefully read instructions on use before cementing.

★Use only a small amount of cement. Too much cement will make joints turn white and lose adhesion.

★Do not use old cement. Test cement first with unnecessary parts such as sprues before use.

★Carefully read instructions on use before cementing.

★Use only a small amount of cement. Too much cement will make joints turn white and lose adhesion.

★Do not use old cement. Test cement first with unnecessary parts such as sprues before use.

★Carefully read instructions on use before cementing.

★Use only a small amount of cement. Too much cement will make joints turn white and lose adhesion.

★Do not use old cement. Test cement first with unnecessary parts such as sprues before use.

★Carefully read instructions on use before cementing.

★Use only a small amount of cement. Too much cement will make joints turn white and lose adhesion.

★Do not use old cement. Test cement first with unnecessary parts such as sprues before use.

★Carefully read instructions on use before cementing.

★Use only a small amount of cement. Too much cement will make joints turn white and lose adhesion.

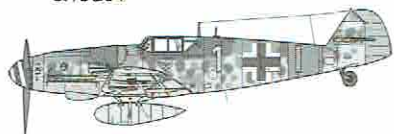
★Do not use old cement. Test cement first with unnecessary parts such as sprues before use.

MARKING OPTIONS

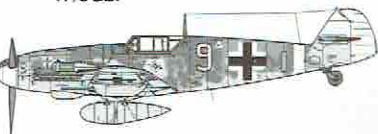


★組み立てる前に別紙を参考に A、B または C のどれか1つを選びます。図中のそれぞれの指示に応じて組み立てと塗装を行ってください。
★Select A, B or C referring to separate sheet. Refer to these marks for assembly.
★Wählen Sie entsprechend dem separaten Blatt A, B oder C. Beachten Sie diese Kennzeichnung für den jeweiligen Zusammenbau.
★Référez-vous à la feuille séparée afin de sélectionner A, B ou C. Se reporter à ces symboles lors de chaque assemblage.

A 《第54戦闘航空団所属機》
9./JG54



B 《第27戦闘航空団所属機》
7./JG27



C 《第52戦闘航空団所属機》
9./JG52



ASSEMBLY



- 組立説明図の中で塗装指示のない部品は機体色で塗装します。
- When no color is specified, paint the item with fuselage color.
- Wo keine Farbe angegeben ist, wird das Teil in der Rumpffarbe lackiert.
- Lorsqu'aucune teinte n'est spécifiée, peindre dans la teinte du fuselage.

注意！
NOTICE

XF-56 : 5 + XF-7 : 1

- 上の様な表記の場合は、各色を指示の比率で調色します。
- Above instruction shows paint mixing ratios.
- Die obenstehende Anleitung zeigt das Mischungsverhältnis der Farben an.
- Les instructions ci-dessus indiquent les proportions des mélanges.

《使わない部品》……………A1, A14, A15, A18, A33,
Not used.
Nicht verwenden.
Non utilisées.
B12, C5, D25×1, E1
マスクシール (M)
Masking stickers

1 胴体右側の組み立て : R
Fuselage (right)
Rumpf (rechts)
Fuselage (droit)

指示の部分を切り取ります。
Cut off.
Wegschneiden.
Découper.

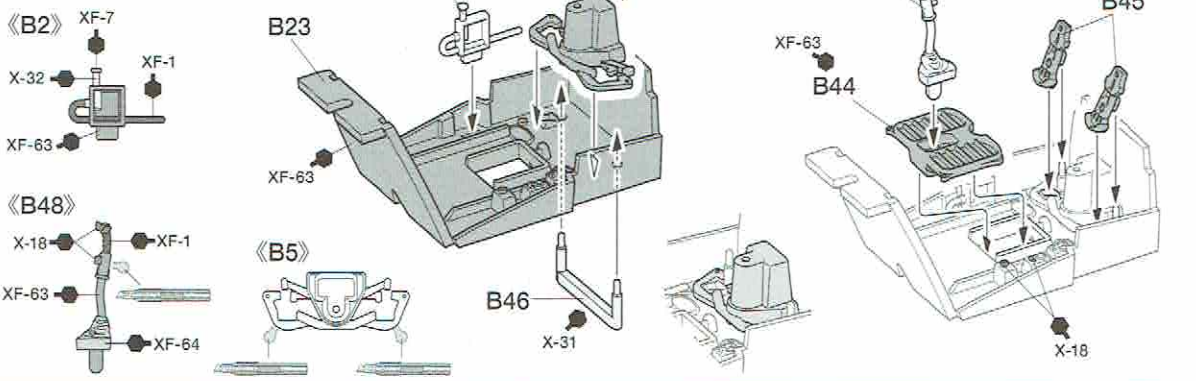
指示の部分をパテ等で埋めます。
Fill with putty.
Zuspachteln.
Comblér avec du mastic.

2 胴体左側の組み立て : L
Fuselage (left)
Rumpf (links)
Fuselage (gauche)

3 胴体の組み立て
Fuselage assembly
Rumpf-Zusammenbau
Assemblage du fuselage

★実機にも凹線があります。合わせ目を残してください。
★Actual aircraft has recessed channels here. Do not fill.
★Naht ist auch beim realen Flugzeug vorhanden. Nicht zuspachteln.
★Le vrai avion a des lignes en creux ici. Ne pas combler avec du mastic.

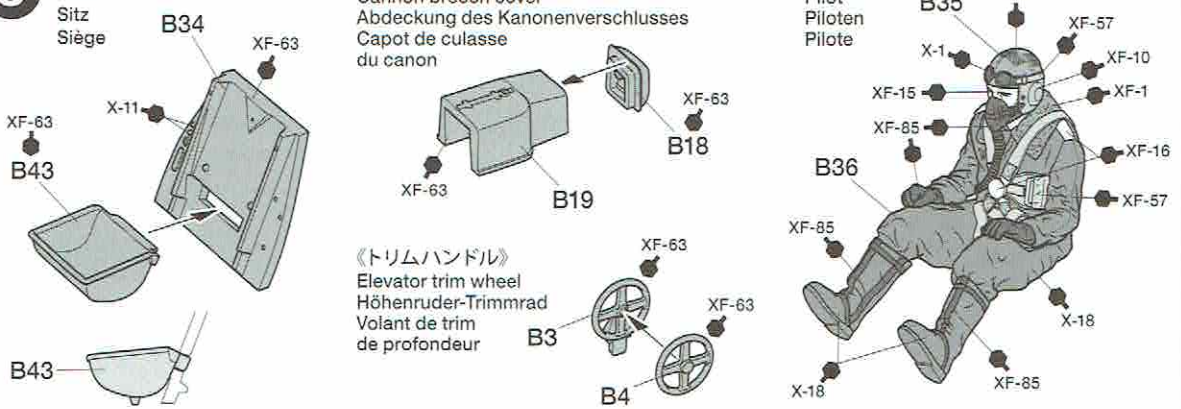
4 コックピットの組み立て 1
Cockpit 1
Habitacle 1



5 《シート》
Seat
Sitz
Siège

《機関砲尾部カバー》
Cannon breech cover
Abdeckung des Kanonenverschlusses
Capot de culasse
du canon

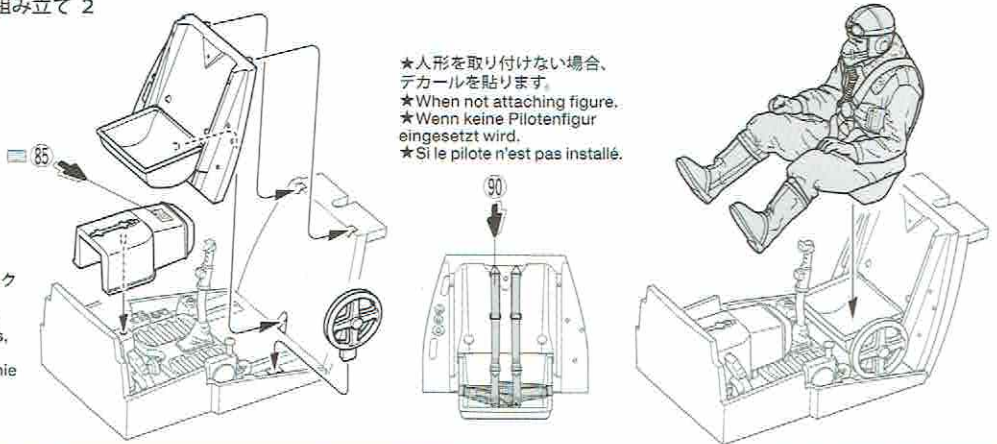
《操縦士》
Pilot
Piloten
Pilote



6 コックピットの組み立て 2
Cockpit 2
Habitacle 2

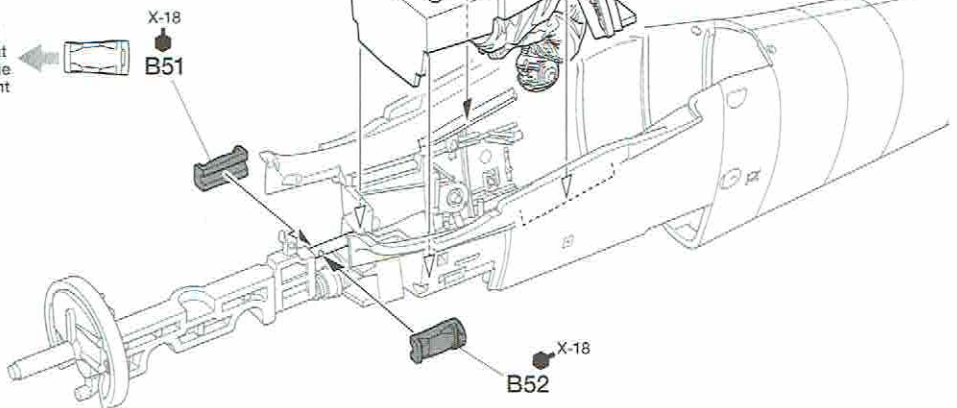
指示の番号のスライドマークを貼ります。
Number of decal to apply.
Nummer des Abziehbildes,
das anzubringen ist.
Numéro de la décalcomanie
à utiliser.

★人形を取り付けない場合、
デカールを貼ります。
★When not attaching figure.
★Wenn keine Pilotenfigur
eingesetzt wird.
★Si le pilote n'est pas installé.



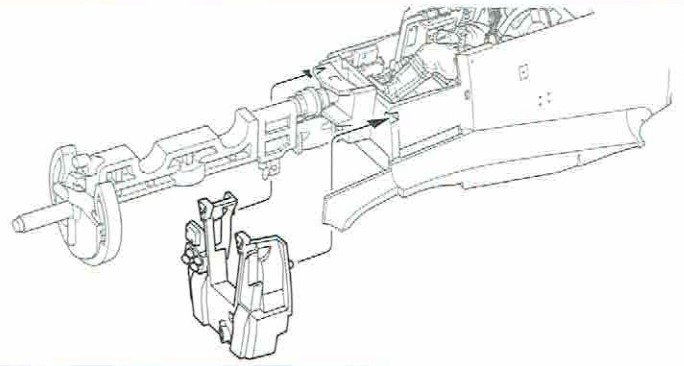
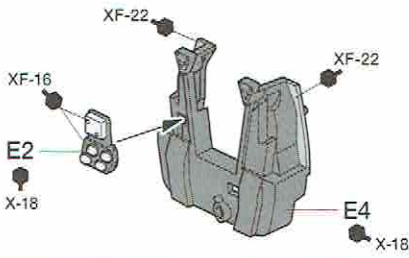
7 コックピットの取り付け
Attaching cockpit
Cockpit-Einbau
Fixation de l'habitacle

前側
Front
Vorne
Avant

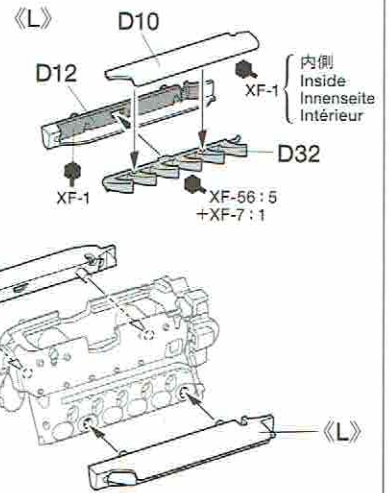
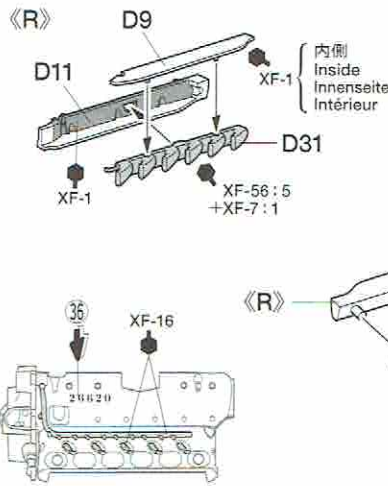
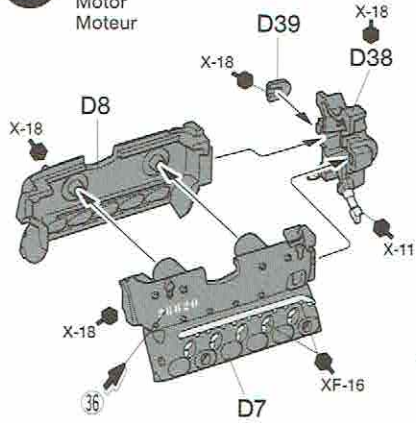


8

13mm機銃弾倉
Machine gun feed tubes
Maschinengewehr Gurtzuführer
Rampes d'alimentation des mitrailleuses

**9**

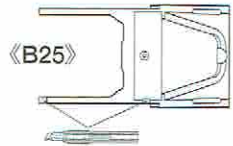
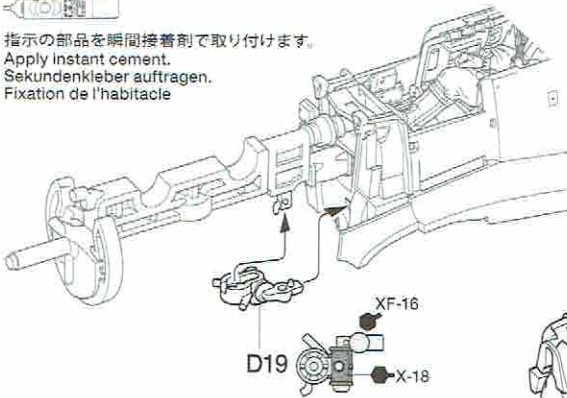
エンジンの組み立て
Engine
Motor
Moteur



指示の部品を瞬間接着剤で取り付けます。
Apply instant cement.
Sekundenkleber auftragen.
Fixation de l'habitacle

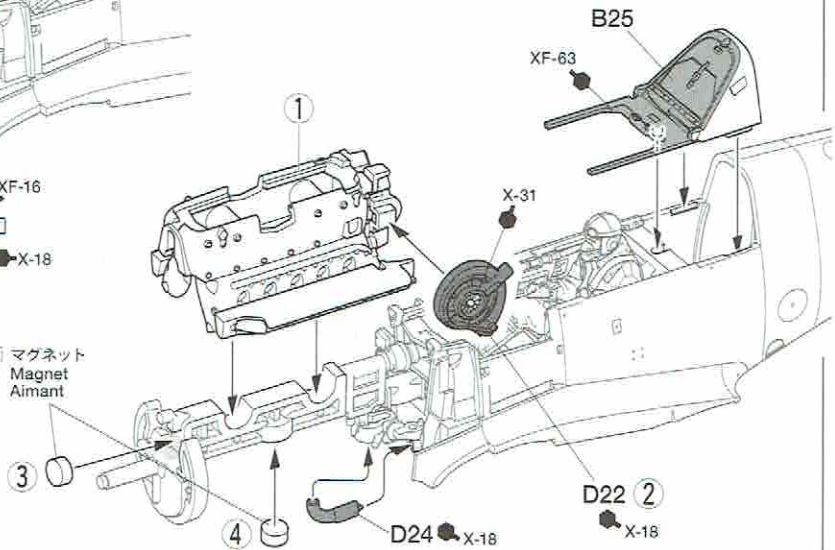
注意!
NOTICE

★指示の番号、①～④の順で取り付けます。
★Attach parts in numbered order ①～④.
★Die Teile in der nummerierten Reihenfolge ①～④ anbringen.
★Fixer les pièces dans l'ordre des numéros ①～④.

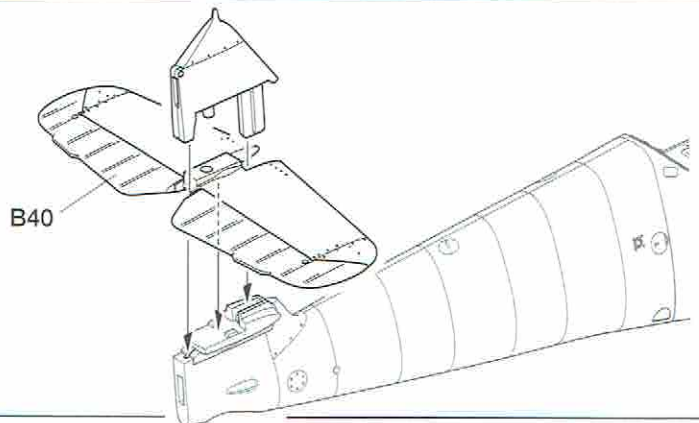
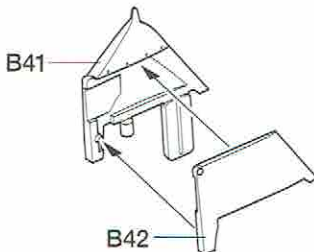


★キャノピー開放状態の時は切り取ります。
★Remove for open canopy.
★Für offene Kabinenhaube entfernen.
★Enlever pour verrière ouverte.

マグネット
Magnet
Aimant

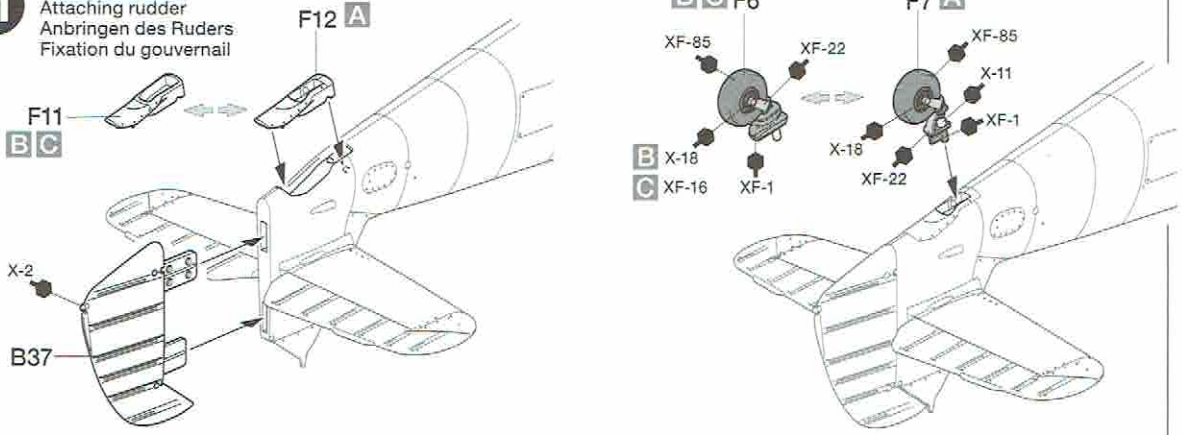
**10**

水平尾翼の組み立て
Horizontal stabilizers
Höhenflosse
Stabilisateurs

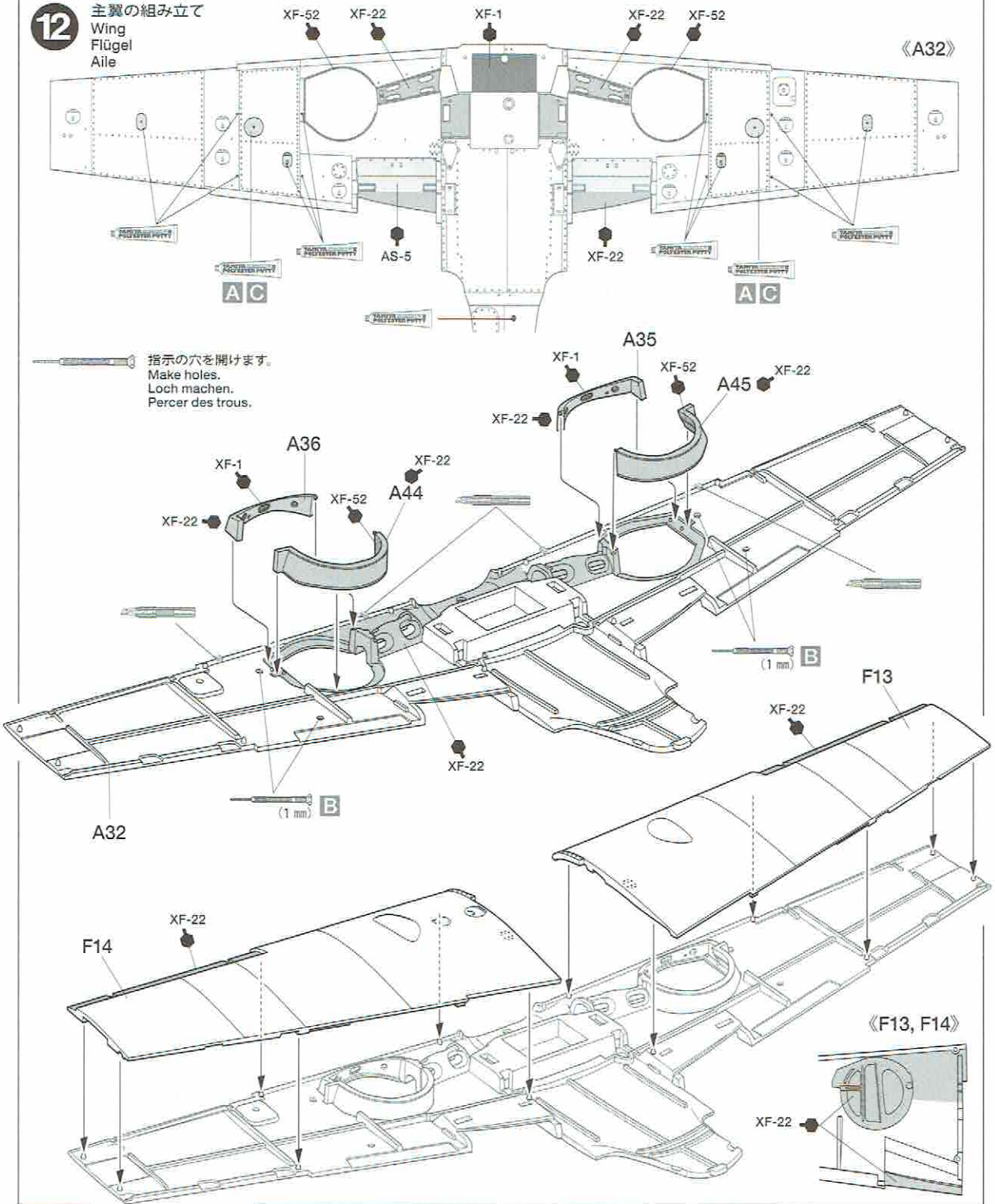


11

方向舵の取り付け
 Attaching rudder
 Anbringen des Ruders
 Fixation du gouvernail

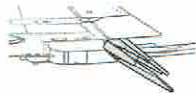
**12**

主翼の組み立て
 Wing
 Flügel
 Aile



注意!
NOTICE

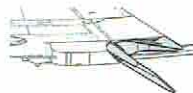
★上部、下部ラジエーターフラップの状態は右の中から1つ選んでください。
★Choose radiator flap positions referring to diagrams at right.
★Die Kühlerklappenstellung gemäß dem Diagramm rechts wählen.
★Choisir la position des volets de radiateurs en se référant aux schémas à droite.



《フラップをすべて下げた状態》
Radiator flaps down
Kühlerklappen unten
Volets de radiateurs baissés

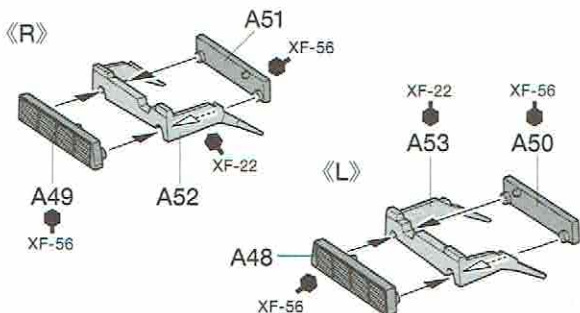


《フラップをすべて上げた状態》
Radiator flaps up
Kühlerklappen oben
Volets de radiateurs levés

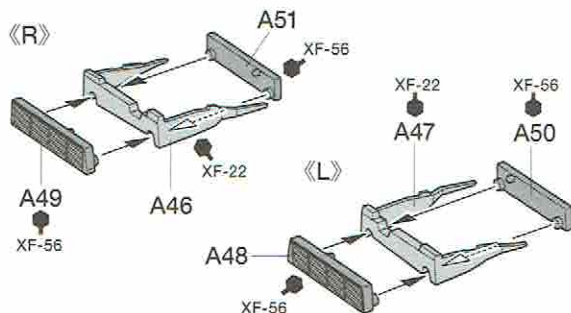


《上部上げ、下部下げ状態》
Combination
Kombination
Combinaison

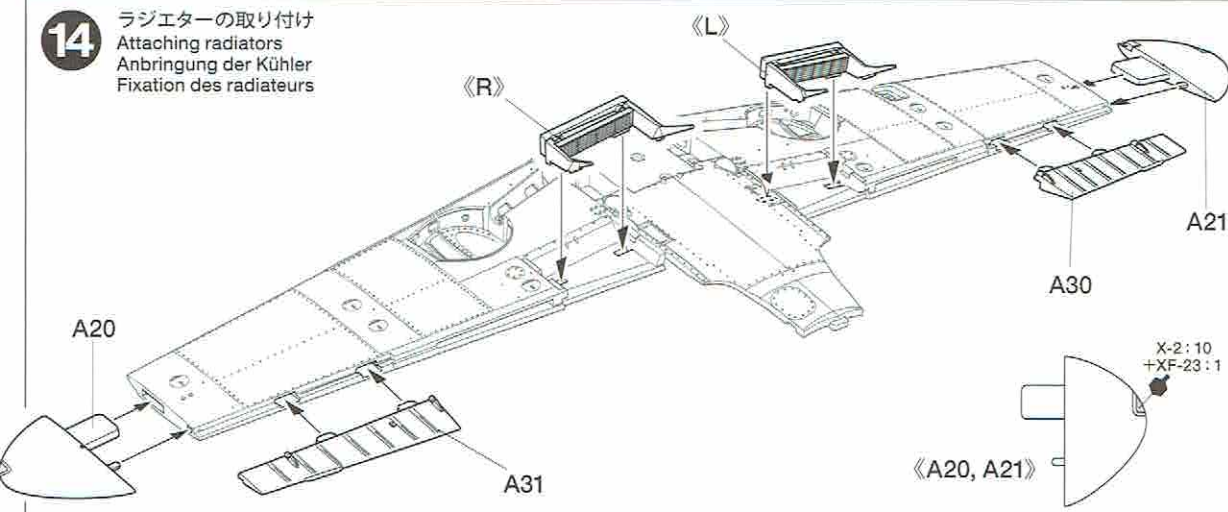
13 《上部ラジエーターフラップ下げ状態》
Upper radiator flaps (down)
Obere Kühlerklappen (unten)
Volets supérieurs de radiateurs (baissés)



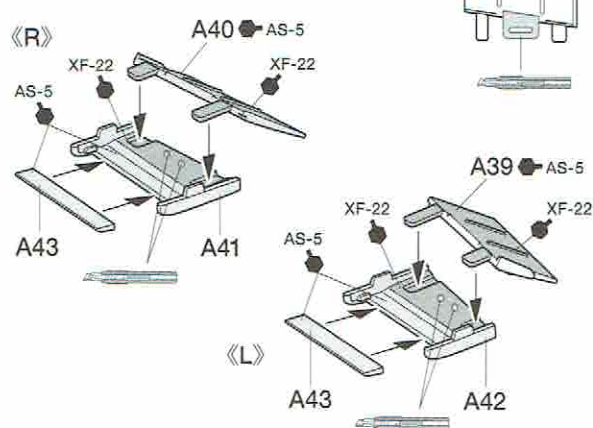
《上部ラジエーターフラップ上げ状態》
Upper radiator flaps (up)
Obere Kühlerklappen (oben)
Volets supérieurs de radiateurs (levés)



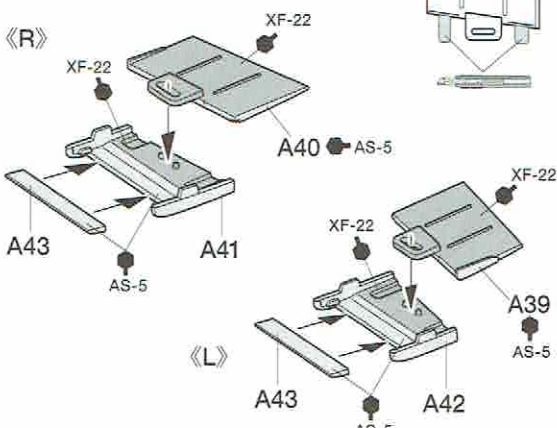
14 ラジエーターの取り付け
Attaching radiators
Anbringung der Kühler
Fixation des radiateurs



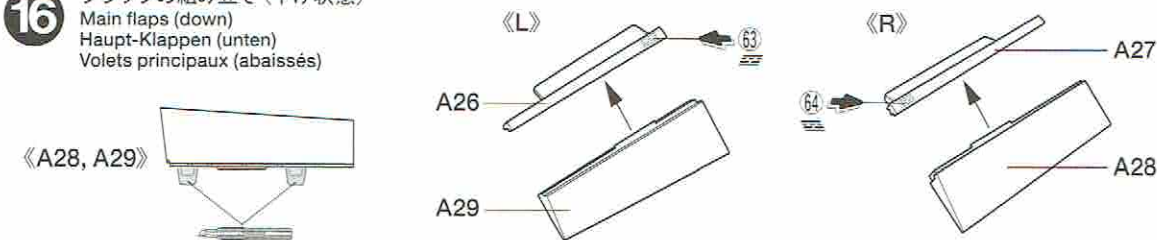
15 《下部ラジエーターフラップ下げ状態》
Lower radiator flaps (down)
Untere Kühlerklappen (unten)
Volets inférieurs de radiateurs (baissés)



《下部ラジエーターフラップ上げ状態》
Lower radiator flaps (up)
Untere Kühlerklappen (oben)
Volets inférieurs de radiateurs (levés)

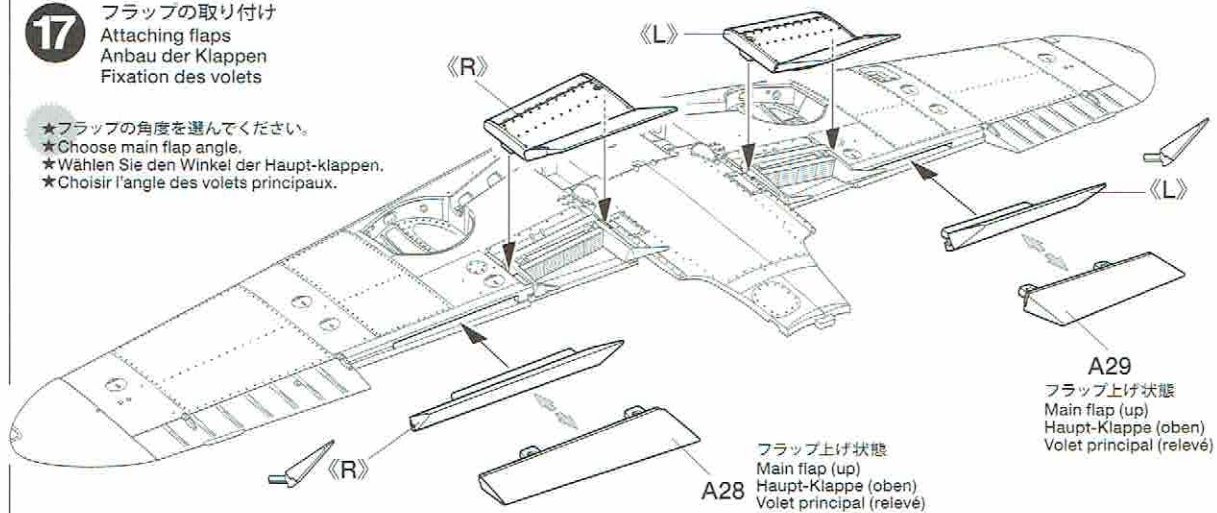


16 フラップの組み立て (下げ状態)
Main flaps (down)
Haupt-Klappen (unten)
Volets principaux (abaissés)



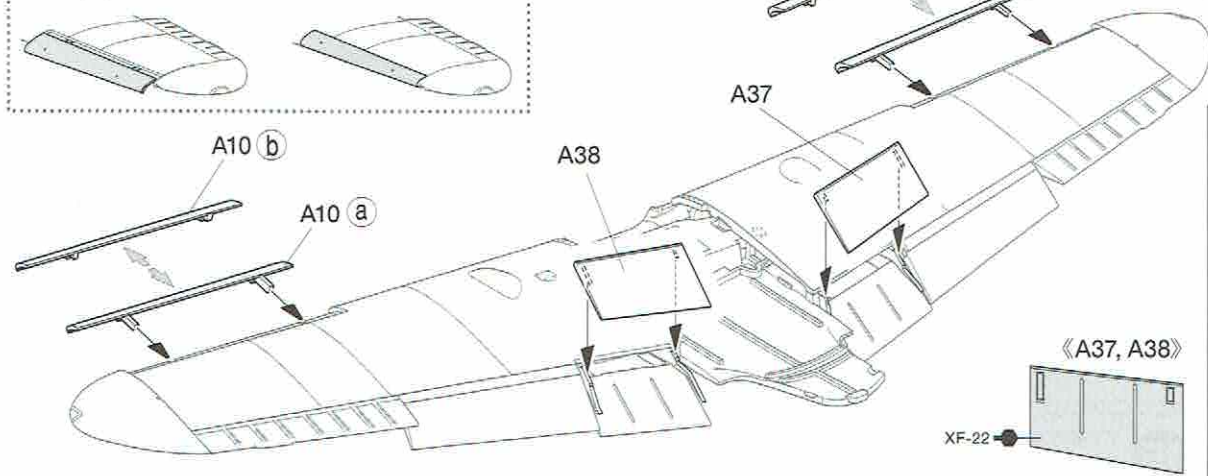
17 フラップの取り付け
Attaching flaps
Anbau der Klappen
Fixation des volets

- ★フラップの角度を選んでください。
- ★Choose main flap angle.
- ★Wählen Sie den Winkel der Haupt-klappen.
- ★Choisir l'angle des volets principaux.

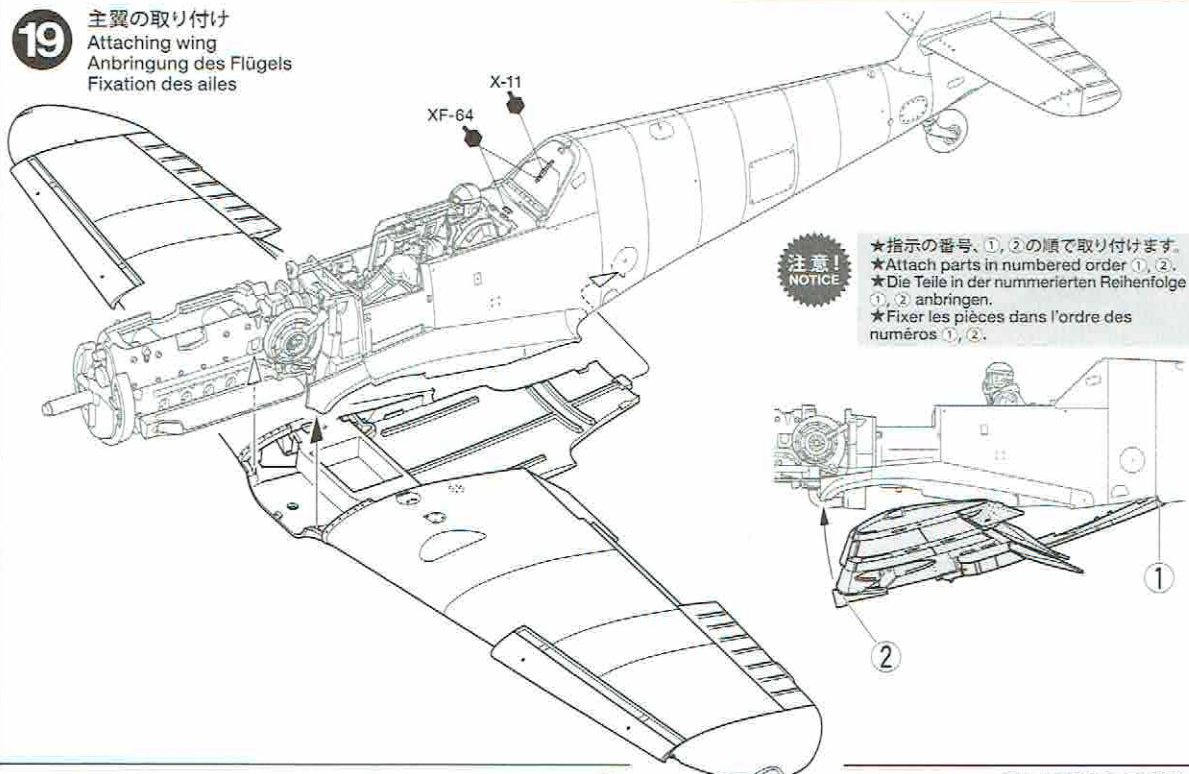


18 前縁スラットの取り付け
Attaching leading edge slats
Befestigung der Vorflügel
Fixation des becs de bord d'attaque

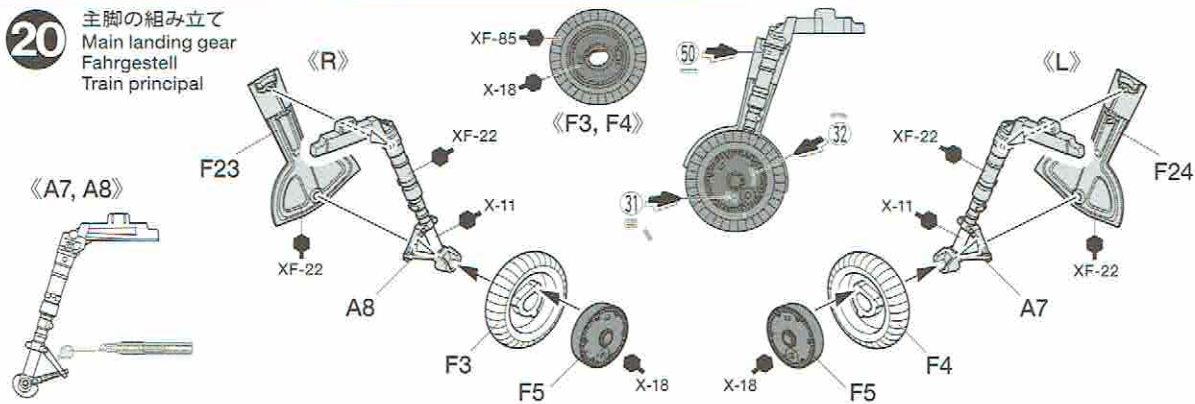
- a** スラット作動状態
Deployed
Ausgefahren
Déployés
- b** スラット収納状態
Flush
Eingefahren
Rentrés



19 主翼の取り付け
Attaching wing
Anbringung des Flügels
Fixation des ailes

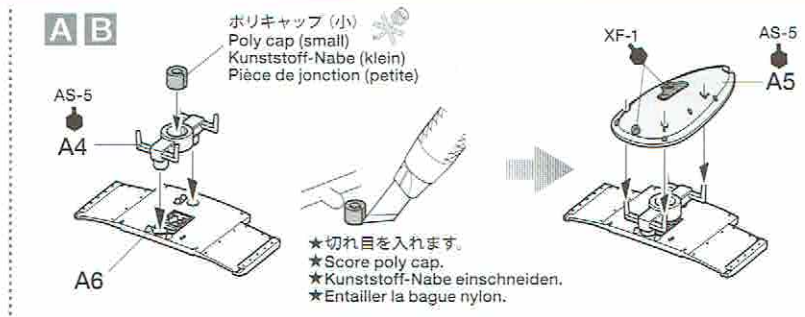
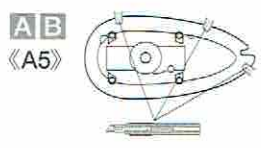
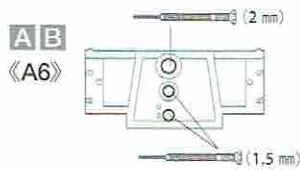


20 主脚の組み立て
Main landing gear
Fahrgestell
Train principal



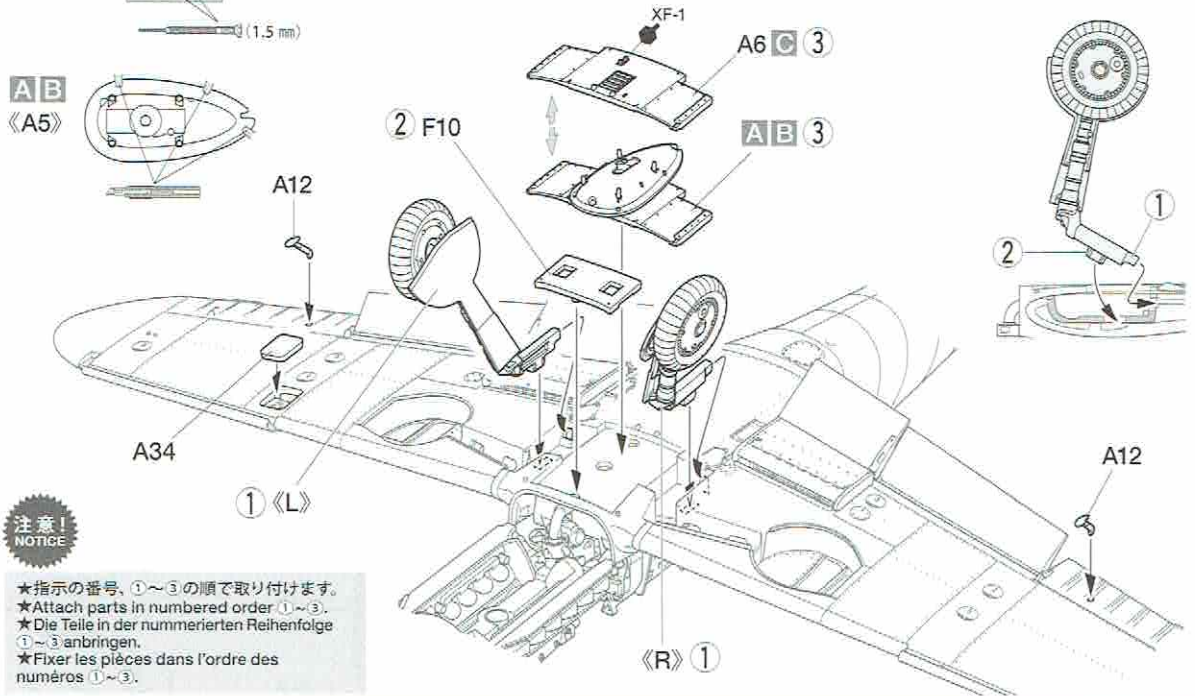
21 主脚の取り付け
Attaching main landing gear
Fahrwerk-Einbau
Fixation du train principal

このマークの部品は接着しません。
Do not cement.
Nicht kleben.
Ne pas coller.

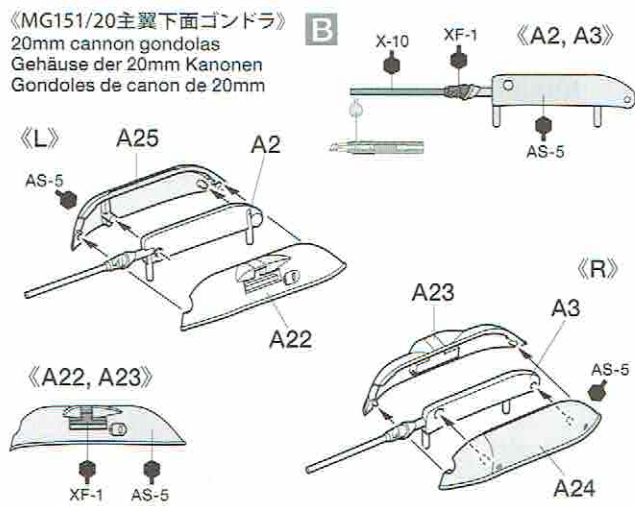
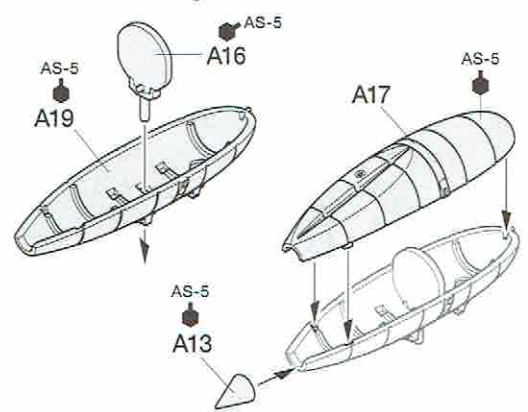


注意!
NOTICE

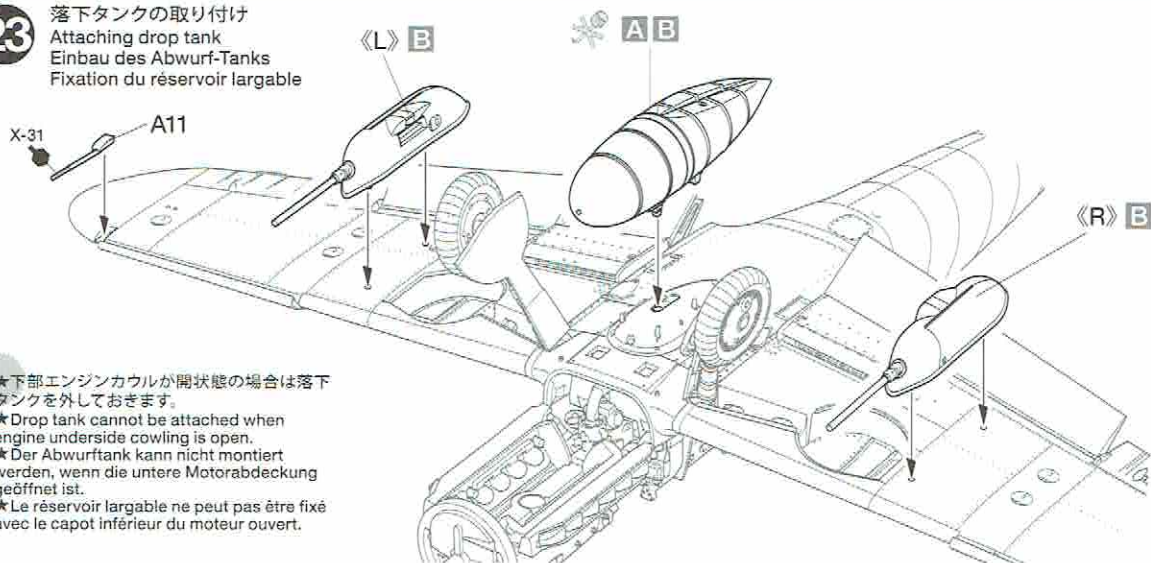
★指示の番号、①～③の順で取り付けます。
★ Attach parts in numbered order ①～③.
★ Die Teile in der nummerierten Reihenfolge ①～③ anbringen.
★ Fixer les pièces dans l'ordre des numéros ①～③.



22 落下タンクの組み立て
Drop tank
Abwurf-Tank
Réservoir largable

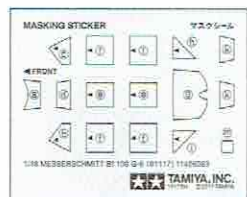


23 落下タンクの取り付け
Attaching drop tank
Einbau des Abwurf-Tanks
Fixation du réservoir largable



★下部エンジンカウルが開状態の場合は落下タンクを外しておきます。
★Drop tank cannot be attached when engine underside cowling is open.
★Der Abwurf-tank kann nicht montiert werden, wenn die untere Motorabdeckung geöffnet ist.
★Le réservoir largable ne peut pas être fixé avec le capot inférieur du moteur ouvert.

24 キャンピーの塗装
Painting canopy
Bemalung der Kabinendach
Peinture de la verrière

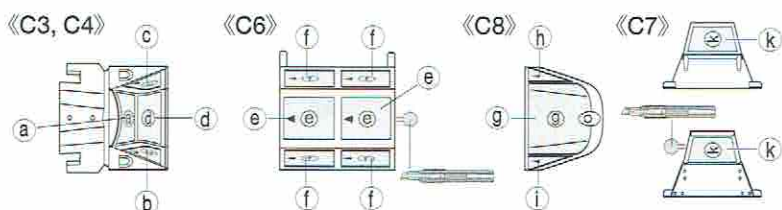


マスキングシール
Masking stickers
Abkleber
Masques

★カッターなどで切り抜きます。
★Cut off using a modeling knife.
★Mit Messer abschneiden.
★Découper en utilisant un cutter.

★キャンピー開状態は切り取ります。
★Remove for closed canopy.
★Für geschlossene Kabinenhaube entfernen.
★Enlever pour verrière fermée.

★キャンピーの塗装の仕方はP16を参考にしてください。
★See page 16 for painting tech tip.
★Siehe Seite 16 für einen Tech-Tip.
★Voir la page 16 pour des conseils de mise en peinture.



《前部キャンピー》
Front canopy
Vordere Kanzel
Pare-brise

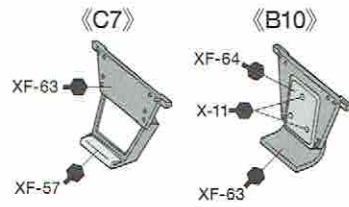
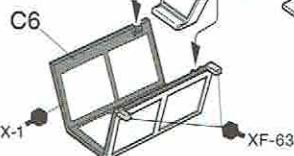
A B C3
C C4

《中央キャンピー》
Center canopy
Mittelteil der Kanzel
Verrière centrale

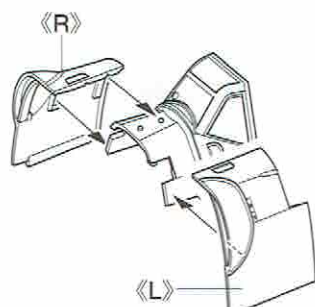
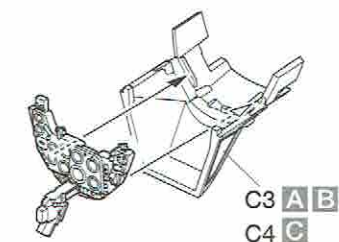
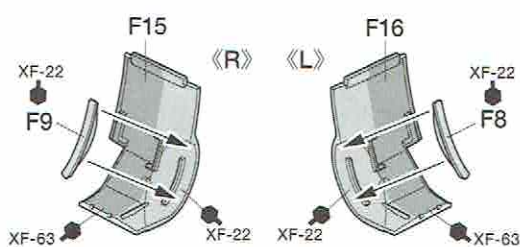
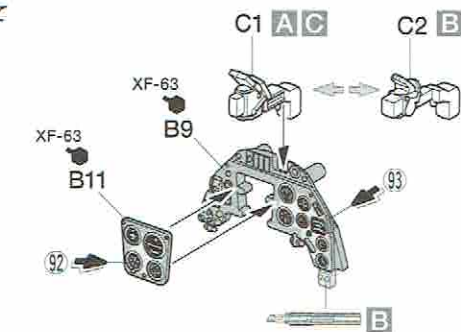
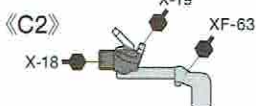
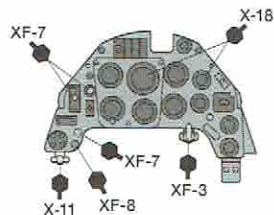
C7 A B10 B C

《後部キャンピー》
Rear canopy
Hintere Kanzel
Verrière arrière

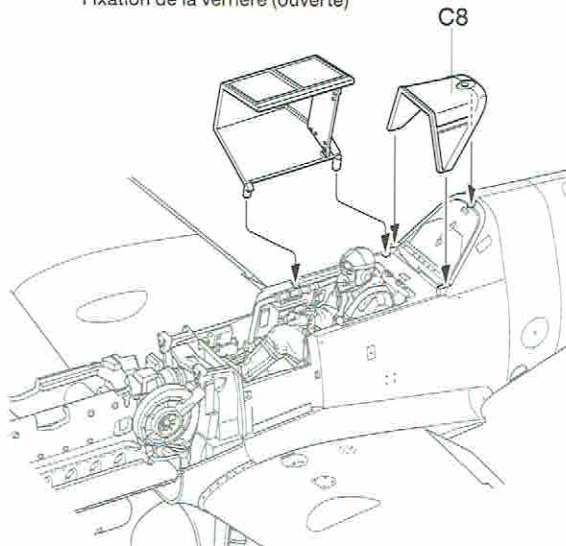
C8



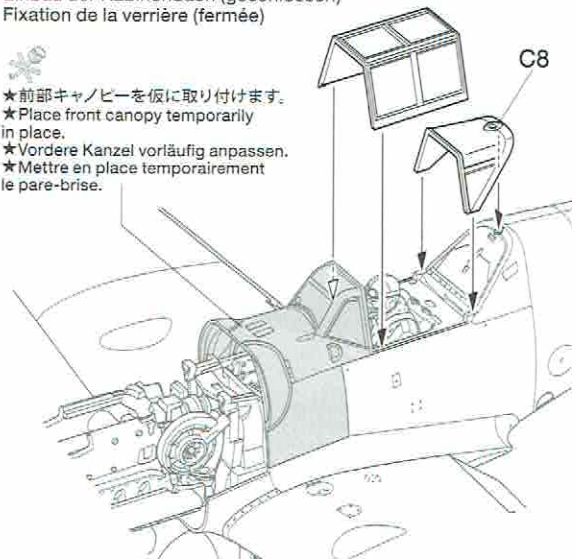
25 前部キャンピーの組み立て
Front canopy
Vordere Kanzel
Pare-brise



26 《キャンピーの取り付け（開状態）》
Attaching canopy (open)
Einbau der Kabinendach (offen)
Fixation de la verrière (ouverte)



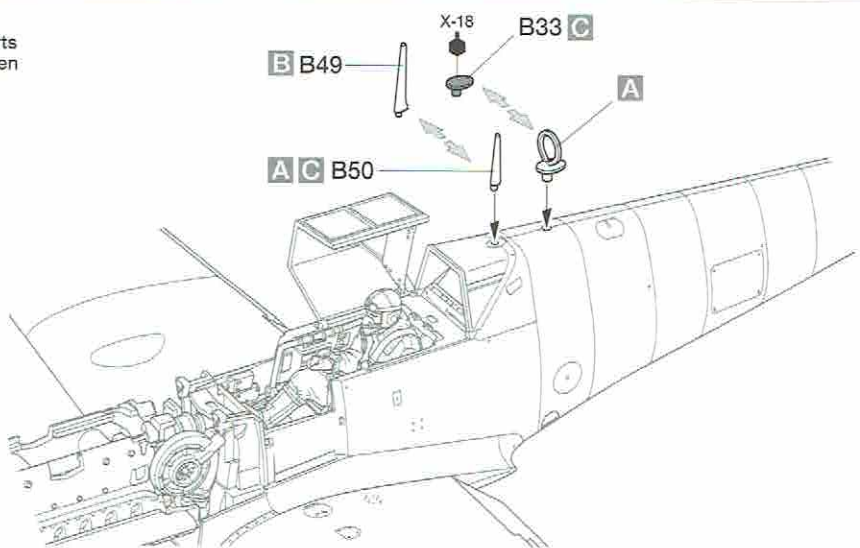
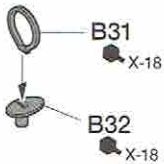
《キャンピーの取り付け（閉状態）》
Attaching canopy (closed)
Einbau der Kabinendach (geschlossen)
Fixation de la verrière (fermée)



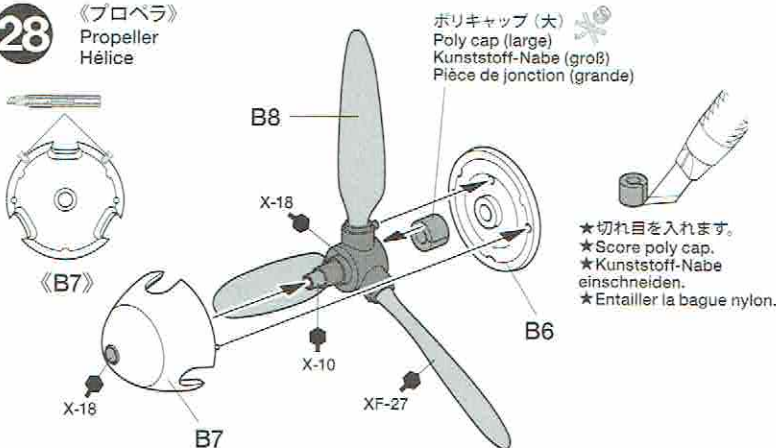
- ★ 前部キャンピーを仮に取り付けます。
- ★ Place front canopy temporarily in place.
- ★ Vordere Kanzel vorläufig anpassen.
- ★ Mettre en place temporairement le pare-brise.

27 機体上部部品の取り付け
Attaching upper fuselage parts
Einbau der oberen Rumpfteile
Fixation des équipements du fuselage supérieur

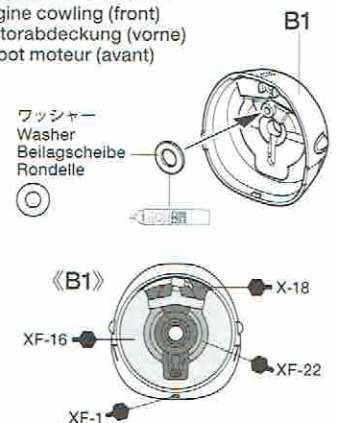
《ループアンテナ》 A
Loop antenna
Ringantenne
Antenne gonio



28 《プロペラ》
Propeller
Hélice



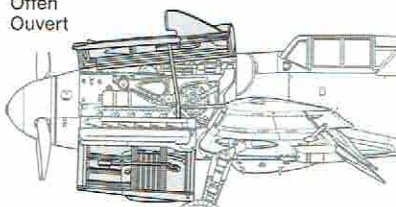
《前部エンジンカウル》
Engine cowling (front)
Motorabdeckung (vorne)
Capot moteur (avant)



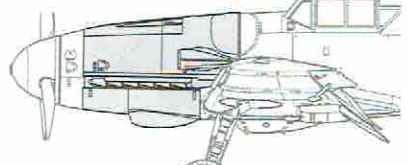
注意!
NOTICE

★ エンジンカウルは開状態と閉状態の2種類を完成後も組み替えることができます。
★ Both open and closed engine cowlings can be assembled, and interchanged as you like.
★ Die offenen und die geschlossenen Motorabdeckungen können beide gebaut werden und bei Bedarf ausgetauscht werden.
★ Des capots ouverts et fermés peuvent être assemblés, et inter changés si on le souhaite.

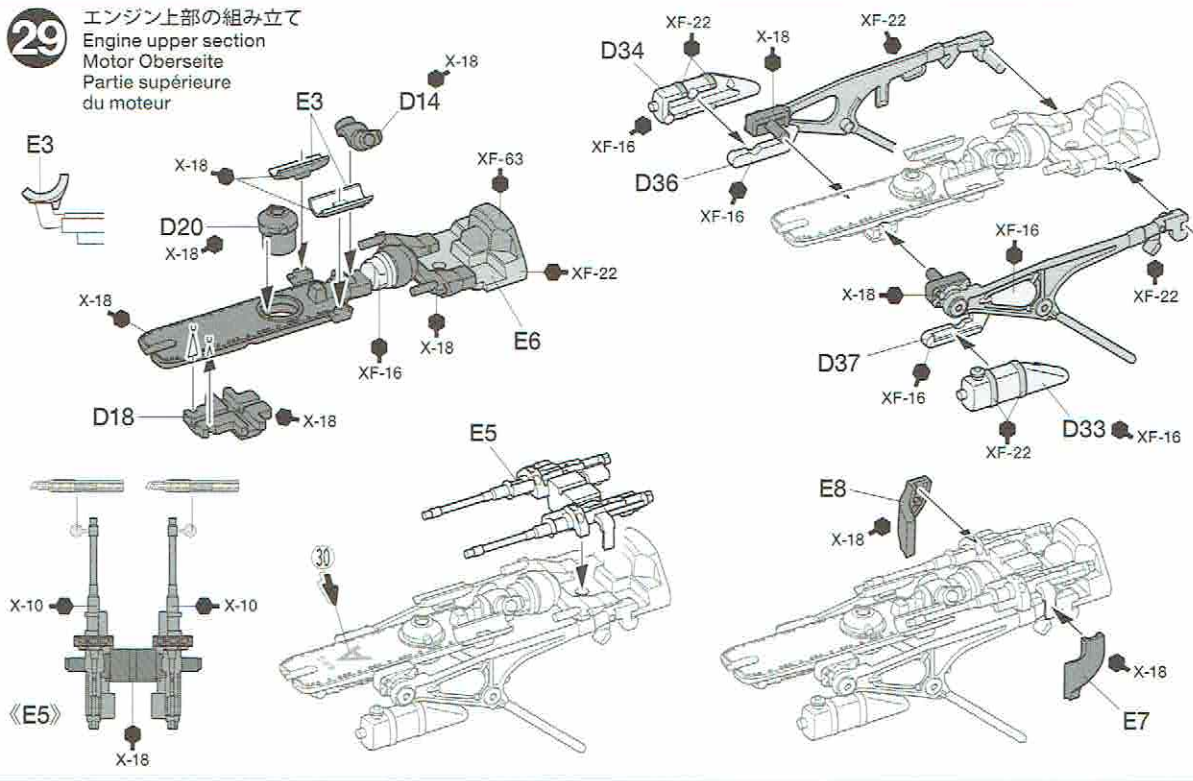
《開状態》
Open
Offen
Ouvert



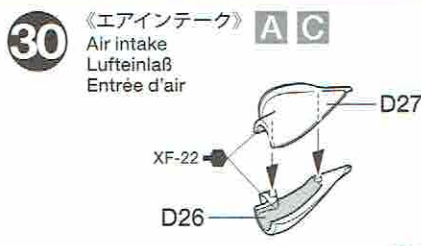
《閉状態》
Closed
Geschlossen
Fermé



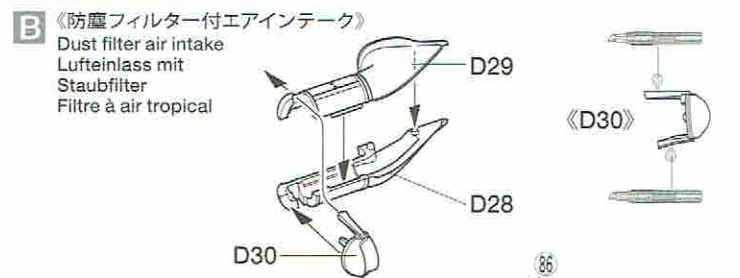
29 エンジン上部の組み立て
 Engine upper section
 Motor Oberseite
 Partie supérieure du moteur



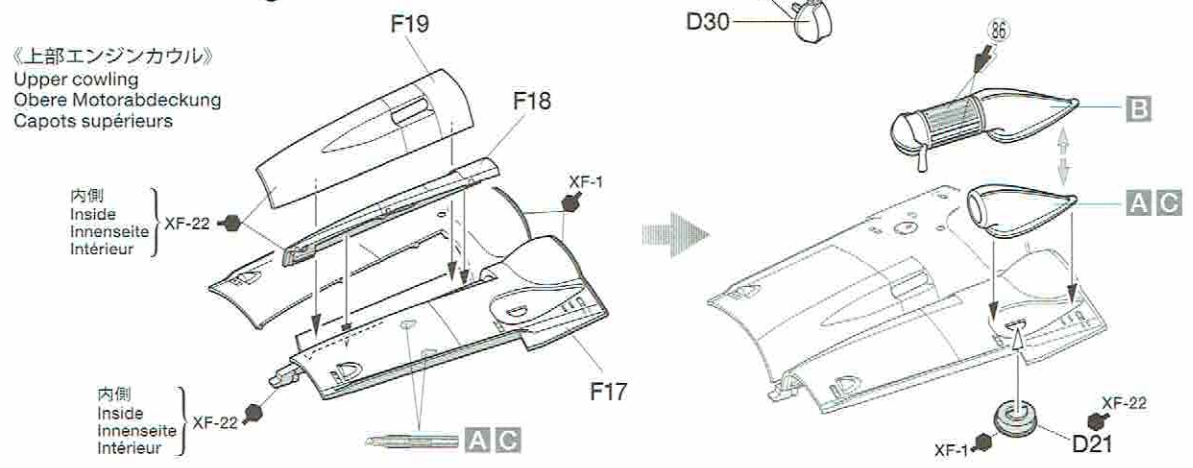
30 《エアインテーク》 **A C**
 Air intake
 Luftenlaß
 Entrée d'air



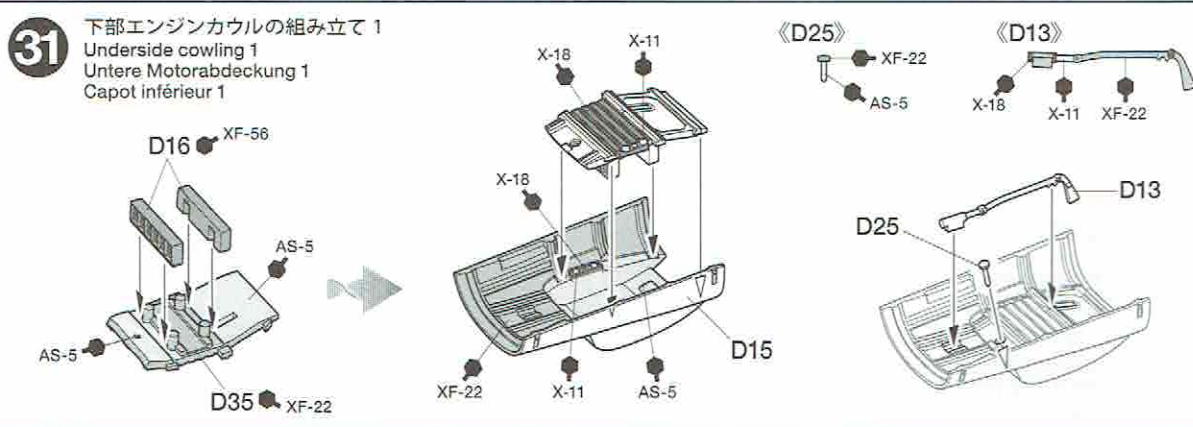
B 《防塵フィルター付エアインテーク》
 Dust filter air intake
 Luftenlass mit
 Staubfilter
 Filtre à air tropical



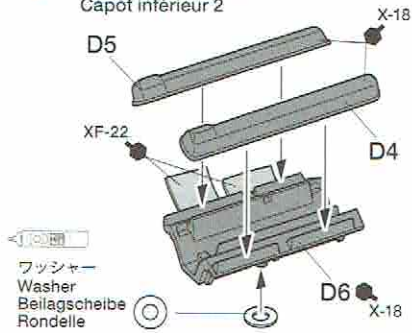
《上部エンジンカウル》
 Upper cowl
 Obere Motorabdeckung
 Capots supérieurs



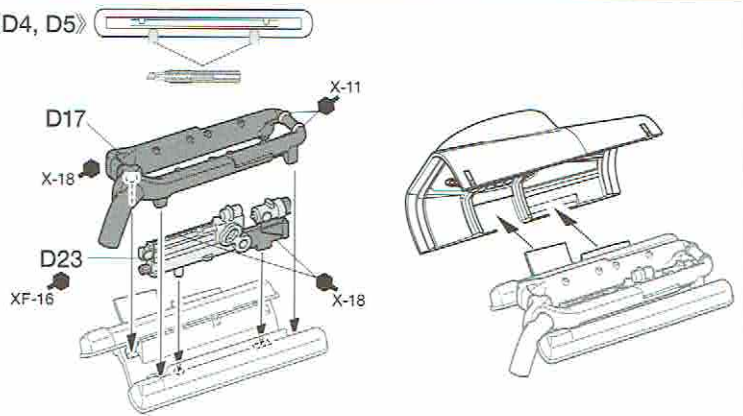
31 下部エンジンカウルの組み立て 1
 Underside cowl
 Untere Motorabdeckung 1
 Capot inférieur 1



32 下部エンジンカウルの組み立て 2
Underside cowling 2
Untere Motorabdeckung 2
Capot inférieur 2



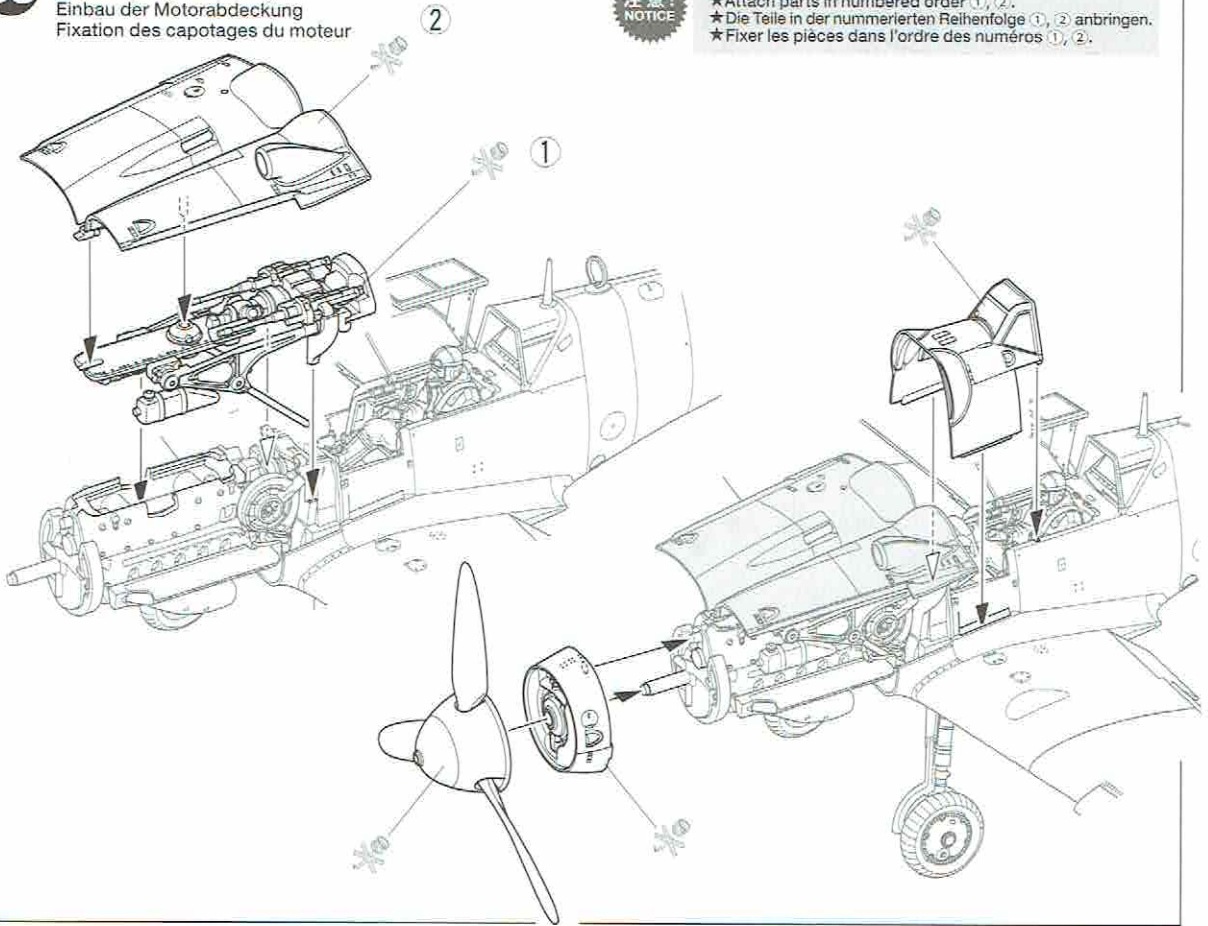
《D4, D5》



33 エンジンカウルの取り付け
Attaching engine cowlings
Einbau der Motorabdeckung
Fixation des capotages du moteur

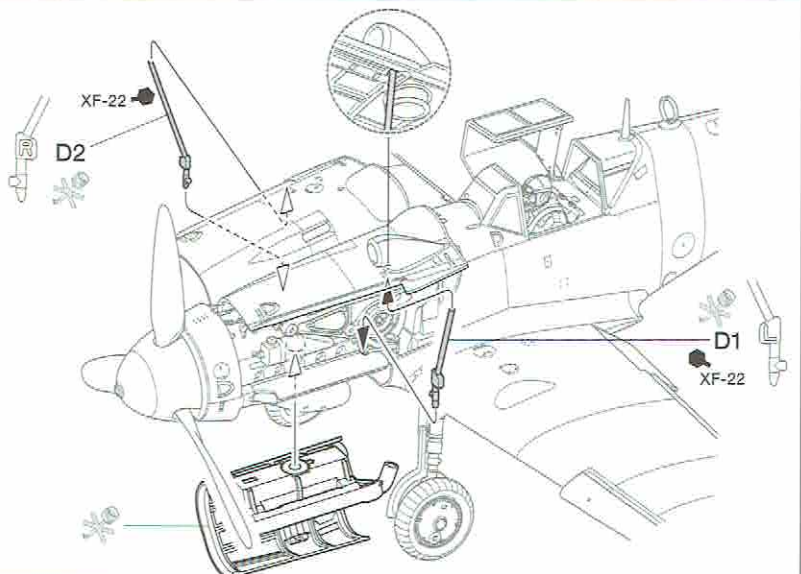
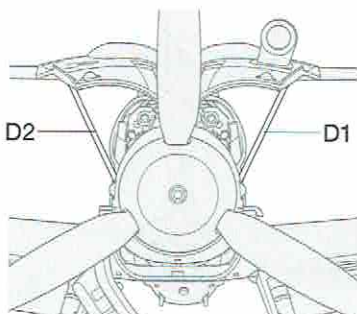
注意!
NOTICE

- ★指示の番号、①、②の順で取り付けます。
- ★Attach parts in numbered order ①, ②.
- ★Die Teile in der nummerierten Reihenfolge ①, ② anbringen.
- ★Fixer les pièces dans l'ordre des numéros ①, ②.

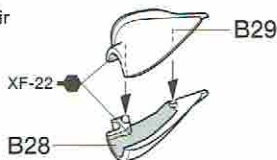


34 下部エンジンカウルの取り付け
Attaching underside cowling
Anbau der unteren Motorabdeckung
Fixation du capot inférieur

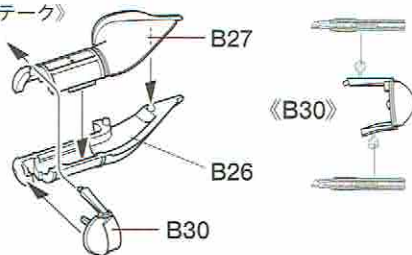
- ★図のように取り付けます。
- ★Attach as shown.
- ★Gemäß Abbildung einbauen.
- ★Fixer comme indiqué.



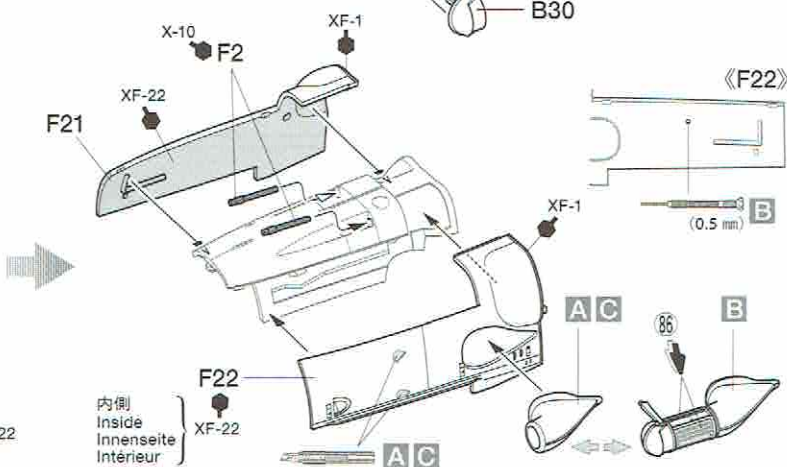
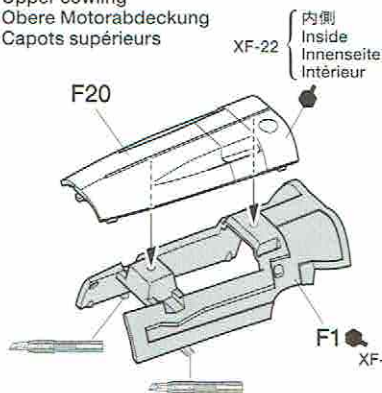
35 《エアインテーク》 **A C**
Air intake
Lufteinlaß
Entrée d'air



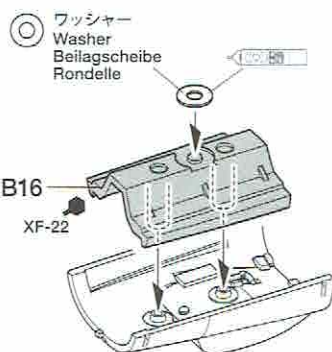
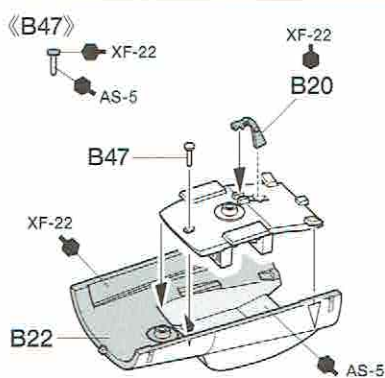
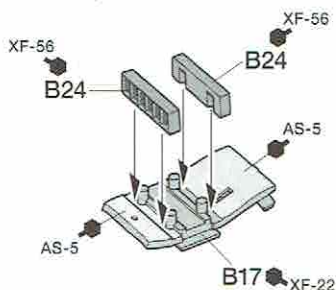
B 《防塵フィルター付エアインテーク》
Dust filter air intake
Lufteinlass mit Staubfilter
Filtre à air tropical



《上部エンジンカウル》
Upper cowling
Obere Motorabdeckung
Capots supérieurs

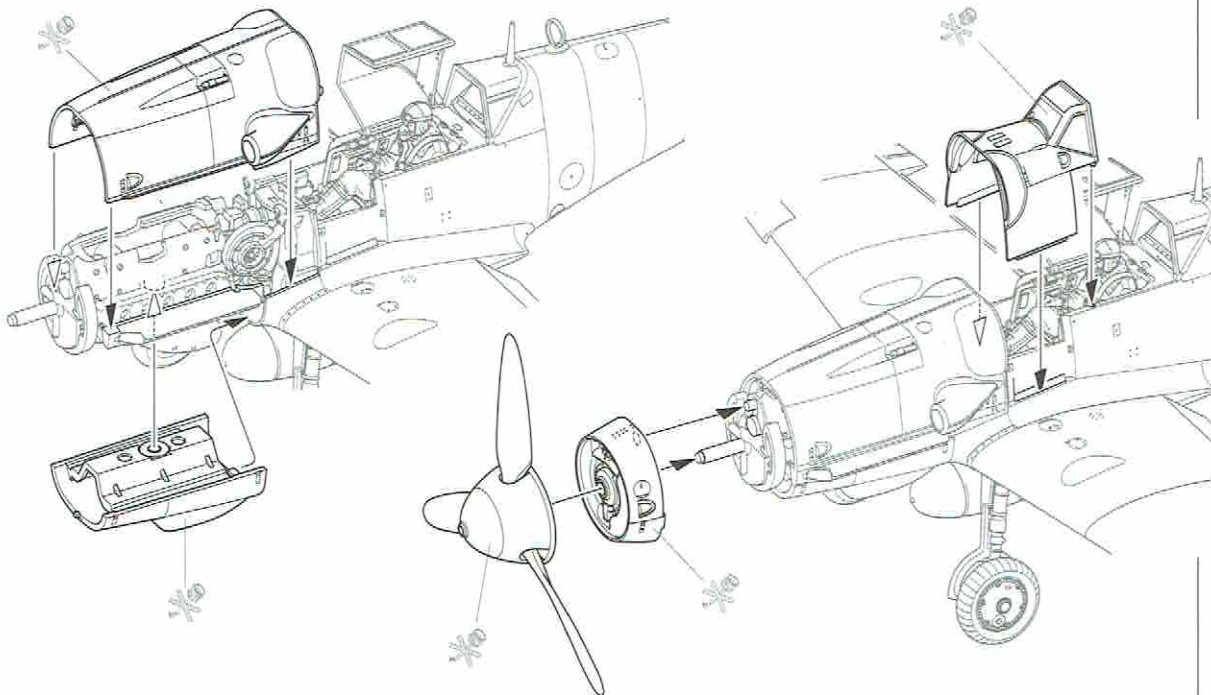


36 下部エンジンカウルの組み立て
Underside cowling
Untere Motorabdeckung
Capot inférieur



37 エンジンカウルの取り付け
Attaching engine cowlings
Einbau der Motorabdeckung
Fixation des capotages du moteur

- ★エンジン上部は取り付けません。
- ★Do not attach engine upper section.
- ★Motor Oberseite nicht anbauen.
- ★Ne pas fixer la partie supérieure du moteur.



STENCILS

《機体ステンシルについて》

機体ステンシルは整備上の注意やコードなどが書かれたもので、下図に指示されたものは各機体とも同じ場所に記されていました。

Fuselage stencils

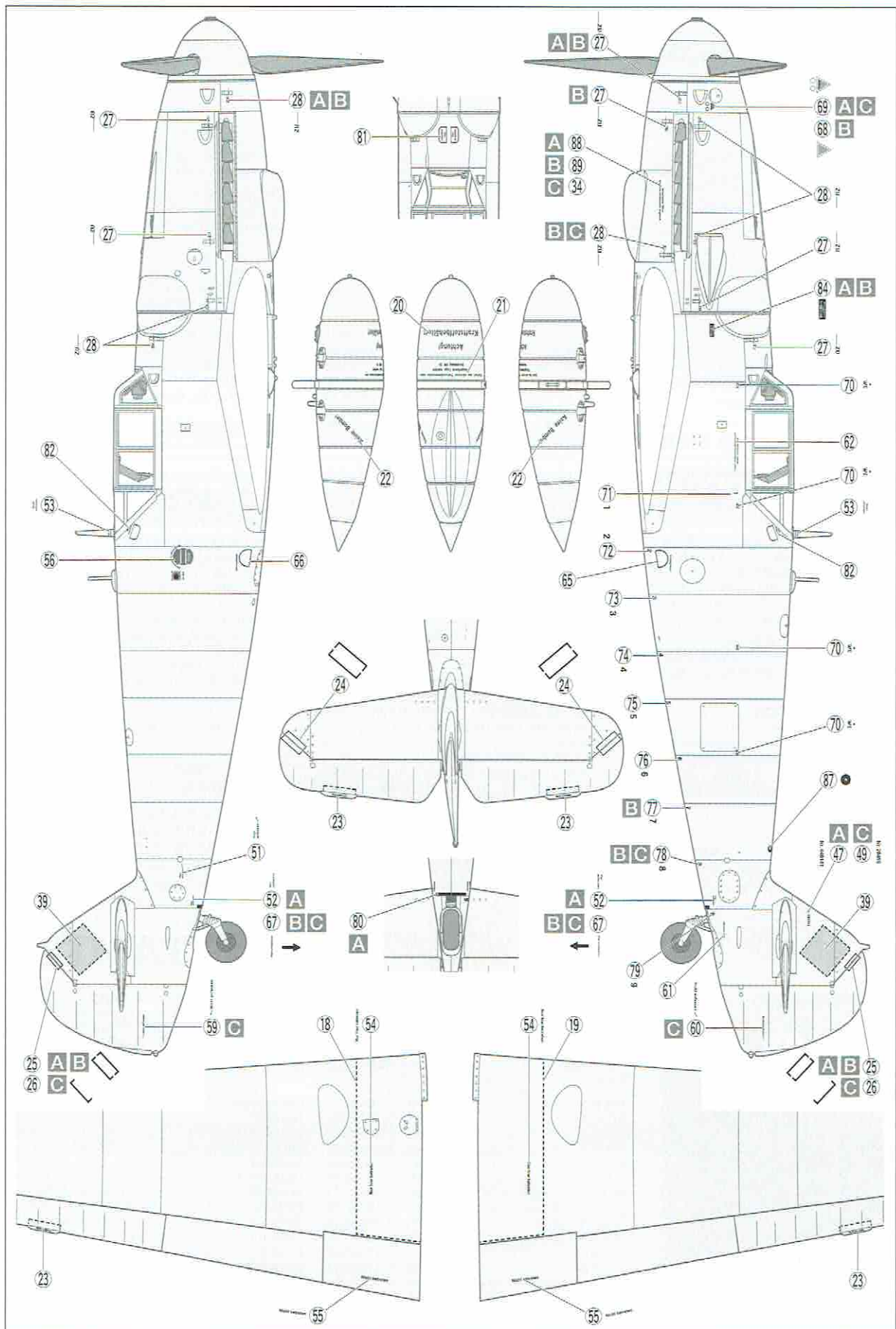
Fuselage stencils indicated maintenance cautions and identification codes, and those listed below were placed at the same location on each type of aircraft.

Rumpfschablonen

Rumpfschablonen dienen für Warnhinweise zur Wartung und Kennzeichen, die unten aufgeführten befanden sich bei jedem Flugzeugtyp immer an derselben Stelle.

Marques de servitude du fuselage

Ces marquages indiquaient des procédures de maintenance et des codes d'identification. Ceux listés ci-dessous étaient placés aux mêmes endroits sur chaque avion.



TECH TIP

- 風防内側の色を簡単に塗装する方法です。
- ①風防の外側、内側をマスキングしたら、外側からX-1を塗ります。
- ②その上から機体色を塗装し、マスキングをはがします。
- To paint canopy, first mask off window parts on outside of canopy. Then, paint undercoat of black (X-1), followed by fuselage color.
- Zum Lackieren der Kanzel zuerst die Fensterbereiche von außen abkleben. Dann eine schwarze Grundierung (X-1) und darauf die Rumpffarbe auftragen.
- Pour peindre la verrière, masquer l'extérieur des parties vitrées puis appliquer une couche de noir (X-1) puis la teinte du fuselage.



内側 Inside Innenseite Intérieur } 別売のマスキングテープを使います。 Use masking tape (sold separately). Abklebeband (getrennt erhältlich) benutzen. Utiliser de la bande cache (disponible séparément).

PAINTING

《メッサーシュミット Bf109 G-6の塗装》

第二次大戦末期の1944年7月まで、ドイツ軍戦闘機の基本塗装は上面がグレイグリーンとグレイバイオレットの折線分割迷彩、下面はライトブルーとされました。胴体側面は基本塗装の上から上面色などを使ってボカシの強い斑点などを入れる、モットリングと呼ばれる迷彩を施した機体も多く見られました。細部の塗装は組立図中にタミヤカラー・エナメル塗料、アクリル塗料、スプレー塗料の色番号で指示しました。迷彩やモットリングのパターンは別紙塗装図やパッケージサイドのイラストも参考にしてください。

Painting the Bf109 G-6

Until July 1944, Luftwaffe day fighters

including the Bf109 G-6 had upper surfaces in gray-green and gray-violet camouflage, and undersurfaces painted light blue. Fuselage side surfaces on many aircraft had a mottled effect painted over the top of the camouflage. Painting instructions for details are indicated during assembly. Please also refer to the separate sheet and package illustration for camouflage and mottling patterns.

Bemalung der Bf109 G-6

Bis Juli 1944 hatten Tagjäger wie die Bf109 G-6 eine Tarnlackierung aus graugrün und grau-violett auf der Oberseite und hellblau auf der Unterseite. Die Rumpfsseiten einiger Flugzeuge hatten wolkige Flecken über der Tarnlackierung. Bemalungshinweise für Details sind in der Anleitung angegeben. Beachten Sie auch das separate Blatt und

die Illustrationen auf der Verpackung für die Tarnung und die Flecken.

Peinture du Bf109 G-6

Jusqu'en juillet 1944, les chasseurs de jour de la Luftwaffe dont le Bf109 G-6 avaient des surfaces supérieures camouflées en gris-vert et gris-violet et de surfaces inférieures bleu clair. Sur de nombreux appareils, les flancs du fuselage étaient tachetés par-dessus le camouflage. Les instructions de mise en peinture de détails sont fournies durant l'assemblage. Se reporter également au feuillet séparé et aux illustrations de la boîte pour le schéma de camouflage.

APPLYING DECALS

《スライドマークの貼り方》

- ①はりたいマークをハサミで切り抜きます。
- ②マークをぬるま湯に10秒ほどひたしてからタオル等の布の上に置きます。
- ③台紙のはしを手で持ち、貼るところにマークをスライドさせてモデルに移してください。
- ④指に少し水をつけてマークをぬらしながら、正しい位置にずらしします。
- ⑤やわらかな布でマークの内側の気泡を押し出しながら、押しつけるようにして水分をとりまします。

DECAL APPLICATION

- ①Cut off decal from sheet.

- ②Dip the decal in tepid water for about 10 sec. and place on a clean cloth.
- ③Hold the backing sheet edge and slide decal onto the model.
- ④Move decal into position by wetting decal with finger.
- ⑤Press decal down gently with a soft cloth until excess water and air bubbles are gone.

ANBRINGUNG DES ABZIEHBILDES

- ①Abziehbild vom Blatt ausschneiden.
- ②Das Abziehbild ungefähr 10 Sek. in lauwarmes Wasser tauchen, dann auf sauberen Stoff legen.
- ③Die Kante der Unterlage halten und das Abziehbild auf das Modell schieben.
- ④Das Abziehbild an die richtige Stelle schieben und dabei mit dem Finger das

Abziehbild naßmachen.

- ⑤Das Abziehbild leicht mit einem weichen Tuch andrücken, bis überschüssiges Wasser und Luftblasen entfernt sind.

APPLICATION DES DÉCALCOMANIES

- ①Découpez la décalcomanie de sa feuille.
- ②Plongez la décalcomanie dans de l'eau tiède pendant 10 secondes environ et posez sur un linge propre.
- ③Retenez la feuille de protection par le côté et glissez la décalcomanie sur le modèle réduit.
- ④Placez la décalcomanie à l'endroit voulu en la mouillant avec un de vos doigts.
- ⑤Pressez doucement la décalcomanie avec un tissu doux jusqu'à ce que l'eau en excès et les bulles aient disparu.

部品請求について

For use in Japan only!

★部品をなくしたり、こわした方は、このステッカーがはられたカスタマーサービス取次店でご注文いただけます。また、当社カスタマーサービスに直接ご注文する場合は、右記の方法でご注文することができます。詳しくは当社カスタマーサービスまでお問い合わせください。



- ①《郵便振替のご利用法》
郵便局の払込用紙の通信欄に下のリストを参考にITEM番号、スケール、製品名、部品名、部品コード、数量を必ずご記入ください。振込人住所欄にはお電話番号もお書きいただき、口座番号・00810-9-1118、加入者名・(株)タミヤでお振込ください。

- ②《代金引換のご利用法》
パーツ代金に加えて代引き手数料(300円+税)をご負担いただければ、電話またはホームページより代金引換によるご注文をお受けいたします。

- ③《タミヤカードのご利用法》
タミヤカードをご利用の場合、代金はご指定金融機関の口座引き落としとなります。ご注文は電話またはホームページよりお受けいたします。

《住所》 〒422-8610 静岡県駿河区泉田原3-7
株式会社タミヤ カスタマーサービス係

《お問い合わせ電話番号》

静岡 054-283-0003

東京 03-3899-3765 (静岡へ自動転送)

※通話料等をお確かめの上、おかけ間違いのないようお願いいたします。

《カスタマーサービスアドレス》

<http://tamiya.com/japan/customer/index.html>



メッサーシュミットBf109 G-6

ITEM 61117

★本体価格(税抜き)は2017年11月現在のものです。諸事情により変更となる場合があります。★ご購入に際しては、本体価格に消費税を加えてご注文ください。(小銭以下切り捨て)

部品名	本体価格	部品コード
A/パーツ	820円 +税	19006665
B/パーツ	820円 +税	19006666
C/パーツ	460円 +税	19006667
D、E/パーツ	680円 +税	19006668
F/パーツ	700円 +税	19006669
ポリキャップ大(x4)	120円 +税	19442023
ポリキャップ小(x8)	200円 +税	10446168
ワッシャー(x10)	200円 +税	19804508
マグネット(x2)	280円 +税	19446071
マークa	140円 +税	11406292
マークb	340円 +税	11406293
マスクシール	260円 +税	11426093
説明図	320円 +税	11056502
塗装図	360円 +税	11056507
解説文	300円 +税	11056503

AFTER MARKET SERVICE CARD

When purchasing replacement parts, please take or send this form to your local Tamiya dealer so that the parts required can be correctly identified. Please note that specifications, availability and price are subject to change without notice.

Parts code	ITEM 61117
19006665	A Parts
19006666	B Parts
19006667	C Parts
19006668	D、E Parts
19006669	F Parts
19442023	Poly Caps (Large x4)
10446168	Poly Caps (Small x8)
19804508	Washers (x10)
19446071	Magnets (x2)
11406292	Decals (a)
11406293	Decals (b)
11426093	Masking Stickers
11056502	Instructions
11056507	Painting Guide
11056503	Cover Story Leaflet

1/48
Aircraft

www.tamiya.com

MESSERSCHMITT Bf109 G-6

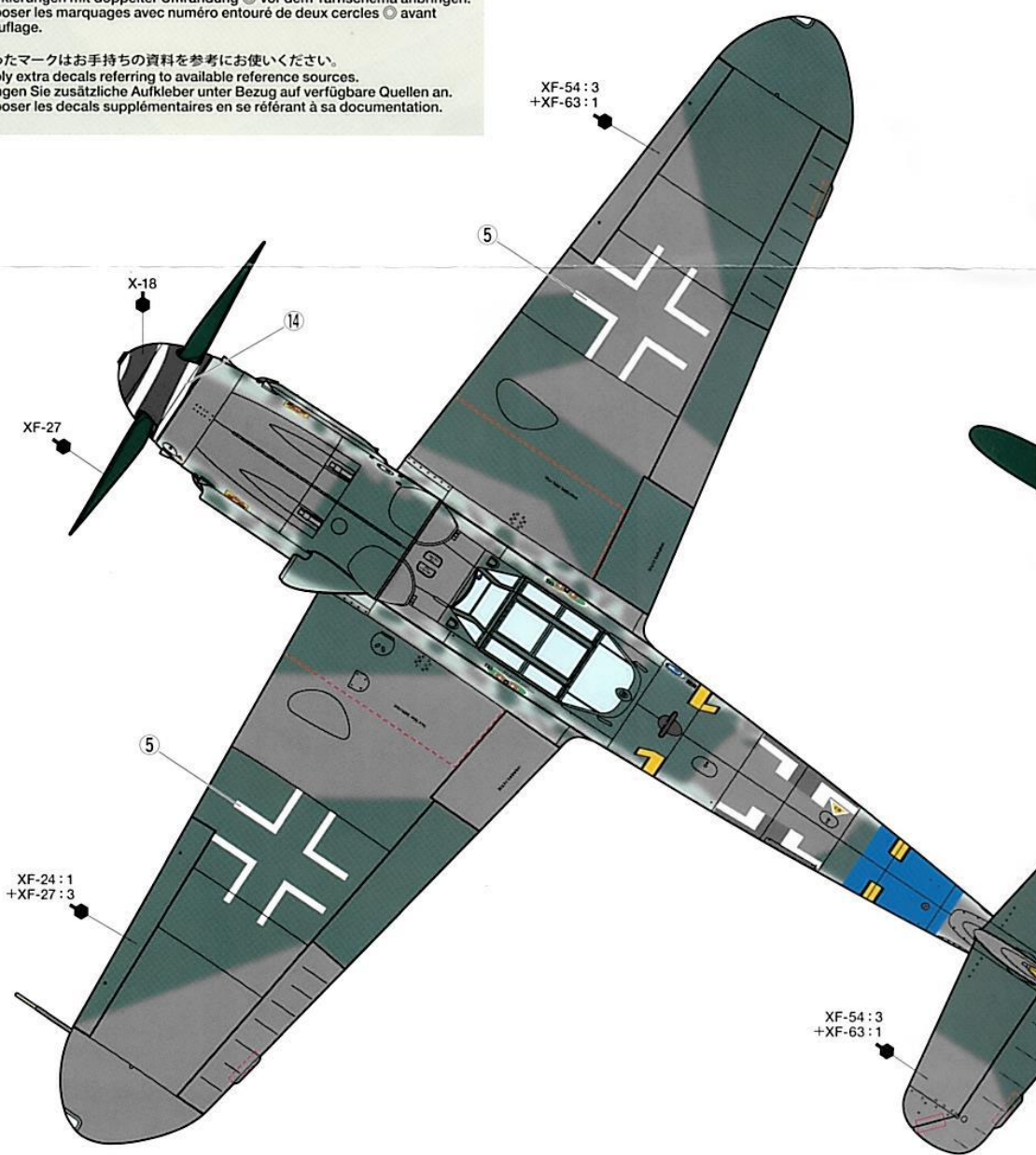
1/48 SCALE AIRCRAFT SERIES NO.117

A 《第54戦闘航空団 第III飛行隊 第9中隊 中隊長機》 1944年2月
9./JG54, February 1944

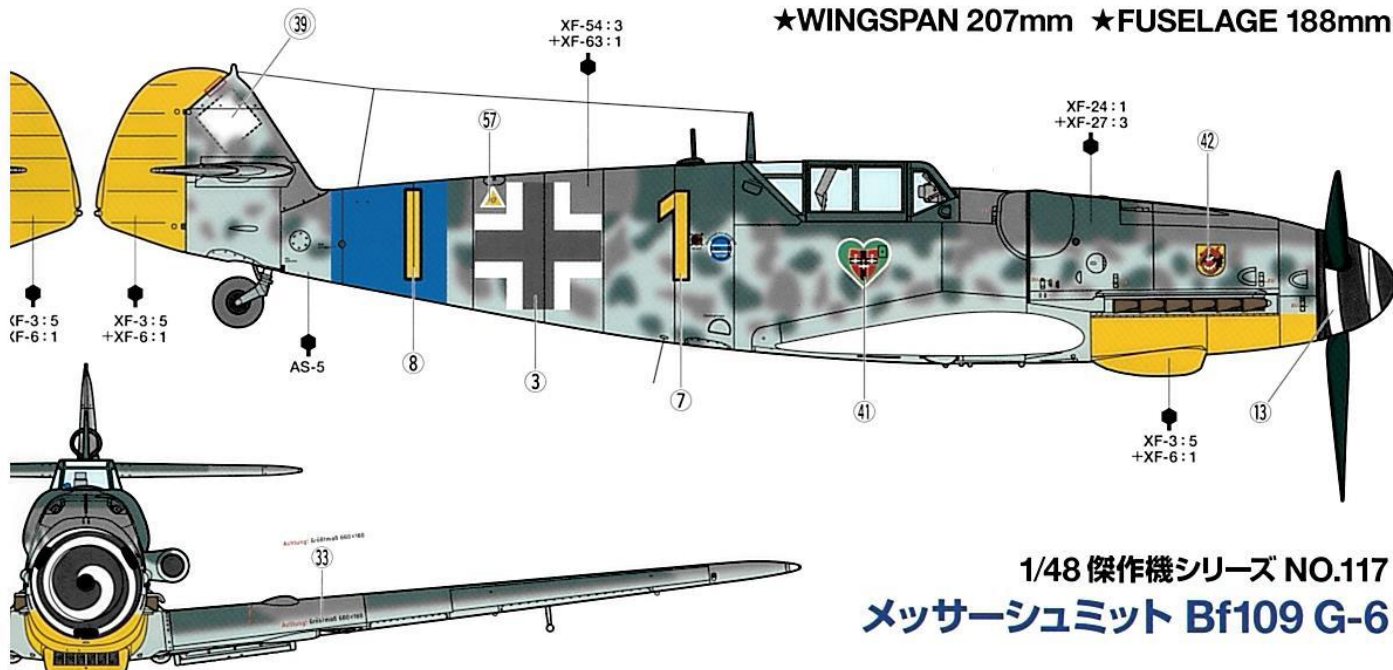


注意!
NOTICE

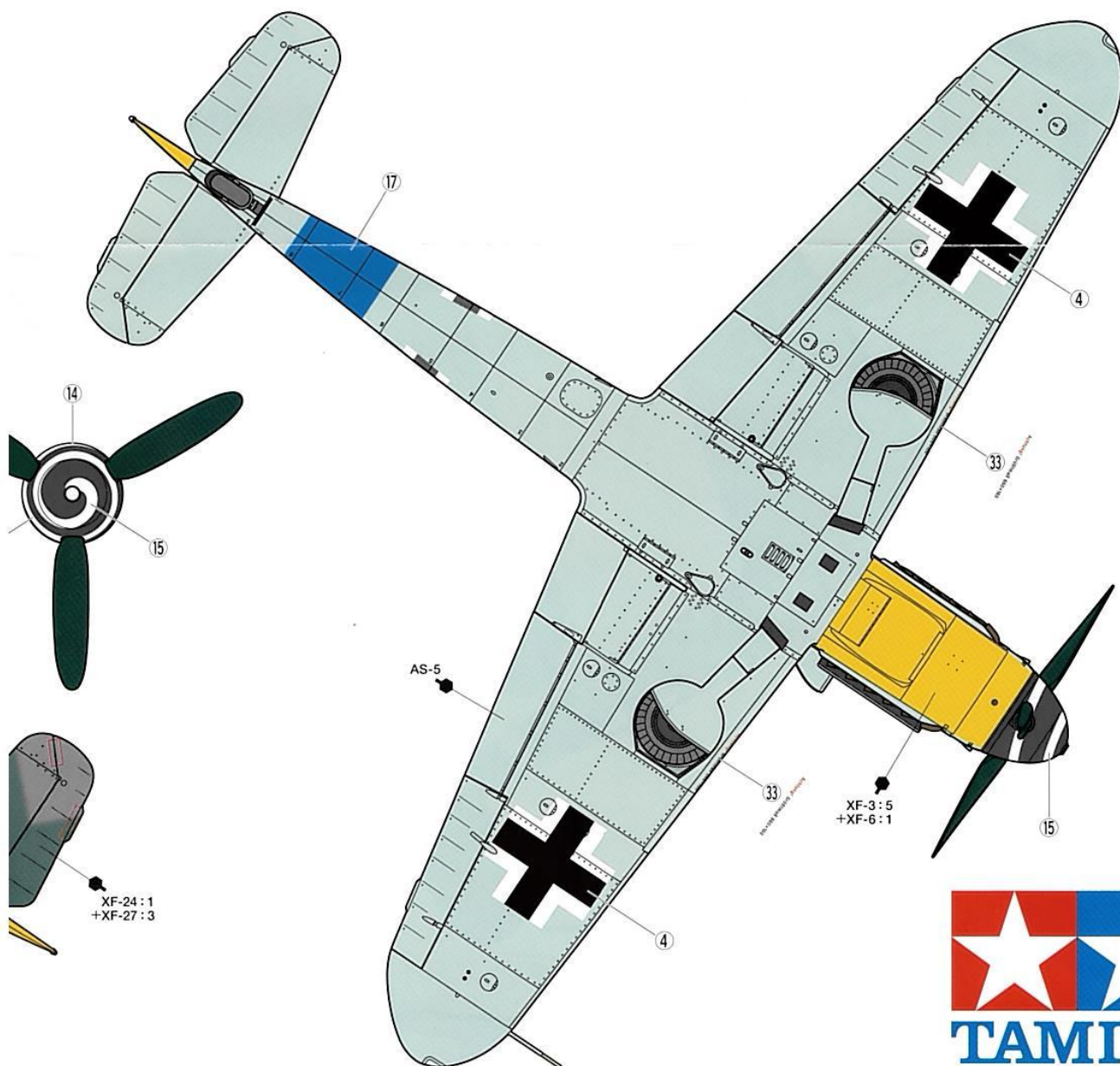
- ★◎のマークは迷彩塗装の前に貼ってください。
★Apply markings with a double outline number ◎ before camouflage.
- ★Markierungen mit doppelter Umrandung ◎ vor dem Tarnschema anbringen.
- ★Apposer les marquages avec numéro entouré de deux cercles ◎ avant camouflage.
- ★余ったマークはお手持ちの資料を参考にお使いください。
★Apply extra decals referring to available reference sources.
- ★Bringen Sie zusätzliche Aufkleber unter Bezug auf verfügbare Quellen an.
- ★Apposer les decals supplémentaires en se référant à sa documentation.



★WINGSPAN 207mm ★FUSELAGE 188mm



1/48 傑作機シリーズ NO.117
メッサーシュミット Bf109 G-6



B

《第27戦闘航空団 第III飛行隊 第7中隊》
1943年12月 クレタ島 マレメ
7./JG27, Maleme, Crete, December 1943

