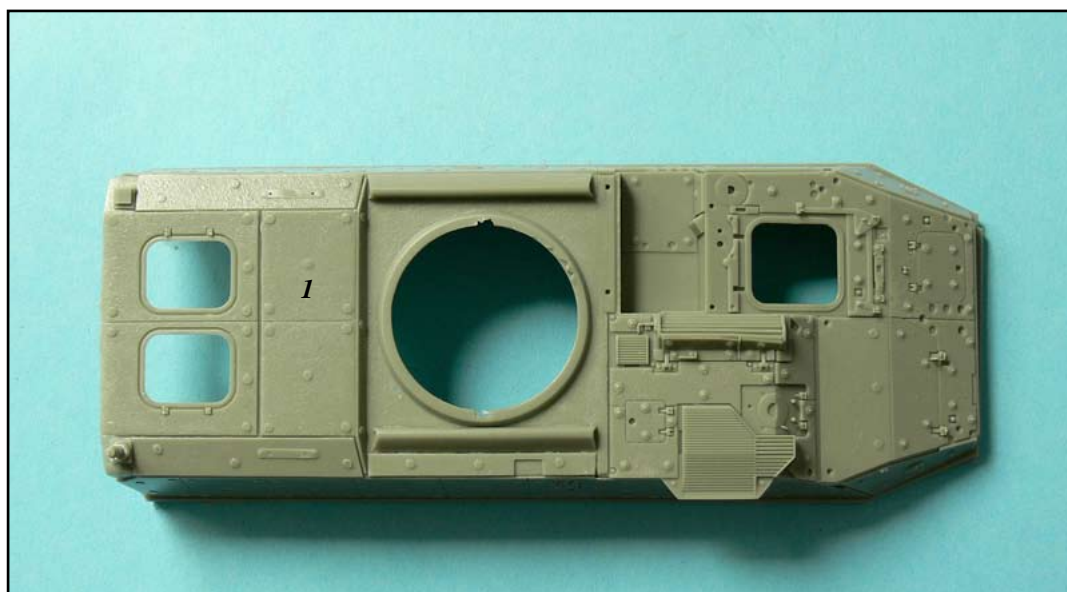
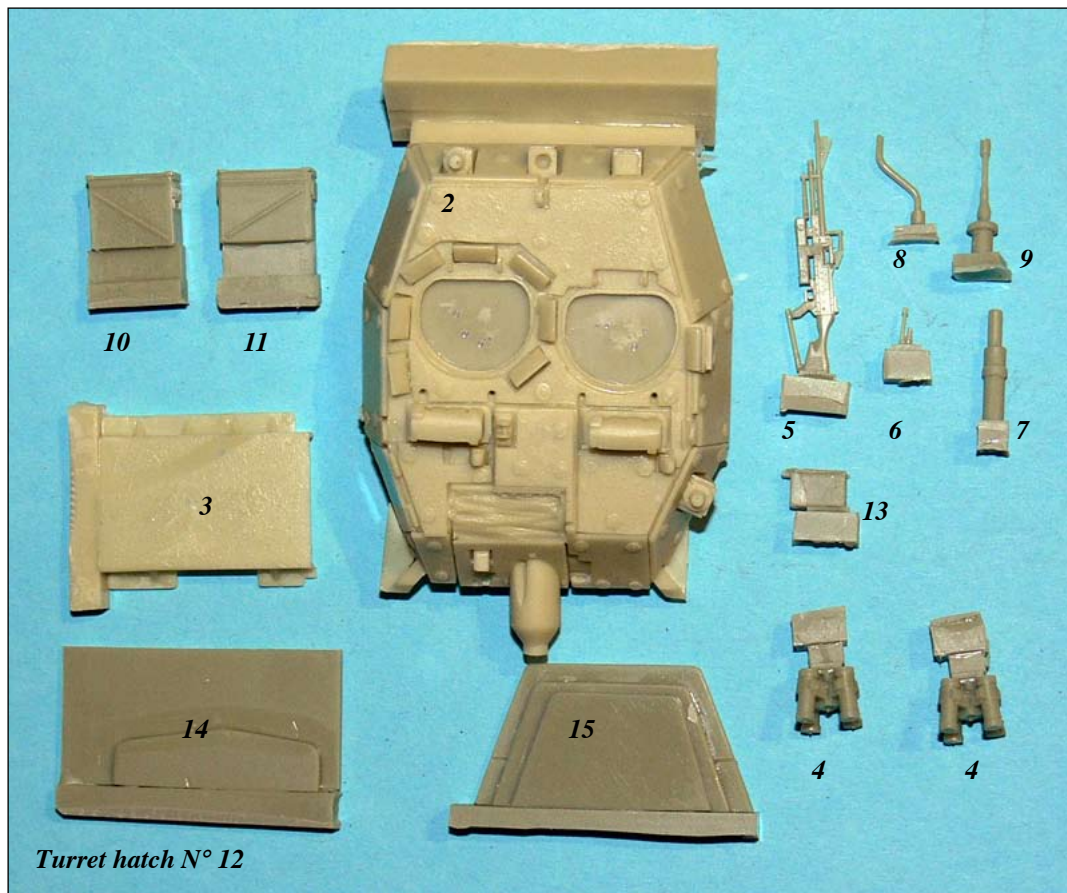


NEW ZEALAND LAV III

1/35 scale conversion resin set for AFV kit

RM 35127



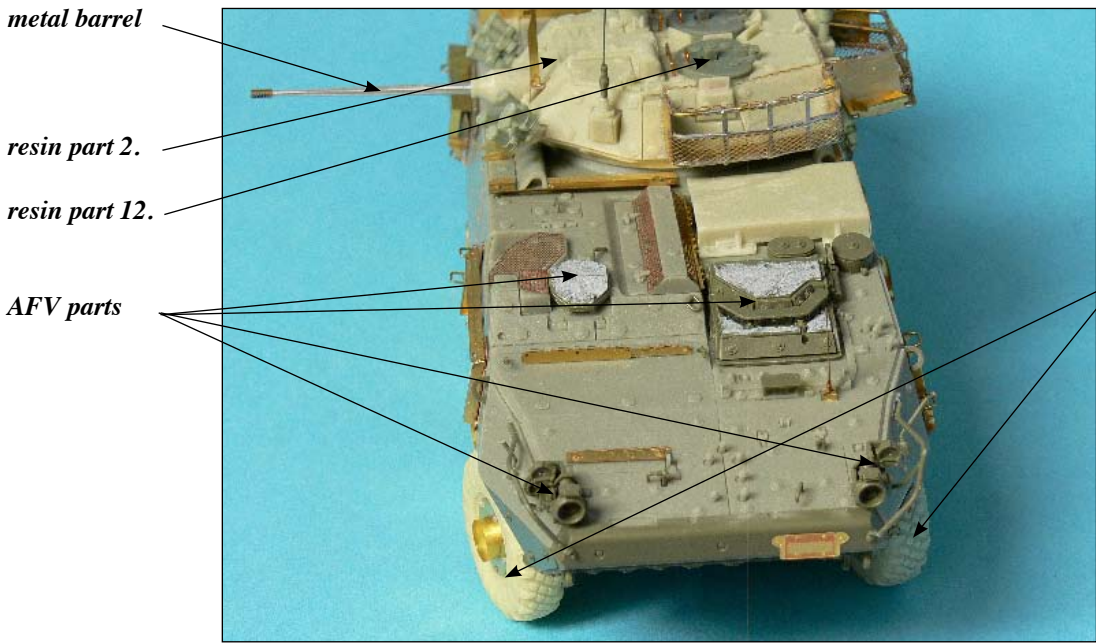


0,5 mm wire

resin part 1.

resin part 3.

AFV parts



metal barrel

resin part 2.

resin part 12.

AFV parts

resin wheels



resin part 5. & 13.

resin part 8.

resin part 4. 2x

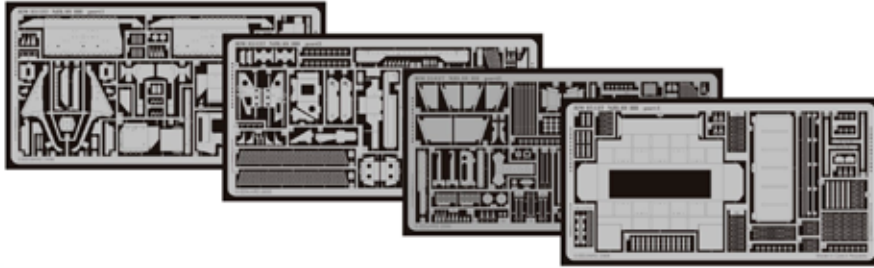
metal barrel

resin part 12. 2x

resin part 7.

NZLAV

1/35 scale detail set for Real Model kit • sada detailů pro model 1/35 Real Model



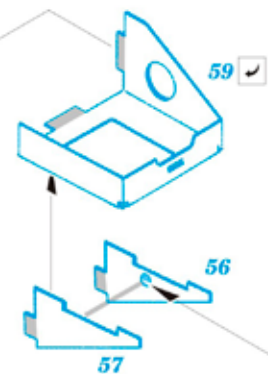
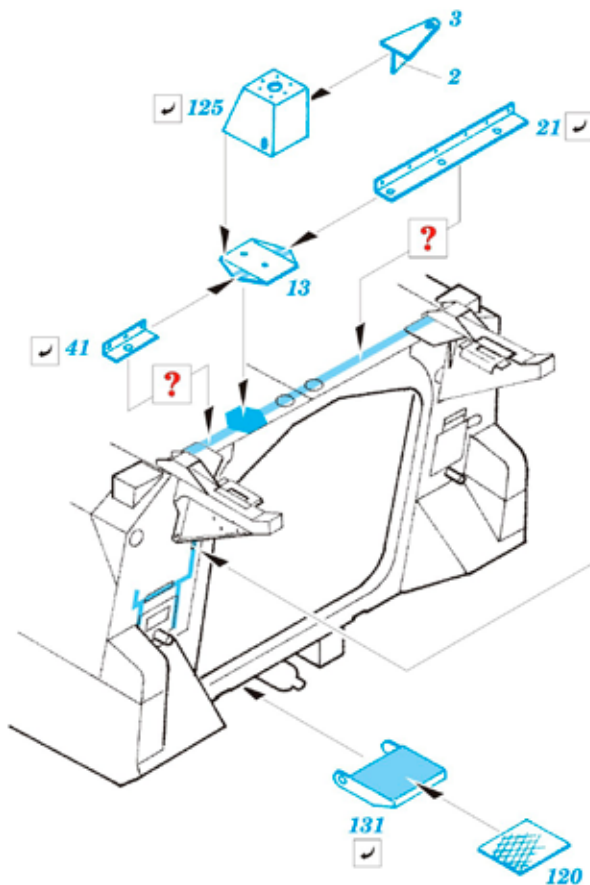
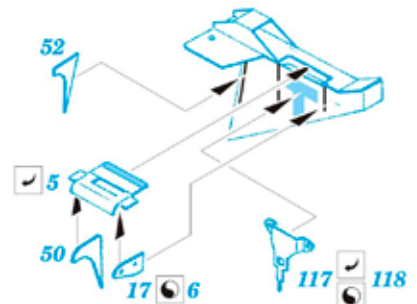
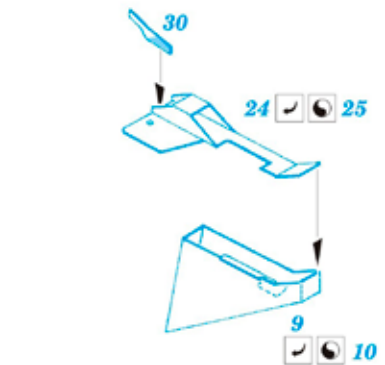
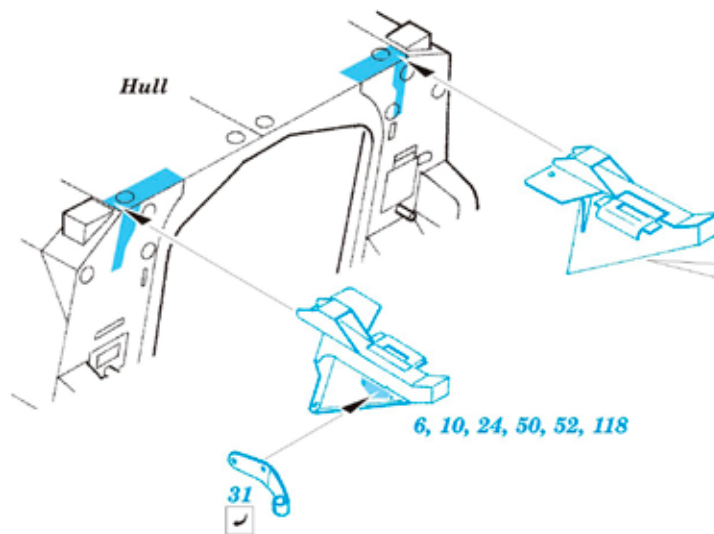
- ★ APPLY EXPRESS MASK AND PAINT BEFORE GLUING
POUŽIT EXPRESS MASK NABARVIT PŘED SLEPENÍM
- ☯ SYMMETRICAL ASSEMBLY
SYMETRICKÁ MONTÁŽ
- ✂ REMOVE
ODSTRANIT
- ☼ GRIND
OBROUSIT
- ⊥ DRILL HOLE
VRTAT OTVOR
- ↪ BEND
OHNOUT
- ❓ OPTION
VOLBA
- ⊞ REPLACE
NAHRADIT

■ ORIGINAL KIT PARTS
PŮVODNÍ DÍLY STAVEBNICE

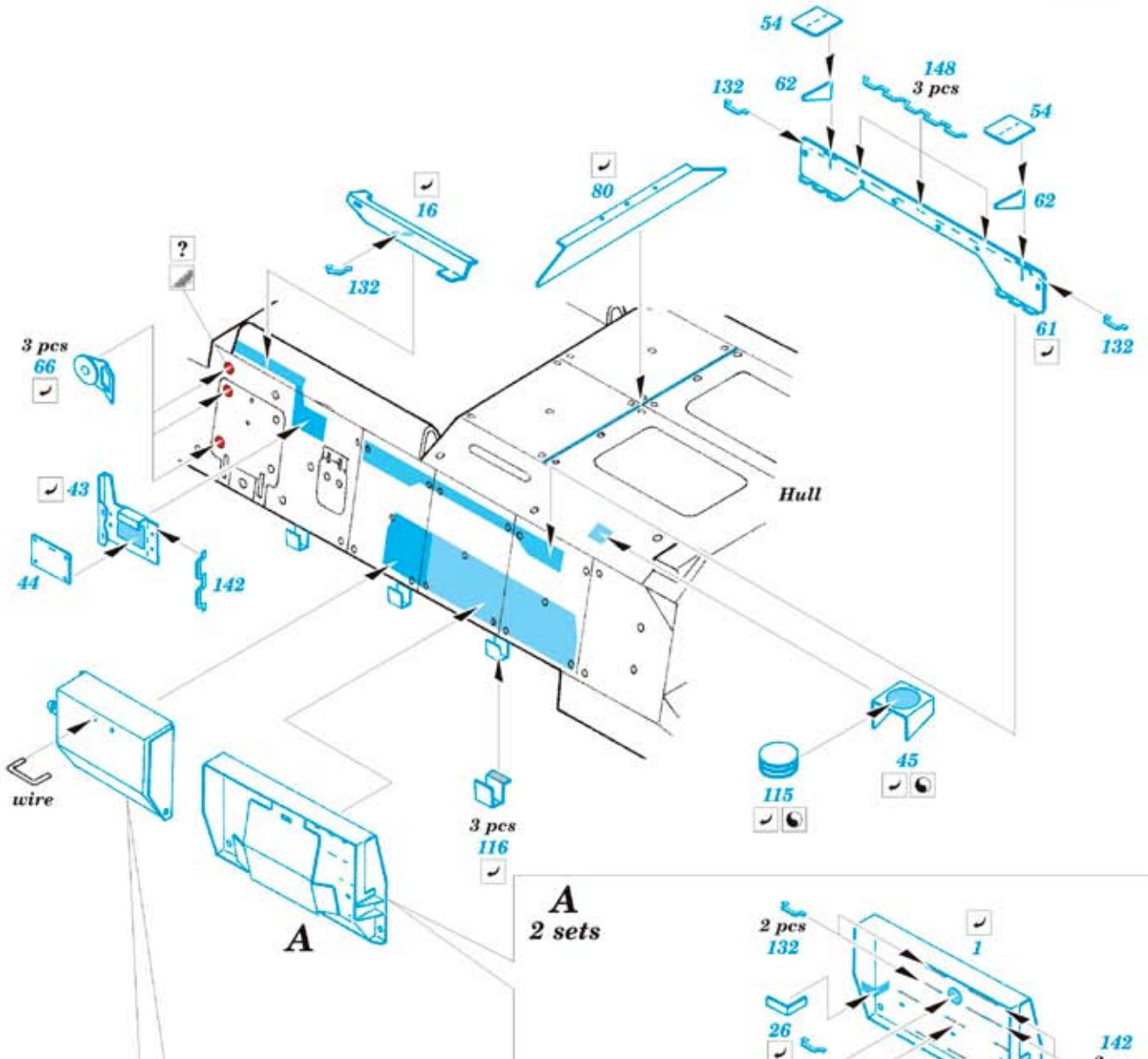
■ PHOTO-ETCHED PARTS
LEPTANÉ DÍLY

■ PARTS TO BE REMOVED
DÍLY K ODSTRANĚNÍ

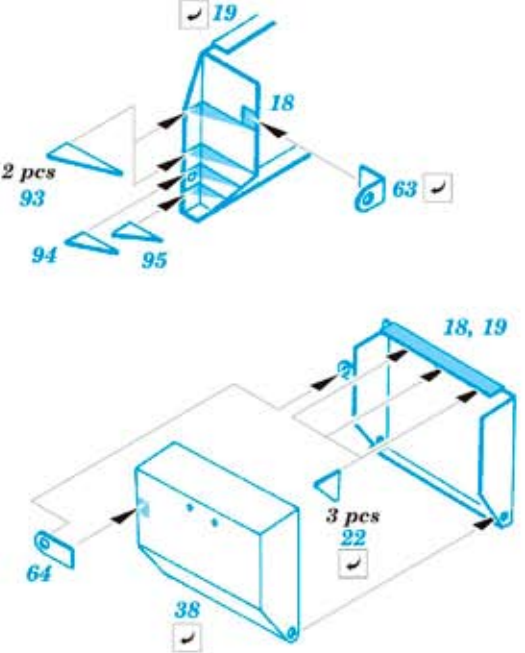
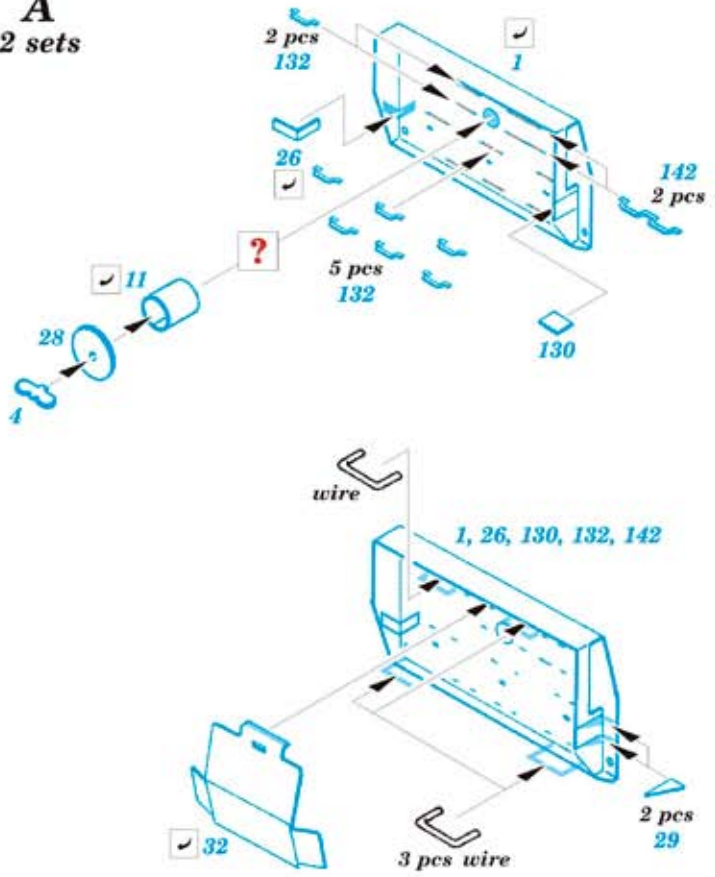
■ FILL
TMELIT

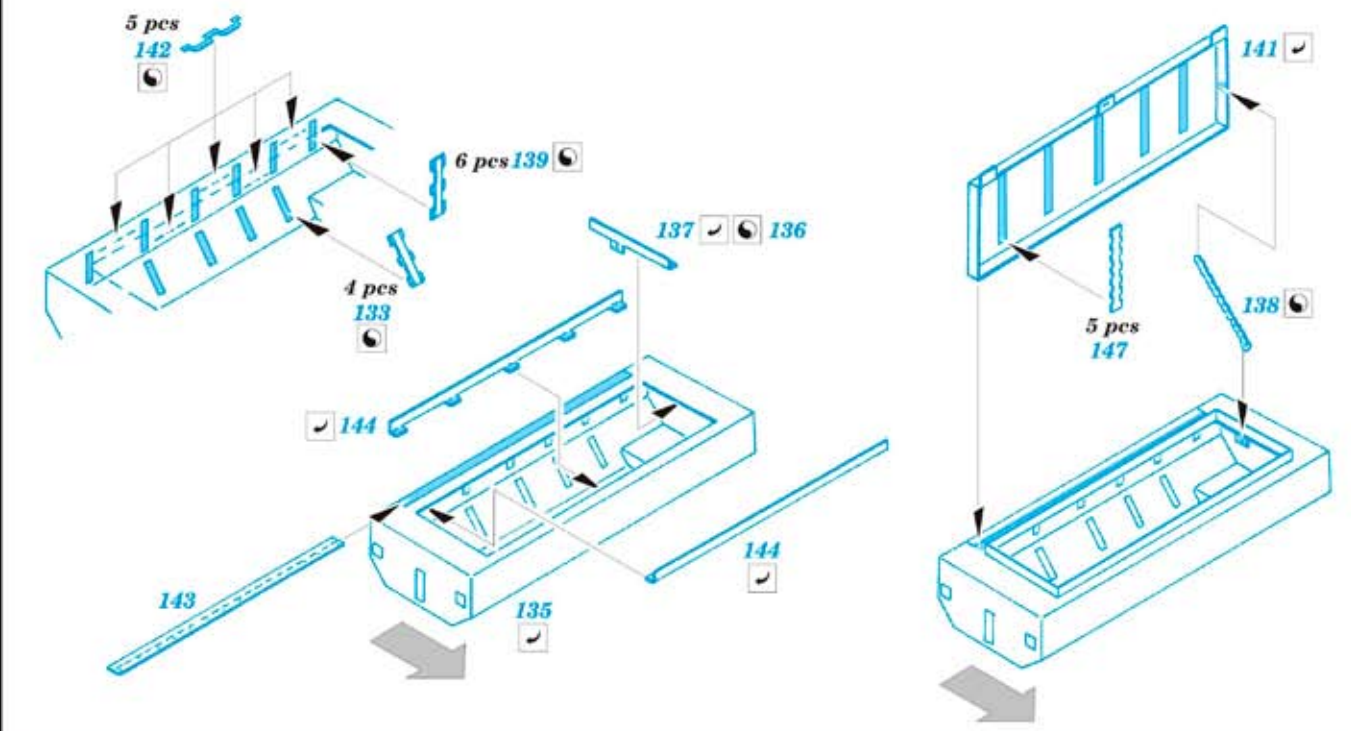
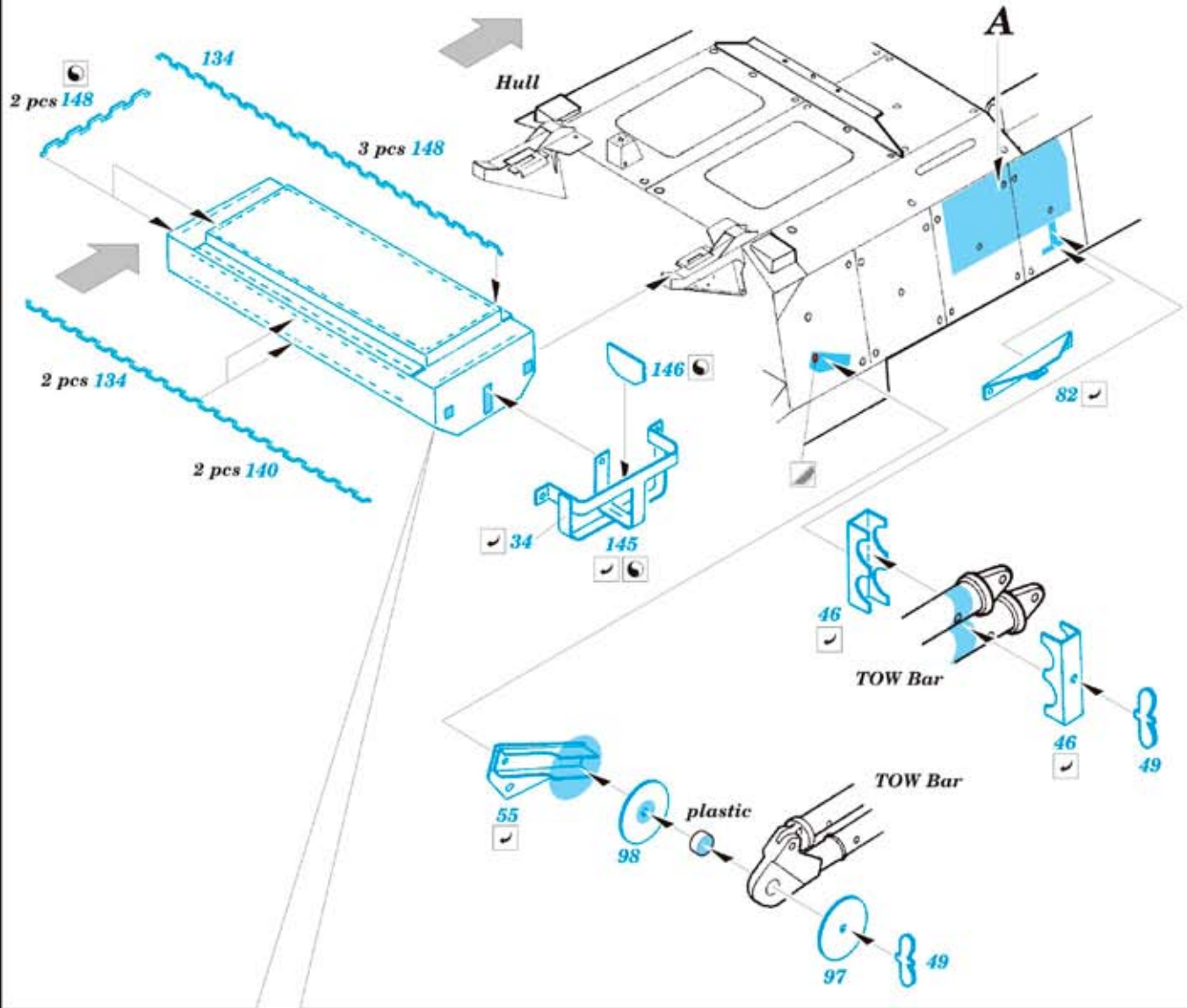


plastic
 ○ = 0,8mm
 l = 6,5mm



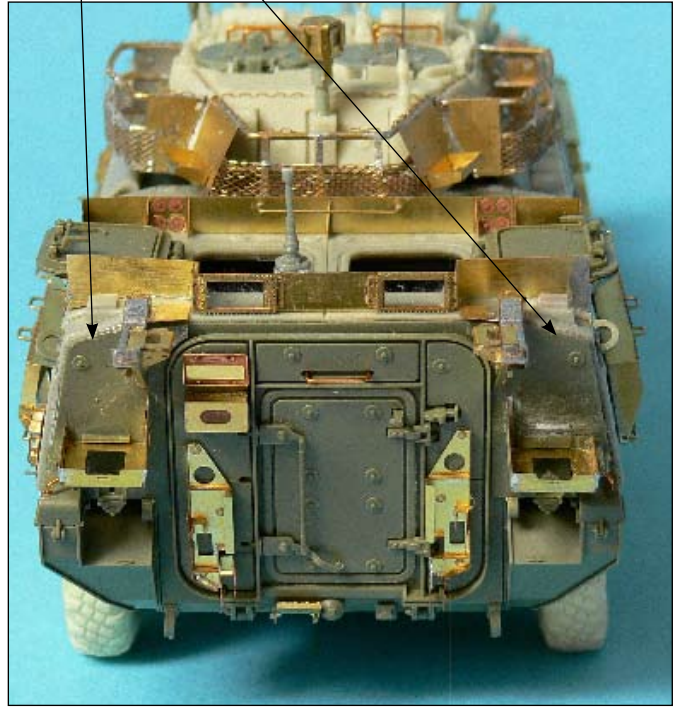
A
2 sets







rear AFV part cut off



1 mm wire bend - along resin parts 14.

PE parts 86, 53, 77, 87

PE parts 91, 85, 79

3x PE parts 108



1 mm wire bend - along resin parts 15.

PE part 86, front 857

PE part 90





TOW Bar, Resin wheels

SpareTire Bracket

