



F-104G/S ASA/M Starfighter Italian Air Force

The Aeritalia F-104S Starfighter was a licensed production Italian version of the Lockheed F-104 Starfighter, which served in the Italian Air Force (AMI, Aeronautica Militare Italiana), and was the AMI's mainstay from the late 1960s until the beginning of the 21st century. The F-104S also served in the Turkish Air Force until the mid-1990s. The F-104S was the final development of the Starfighter line. Derived from Lockheed's design studies on a "Super Starfighter", the F-104S was one of the most capable of the F-104 series, and destined to be the last in service worldwide. The F-104S (upgraded to ASA/M standard) was retired from service in October 2004. The F-104S was designed to carry AIM-7 Sparrow missiles (while deleting the Vulcan gun). In the attack role, the F-104S had nine hardpoints, and could carry up to seven 227 kg (500 lb) or 340 kg (750 lb) bombs, an improvement over the F-104G, which could lift only half that on five hardpoints, two of which were needed for auxiliary tanks. Theoretically, an F-104S could be equipped with four or five bombs, two drop tanks, and two AIM-9s, becoming a dual-role aircraft.

CAUTION

- *Read carefully and fully understand the instructions before commencing assembly.
- *Keep out of reach of children. Children must not be allowed to put any parts in their mouths, or pull plastic bag over their heads.
- *When using adhesives and paints, please make sure not to use them in closed room or near the fire.
- *When assembling this kit, tools including knives are used. Extra care should be taken to avoid injury.

WARNING: CONTAIN SMALL PARTS NOT FOR CHILDREN UNDER 14 YEARS OF AGE.



Drill



Remove



2 Set



Bend



Optional



Decal



Super Glue



Fill Hole



No Cement



Be Careful

TOOLS RECOMMENDED

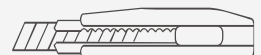
Cement



Side Cutter



Modeling Knife



Tweezers

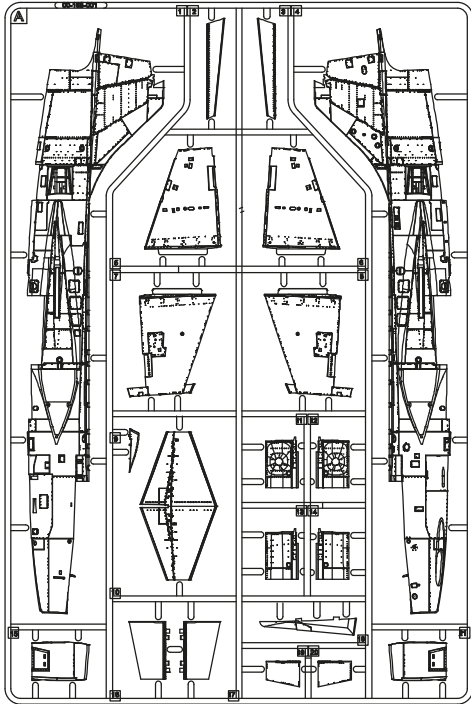


AFTERMARKET SERVICES CARD

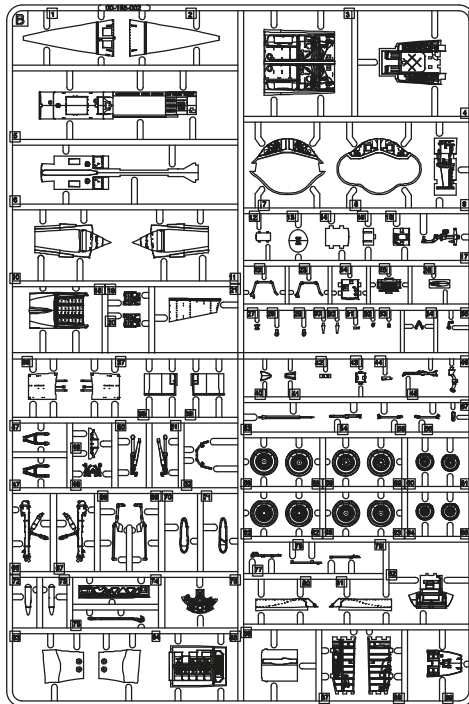
When requesting replacement parts, please take or send this form to your local dealer so that the parts required can be correctly identified. Please note that specifications and availability are subject to change without notice. visit <http://www.kineticmodel.com> for latest information. For more information, please contact services@kineticmodel.com

Part Code	K48093	Qty	Item
00-100-029	AIM-7X FOR ROCAF PARTS FF	2	FF
00-165-001	1/48 F-104G FUESLAGE, COCKPIT, ACCESSORIES	1	A
00-165-002	1/48 F-104 WINGS, TANK ACCESSORIES	1	B
00-165-003	1/48 F-104 NLG,MLG PARTS	1	C
00-165-004	1/48 F-104G/TF-104G CANOPY	1	D
00-165-006	1/48 F-104S PARTS	1	F
01-165-48093	1/48 F-104S	1	Decal
03-165-48093	1/48 F-104S MANUAL	1	MANUAL
06-165-48083	1/48 F-104g/C	1	PE

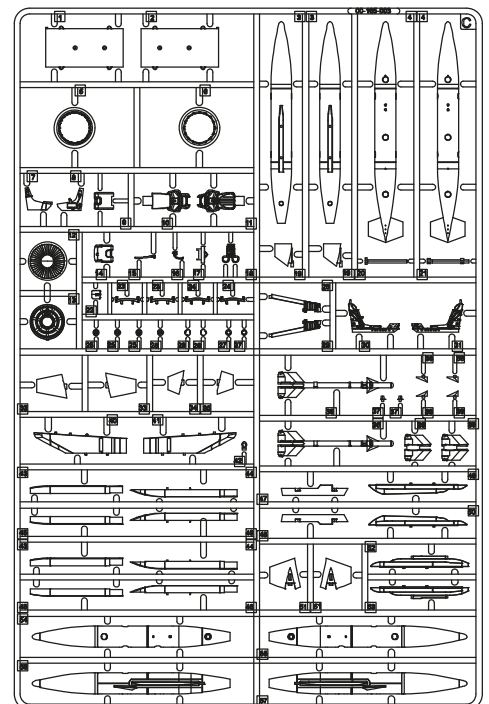
A



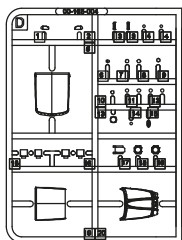
B



C



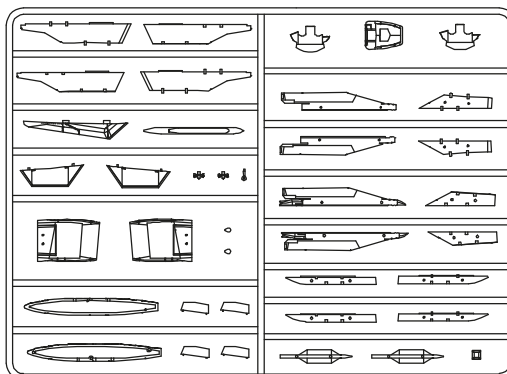
D



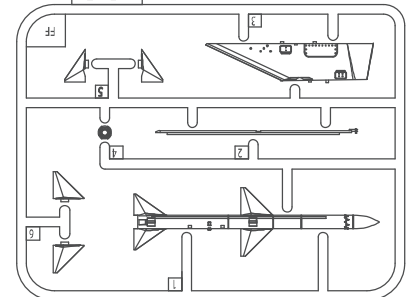
PE



F



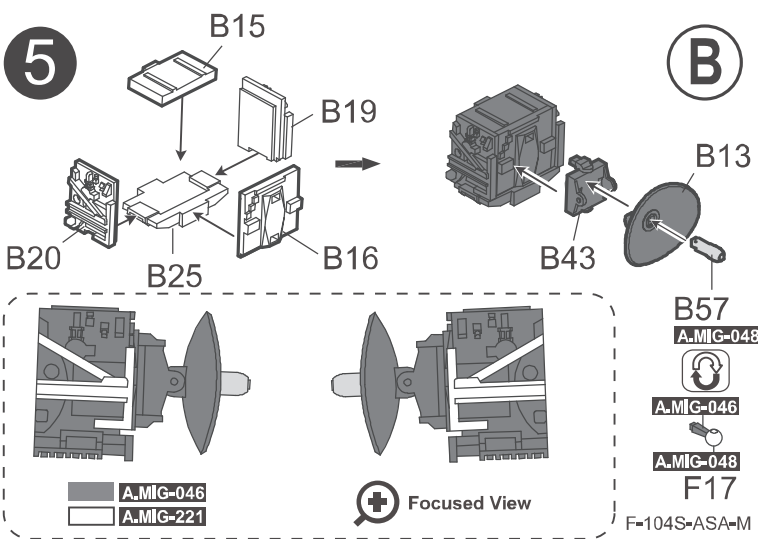
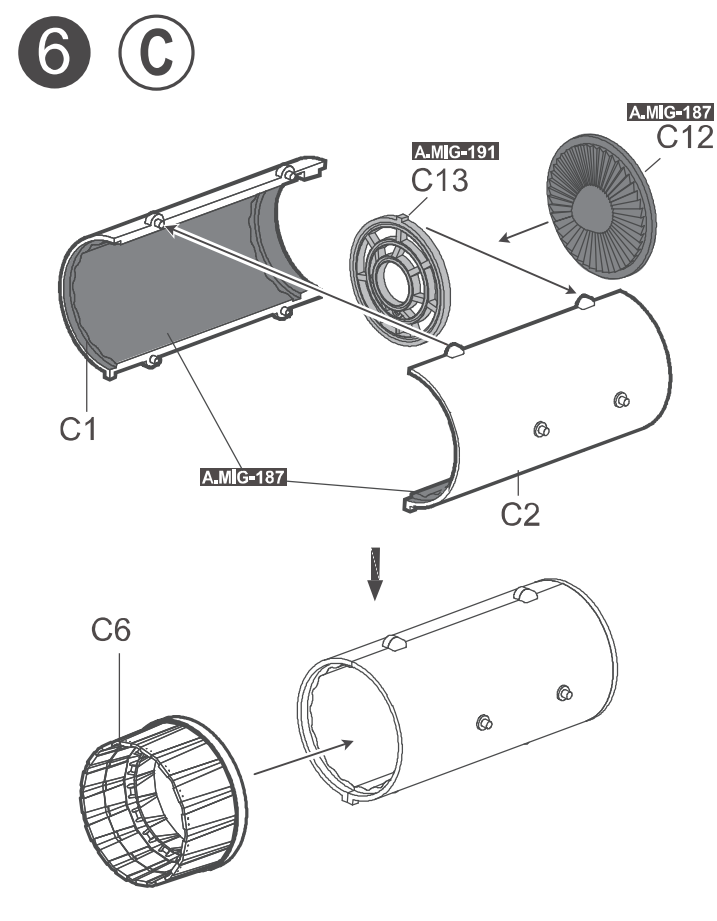
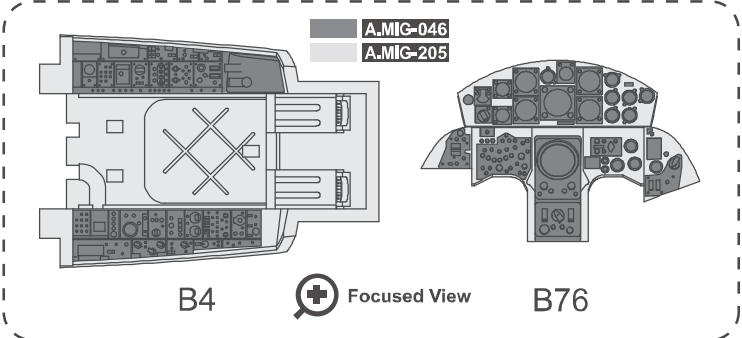
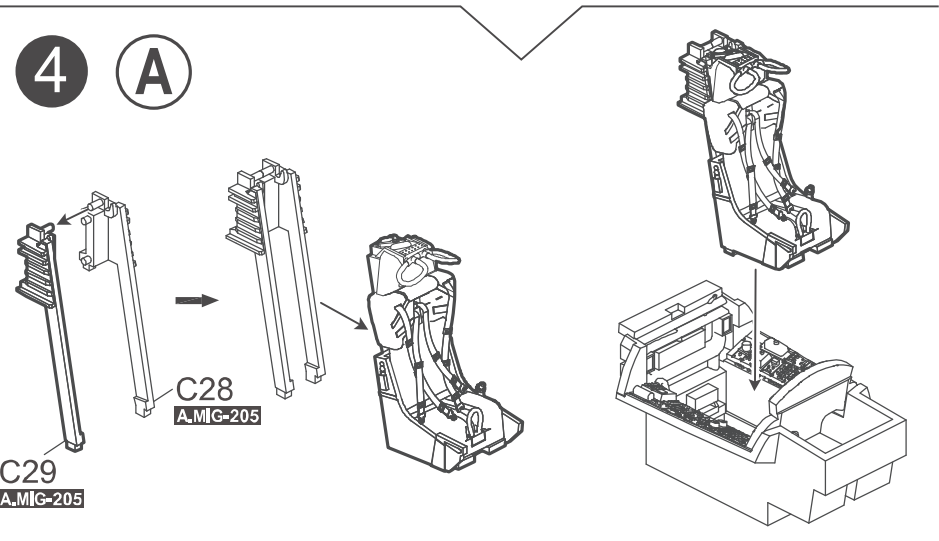
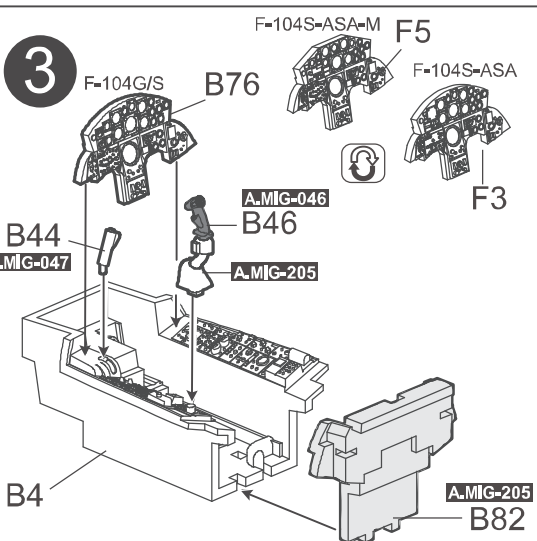
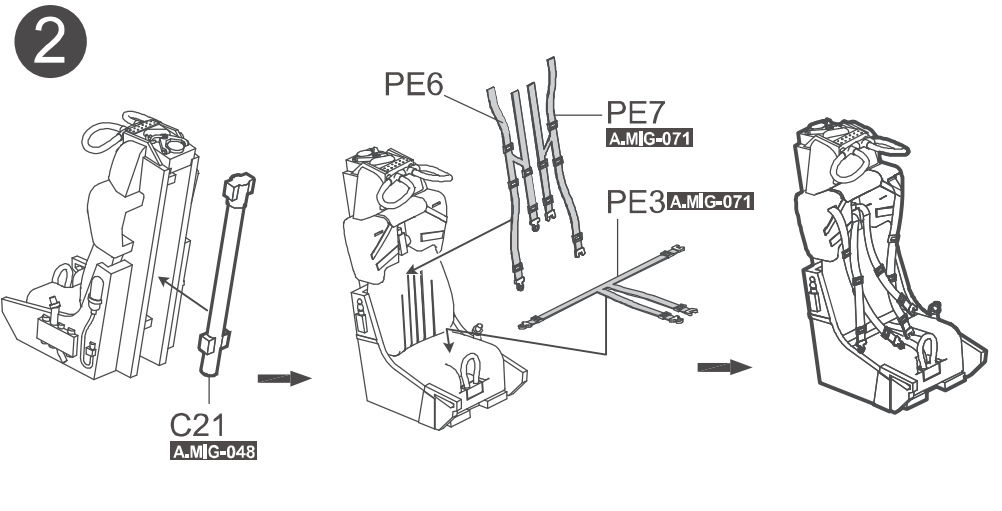
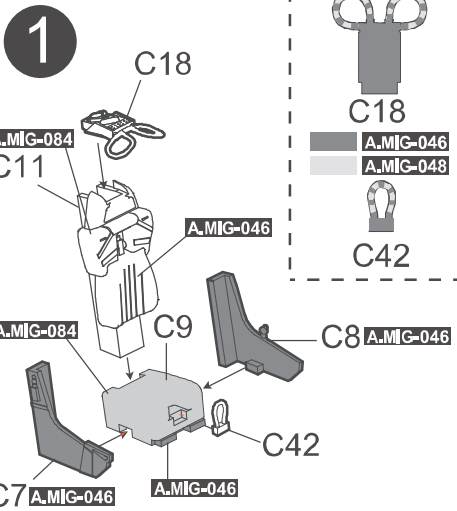
FF x2



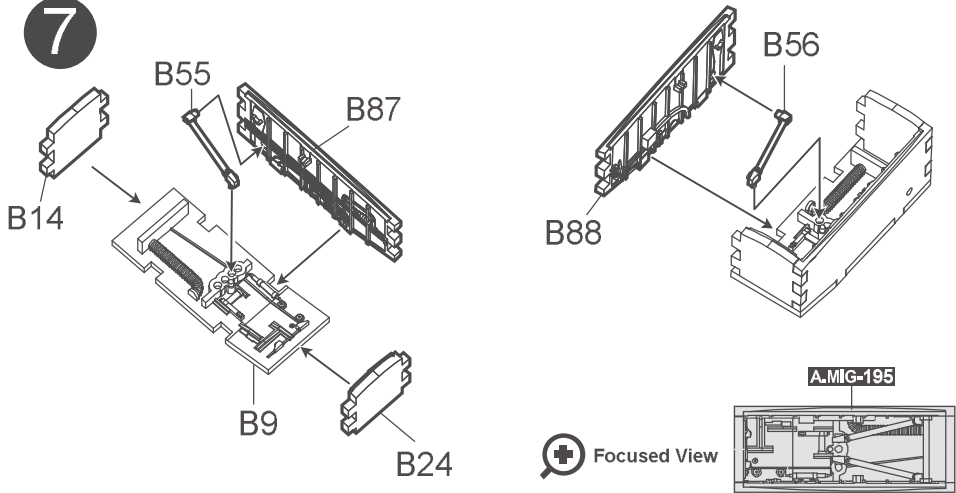


COLOR	AMMO MIG	VALLEJO MODEL COLOR	GSI CREOS MR. COLOR	TAMIYA ENAMEL/ACRYLIC	HUMBROL ENAMEL
SAND BEIGE	A.MIG-027	71.244	-	-	-
SATIN BLACK	A.MIG-032	70.861	2	X-18	21
RUBBER & TIRES	A.MIG-033	70.306	137	XF-85	-
MATT BLACK	A.MIG-046	71.057	33	XF-1	33
SATIN WHITE	A.MIG-047	70.842	1	X-2	22
YELLOW	A.MIG-048	71.002	4	XF-3	69
NATO GREEN	A.MIG-084	71.093	54	XF-67	117
CRYSTAL GREEN	A.MIG-092	70.936	138	X-25	-
CRYSTAL RED	A.MIG-093	70.934	47	X-27	220
BURNT IRON	A.MIG-187	71.073	61	XF-4	-
STEEL	A.MIG-191	70.864	28	-	27003
MATT ALUMINUM	A.MIG-194	71.062	-	XF-16	-
SILVER	A.MIG-195	71.063	8	X-11	11
FS 26231	A.MIG-205	71.051	317	-	27
FS336270	A.MIG-211	71.275	306	-	126
FS 33481 ZINC CHROMATE YELLOW	A.MIG-221	71.107	27	XF-4	-
DARK GREY AMT-12	A.MIG-235	71.308	32	XF-75	-
FS 34086 DARK GREEN	A.MIG-240	71.325	-	-	-

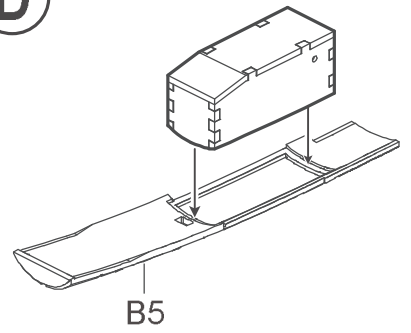
For Color Profile, please go to www.kineticmodel.com for download
(type the kit# and go for manual/painting guide)



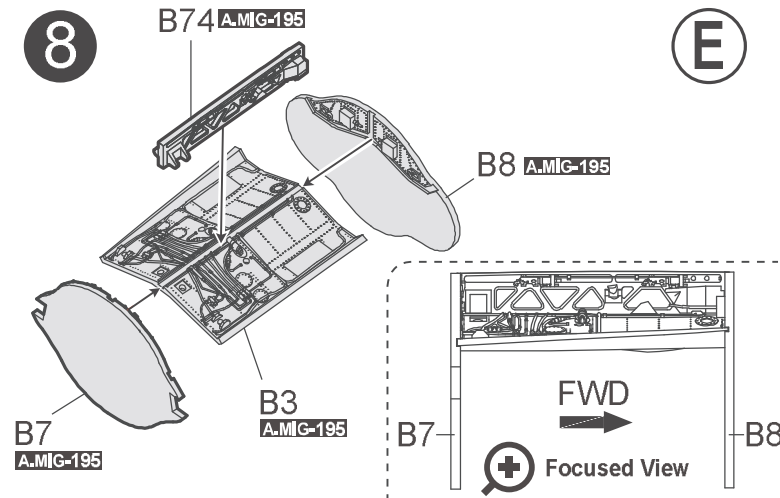
7



D

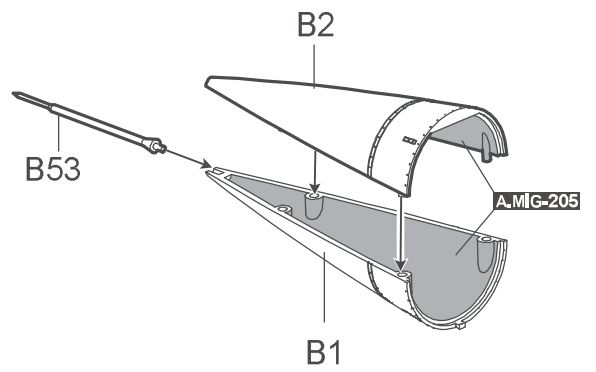


8

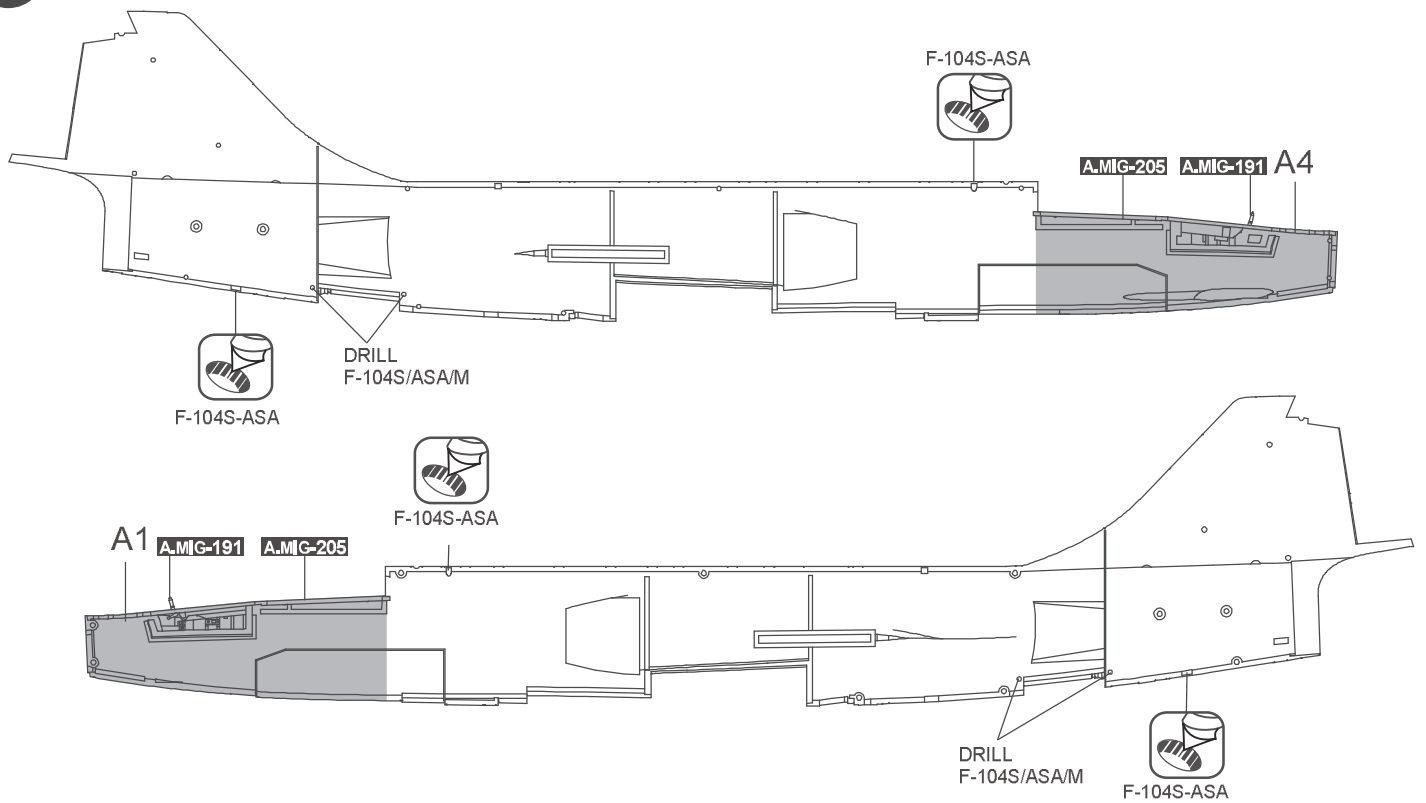


E

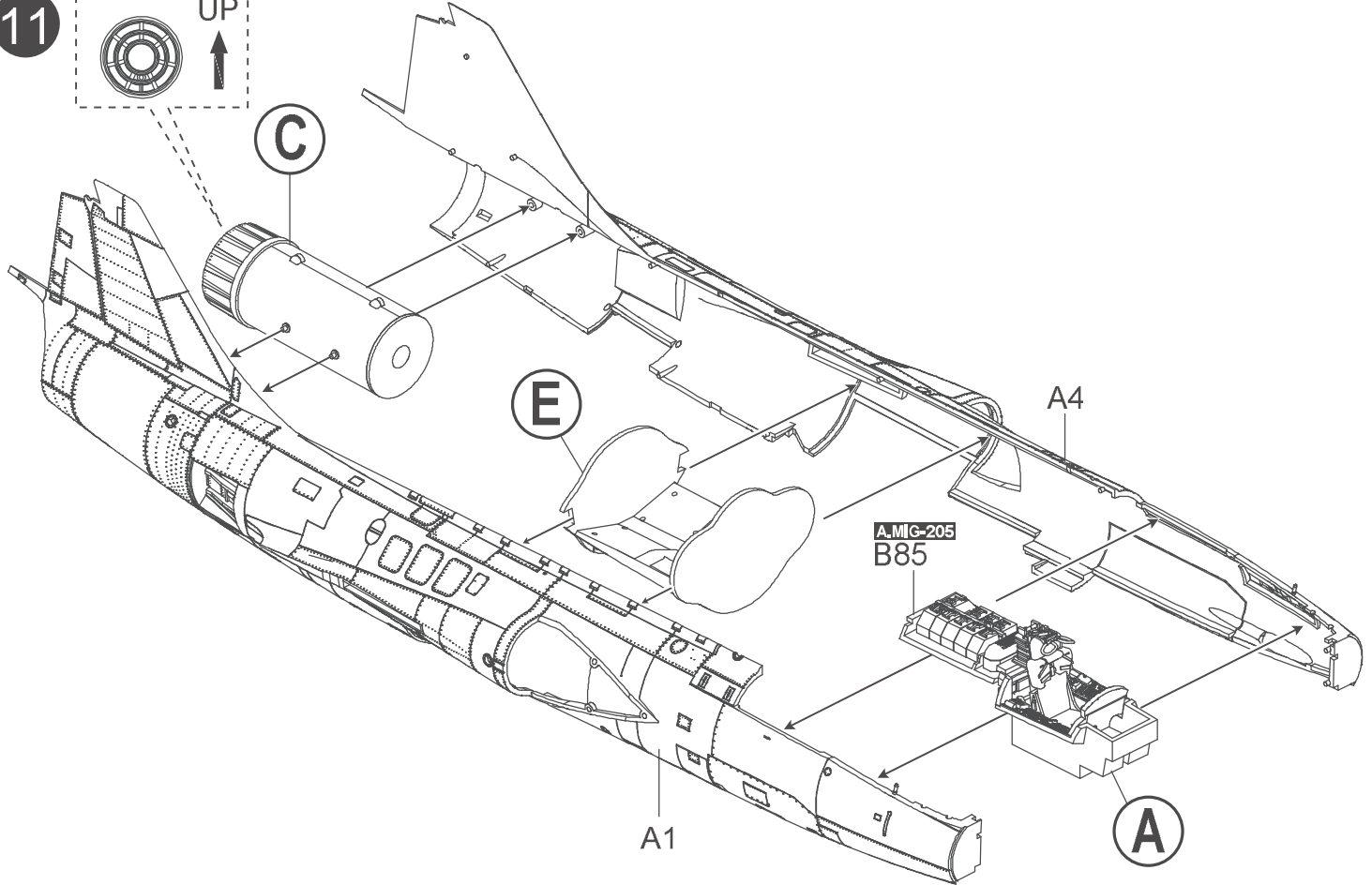
9



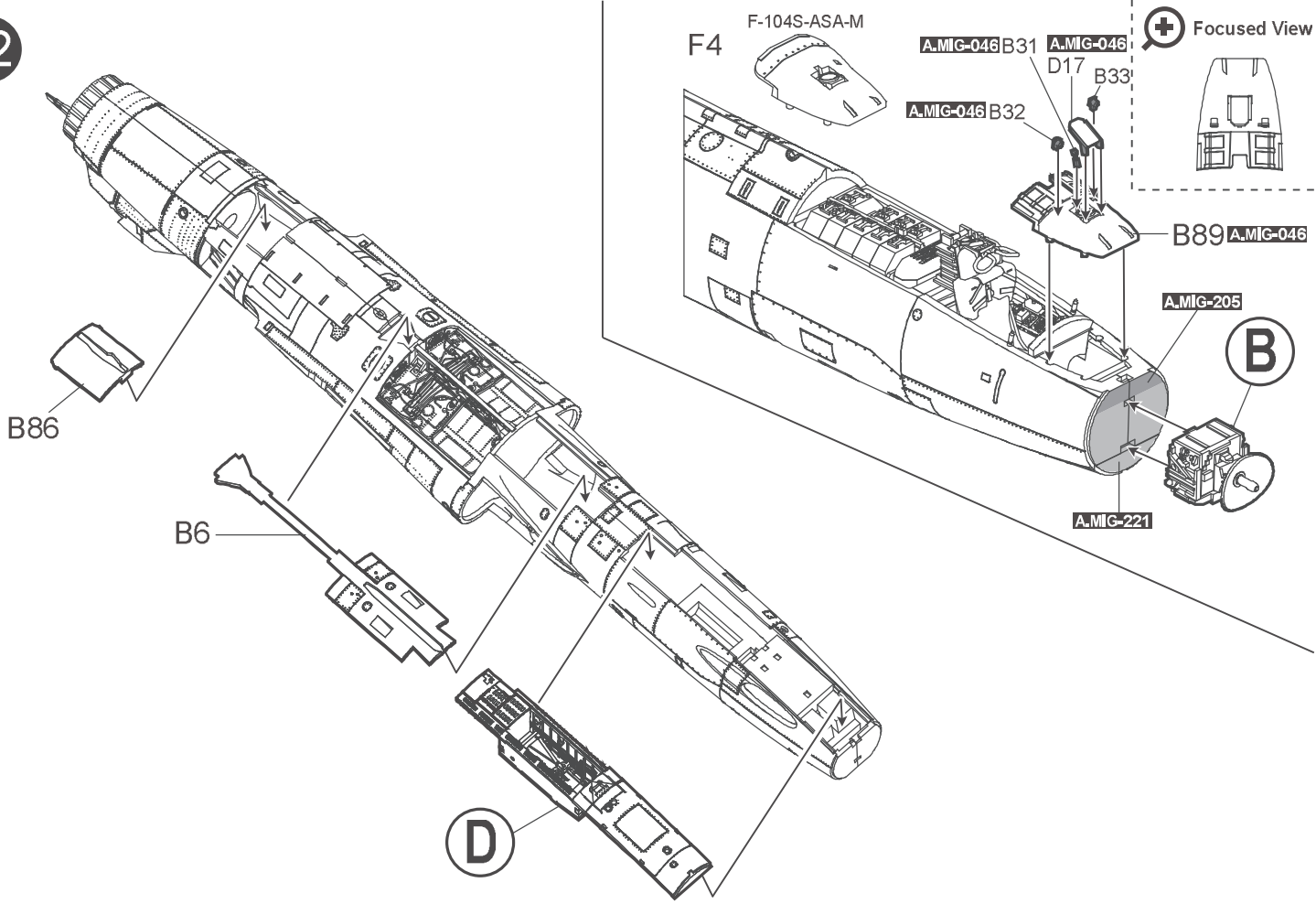
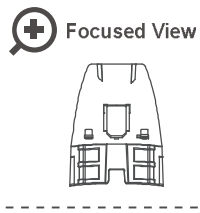
10



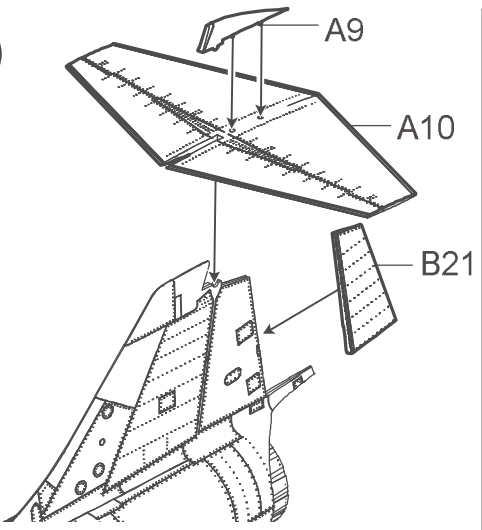
11



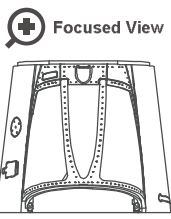
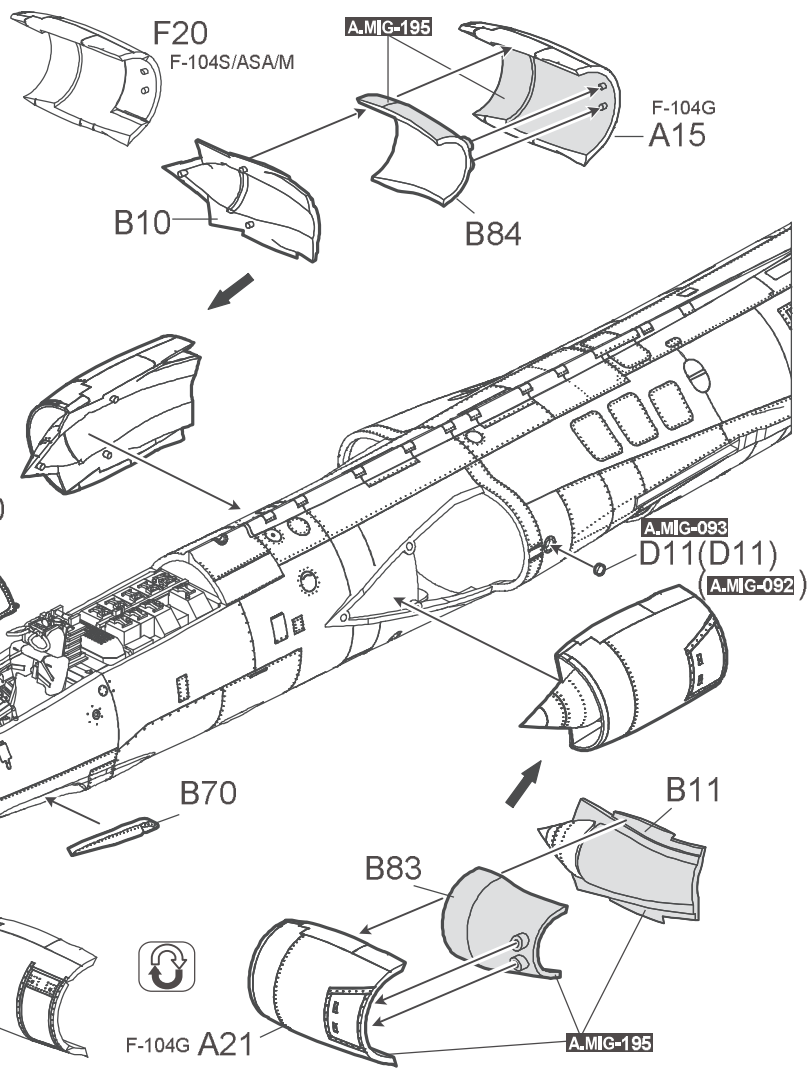
12



13

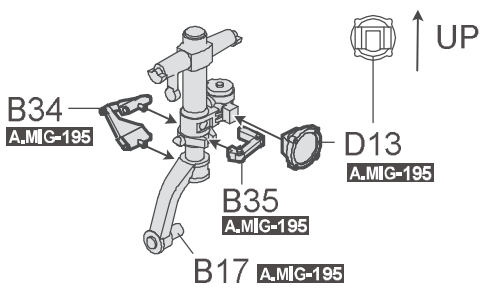


14

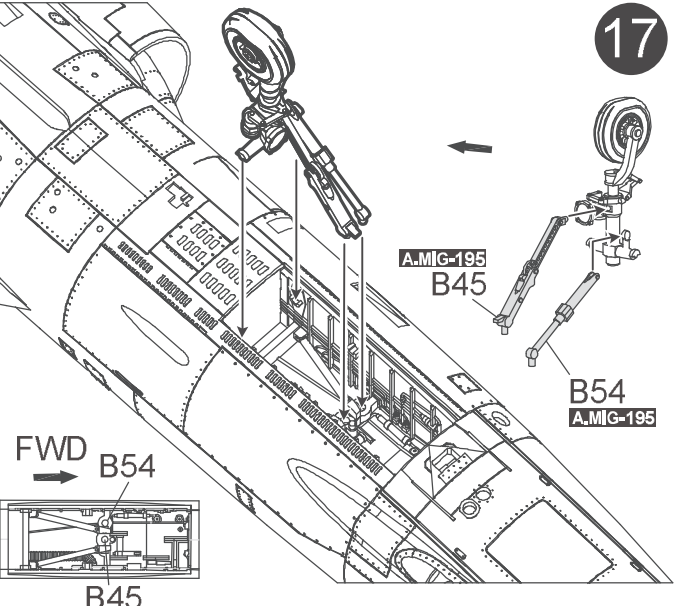
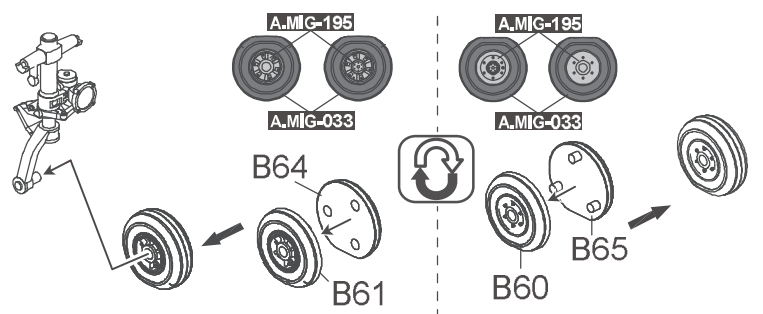


D20

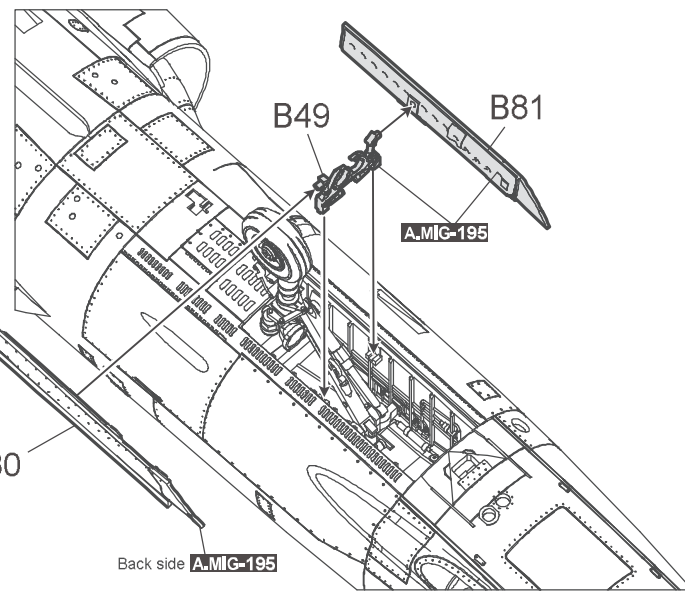
15



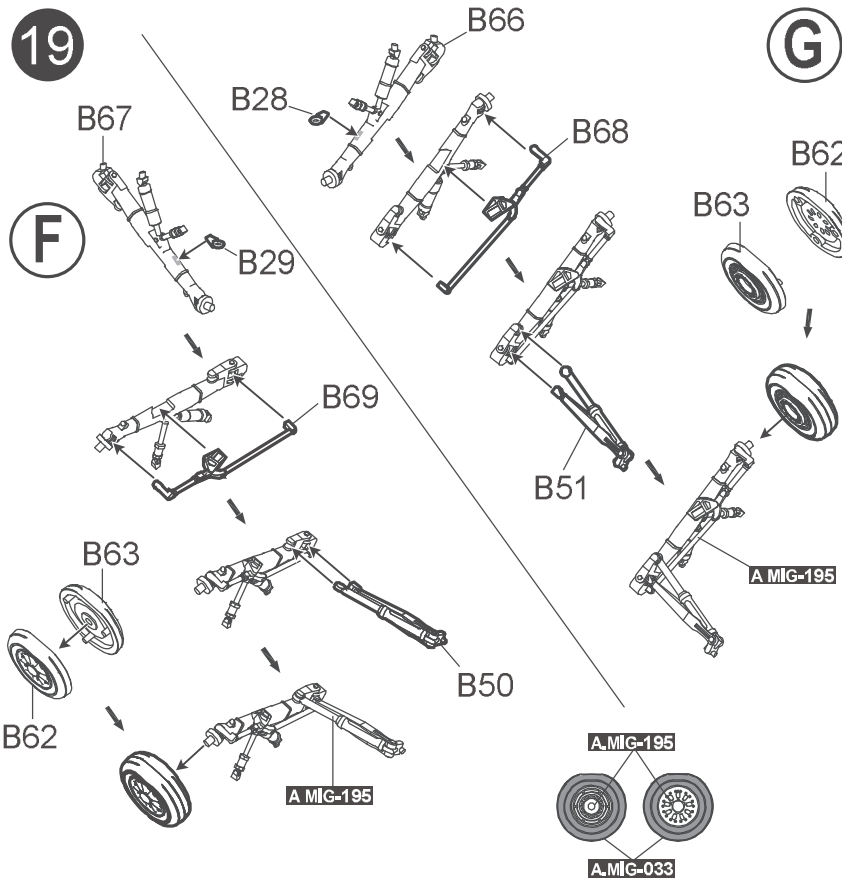
16



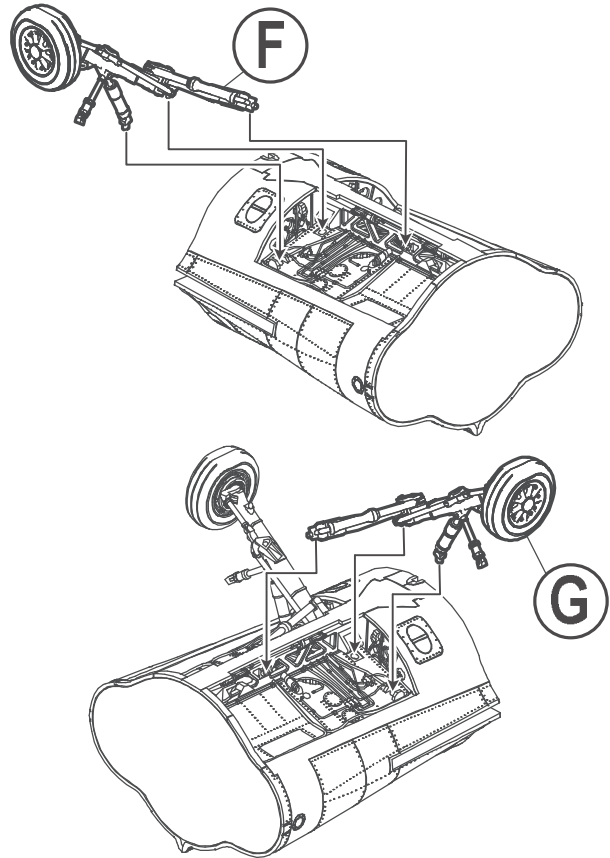
18



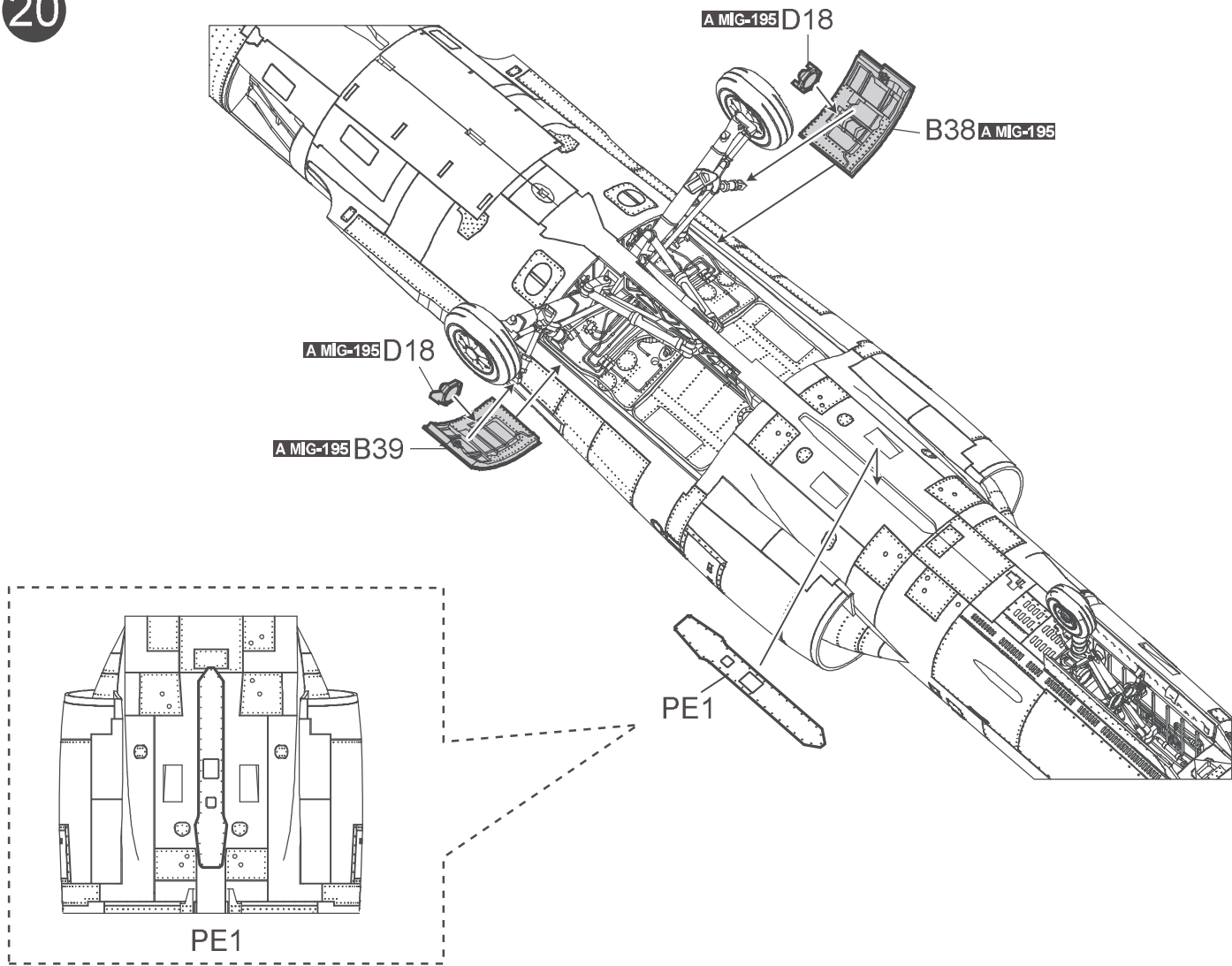
19



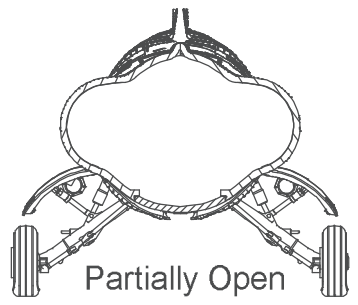
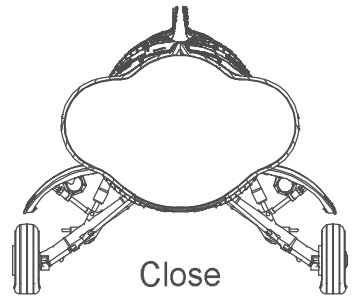
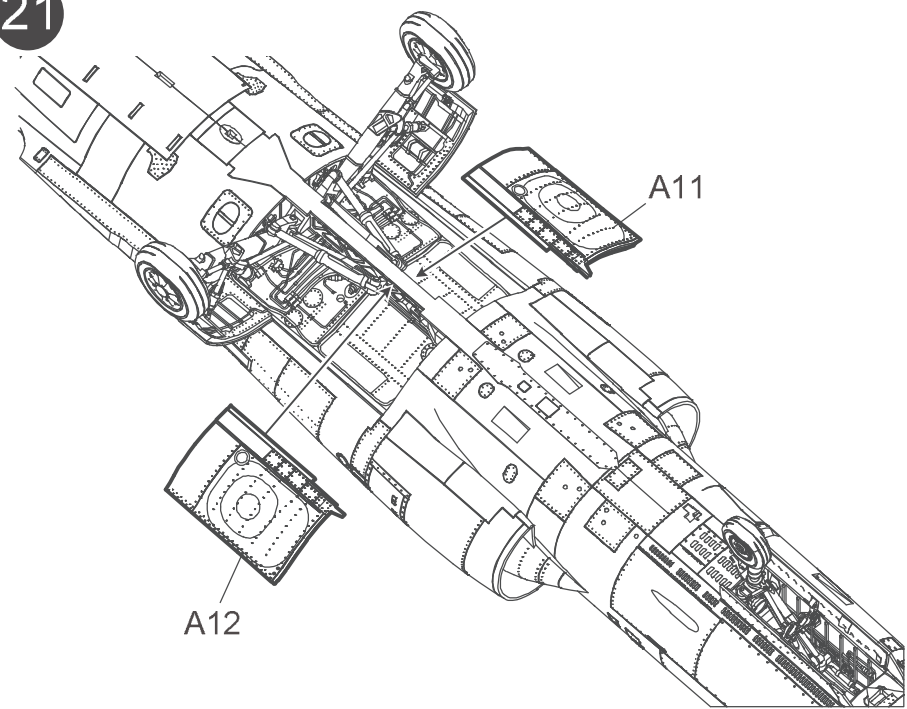
G



20



21



22

F-104S-ASA



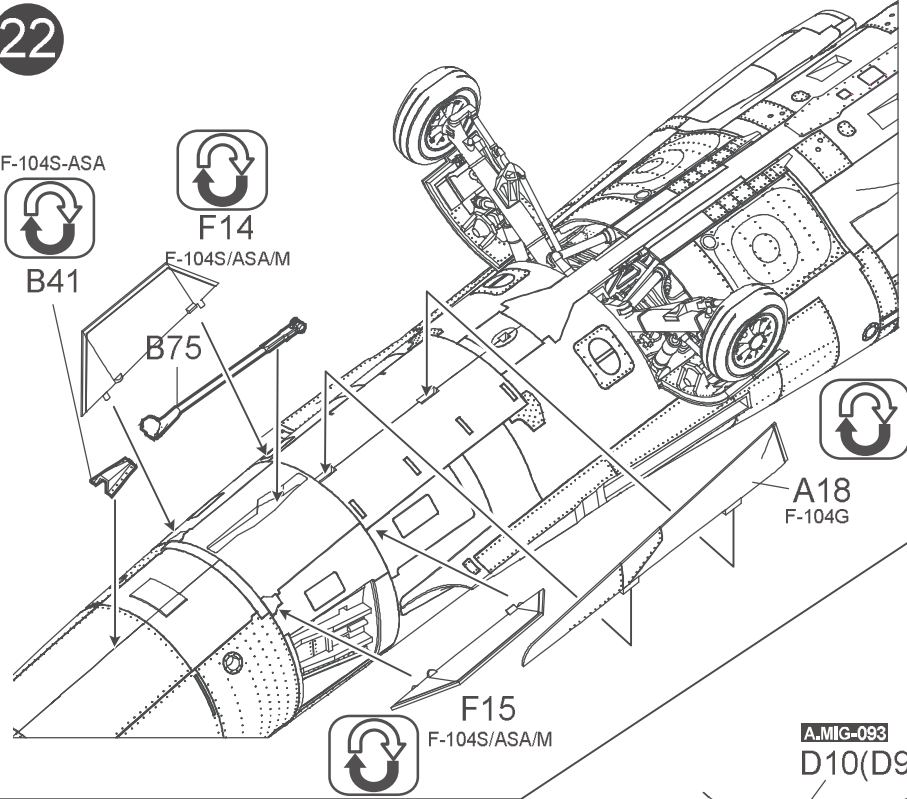
B41



F14

F-104S/ASA/M

B75



F10

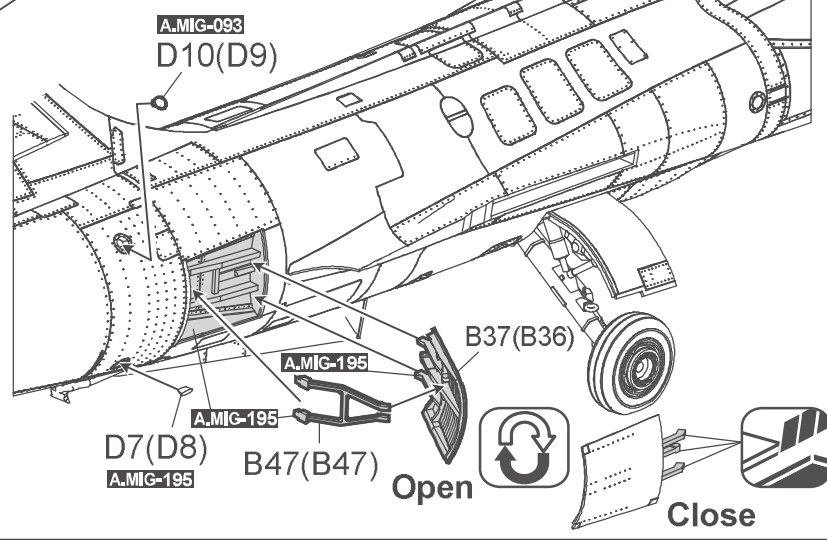
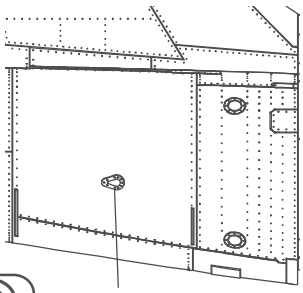
F-104S/ASA/M



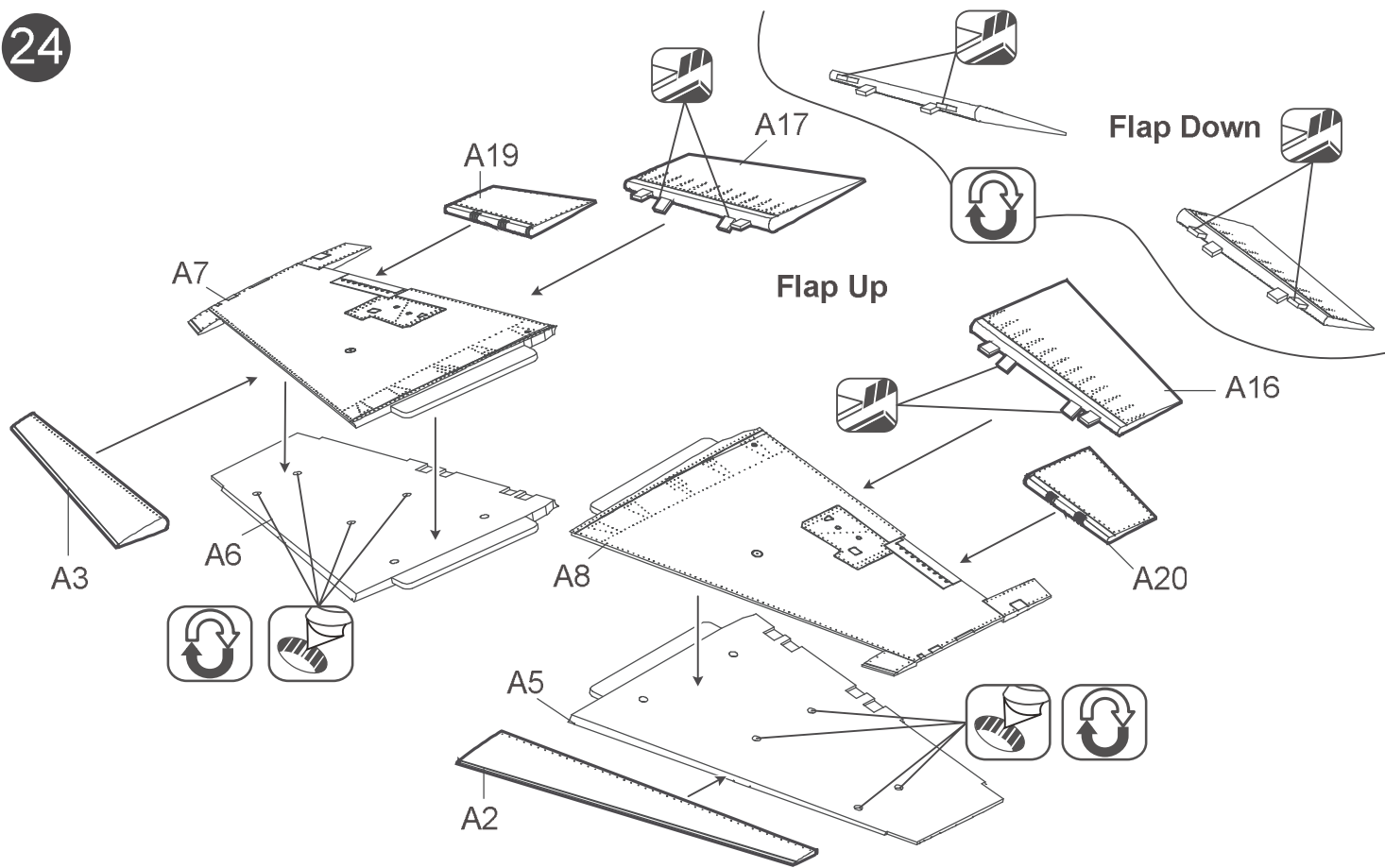
23



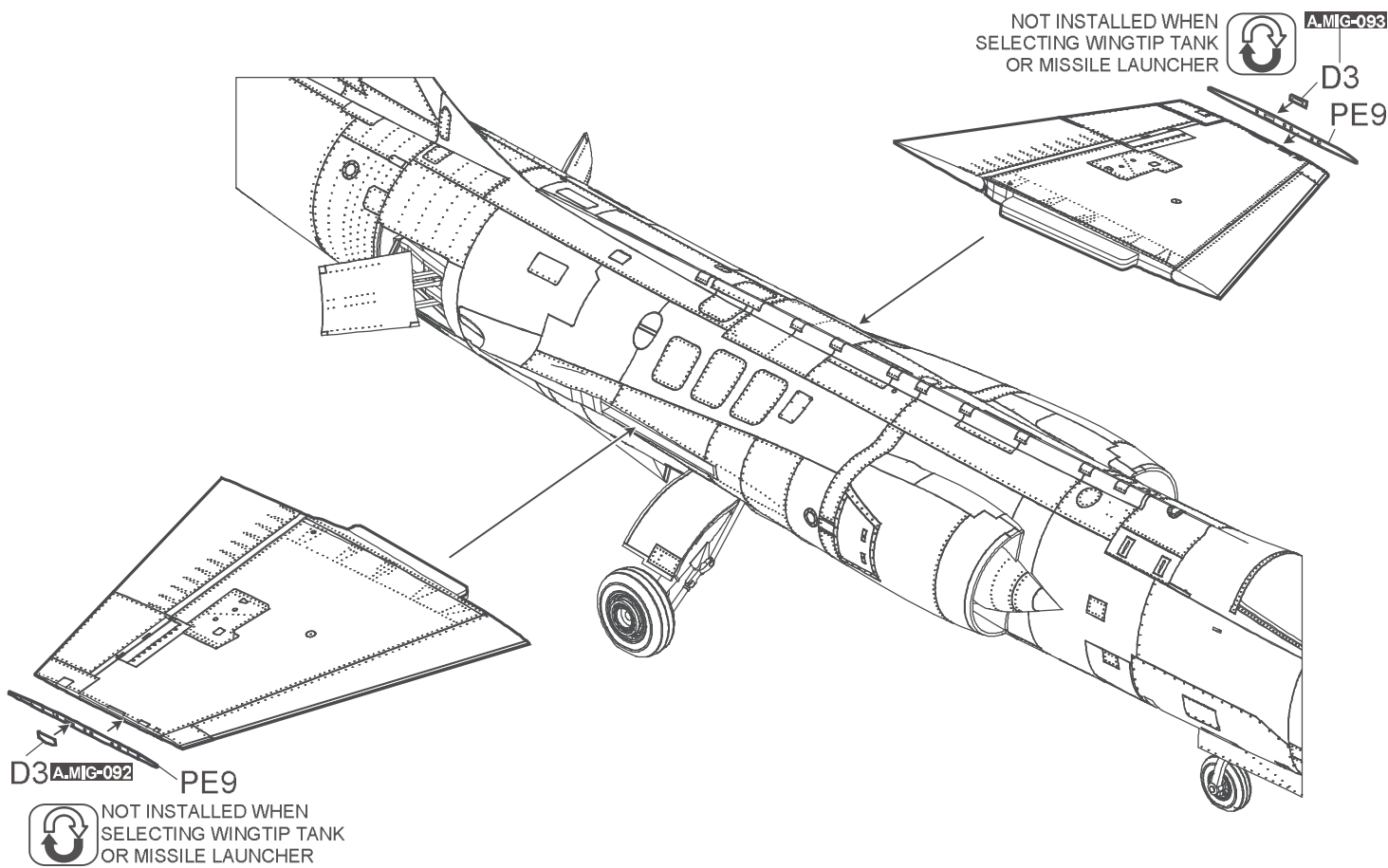
F22(F22)
F-104S/ASA/M



24

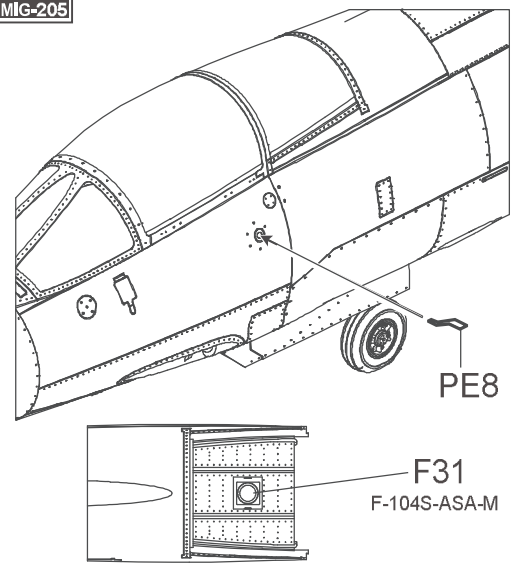
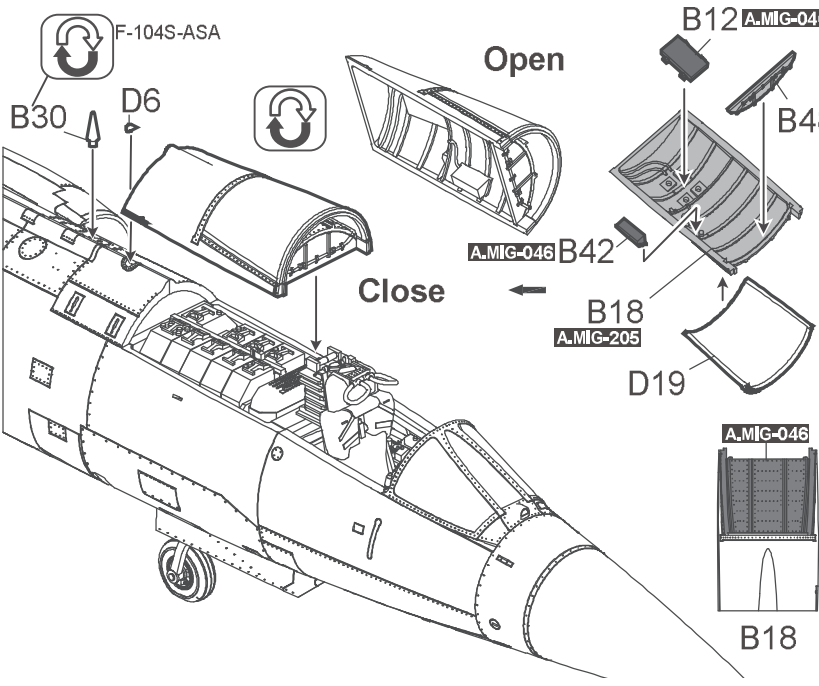


25



26

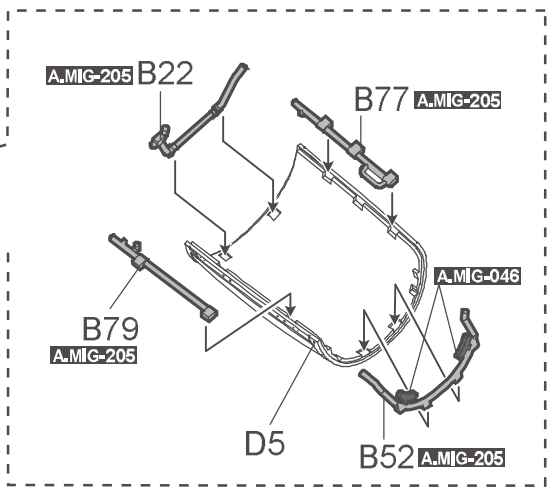
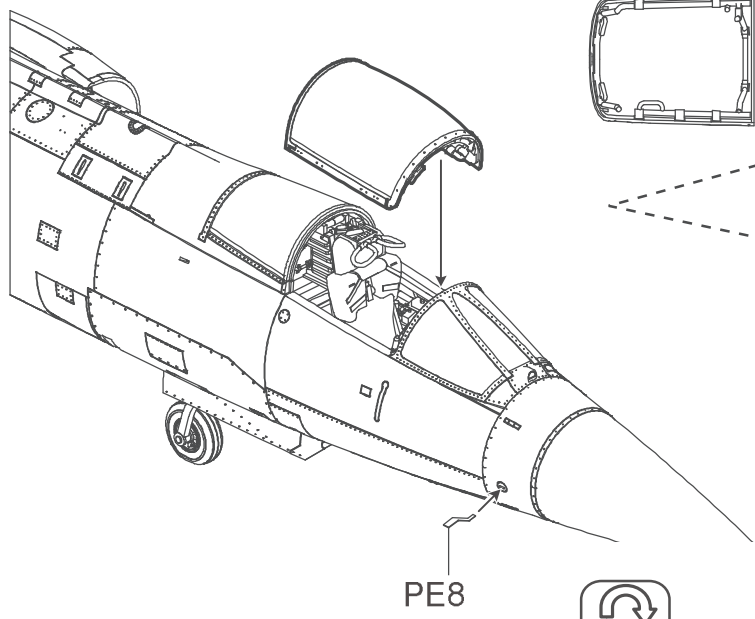
F-104S-ASA



27

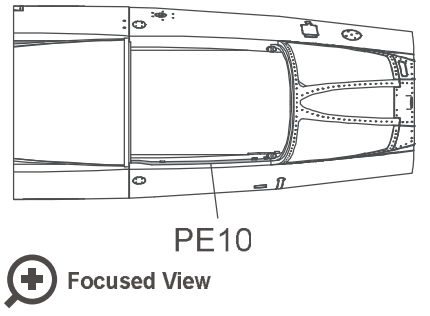
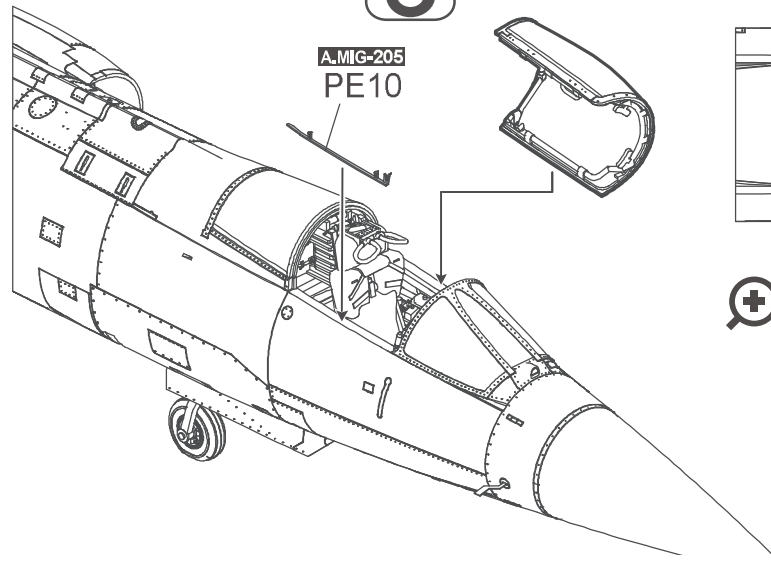
Canopy Close

Focused View

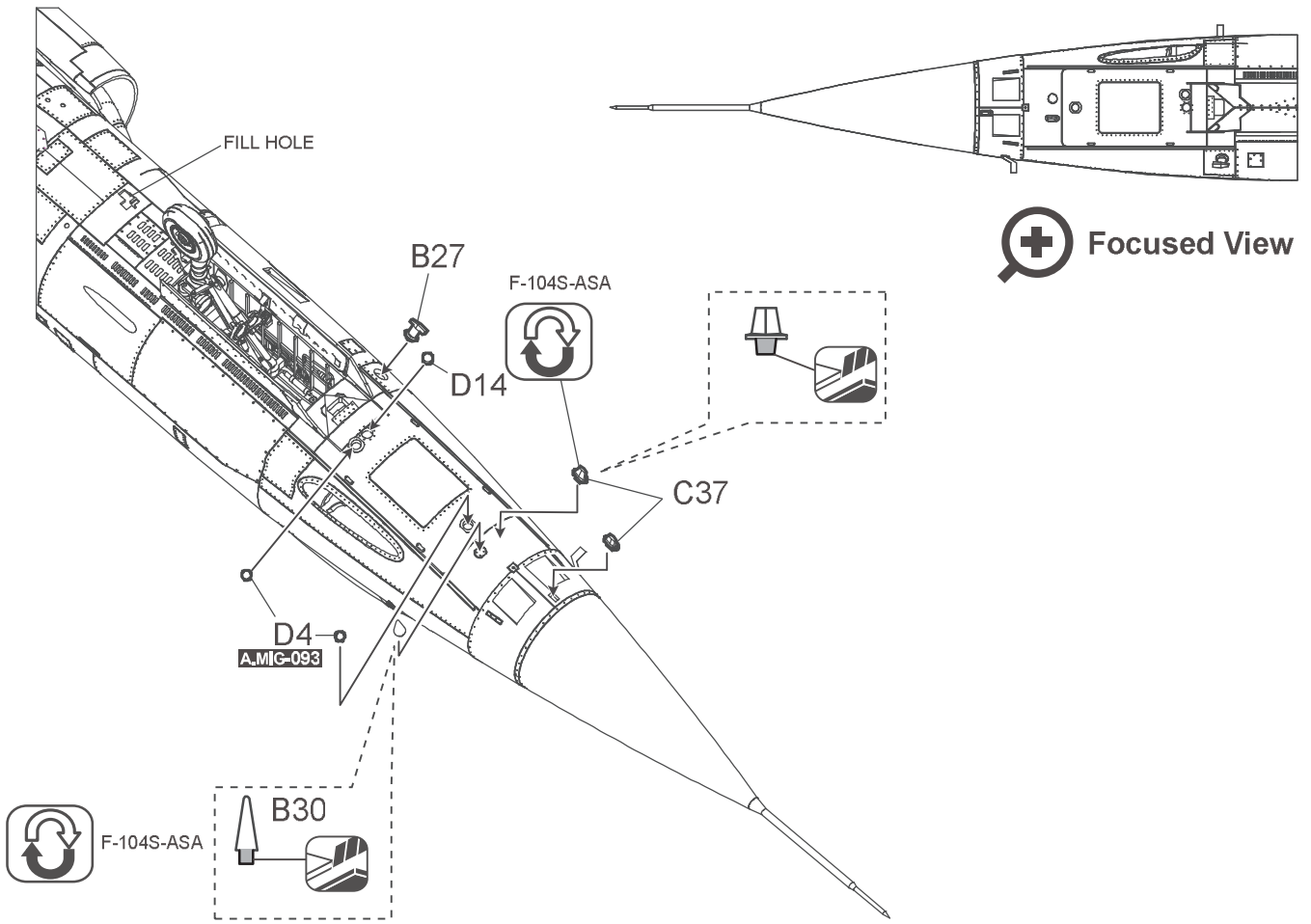


Canopy Open

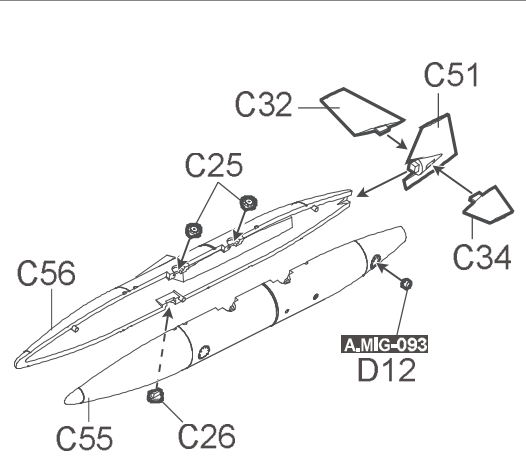
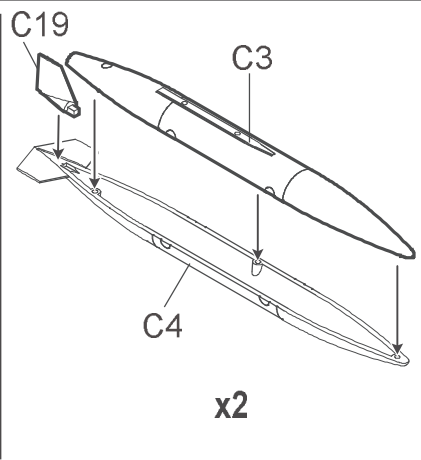
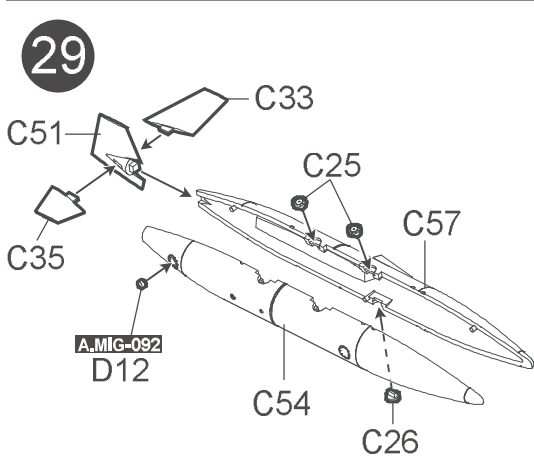
Focused View



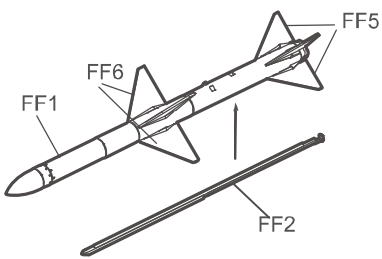
28



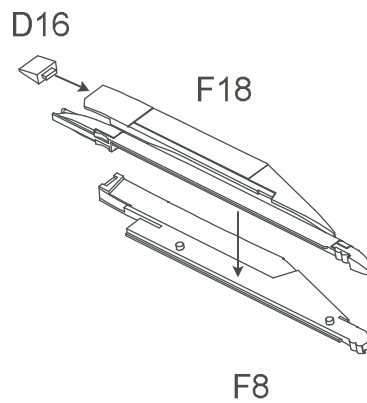
29



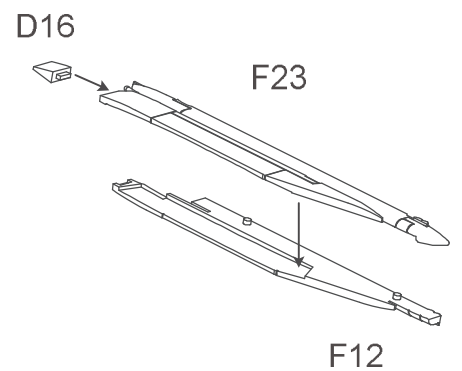
AIM-7



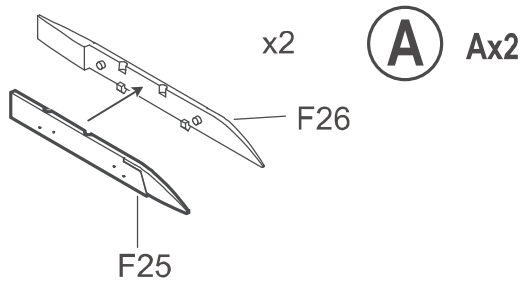
R



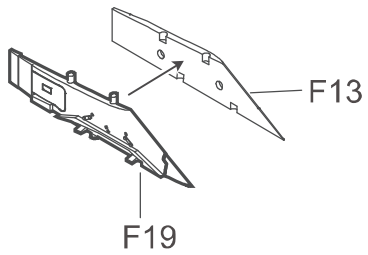
L



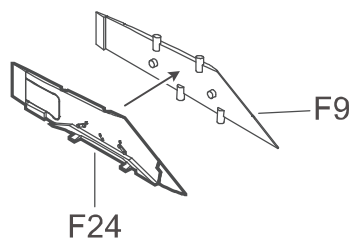
30



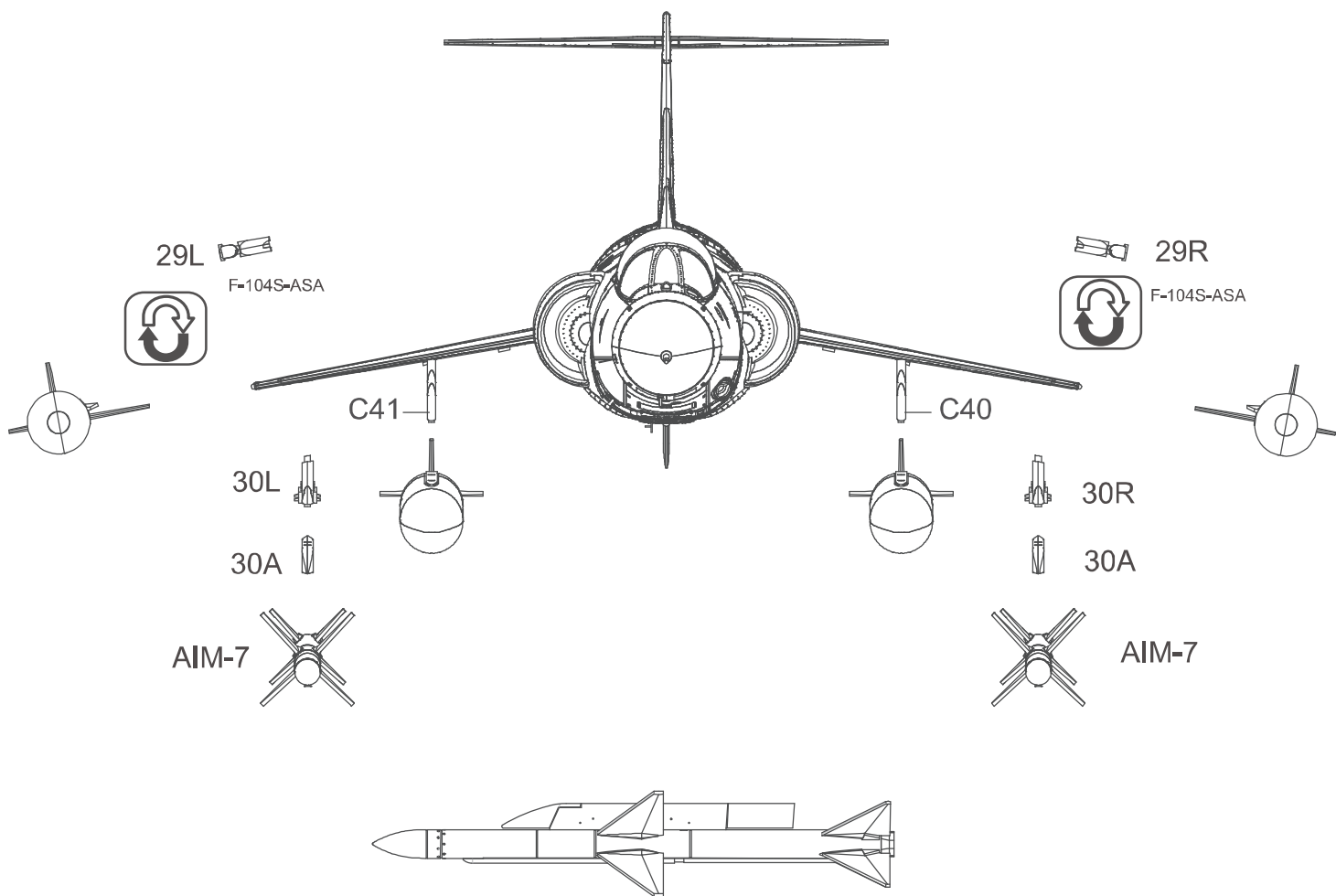
(R)



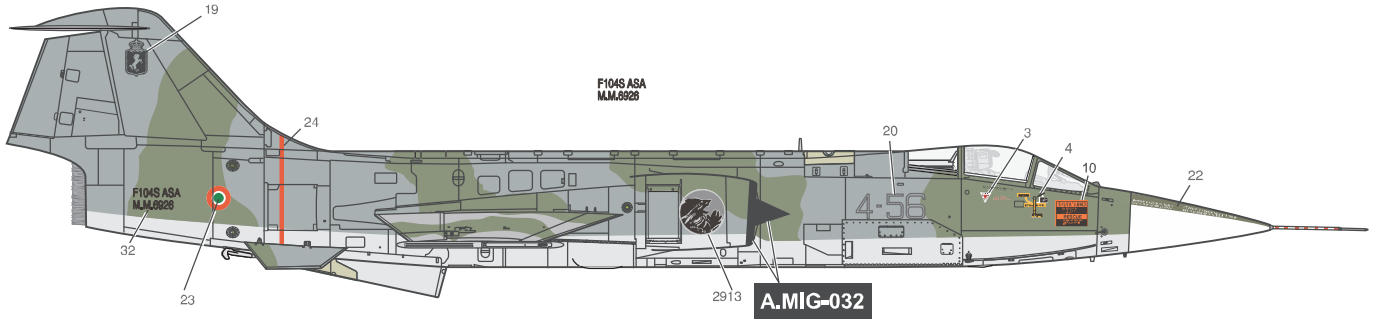
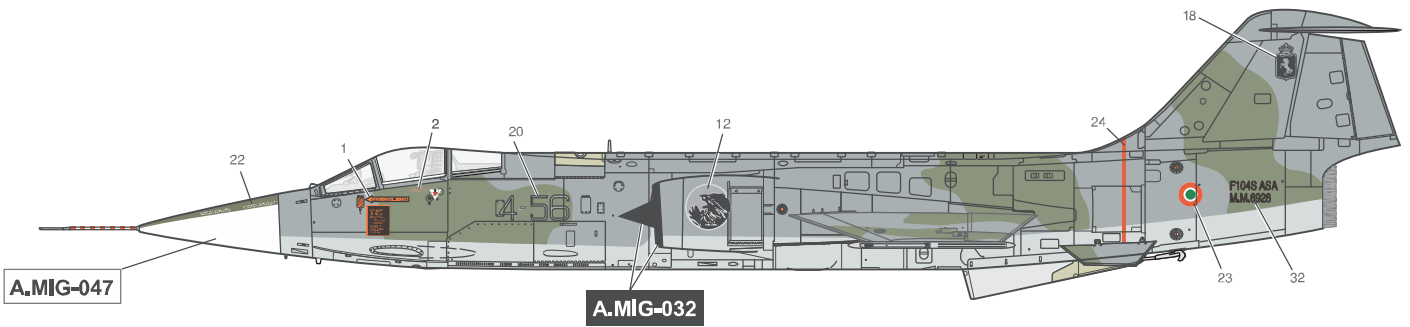
(L)



31



F-104 S ASA Starfighter, 20°Gruppo OCU/4°Stormo, Grosseto Air base.



A.MIG-032 Black

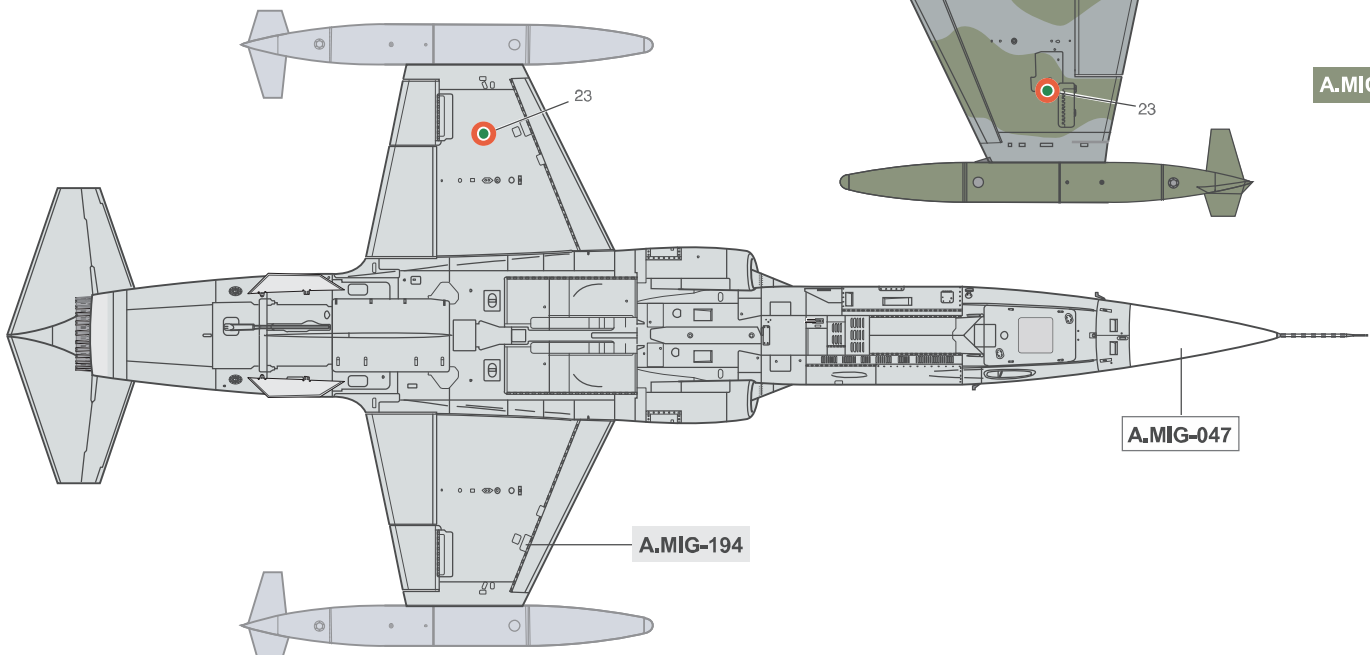
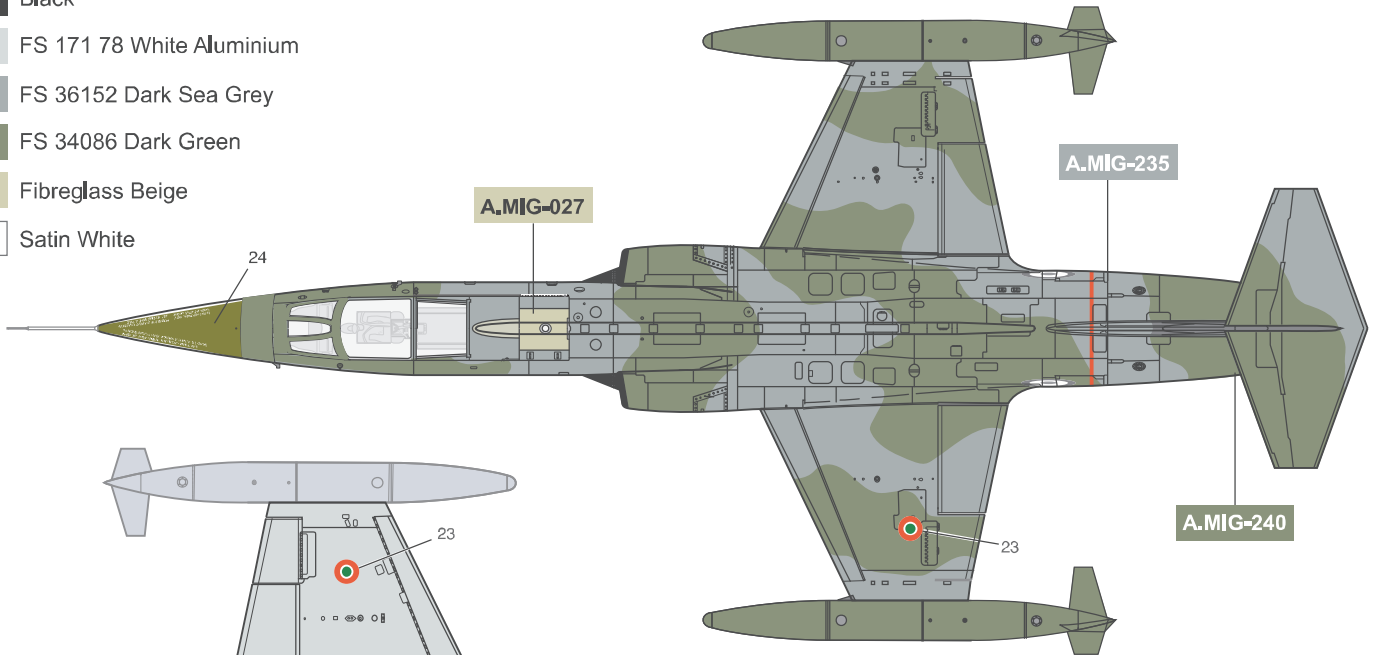
A.MIG-194 FS 171 78 White Aluminium

A.MIG-235 FS 36152 Dark Sea Grey

A.MIG-240 FS 34086 Dark Green

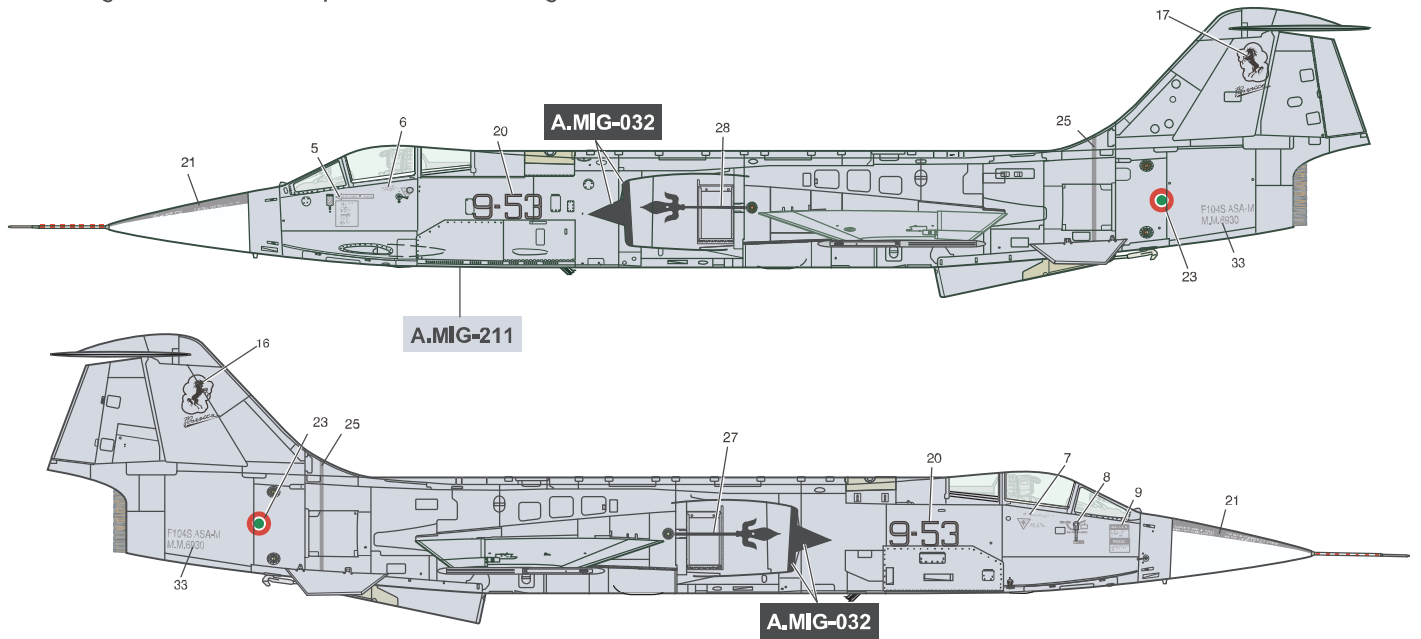
A.MIG-027 Fibreglass Beige

A.MIG-047 Satin White



F-104S ASA-M 10° Gruppo, 9° Stormo Grazzanise Air Base

Aircraft profile shown without tiptanks for clarity-
standard configuration includes tiptanks on both wings



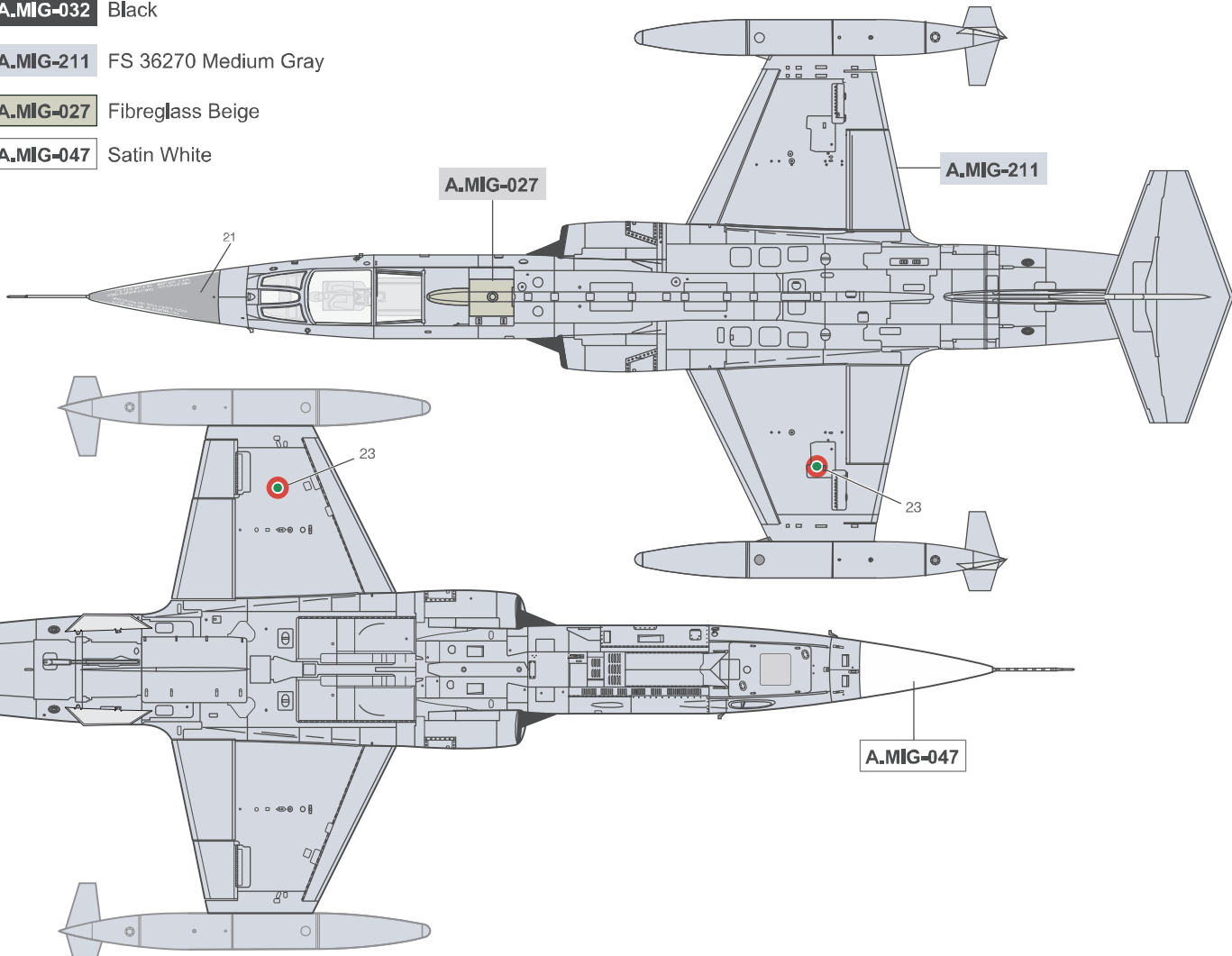
Low-viz FS Colors- 1995

A.MIG-032 Black

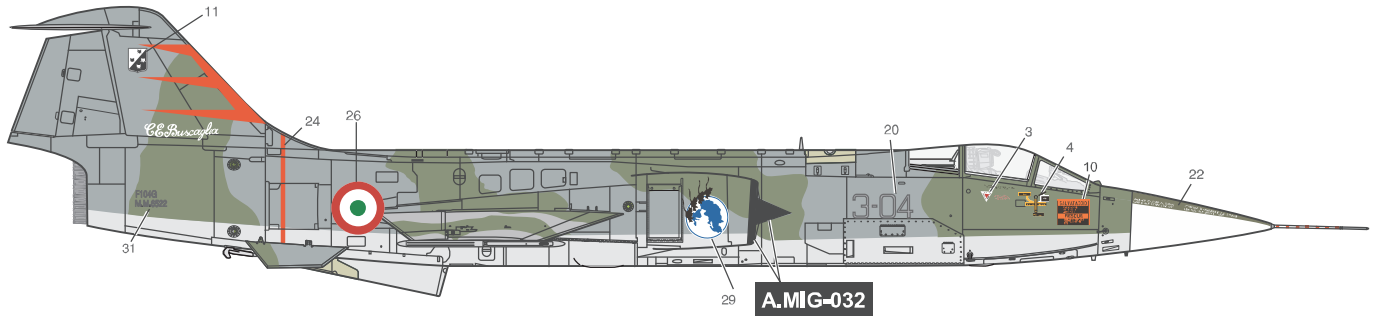
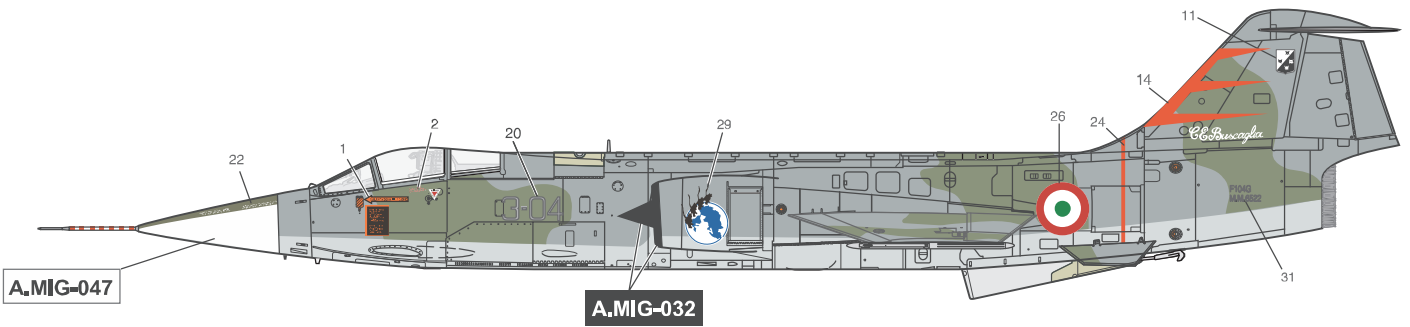
A.MIG-211 FS 36270 Medium Gray

A.MIG-027 Fibreglass Beige

A.MIG-047 Satin White



F-104G/S Starfighter, 3 Stormo-132 Gruppo Verona-Villafranca air base



A.MIG-032 Black

A.MIG-194 FS 171 78 White Aluminium

A.MIG-235 FS 36152 Dark Sea Grey

A.MIG-240 FS 34086 Dark Green

A.MIG-027 Fibreglass Beige

A.MIG-047 Satin White

