

**Instruction**

模型拼装說明書

**1:48 Scale**



**KITTY  
HAWK**

# F-35B LIGHTNING II



1:48 F-35B “闪电” II 战斗机

**KH80102**

Please visit our web site at  
[www.kittyhawkmodel.com](http://www.kittyhawkmodel.com)



# READ BEFORE ASSEMBLY

在組合您的模型之前，請充分閱讀本冊說明書。組合模型您需要如下物品（需另購）：模型膠水；一把模型鉗或一把用於將零件從框架上切下的模型筆刀。筆刀同樣可以用來修整零件的合模線。祝您制作愉快！

Before assembling your model kit, read through these instructions carefully. To assemble this kit, you will need Plastic glue ( not include ). A pair of side cutter or a sharp modelling knife is required for removing parts from the frame. Plastic mould lines can be removed with the modelling knife.

- 

請注意  
Special instructions
- 

隨愛好選擇  
Optional
- 

組合完成  
Finished Assembly
- 

彎曲  
Bend
- 

制作兩組  
Make Two
- 

鉗孔  
Make Hole
- 

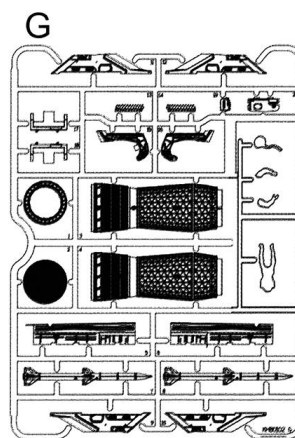
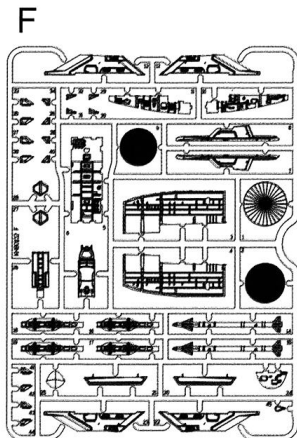
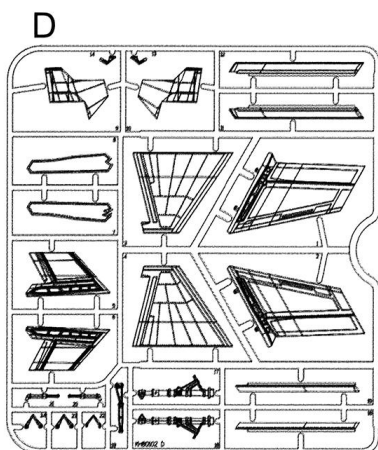
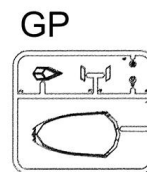
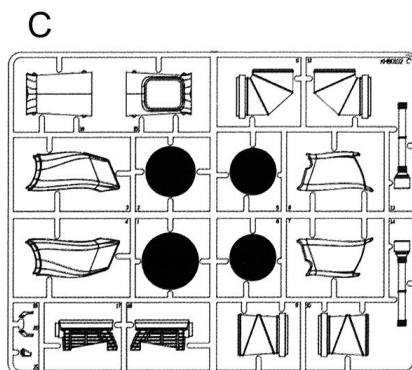
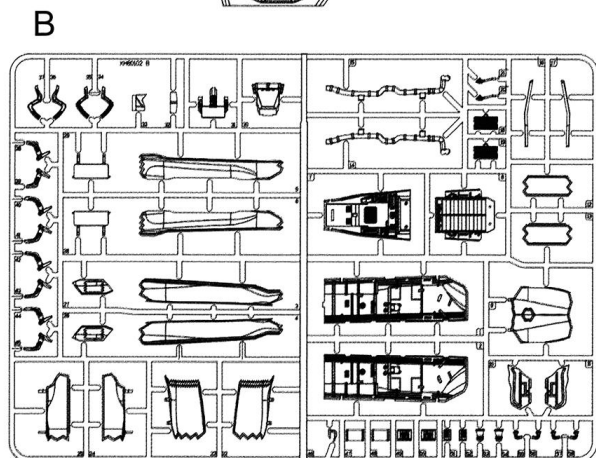
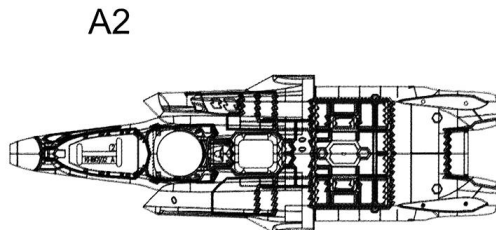
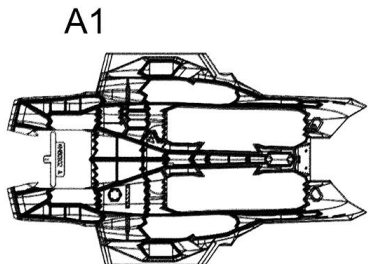
塗色  
Painting
- 

無需膠粘  
Do Not Cement
- 

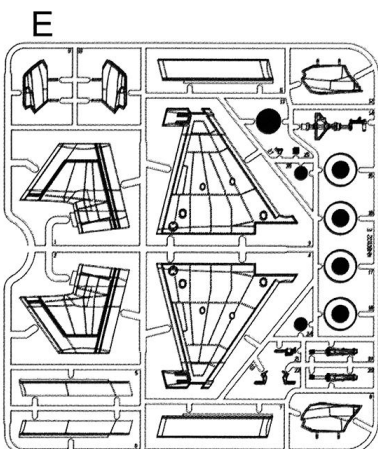
切除  
Cut
- 

對側  
Opposite

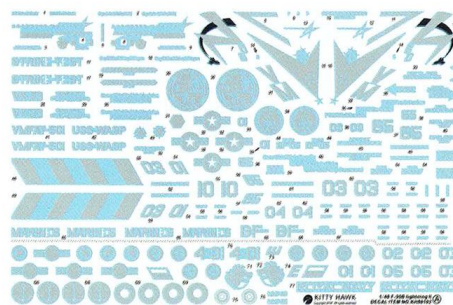
## 部品图 Part



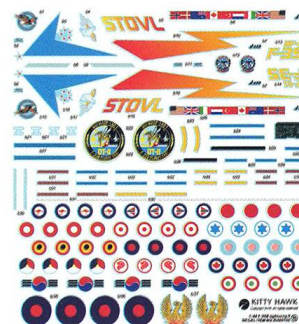
《蚀刻片》  
PE

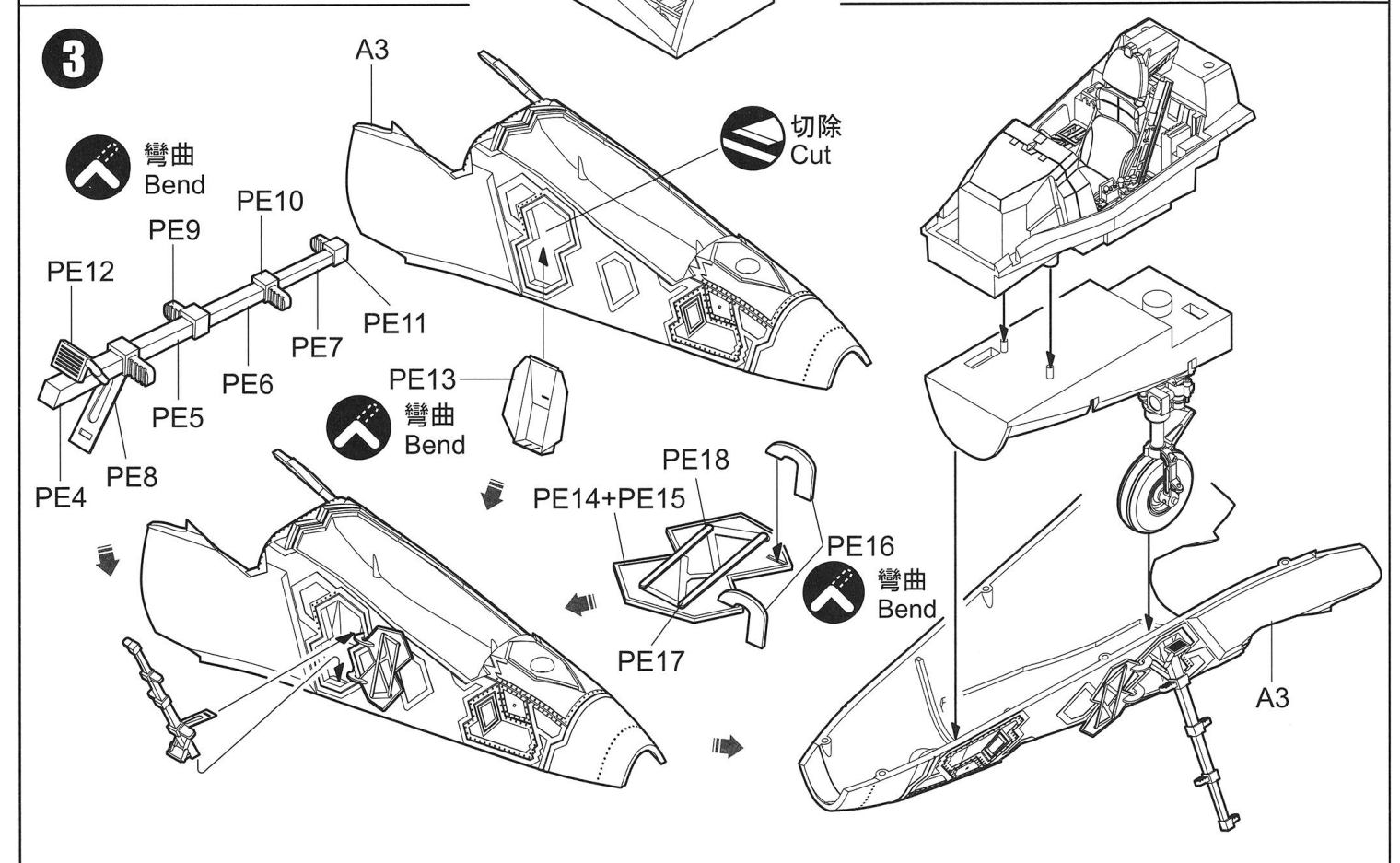
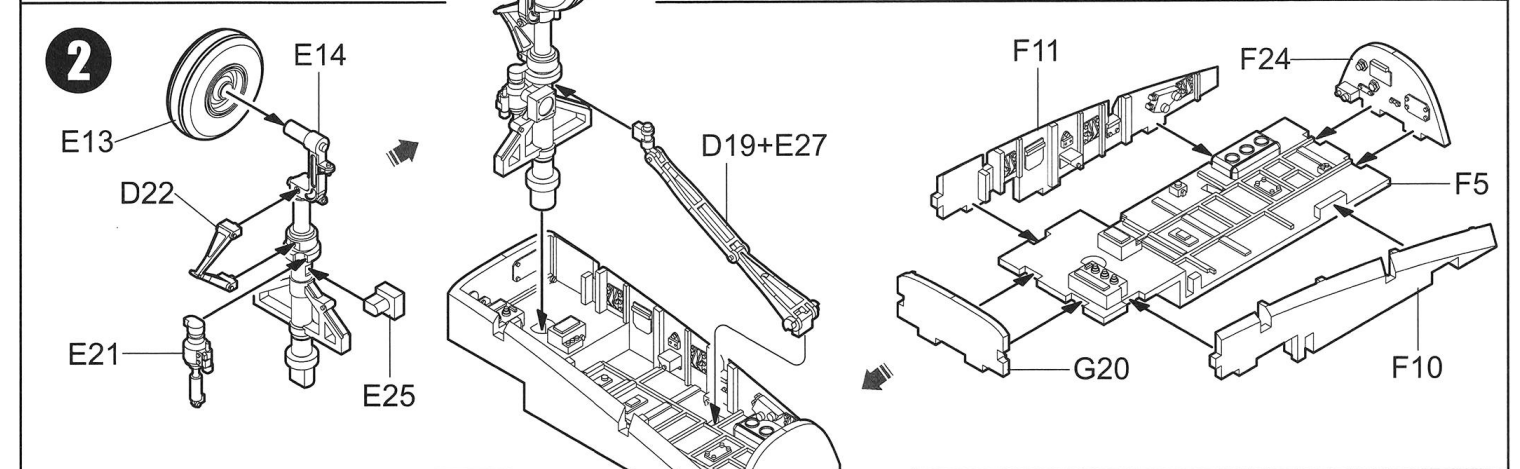
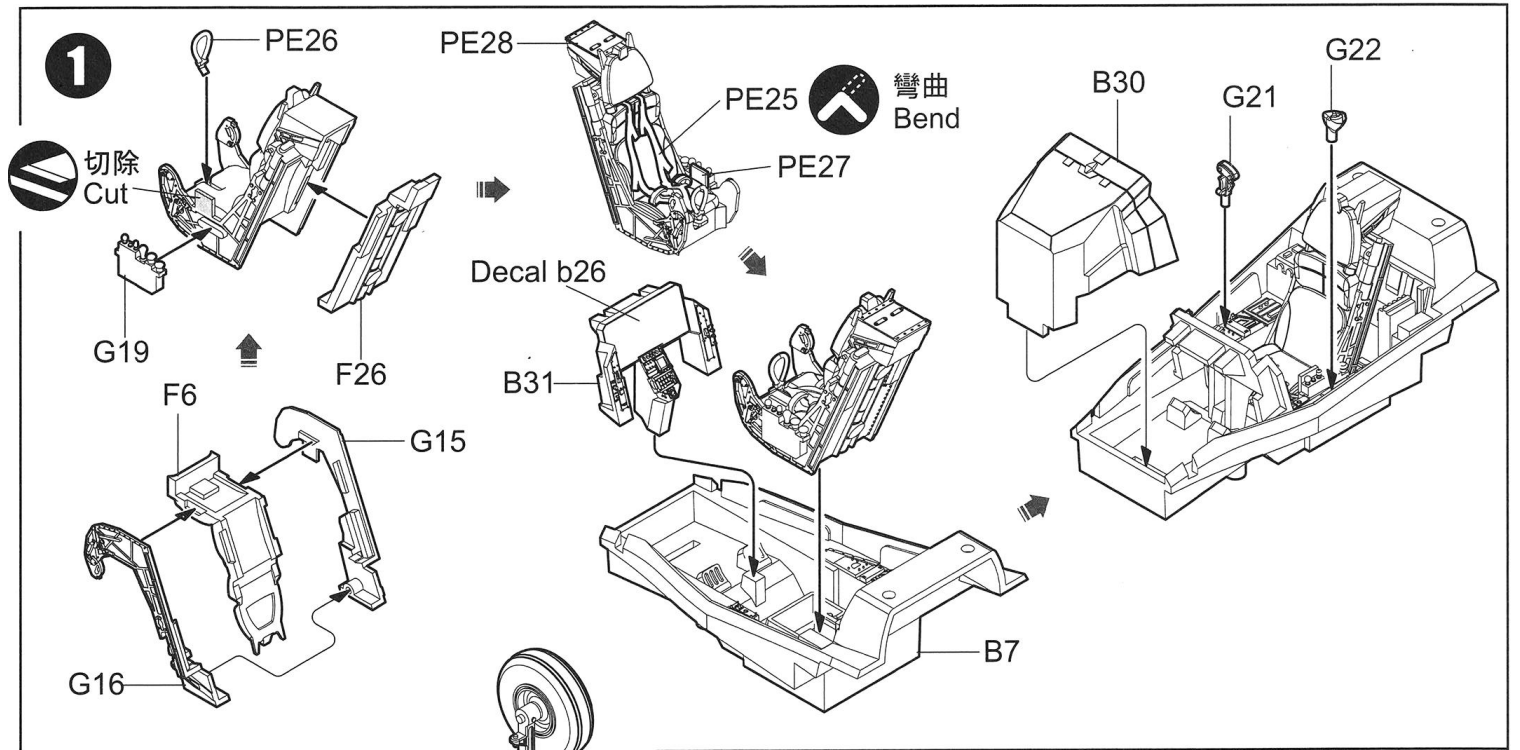


《水贴纸A》  
Decal A



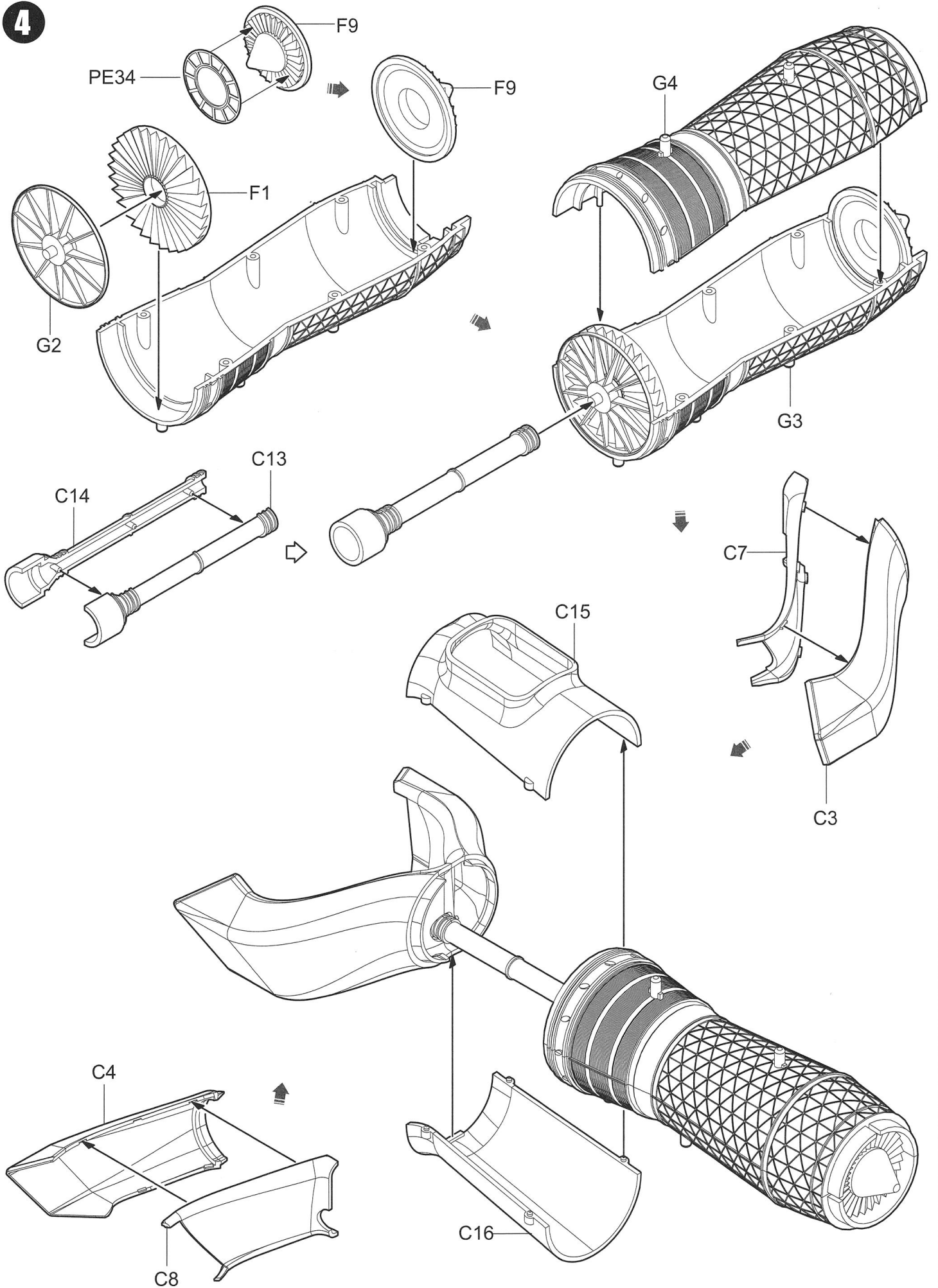
《水贴纸B》  
Decal B





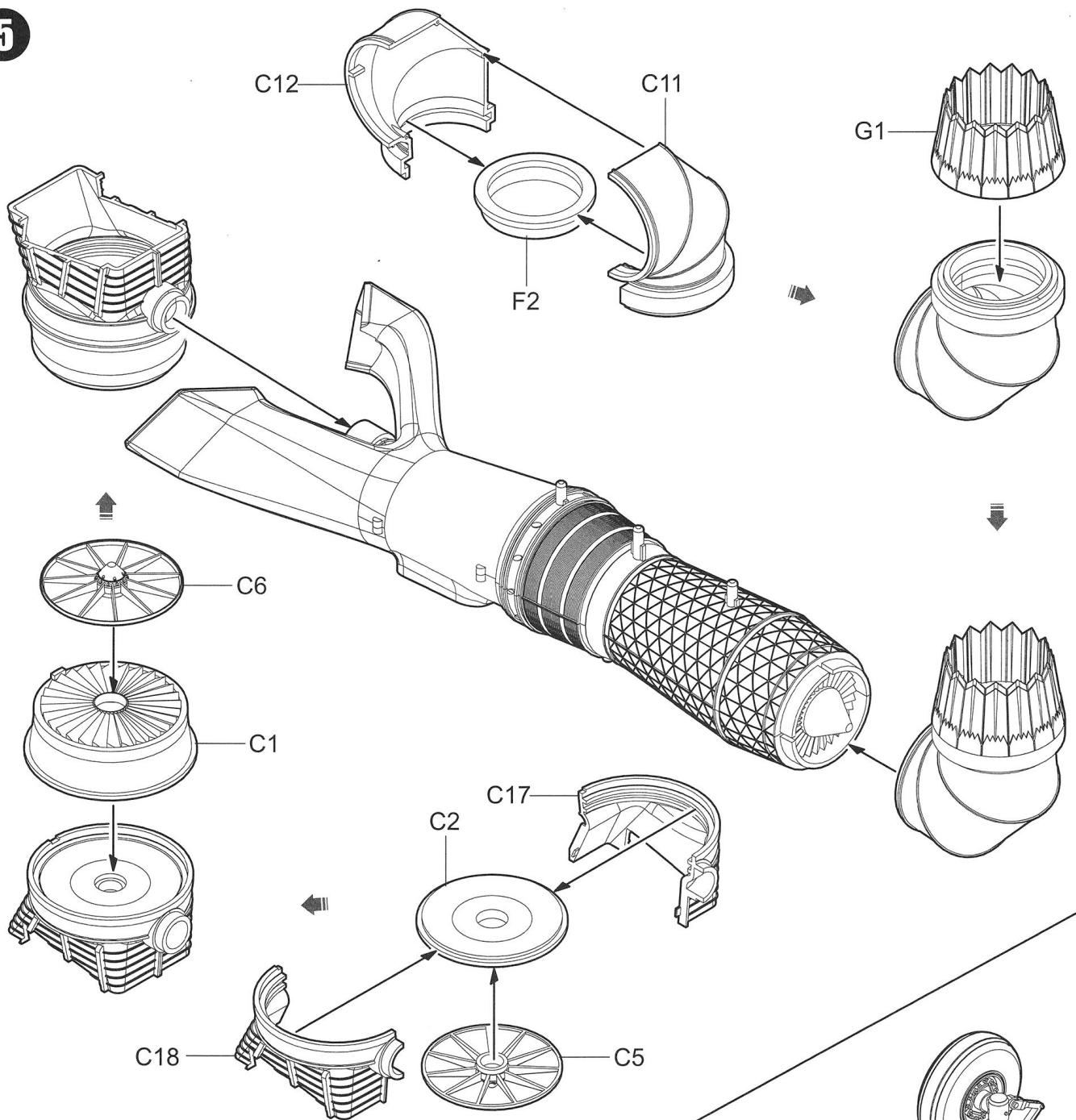


4

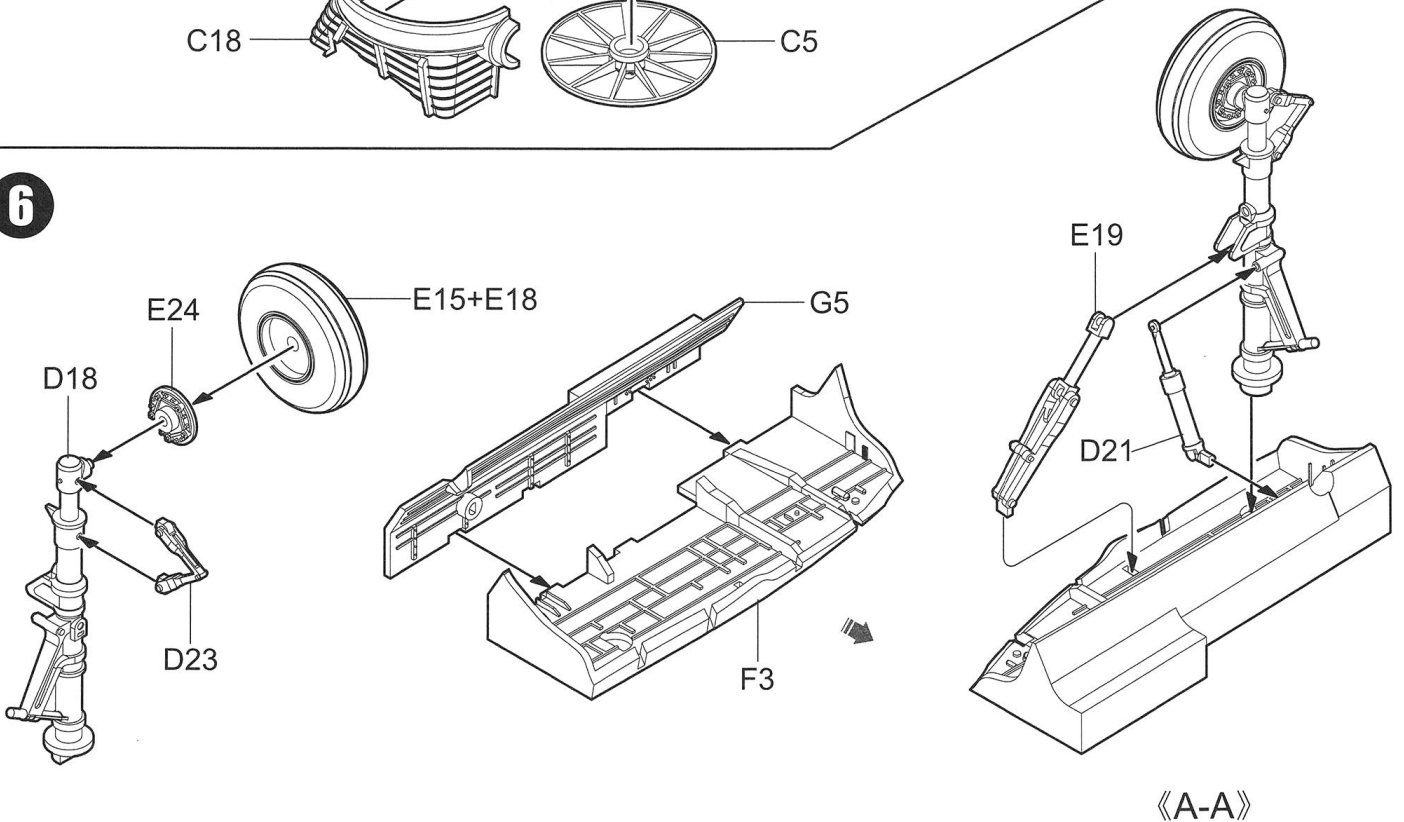




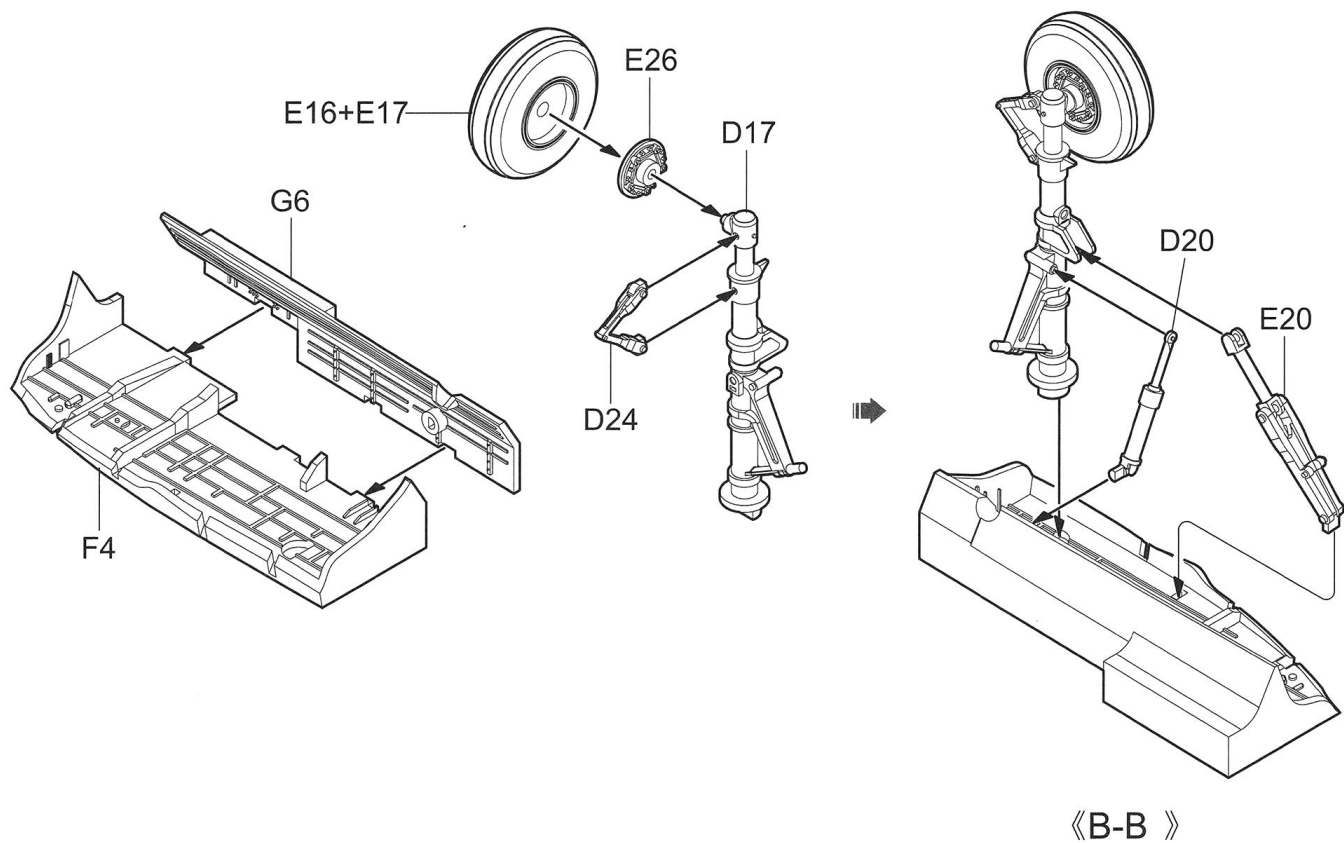
5



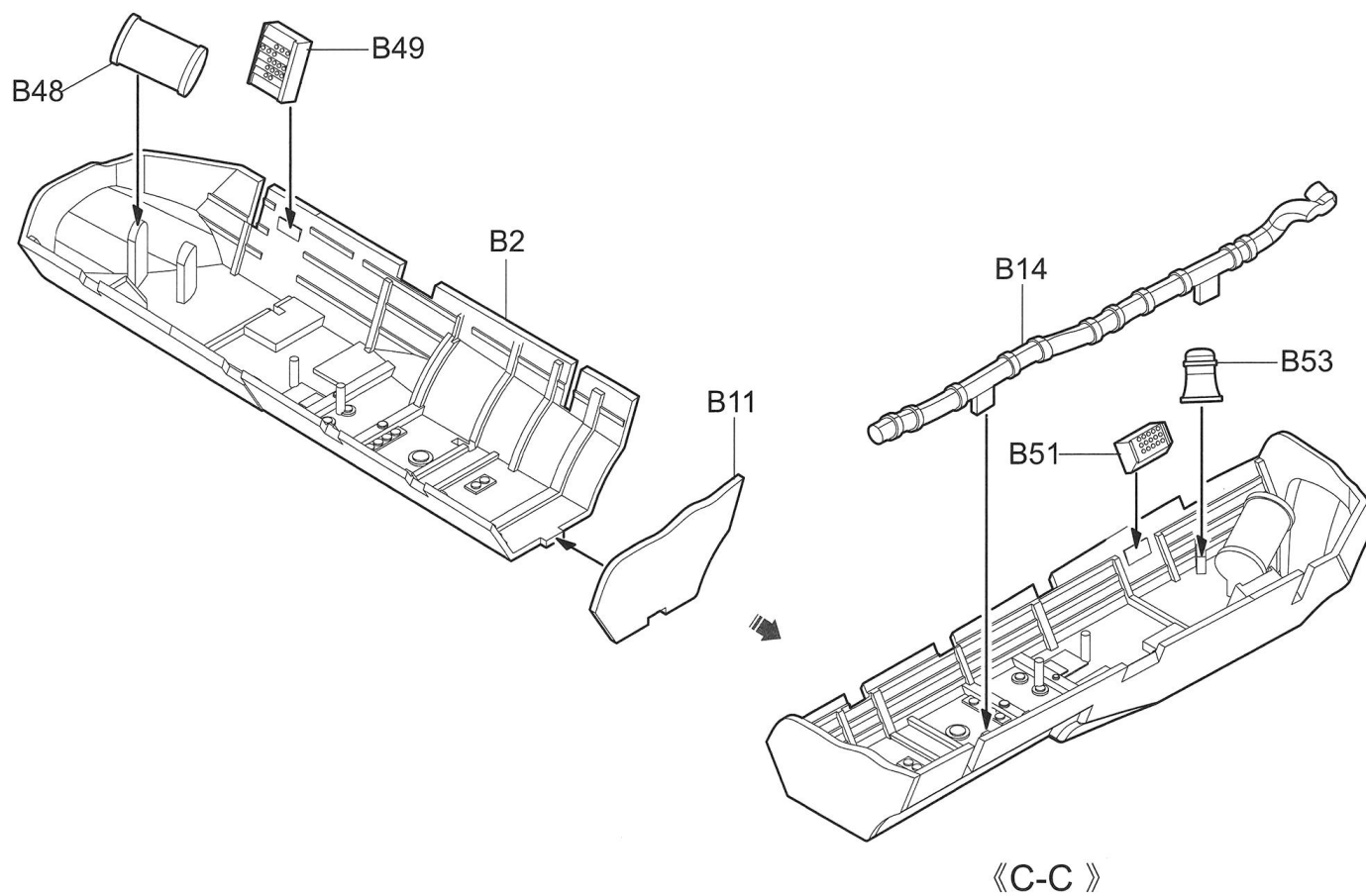
6



7

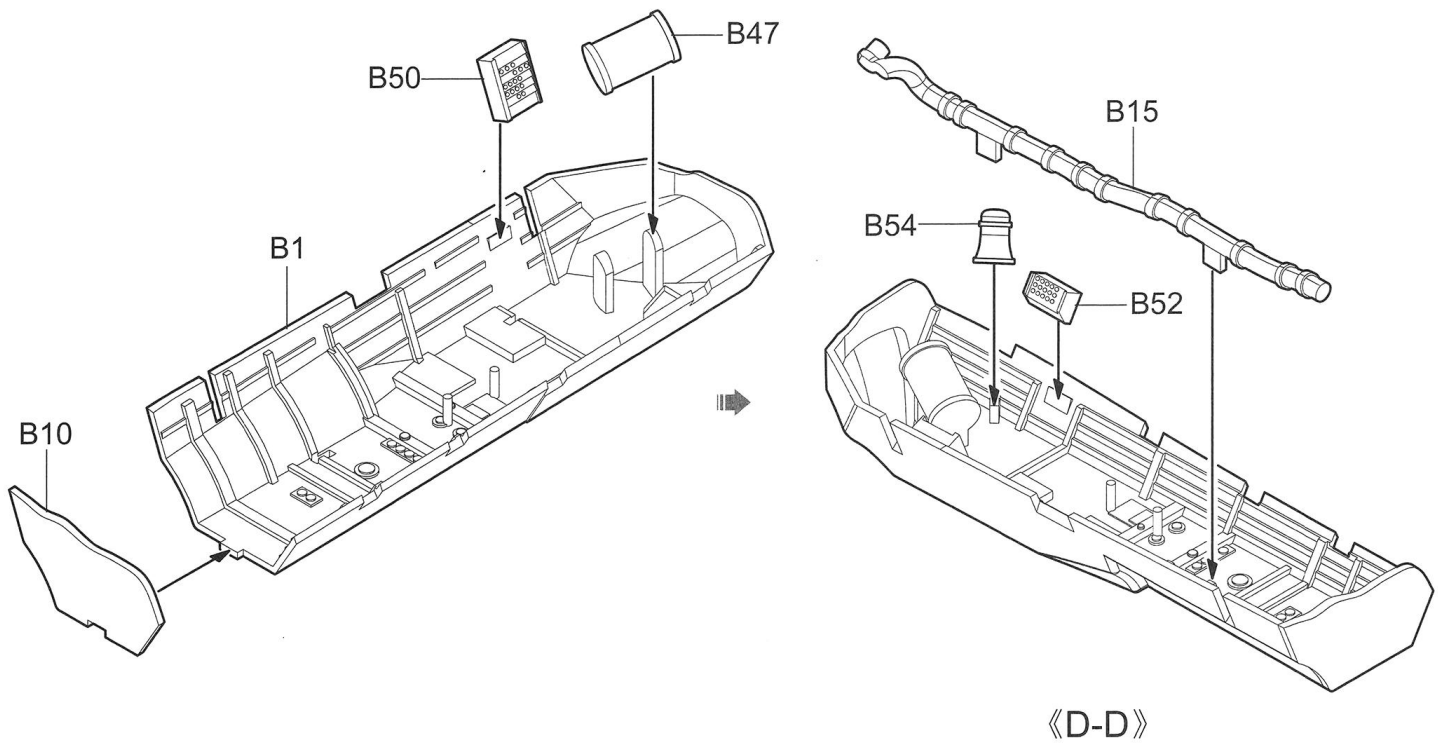


8

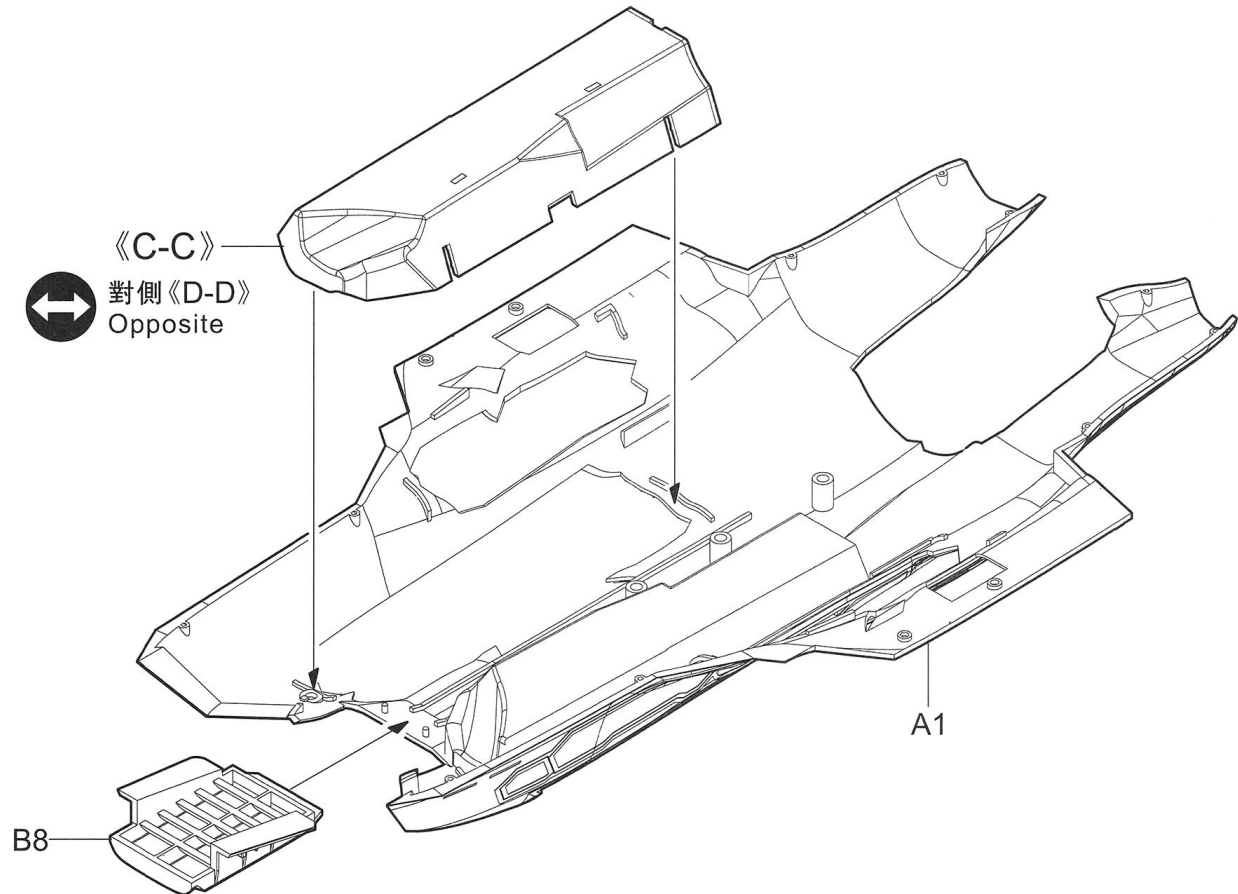




9



10

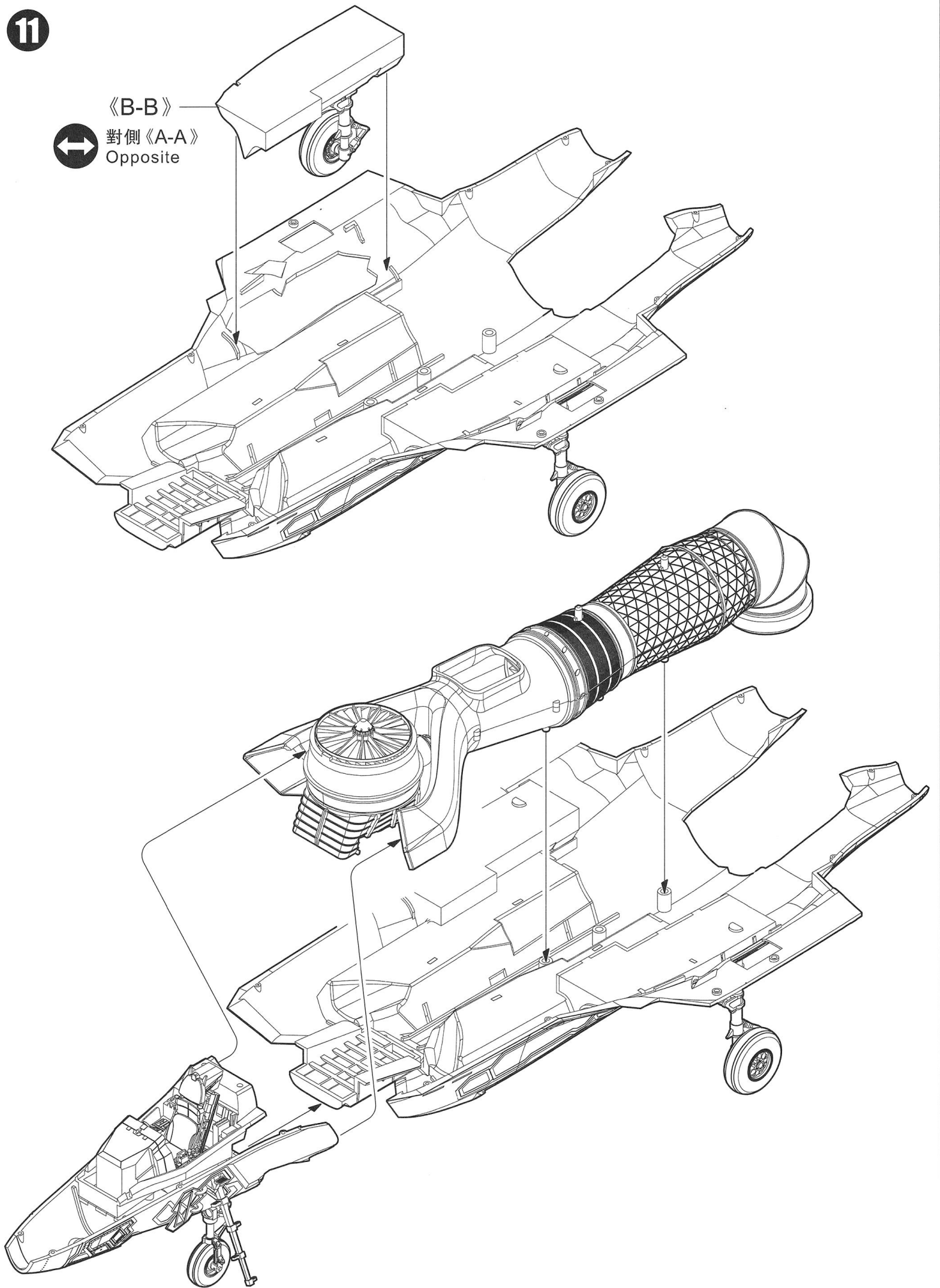


11

《B-B》



對側《A-A》  
Opposite



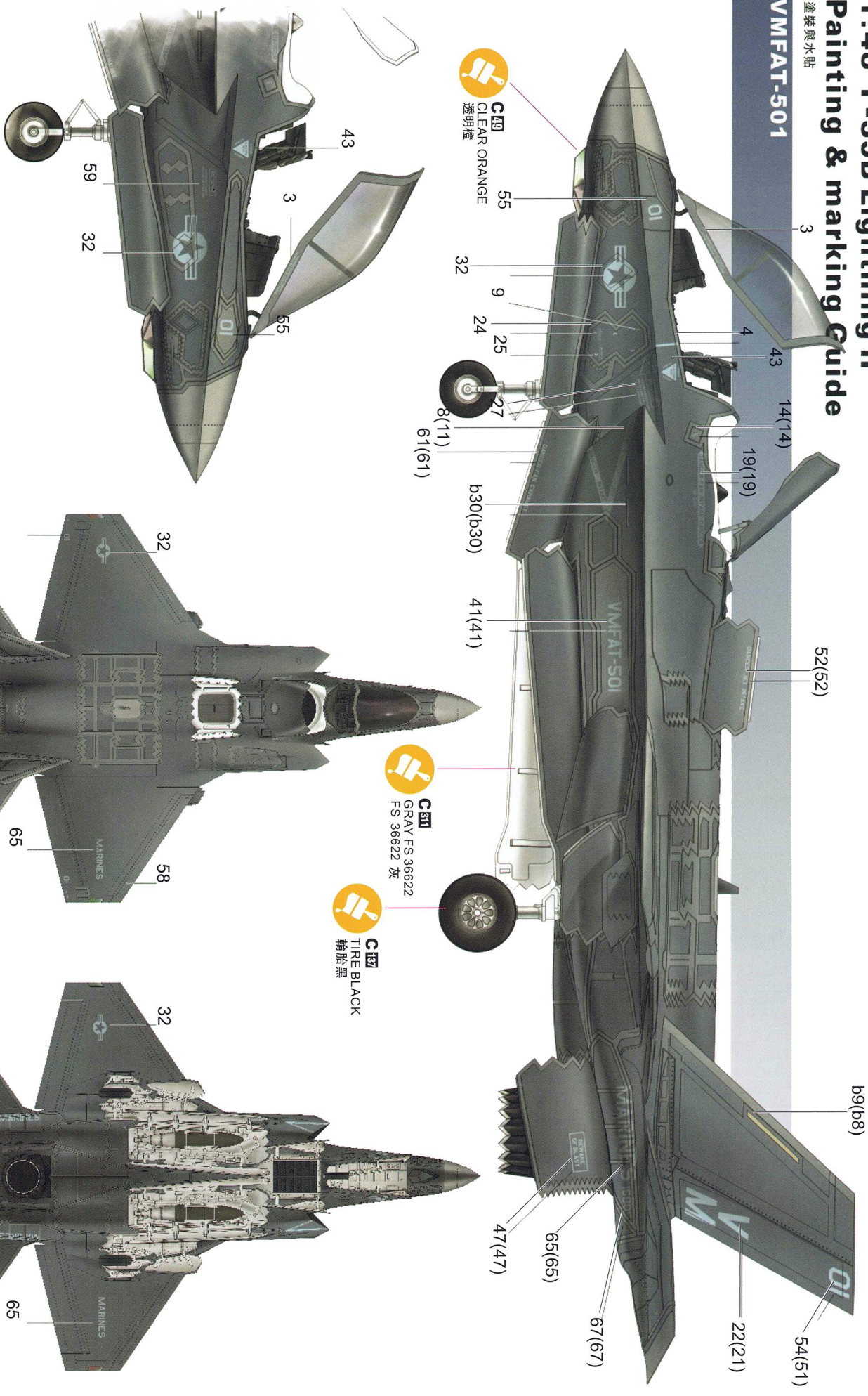


# 1:48 F-35B Lightning II

## Painting & marking Guide

塗裝與水貼

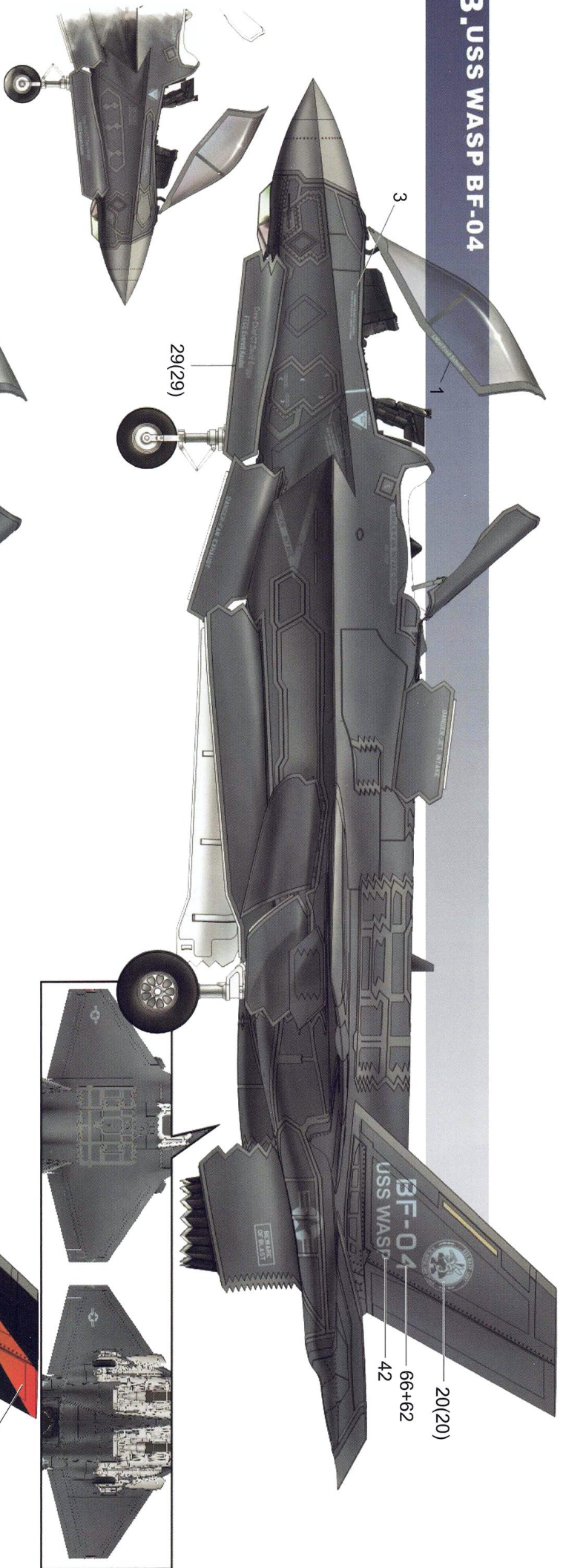
### A. VMFAT-501



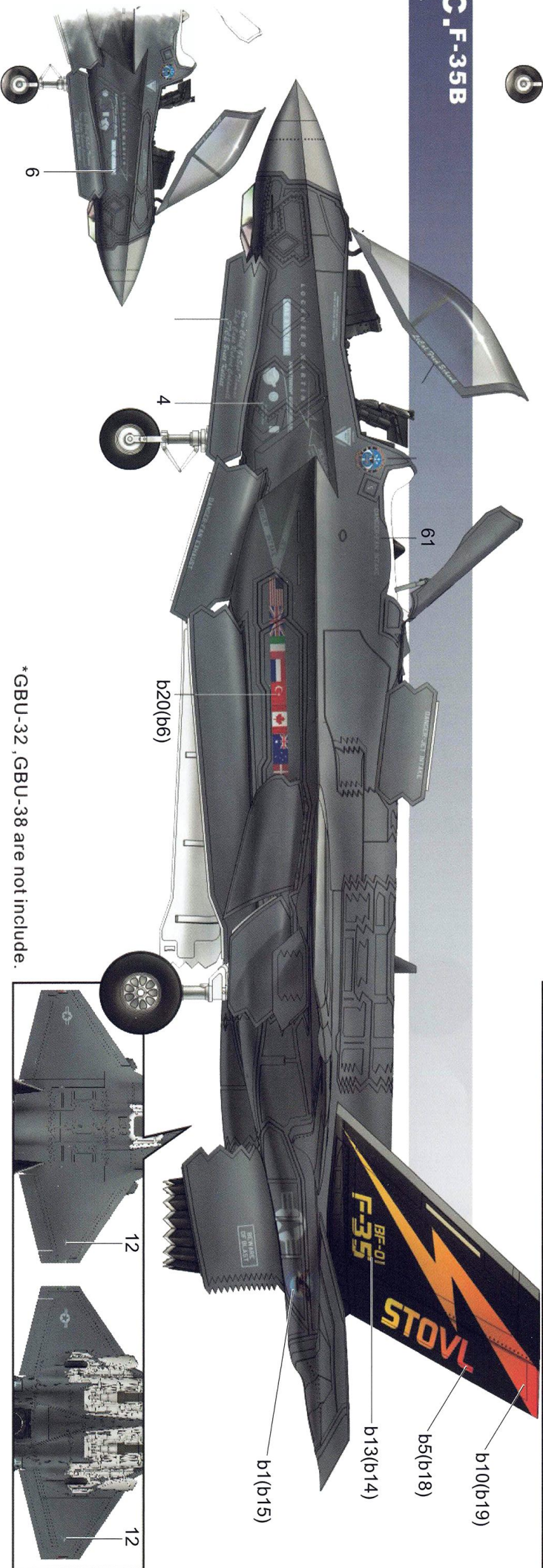
\*GBU-32, GBU-38 are not include



**B, USS WASP BF-04**



**C, F-35B**



\*GBU-32, GBU-38 are not include.





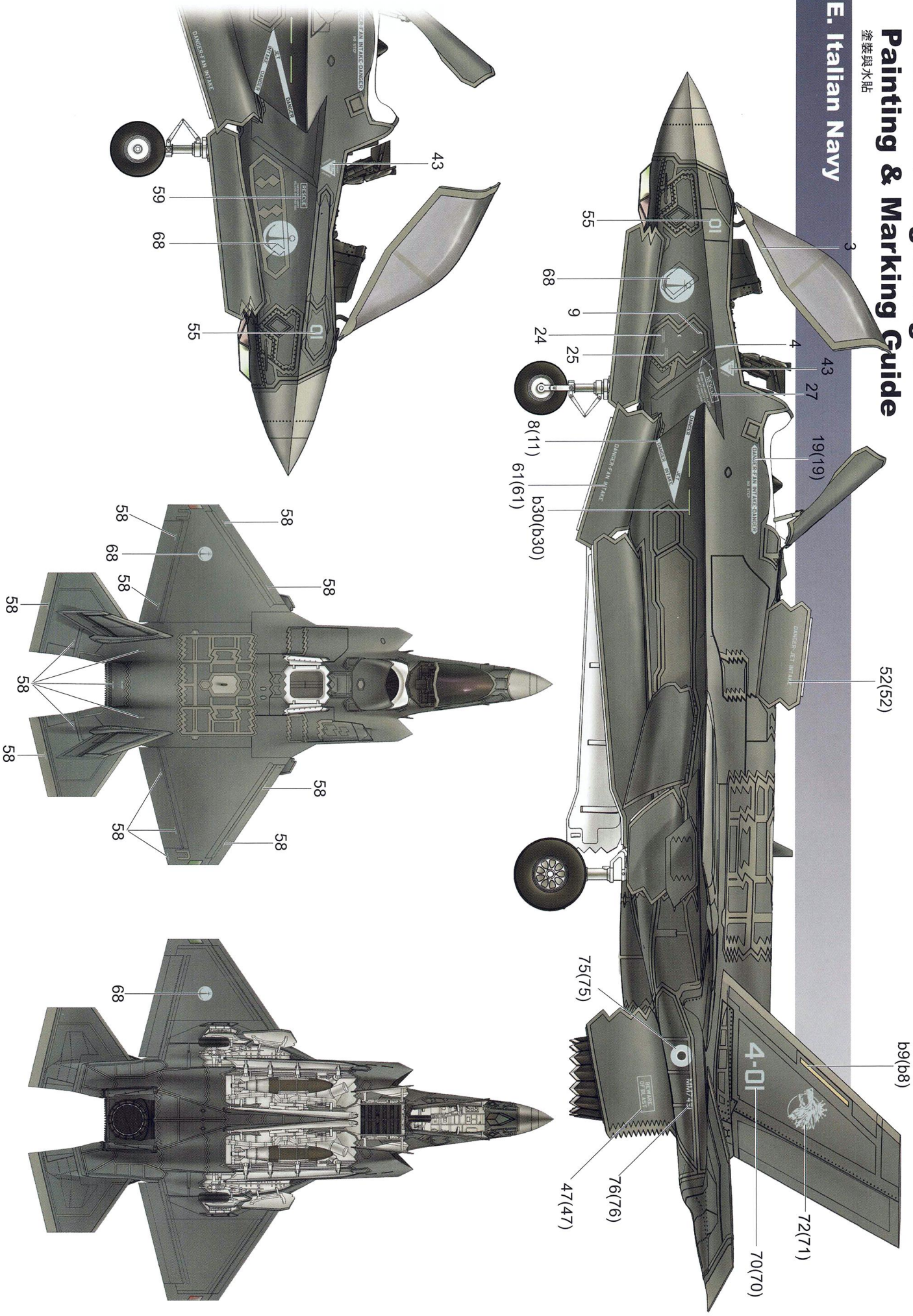


# 1:48 F-35B Lightning II

## Painting & Marking Guide

塗裝與水貼

### E. Italian Navy



12

B33

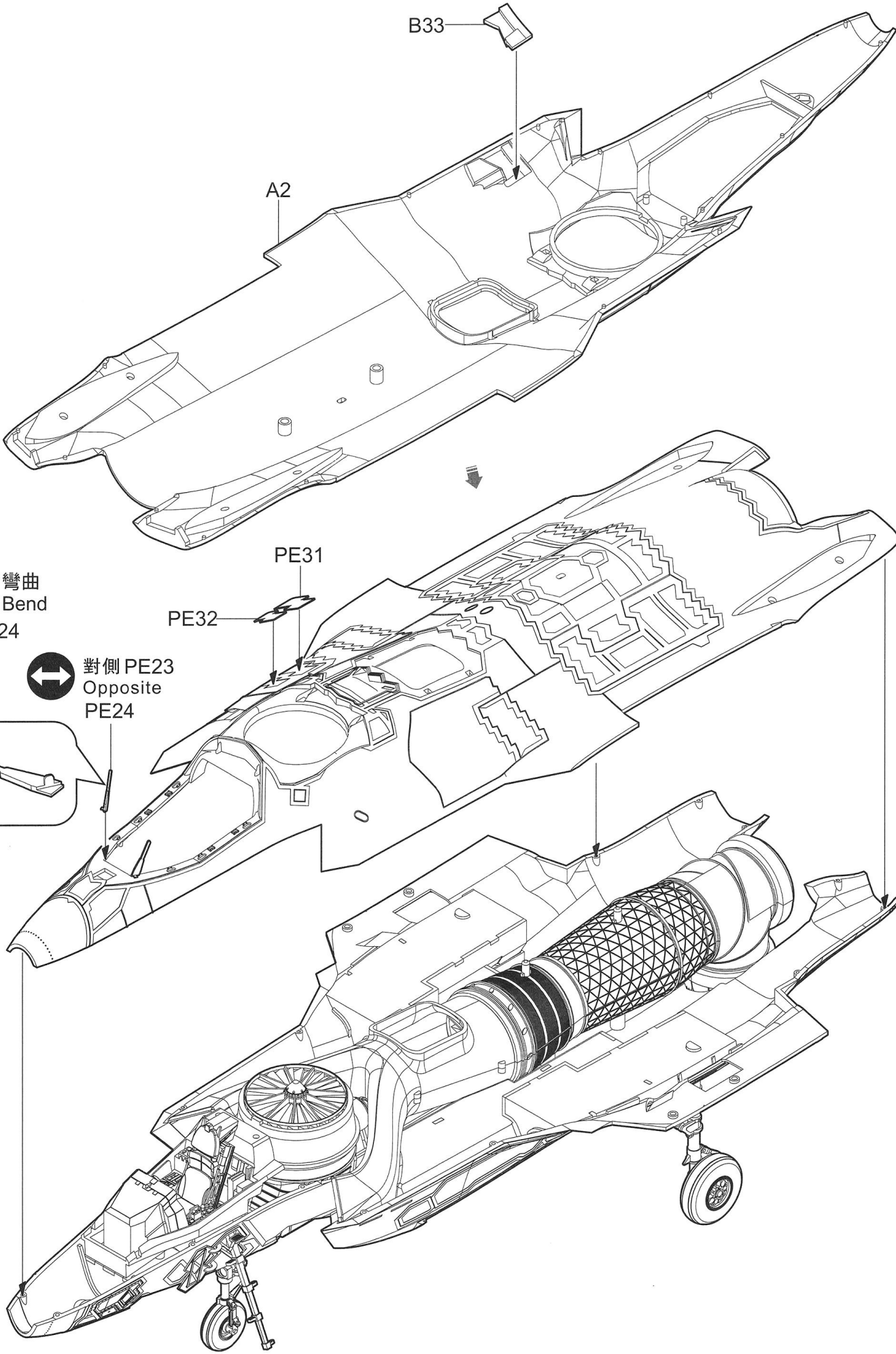
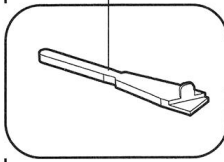
A2

PE31

PE32

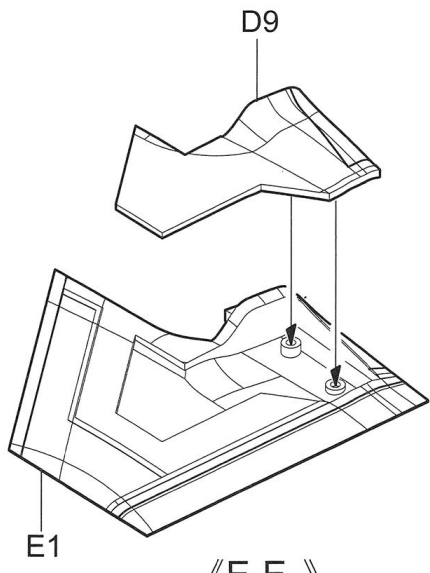
對側 PE23  
Opposite  
PE24

PE24

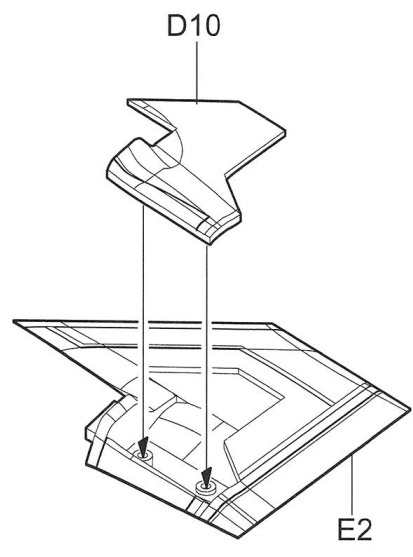




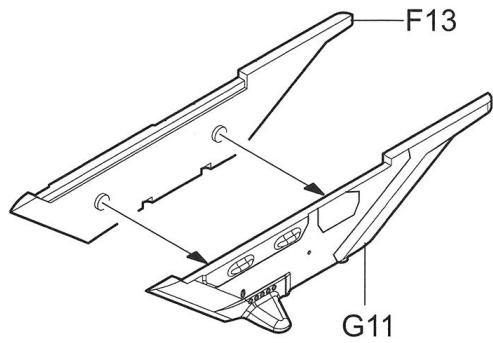
13



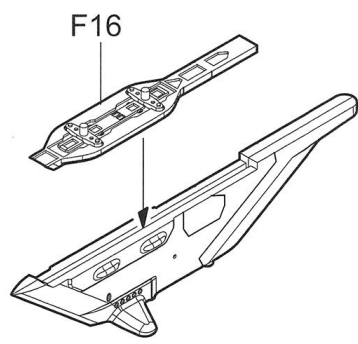
《E-E》



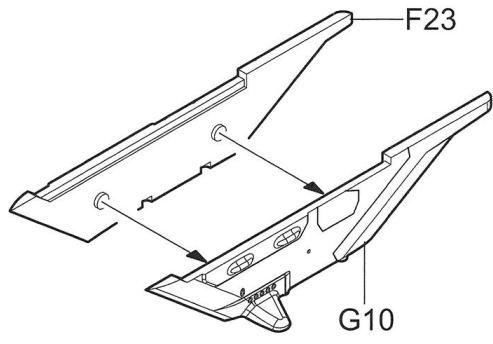
《F-F》



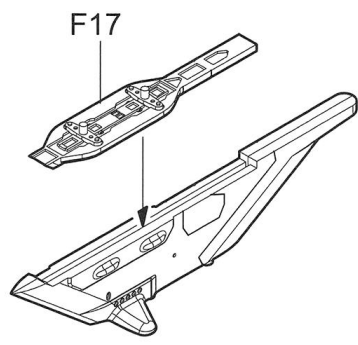
G11



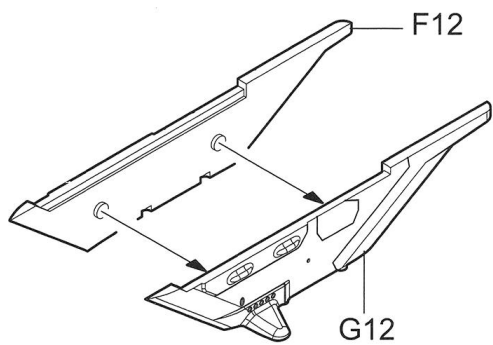
《G-G》



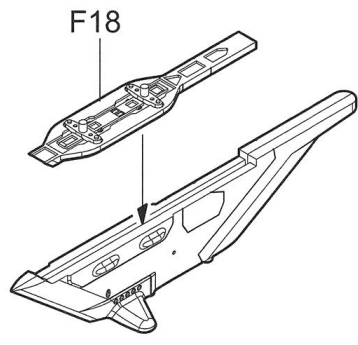
G10



《H-H》

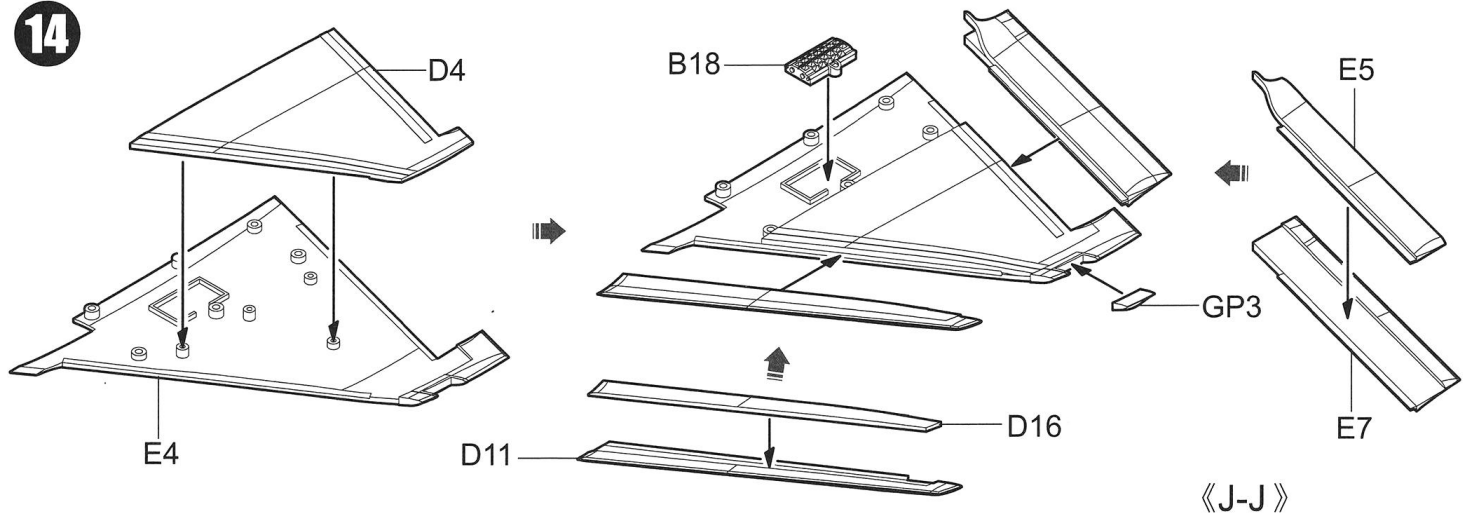


G12



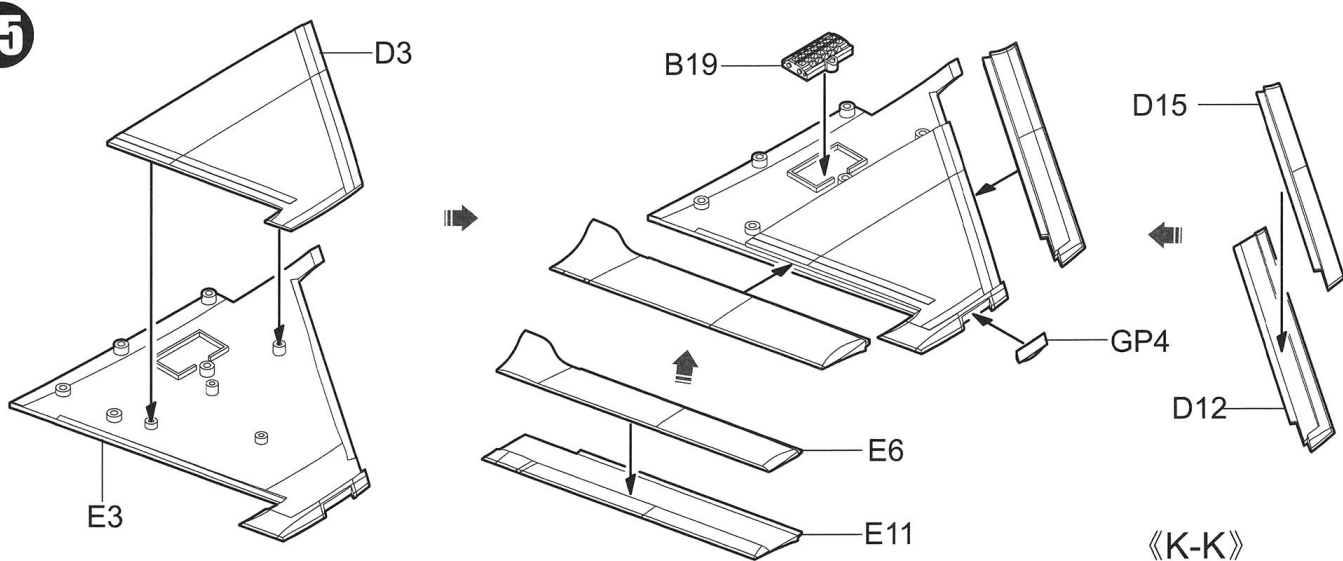
《I-I》

14



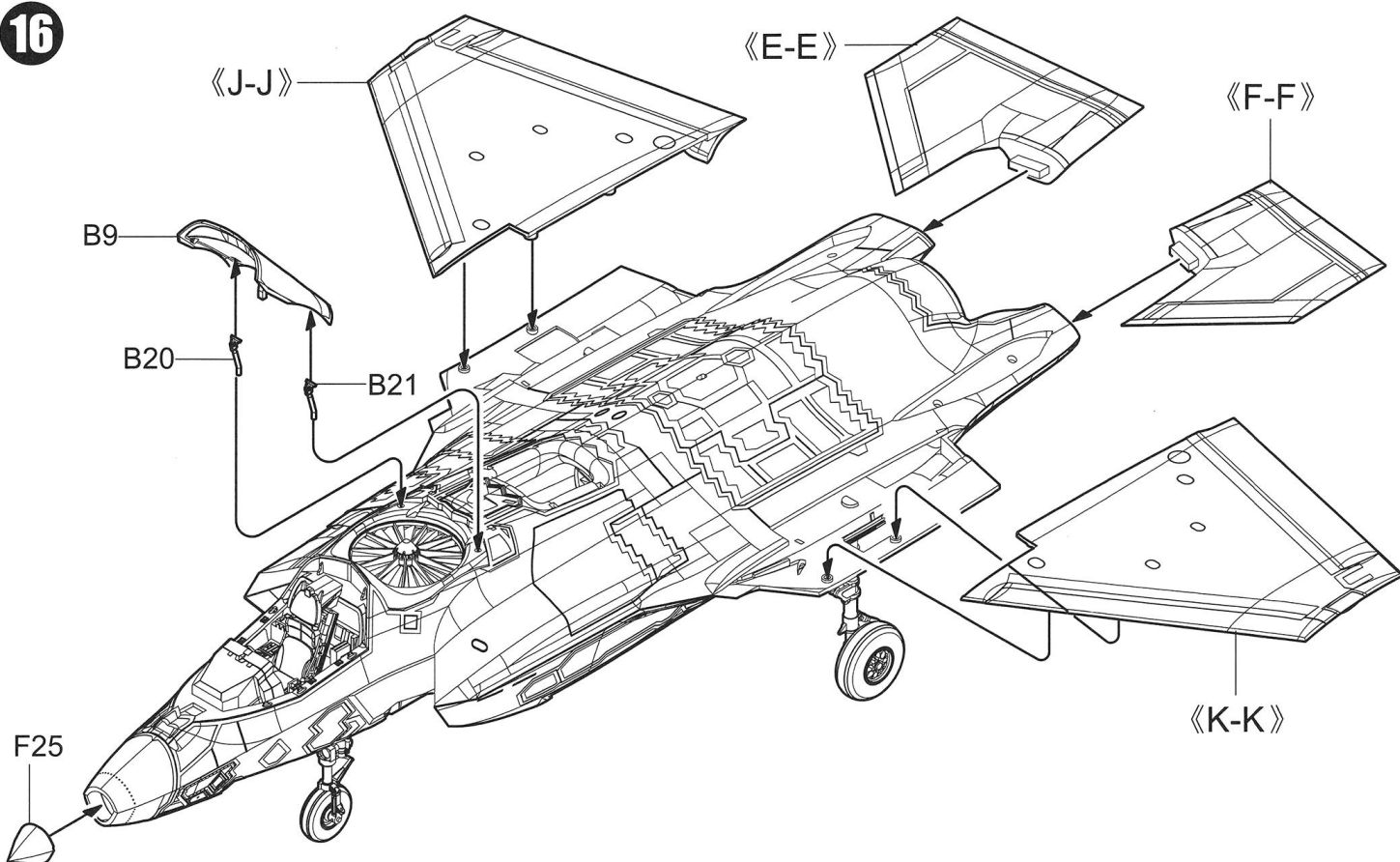
《J-J》

15



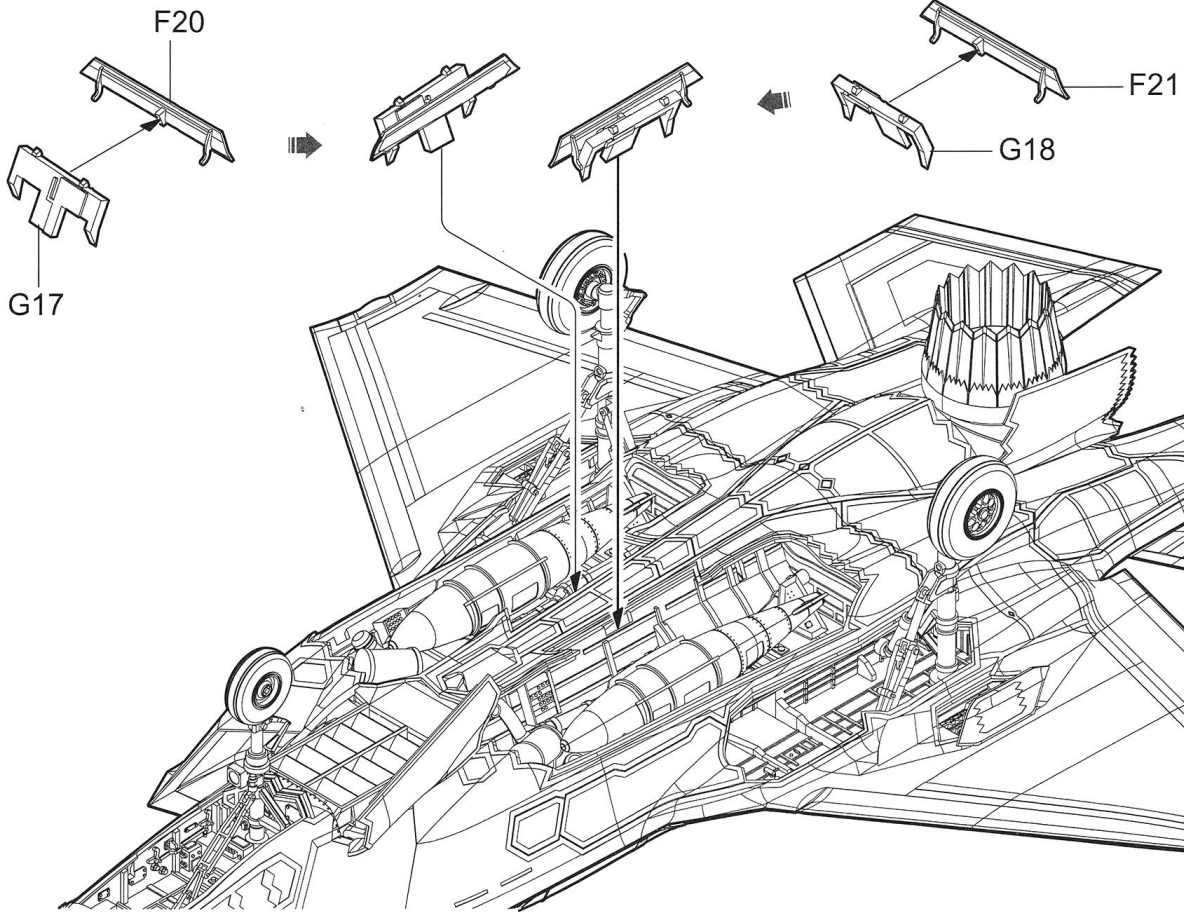
《K-K》

16

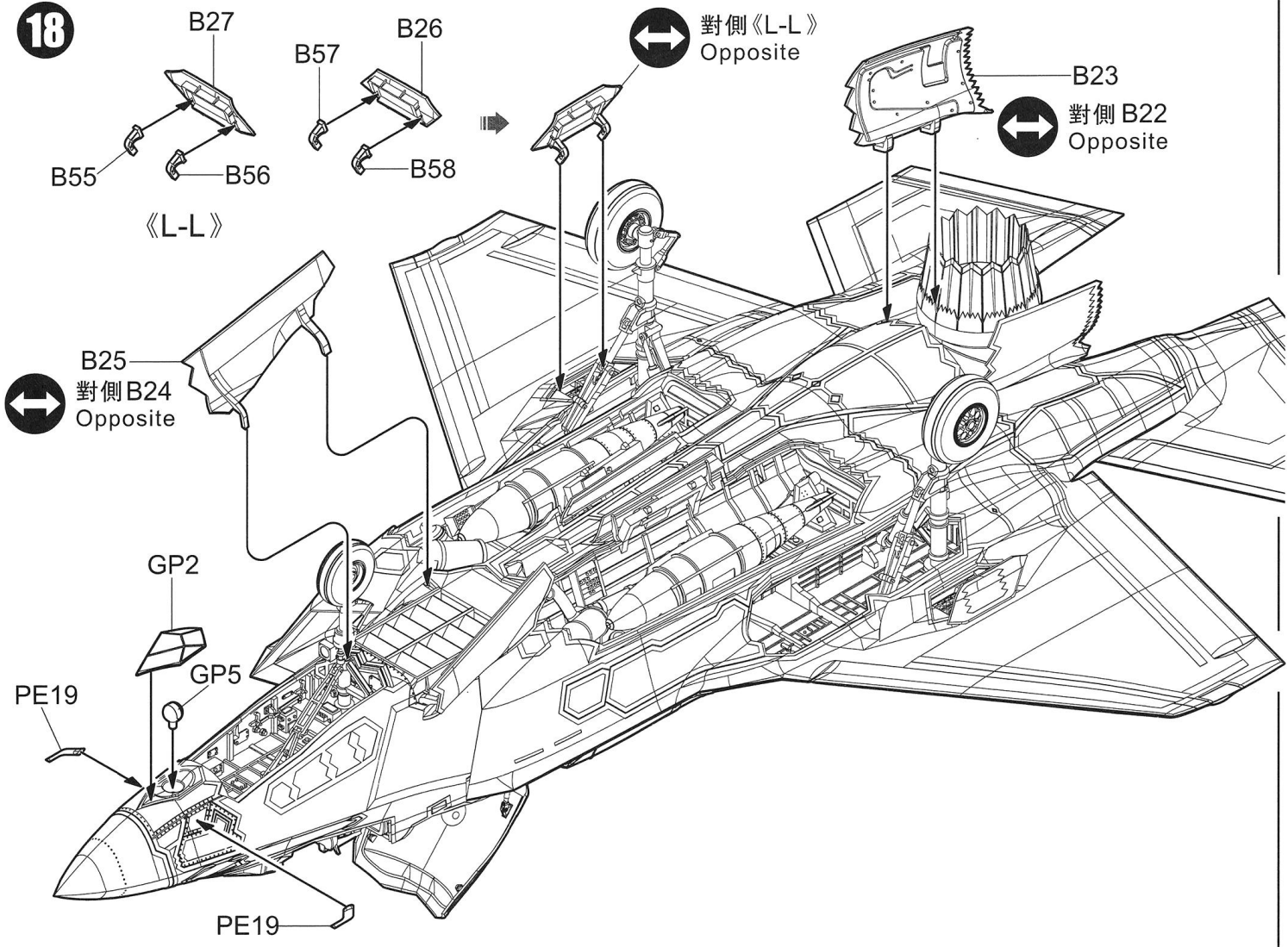




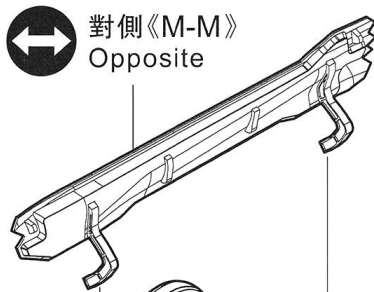
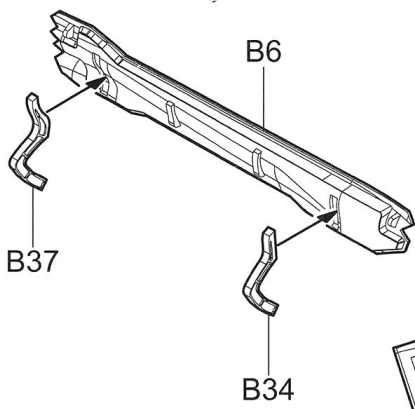
17



18

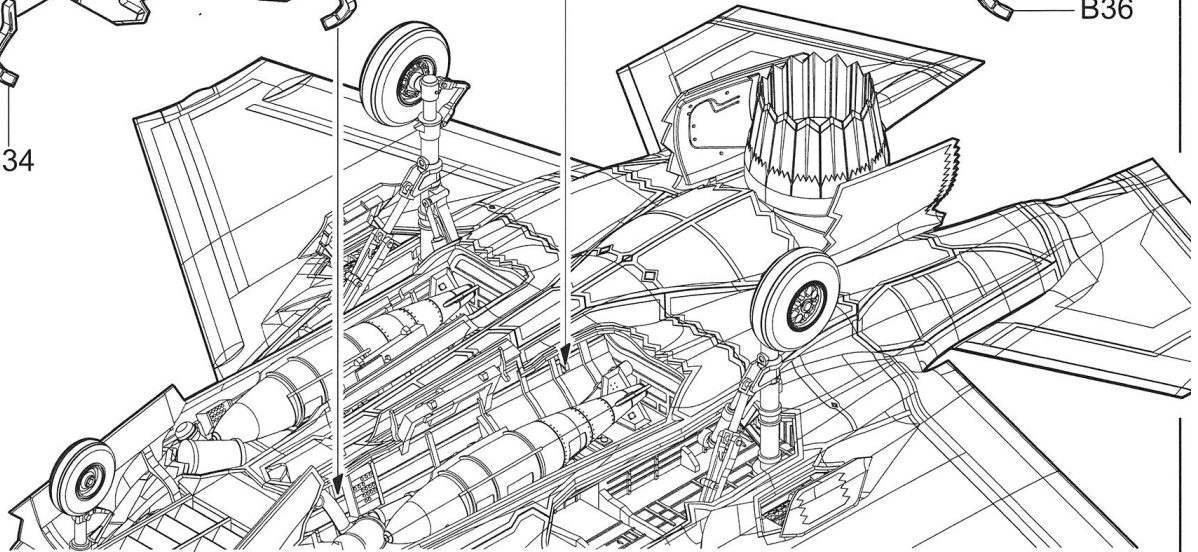


19

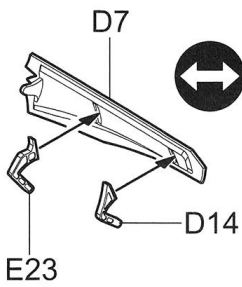


對側《M-M》  
Opposite

《M-M》



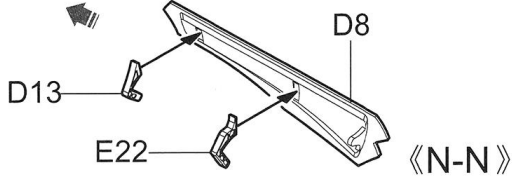
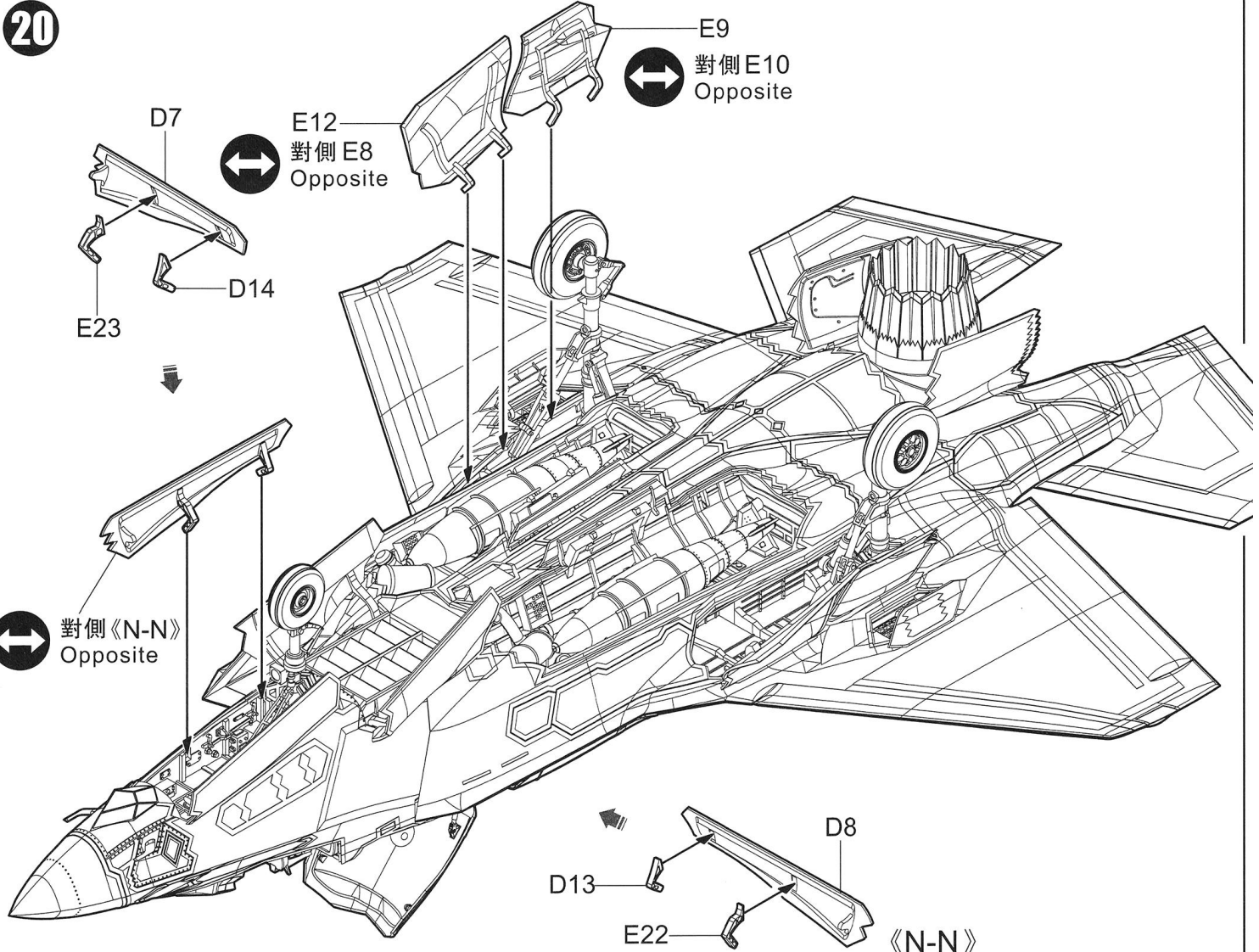
20



對側 E8  
Opposite

對側 E10  
Opposite

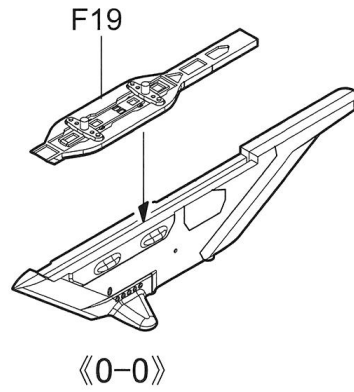
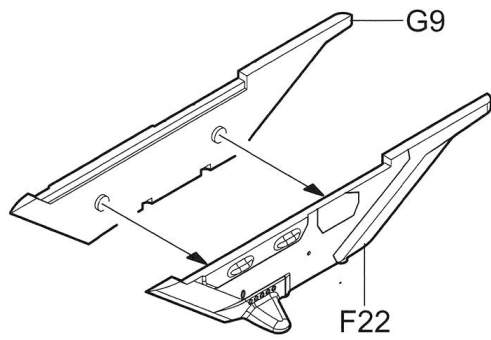
對側《N-N》  
Opposite



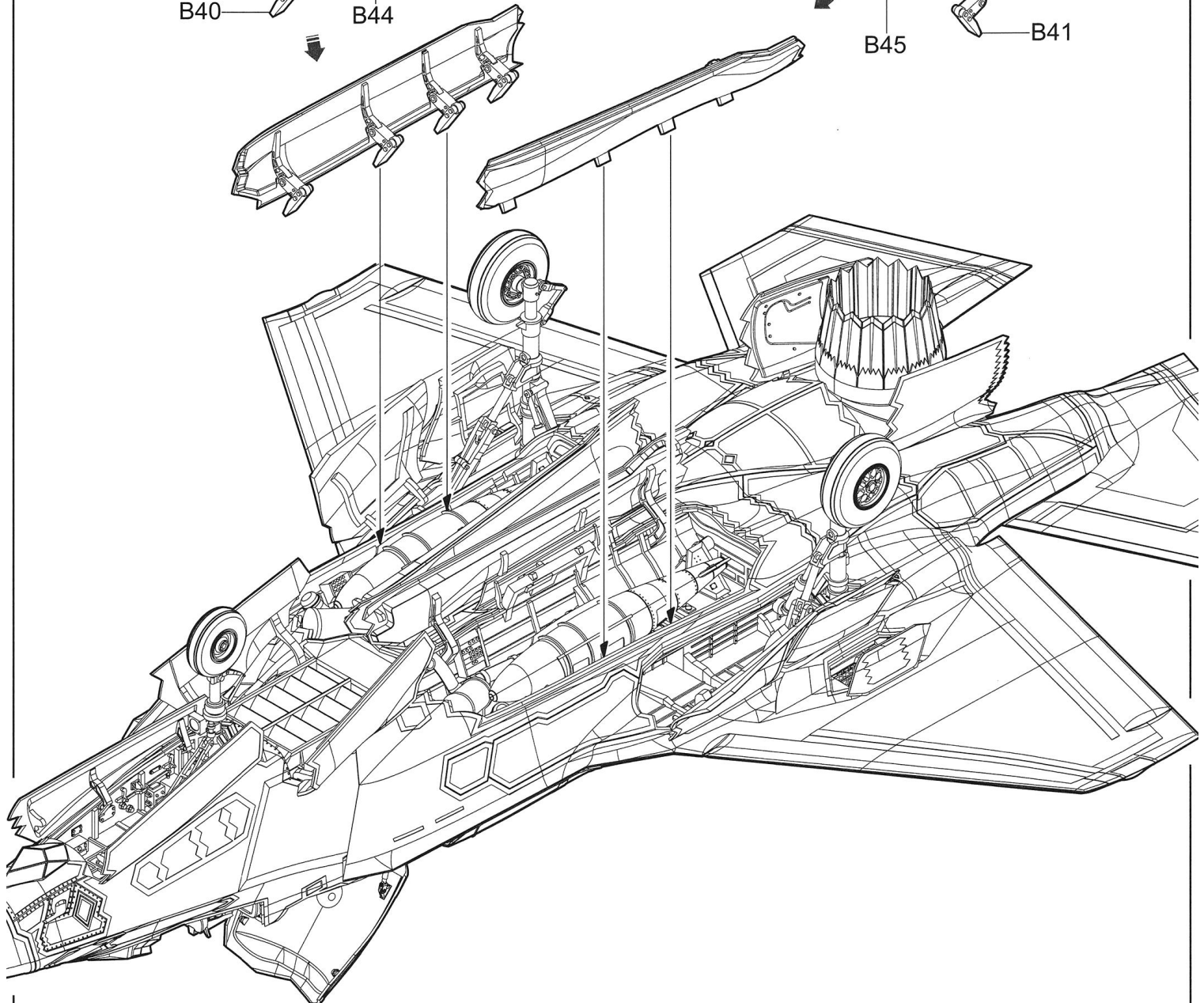
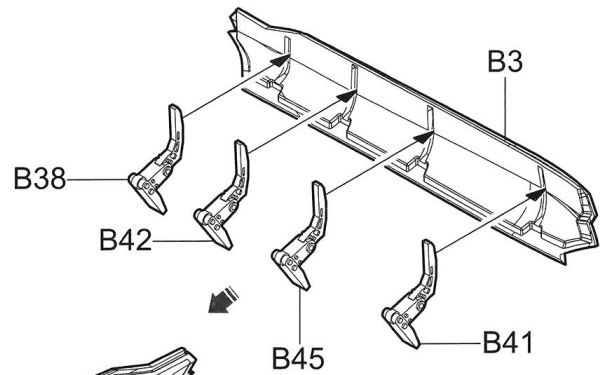
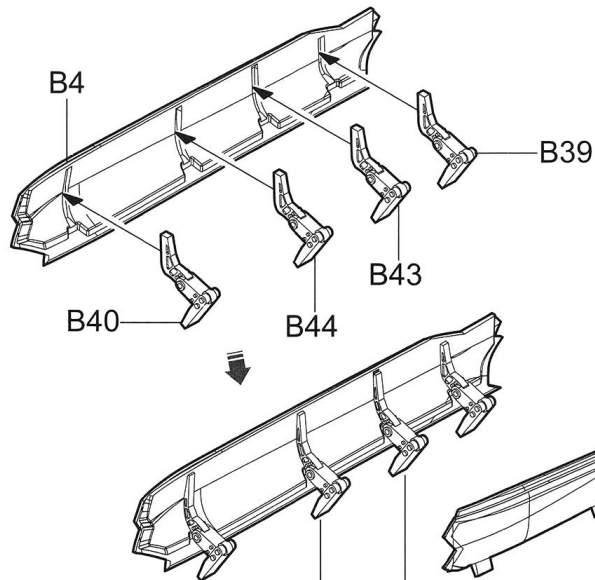
《N-N》



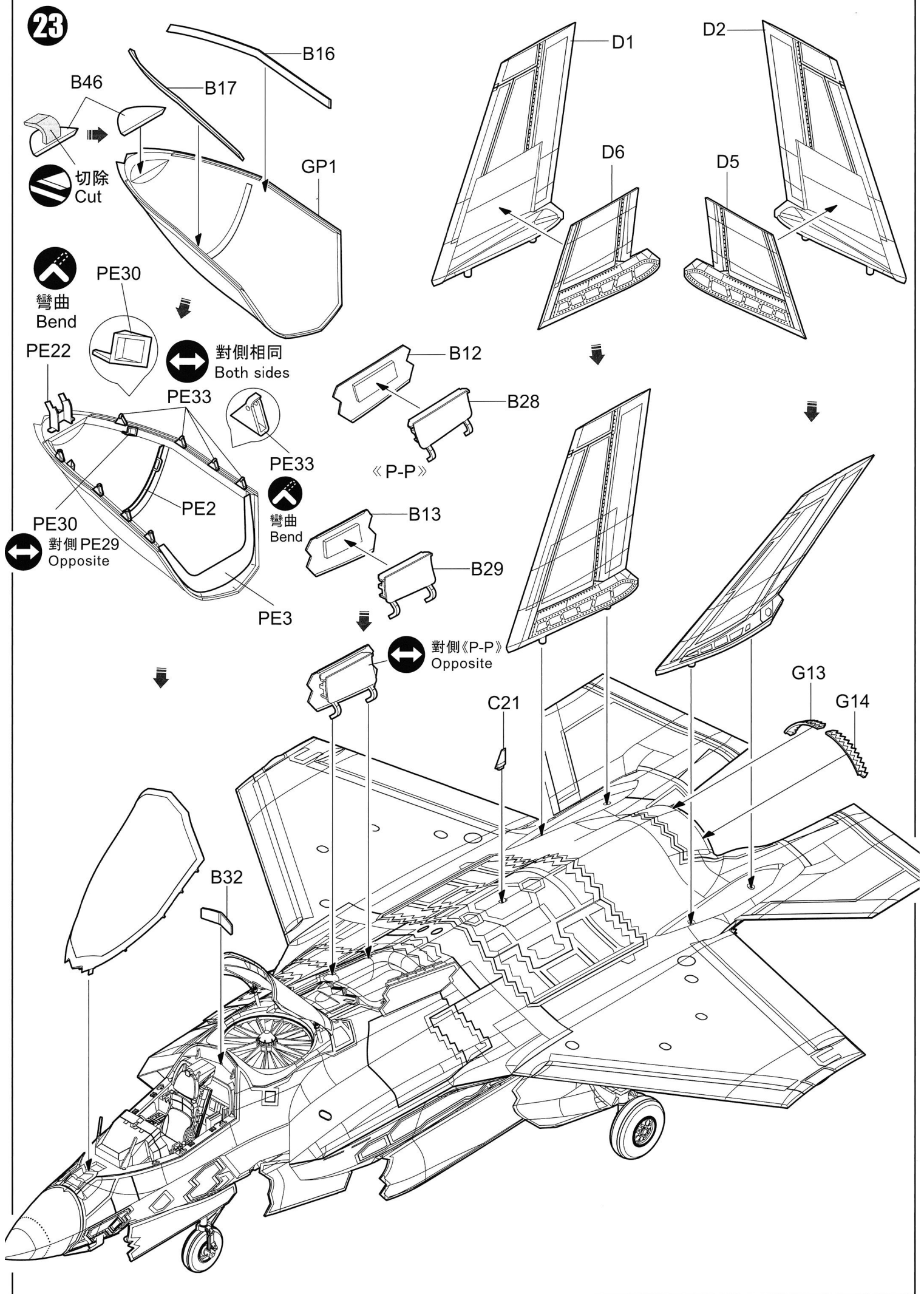
21



22

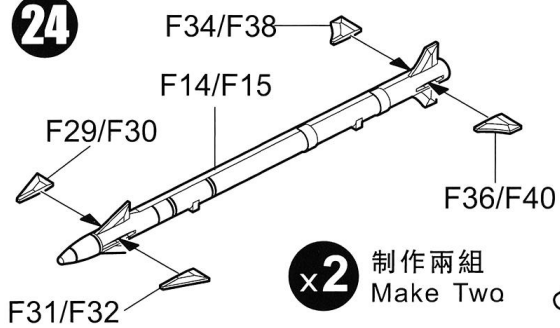


23

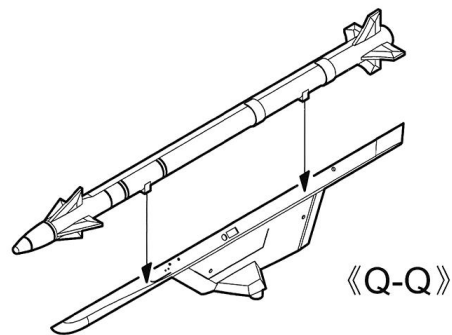
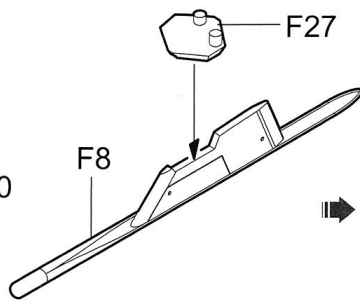




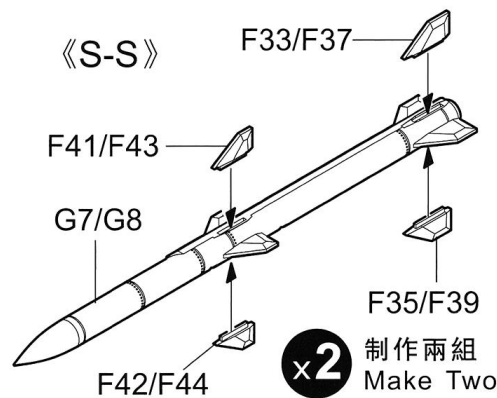
24



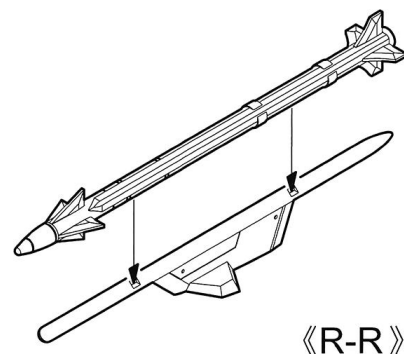
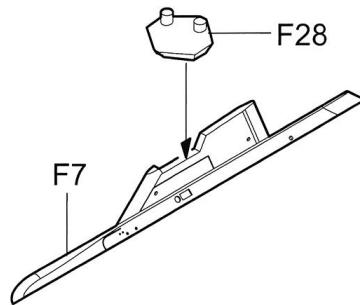
x2 制作兩組  
Make Two



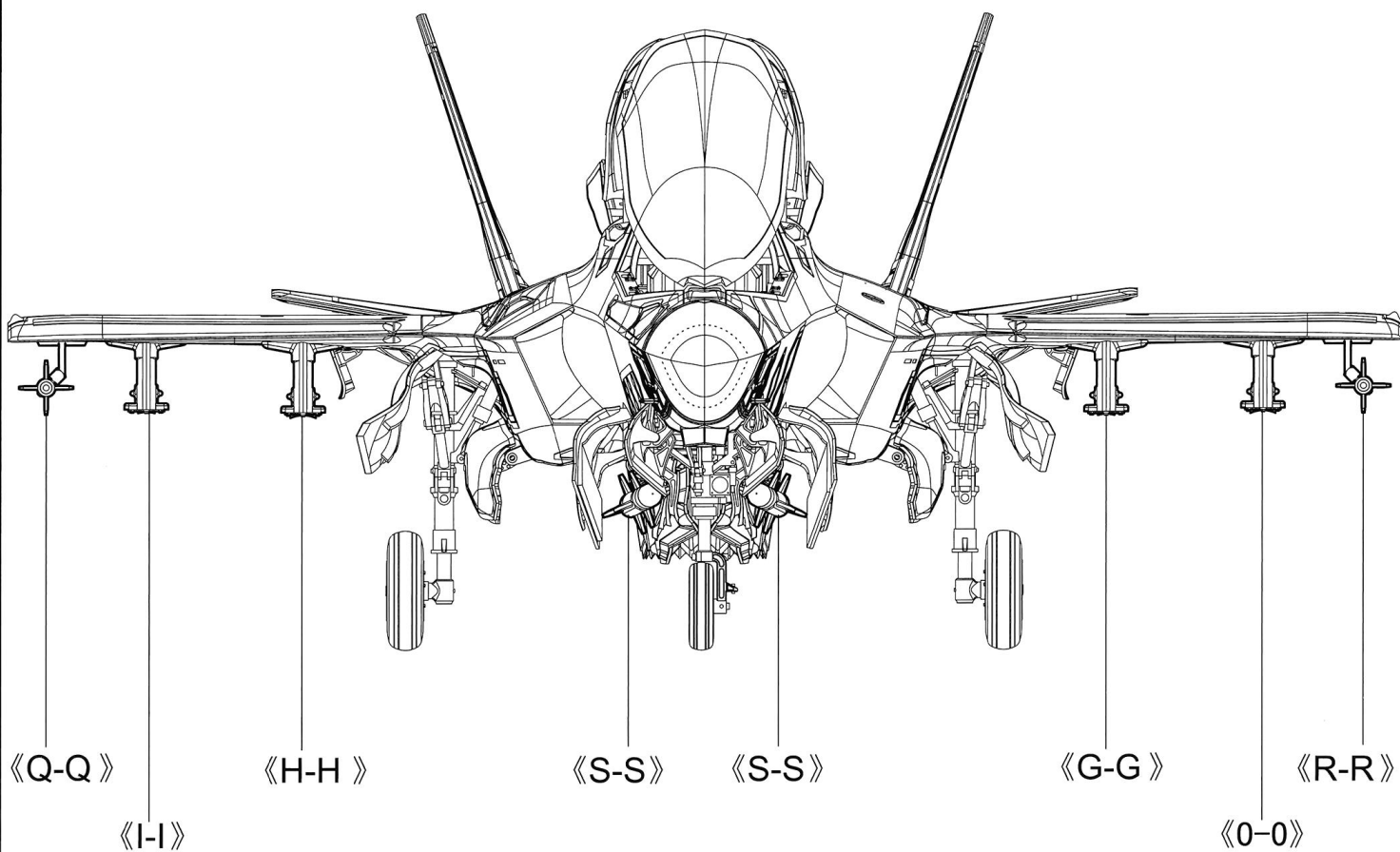
《S-S》



x2 制作兩組  
Make Two

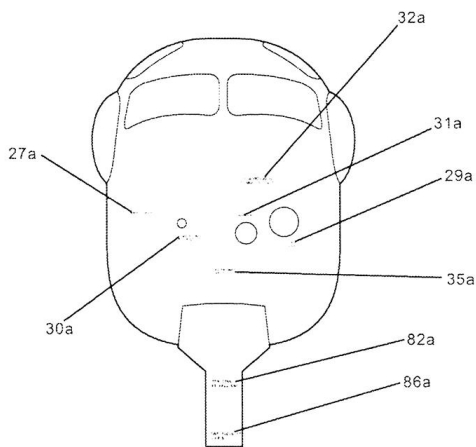


25

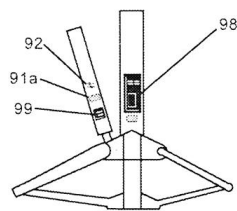


**Common Stencil**

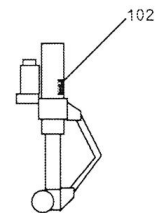
**Nose detail**



**Main landing gear**



**Front landing gear**



27a/29a/30a/31a/32a/35a are for Gray Camouflage.  
For Sea Camouflage, please use 27/29/30/31/32/35.



**PAINT INDEX**

COLOR	AMMO MIG	VALLEJO MODEL COLOR	GSI CREOS MR. COLOR	TAMIYA ENAMEL/ACRYLIC	HUMBROL ENAMEL
SATIN BLACK	A.MIG-032	950	92	X18	-
GUN METAL	A.MIG-045	863	214	X10	-
MATT BLACK	A.MIG-046	950	33	XF1	33
SATIN WHITE	A.MIG-047	-	-	-	-
MATT WHITE	A.MIG-050	951	62	XF2	130
BLUE	A.MIG-086	963	-	-	-
FS 36320 DARK COMPASS GHOST GRAY	A.MIG-208	71.120	307	-	-
FS 36375 LIGHT COMPASS GHOST GRAY	A.MIG-213	990	308	-	-
FS 36622 GRAY	A.MIG-226	71.121	311	-	-
FS 25042 SEA BLUE (ANA 606)	A.MIG-227	-	-	-	-

For Color Profile, please go to [www.kineticmodel.com](http://www.kineticmodel.com) for download  
(type the kit# and go for manual/painting guide)