

M142 High Mobility Artillery Rocket System (HIMARS)

美国M142高机动火箭炮系统(HIMARS)

READ BEFORE ASSEMBLY:

- Study and understand these instructions thoroughly before beginning assembly
- When needed, remove photo-etch parts carefully using a modeling knife or photo etch sprue cutter, being careful not to damage or lose small parts.
- Take extra care in handling photo etch parts in order to avoid injury
- Apply instant cement sparingly to photo etch parts where instructed
- Tools recommended(not included in kit):Plastic and instant cements, sprue cutters,long nose pliers,modeling knife, small files, tweezers, pin vise & scissors. Soft cloth and sandpaper will also assist in construction
- Glue and paint are not included in the kit. Use plastic cement and hobby paints only. Color guide for purchasing paint is included in the kit.

装配之前仔细阅读

- 小心用模型锉刀锉平所有零件表面的注射浇口。
- 小心用刀片切下蚀刻片零件，不要遗失小零件。
- 用强力快干胶水粘合蚀刻片零件和金属轴。过量快干胶水使用可能导致可动零件会粘住，小心涂胶。
- 取蚀刻片时应特别注意安全，防止利边划伤手指。
- 某些零件表面需贴水上贴纸，请选择在装配的同时进行。
- 推荐模型工具(自备)：胶水，水口剪刀，长咀钳，刀片，锉刀，镊子，钳，钻，剪刀，瞬间快干胶。
- 软布同砂纸同时也应该是必备工具。
- 请使用塑料胶水和油漆，模型内不含。



配重
Weight



使用强力胶
Cyanoacrylate glue



钻孔
Make hole



切除
Cut / Remove



贴纸
Decal



锉平
File / Sand



选择
Option



不涂胶水
No cement



弯曲
Bend



先装
Install it first

水贴纸的使用:

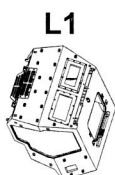
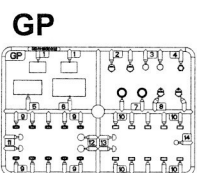
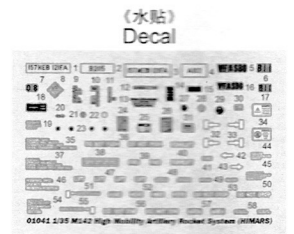
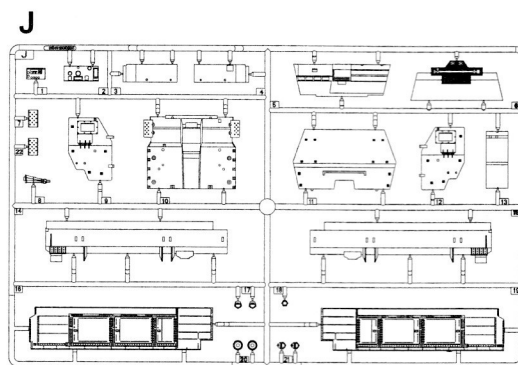
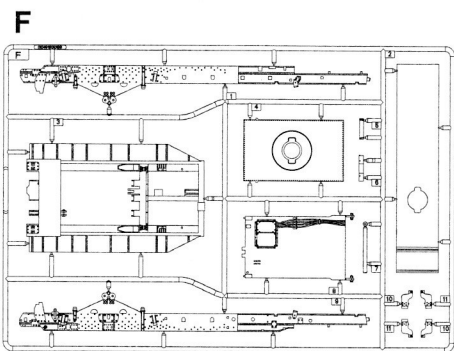
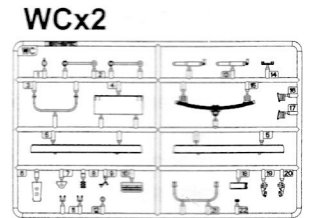
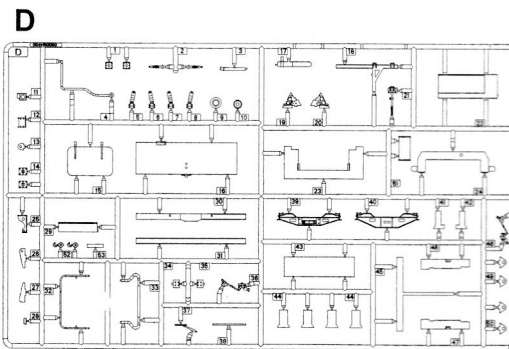
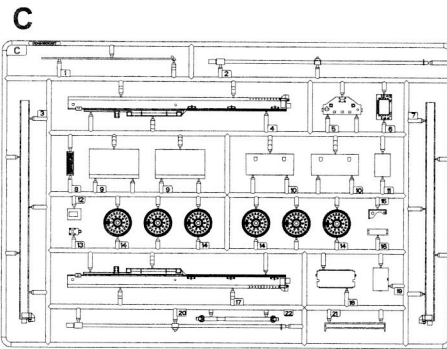
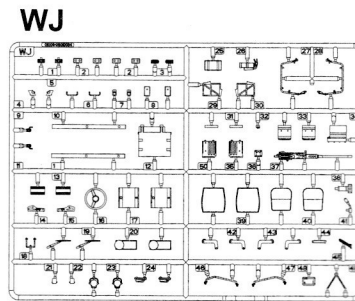
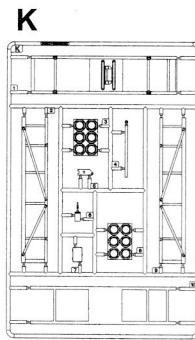
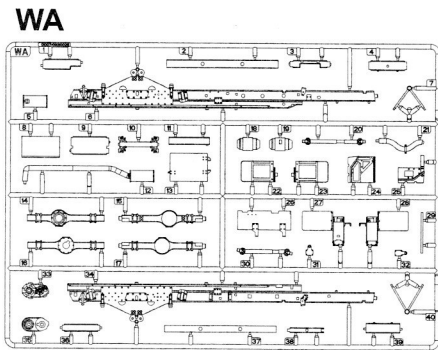
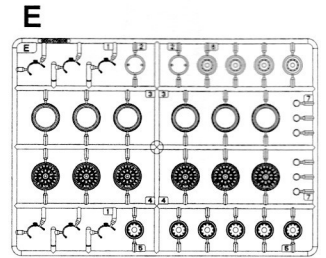
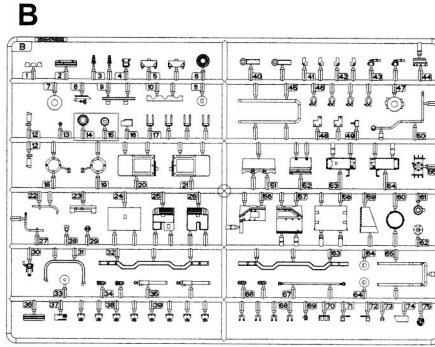
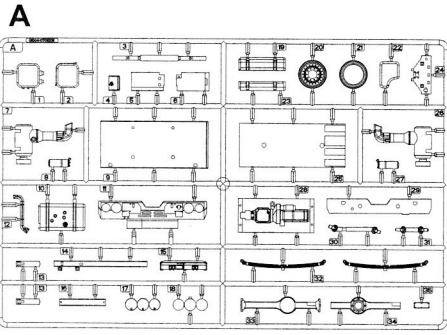
- 1.从水贴上剪下印花;
- 2.将印花放入温水中浸10秒, 然后放在干净布上。
- 3.拿着印花纸板将印花移到模型上;
- 4.手指蘸水将印花移到适当的位置;
- 5.用软布轻压印花直至水干, 汽泡消失

DECAL APPLICATION

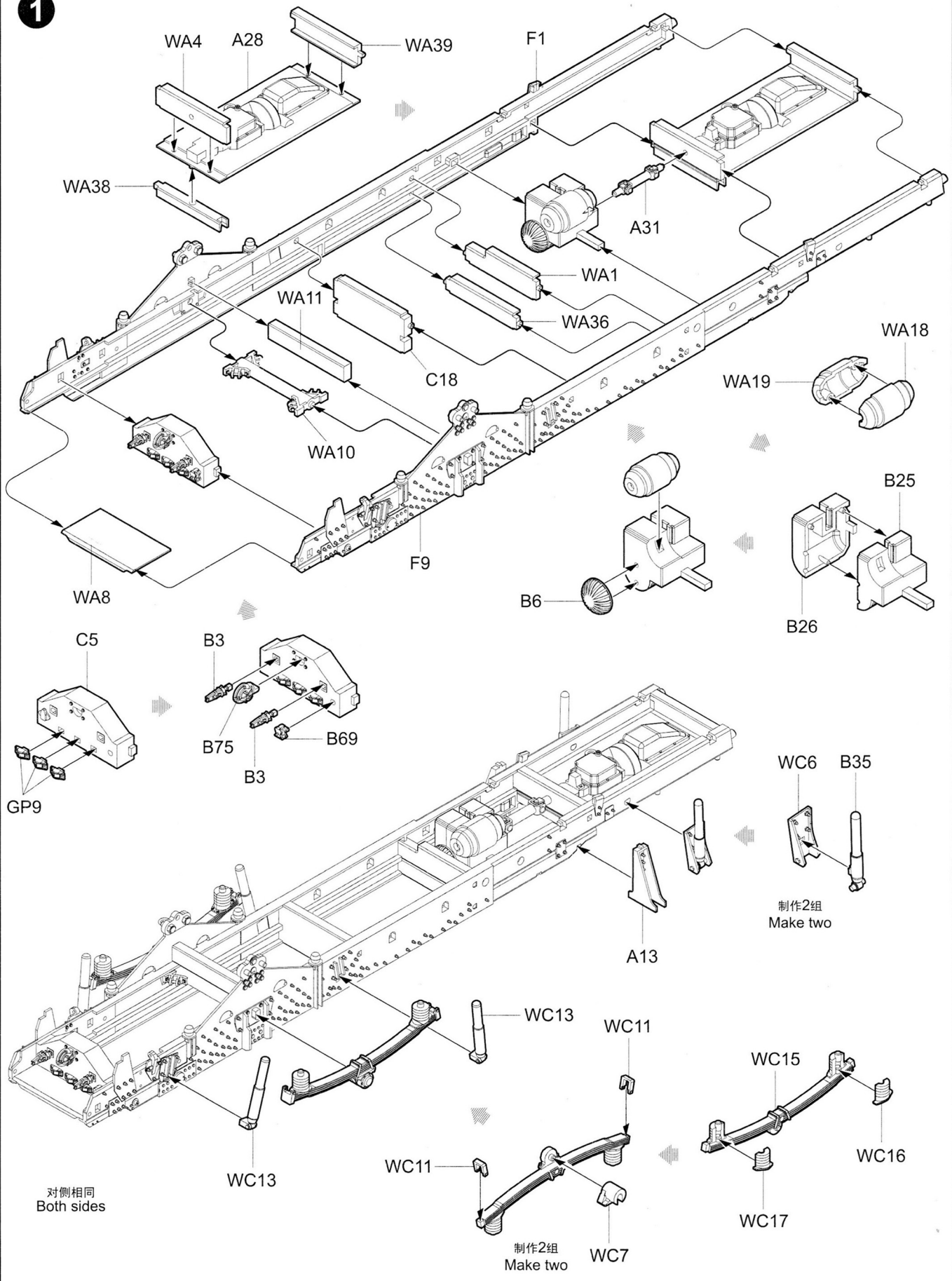
- 1.Cut decals from sheet as needed
- 2.Dip the decal in warm water for about 10 seconds and then place on soft clean cloth.
- 3.Hold the decal backing sheet edge and gently slide the decal onto the model in its proper position.

- 4.While still wet,decal can be adjusted for better fit on model by dampening it gently with your finger.
- 5.When placed in the proper position,gently press decal down with a soft cloth until excess water and air bubbles are gone.
- 6.Allow decal to dry completely before handling model

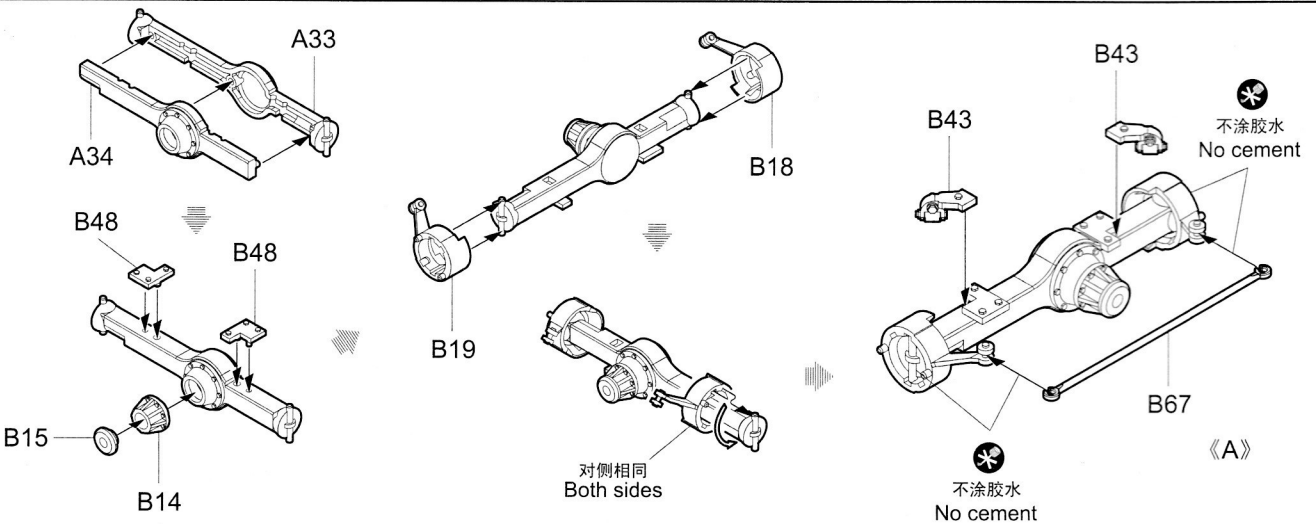
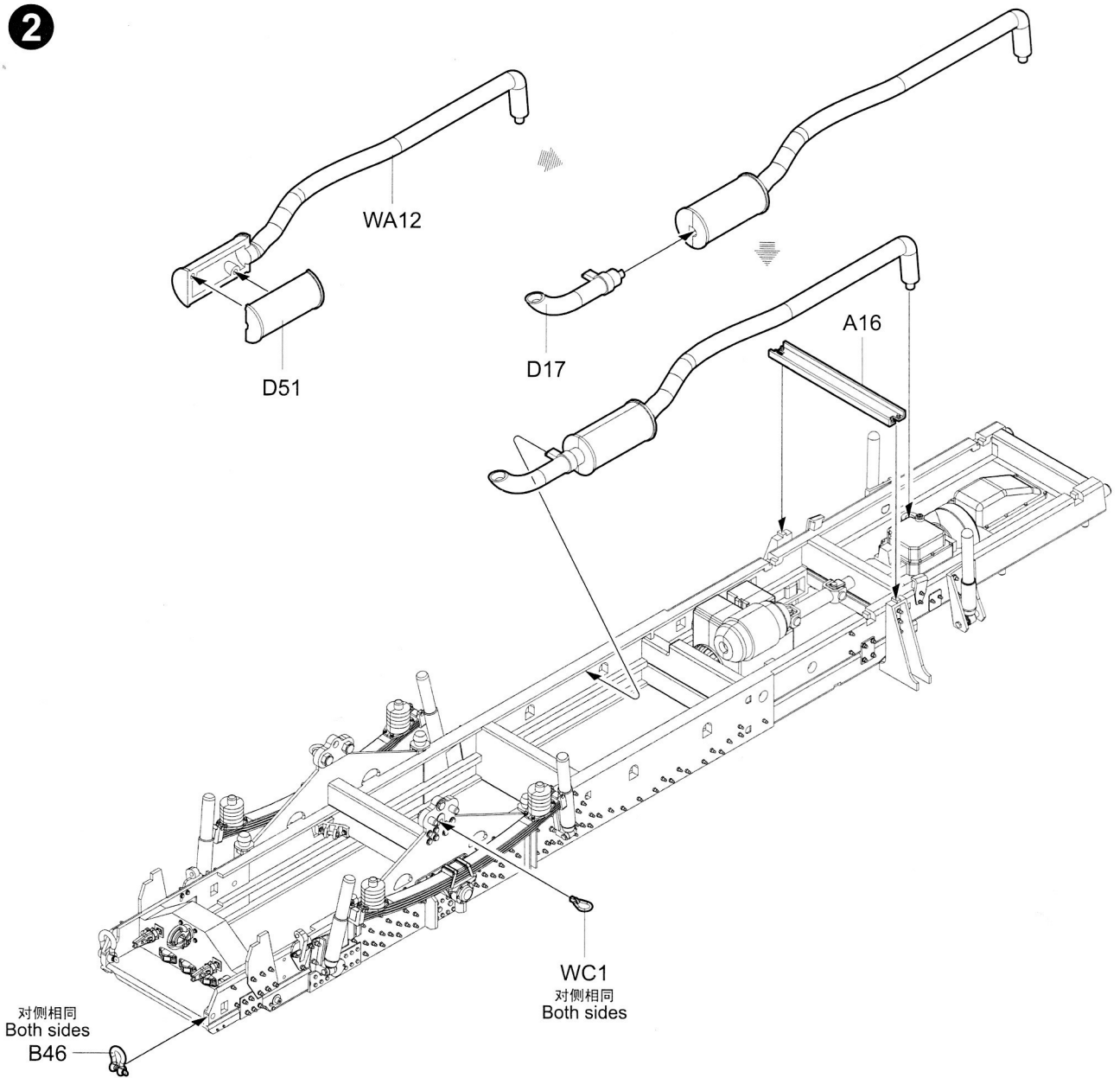
部品图 Parts



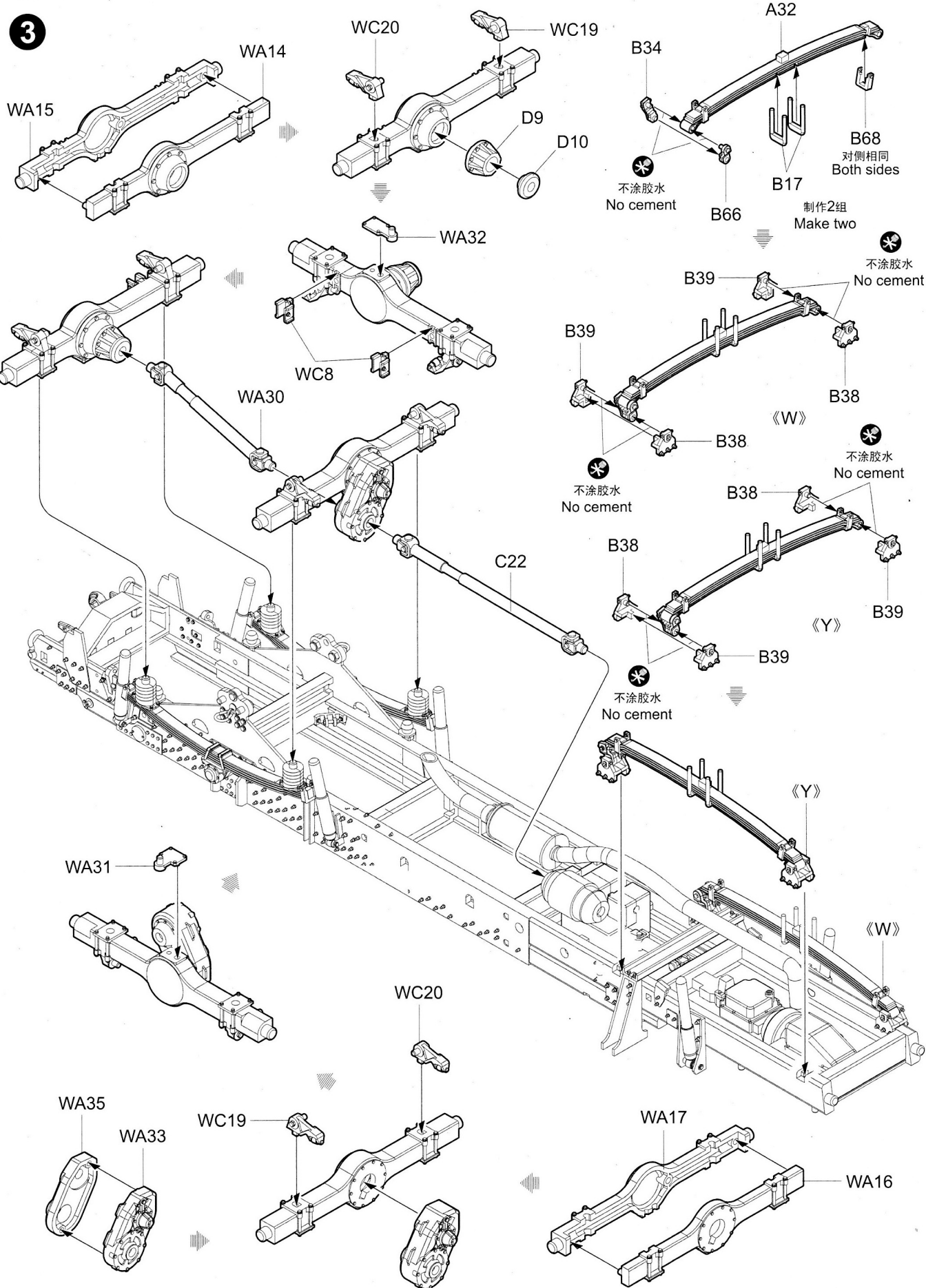
1



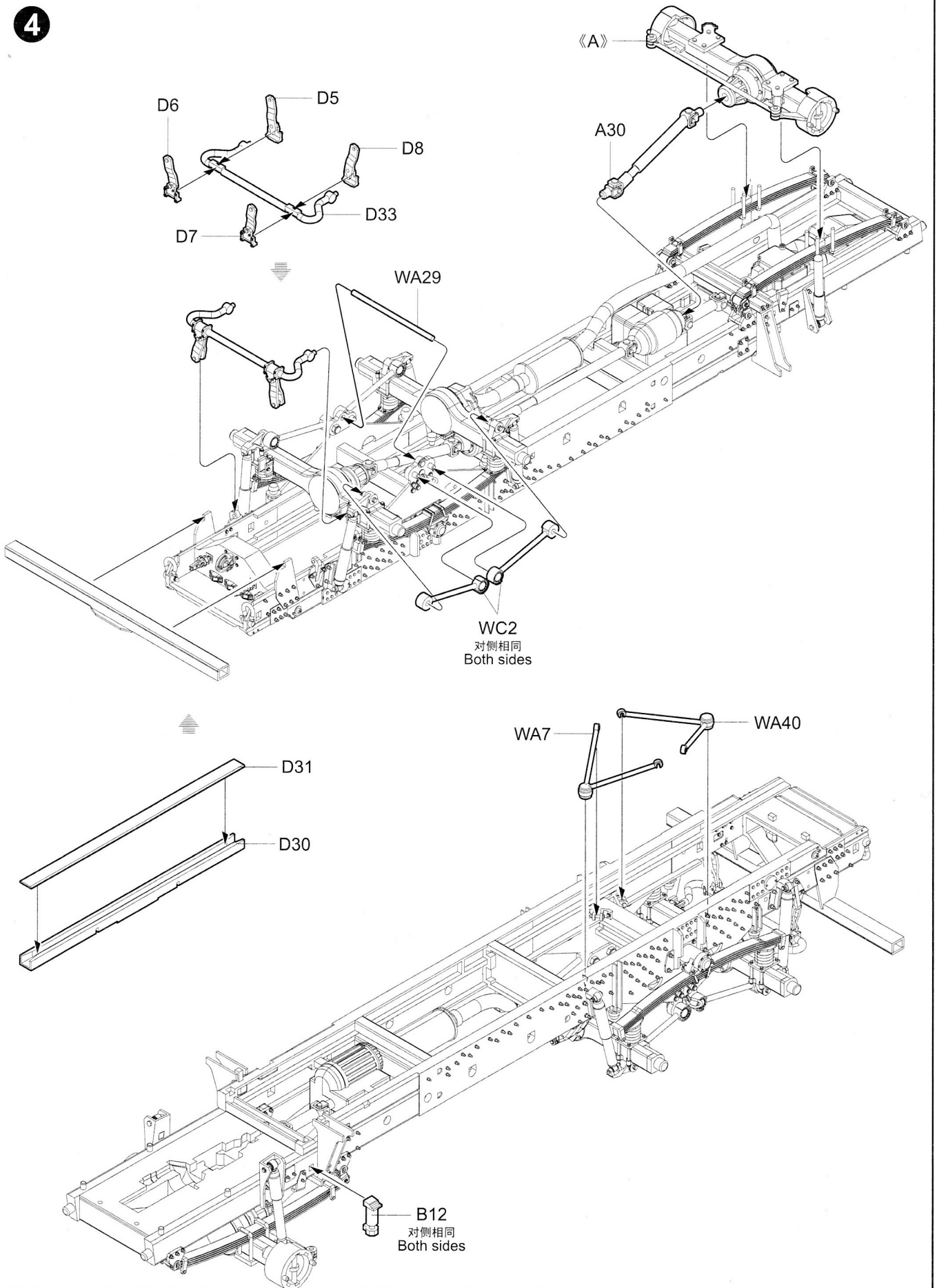
2



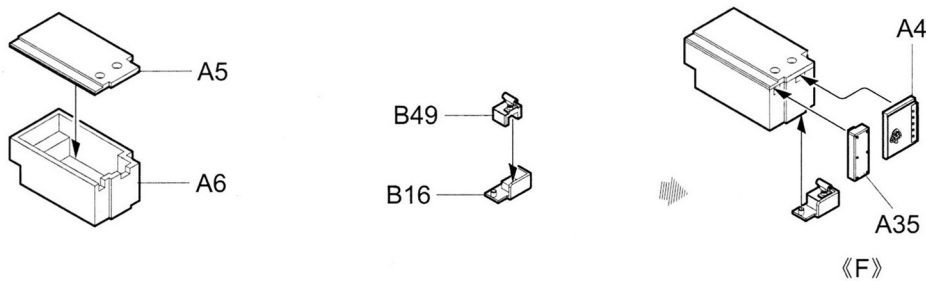
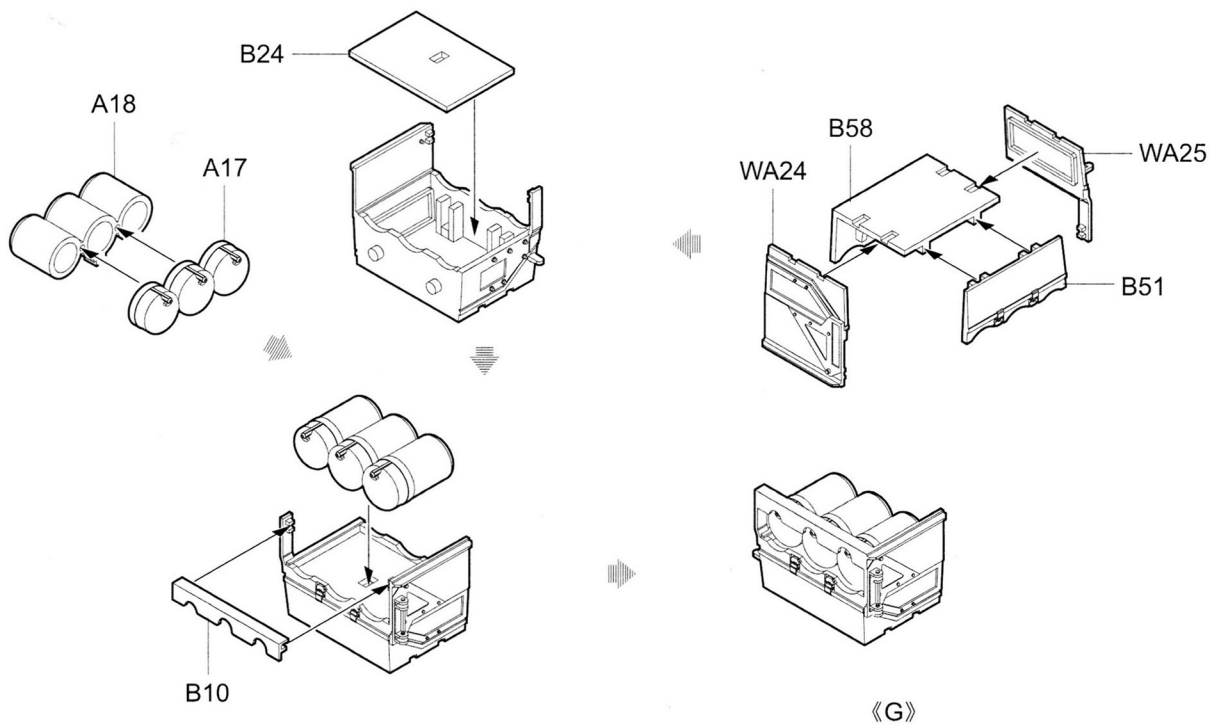
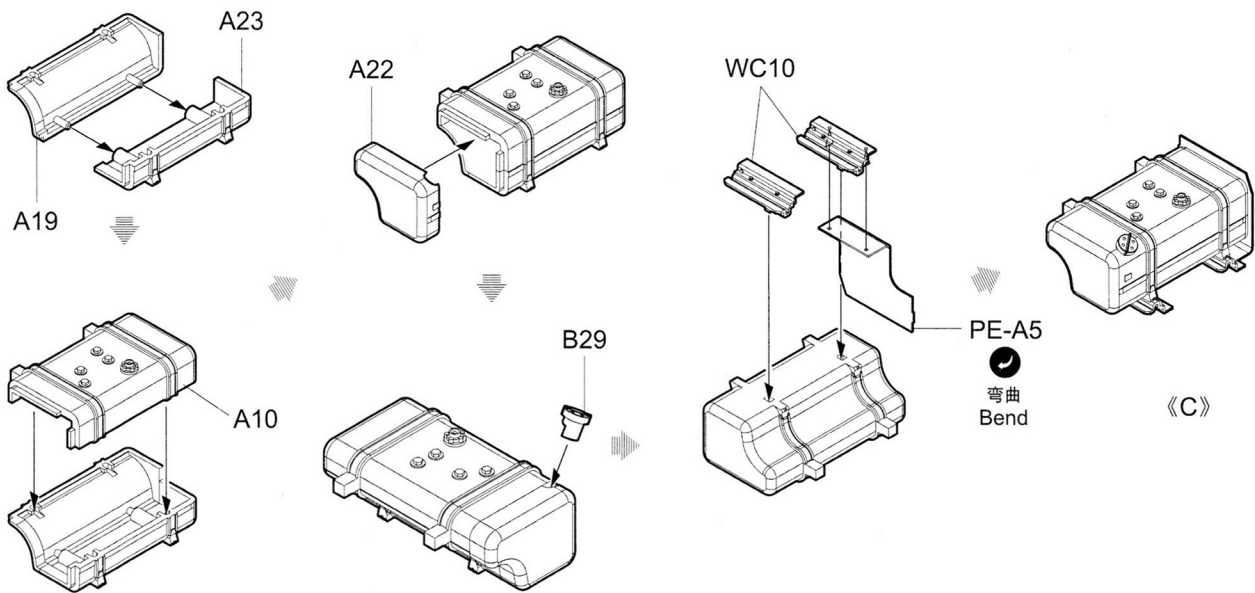
3



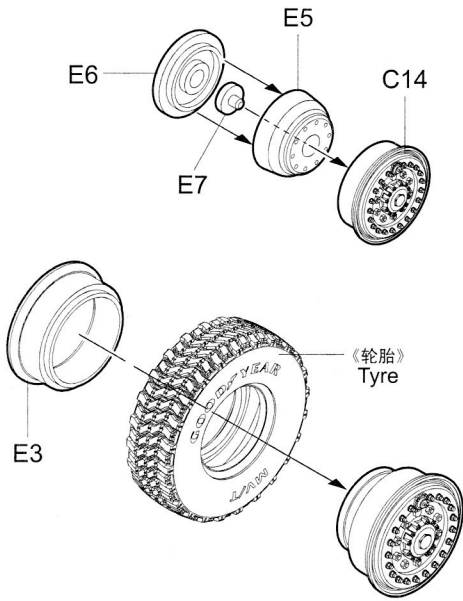
4



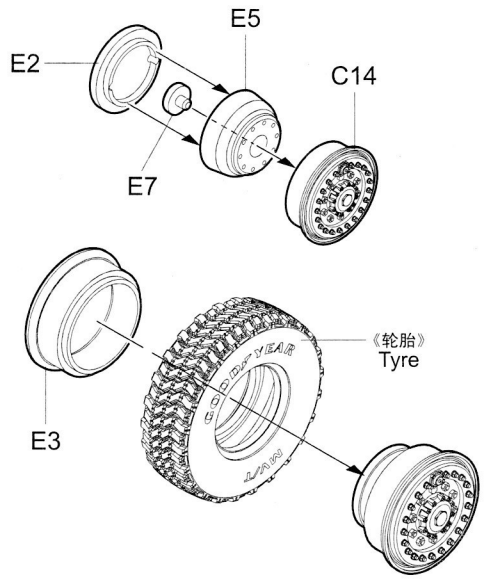
5



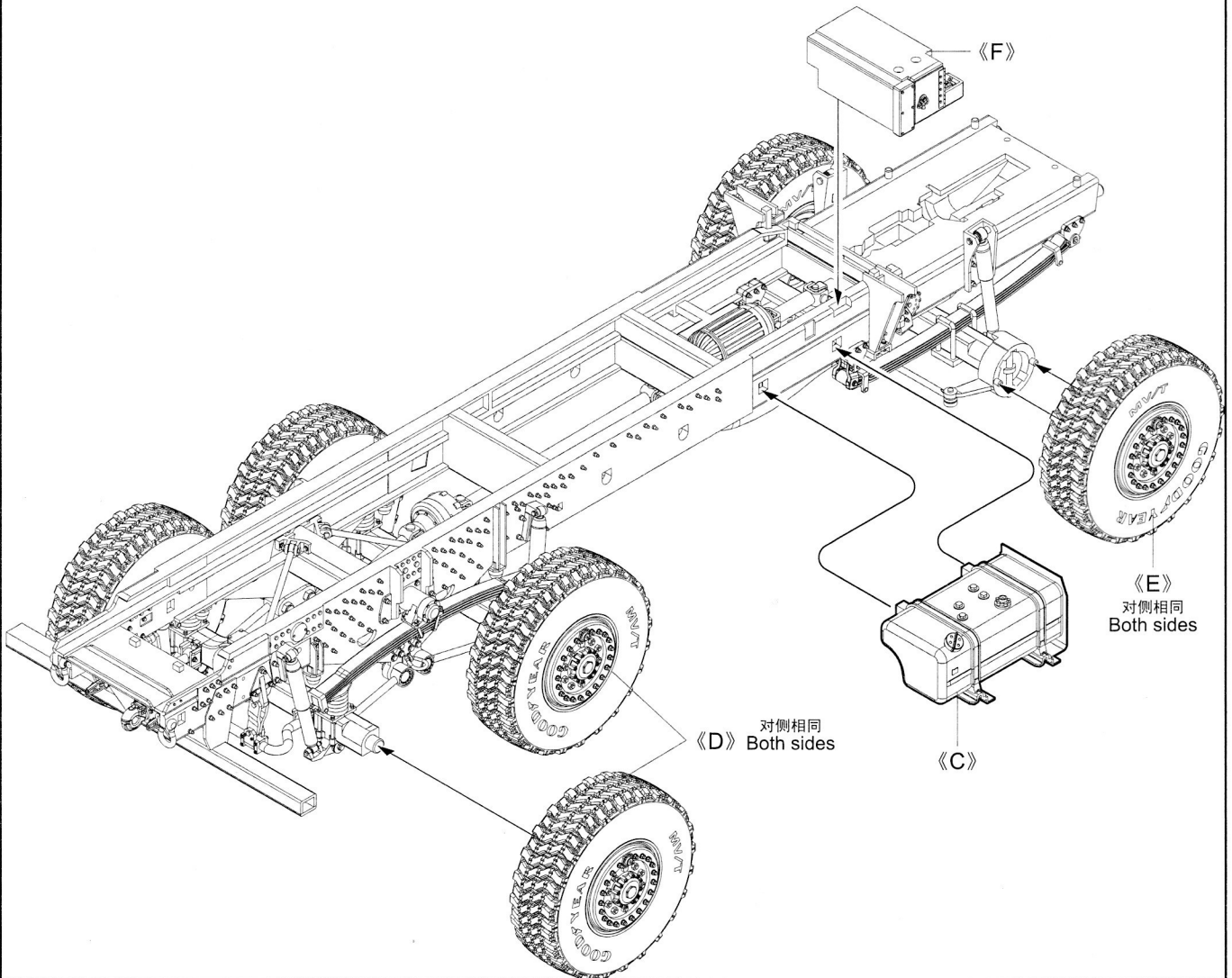
6



《D》 制作4组
Make four



《E》 制作2组
Make two

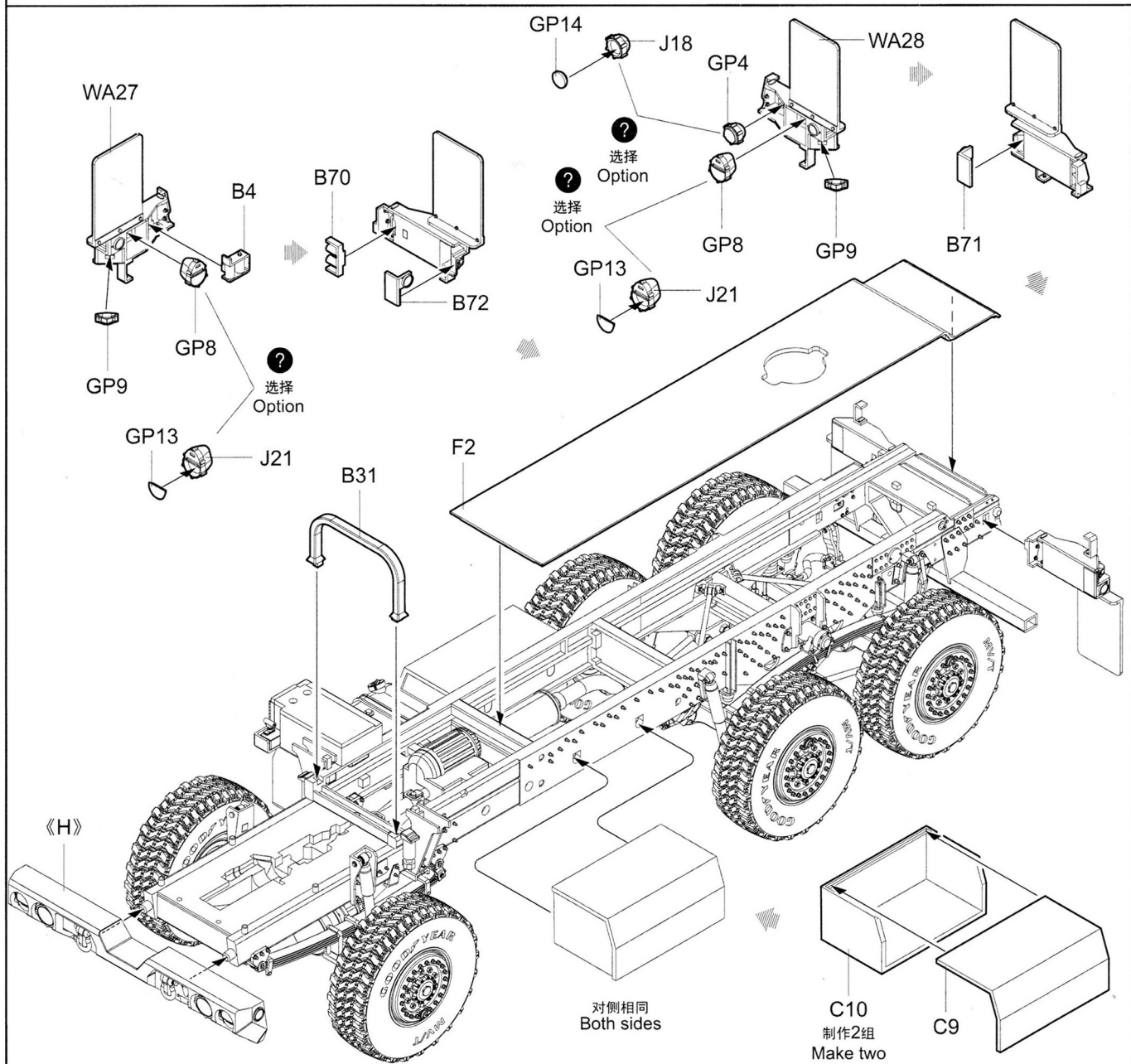
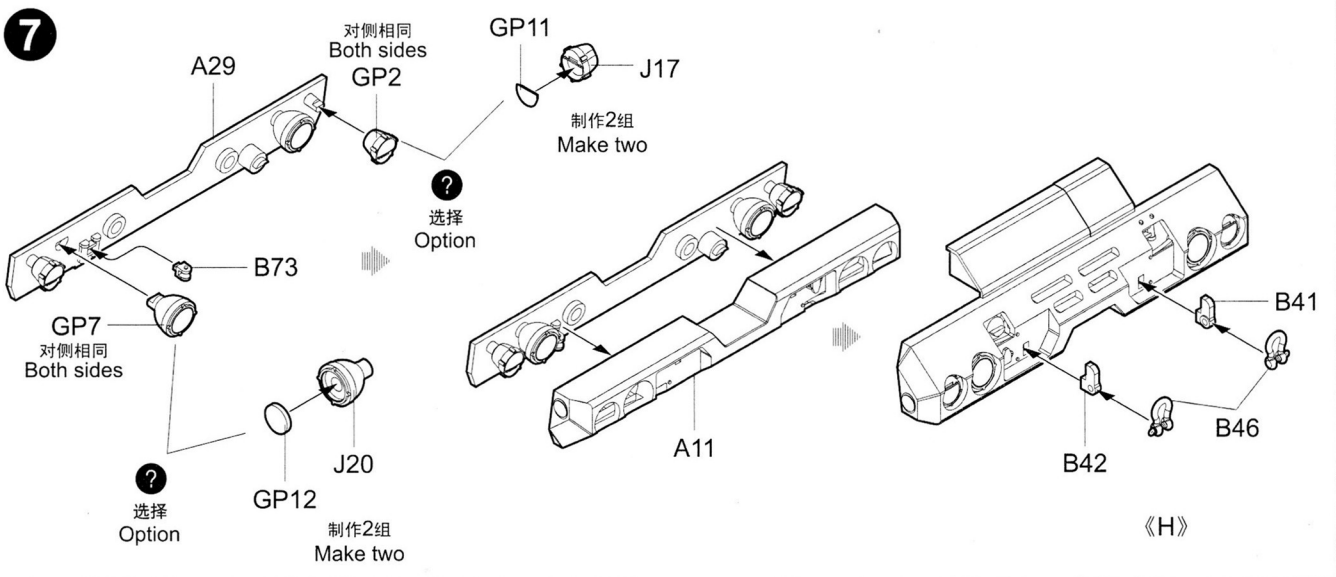


《D》 对侧相同
Both sides

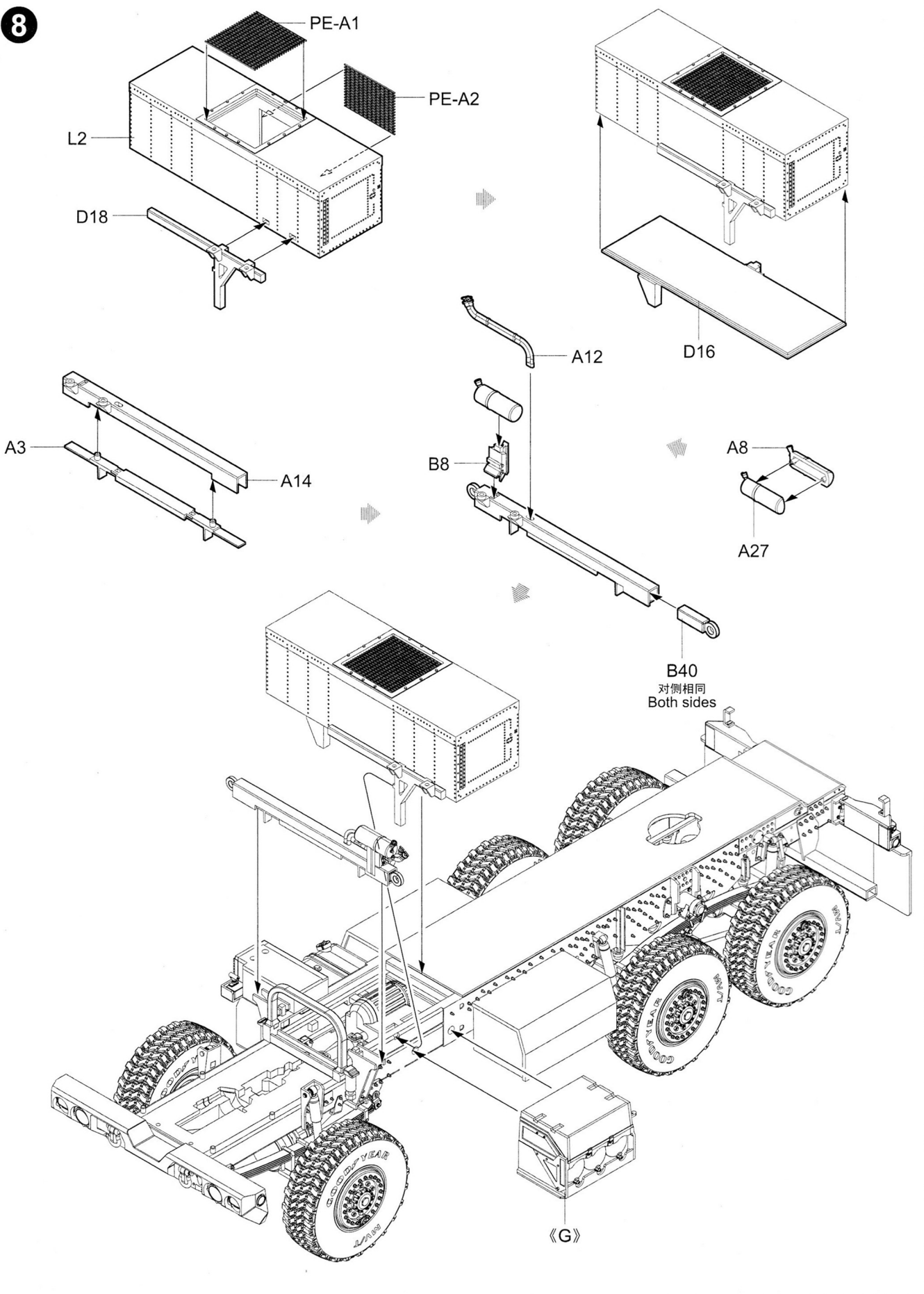
《E》 对侧相同
Both sides

《C》

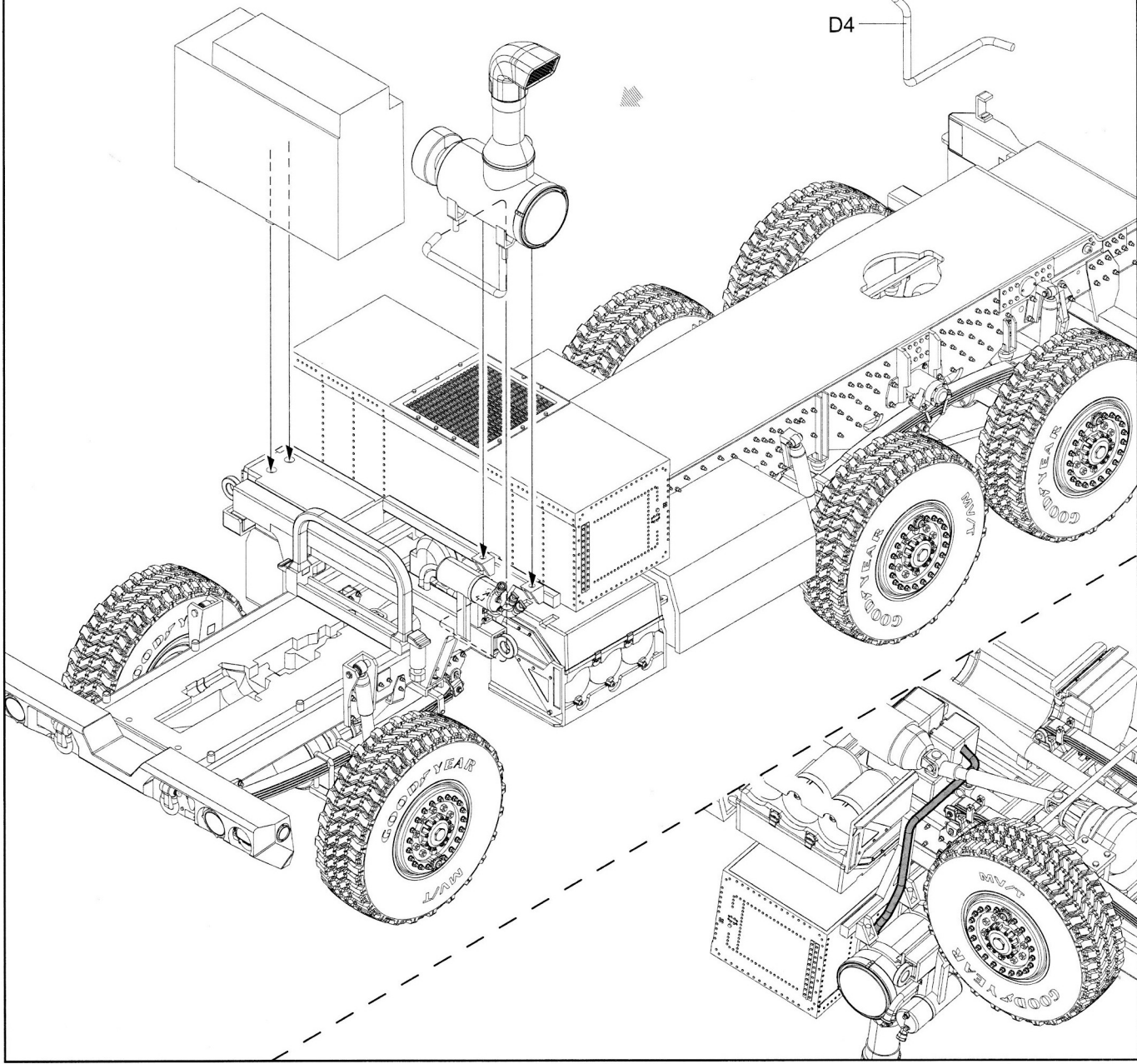
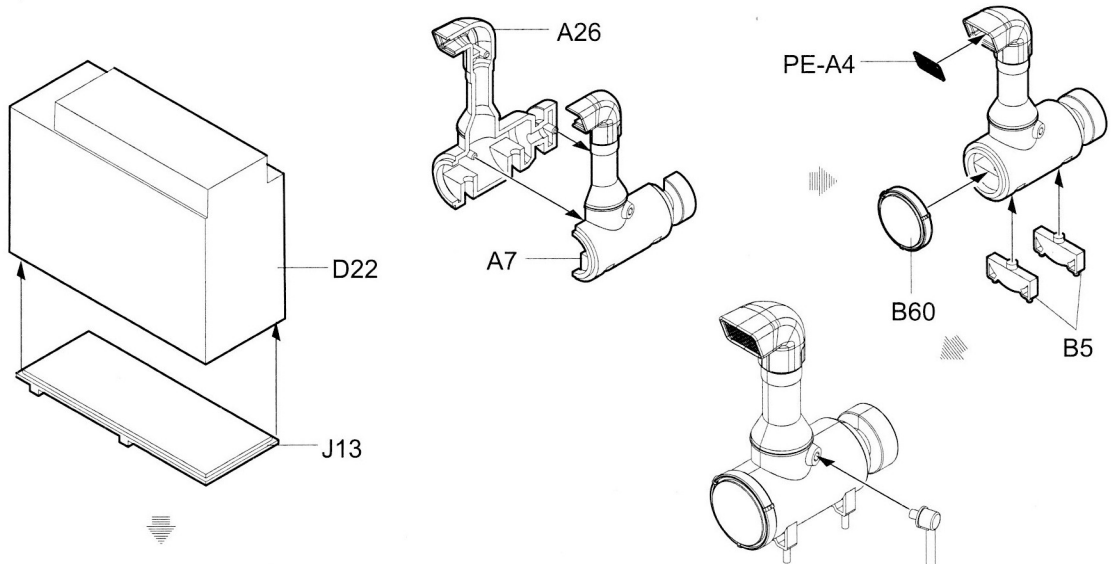
《F》



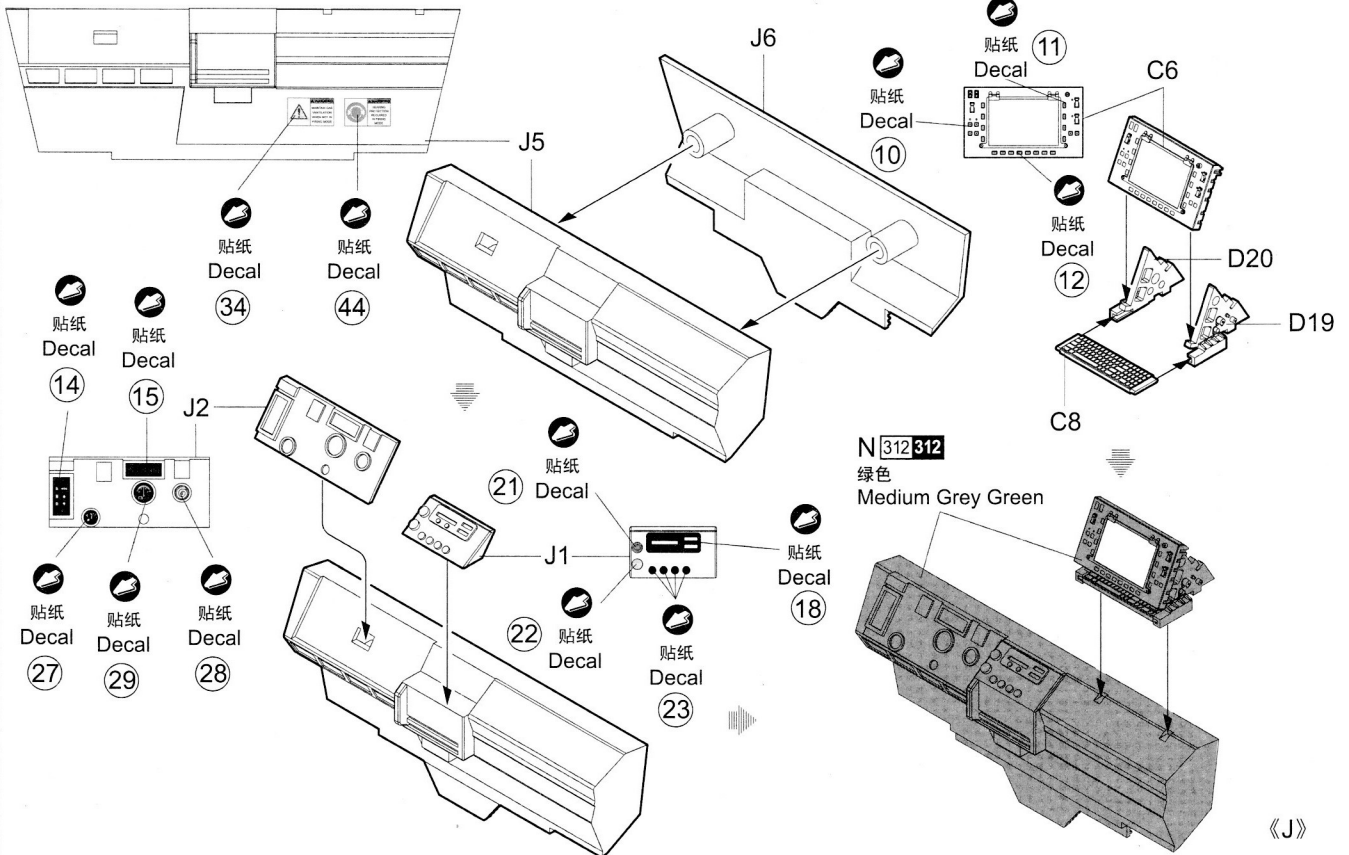
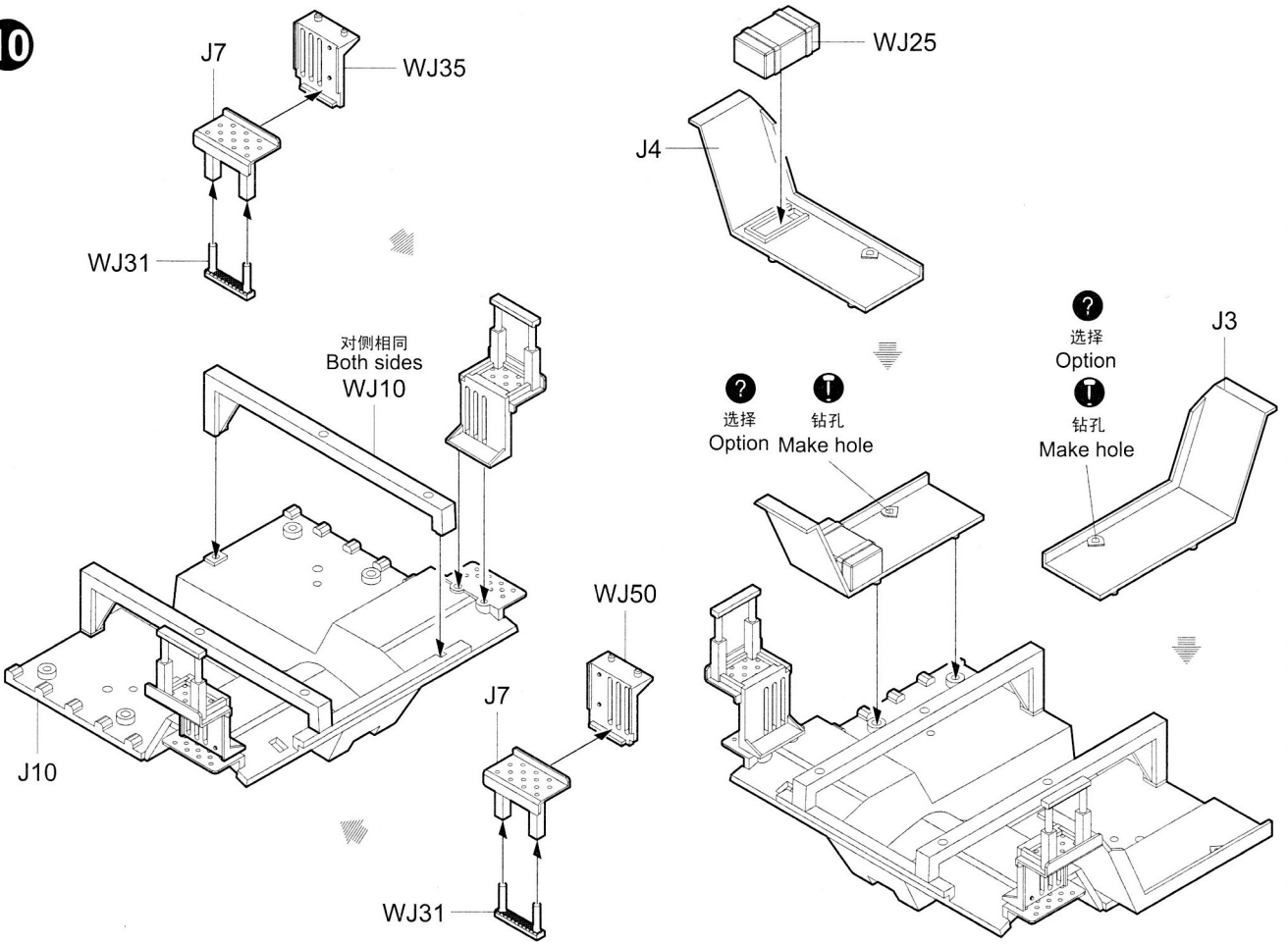
8



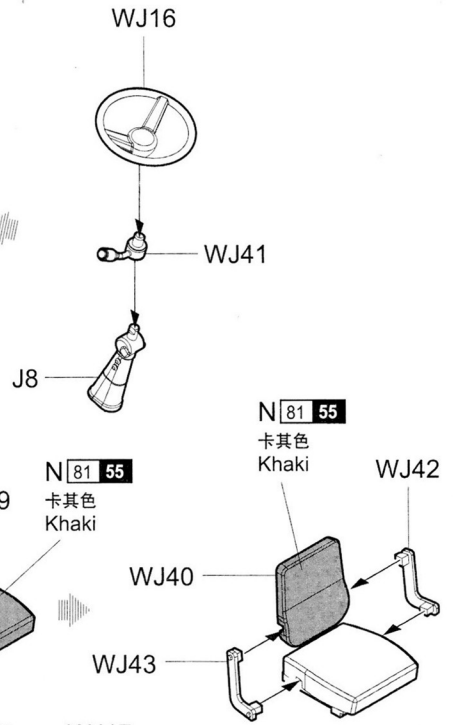
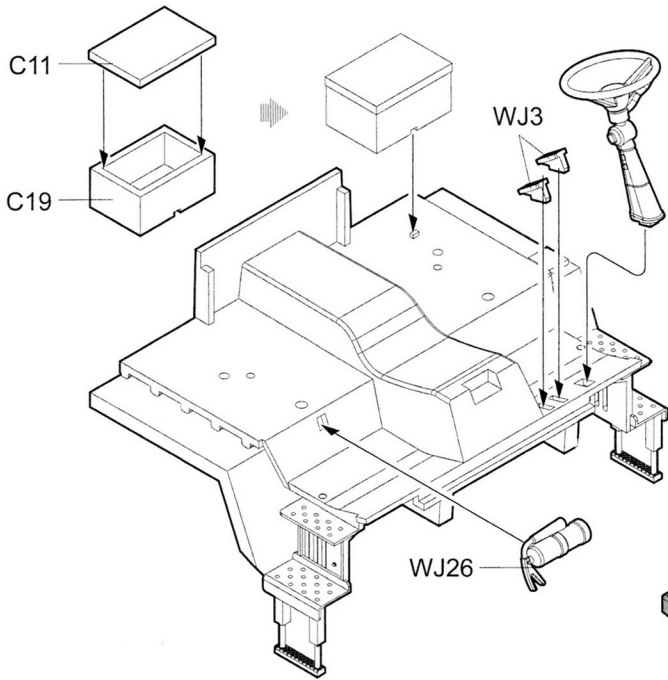
9



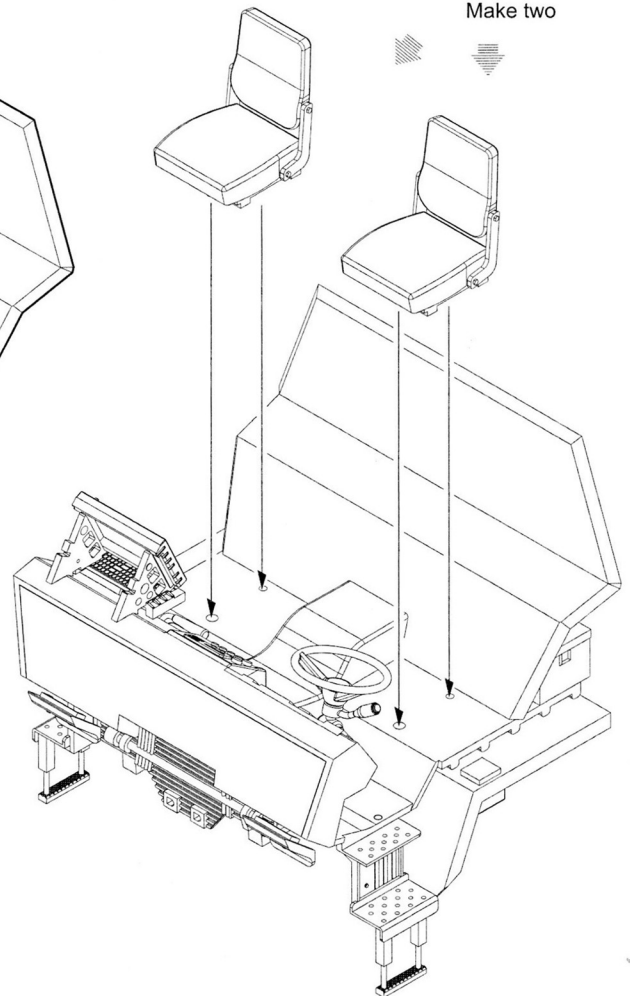
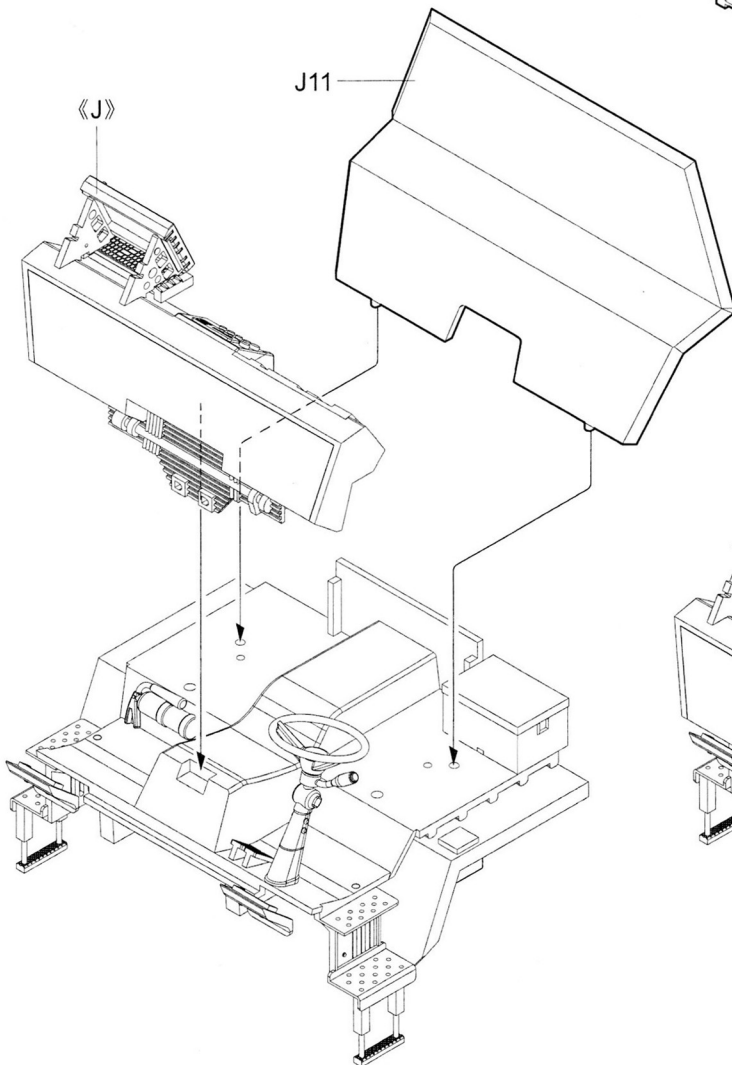
10



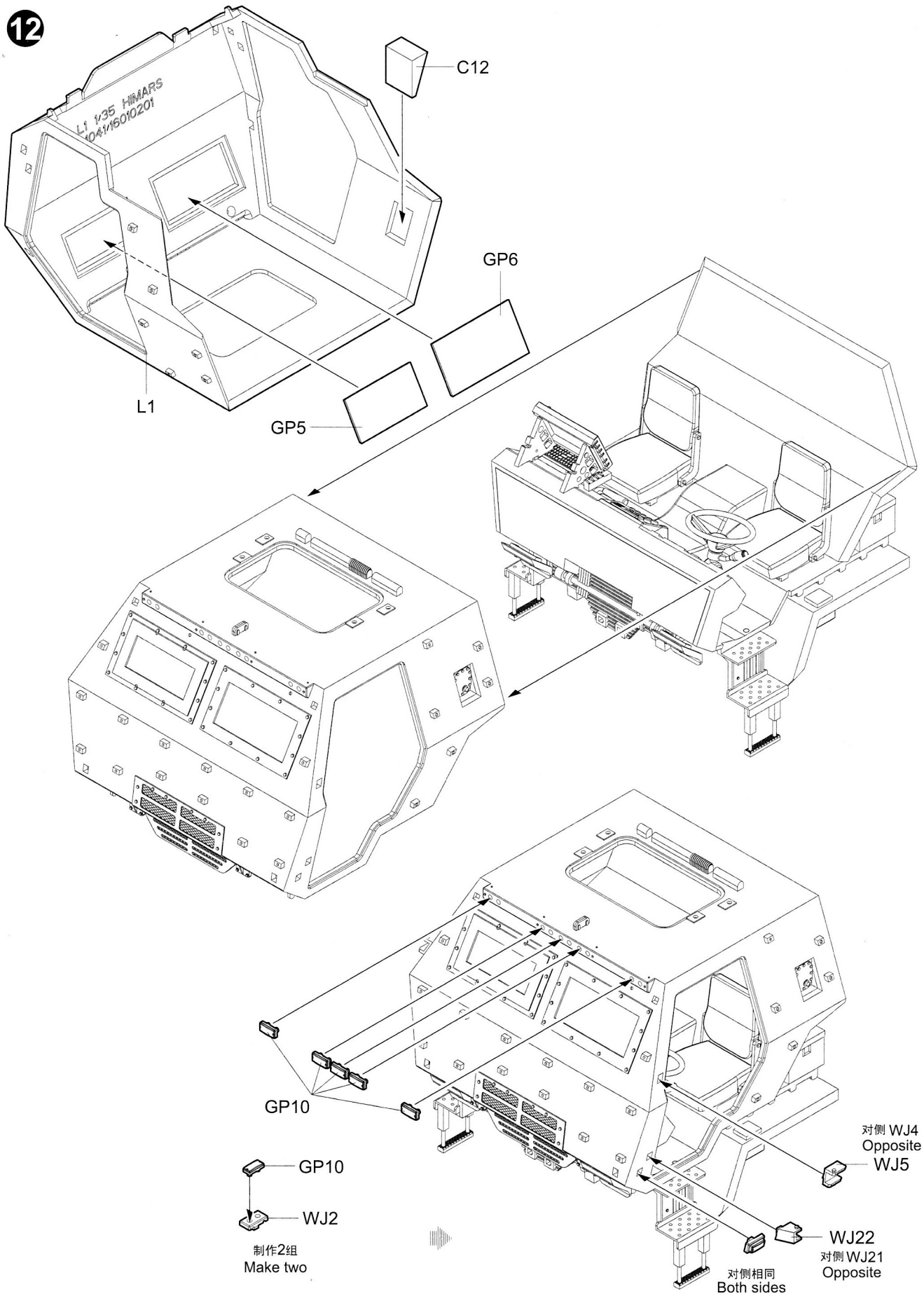
11



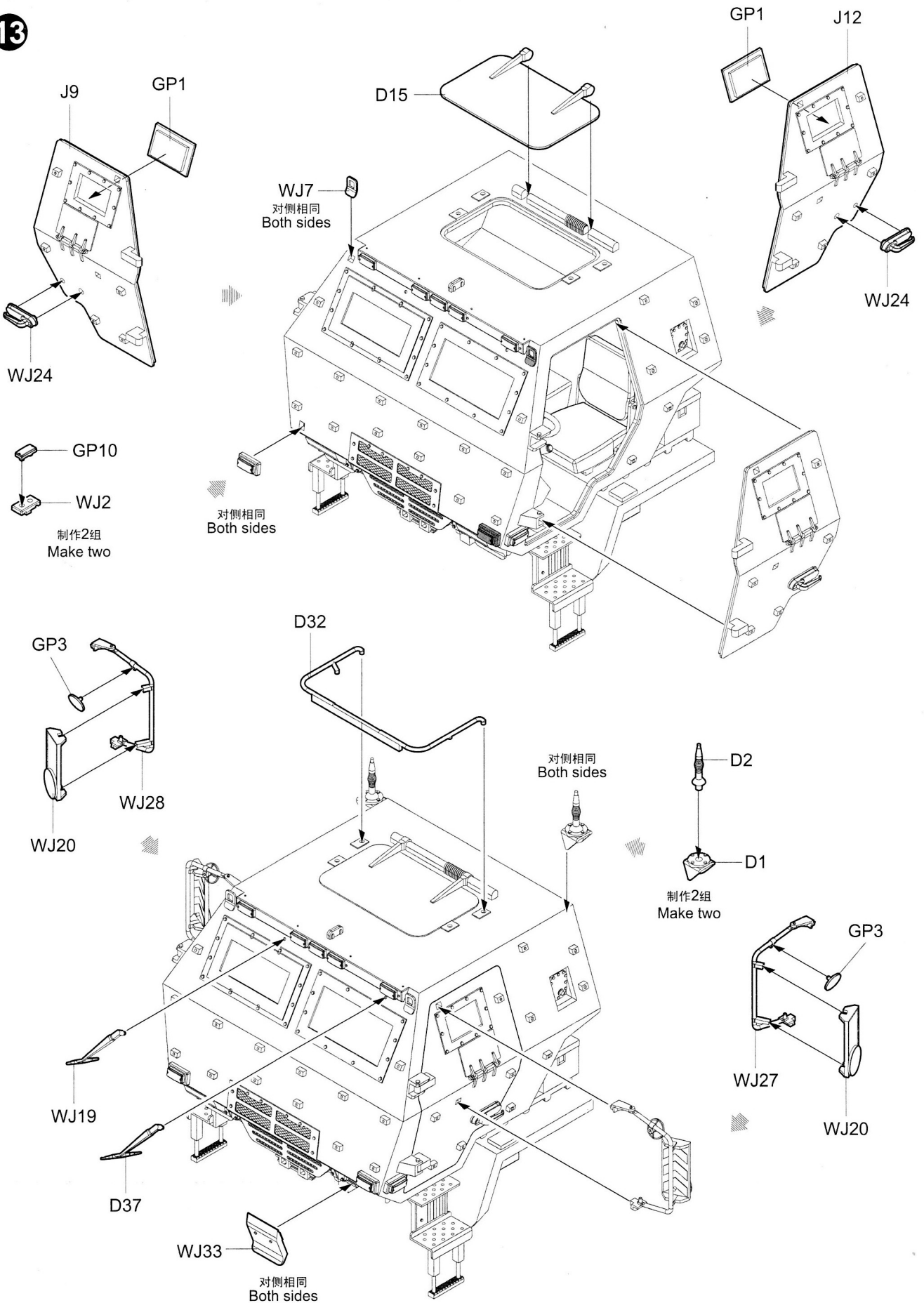
制作2组
Make two



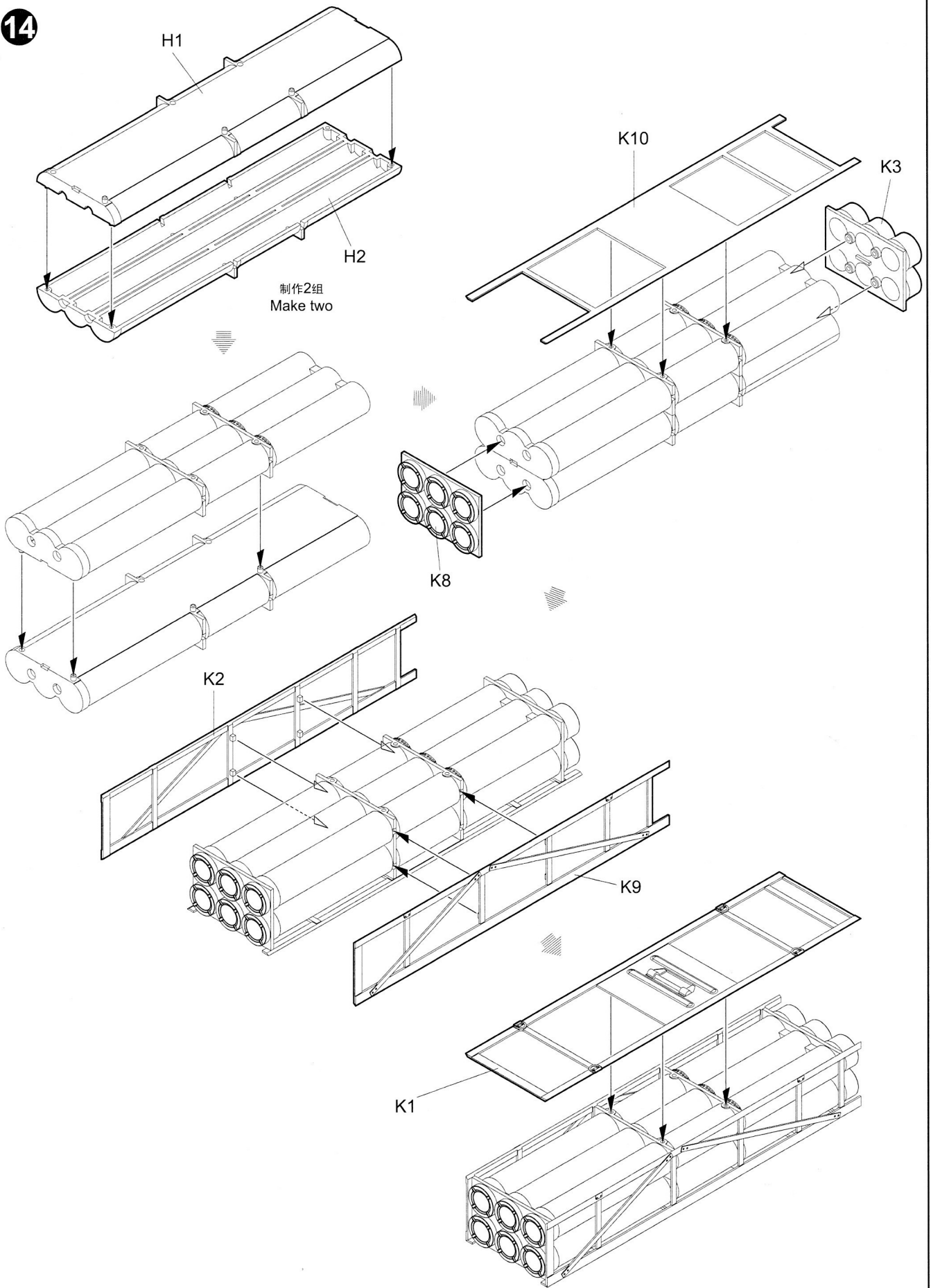
12



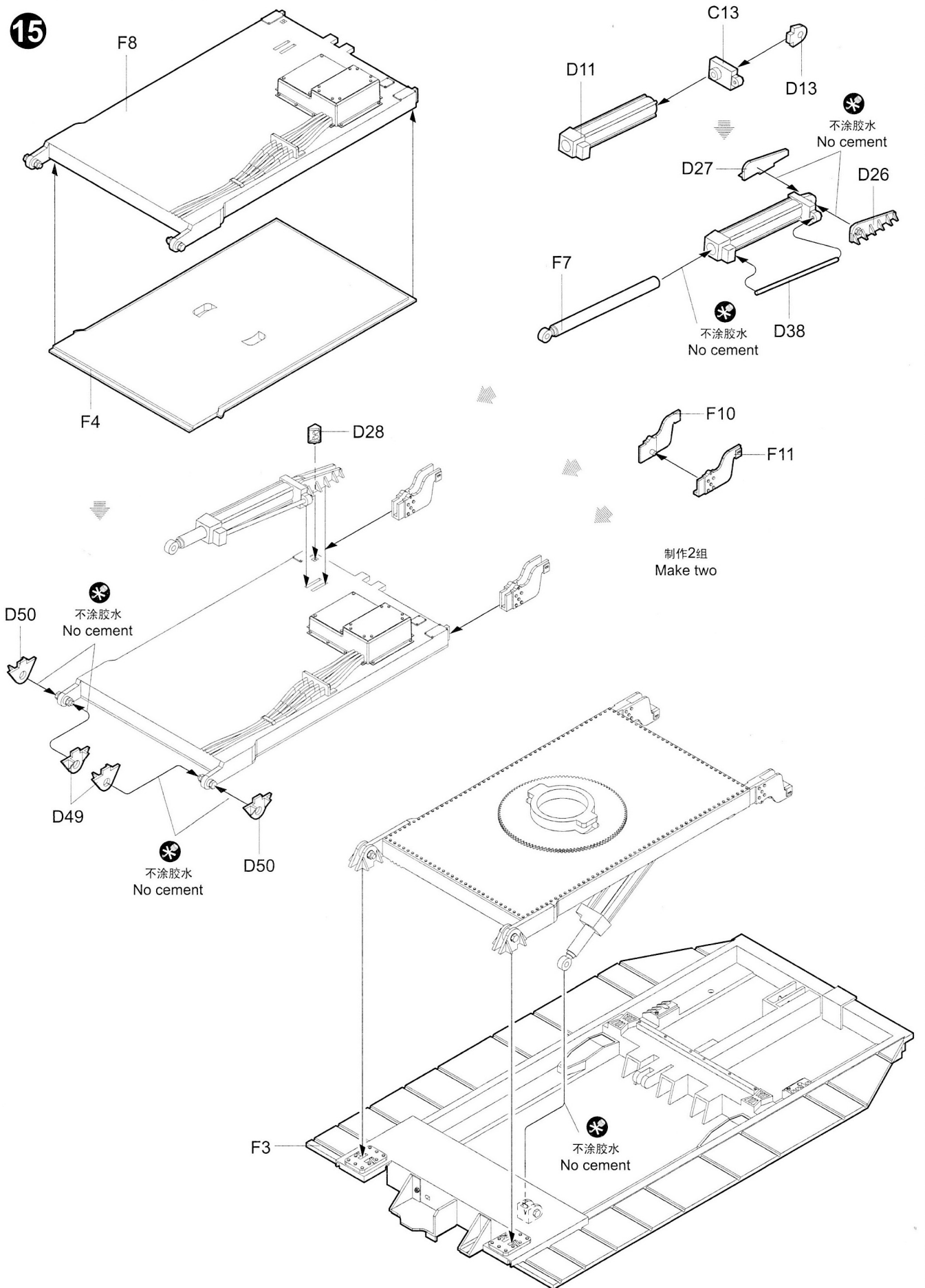
13



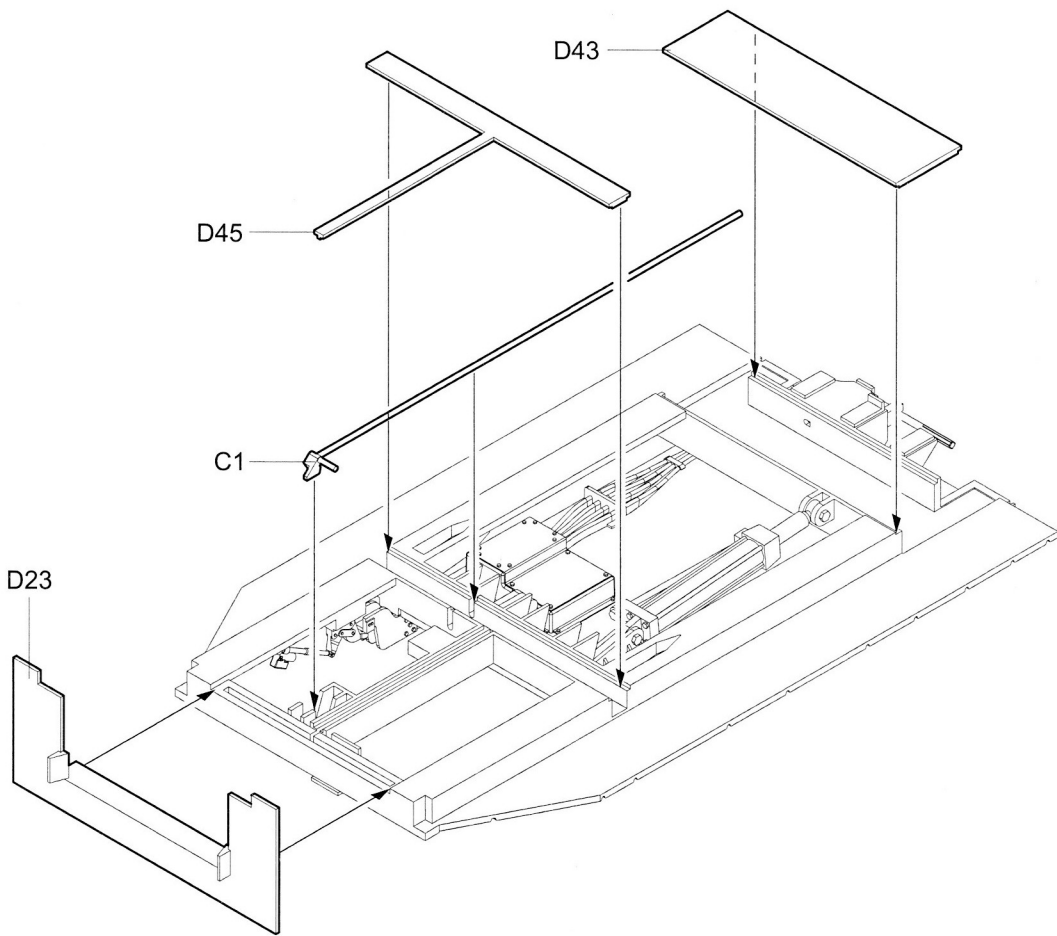
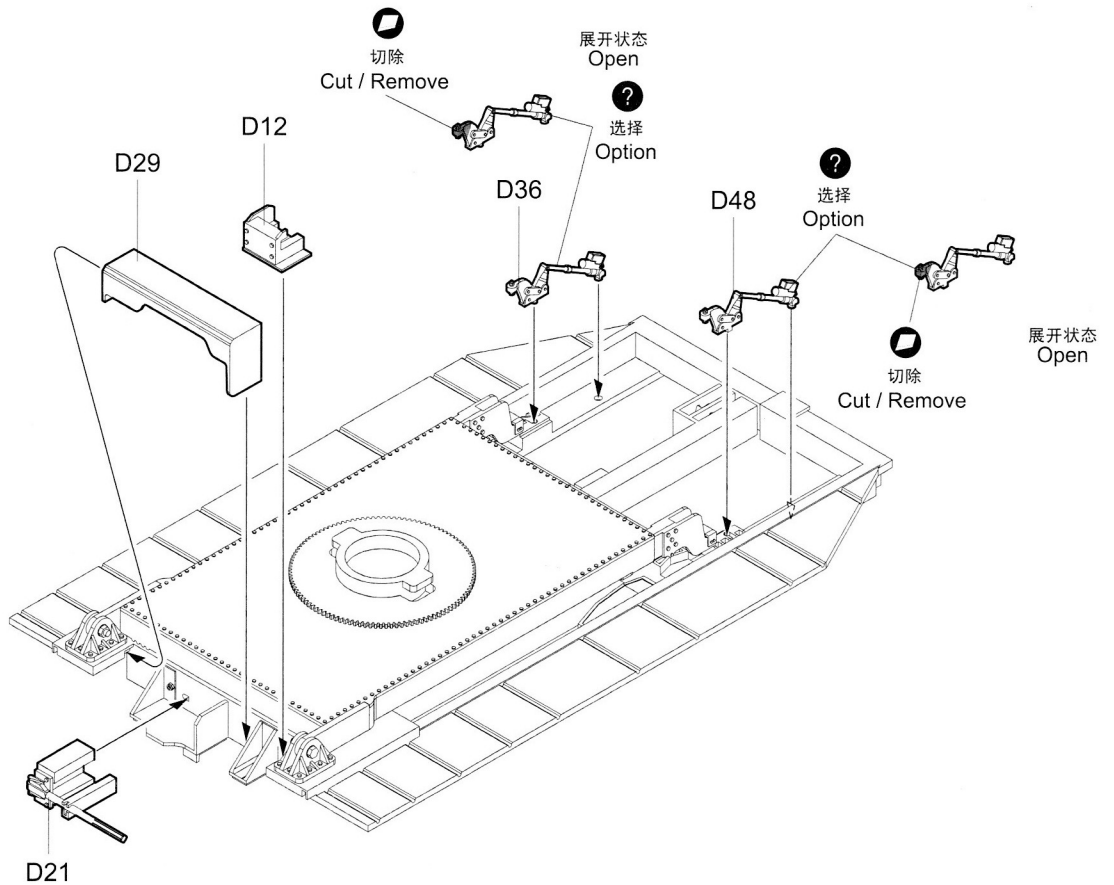
14



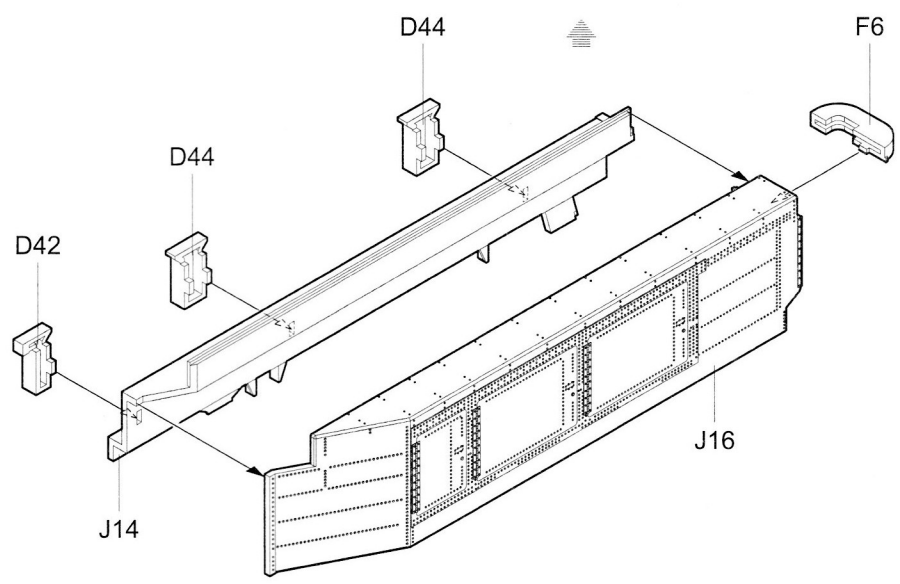
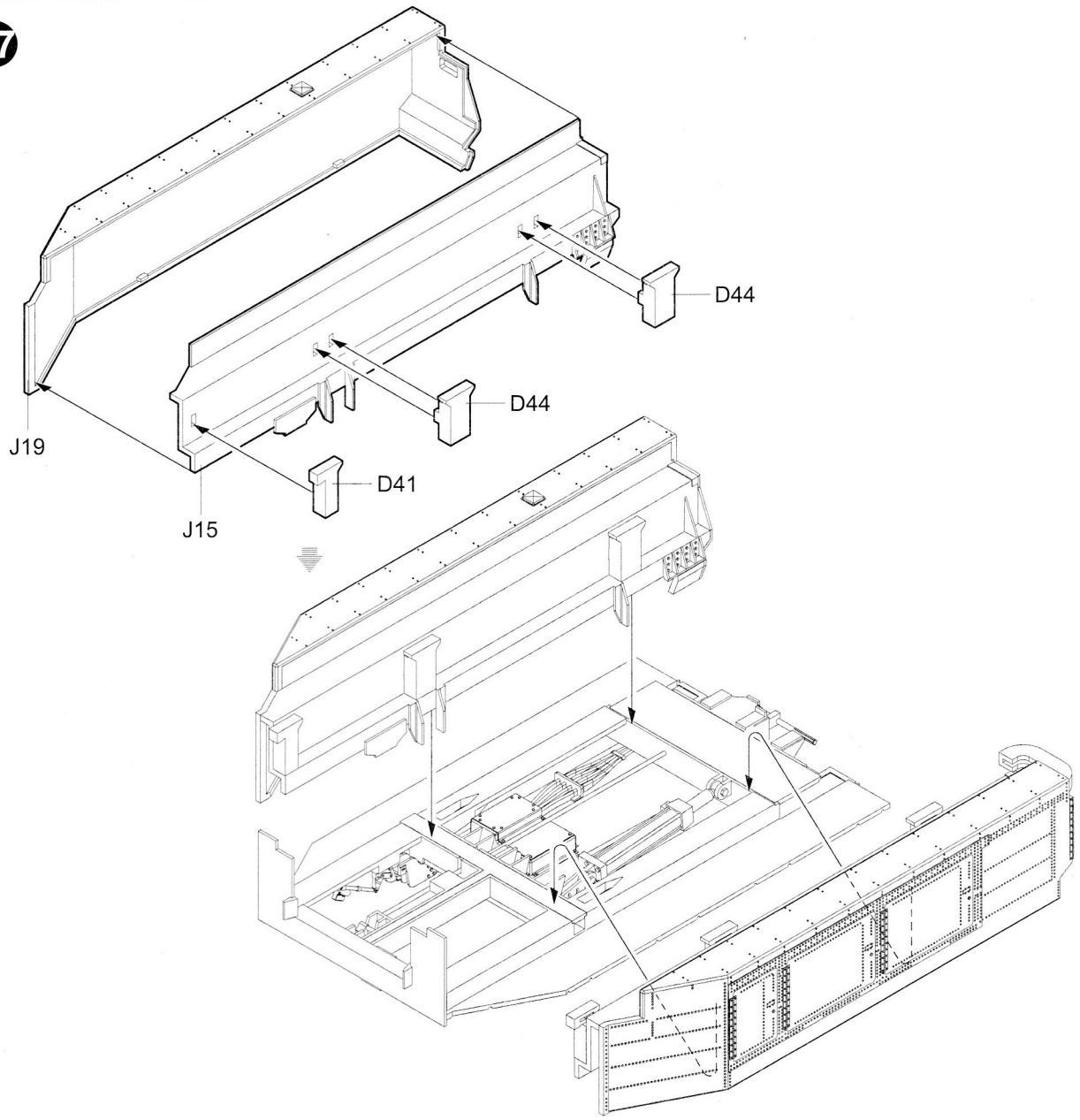
15



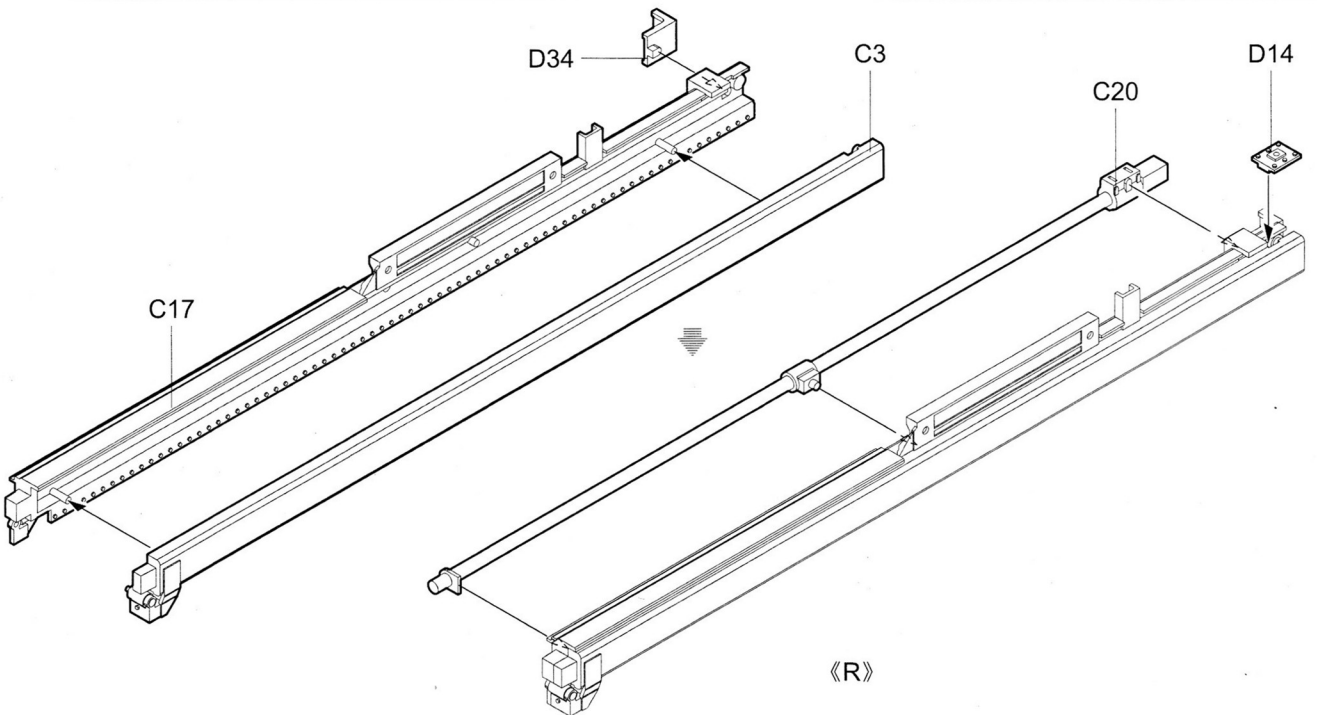
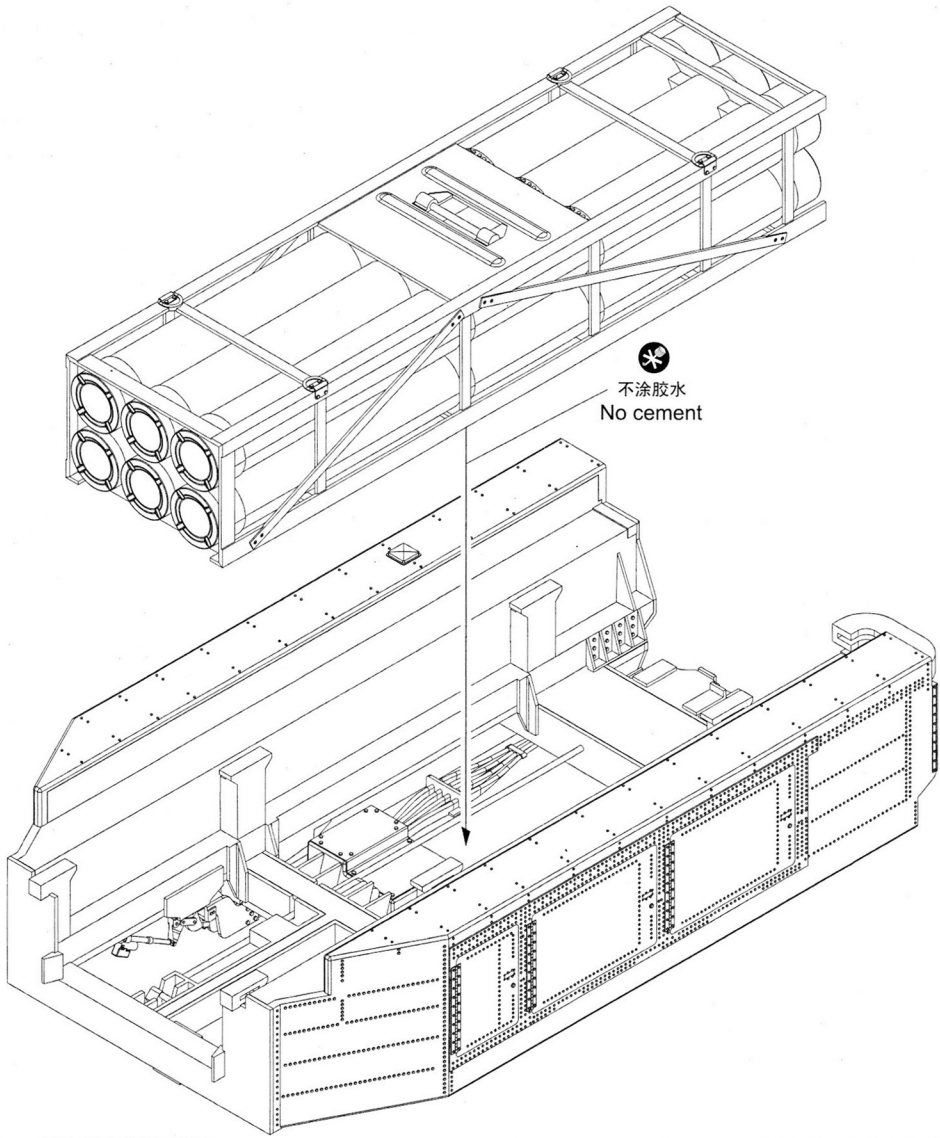
16



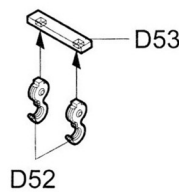
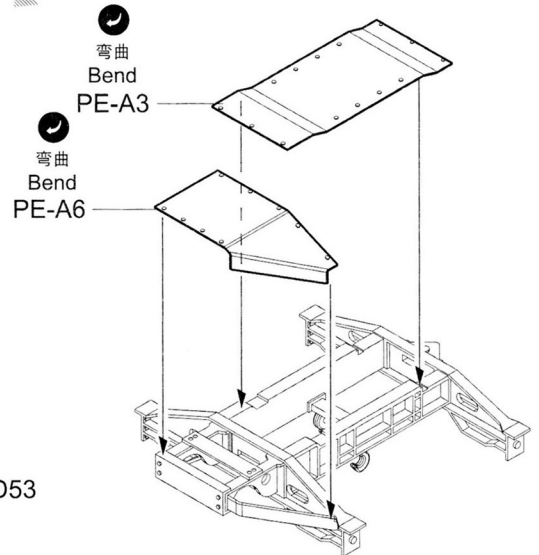
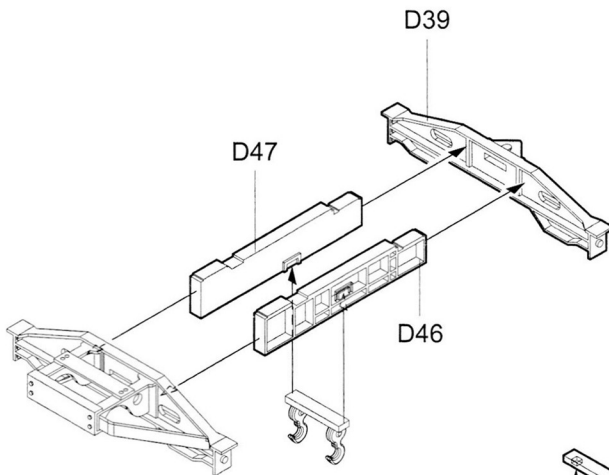
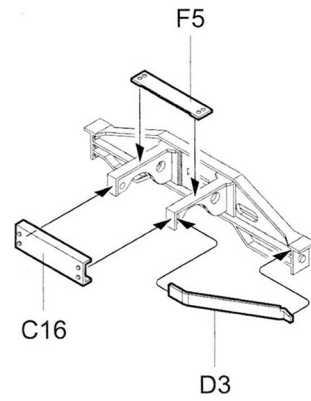
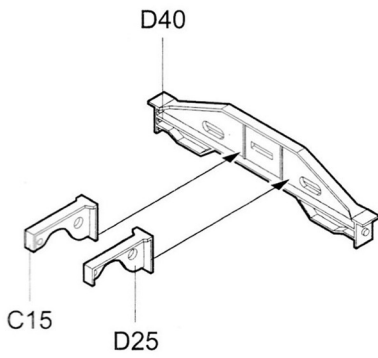
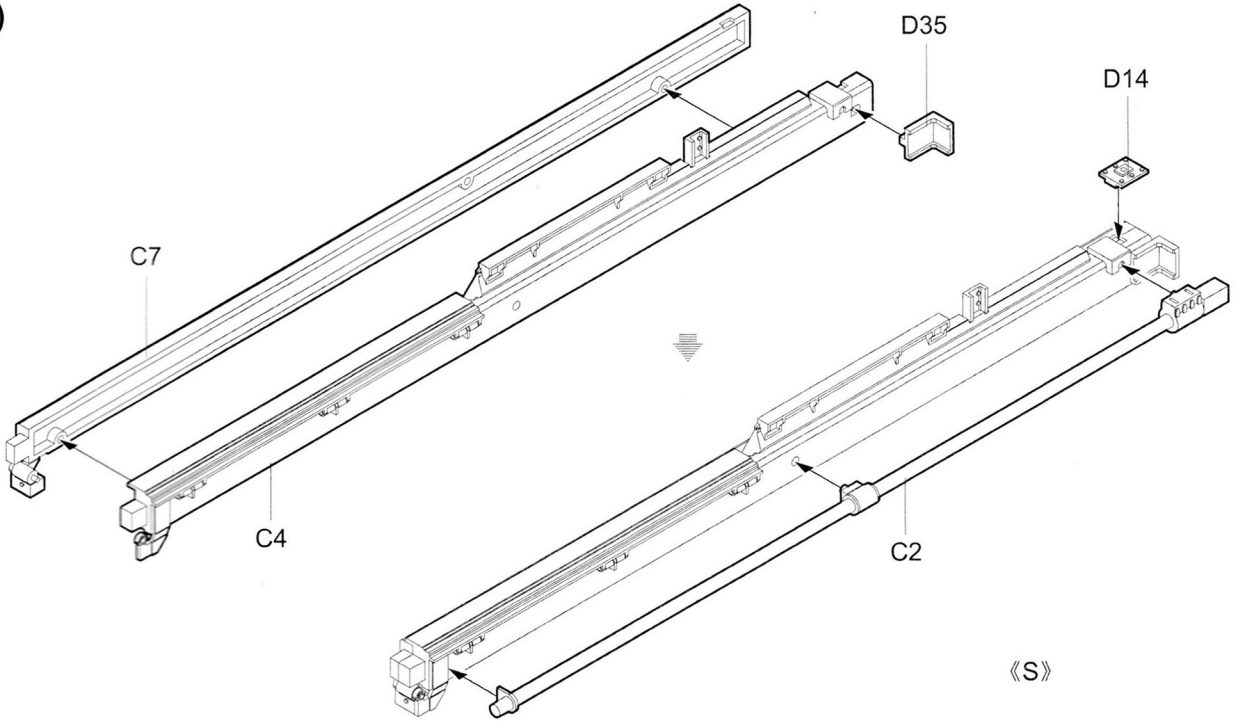
17



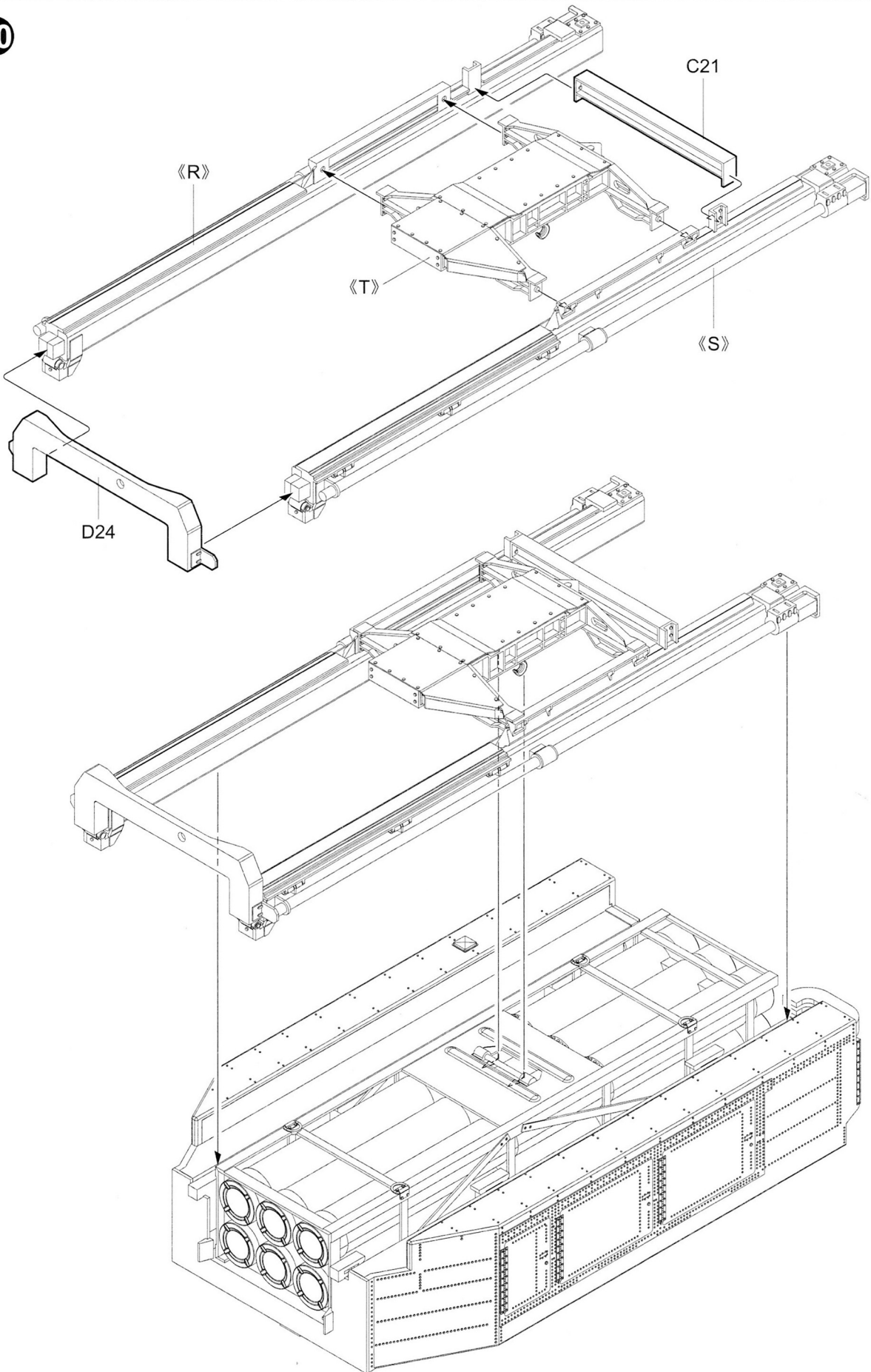
18

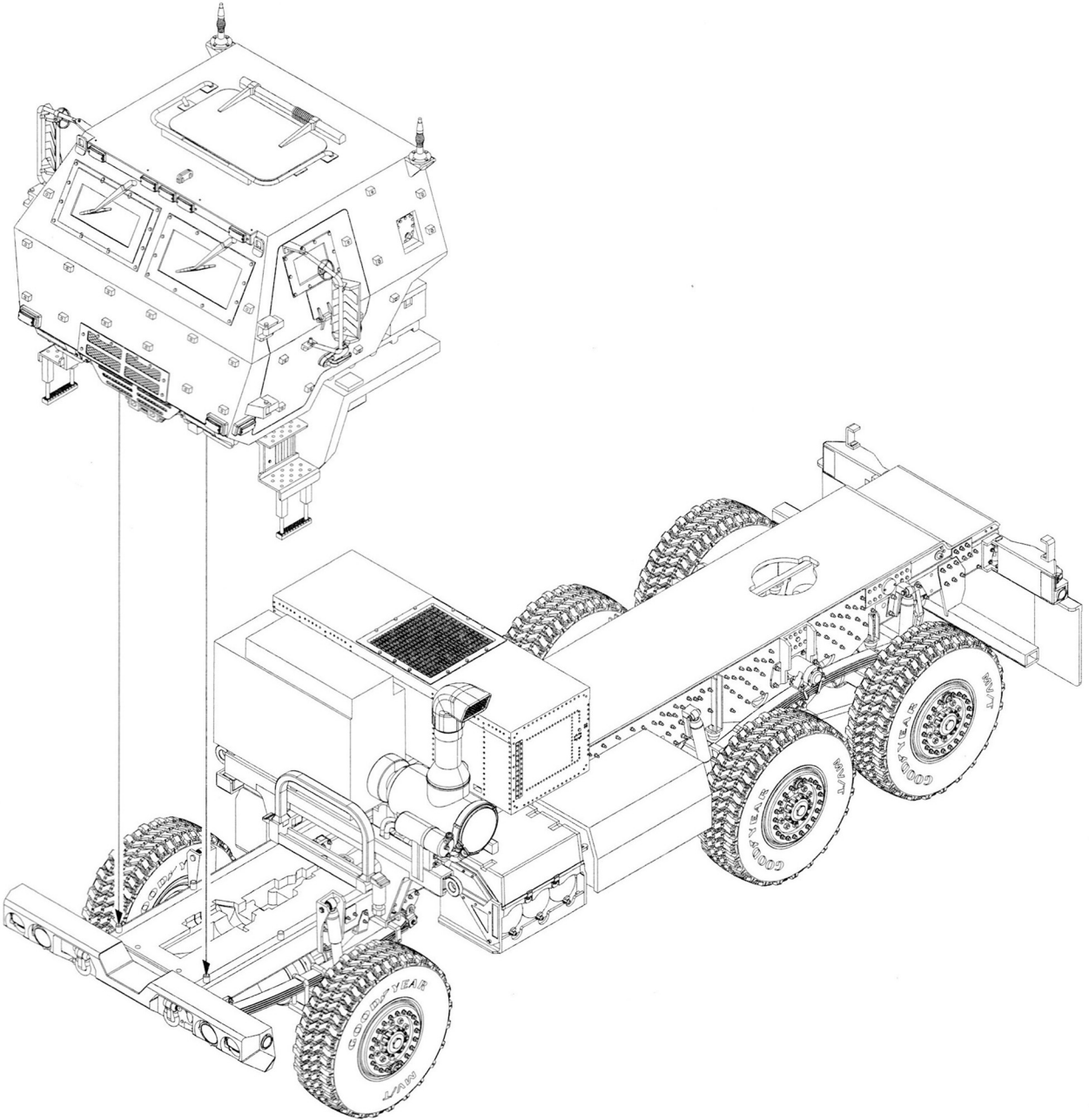


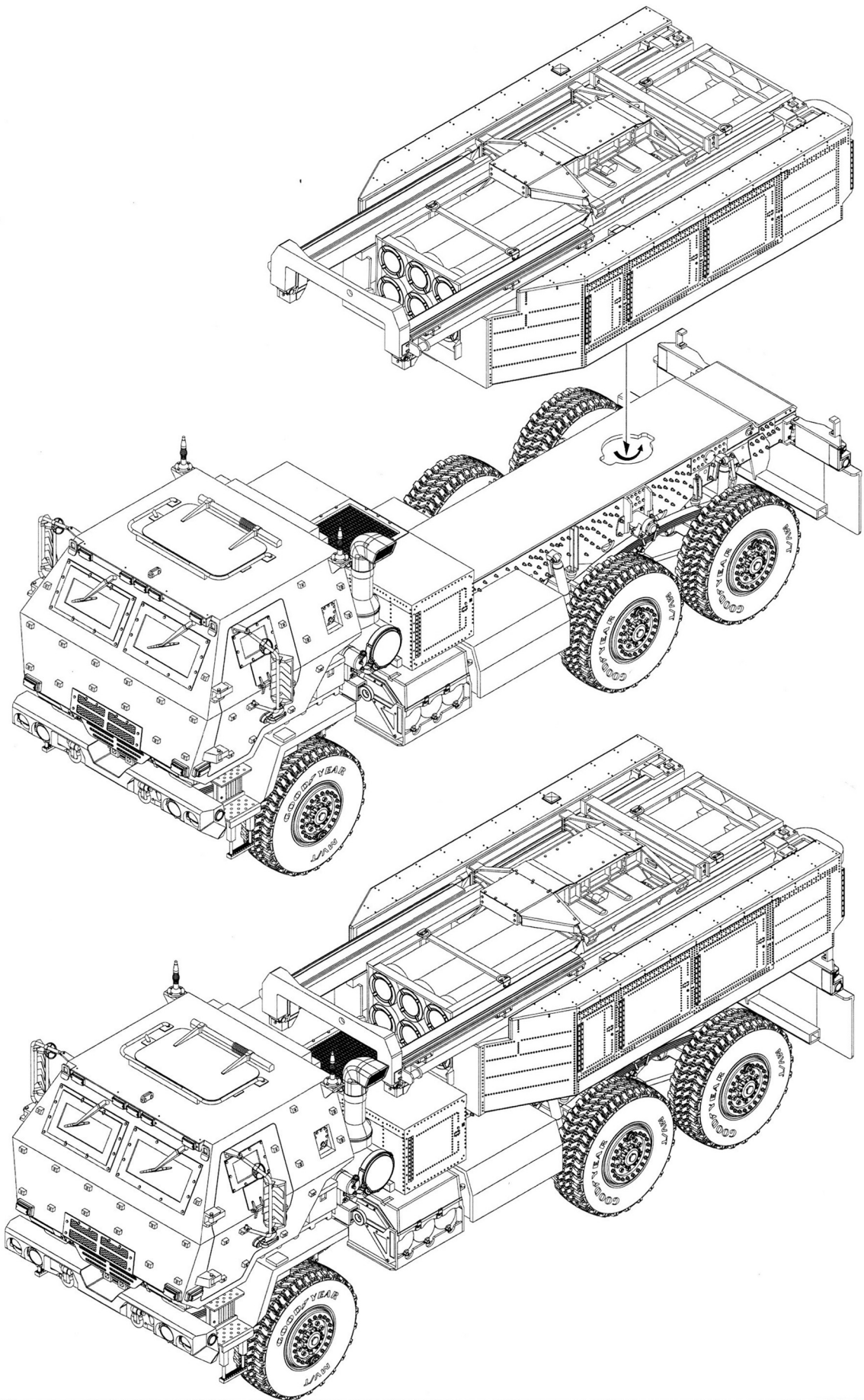
19



20







涂装同标贴指示

Painting & Marking guide

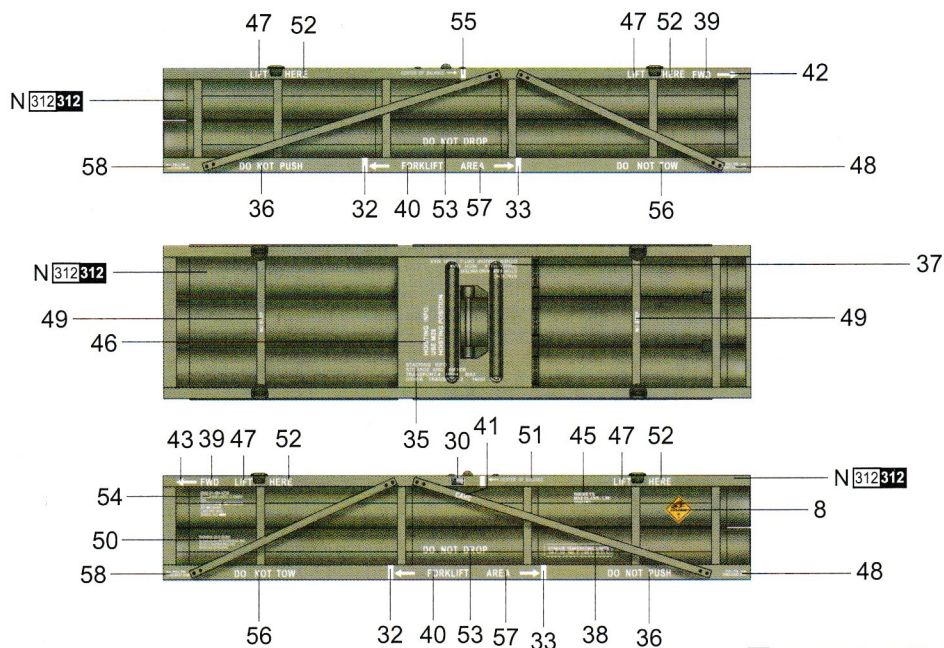
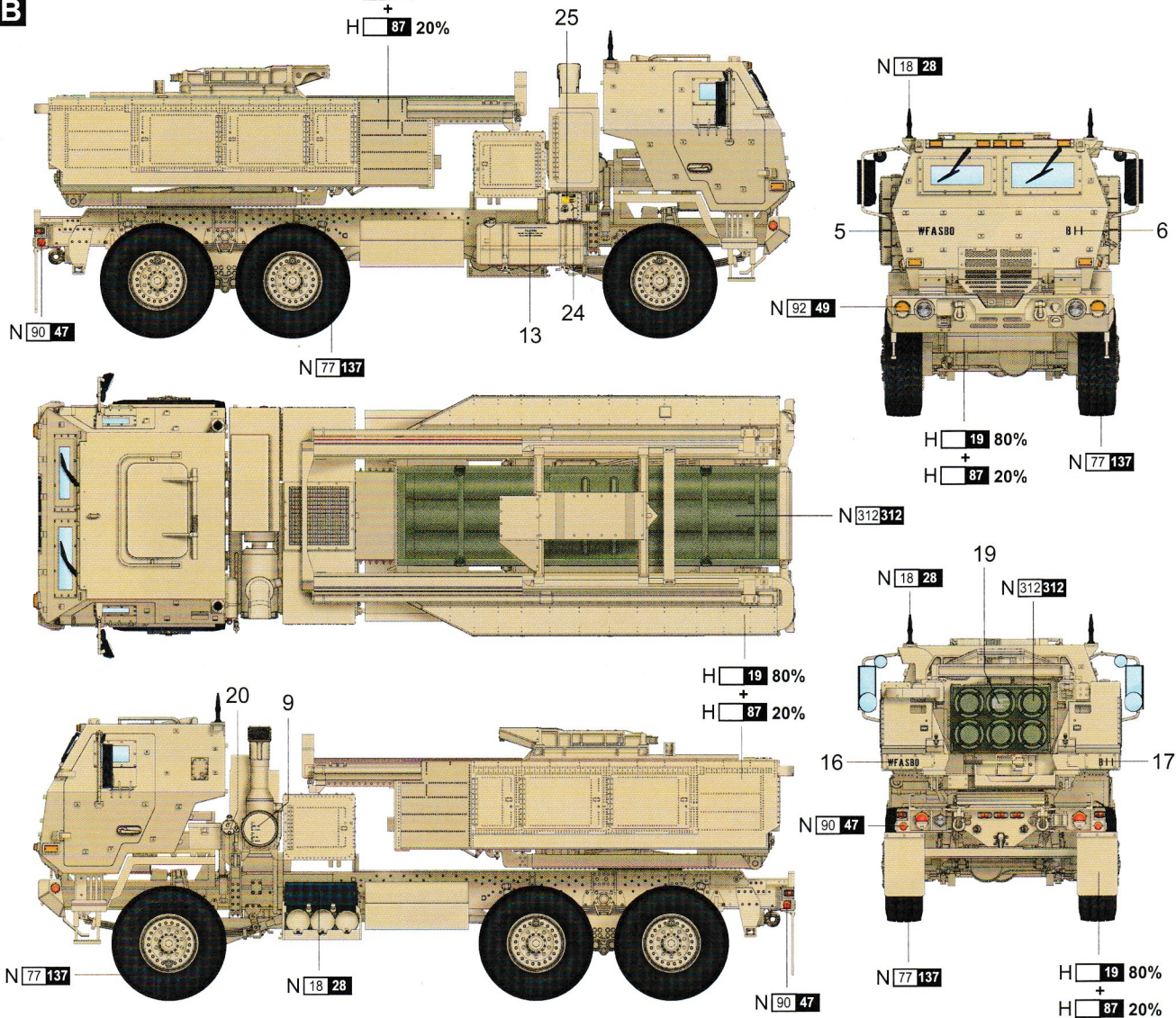
PAINT REFERENCE COLOUR

Color	Mr.Hobby	Vallejo	Model Master	Tamiya	Humbrol
Steel 黑铁色	N 18 28	864	1402	—	—
Sandy Brown 沙褐色	N 19	—	—	—	—
浅奶油黄	N 87	—	—	—	—

B

H 19 80%

+
H 87 20%



H X AQUEOUS HOBBY COLOUR

X MR COLOUR

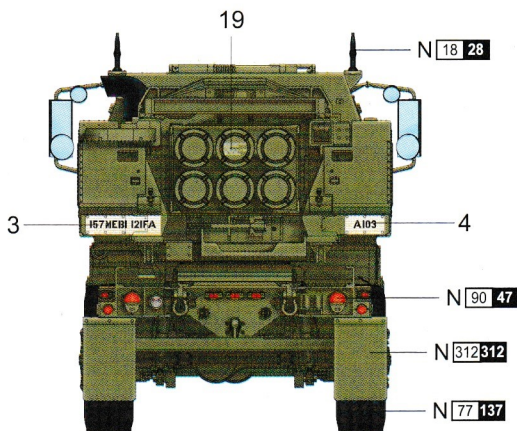
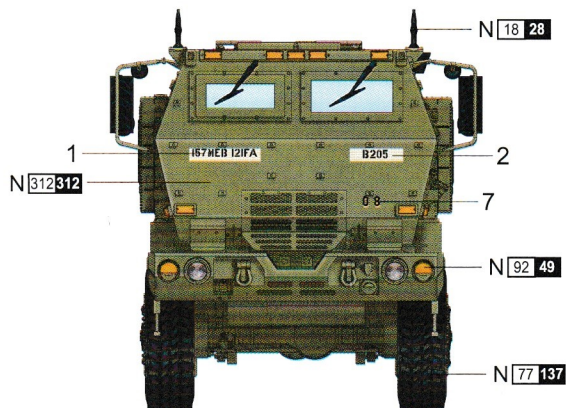
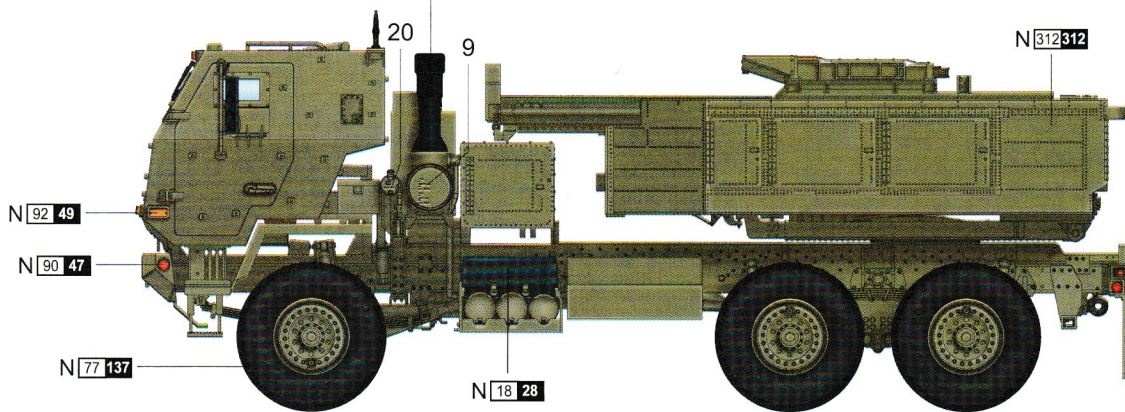
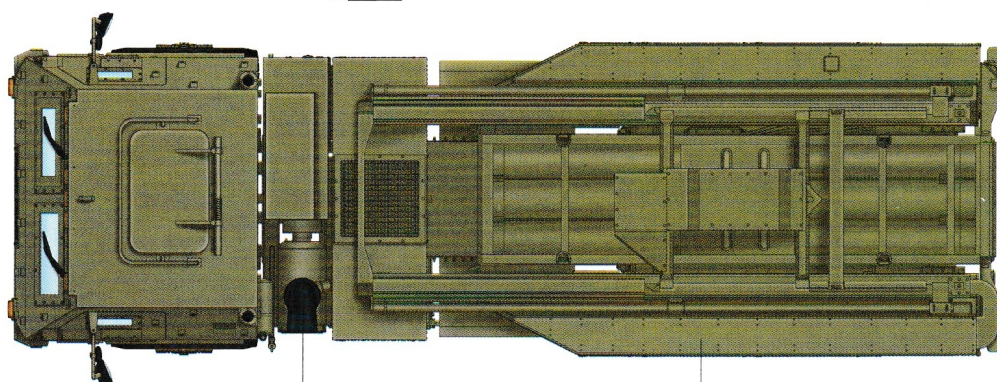
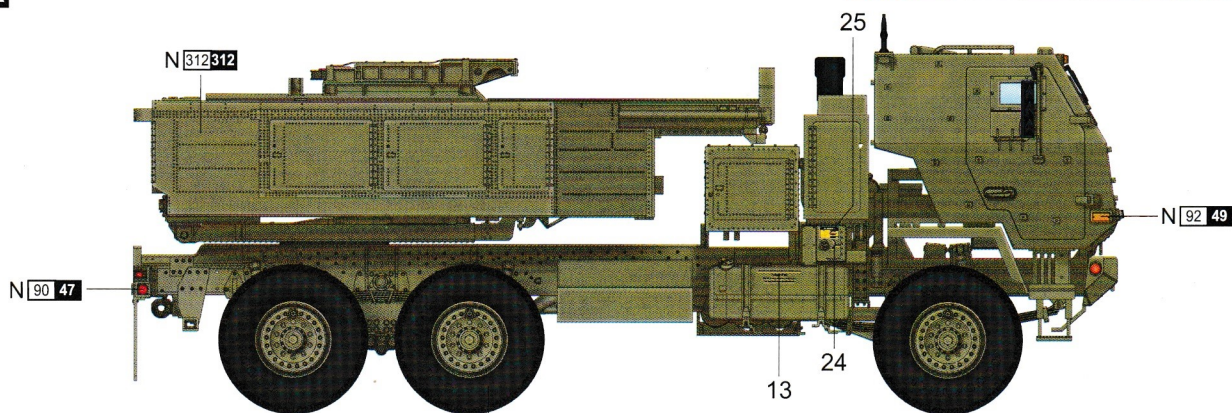
涂装同标贴指示

Painting & Marking guide

PAINT REFERENCE COLOUR

Color	Mr.Hobby	Vallejo	Model Master	Tamiya	Humbrol
Medium Grey Green 绿色	N 312 312	—	1716	—	120
Tire Black 胎黑色	N 77 137	—	—	—	—
Clear Orange 透明橘	N 92 49	935	—	X26	—
Clear Red 透明红	N 90 47	934	—	X27	—

A



H X AQUEOUS HOBBY COLOUR

X MR COLOUR