

1/35  
DD35005

# Sturmtiger Zimmerit Coating Decal w/ PE Engine grill set

**DEF-MODEL**  
Definite Detail Resin Cast Kit

For 1/35 Tamiya sturmtiger kit  
**Not available for AFV club kit**  
Include 1 Decal, 1 PE plate and manual

### Notice

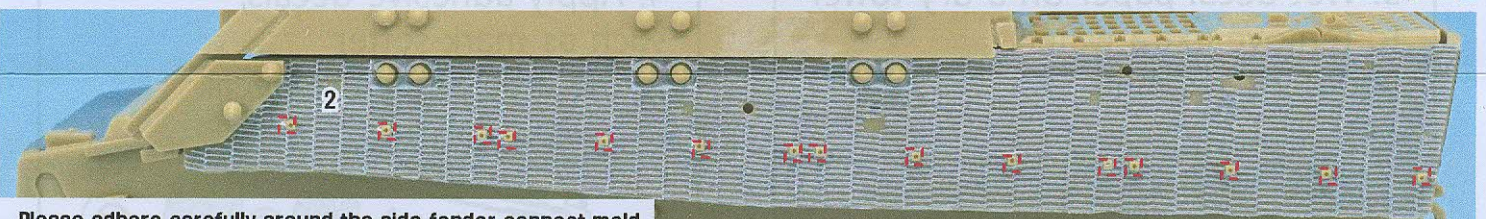
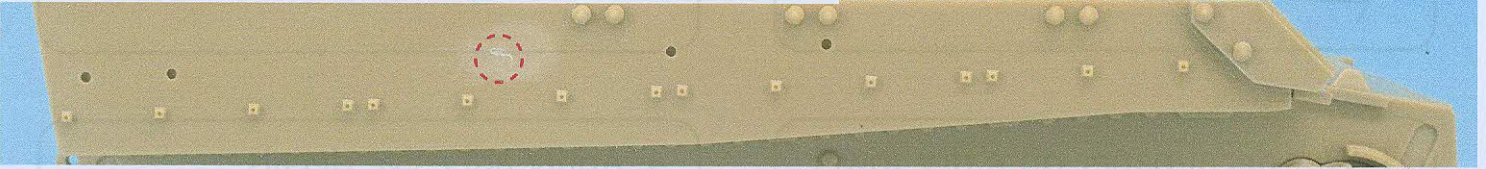
- The basic usage of this decal is the same as another water slide type decal.
- Apply decal before attaching accessory parts on surface
- Remove oil or dust from surface before applying decal
- A few pieces of decals are necessary little modifications in order to apply to the part.
- For the adhesion of the decal is Mark setter or water based adhesive may be necessary.

- This decals were printed used strong epoxy resin on the transparent adhesive film.
- If you want a stronger adhesion of the decals, can be used a bit of Tamiya Extra thin cement.
- Enjoy the happy modelling.

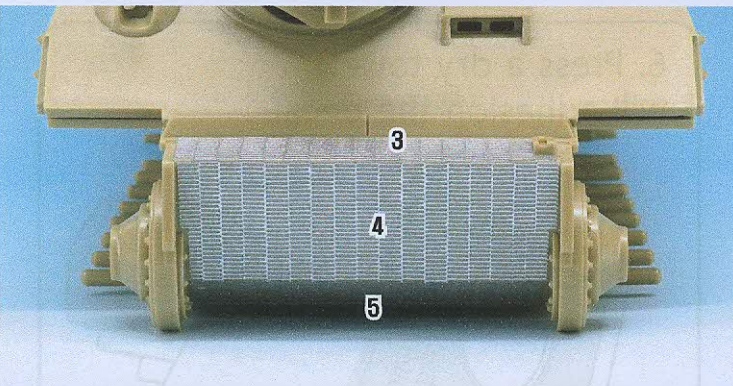
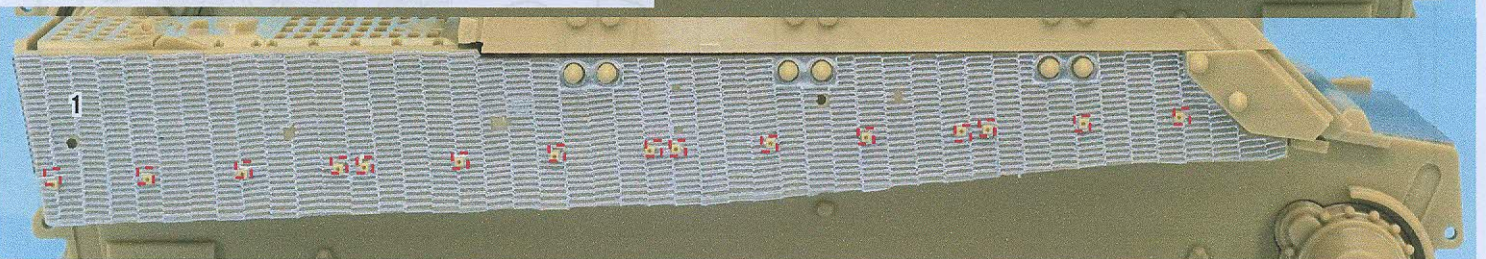
By adding the damage several places in decal can make higher reality.



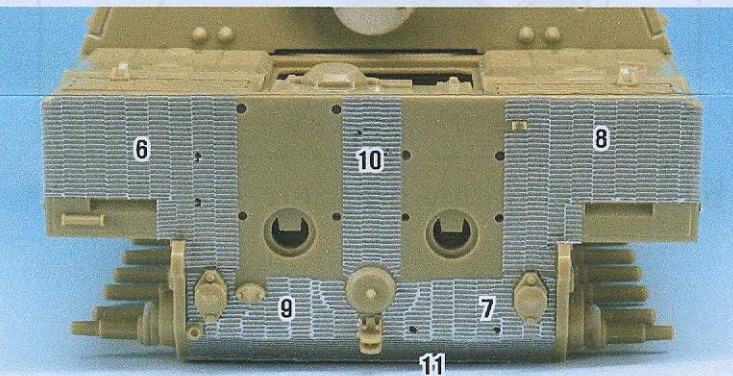
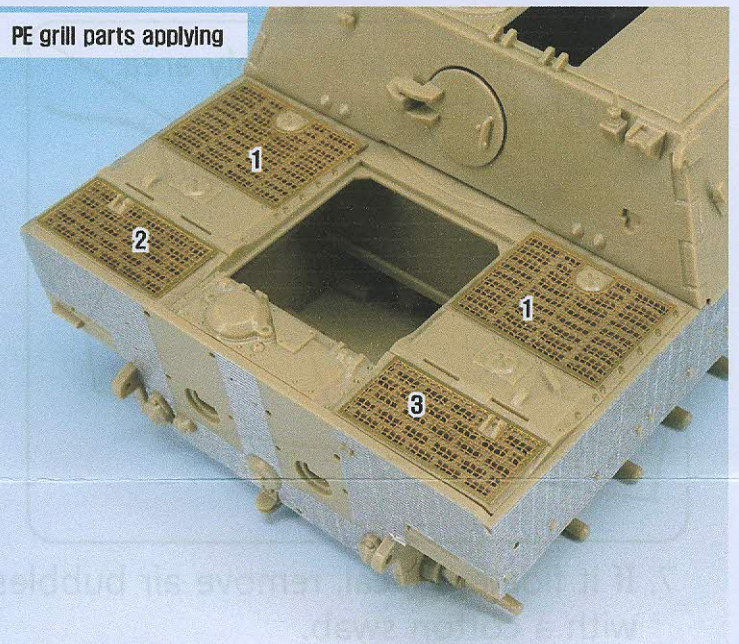
First step. Remove some detail for OVM in side wall (check red circles)  
We recommend to change these details with PE parts.  
If you do not have any PE products for this, yet  
There is one good way for wait our upcoming brand new Sturmtiger basic PE set.



Please adhere carefully around the side fender connect mold.



PE grill parts applying

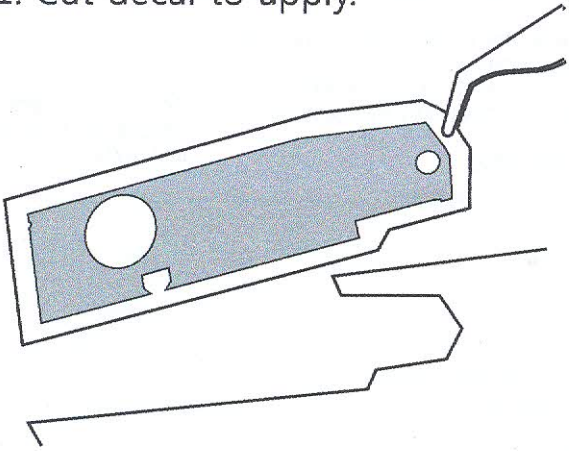


- Good to use with our product DE35015 Sturmtiger Basic PE set.
- Read how to use this product before use on the next page.

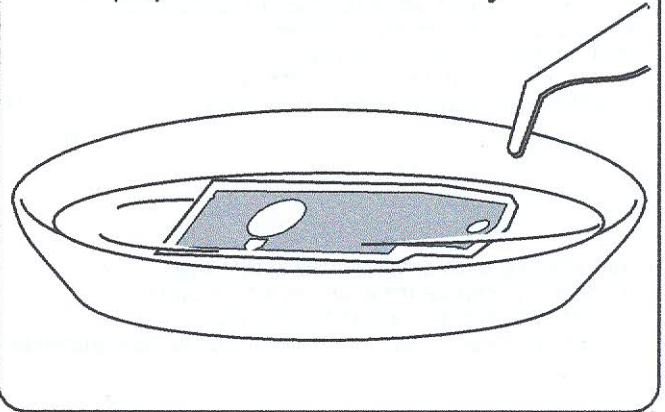


# How to apply the Zimmerit decals.

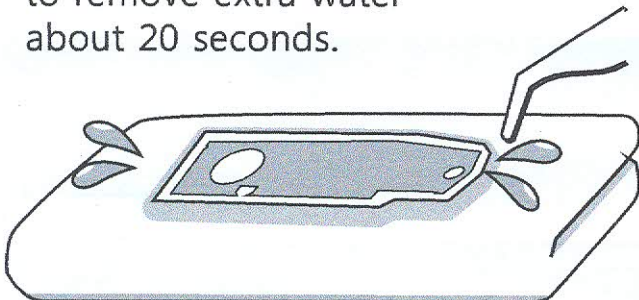
1. Cut decal to apply.



2. Soak for about 20-30 seconds the paper in the water tray.

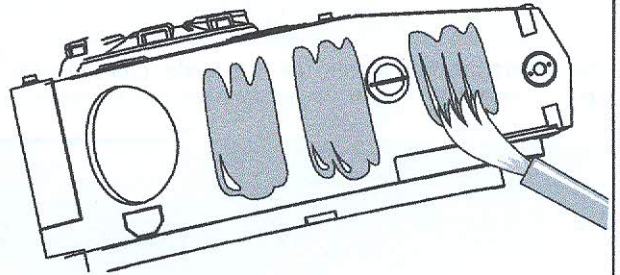


3. Wet decal paper on a dry towel to remove extra water about 20 seconds.

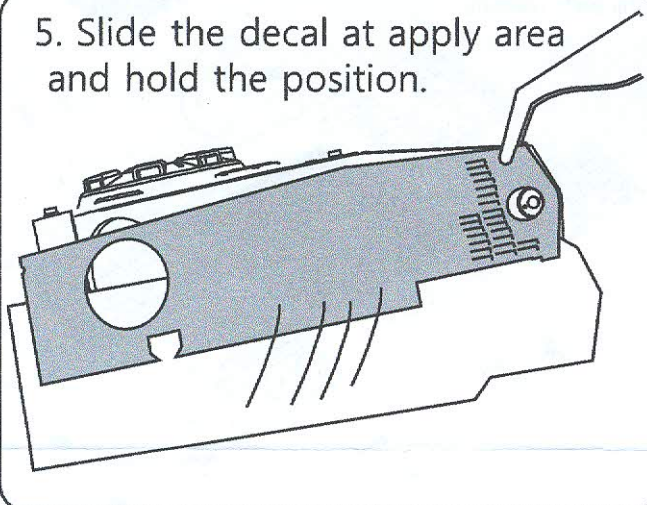


※ Too much water lowers the adhesiveness.

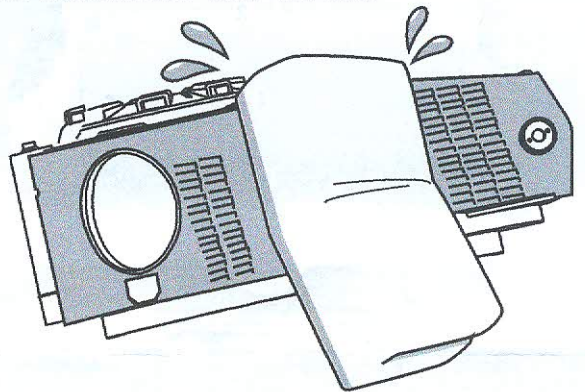
4. Apply adhesive decals, such as mark-setter in the area apply the decal.



5. Slide the decal at apply area and hold the position.



6. Press a dry towel will adhesion the decal.



7. If it floated decal, remove air bubbles by cut and gently pressing with a cotton swab.

8. Enjoy the happy modelling time.