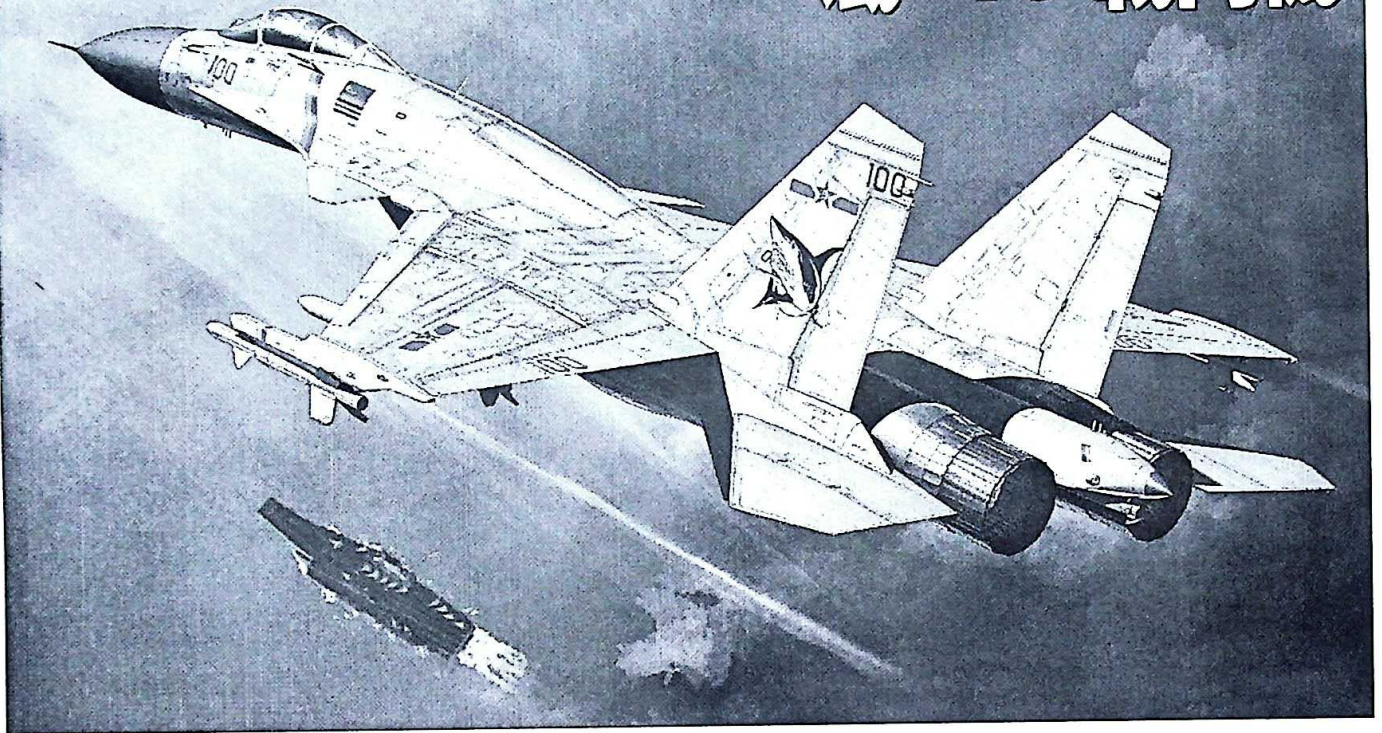


Chinese Navy J-15 Flying Shark

殲-15 戰鬥機



Chinese Navy J-15 Flying Shark 殲-15 戰鬥機

The Shenyang J-15, also known as Flying Shark, is a carrier-based multirole fighter aircraft. The J-15 is based on the Su-33 design, but it is fitted with indigenous engines, weapons and radar. In many aspects the J-15 is similar to Shenyang J-11 air superiority aircraft. Compared to the Su-33, the Shenyang J-15 is much faster (2 940 km/h), has a longer range (3 500 km).

J-15 program was officially started in 2006. The first J-15 prototype made its maiden flight on 31 August, 2009. On November 25, 2012, Chinese media announced that two J-15s had made successful landings on the aircraft carrier Liaoning. In December 2013 Chinese media reported that mass production of J-15s in full operational condition with combat markings had begun.

In January 2017, the carrier Liaoning, returned to the South China Seas after its first deployment into the West Pacific, conducted a series of take-off and landing drills with its force of embarked J-15 fighters.


CAUTION

- * Read carefully and fully understand the instructions before commencing assembly.
 - * Keep out of reach of children. Children must not be allowed to put any parts in their mouths, or pull plastic bag over their heads.
 - * When using adhesives and paints, pleasemake sure not to use them in closed room or near the fire.
 - * When assembling this kit, tools including knives are used. Extra care should be taken to avoid injury.
- WARNING: CONTAIN SMALL PARTS NOT FOR CHILDREN UNDER 14 YEARS OF AGE.



TOOLS RECOMMENDED

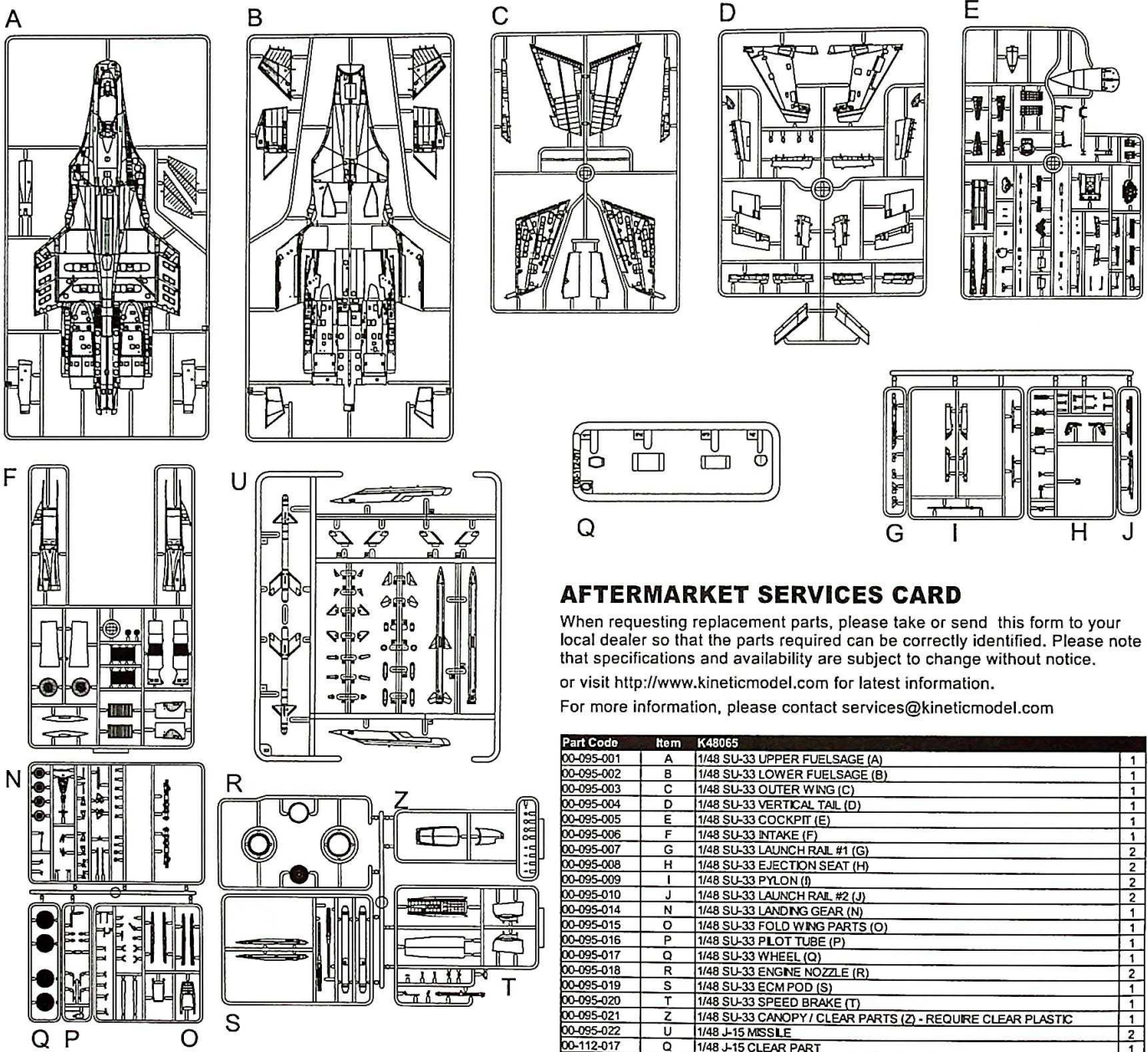
Cement 

Side Cutter 

Modeling Knife 

Tweezers 

1/48 SCALE AIRCRAFT SERIES NO: K48065



AFTERMARKET SERVICES CARD

When requesting replacement parts, please take or send this form to your local dealer so that the parts required can be correctly identified. Please note that specifications and availability are subject to change without notice.

or visit <http://www.kineticmodel.com> for latest information.

For more information, please contact services@kineticmodel.com

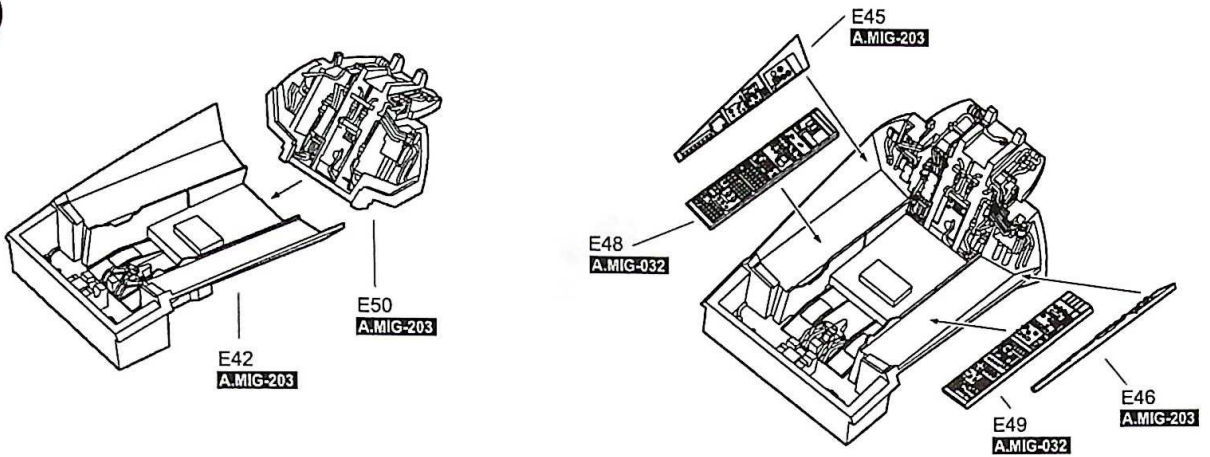
Part Code	Item	K48065	
00-095-001	A	1/48 SU-33 UPPER FUELSAGE (A)	1
00-095-002	B	1/48 SU-33 LOWER FUELSAGE (B)	1
00-095-003	C	1/48 SU-33 OUTER WING (C)	1
00-095-004	D	1/48 SU-33 VERTICAL TAIL (D)	1
00-095-005	E	1/48 SU-33 COCKPIT (E)	1
00-095-006	F	1/48 SU-33 INTAKE (F)	1
00-095-007	G	1/48 SU-33 LAUNCH RAIL #1 (G)	2
00-095-008	H	1/48 SU-33 EJECTION SEAT (H)	2
00-095-009	I	1/48 SU-33 PYLON (I)	2
00-095-010	J	1/48 SU-33 LAUNCH RAIL #2 (J)	2
00-095-014	N	1/48 SU-33 LANDING GEAR (N)	1
00-095-015	O	1/48 SU-33 FOLD WING PARTS (O)	1
00-095-016	P	1/48 SU-33 PILOT TUBE (P)	1
00-095-017	Q	1/48 SU-33 WHEEL (Q)	1
00-095-018	R	1/48 SU-33 ENGINE NOZZLE (R)	2
00-095-019	S	1/48 SU-33 ECM POD (S)	1
00-095-020	T	1/48 SU-33 SPEED BRAKE (T)	1
00-095-021	Z	1/48 SU-33 CANOPY / CLEAR PARTS (Z) - REQUIRE CLEAR PLASTIC	1
00-095-022	U	1/48 J-15 MISSILE	2
00-112-017	Q	1/48 J-15 CLEAR PART	1
06-095-48062		1/48 SU-33	1



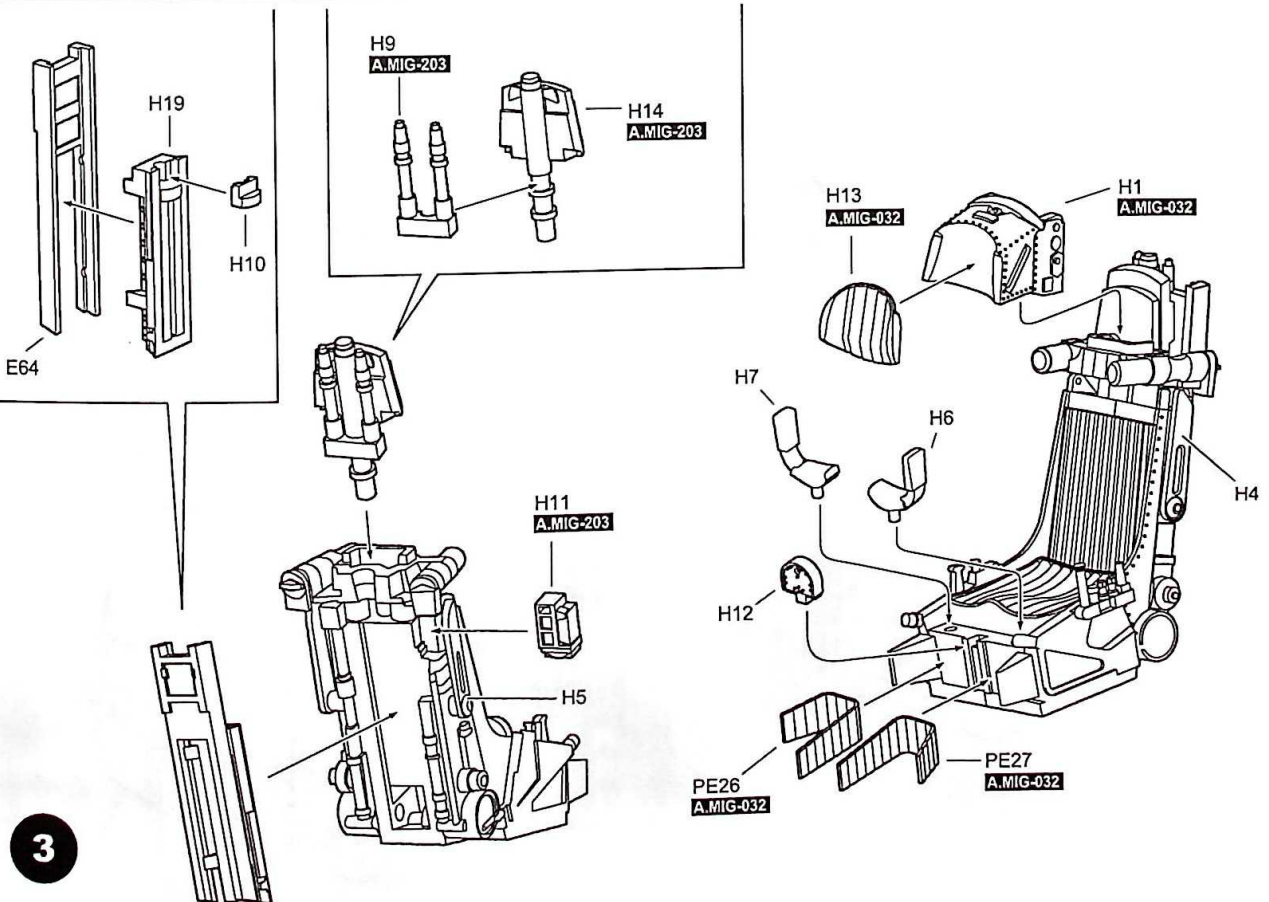
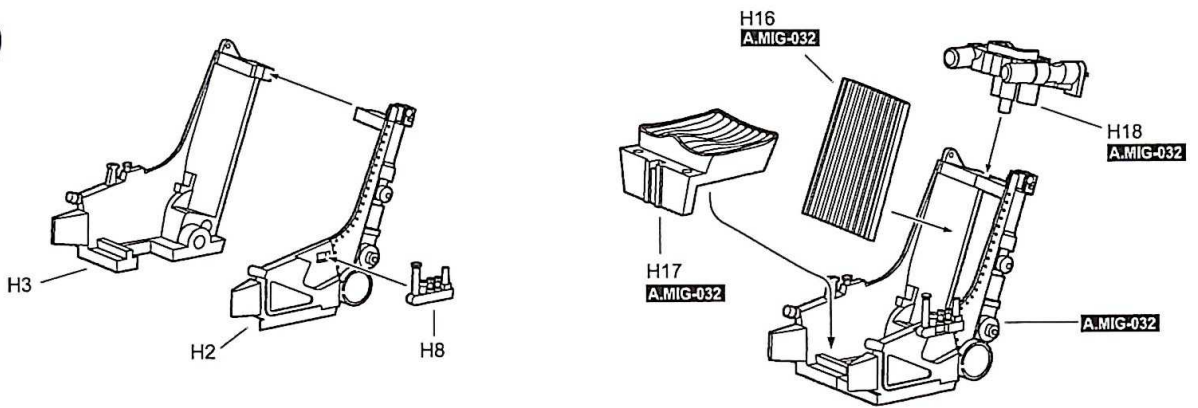
PAINT INDEX

COLOR	AMMO MIG	VALLEJO MODEL COLOR	GSI CREOS MR. COLOR	TAMIYA ENAMEL/ACRYLIC	HUMBROL ENAMEL
RUSSIAN GREEN	A.MIG-019	894	28	-	-
SATIN BLACK	A.MIG-032	950	92	X18	-
GUN METAL	A.MIG-045	863	214	X10	-
MATT BLACK	A.MIG-046	950	33	XF1	33
RED	A.MIG-049	957	327	XF07	153
MATT WHITE	A.MIG-050	951	62	XF2	130
PALE GREEN	A.MIG-060	833	27	XF71	-
BLUE	A.MIG-086	963	-	-	-
CRYSTAL GREEN	A.MIG-092	936	50	X25	1325
CRYSTAL RED	A.MIG-093	934	47	X27	1321
CRYSTAL PERISCOPE GREEN	A.MIG-096	936	-	-	-
STEEL	A.MIG-191	863	214	X10	53
SILVER	A.MIG-195	997	8	XF16	11
LIGHT GREY	A.MIG-203	901	74	-	-
LIGHT GRAY	A.MIG-209	990	308	-	-
ORANGE	A.MIG-040	851	58	X6	82
SATIN WHITE	A.MIG-047	951	-	-	130
ALUMINUM	A.MIG-194	701	218	XF16	56
MEDIUM GUNSHIP GRAY	A.MIG-204	800	-	-	125
ZINC CHROMATE YELLOW	A.MIG-221	106	-	-	-

1

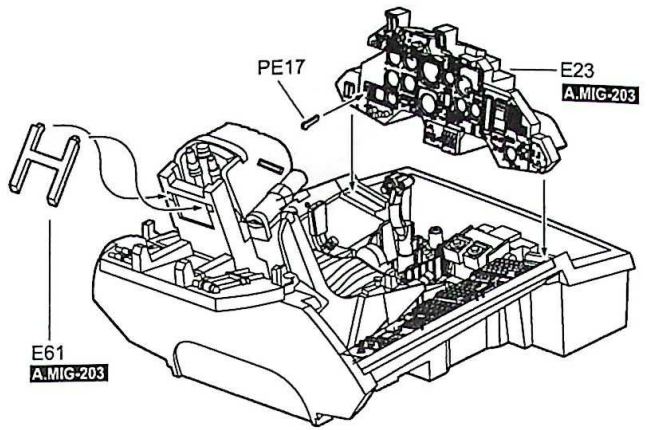
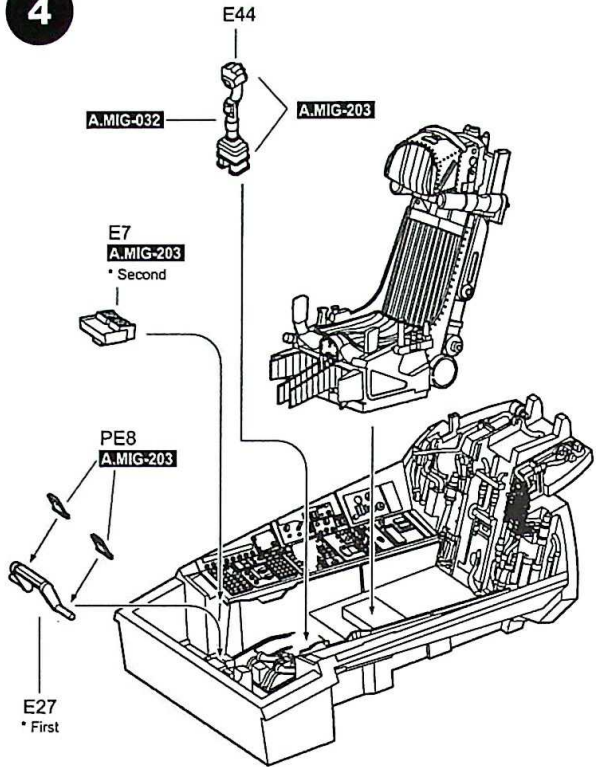


2

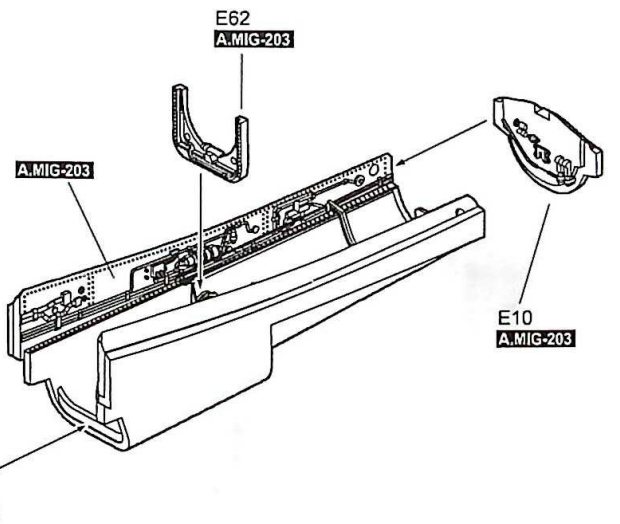
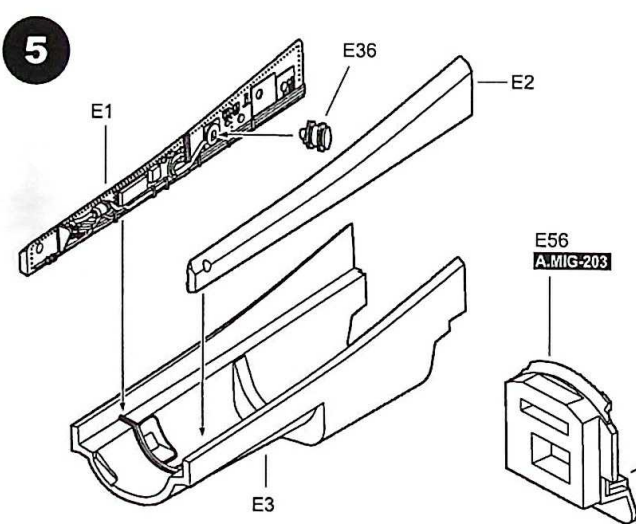


3

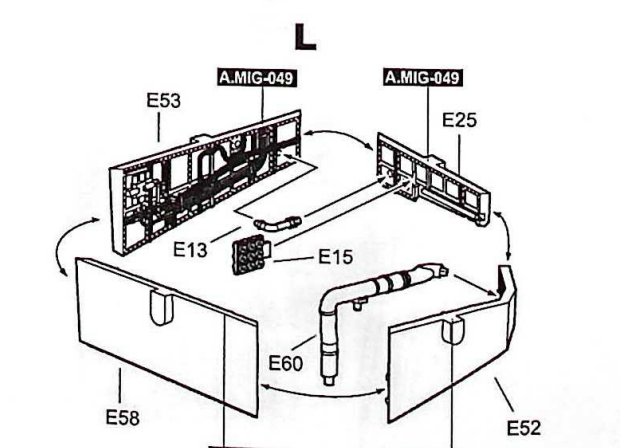
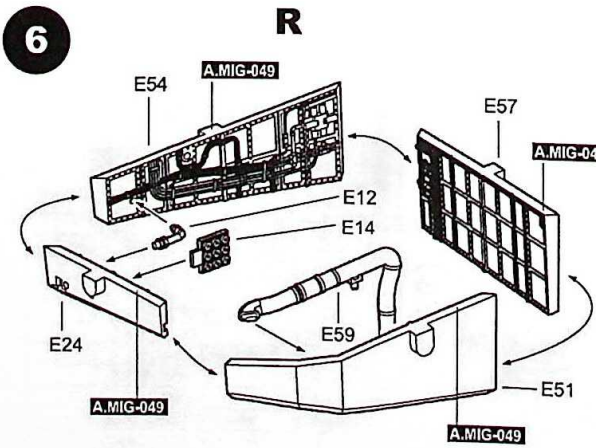
4



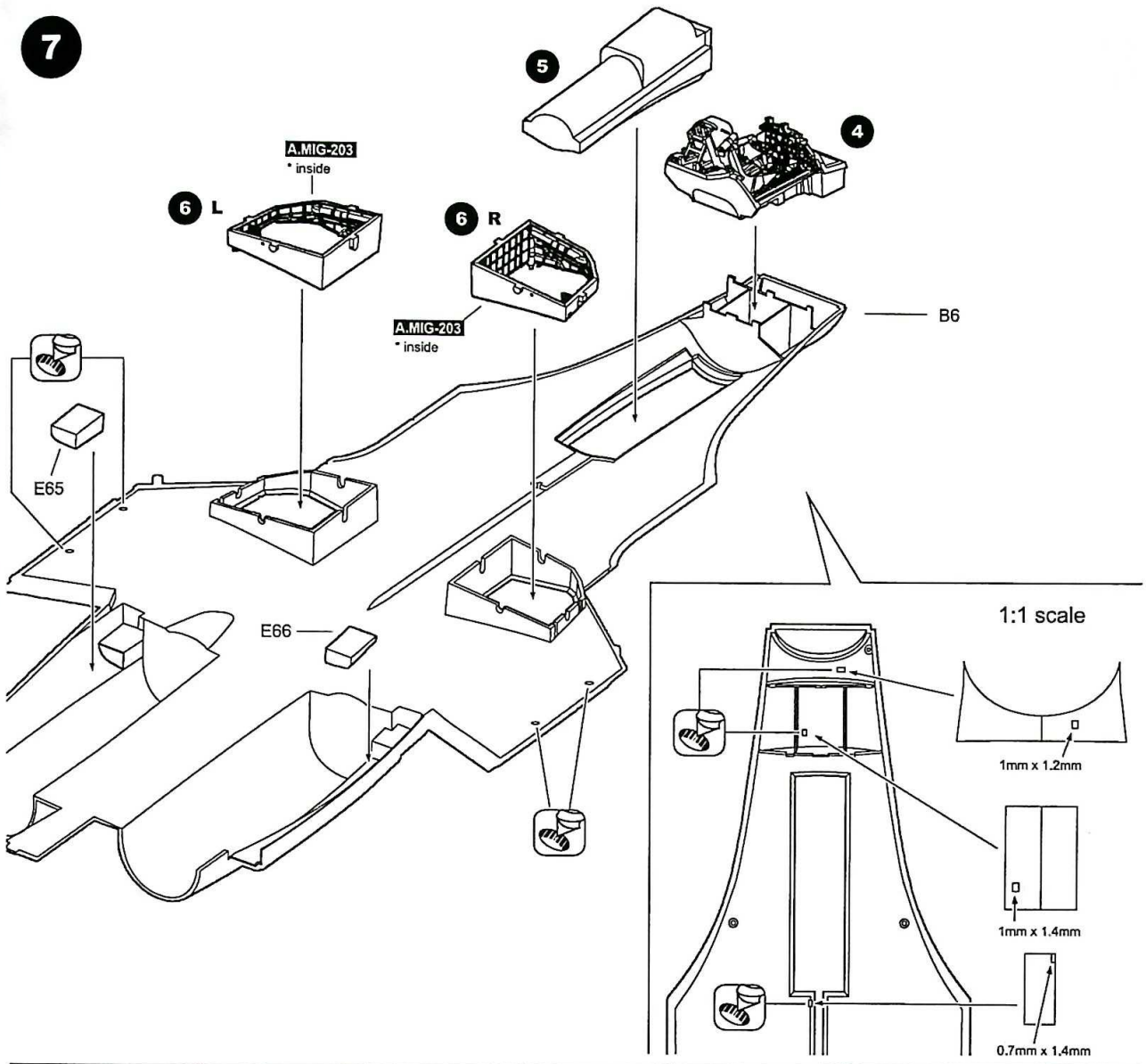
5



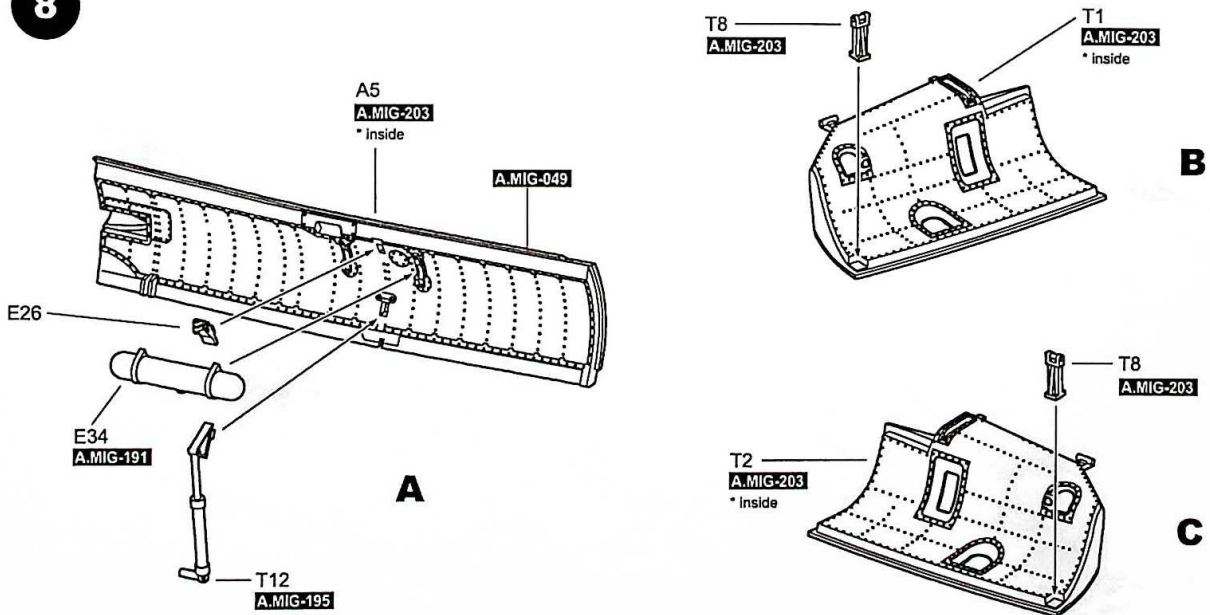
6



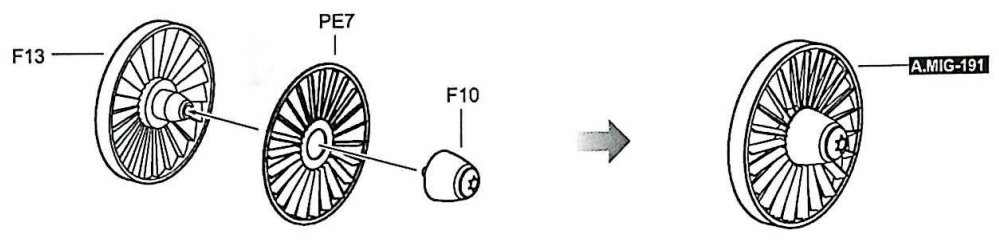
7



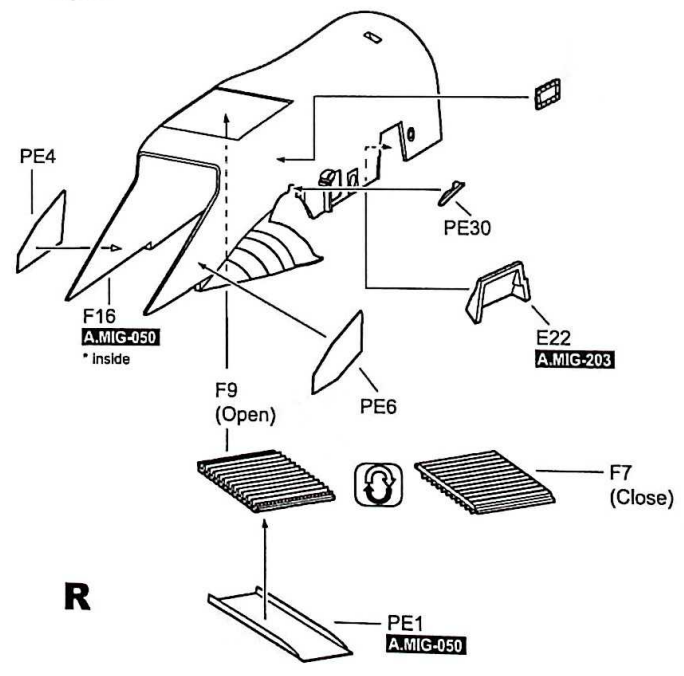
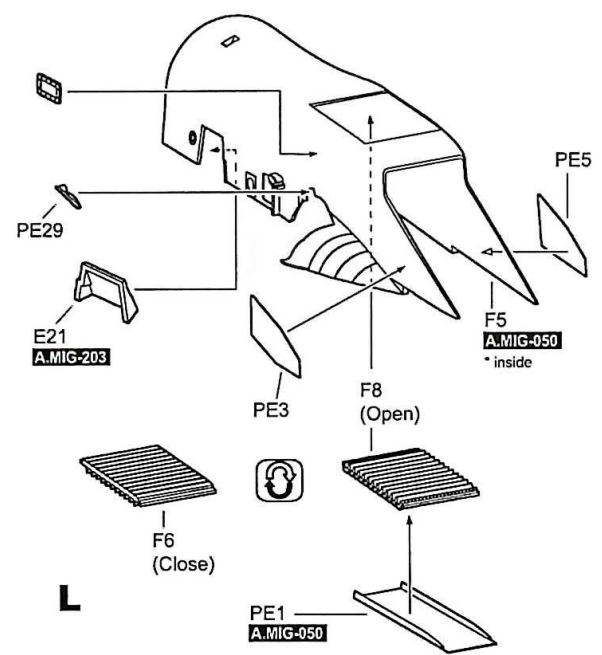
8



9 X2



10



11

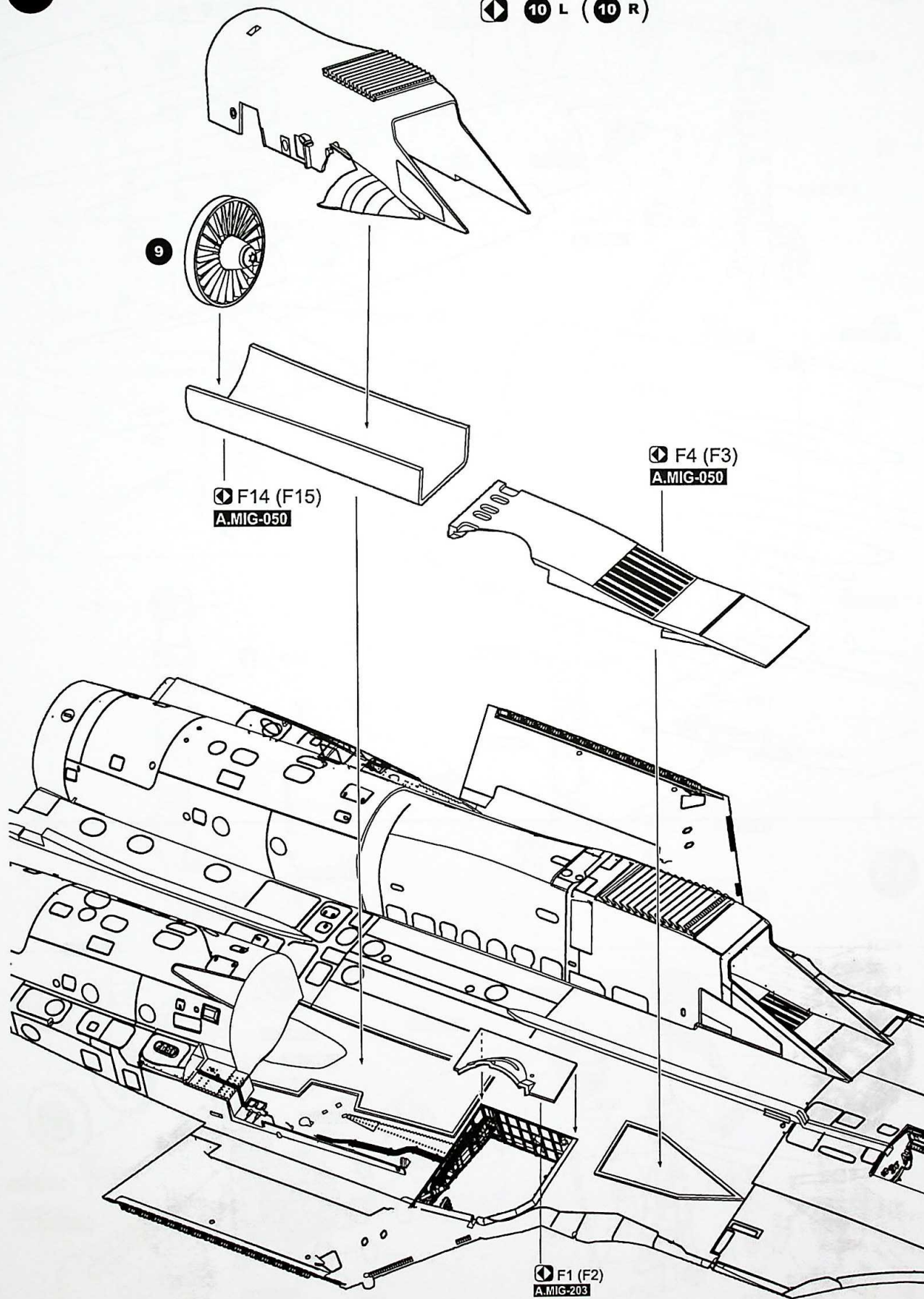
◀▶ 10 L (10 R)

9

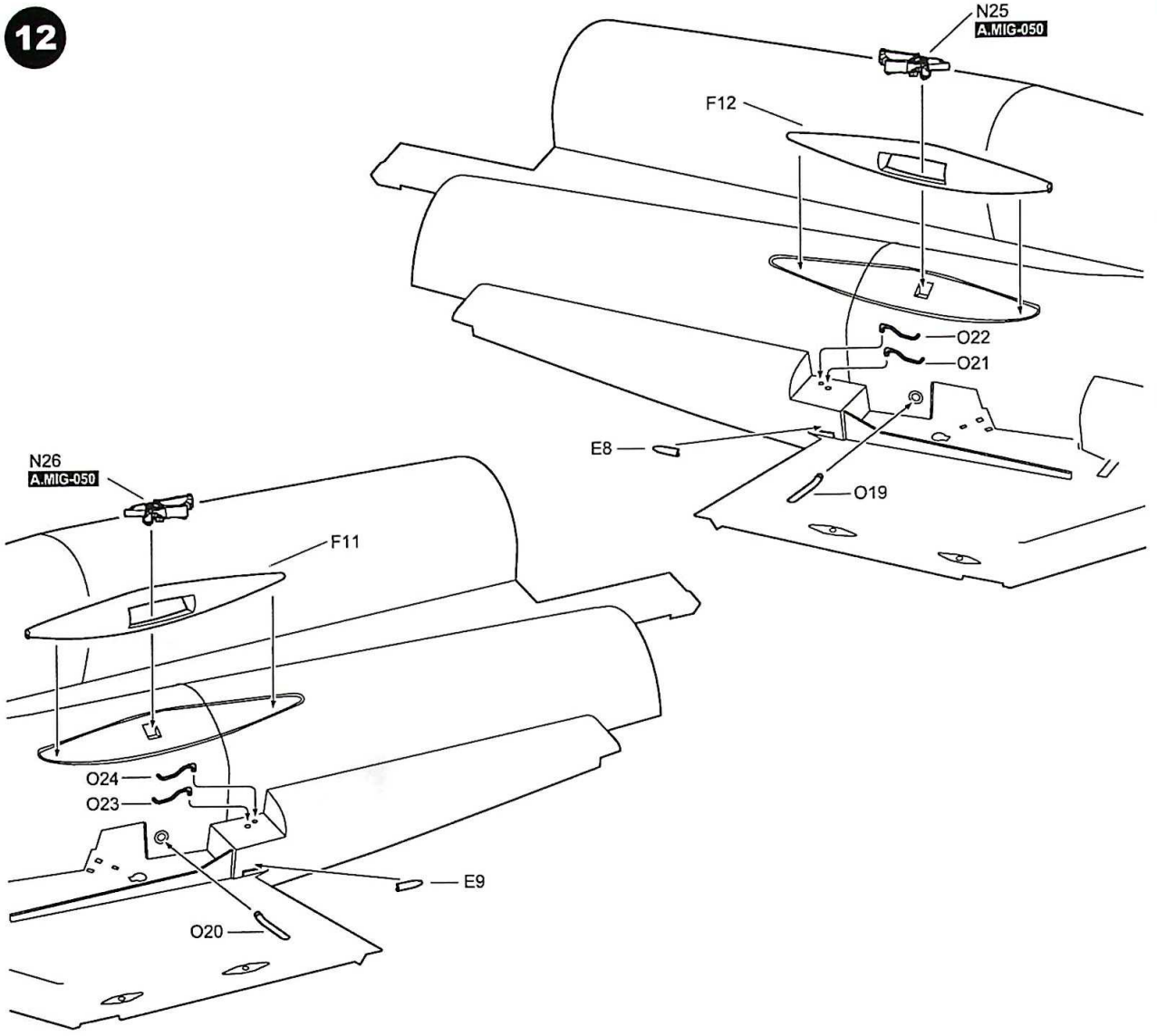
◀▶ F14 (F15)
A.MIG-050

◀▶ F4 (F3)
A.MIG-050

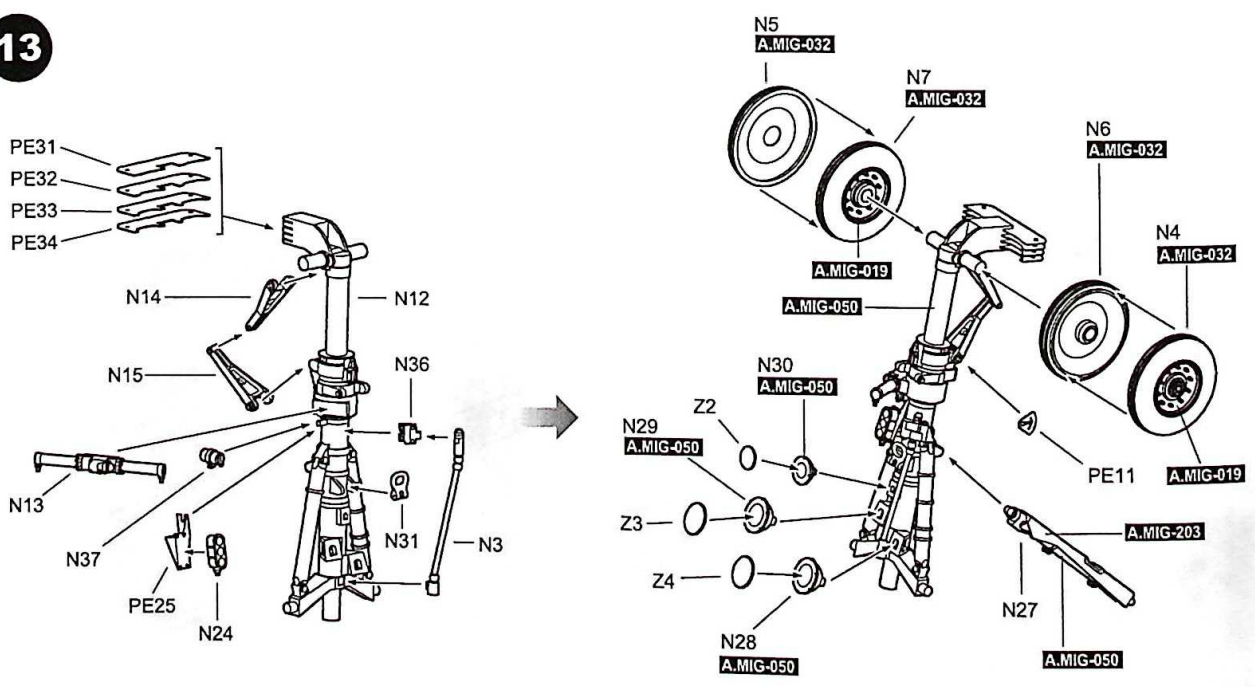
◀▶ F1 (F2)
A.MIG-203
* inside



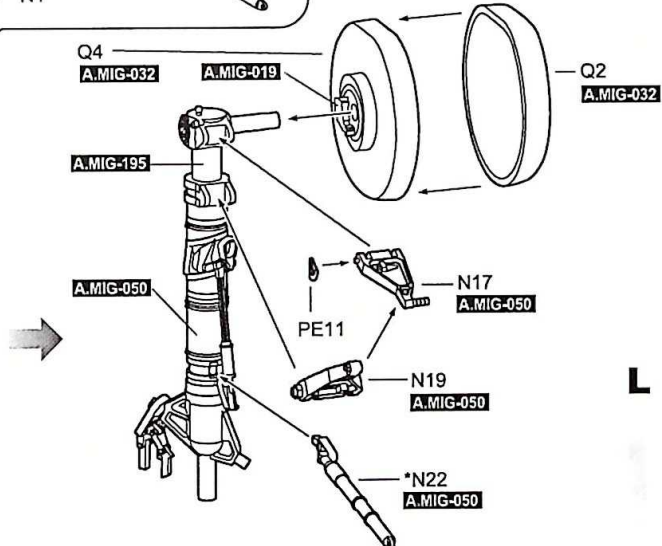
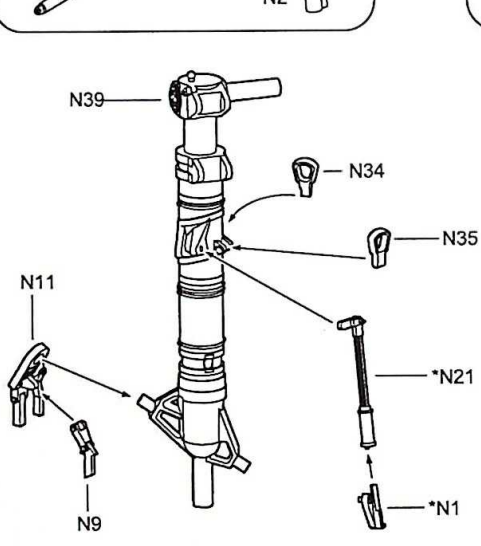
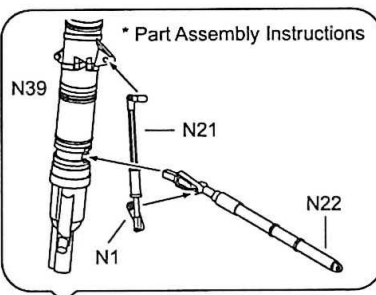
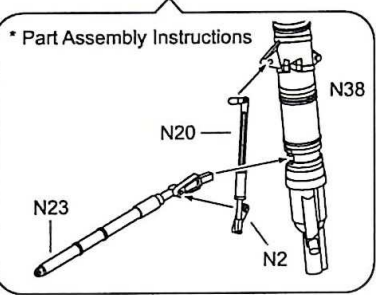
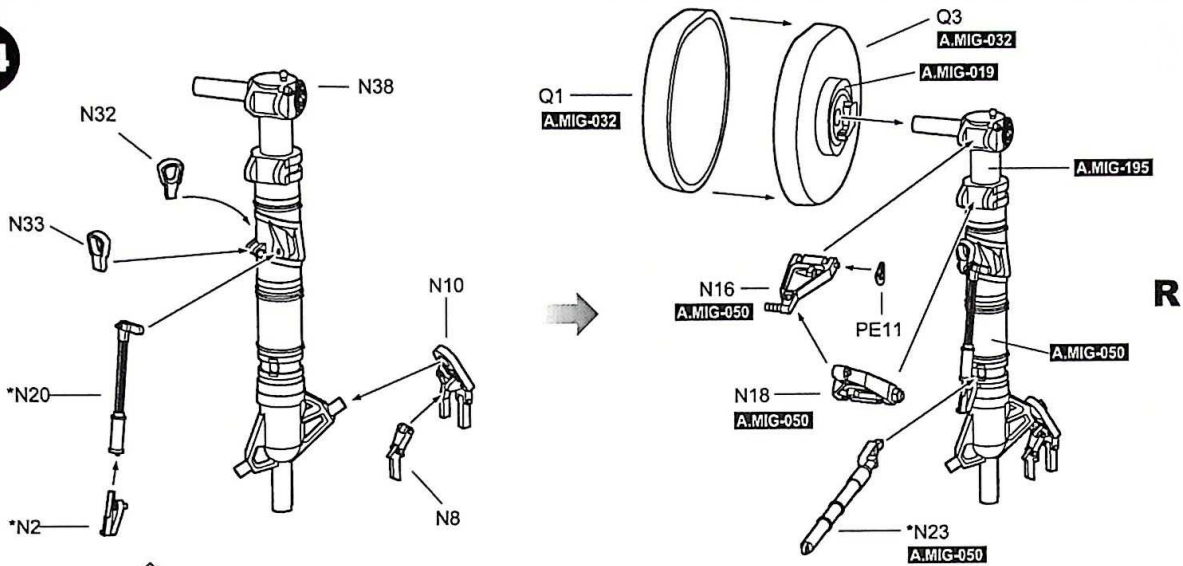
12



13

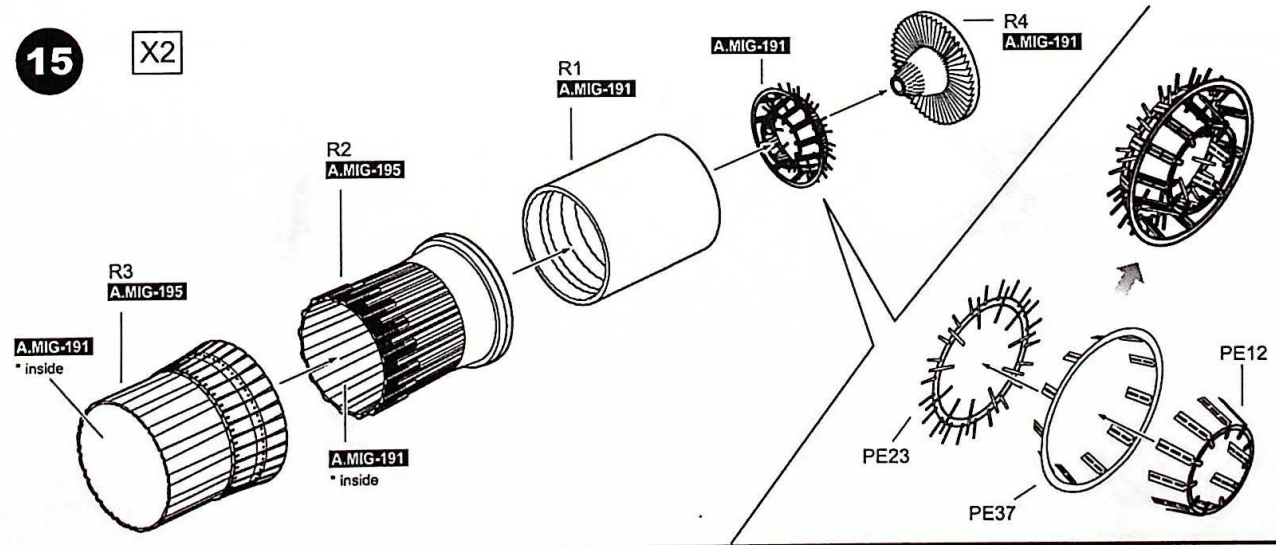


14

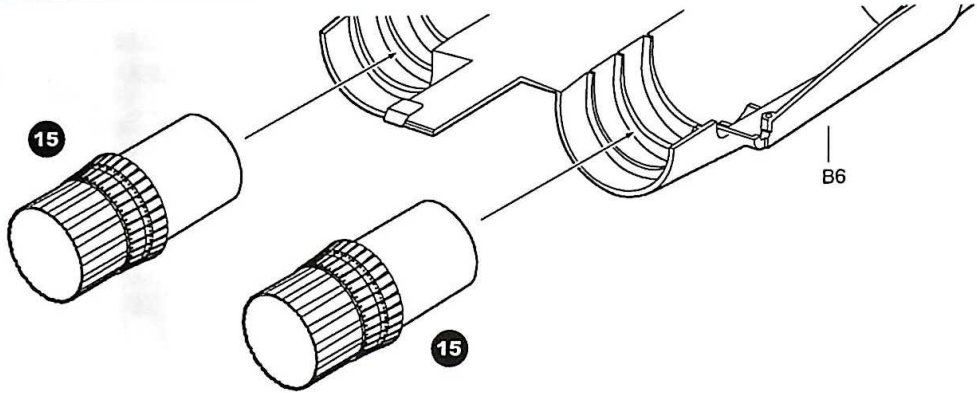


15

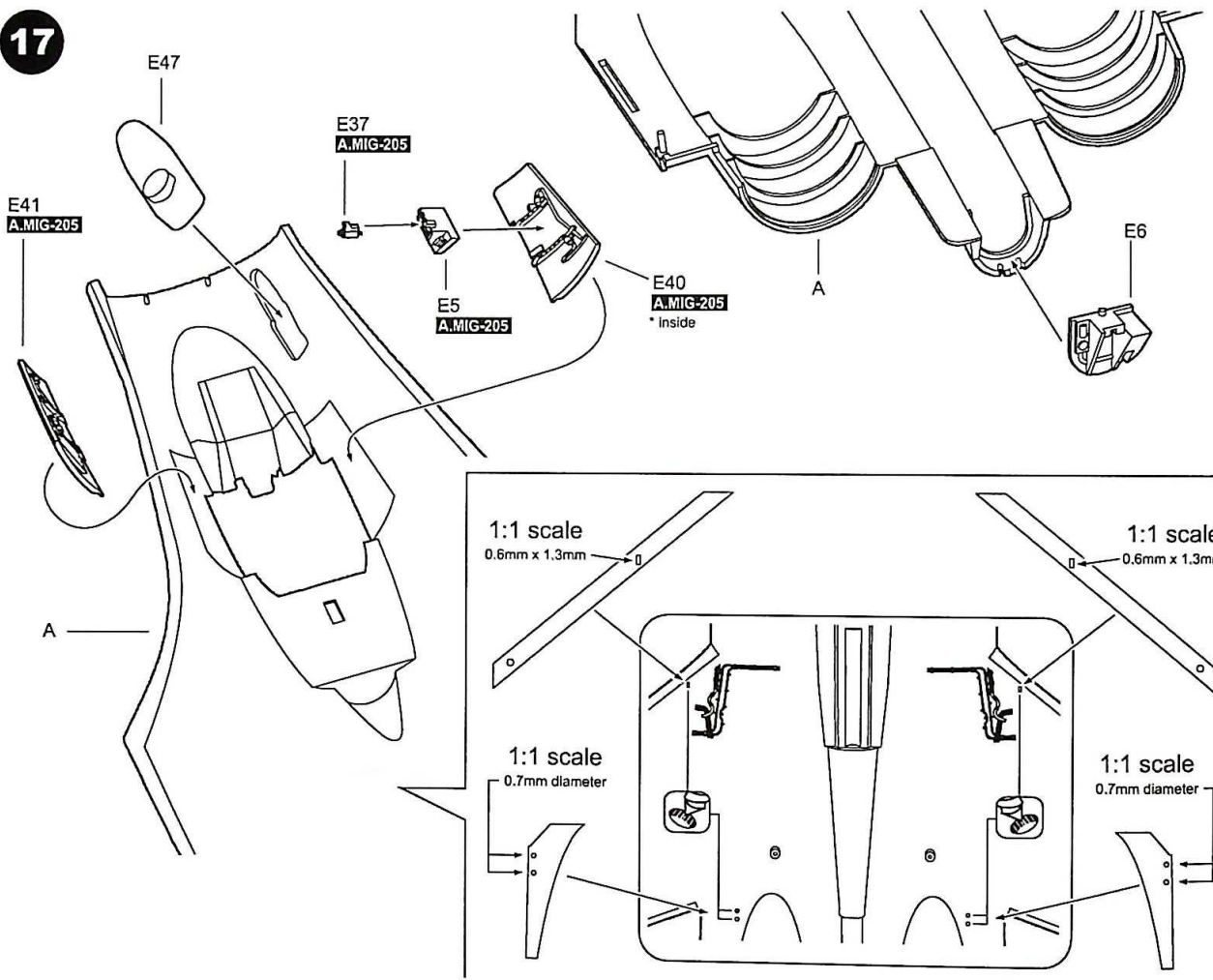
X2



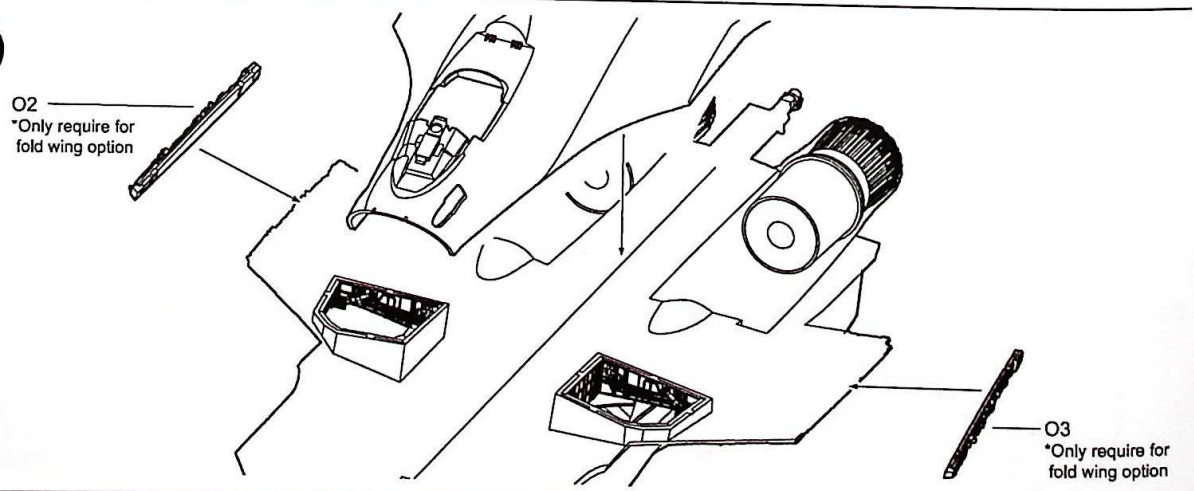
16



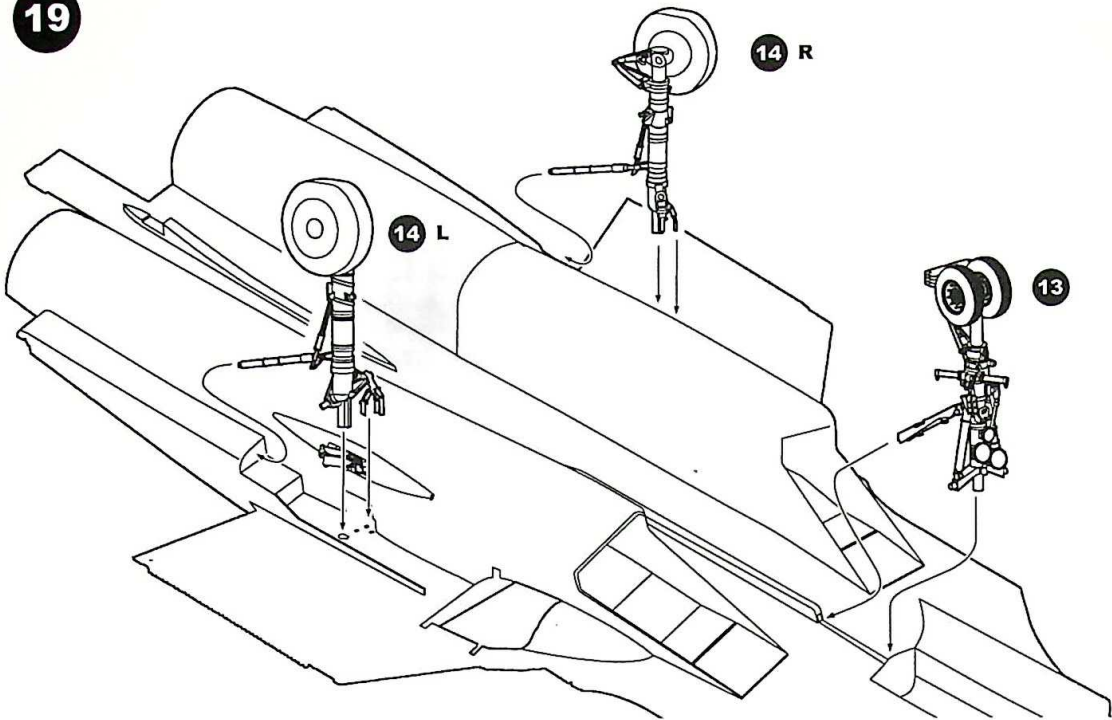
17



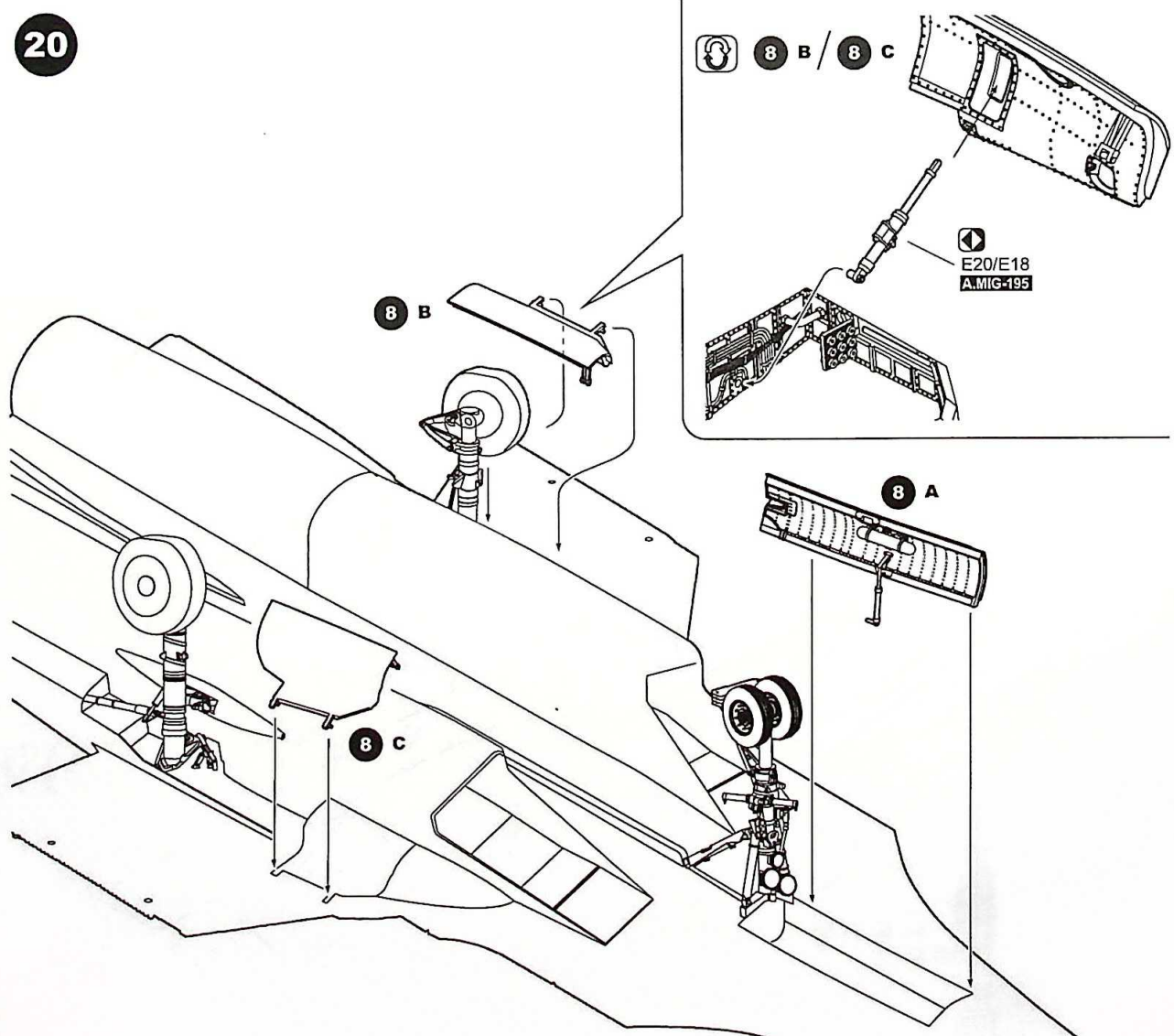
18



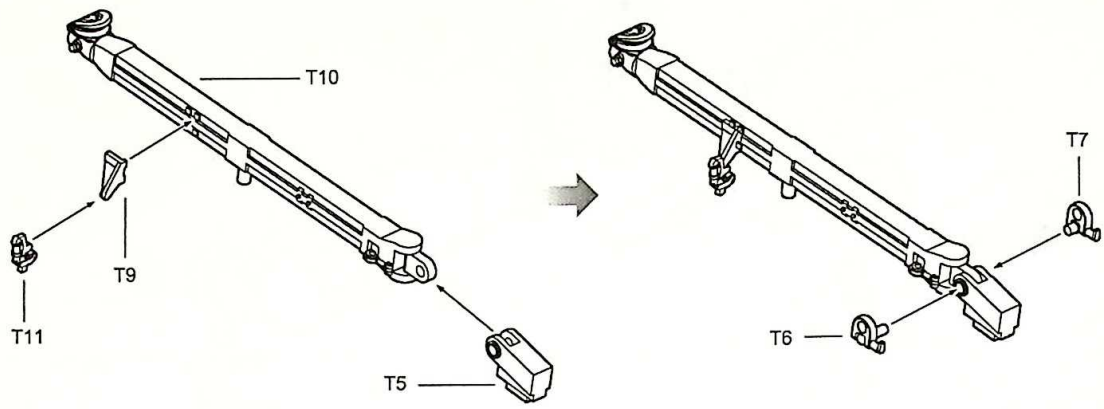
19



20

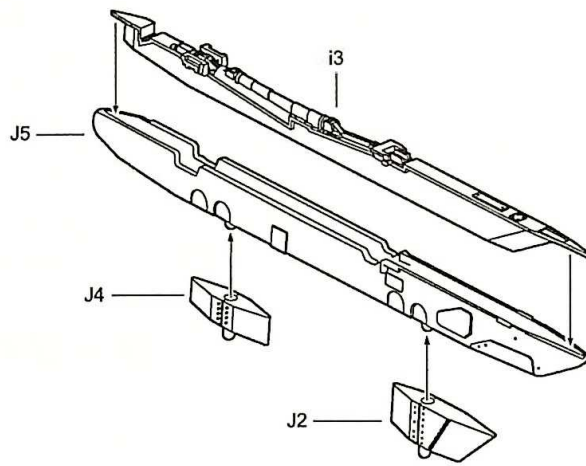


21

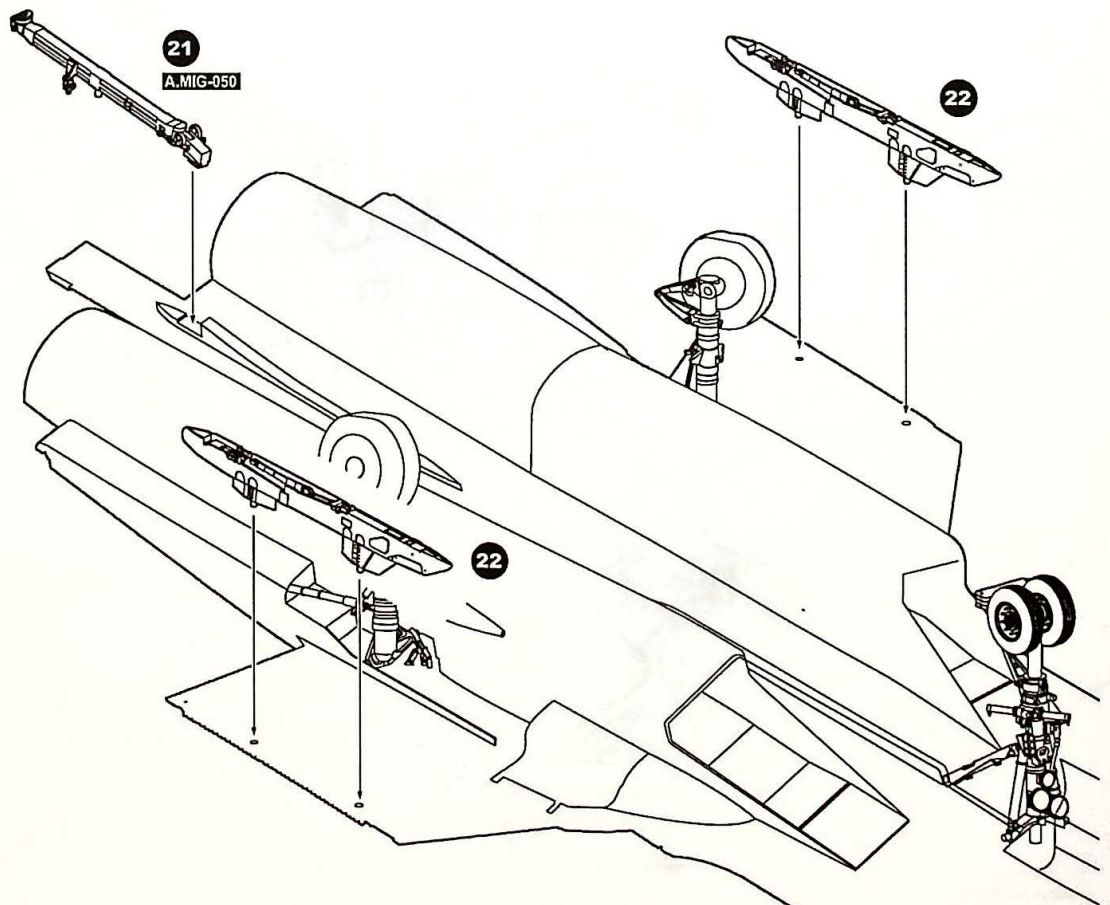


22

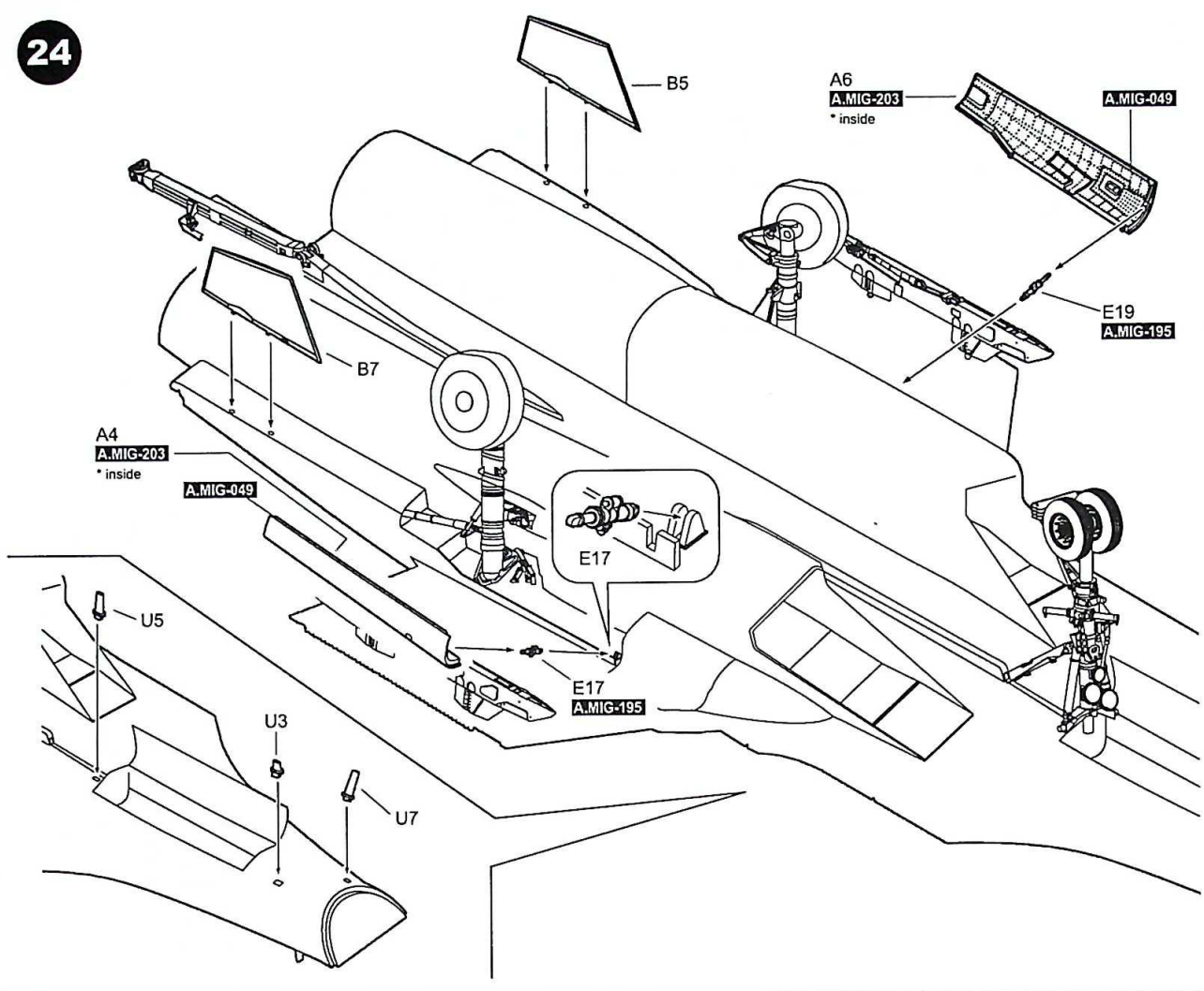
X2



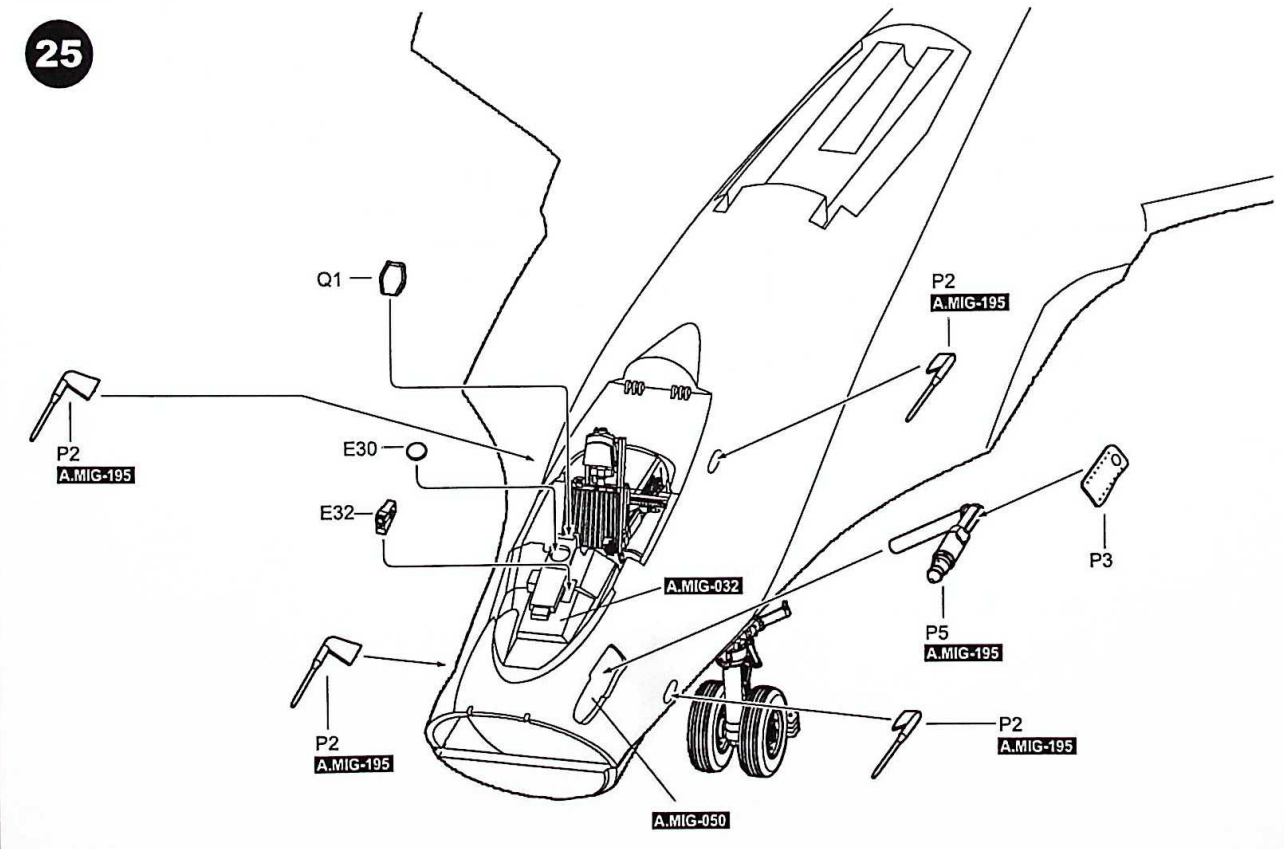
23

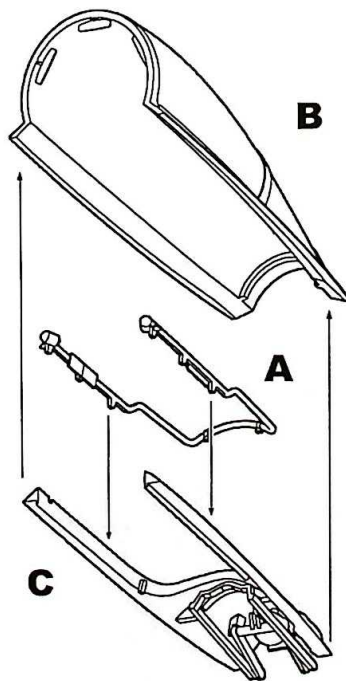
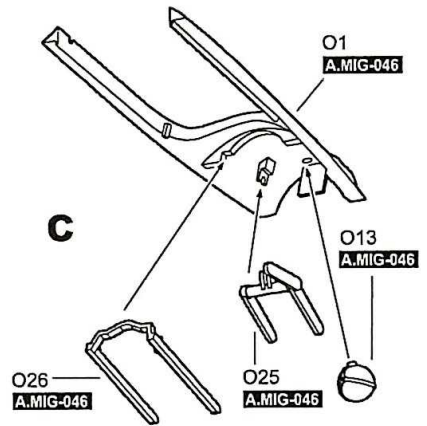
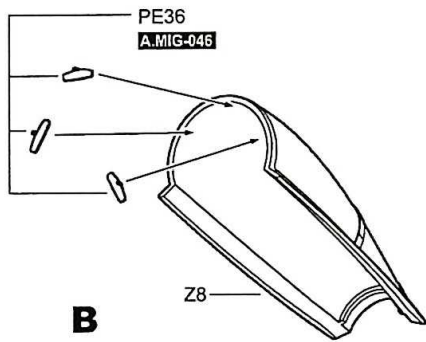
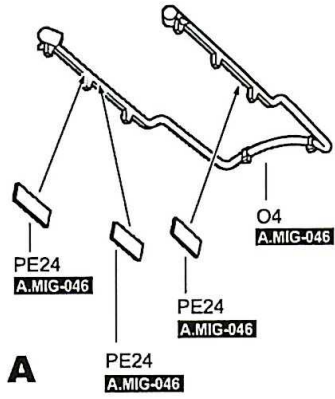


24

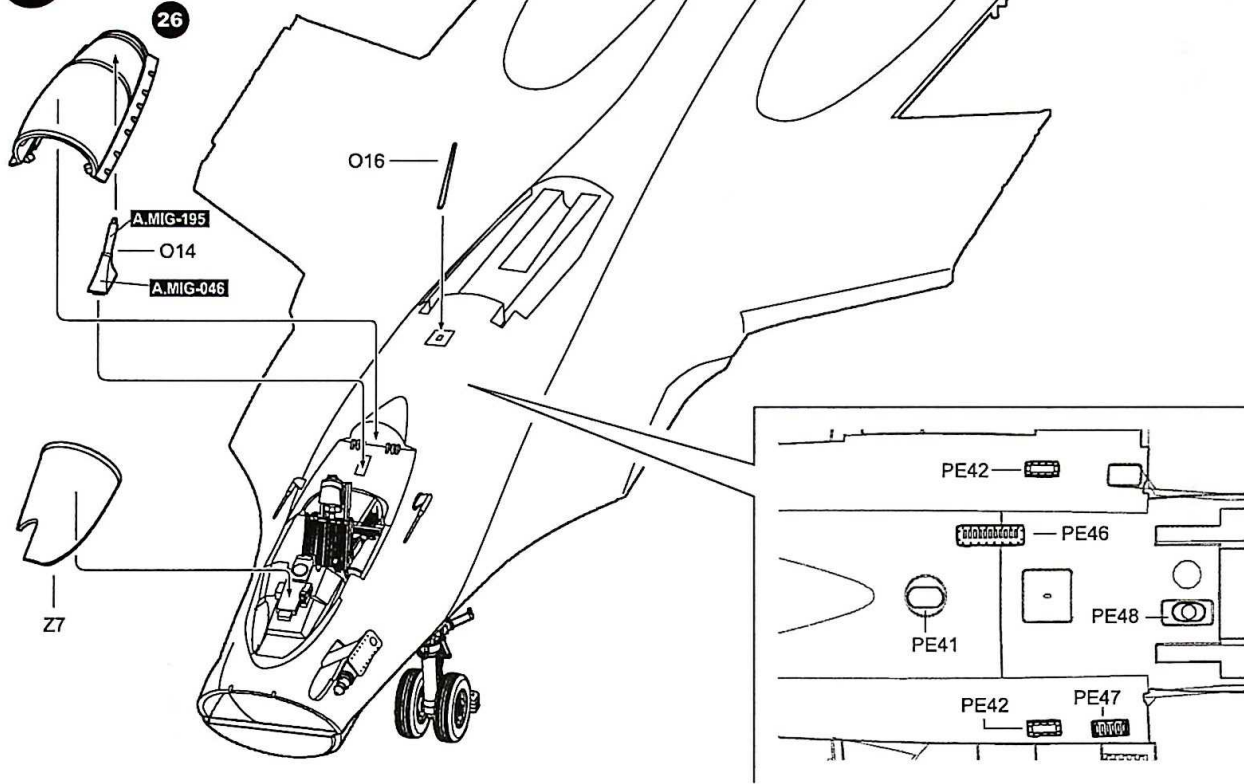


25

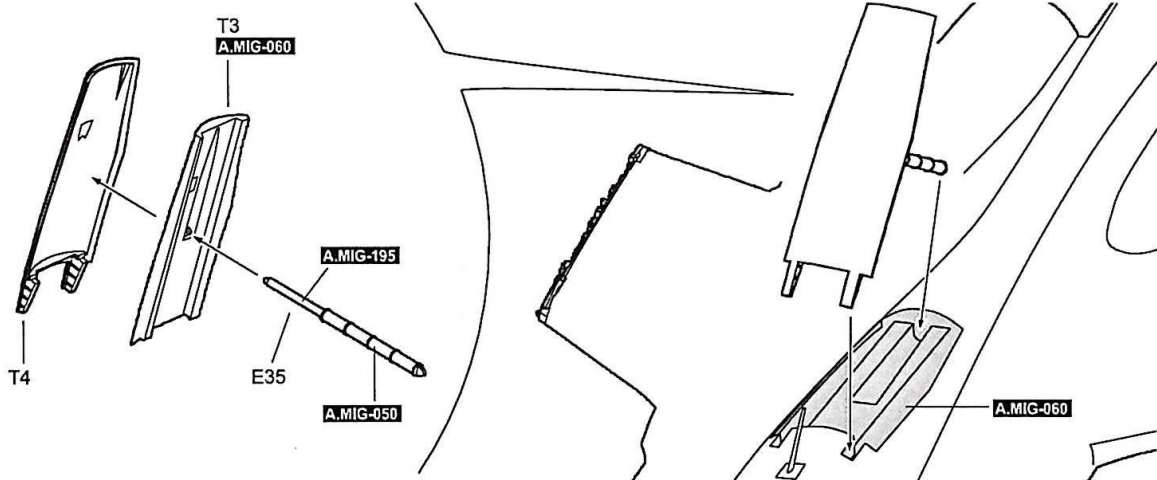




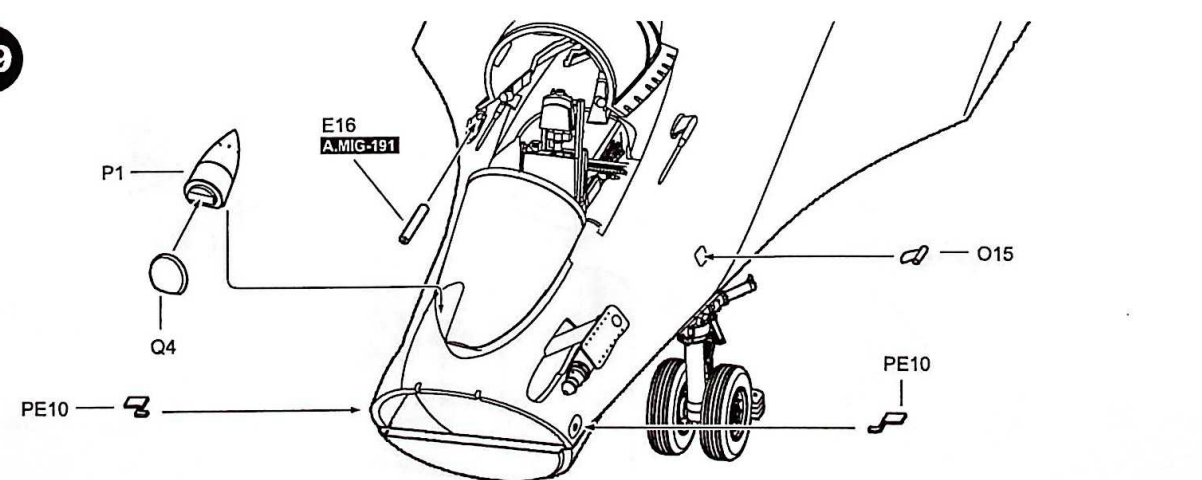
27



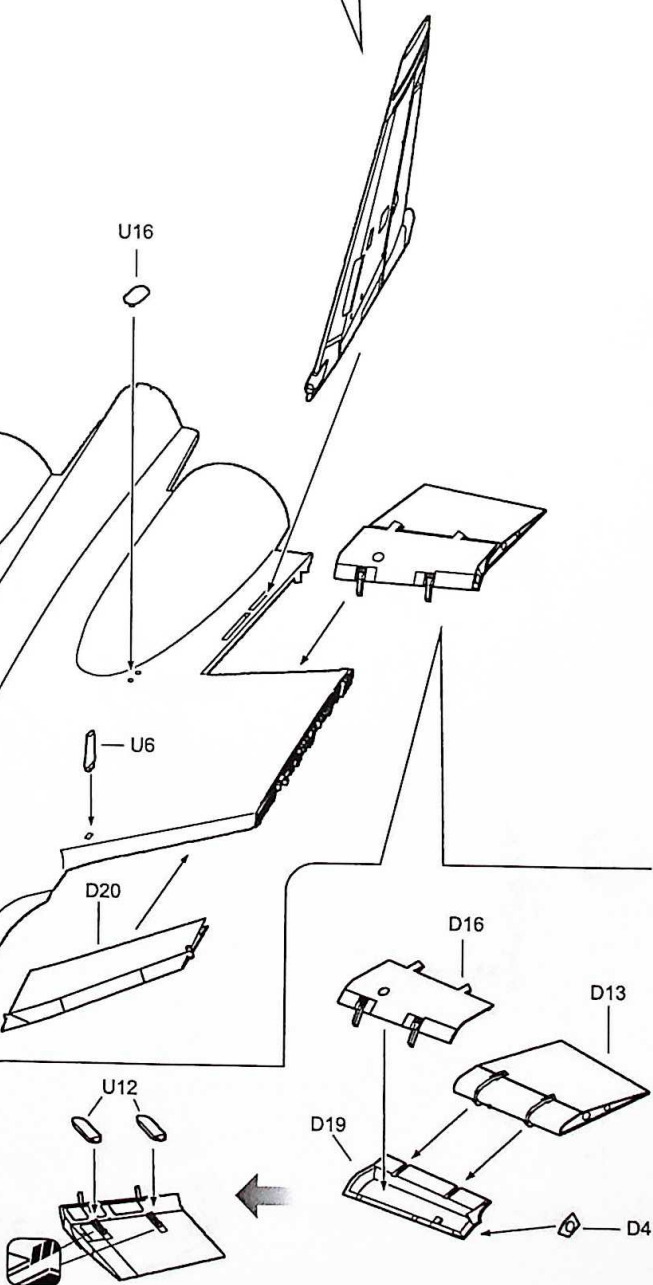
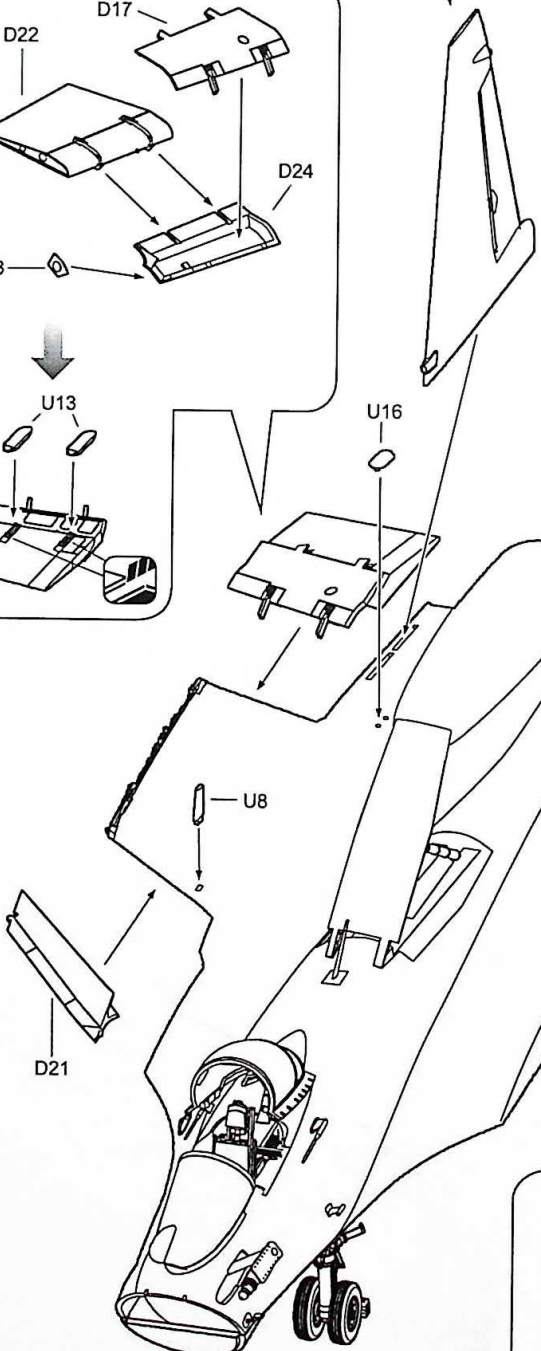
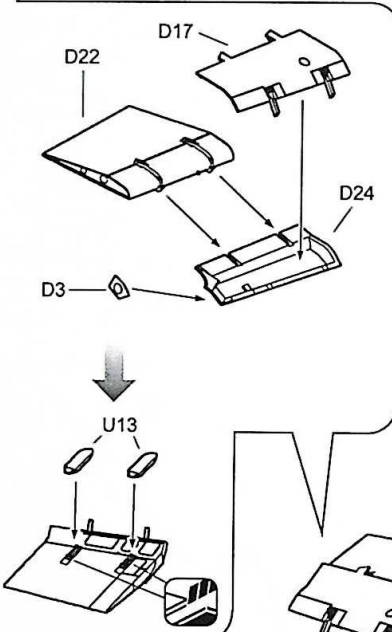
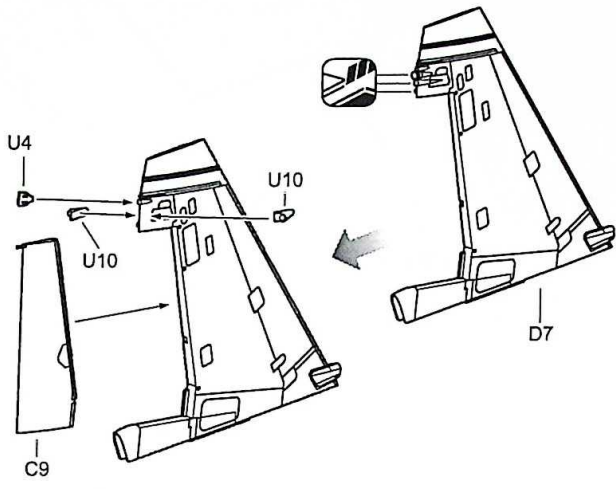
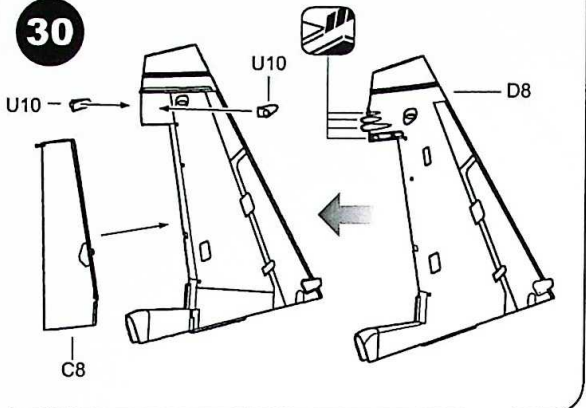
28



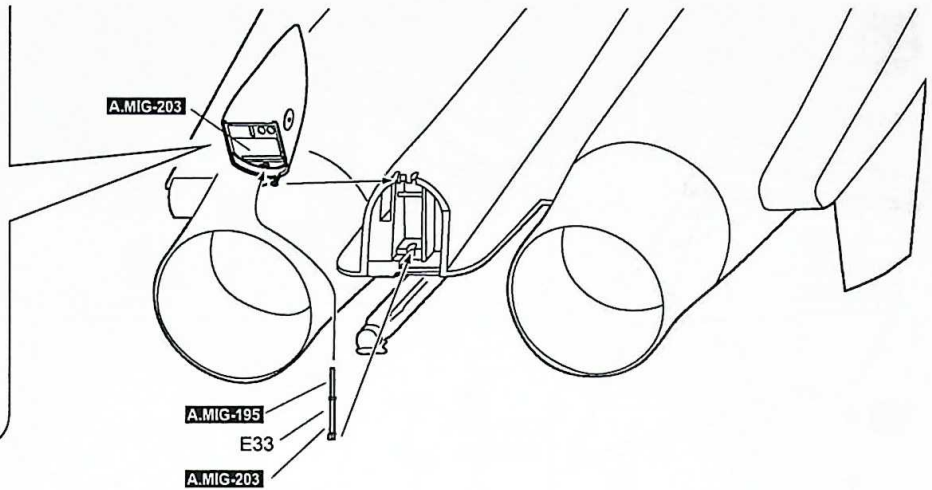
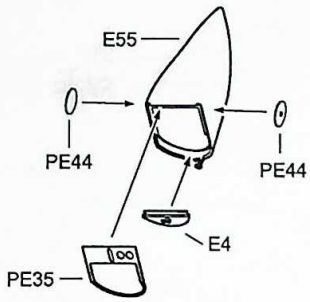
29



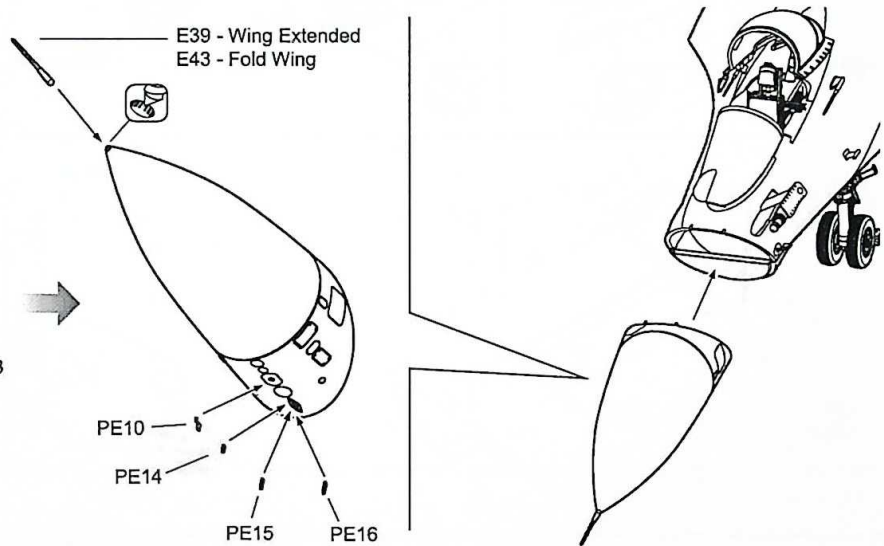
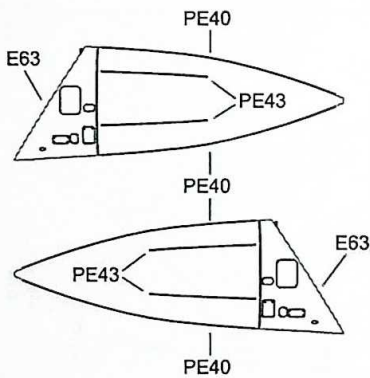
30



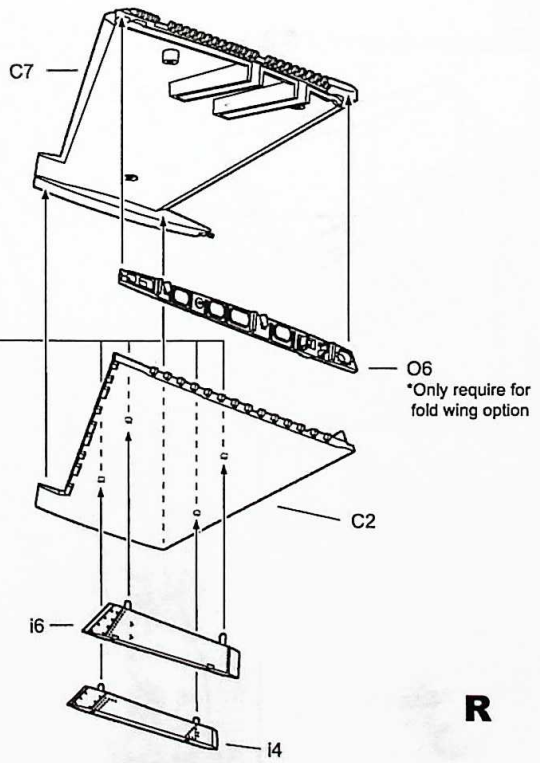
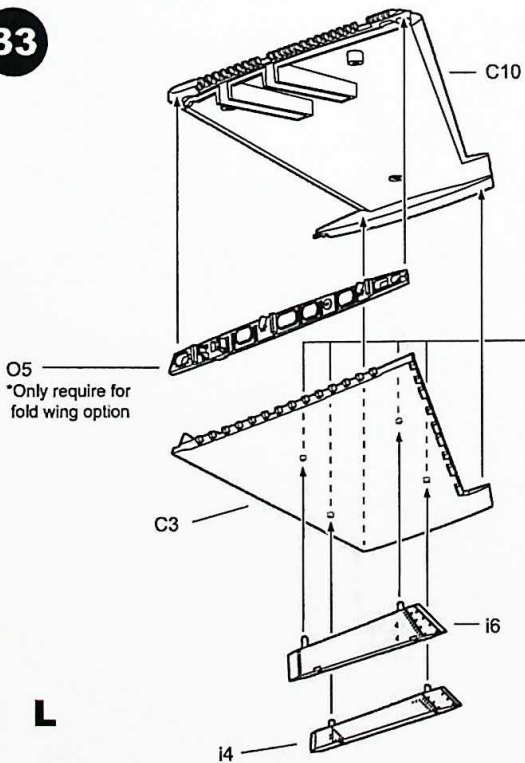
31



32

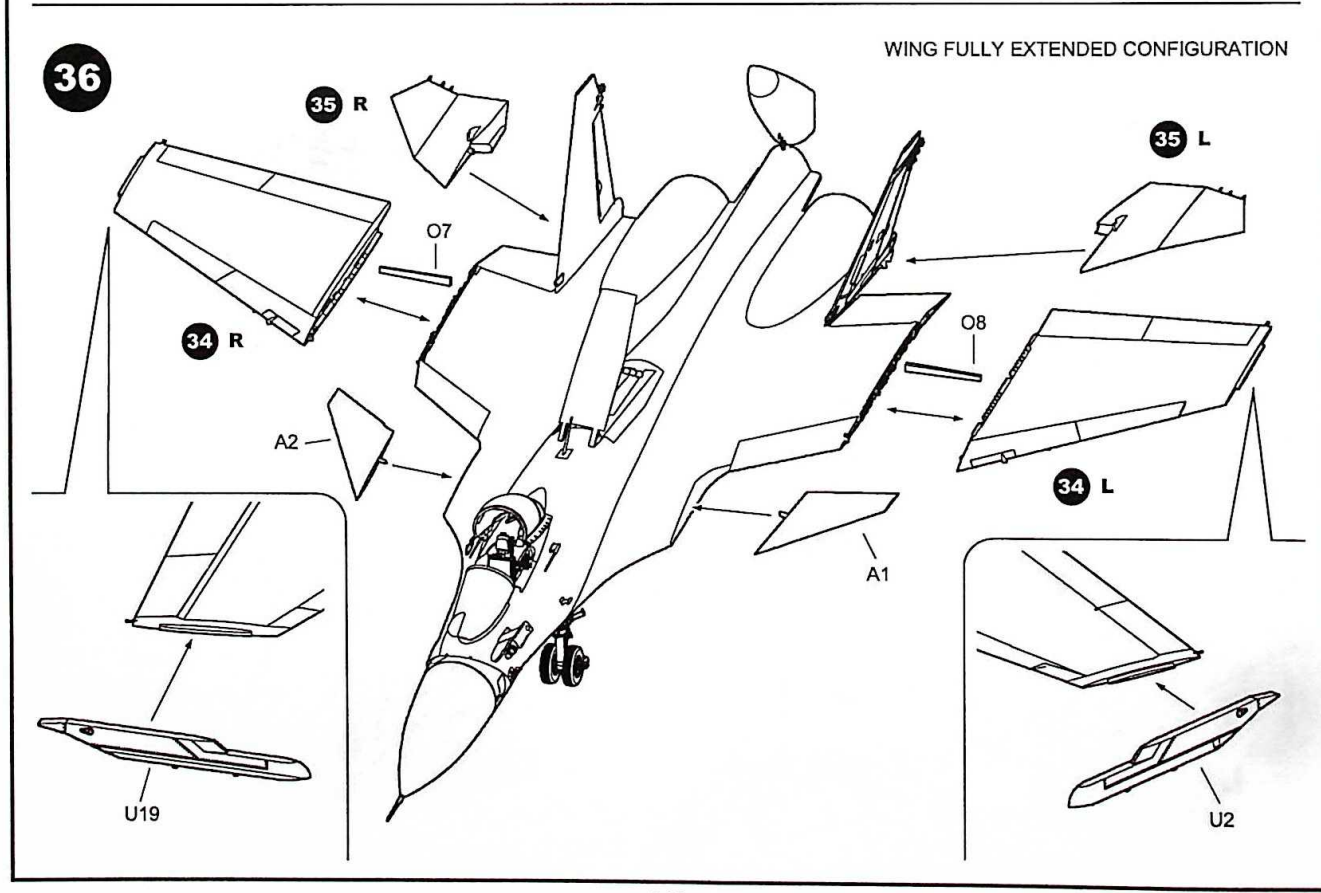
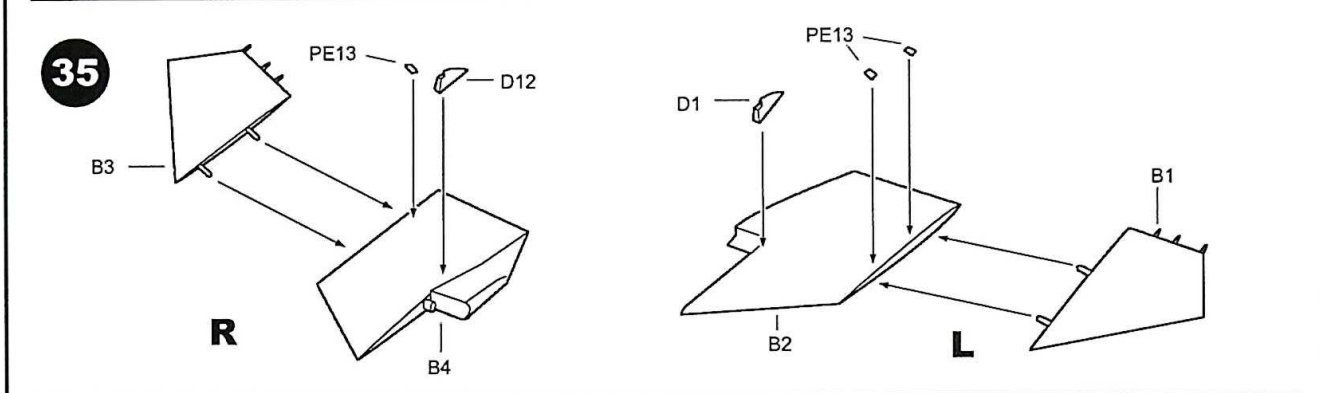
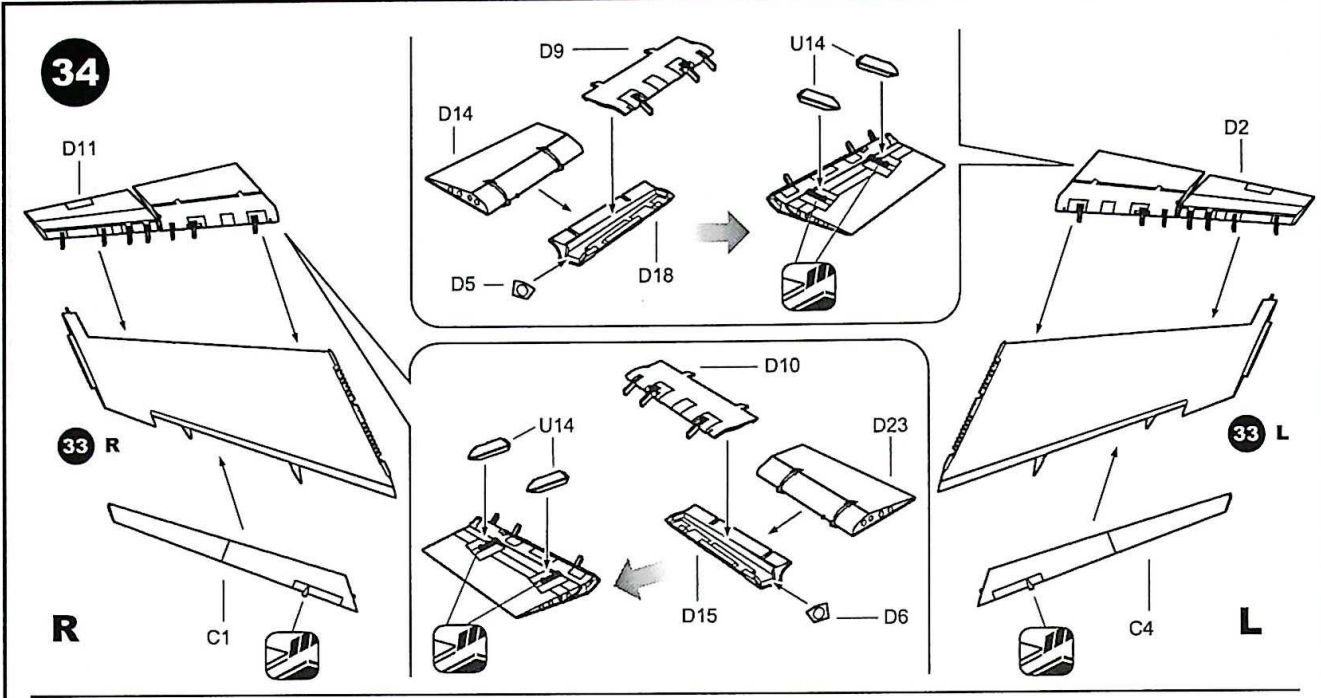


33



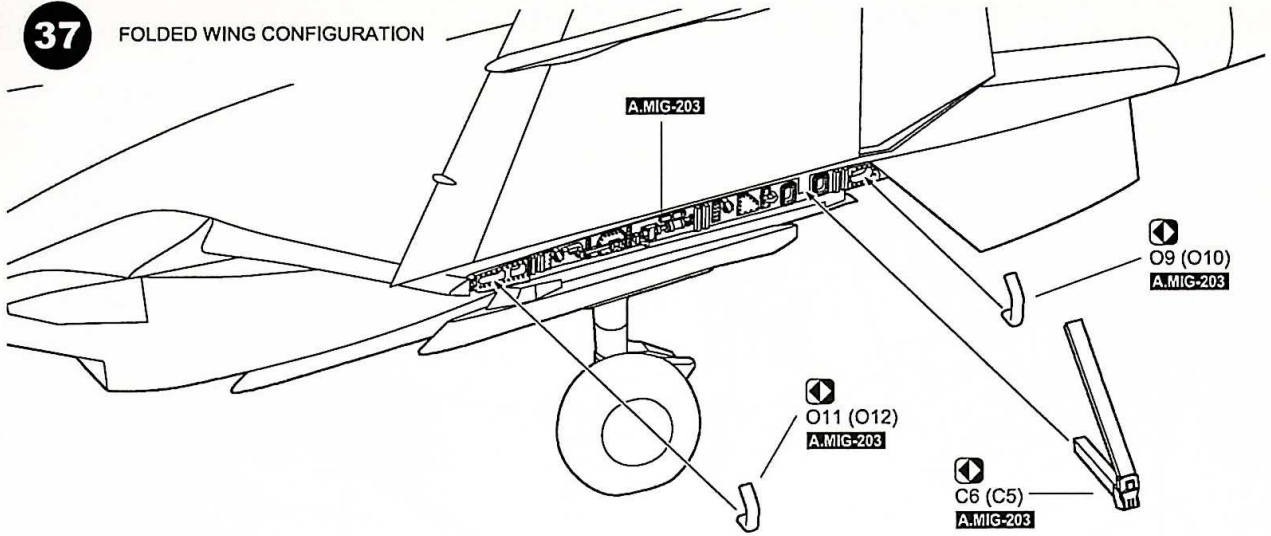
L

R

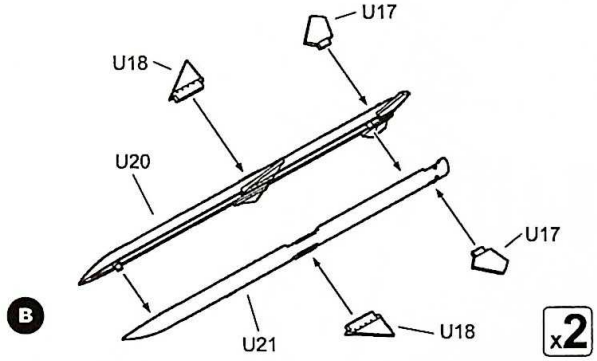
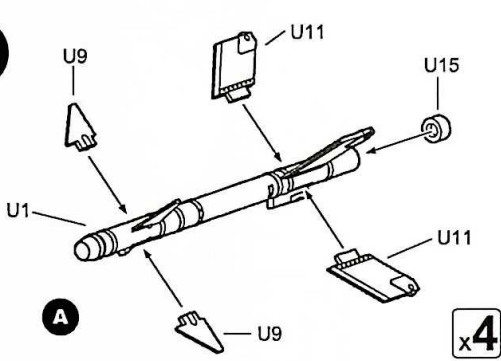


37

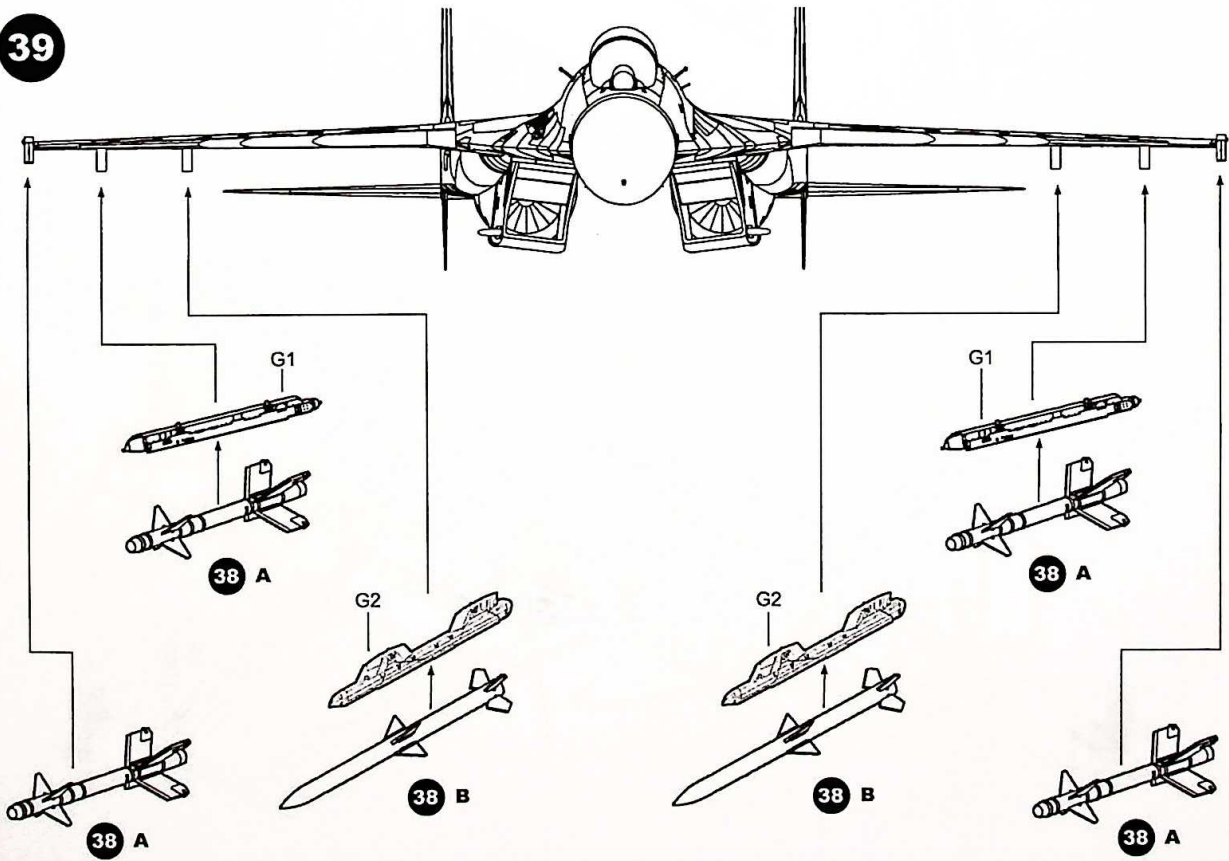
FOLDED WING CONFIGURATION



38

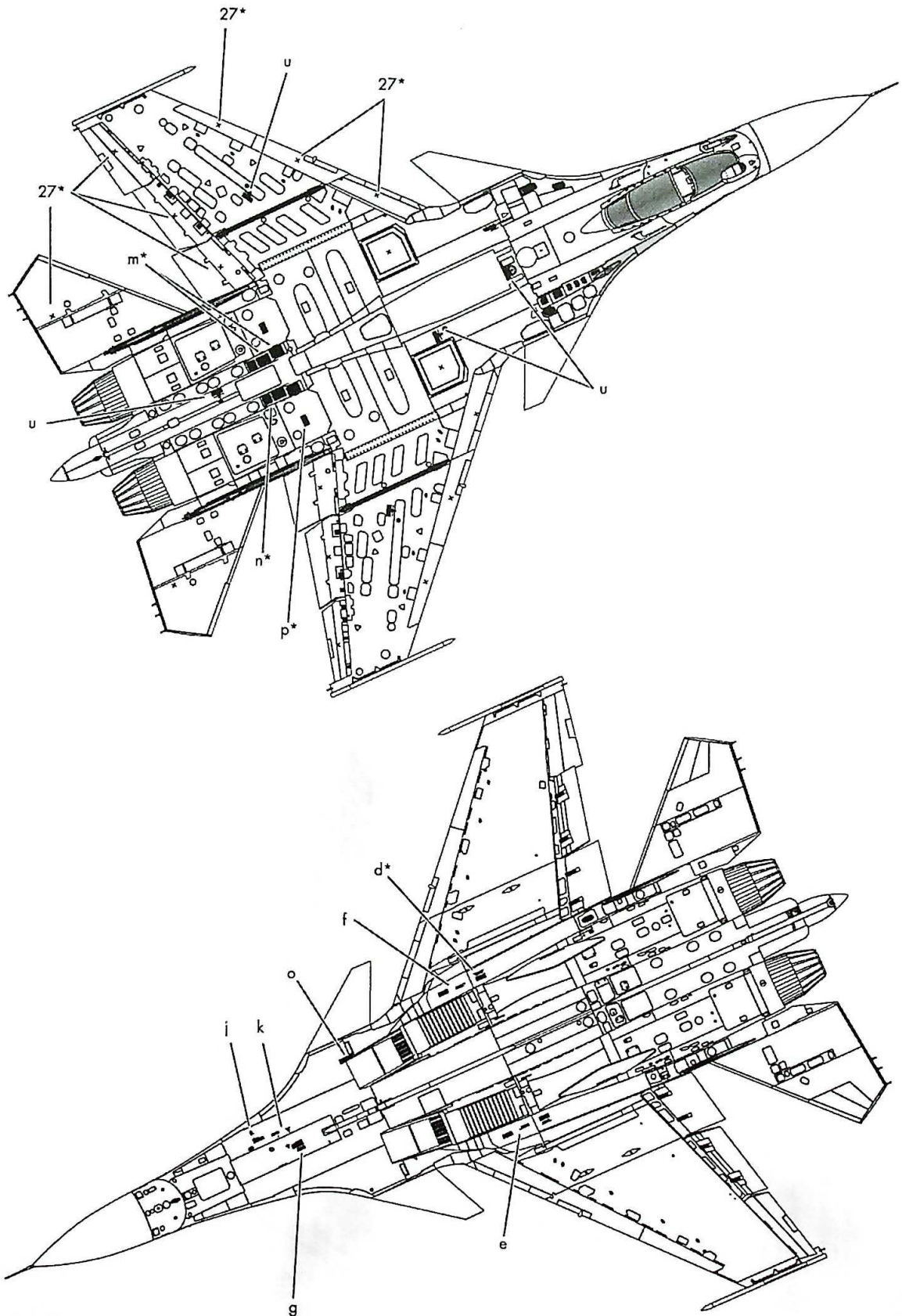


39



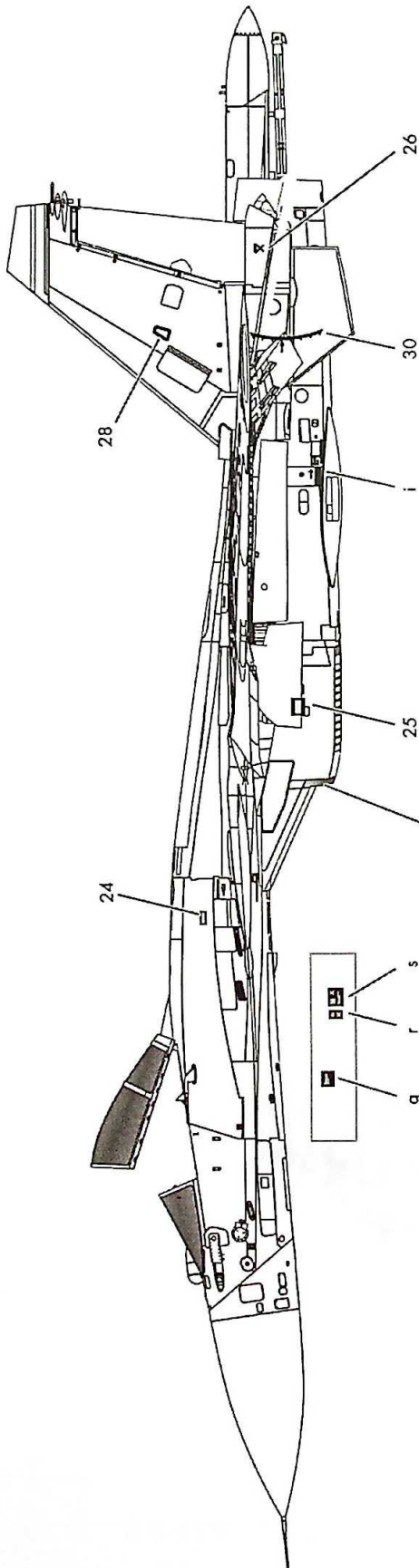
Common Stencils

通用标识



Common Stencils

通用标识



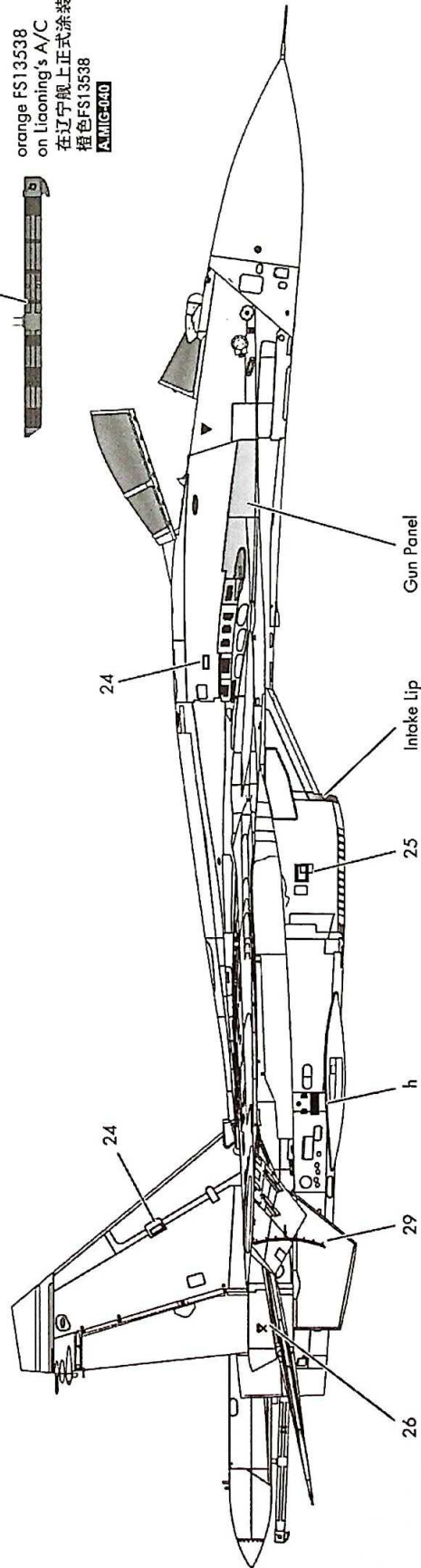
Intake Lip:
Gunmetal
进气唇:
枪金属色
A.MIG-045

拦阻钩 (T10)
Arresting Hook (T10)

机号552/554为白色
white on 552/554
A.MIG-047

or

orange FS13538
on Liaoning's A/C
在辽宁舰上正式涂装为
橙色FS13538
A.MIG-040

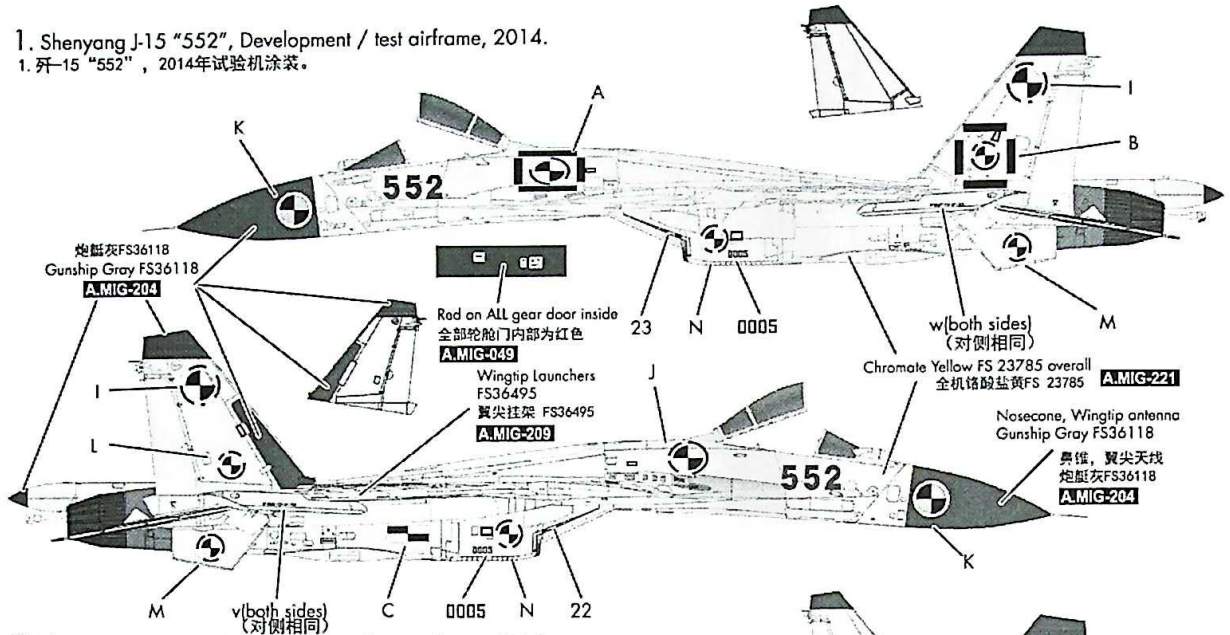


Gun Panel
Duralumin
防炮板:
铝色
A.MIG-184

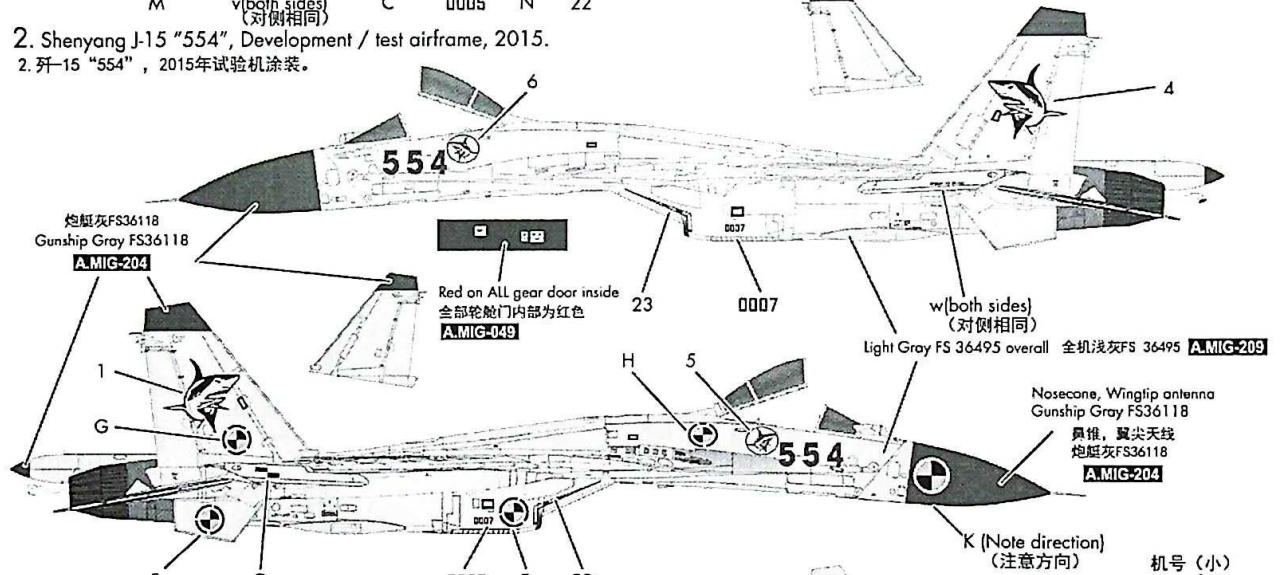
Intake lip
Gunmetal
进气唇:
枪金属色
A.MIG-045

1/48 SCALE AIRCRAFT SERIES NO: K48065

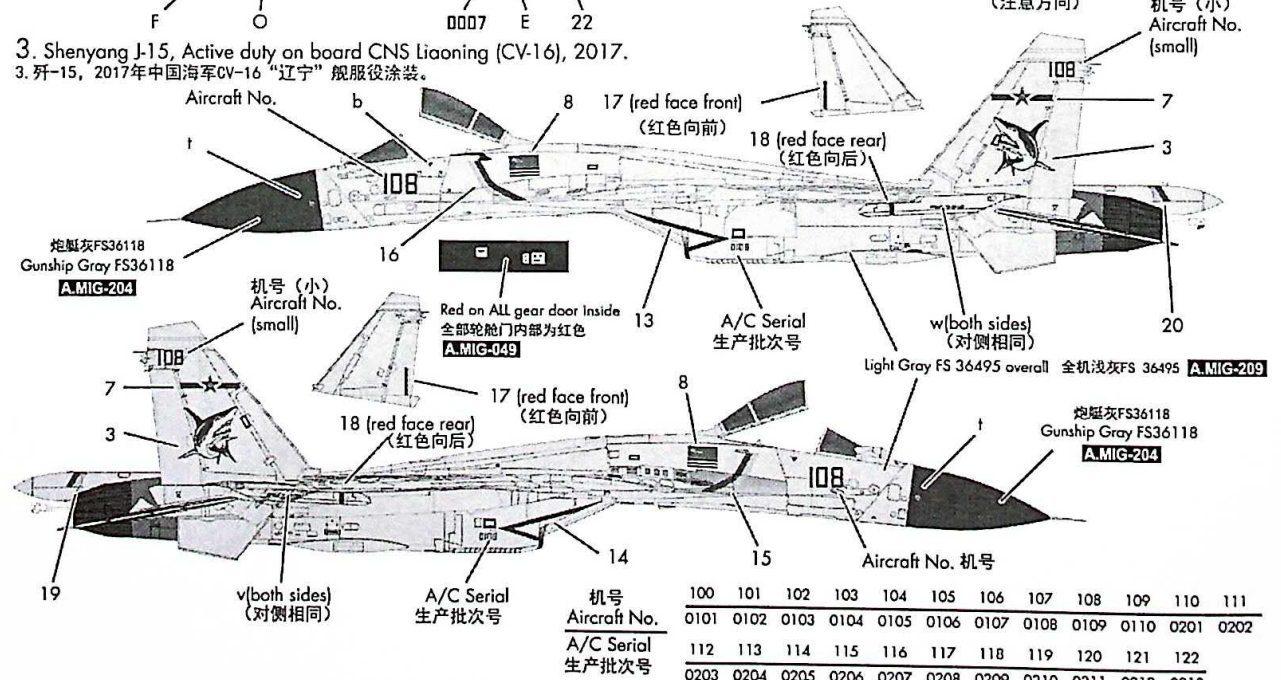
1. Shenyang J-15 "552", Development / test airframe, 2014.
1. 歼-15 "552", 2014年试验机涂装。



2. Shenyang J-15 "554", Development / test airframe, 2015.
2. 歼-15 "554", 2015年试验机涂装。

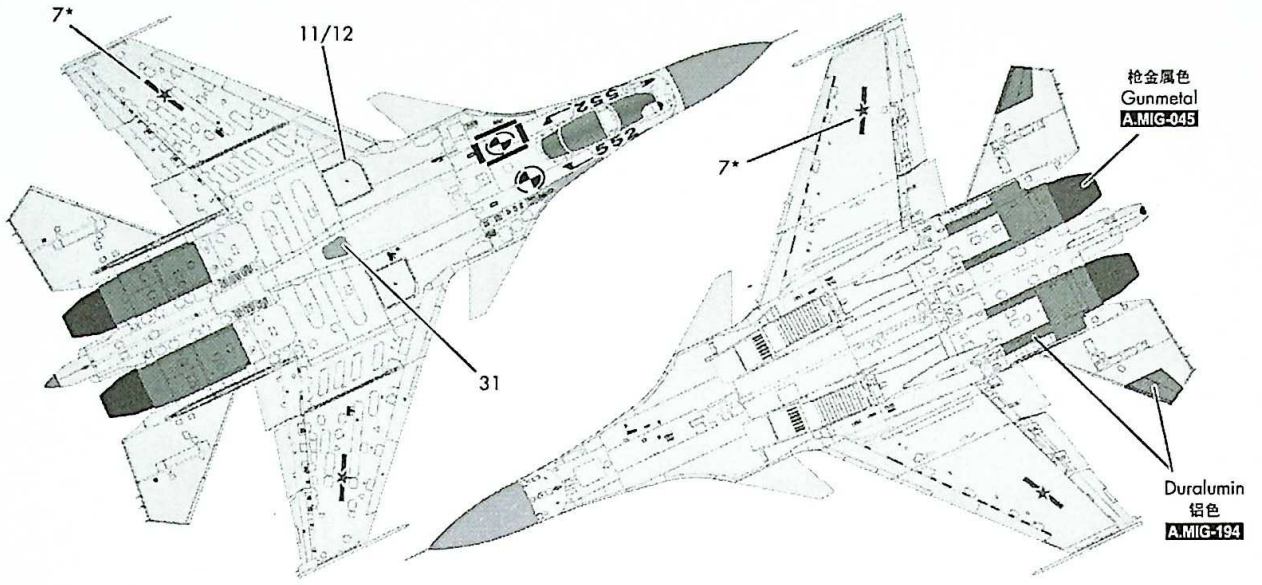


3. Shenyang J-15, Active duty on board CNS Liaoning (CV-16), 2017.
3. 歼-15, 2017年中国海军CV-16 "辽宁" 舰服役涂装。

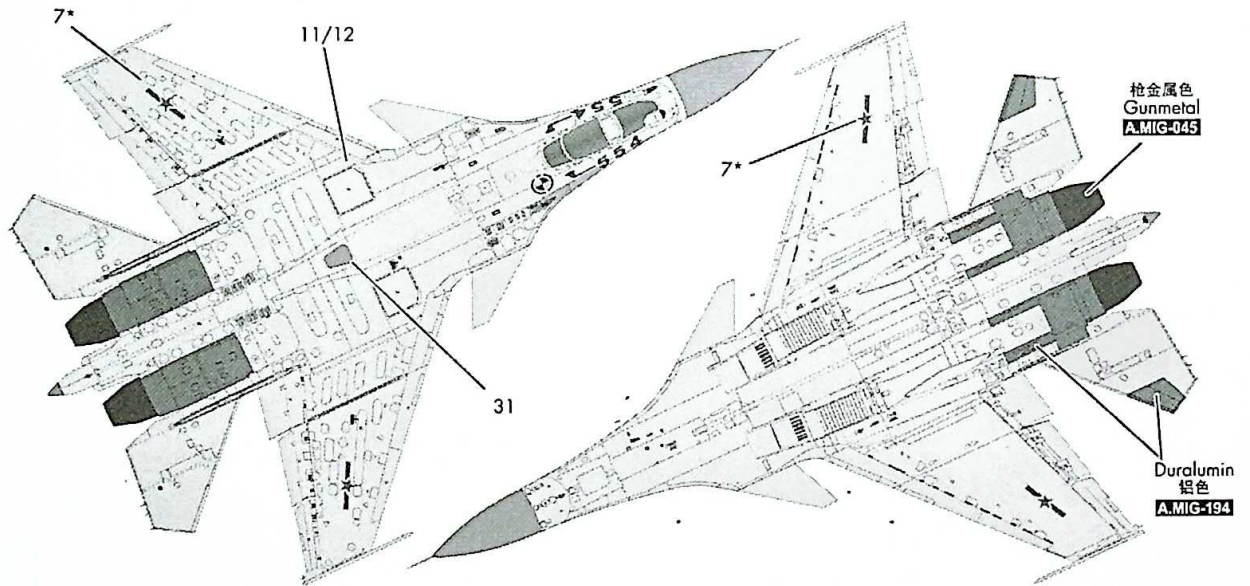


1/48 SCALE AIRCRAFT SERIES NO: K48065

1



2



3

