



US White 666 Cargo Truck(Hard Top)

アメリカ軍 ホワイト6トン6×6カーゴトラック 美国怀特666 6吨卡车 (硬顶)

PLEASE READ BEFORE OPERATION!

- * Tools recommended as below: (Not included)
Adhesives; Paints; Side Cutters; Sharp Edged Pliers; Modeling Knife; Modeling File; Nippers; Drill; Scissors; Sand Paper; Soft Cloth; Cyanoacrylate Glue.
- * Make sure to read this instruction listed below before assembling.
- * The kit contains the small parts, they can be dangerous if swallowed by mistake, so keep them away from reach of children.
- * Cut the all parts off carefully and remove the waste parts into the garbage can.
- * More caution and care should be needed for cutting and handling the photo etched parts.
- * Make attention that some parts should be attached the decal when assembled.
- * During assembling, please tear up and throw away the plastic bags, or may cause the dangerous if wearing over head by children's mistake.
- * When using the adhesives and paints, please do not use them in the closed room or near the fire, also must be very careful to protect your eyes, face and clothes.
- * Adult supervised when assembled by children under 14 years old.

装配前请仔细阅读:

- * 推荐使用的模型工具(请自备):
专用模型胶水, 专用模型油漆, 水口剪刀, 长咀钳, 刀片, 锉刀, 镊子钳, 钻, 剪刀, 软布, 砂纸, 瞬间快干胶等。
- * 用水口剪刀或刀片小心切下所有塑胶零件和蚀刻片零件, 不要遗失小零件。
- * 切取蚀刻片时应特别注意防止利边划伤手指。
- * 用模型锉刀小心锉平所有零件表面的注射浇口。
- * 用适量的强力快干胶水粘合蚀刻片零件和金属轴, 切忌过量, 否则可能导致可动零件被粘住。
- * 注意某些零件表面需在装配时同步贴水上贴纸。
- * 制作时应远离幼儿并将包装袋及时收妥, 谨防小孩玩耍而引起意外。



cyanoacrylate glue
强力胶



weight
配重



make hole
钻孔



cut / remove
切除



option
选择



no cement
不涂胶水



decal
贴纸



bend
弯曲



repair
填补

The method to apply the decals

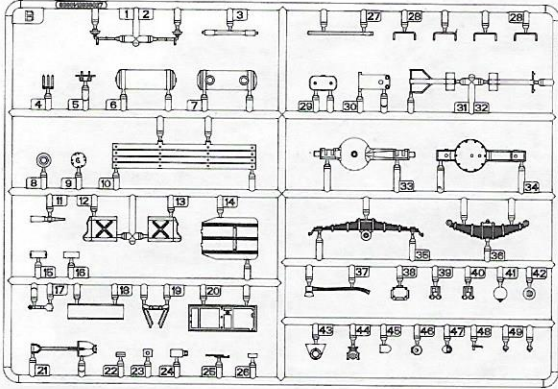
1. Cut off the decal from the decal paper and put it into the warm water 40°C for 10 seconds.
2. Take the decal from the water and put it on a piece of clean cloth.
3. Remove the decal slowly from the paper to the targeted location by a wet finger.
4. Use a piece of dry and soft cloth to press it gently on the decal until it getting dry and no bubble existing.

水贴纸的使用方法:

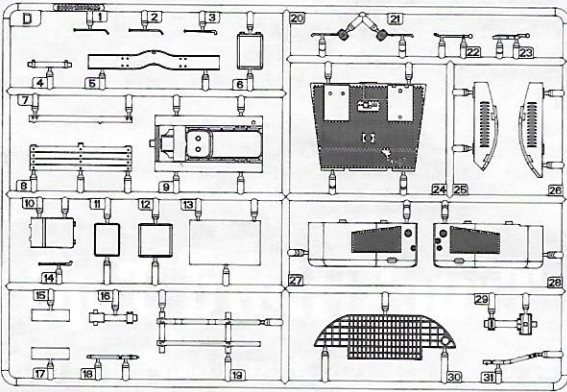
- 一. 把相关的印花从水贴上剪下, 放入40°C左右的温水中浸10秒。
- 二. 然后将印花放在干净的布上。
- 三. 拿上印花纸, 手指蘸水将印花移到适当的位置。
- 四. 用软干布轻压印花直至水干, 气泡消失。

部品图 Parts

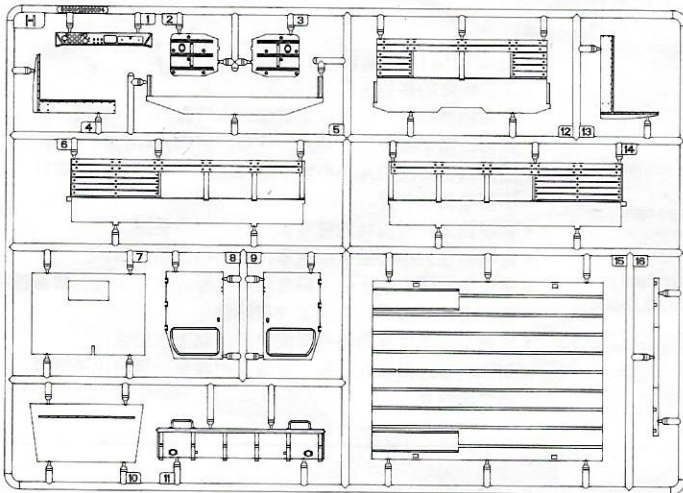
BX2



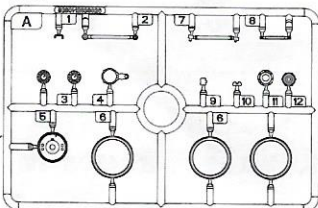
D



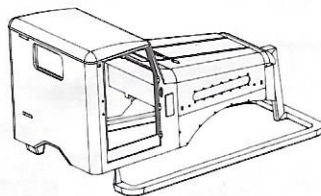
H



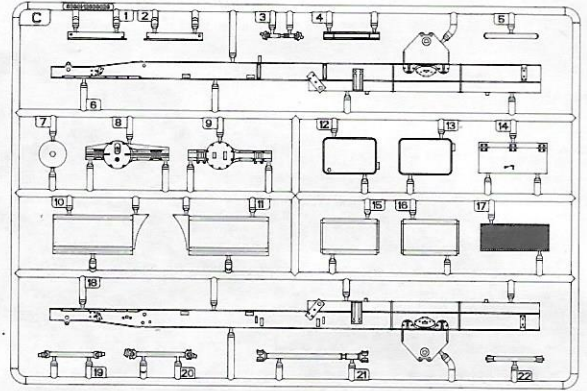
AX4



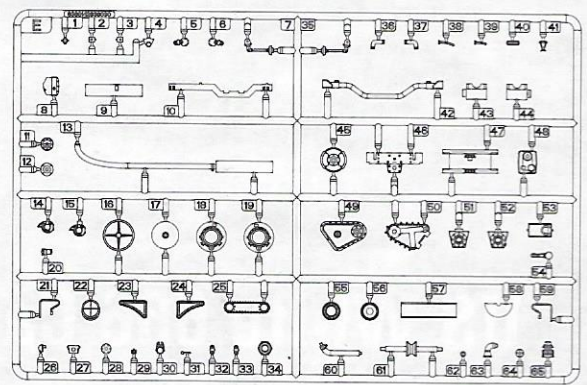
车头
Cab



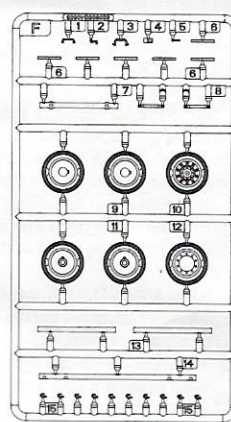
C



E



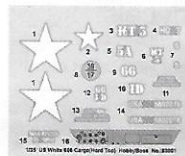
FX2



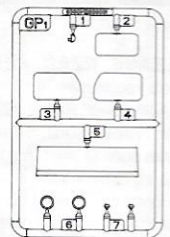
轮胎X12
Tyre



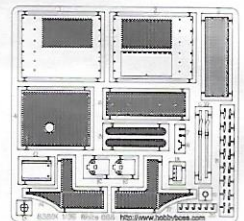
贴纸
Decal



GP



蚀刻片
PE



链条 . Size: $\varnothing 0.25 \times 50 \text{mm}$
Chain



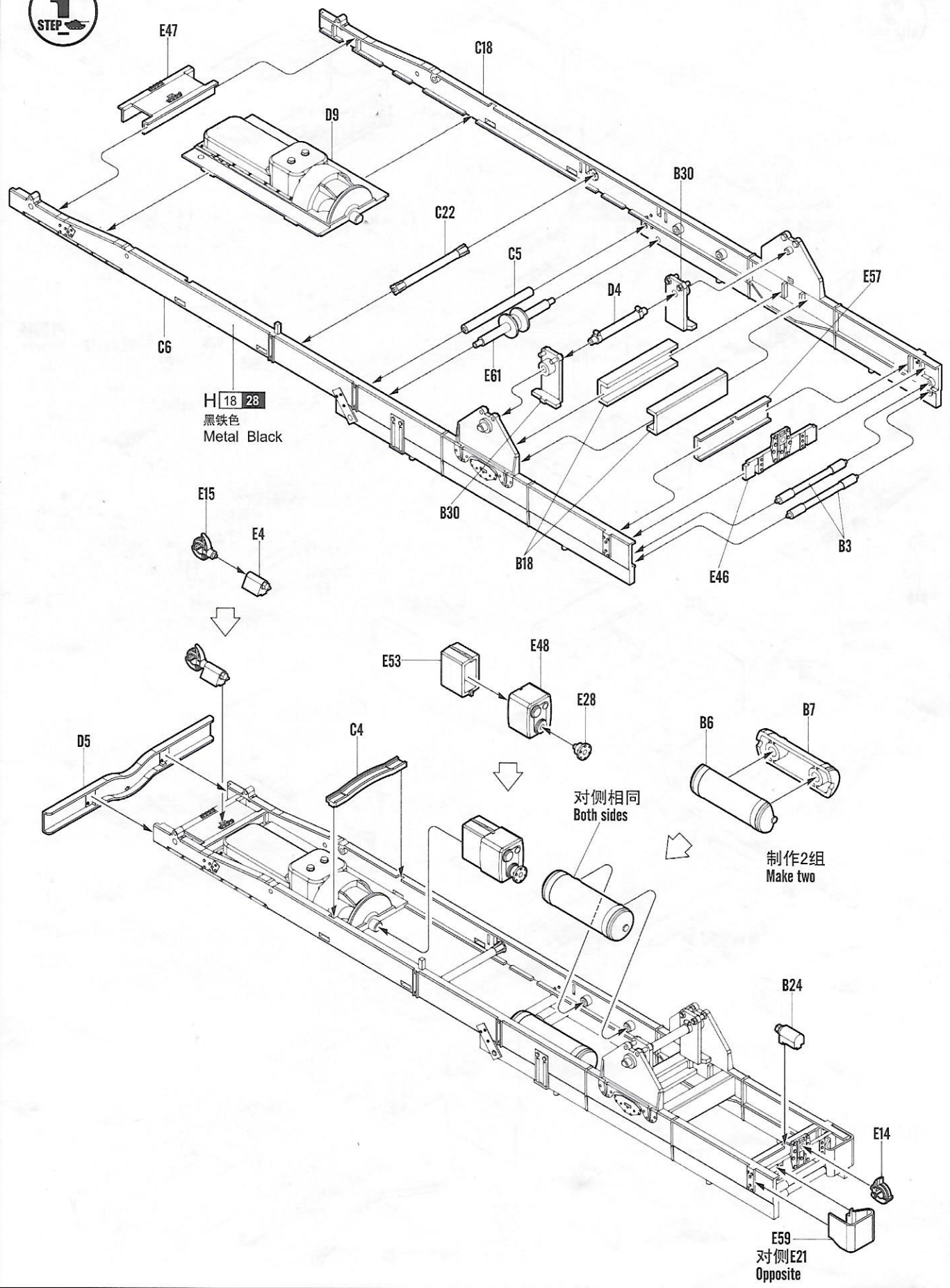
棉绳: $\varnothing 0.6 \times 1000 \text{mm}$
Thread

不用部品: E58、GP1、GP7、PE11、PE16、PE20

No used parts

3

1
STEP



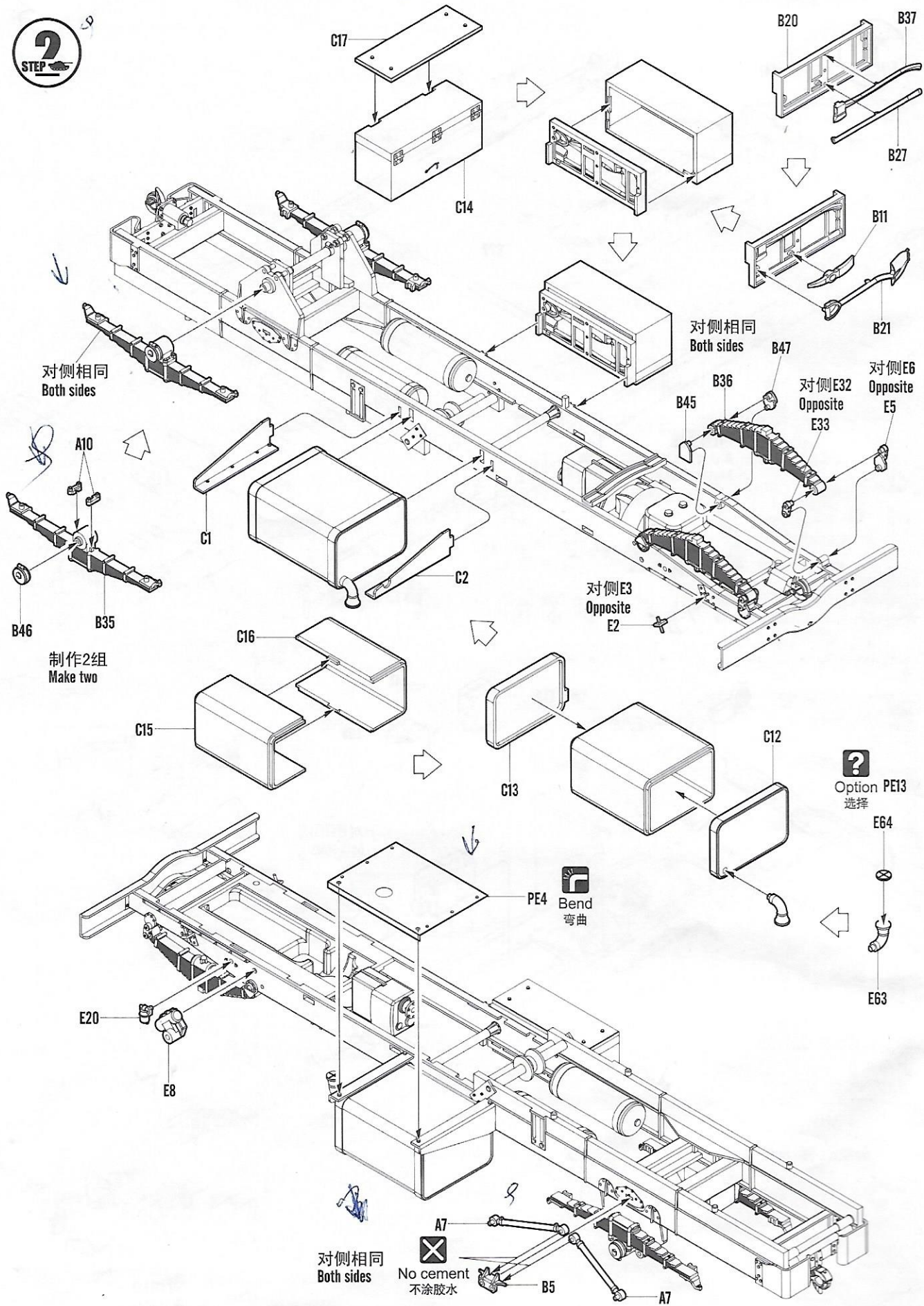
H 18 28
黑铁色
Metal Black

对侧相同
Both sides

制作2组
Make two

E59
对侧E21
Opposite

2
STEP



对侧相同
Both sides

对侧相同
Both sides

对侧E32
Opposite
E33

对侧E6
Opposite
E5

对侧E3
Opposite
E2

制作2组
Make two

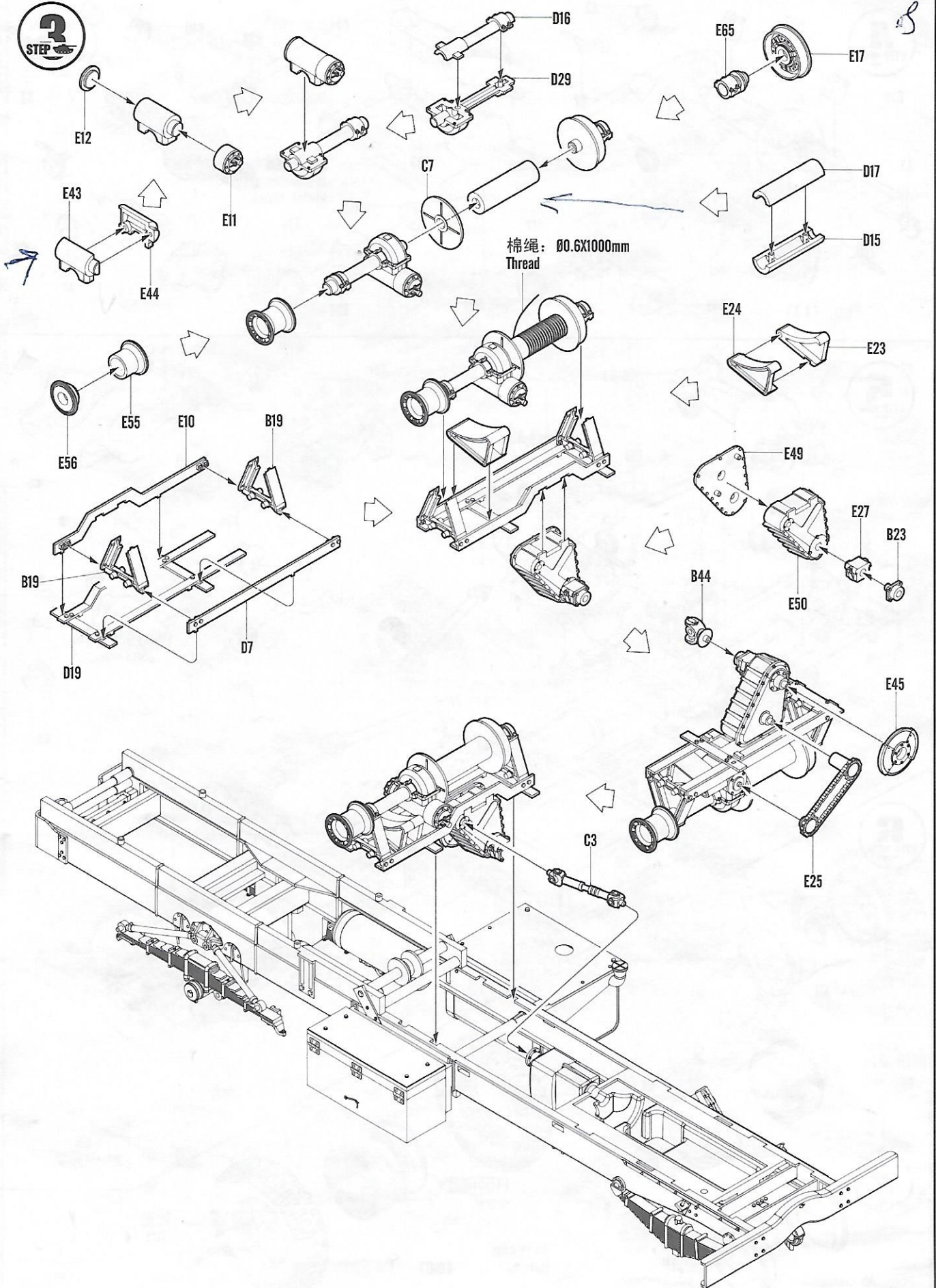
?
Option PE13
选择

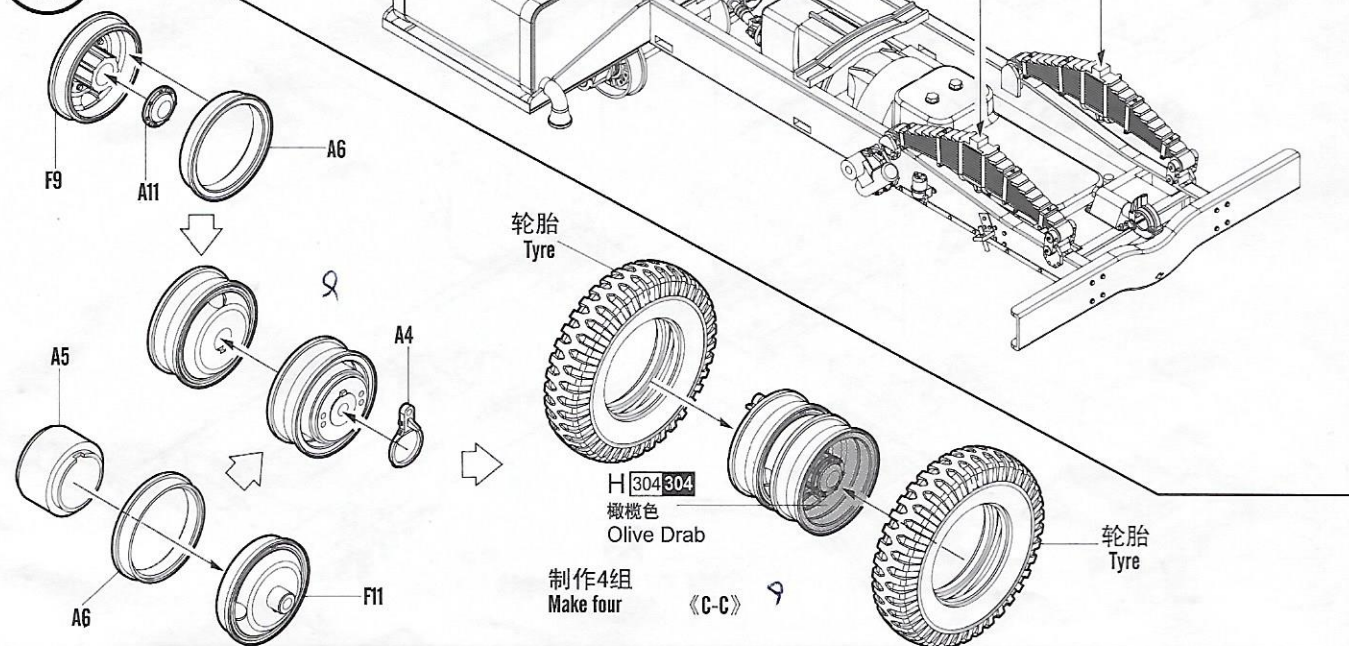
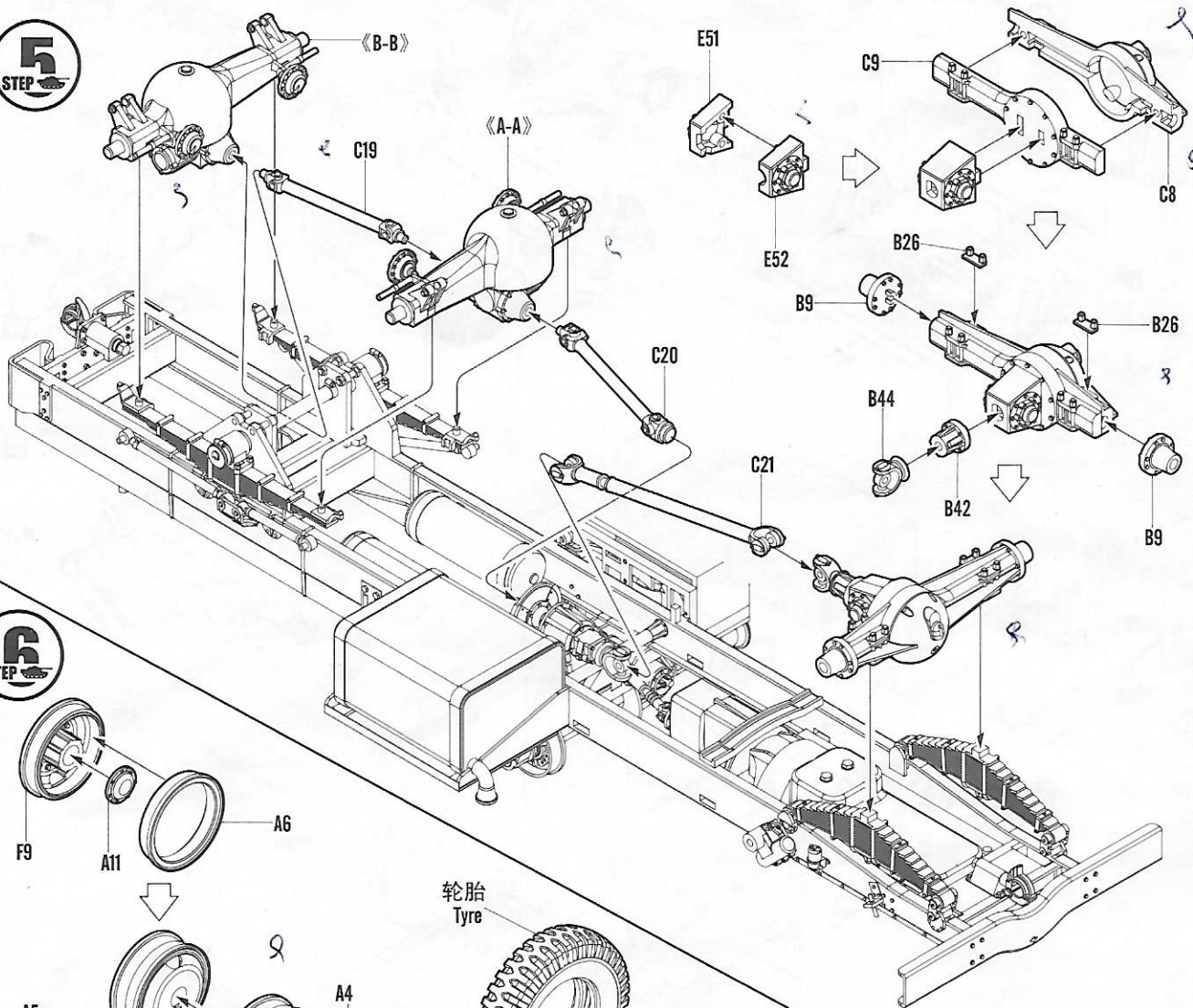
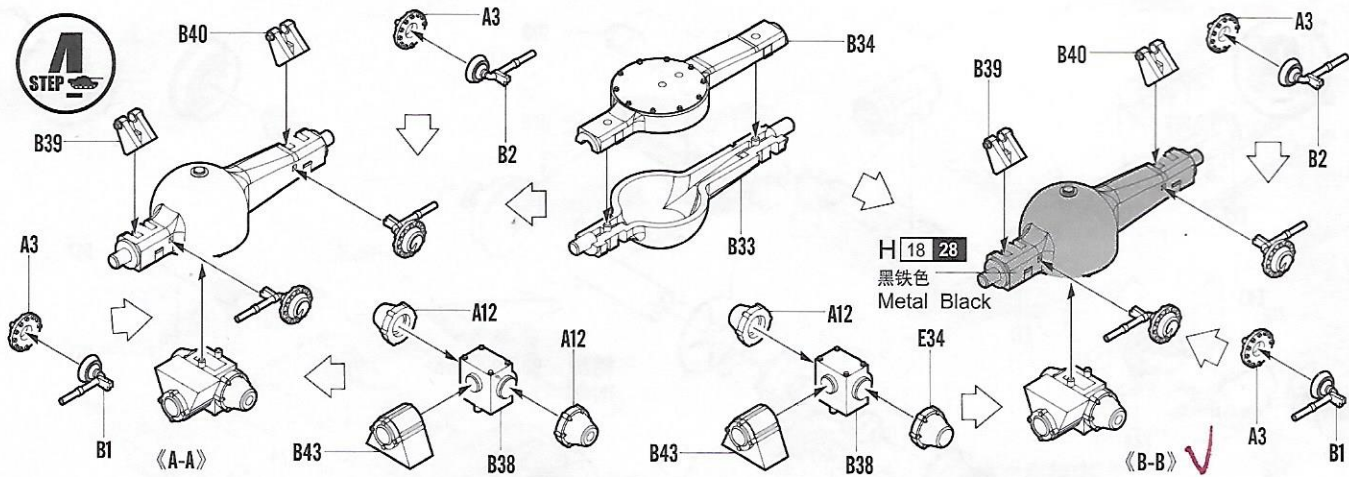
B
Bend
弯曲

对侧相同
Both sides

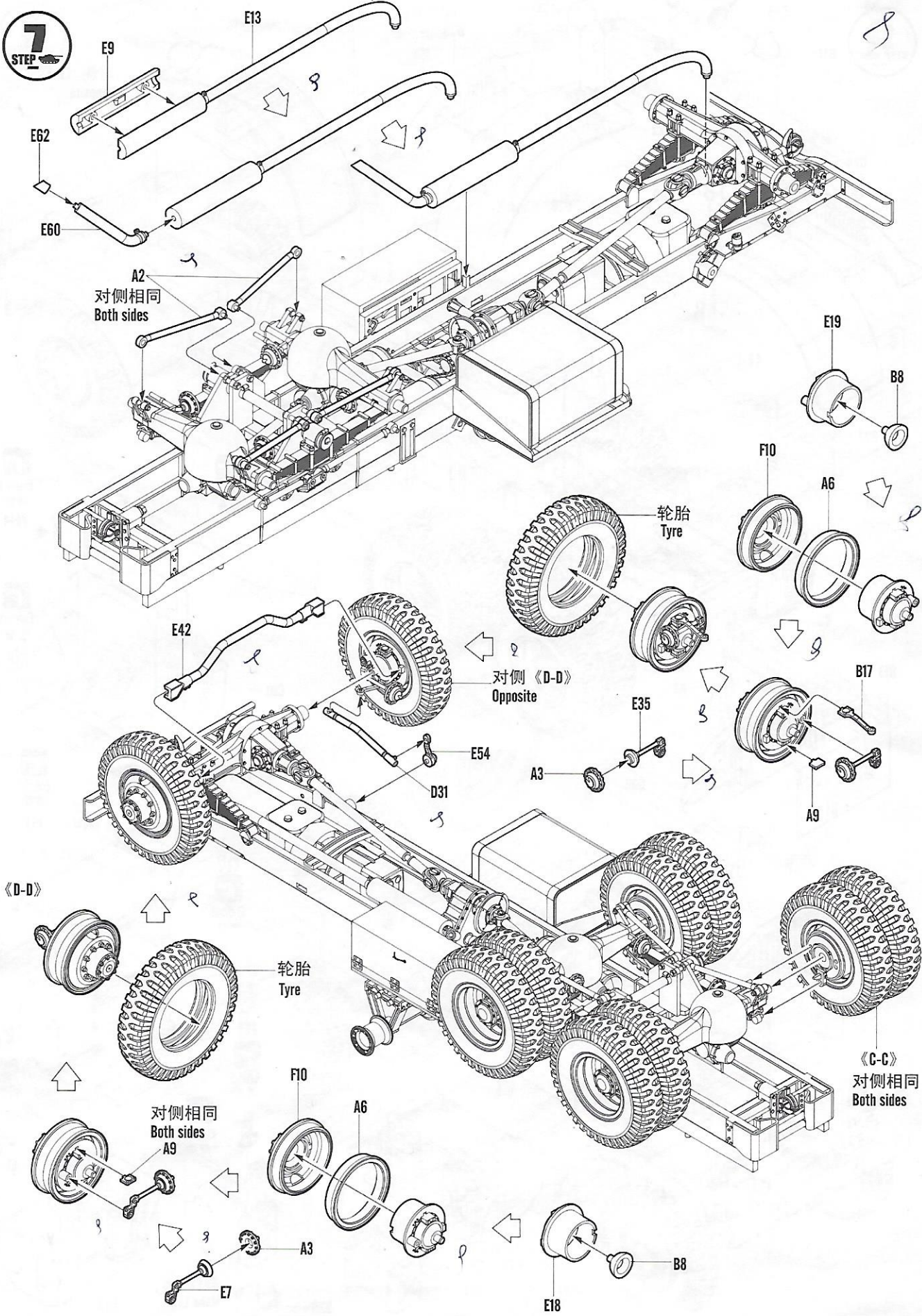
X
No cement
不涂胶水

3
STEP





7
STEP





GP6

B41

E26

D25

B49

B22

D28

对侧《E-E》
Opposite

D26

《E-E》

D27

D13

D30



Bend PE2
弯曲



Bend PE14
弯曲



Bend PE3
弯曲

C10

《F-F》



Bend PE1
弯曲



Bend PE17
弯曲



Bend PE9
弯曲



Bend PE5
弯曲



Bend PE10
弯曲



Bend PE9
弯曲

对侧《F-F》
Opposite

B12

E30(E1)

B4

B13

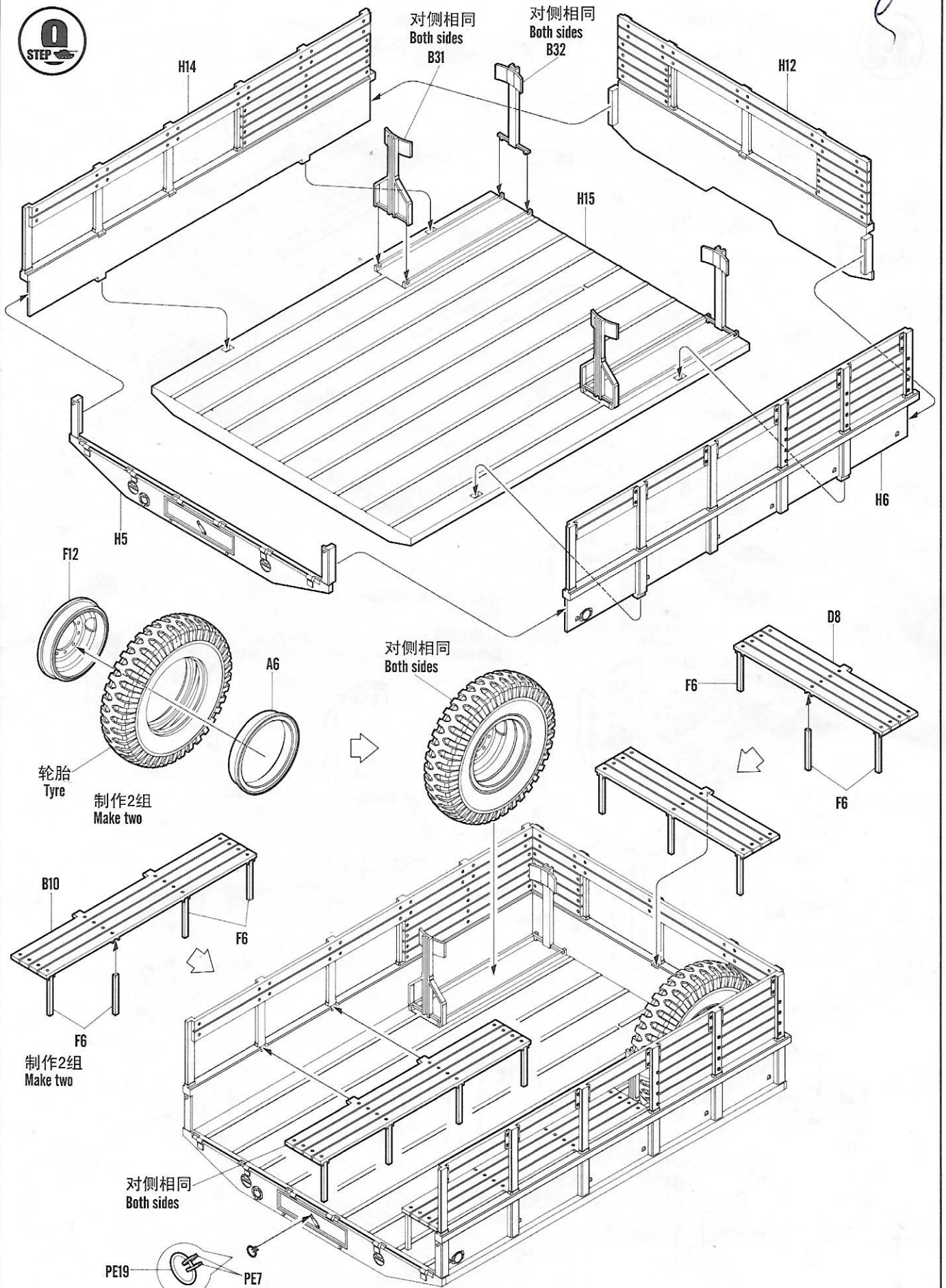
B29

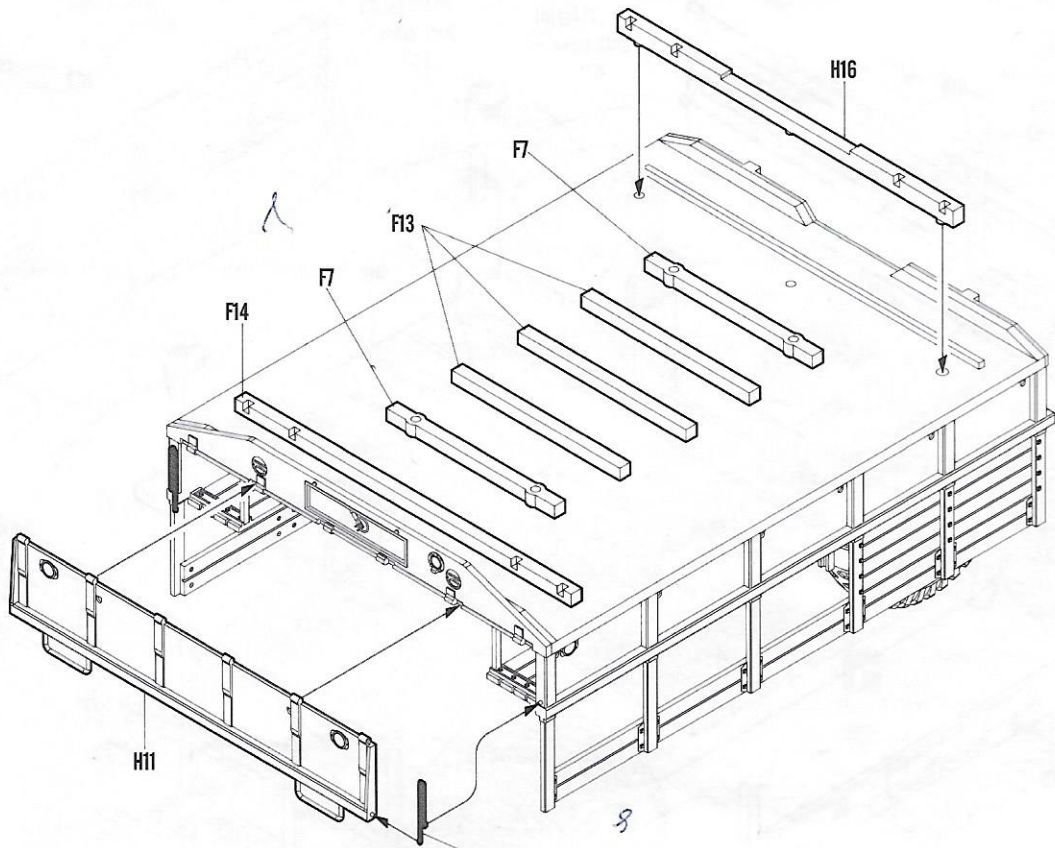
制作2组
Make two

E30

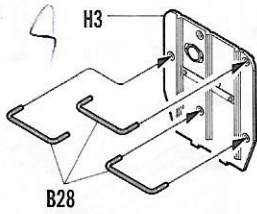
E1

E22





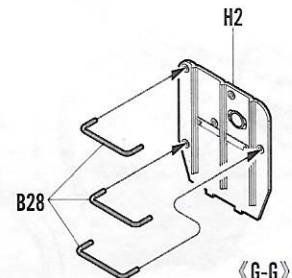
链条. Size: $\varnothing 0.25 \times 50 \text{mm}$
Chain
对侧相同
Both sides



B28

F8
对侧相同
Both sides

对侧 «G-G»
Opposite

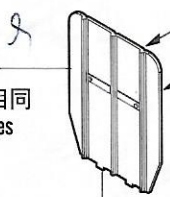


H2

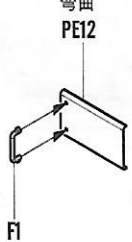
«G-G»

B14
对侧相同
Both sides

A8
对侧相同
Both sides



 Bend
弯曲
PE12



F1

F5

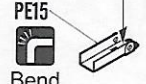
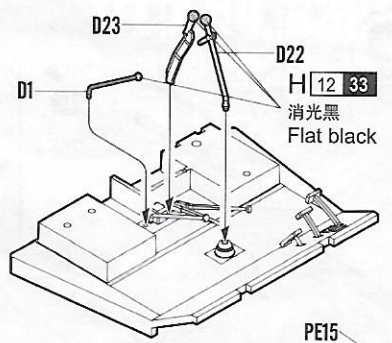
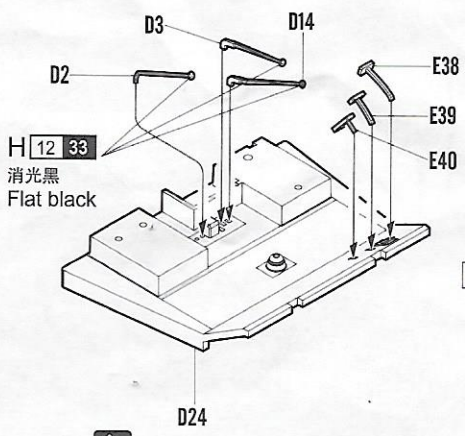
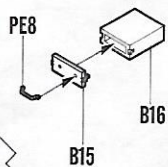
F5

F15X16

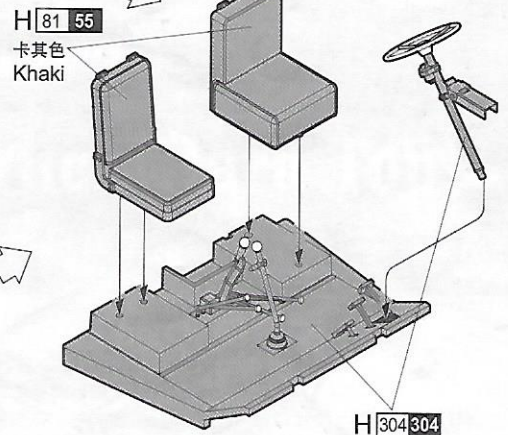
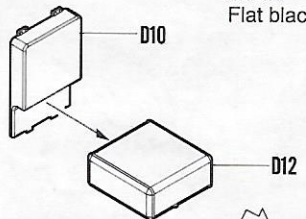
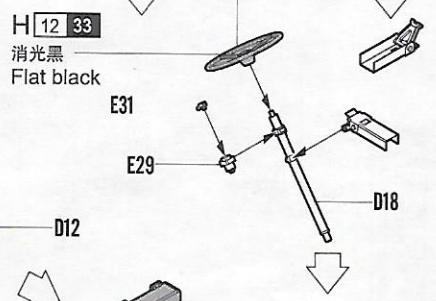
11
STEP



PE18 Bend
弯曲

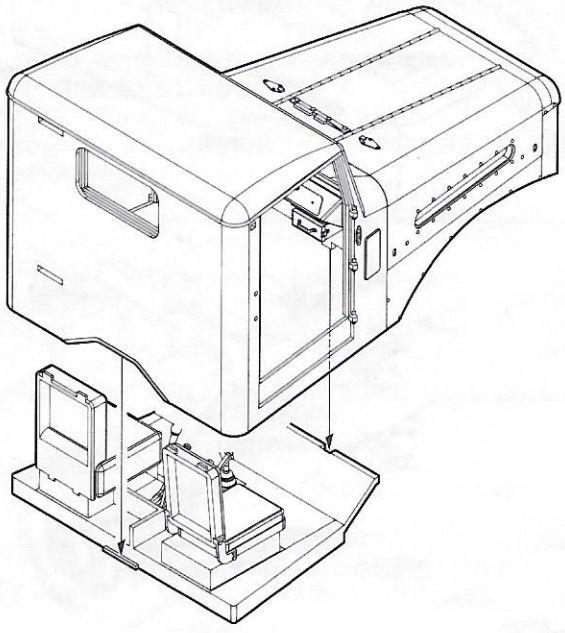
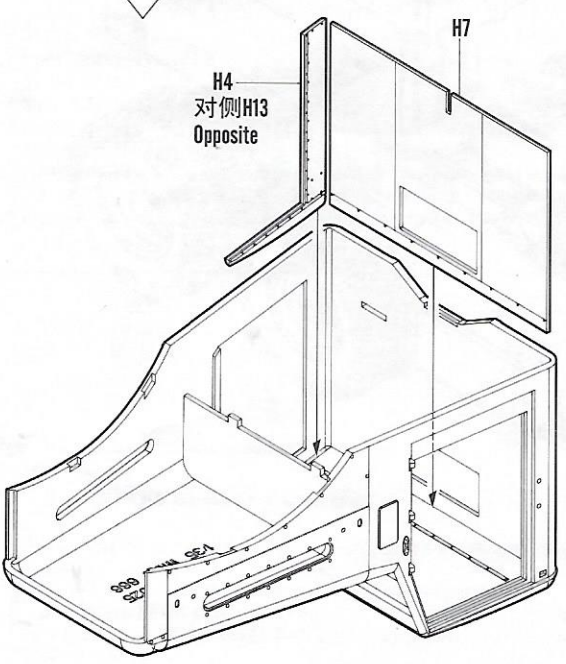
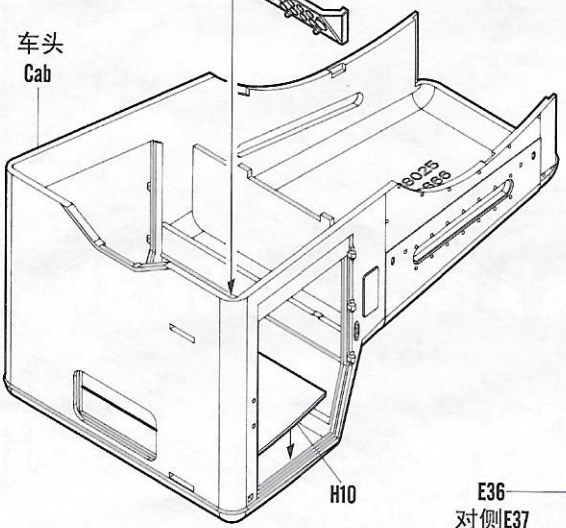


PE15 Bend
弯曲

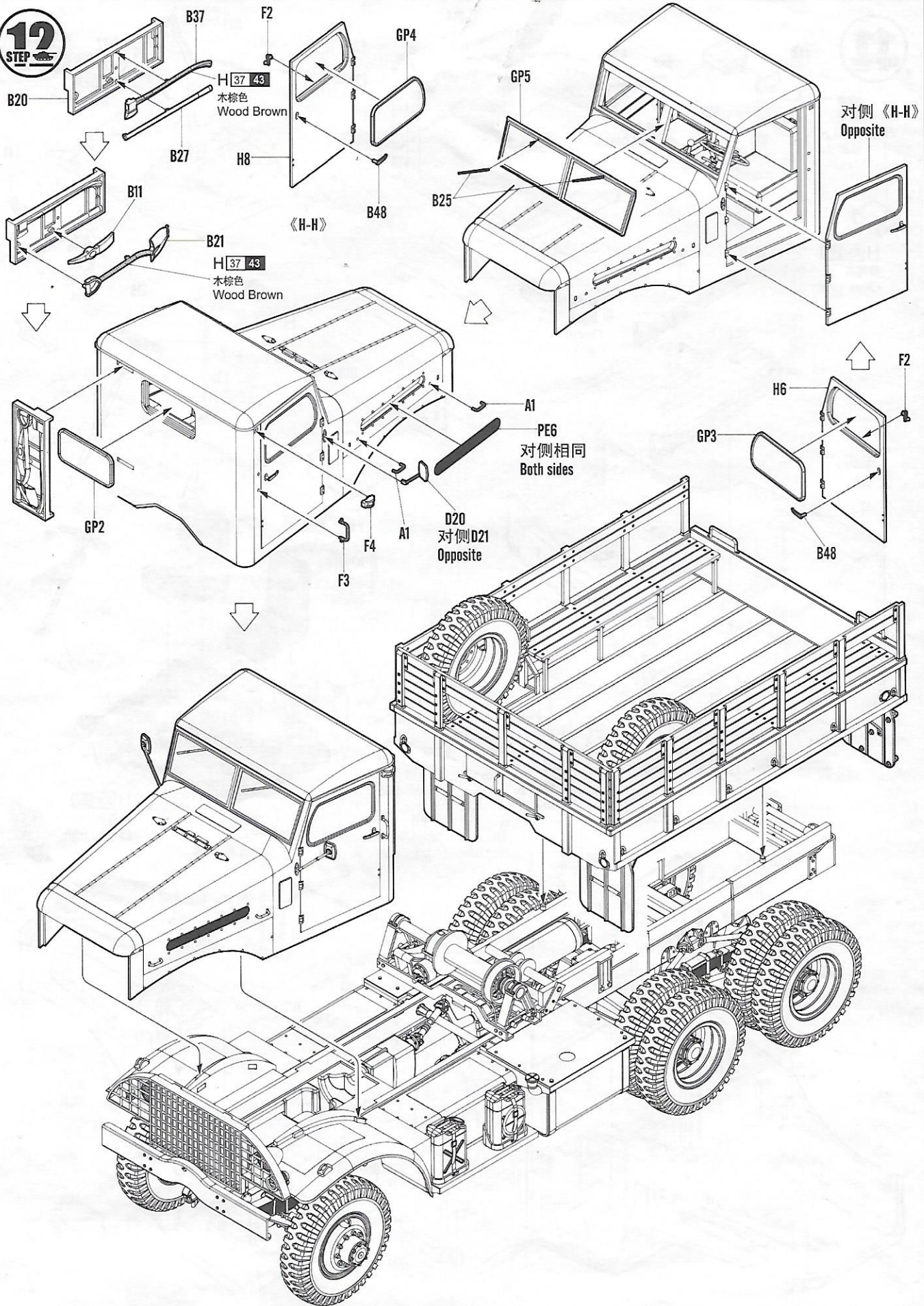


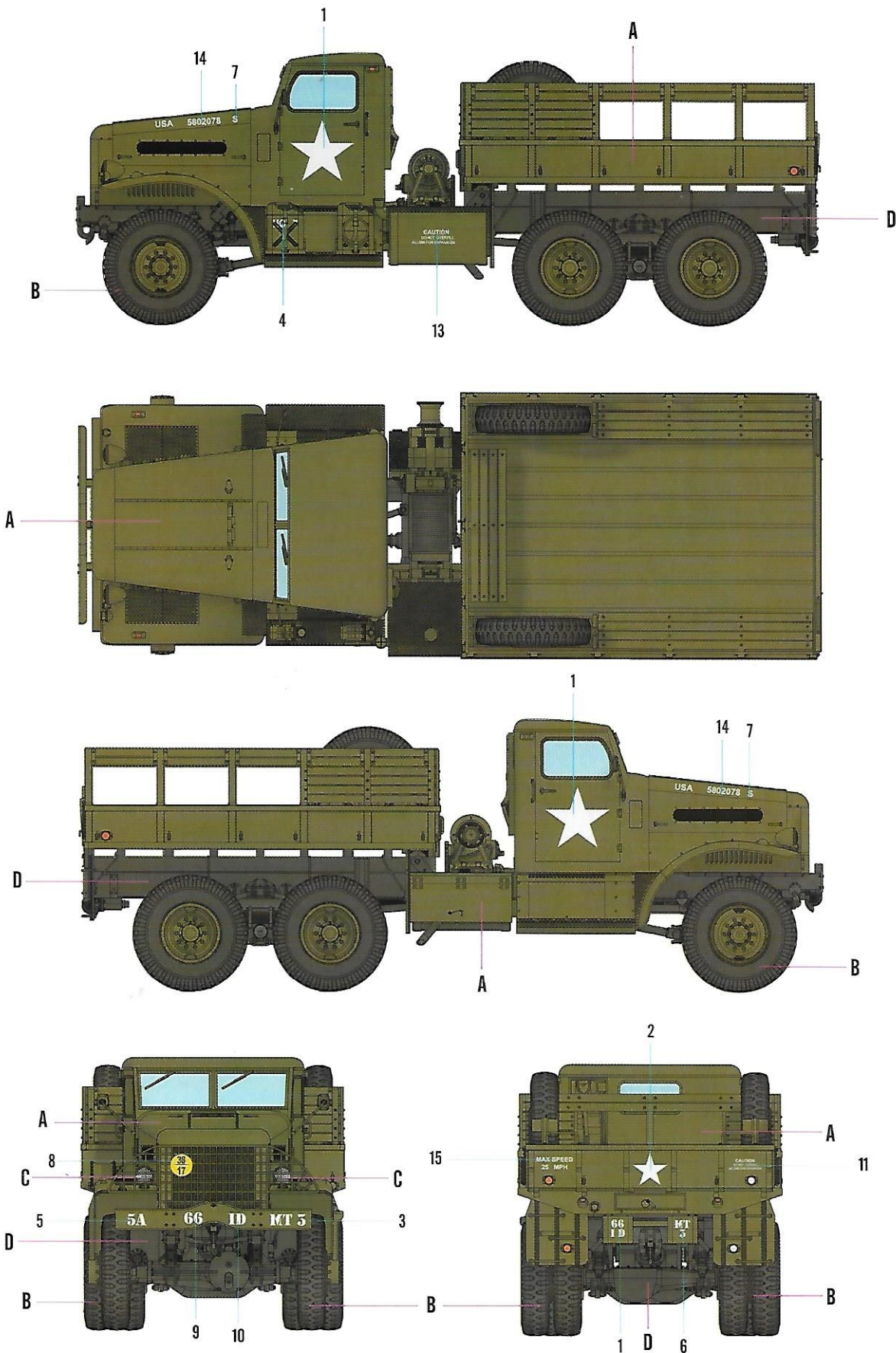
E36
对侧E37
Opposite

车头
Cab



12
STEP





	Color	Mr.Hobby	Vallejo	Model Master	Tamiya	Humbrol		Color	Mr.Hobby	Vallejo	Model Master	Tamiya	Humbrol
A	橄欖色 Olive Drab	H 803 304	887	1711	XF62	155	C	銀色 Silver	H 10 11	997	1546	X11	11
B	胎黑色 Tire Black	H 77 137	--	--	--	--	D	黑鉄色 Metal Black	H 18 28	864	1402	--	--

1:35
Scale 83801

US White 666 Cargo(Hard Top)

HOBBY BOSS



100% NEW TOOLING!

The White 666 cargo truck were build to a standardised Military design.

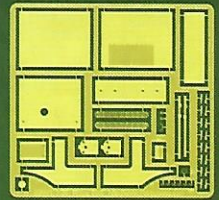
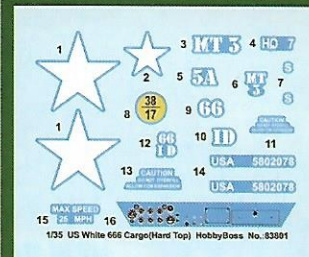
The early type had a closed cab and a metal cargo body, the later type had an open cab and a wooden cargo body.

And althoe, having the same appearance they slightly differed in specification, as the above Data shows.

It was used in all theatres of war in WW2 and long after that in many armies worldwide .

Kit consists of over 376 parts on 14 sprues including hull, and 42 parts photo-etched upgrade parts. 12 tire, chain, rope.

Dimension of completed model: Length: 197mm Width: 70mm



Accurate markings and photo-etched parts included.



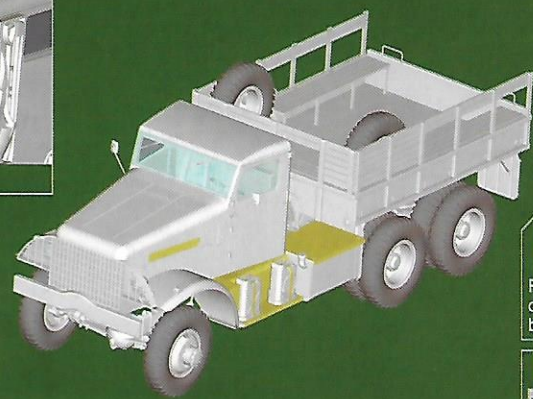
Left and right views of the vehicle.



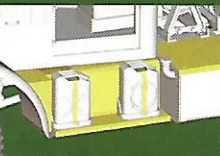
Front and rear views of the vehicle.



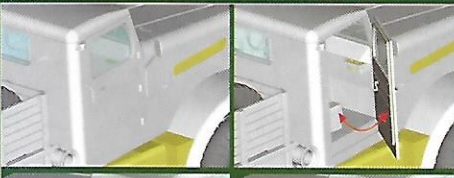
Full cabin interior detail.



Details aft of the cabin and pioneer tools are well molded.



5-gallon gas cans are accurately molded.



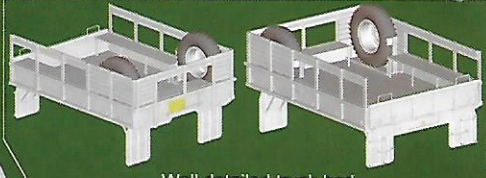
Both doors can be built open or closed.



Fuel tanks on left and right side of the cabin along with storage boxes are accurately molded.



Engine compartment vents and running board are enhanced with PE parts.



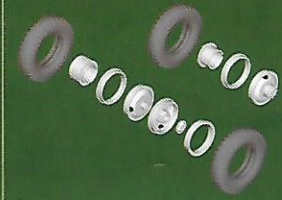
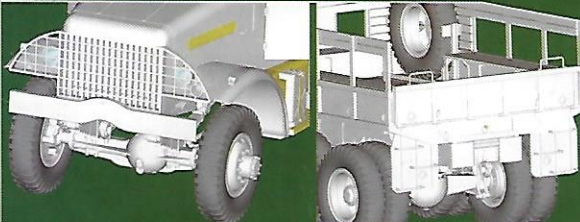
Well detailed truck bed.



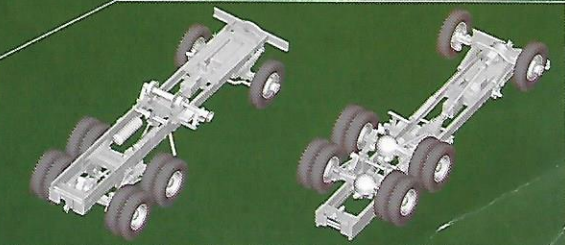
Details of the headlight guards and tailgate are well rendered.



The tailgate can be built open or closed.



Accurate assembly of wheels.



Chassis, running gears, suspension system and drivetrain are painstakingly reproduced.