

The F9F-6 was the main force carrier jet fighter of the U.S. Navy/Marine Corps during the Korean War whose outbreak was in 1950.

It was distinguished for its meritorious service in the ground attack and the air combat against the MIG-15, and was the first carrier jet plane that was mass-produced by the U.S.A; totalling 1,388 aircraft of the F9F-2, 3, 4, 5 including some trial planes. For a while even after the end of the Korean War, these planes were assigned for the service in the front line as the star fighter plane of the U.S. Navy/Marine Corps.

The XF9F-1, designed at first, was expected to mount a Westinghouse J30 turbo jet engine, however, because of the low evaluation on its output and reliability, the No.1 trial plane was equipped with a British-made Rolls-Royce Nean engine. This was designated XF9F-2, whose maiden flight was made on November 24, 1947. The No.2 and No.3 trial planes were fitted with another engine of Allison J33 and renamed XF9F-3.

The first production type, the F9F-2, again changed its powerplant to the Pratt & Whitney J42-P-6, 2,270 thrust Nean engine made in the U.S.A. and flew for the first time on November 24, 1948.

This carrier fighter was the first to be seen in war service at the Korean War accompanied by the McDonell F2H-2 Banshee.

The F9F excellent in service performance showed a high rate of hits in attacking the enemy in the mountainous area with its machine guns, rocket bombs and napalm bombs and equally admired with the then U.S. Airforce North American F-86 Sabre and the Republic F-84 Thunderjet as the three greatest production type jet fighters. It was also so rugged and tough as to be able to prevent the damage by the enemy's bullets to a minimum for proceeding its flying. Owing to these characteristics it has left many war episodes and become famous as a film star in various aviation movies of today.

The airframes built as the F9F-3s were later remodified into the F9F-2s and the F9F-4s into the F9F-5s which included F9F-5P photo-reconnaissance plane version with a camera window on the nose.

The late production-type F9F-5 powered by a U.S.-built Rolls-Royce J48-P-4, 2,840 kg thrust T engine, made its first flight on December 21, 1941.

The configuration of this type was paired with the fuselage extended by 60 cm in length and the vertical tail

increased by 30 cm in height. The powerplant on a few of the final type airframes were converted to the higher-powered J48-P-8, 3,290 kg thrust engines.

The standard armament of the F9F-2/5 consisted of four 20 mm machine guns fitted on the nose and either of six rocket bombs, two 227 kg bombs or two napalm bombs. The extra fuel tanks on both wing tips were left detached even when they were emptied in order to prevent wing-tip vortex.

DATA OF THE F9F-2

Crew	: 1
Powerplant	: J42-P-6, 2,270 kg thrust engine
Dimensions	: Span 11.60 m, Fuselage length 12.20 m Wing area 26.0 m ²
Weight	: Fully-loaded 7,465 kg, Fully-loaded, max 8,846 kg
Performance	: Max speed 960 km/h, Service ceiling 13,600 m Cruising range 2,177 km

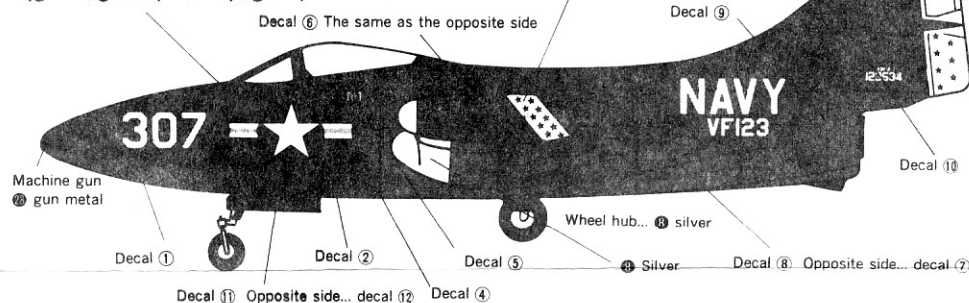
The each model of the F9F-2, 3, 4, 5 was usually called "Panther", while the later sweptback-winged versions, the F9F-6, 7, 8 went by the name of "Cougar".

Marking & Color Painting Guide

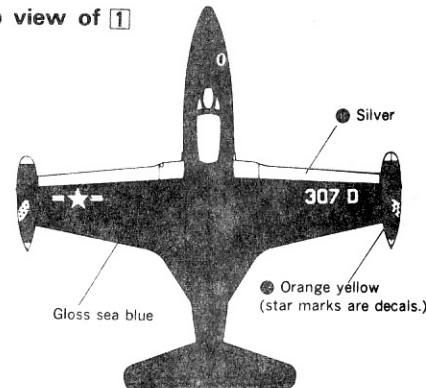
◆The inside of landing gear well is the same color as fuselage.
Gear strut and wheel hub... ④
Silver Tire... ⑤ Mat black

1 Assigned to VF-123

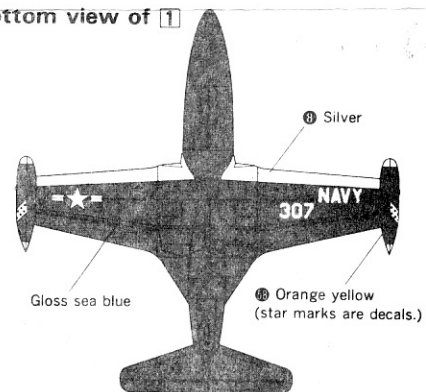
Overall fuselage... gloss sea blue
⑥ blue + ⑦ black (a little bit) + ⑧ clear



Top view of 1

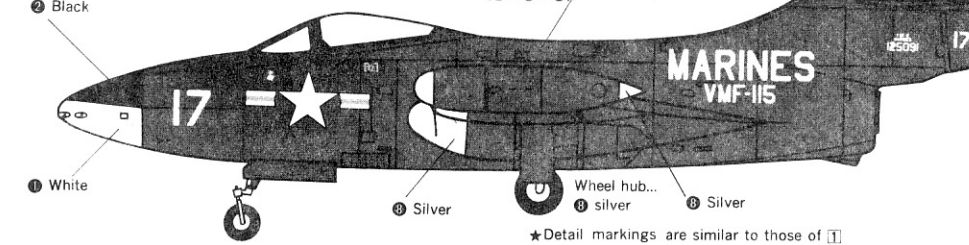


Bottom view of 1

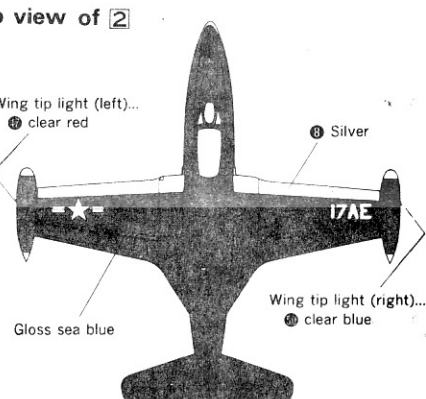


2 Assigned to VMF-115 1953 Spring, Korea

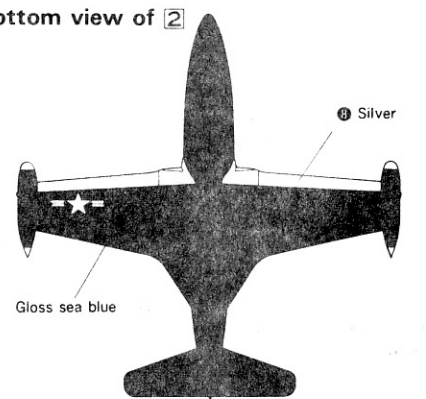
Overall fuselage... gloss sea blue
① black + ② white + ③ clear



Top view of 2

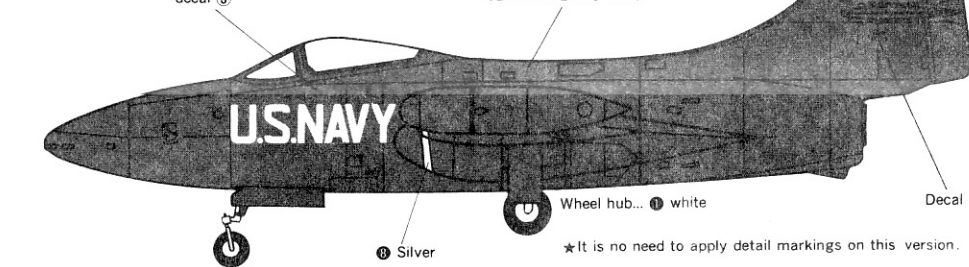


Bottom view of 2

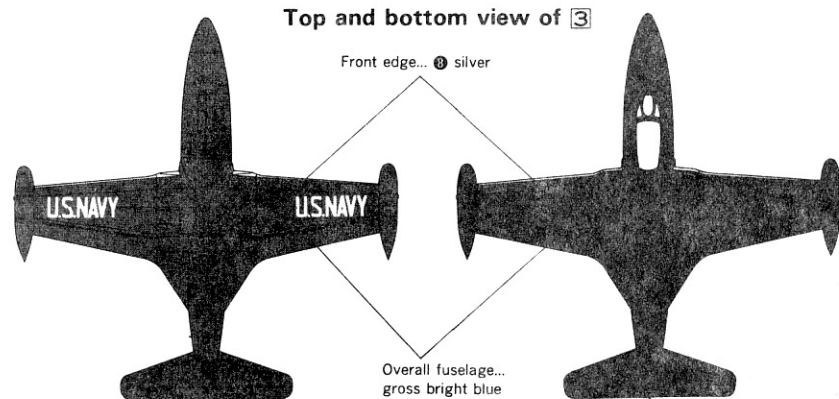


3 Blue Angels Panther 1949 Pensacola

Overall fuselage... gloss bright blue
④ blue + ⑤ sky blue



Top and bottom view of 3



Color Painting of Grumman F9F-2 Panther

Color painting of Grumman F9F-2 Panther is just as the same as the other carrier-borne jet fighters of U.S. Navy and U.S. Marine Corps.

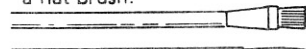
These jet fighters are painted in gloss sea blue for overall fuselage, and silver for main wing front edge, gear strut and wheel. Blue Angels Panthers were painted in gloss bright blue (it is much lighter than gloss sea blue) for overall fuselage. Silver stripe of main wing front edge was narrower than that of ordinary versions. Landing gear struts and wheel hubs were painted in white.

HOW TO APPLY DECALS

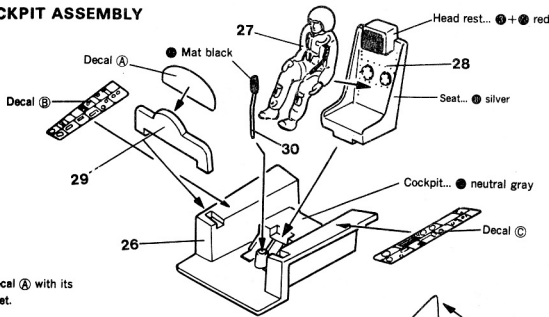
1. Cut out the decal and remove the film covering. Place it in water for 20 seconds.
2. Slide slightly the decal on the paste-board.
3. Press the decal with a soft cloth and remove the moisture and surplus adhesive.

MODEL COLORS

Model Colors are numbered. After assembling, be sure to paint the model in order to enhance your workmanship. As to paint tiny parts, use a profile brush, and paint wide area, use a flat brush.

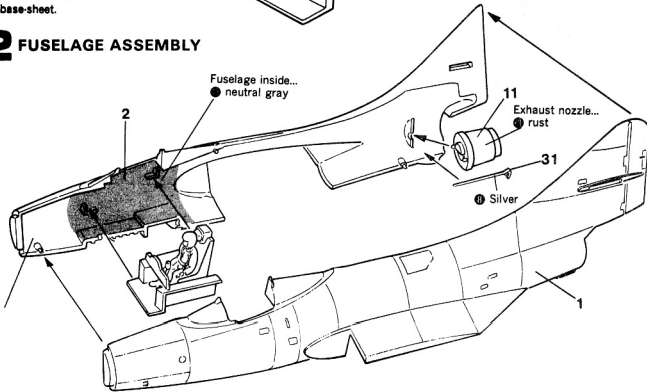


1 COCKPIT ASSEMBLY

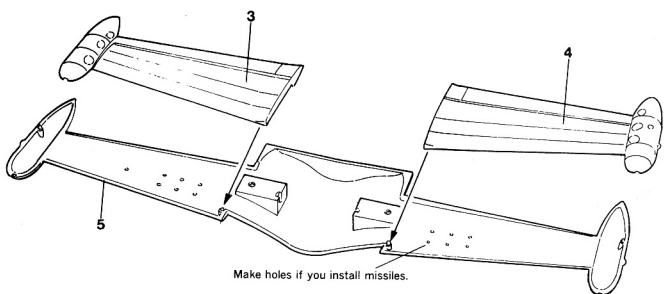


■ Apply decal (A) with its base-sheet.

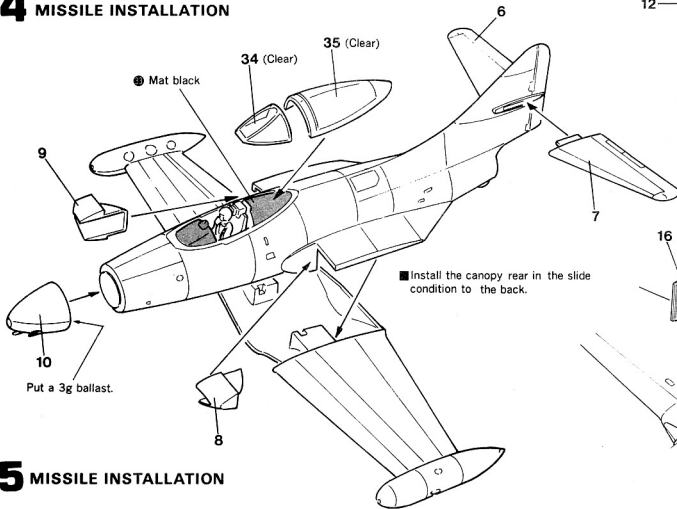
2 FUSELAGE ASSEMBLY



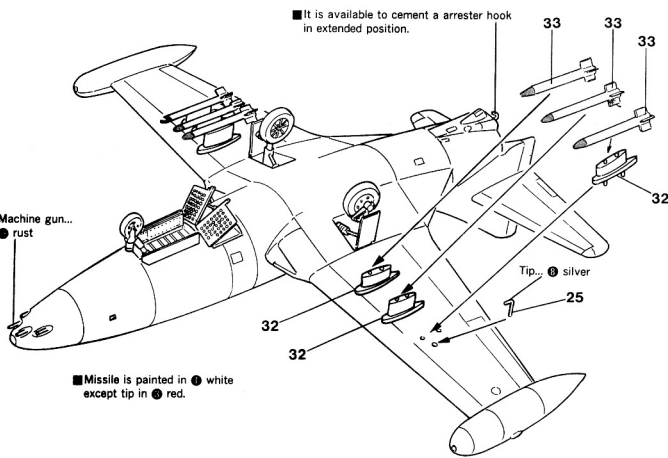
3 MAIN WING INSTALLATION



4 MISSILE INSTALLATION



5 MISSILE INSTALLATION



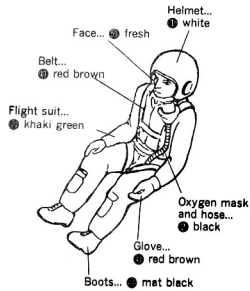
★ Before assembling

- Follow the instructions carefully.
- Cut off the parts from the stem with a nipper or cutter.
- When using adhesive, apply it to both parts to be cemented. Please take care not to apply too much adhesive.
- Pay attention to proper fitting of each parts using cello-tape before cementing the parts.

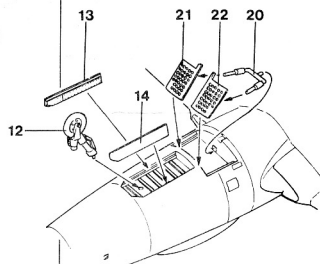
★ MODEL COLOR

The number (A)-(C) mean Model Color number. Let's make the beautiful air-planes by color painting!

Picture-1 Cement pilot figure after painting. Apply light gray and dark gray on cockpit.

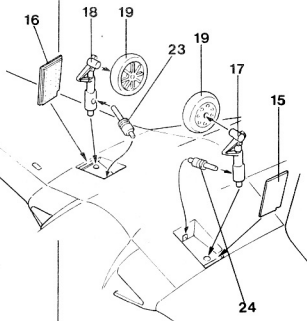


■ Front gear assembly



■ Inside of gear cover and gear well are the same color as fuselage.

■ Main gear assembly



(PARTS NUMBER & NAME)

1. Fuselage (L)
2. // (R)
3. Main wing top (R)
4. // (L)
5. Main wing bottom
6. Horizontal tail (R)
7. // (L)
8. Air intake (L)
9. // (R)
10. Nose cone
11. Exhaust nozzle
12. Front gear
13. Front gear cover (L)
14. // (R)
15. Main gear cover (R)
16. // (L)
17. Main gear (R)
18. // (L)
19. Main wheel
20. Air brake strut
21. // (L)
22. // (R)
23. Main gear strut (L)
24. // (R)
25. Pitot tube
26. Cockpit floor
27. Pilot figure
28. Seat
29. Instrument panel
30. Control stick
31. Arresting hook
32. Pylon
33. Missile
34. Front canopy (clear)
35. Rear canopy (//)



307 D NAVY AE AE 17



307 D NAVY AE 17 17



307D NAVY MARINES 17 17



307 ^{FWA 123534} ^{FWA 123534} MARINES ^{FWA 125091} ^{FWA 125091}

VF123

VF123

L

R

L

R

VMF-115

VMF-115



①

②

③

④

⑤

⑥

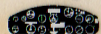
⑥

⑨

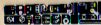
⑧

⑦

A



B



C



⑩

⑪

⑫

U.S.NAVY

U.S.NAVY

5

U.S.NAVY

U.S.NAVY

5



FWA 123534

FWA 123534

MADE IN JAPAN