

# Russian BMP-2M Berezhok Turret

## 俄罗斯BMP-2M“别列若克”步兵战车

### READ BEFORE ASSEMBLY:

- Study and understand these instructions thoroughly before beginning assembly
- When needed, remove photo-etch parts carefully using a modeling knife or photo etch sprue cutter, being careful not to damage or lose small parts.
- Take extra care in handling photo etch parts in order to avoid injury
- Apply instant cement sparingly to photo etch parts where instructed
- Tools recommended(not included in kit):Plastic and instant cements, sprue cutters,long nose pliers,modeling knife, small files, tweezers, pin vise & scissors. Soft cloth and sandpaper will also assist in construction
- Glue and paint are not included in the kit. Use plastic cement and hobby paints only. Color guide for purchasing paint is included in the kit.

### 装配之前仔细阅读

- 小心用模型锉刀锉平所有零件表面的注射浇口。
- 小心用刀片切下蚀刻片零件，不要遗失小零件。
- 用强力快干胶水粘合蚀刻片零件和金属轴。过量快干胶水使用可能导致可动零件会粘住，小心涂胶。
- 取蚀刻片时应特别注意安全，防止利边划伤手指。
- 某些零件表面需贴水贴纸，请选择在装配的同时进行。
- 推荐模型工具(自备)：胶水，水口剪刀，长咀钳，刀片，锉刀，镊子，钳，钻，剪刀，瞬间快干胶。
- 软布同砂纸同时也是所需工具。
- 请使用塑料胶水和油漆，模型内不含。



使用强力胶  
Cyanoacrylate glue



配重  
Weight



钻孔  
Make hole



切除  
Cut / Remove



贴纸  
Decal



锉平  
File / Sand



选择  
Option



不涂胶水  
No cement



弯曲  
Bend



先装  
Install it first



填补  
Repair

### 水贴纸的使用:

- 1.从水贴纸上剪下印花;
- 2.将印花放入温水中浸10秒,然后放在干净布上。
- 3.拿着印花纸板将印花移到模型上;
- 4.手指蘸水将印花移到适当的位置;
- 5.用软布轻压印花直至水干,汽泡消失

### DECAL APPLICATION

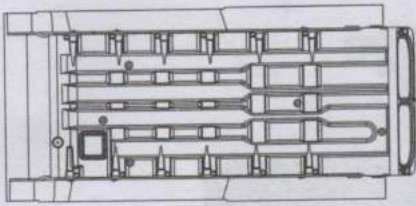
- 1.Cut decals from sheet as needed
- 2.Dip the decal in warm water for about 10 seconds and then place on soft clean cloth.
- 3.Hold the decal backing sheet edge and gently slide the decal onto the model in its proper position.

- 4.While still wet,decal can be adjusted for better fit on model by dampening it gently with your finger.
- 5.When placed in the proper position,gently press decal down with a soft cloth until excess water and air bubbles are gone.
- 6.Allow decal to dry completely before handling model

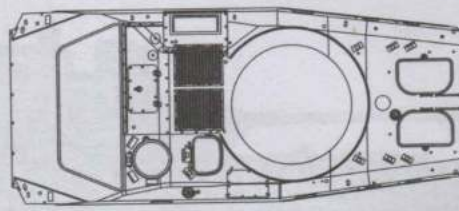
\* 说明书中含有重要信息，应保留。 Please Keep instruction since it contains important information.

# 部品图 Parts

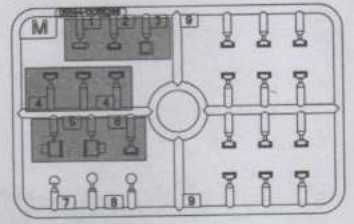
《车底》  
Lower hull



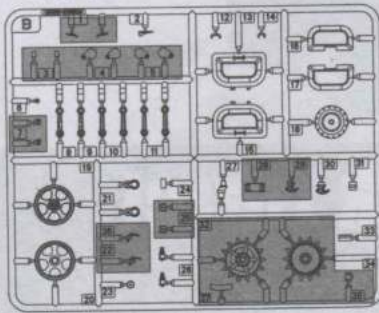
《车面》  
Upper hull



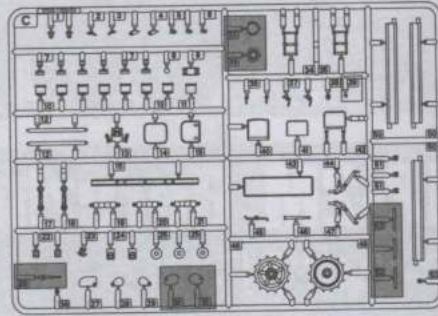
M



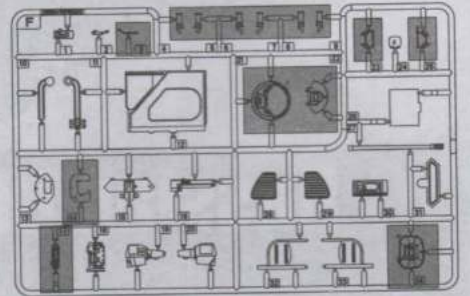
B x2



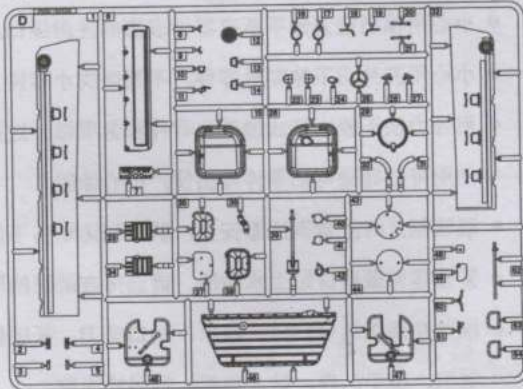
C x2



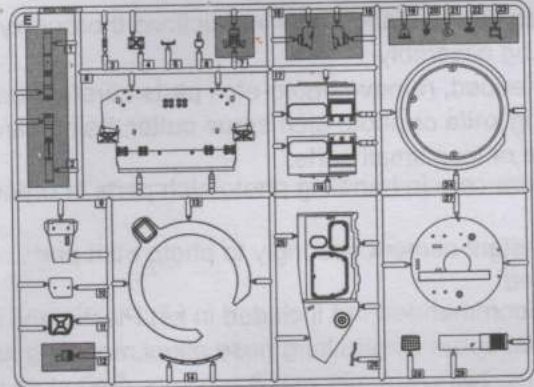
F



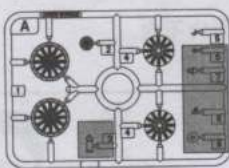
D



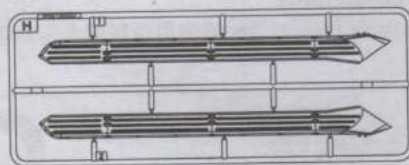
E



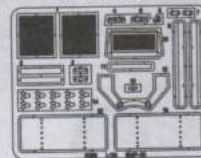
A x6



H



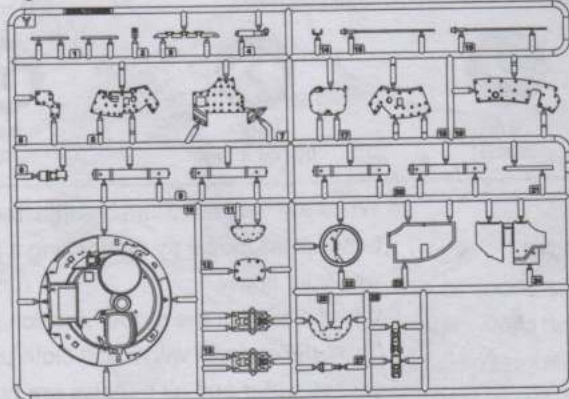
《蚀刻片》  
Photo Etched



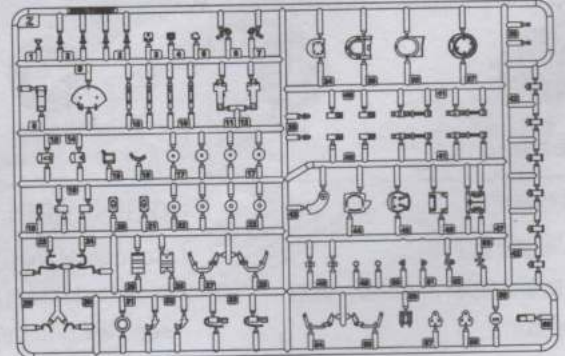
《水贴》  
Decal



Y



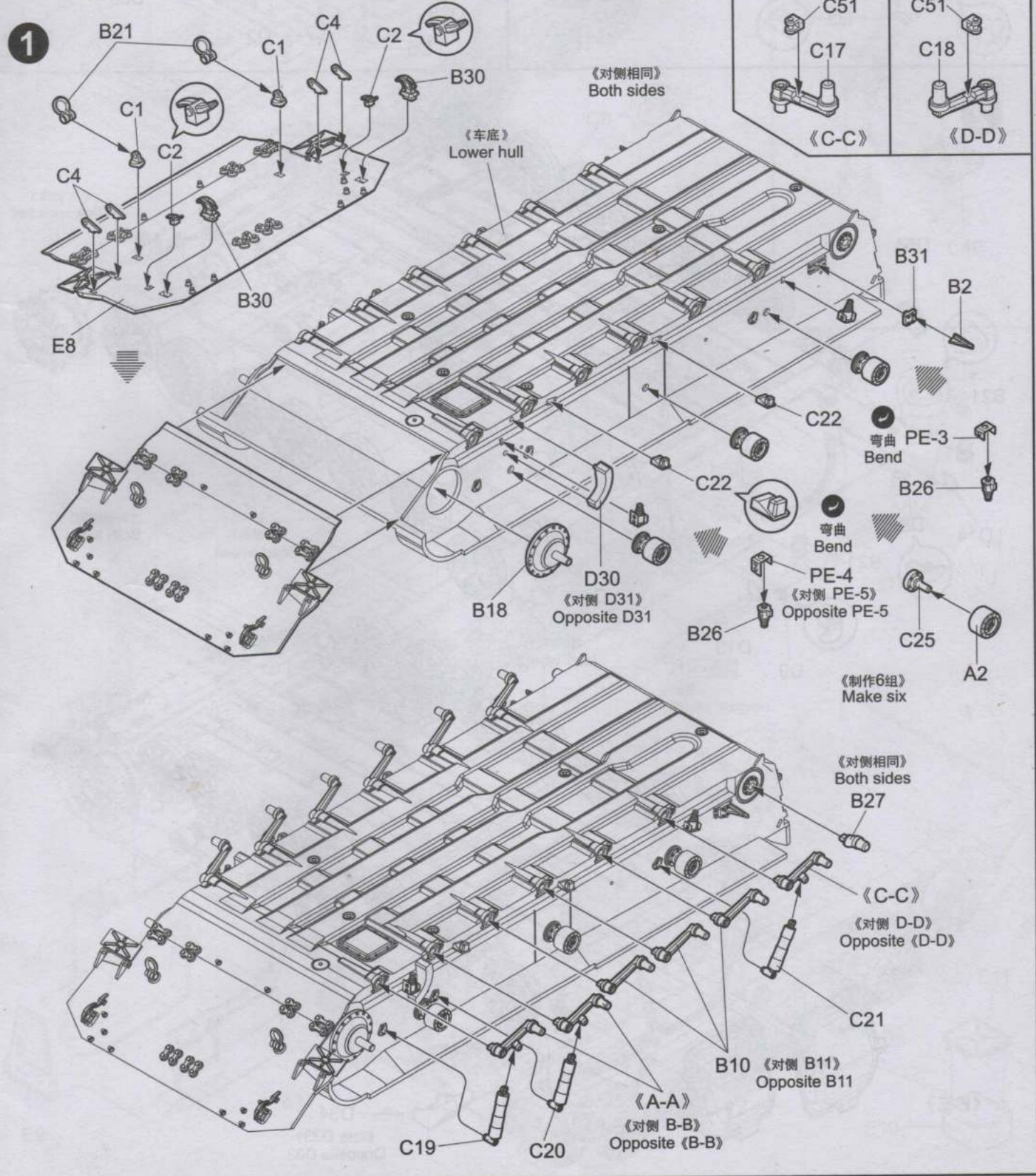
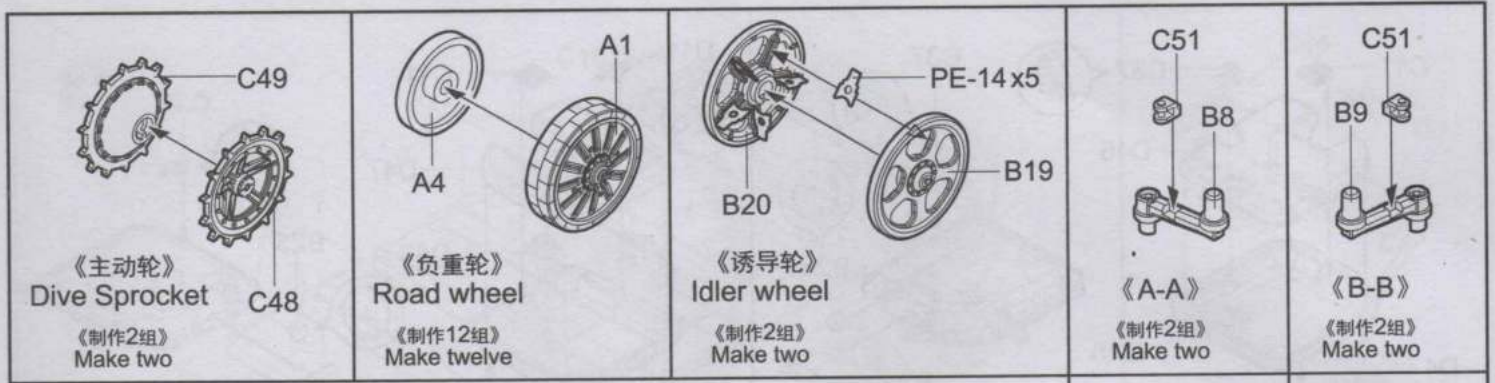
Z

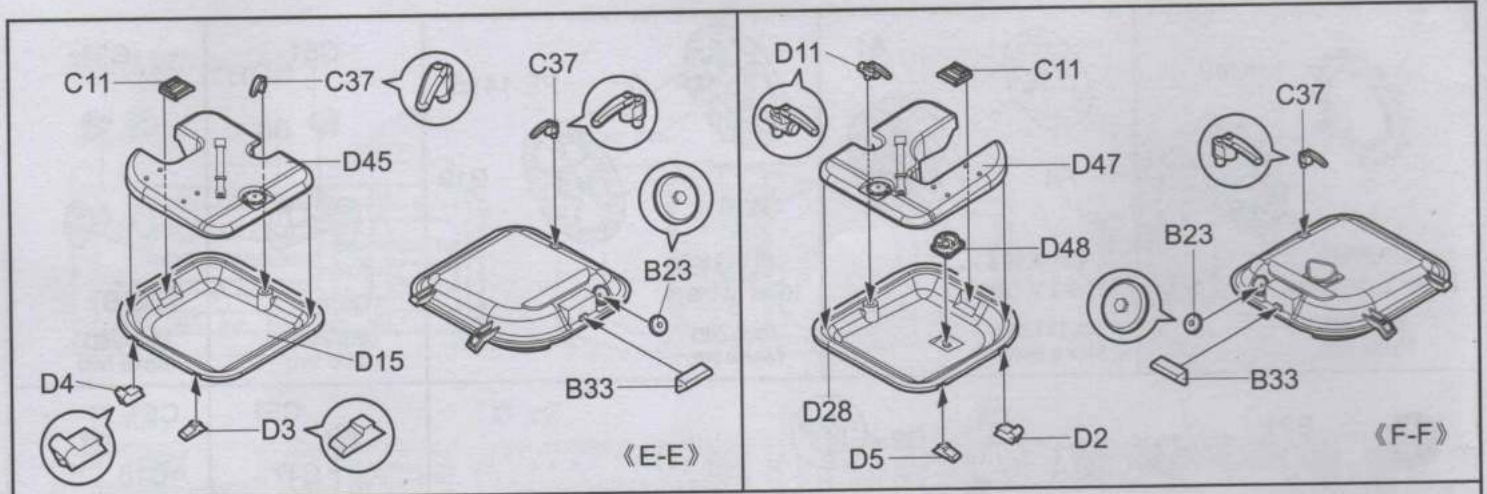


《履带》x2  
Track

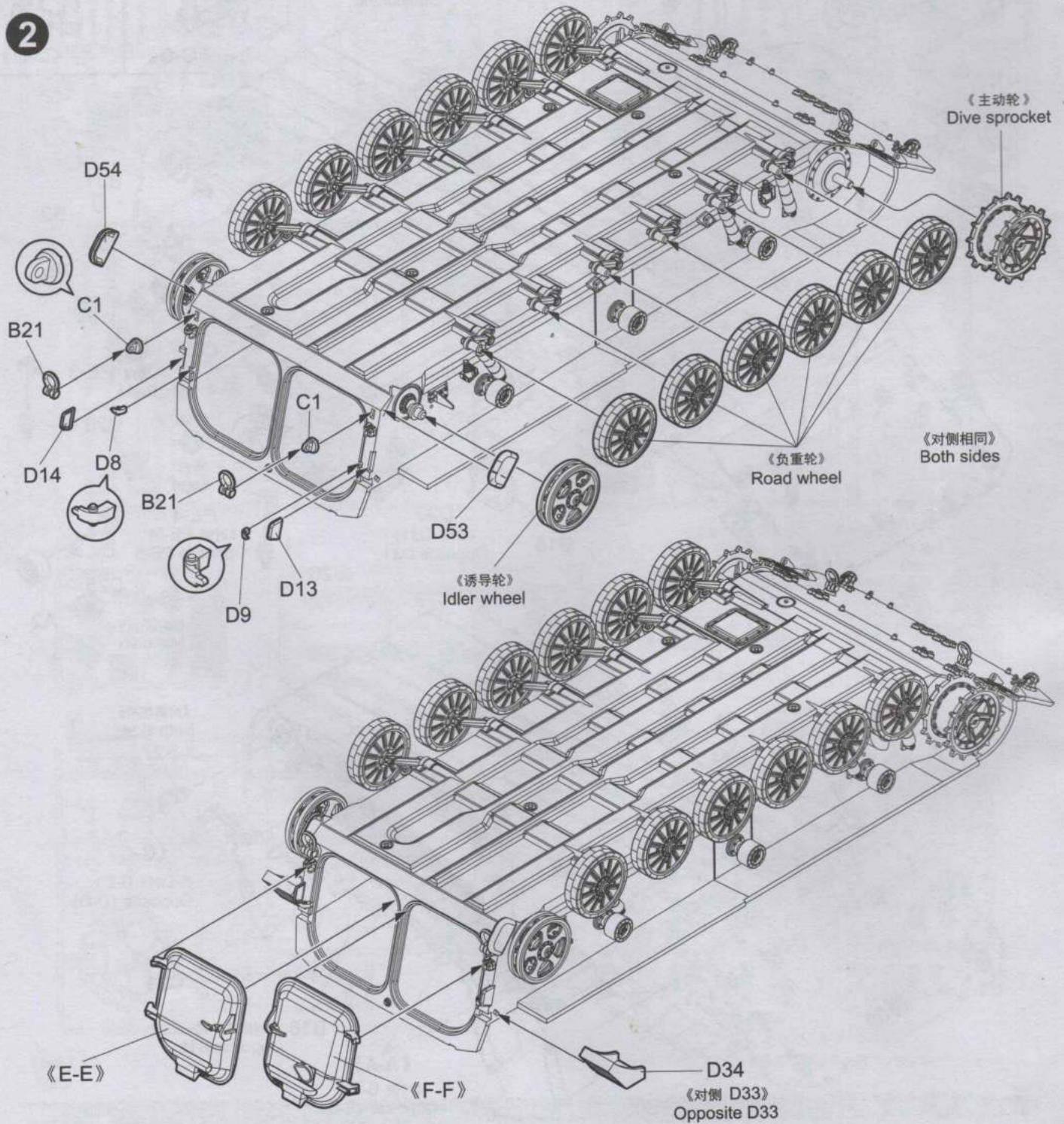


\* 阴影部分表示不用部品  
\* Shadow show no parts

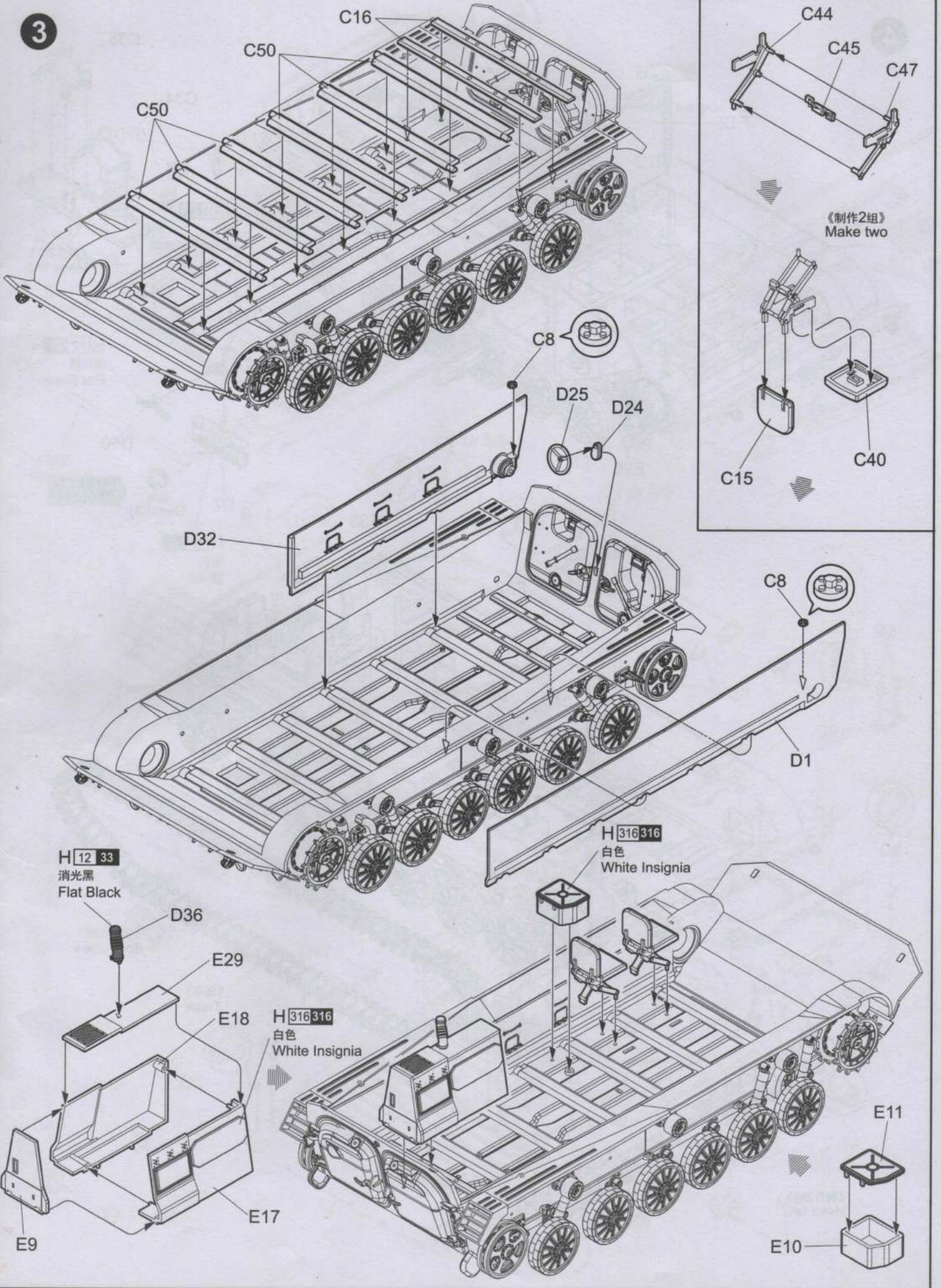




2



3

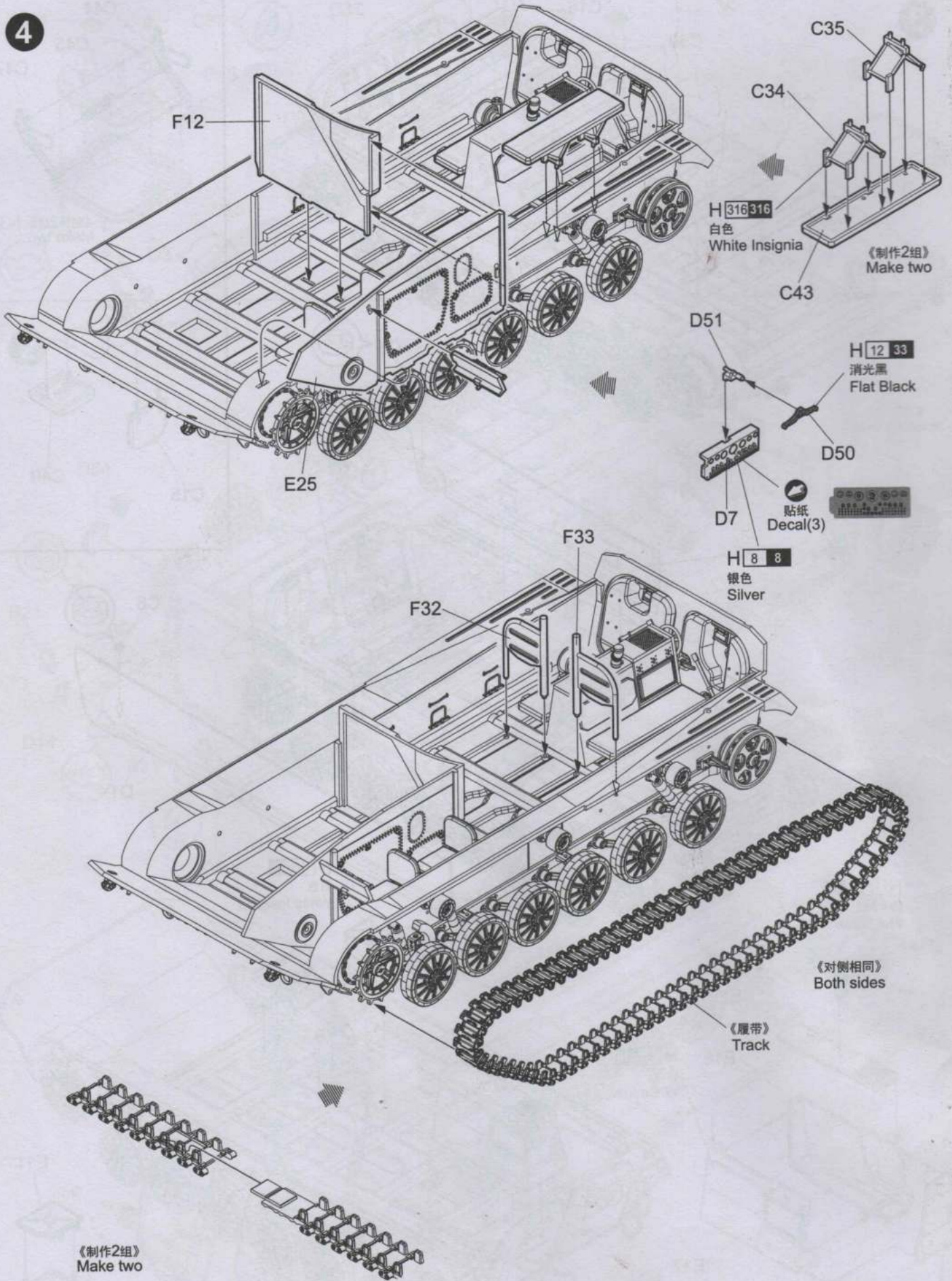


H 12 33  
消光黑  
Flat Black

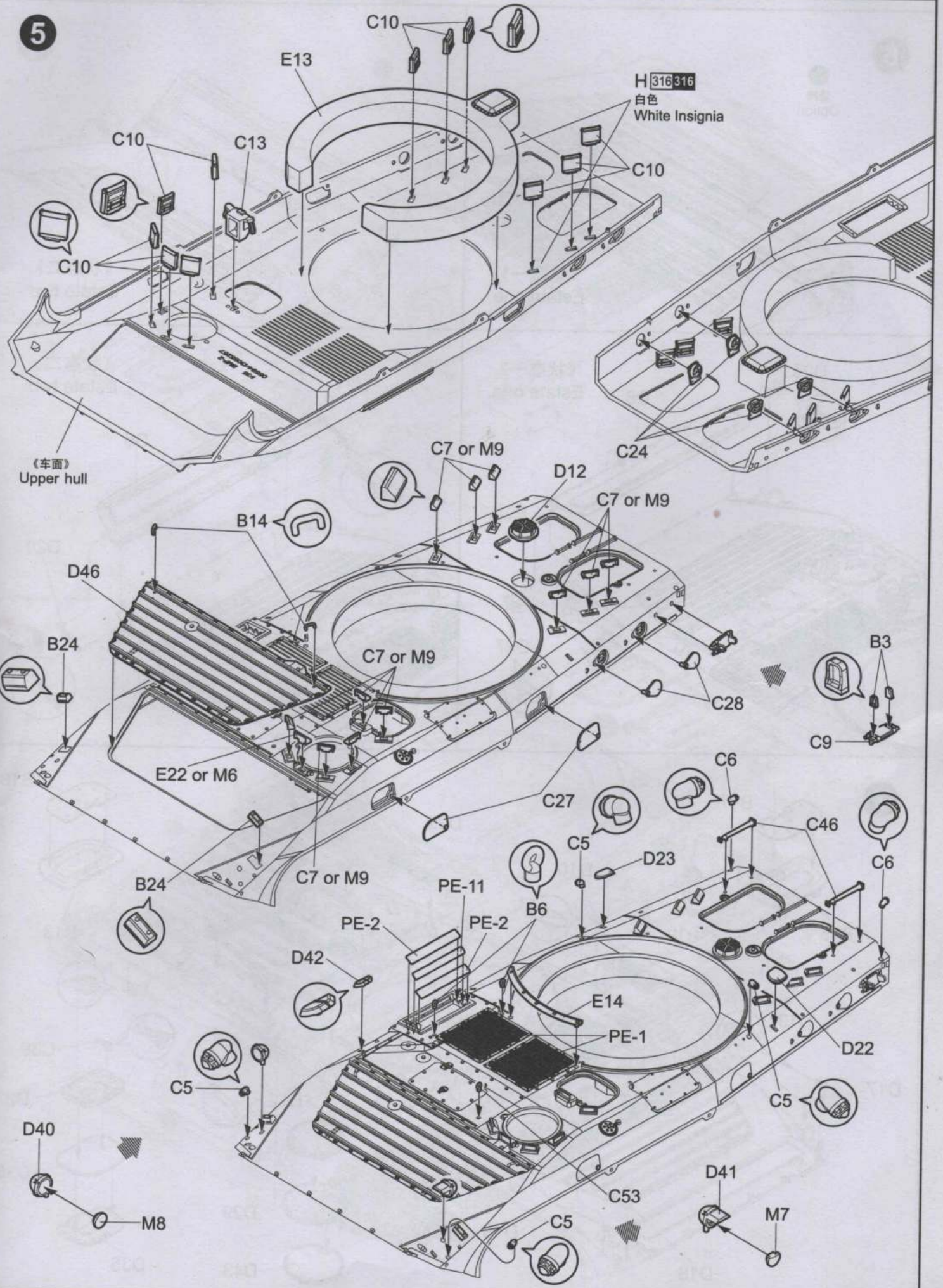
H 316 316  
白色  
White Insignia

《制作2组》  
Make two

4

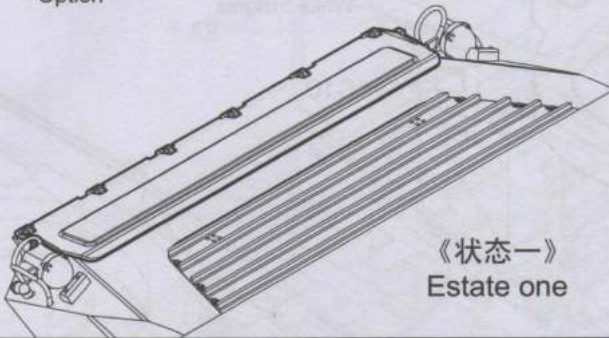


5

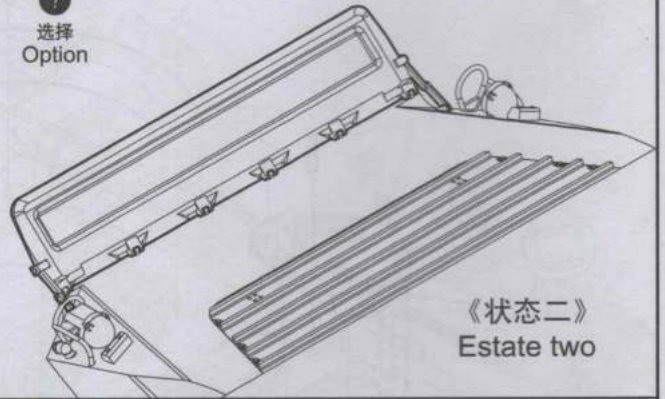


6

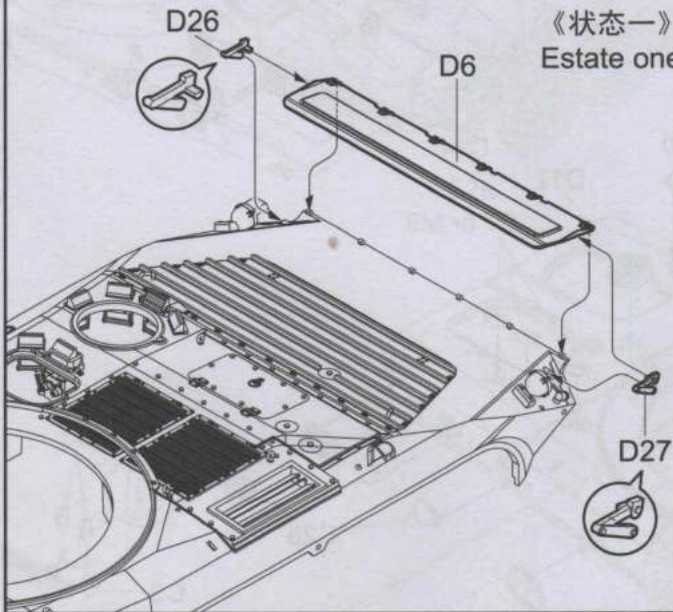
选择  
Option



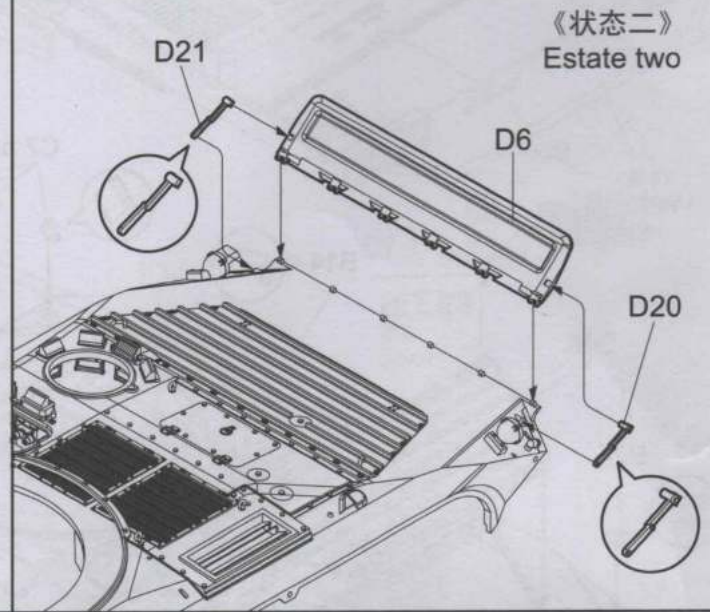
选择  
Option



《状态一》  
Estate one

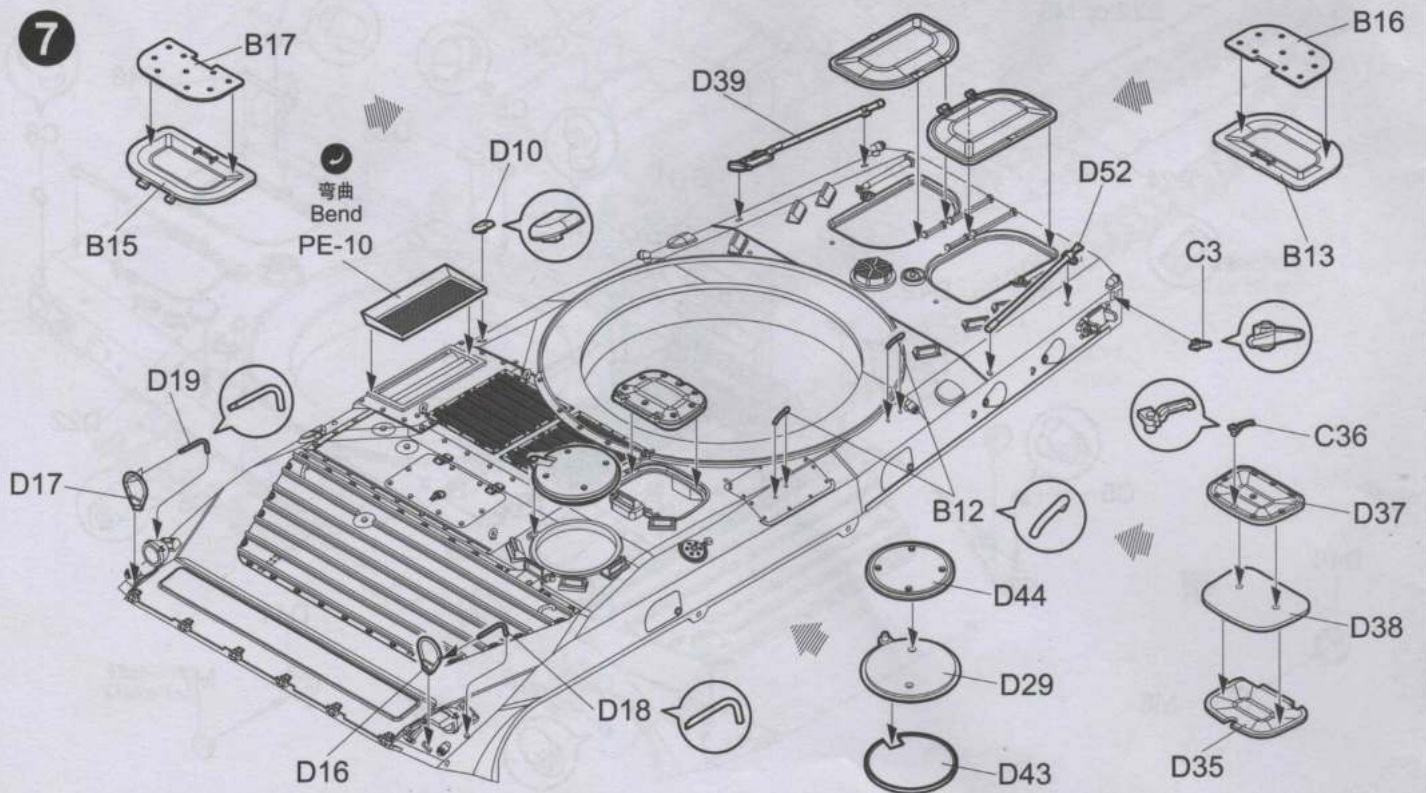


《状态二》  
Estate two



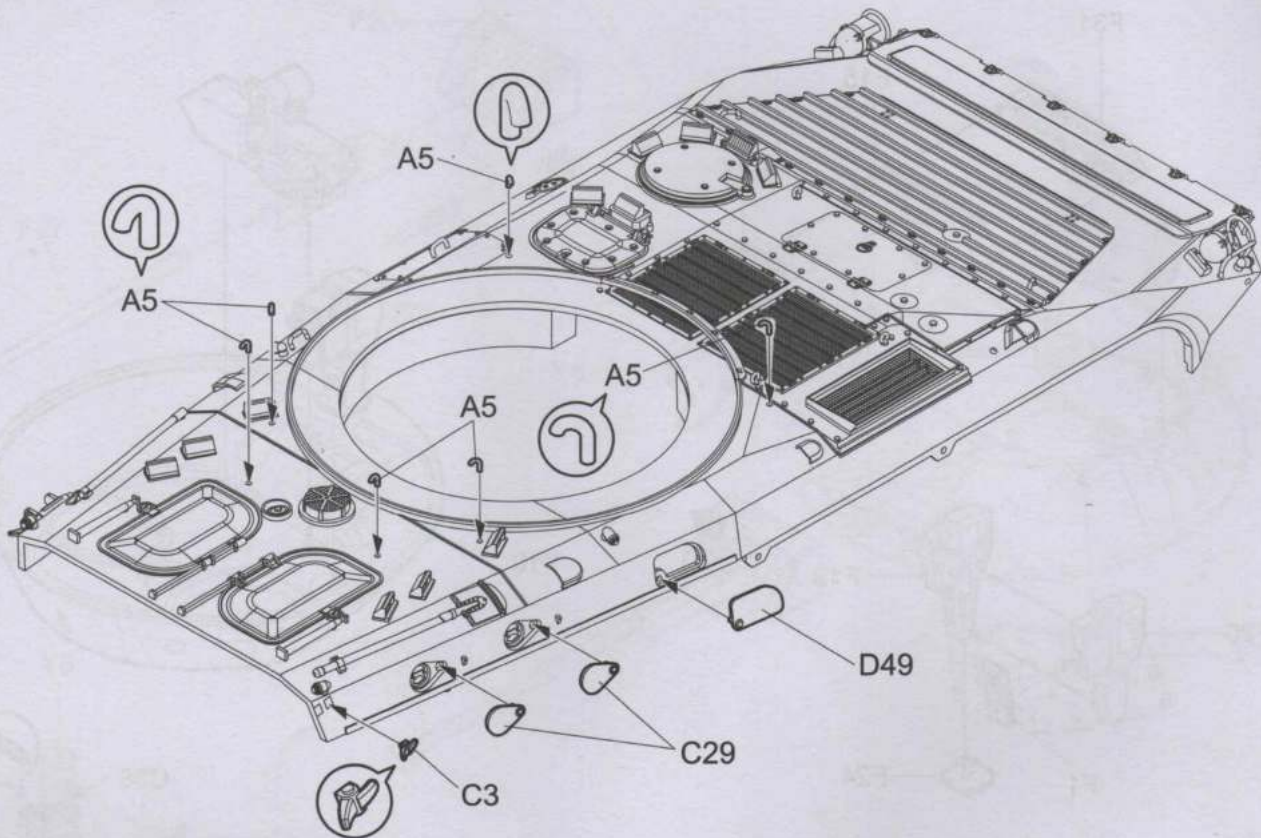
7

弯曲  
Bend  
PE-10

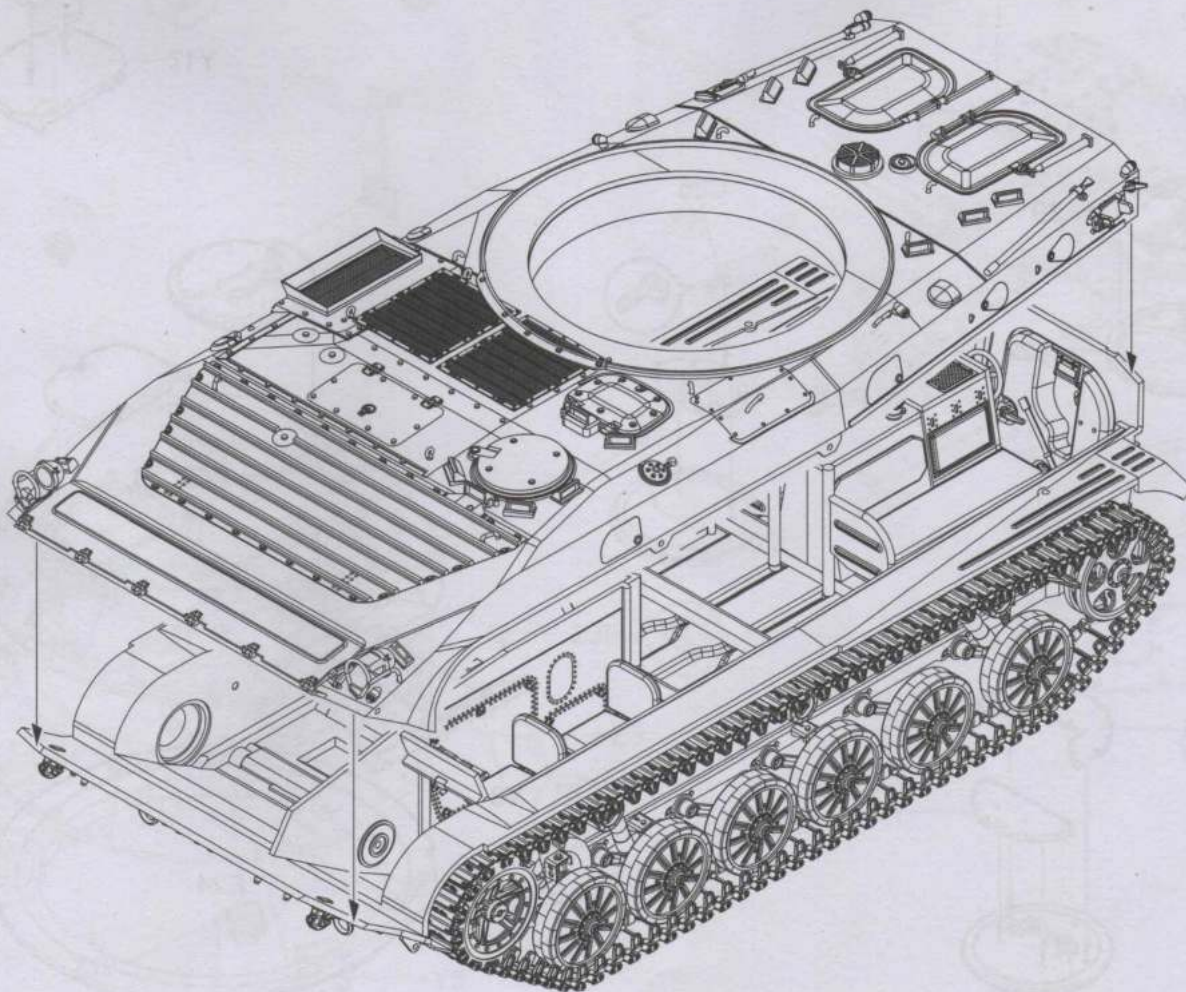




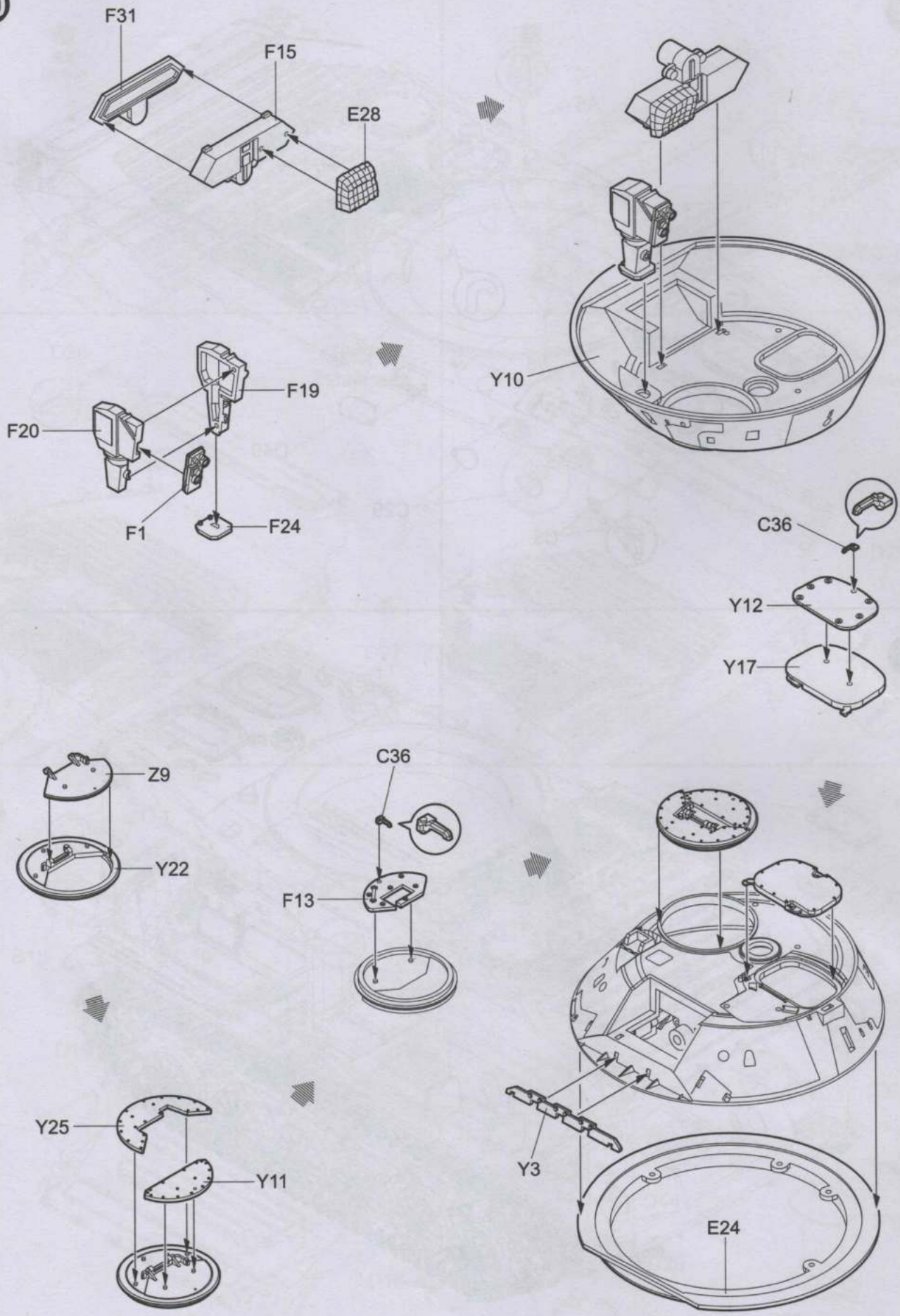
8



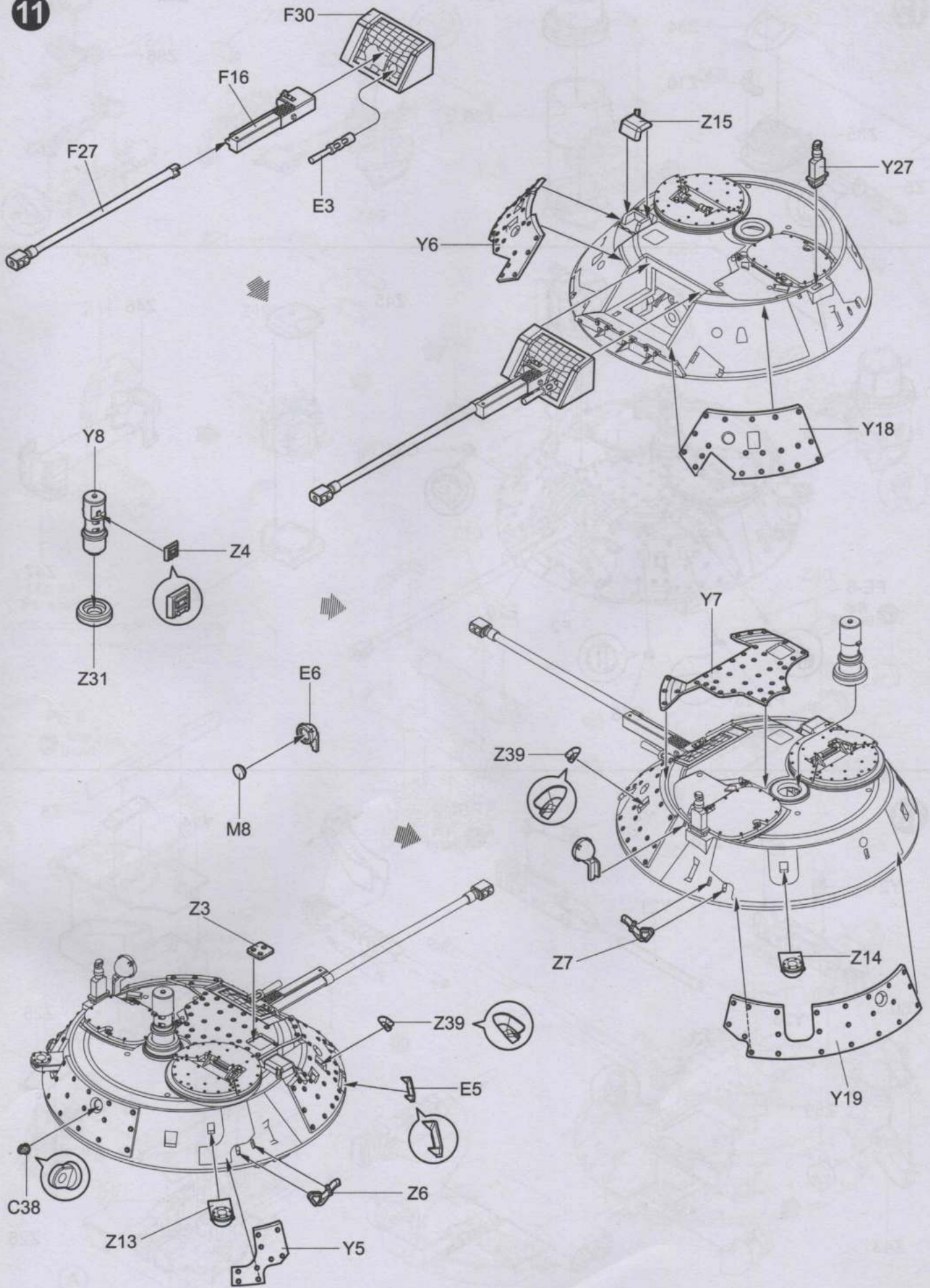
9



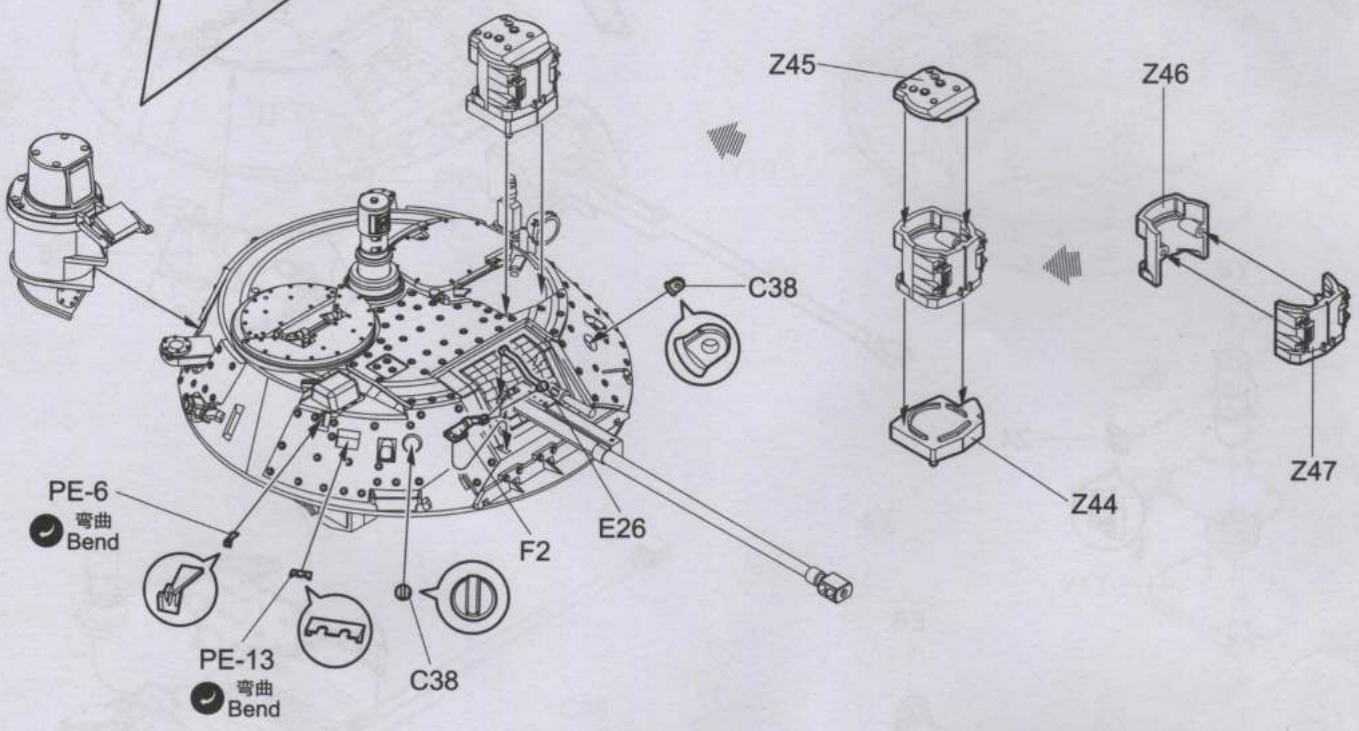
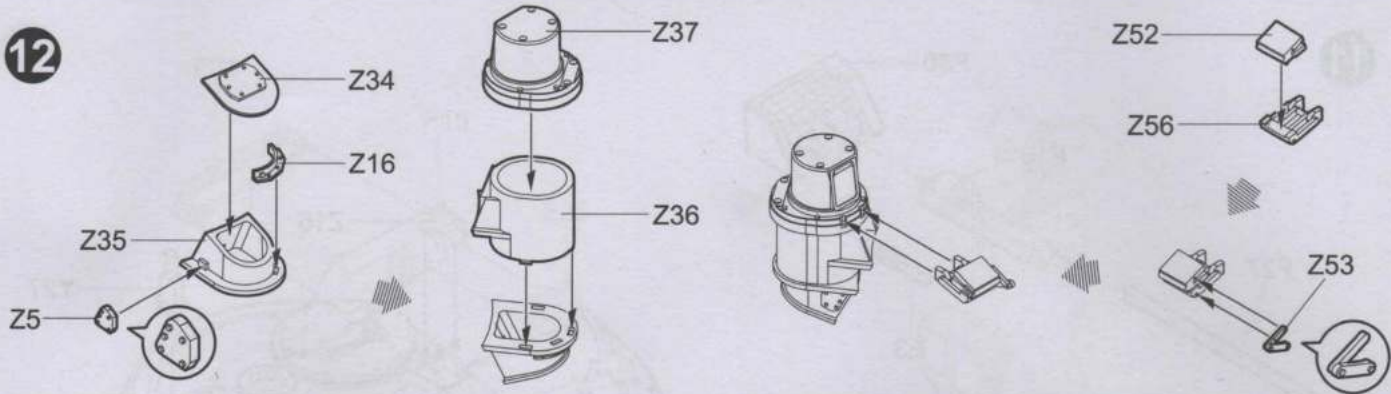
10



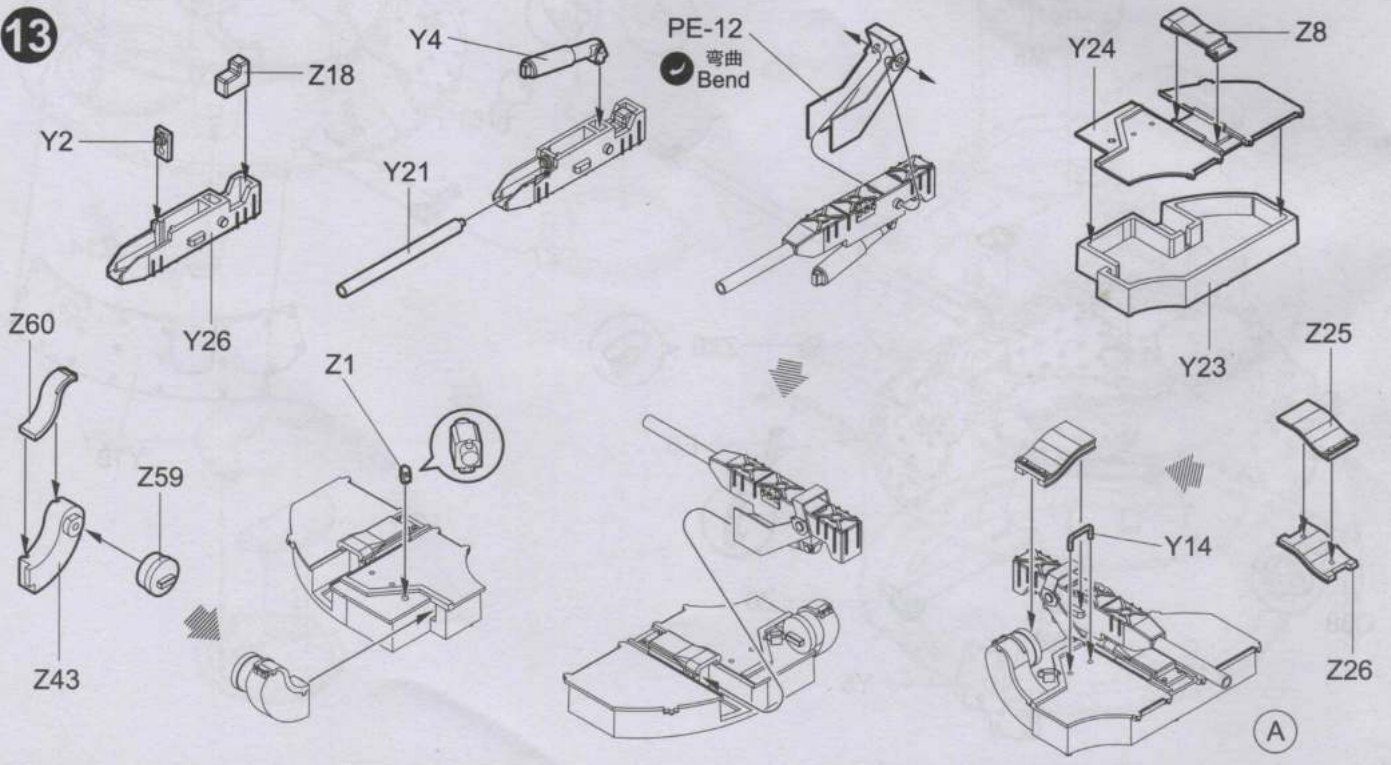
11



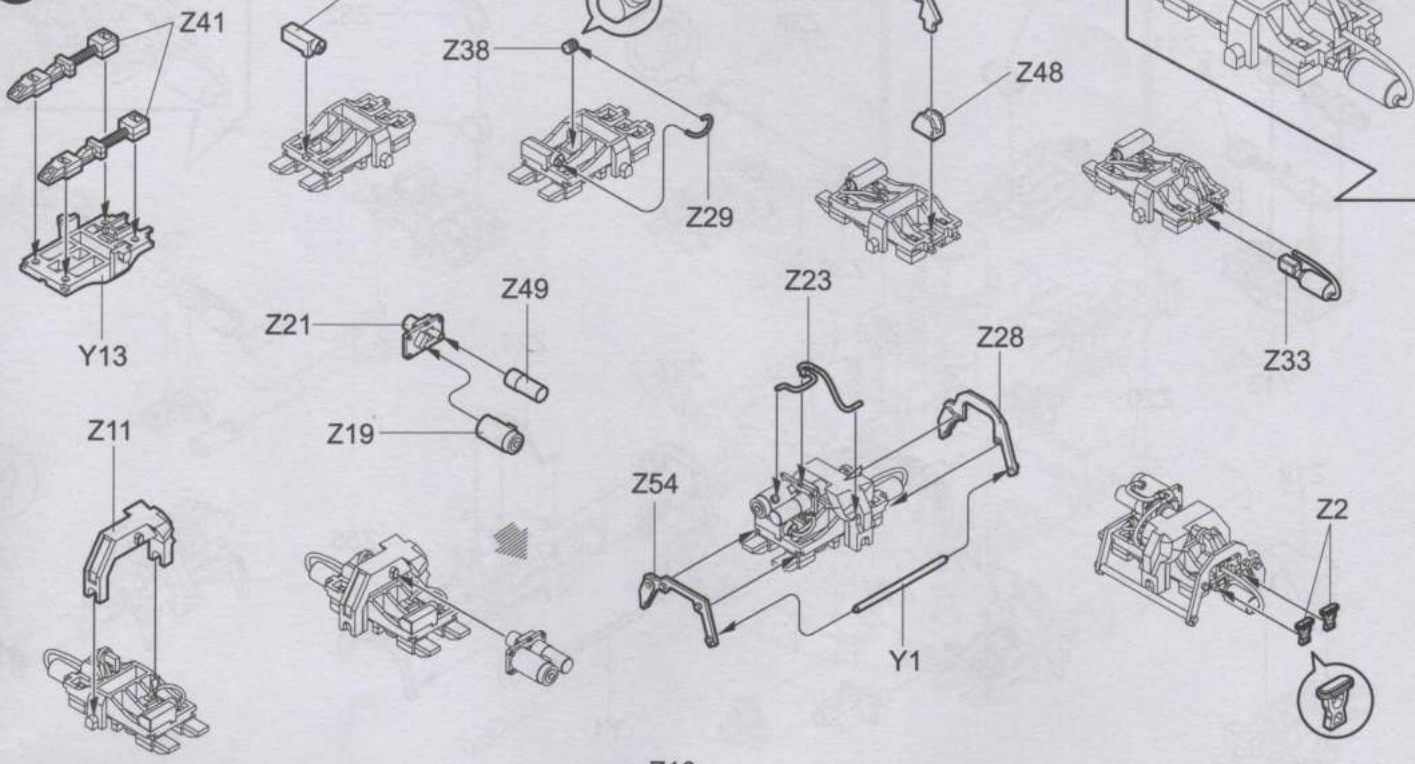
12



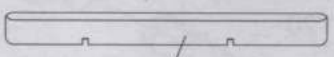
13



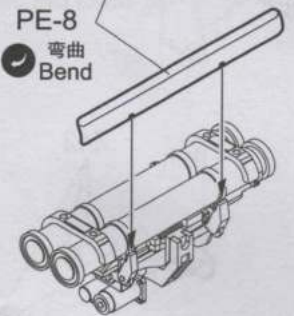
14



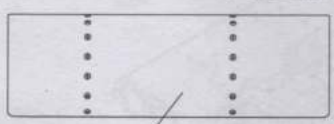
《全比例》  
For scale



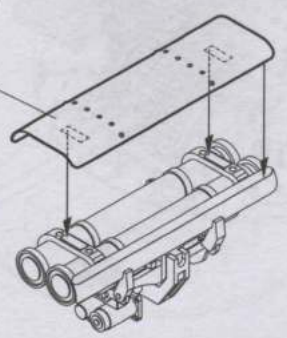
PE-8  
弯曲  
Bend



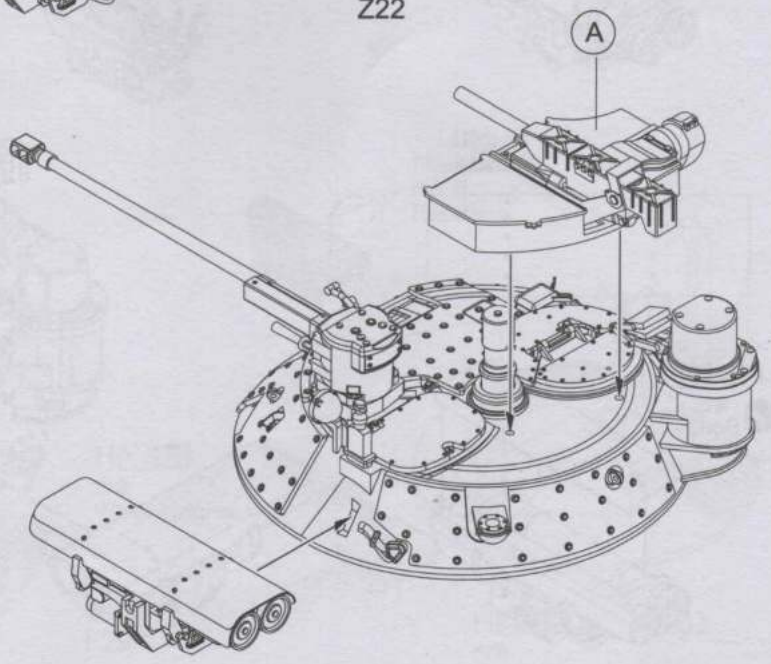
《全比例》  
For scale



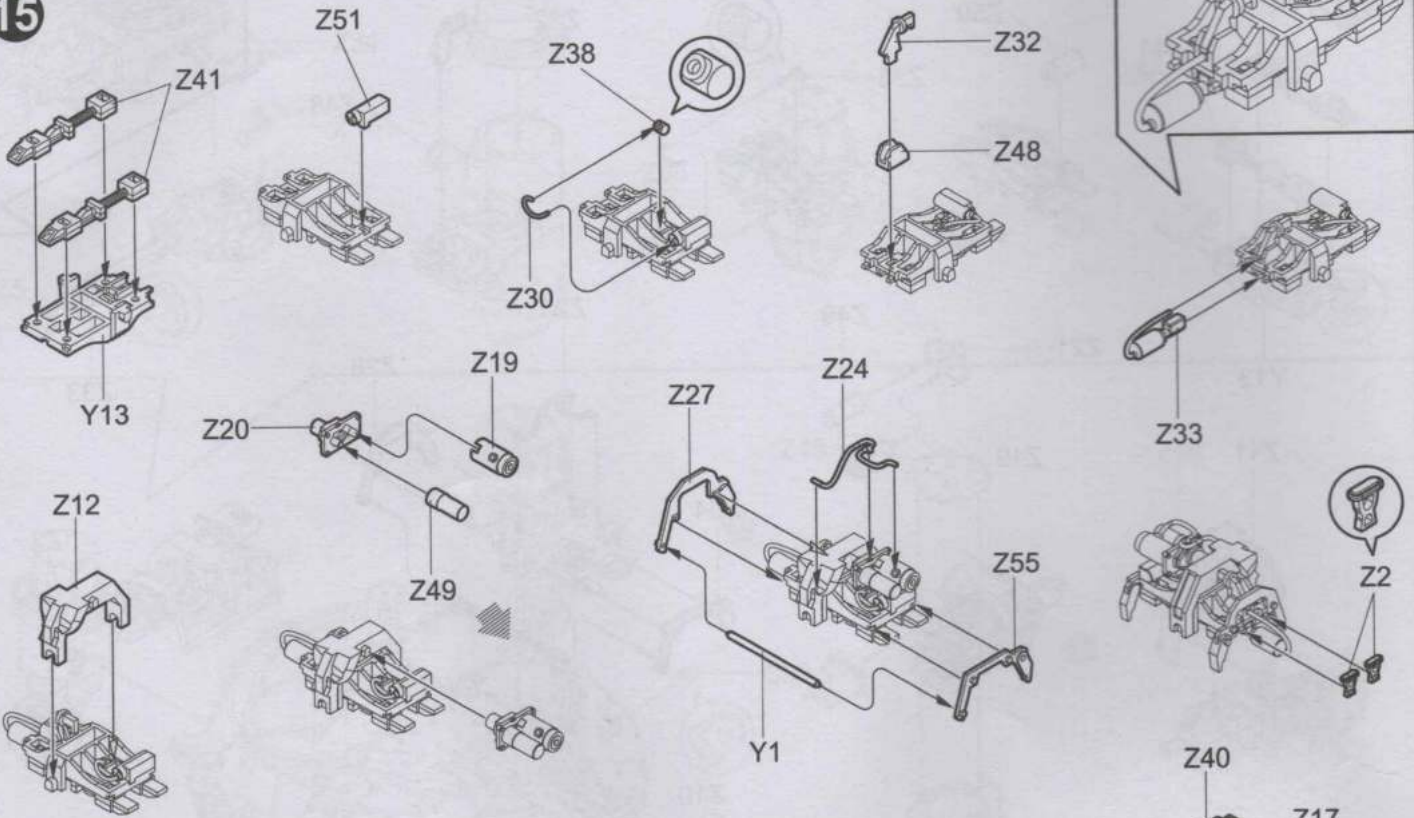
PE-16  
弯曲  
Bend



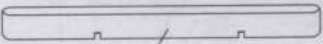
《制作2组》  
Make two



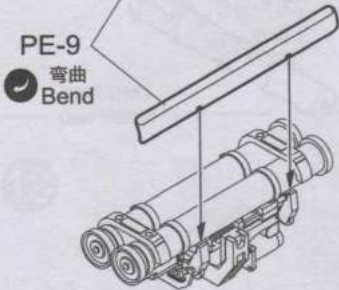
15



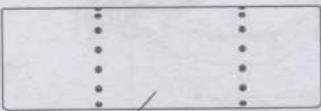
《全比例》  
For scale



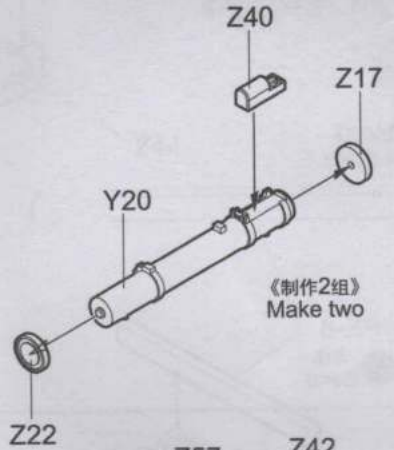
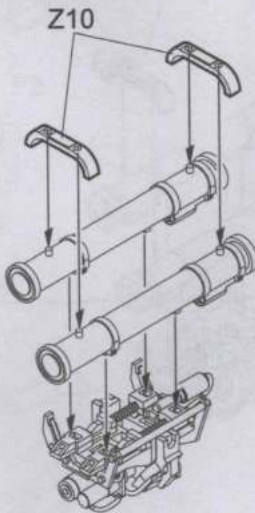
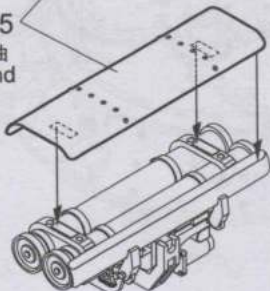
PE-9  
弯曲  
Bend



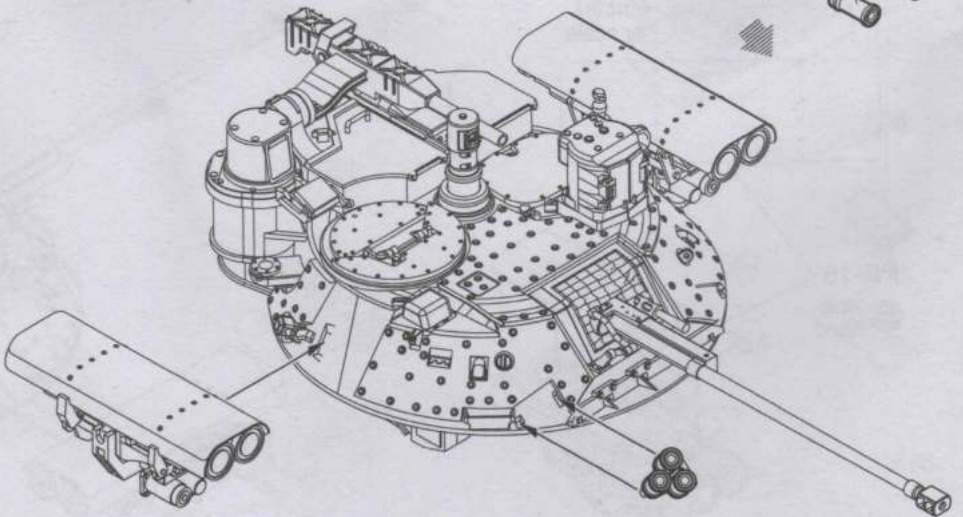
《全比例》  
For scale



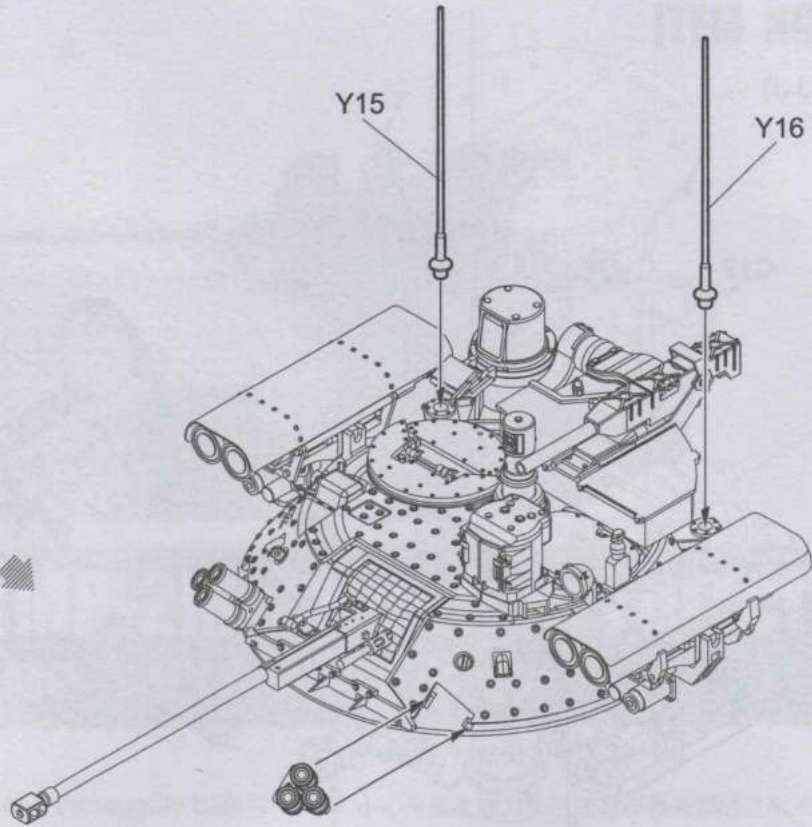
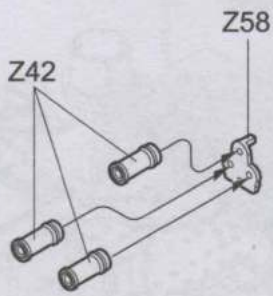
PE-15  
弯曲  
Bend



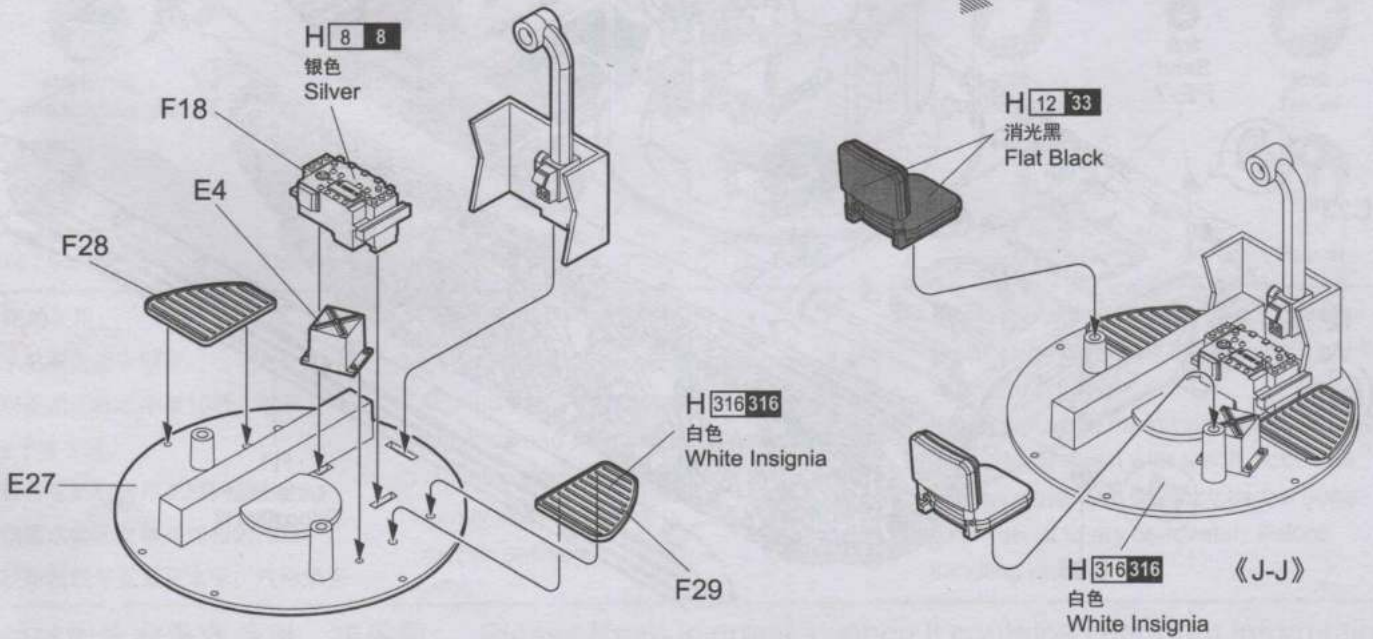
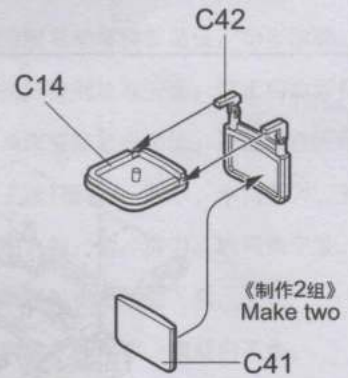
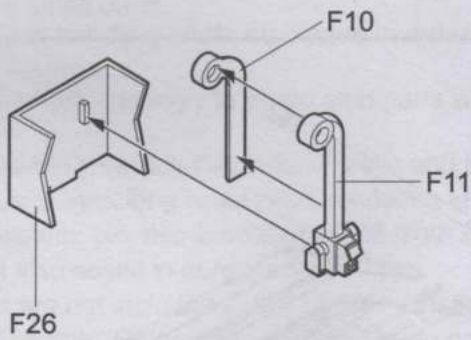
《制作2组》  
Make two



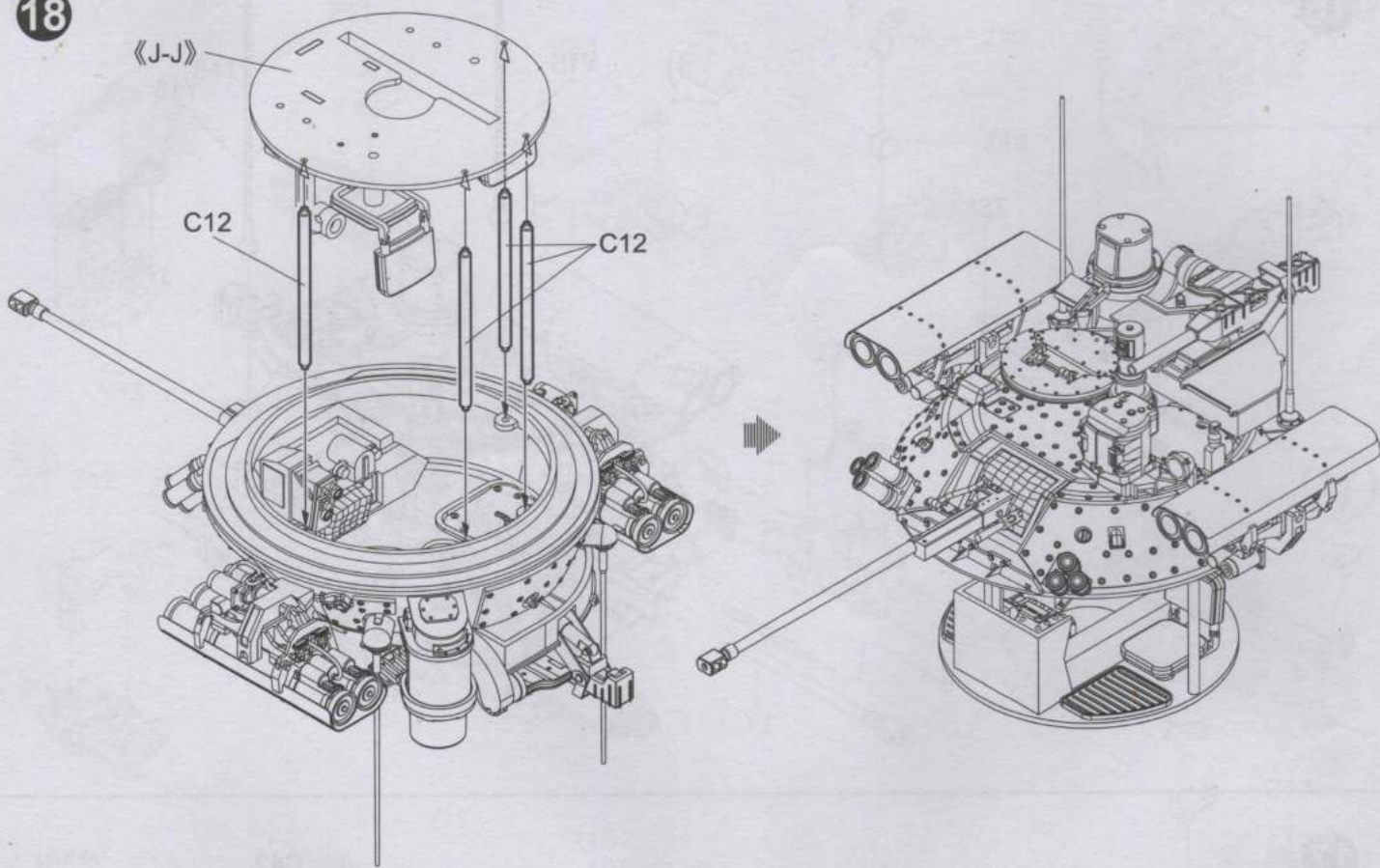
16



17



18



19

