

Focke-Wulf Ta 152H

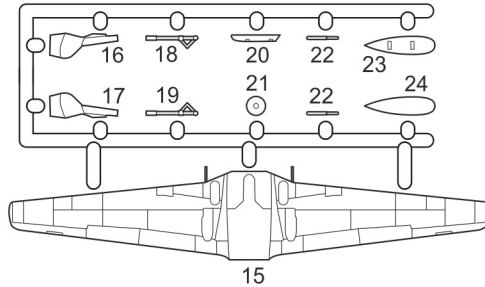
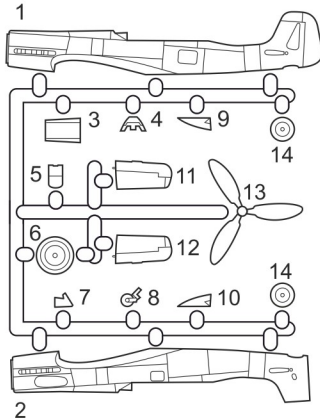
SPECIAL SCHEMES



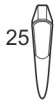
MKM14443
1/144 scale

MARK I Ltd.
PO Box 10
Prague 10 - Strašnice
CZ-100 31
Czech Republic
mark1@gmail.cz
www.4pluspublications.com

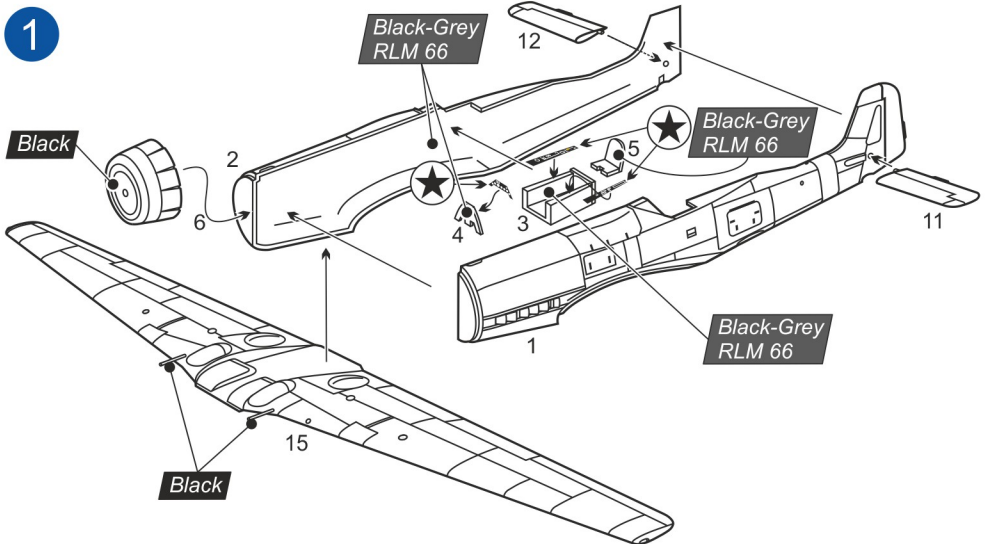
plastic parts



clear part

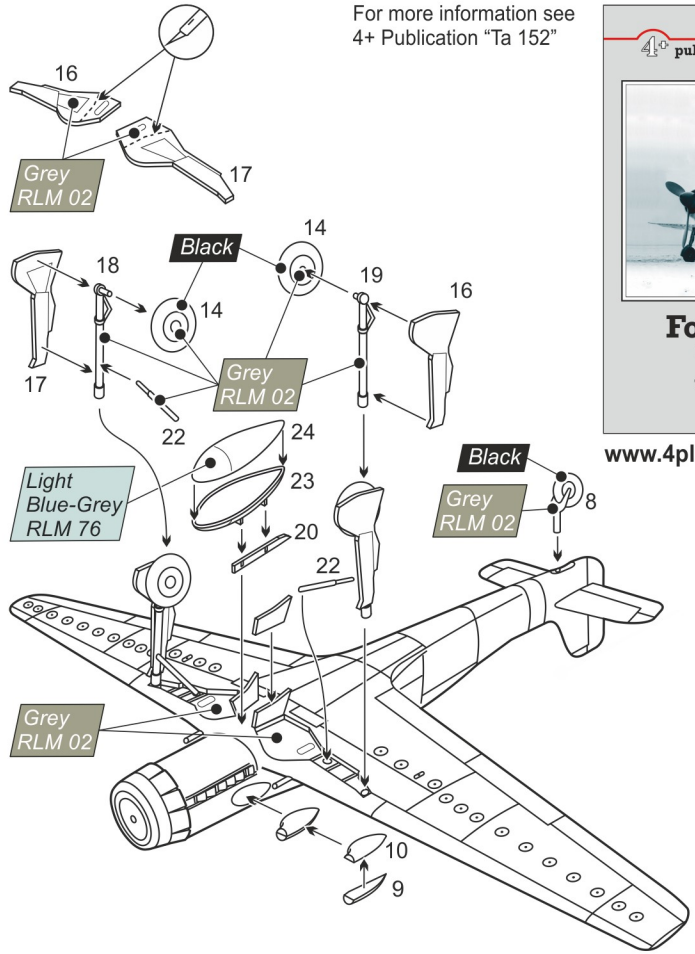


- 2x Repeat this operation
- Glue
- Don't glue
- Decal
- Detach/cut
- Optional



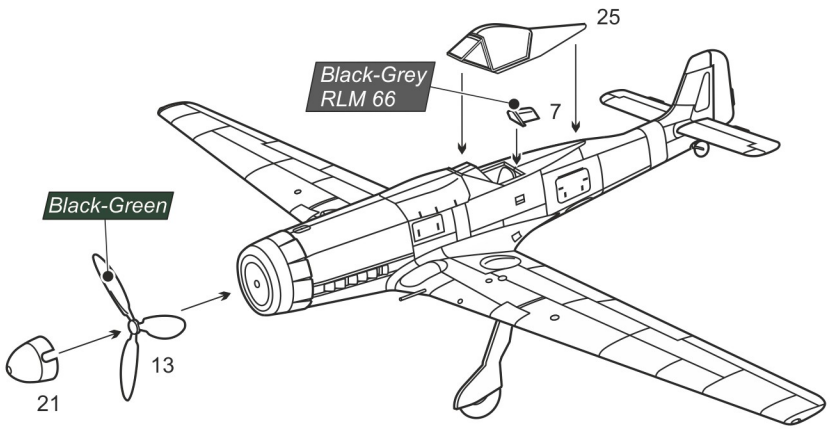
2

For more information see
4+ Publication "Ta 152"

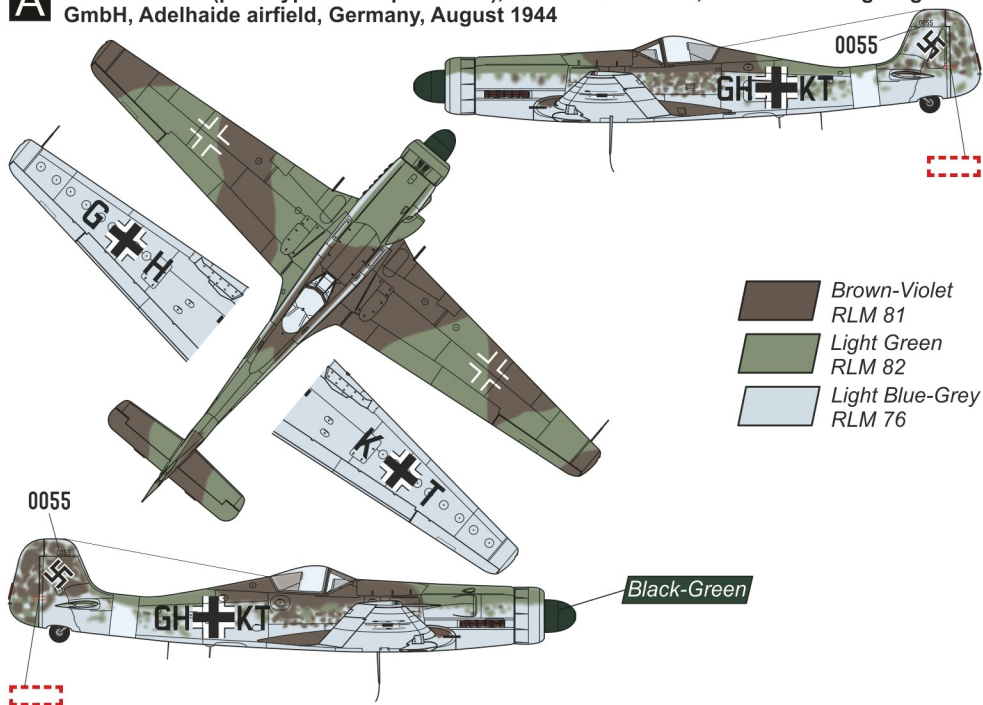


www.4pluspublications.com

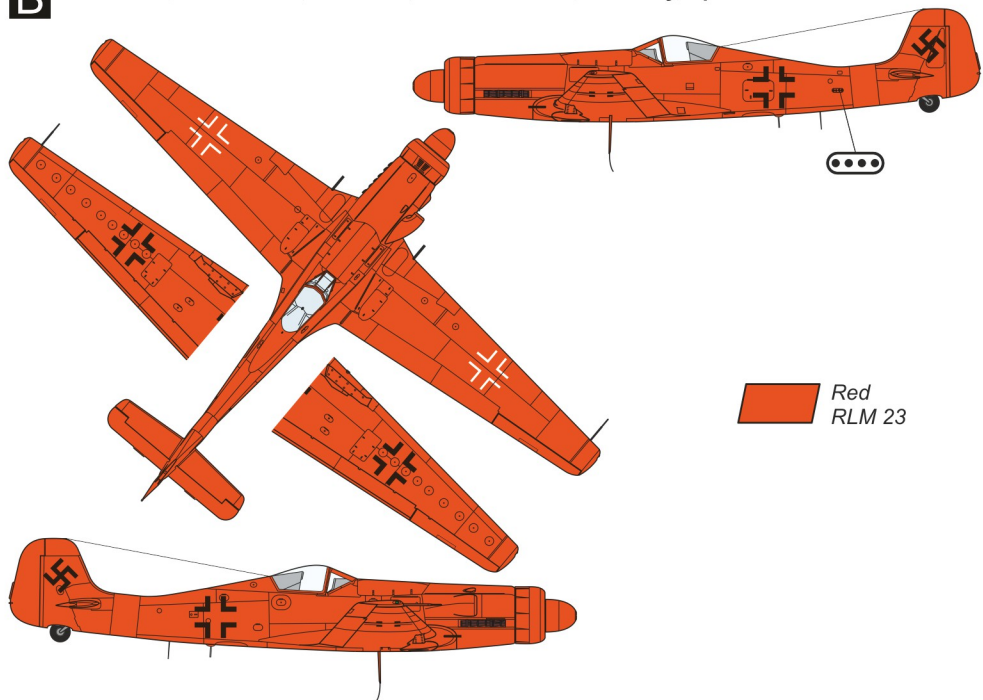
3



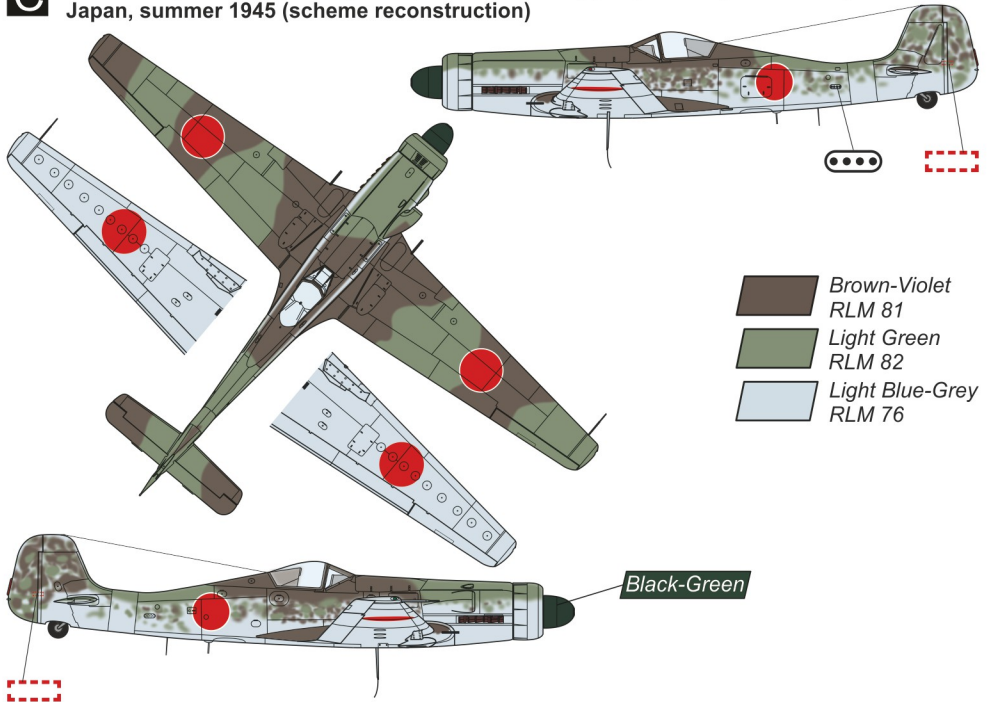
A Fw 190V30/U1 (prototype/development a/c), Black SH+KT/0055, Focke-Wulf Flugzeugbau GmbH, Adelhaide airfield, Germany, August 1944



B Ta 152H-0, Stab/JG 301, Luftwaffe, Stendal airfield, Germany, April 1945



C Ta 152H-0 (aircraft reportedly bought from Germany), Imperial Japanese Army Air Force, Japan, summer 1945 (scheme reconstruction)



D Ta 152H-0, Green 4, Wright Field Air Base, U.S.A., late 1945

