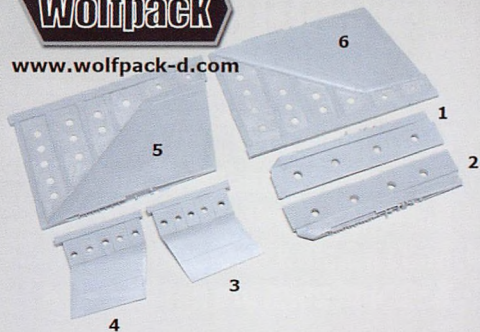


# Wolfpack

www.wolfpack-d.com



\*Total : 6 resin parts

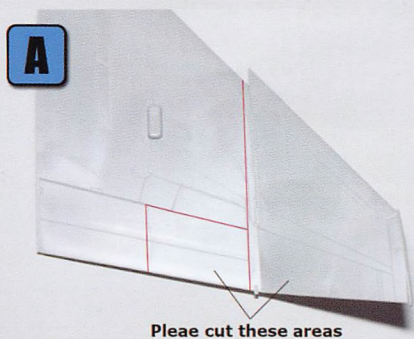
## F-4 Phantom II Wing Folded set for Hasegawa 1/48

WP48146

1/48  
Scale



Photo by Gustav Jung



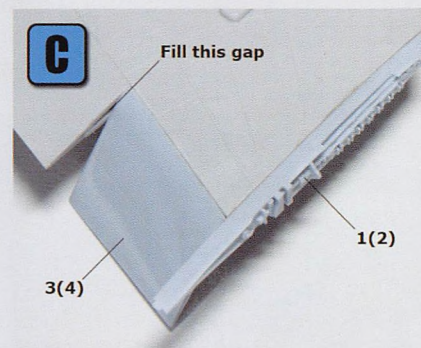
(A) Cutting (Top wing)

Please cut kit's lower wings same as this photo.



(B) Cutting (Under wing)

Please cut kit's lower wings same as this photo.



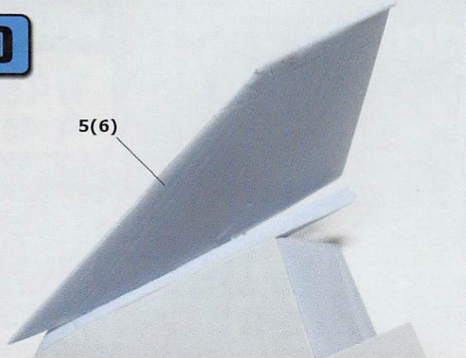
(C) Folding wing detail

Next, you should install folding wing section and aileron.

\*( ) is opposite number.

\*This set is available for Hasegawa 1/48 F-4B/C/D/J/N & Phantom FG.1/FGR.2 Hard wing Phantom II.

**D**



5(6)

**E**



# WARNING !

1. This is not a Toy.
2. Experienced modellers only.
3. Not for age under 10.
4. Don't inhale & eat resin dust.
5. Glue and paint are not included.

[www.wolfpack-d.com](http://www.wolfpack-d.com)

References from

Daco Pub, Uncovering  
US Navy F-4B/J/N/S Phantom II

Special thanks to

RAF Museum at Hendon, UK

Wolfpack-Design Copyright(c)2012

F2, 352, Gwangdoek 4-ro, Sangroku,  
Ansan-si, Gyeongido,  
15489, Republic of Korea

(D) Final assembly

Finally, you should install outer wing.

(E) Referemces photos

RAF Phantom FGR.2 in RAF Museum, Hendon,  
London, UK  
Photo by Gustav Jung

\*Recommended and suggested kit

- Hasegawa 1/48 F-4C/D/J Phantom II
- Hasegawa 1/48 F-4K/M British Phantom II
- Daco Pub. Uncovering US Navy F-4B/J/N/S Phantom

