



F-104J / F-104DJ Starfighter J.A.S.D.F.

The F-104DJ is a fighter serving double duty as a trainer. It has the same flight characteristics as the single-seater, flying as fast and as high and climbing as quickly. The two-seater carries the same communication and navigation systems as the F-104J and can fly missions with the Sidewinders, unguided rockets and bobs under its wings. The front cockpit of the F-104DJ is fitted with the same control panels and instrument displays as the F-104J and it can be flown from either cockpit. However, it lacks the capability to fly in auto-pilot mode and as such lacks the auto-pilot control panel and the associated computer.

The F-104DJ has no provision for the Vulcan cannon. The gun compartment of the single-seater is used for an internal auxiliary fuel tank containing an extra 150 liters. Although the F-104DJ lacks the internal well for the centerline pylon and as such is not capable of carrying this pylon. Twenty were built by Lockheed between July of 1962 and January 1964. Lockheed assembled the first at their Burbank facility, and the remaining 19 were assembled by Mitsubishi and Kawasaki. After their retirement in Japan, the U.S. delivered some F-104J/DJs to the Taiwanese Air Force.

CAUTION ⚠️

- *Read carefully and fully understand the instructions before commencing assembly.
- *Keep out of reach of children. Children must not be allowed to put any parts in their mouths, or pull plastic bag over their heads.
- *When using adhesives and paints, please make sure not to use them in closed room or near the fire.
- *When assembling this kit, tools including knives are used. Extra care should be taken to avoid injury.

WARNING: CONTAIN SMALL PARTS NOT FOR CHILDREN UNDER 14 YEARS OF AGE.



TOOLS RECOMMENDED

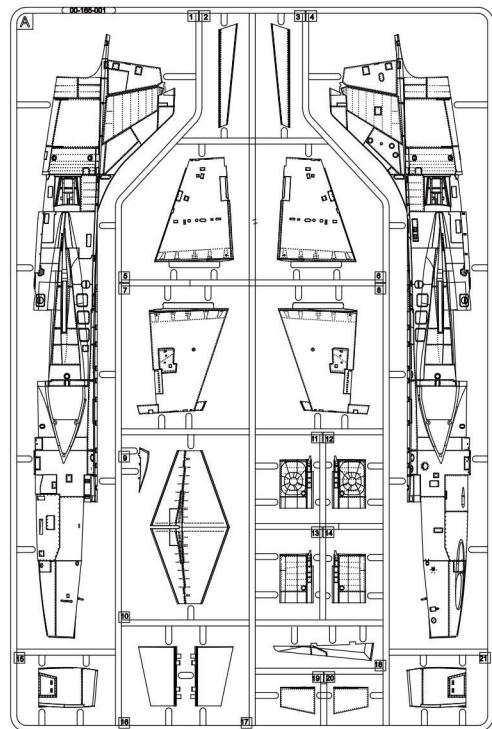


AFTERMARKET SERVICES CARD

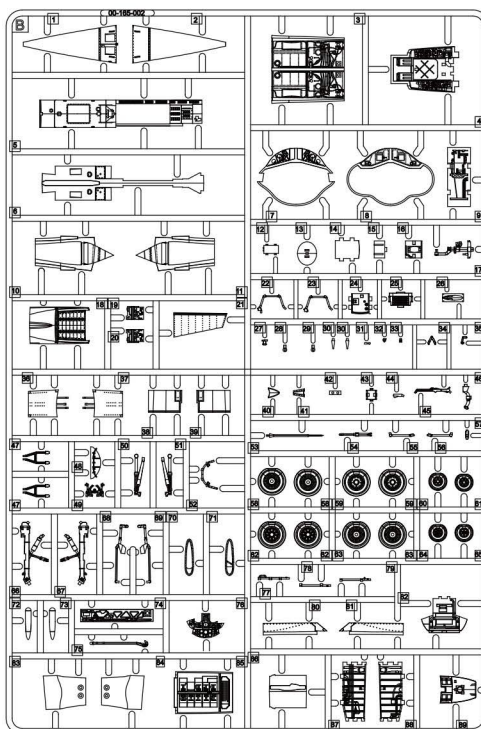
When requesting replacement parts, please take or send^a this form to your local dealer so that the parts required can be correctly identified. Please note that specifications and availability re subject to change without notice. Or visit <http://www.kineticmodel.com> for latest information. For more information, please contact services@kineticmodel.com

Part Code	K48089	Qty	Item
00-165-001	1/48 F-104G FUESLAGE, COCKPIT, ACCESSORIES	1	A
00-165-002	1/48 F-104 WINGS, TANK ACCESSORIES	1	B
00-165-003	1/48 F-104 NLG,MLG PARTS	2	C
00-165-004	1/48 F-104G/TF-104G CANOPY	1	D
01-165-005	1/48TF-104G FUESLAGE	1	E
01-165-48092	1/48 F-104J/F-104DJ	1	Decal
03-165-48092	1/48 F-104J/F-104DJ	1	MANUAL
06-165-48089	1/48 F-104/TF-104 PE	1	PE

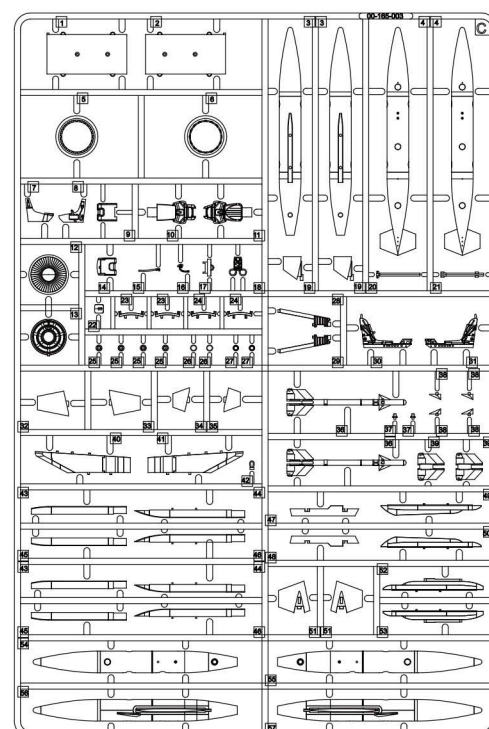
A



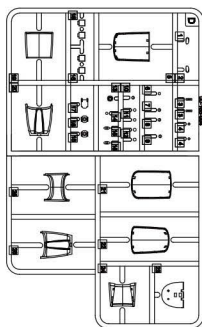
B



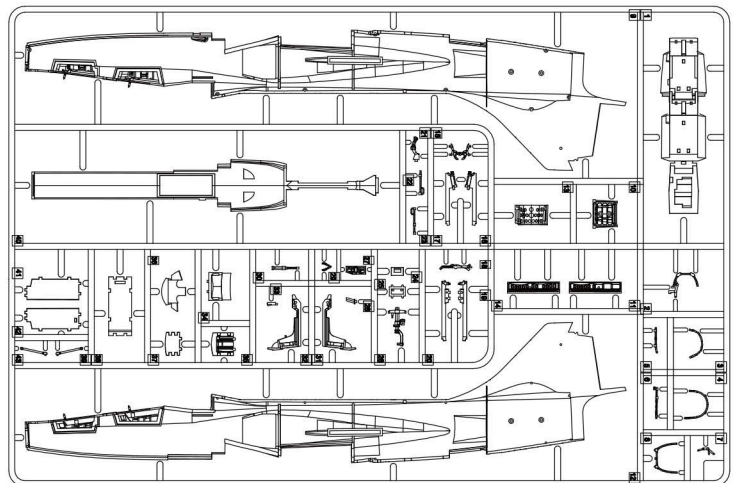
C



D



PE

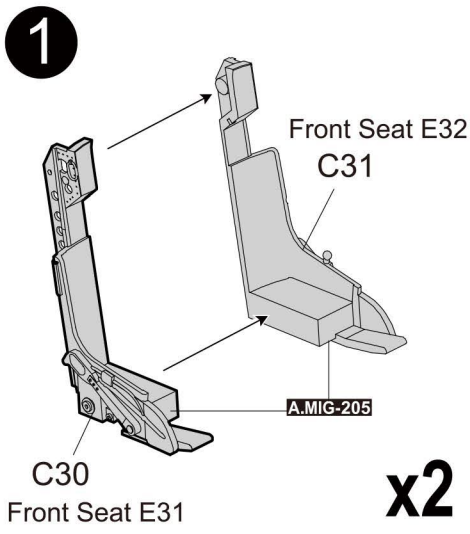


E

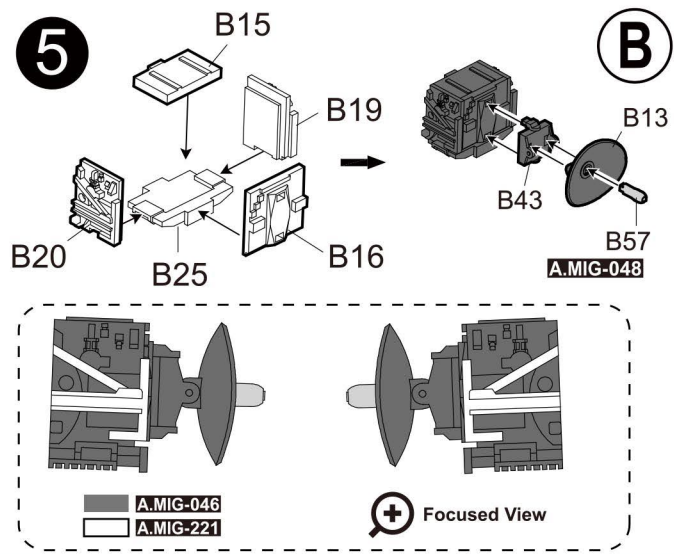
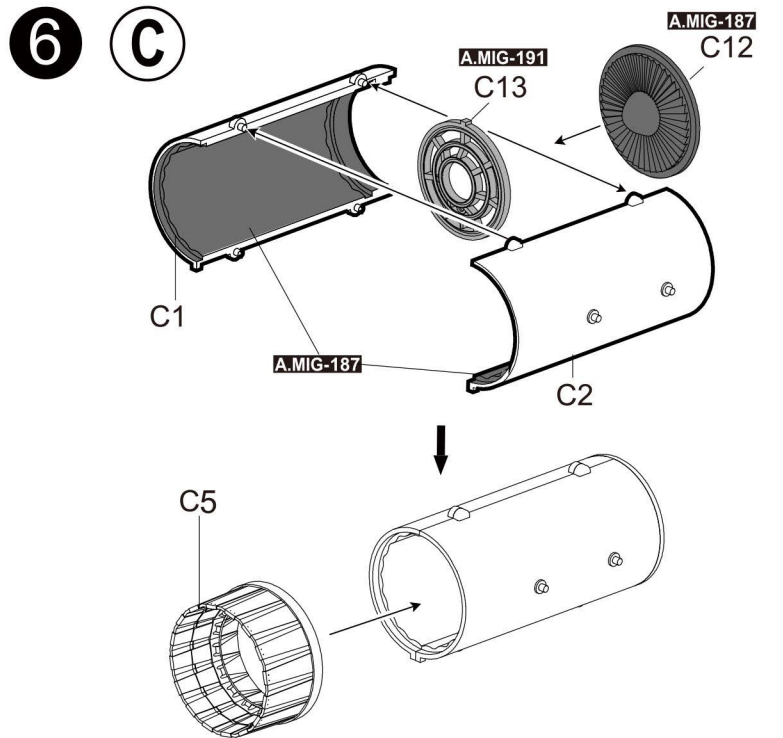
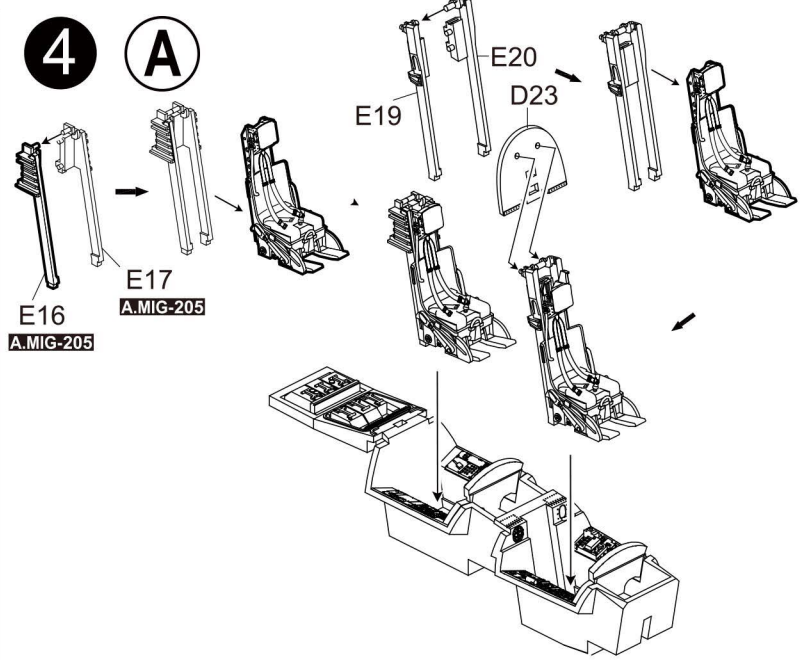
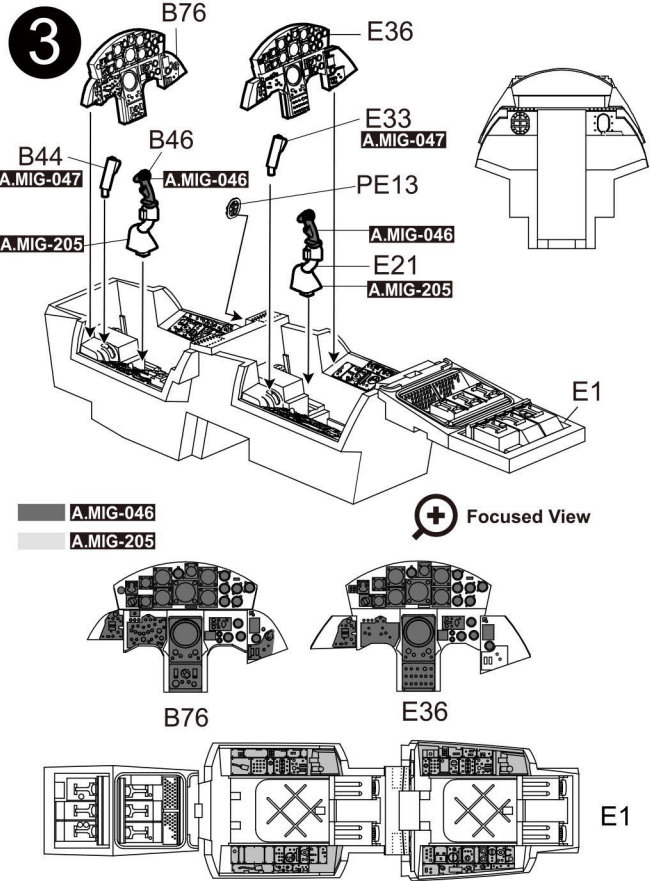
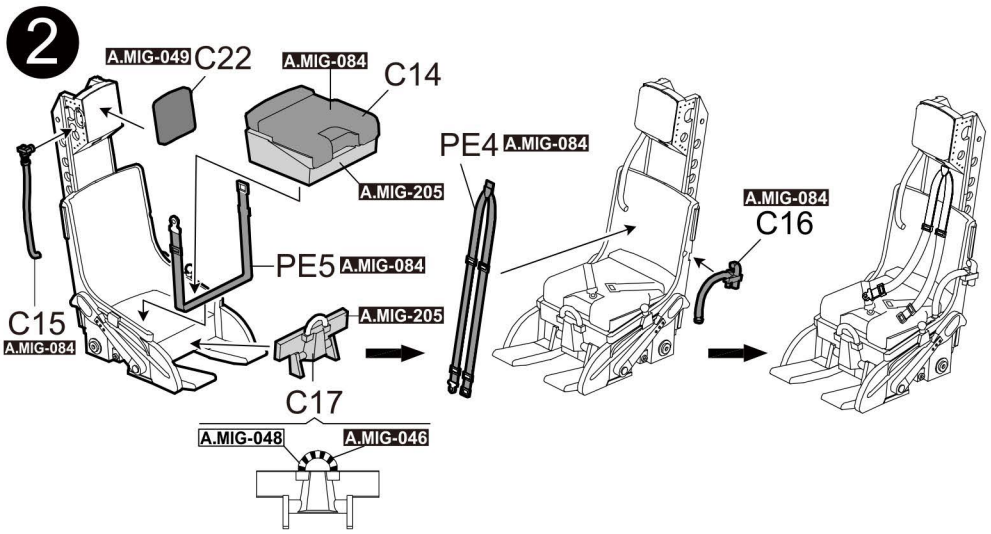


COLOR	AMMO MIG	VALLEJO MODEL COLOR	GSI CREOS MR. COLOR	TAMIYA ENAMEL/ACRYLIC	HUMBROL ENAMEL
RUBBER & TIRES	A.MIG-033	70.306	137	XF-85	-
MATT BALCK	A.MIG-046	71.057	33	XF-1	33
SATIN WHITE	A.MIG-047	70.842	1	X-2	22
YELLOW	A.MIG-048	71.002	4	XF-3	69
RED	A.MIG-049	71.003	3	XF-7	153
NATO GREEN	A.MIG-084	71.093	54	XF-67	117
CRYSTAL GREEN	A.MIG-092	70.936	138	X-25	-
CRYSTAL RED	A.MIG-093	70.934	47	X-27	220
CRYSTAL LIGHT BLUE	A.MIG-187	71.073	61	XF-4	-
STEEL	A.MIG-191	70.864	28	-	27003
SILVER	A.MIG-195	71.063	8	X-11	11
GHOST GRAY FS 36375	A.MIG-203	70.990	308	-	-
GUNSHIP GRAY	A.MIG-204	71.047	305	XF-77	125
FS 26231	A.MIG-205	71.051	317	-	27
FS 33481 ZINC CHROMATE YELLOW	A.MIG-221	71.107	27	XF-4	-
FS34092 MEDIUM GREEN	A.MIG-238	70.895	302	XF-26	149
REAL IDF SAND GREY 73	A.MIG-132	71.141	45	-	-
SATIN BLACK	A.MIG-032	70.861	2	X-18	21
OLIVE DRAB BASE	A.MIG-926	71.286	304	-	-
RESEDAGRÜN B	A.MIG-004	-	340	-	-

For Color Profile, please go to www.kineticmodel.com for download
(type the kit# and go for manual/painting guide)

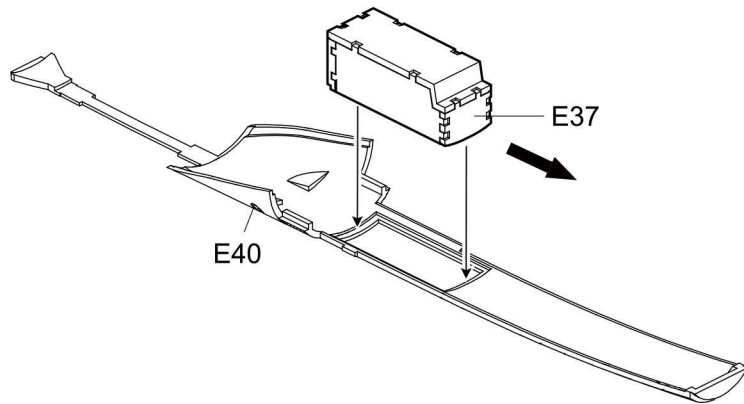
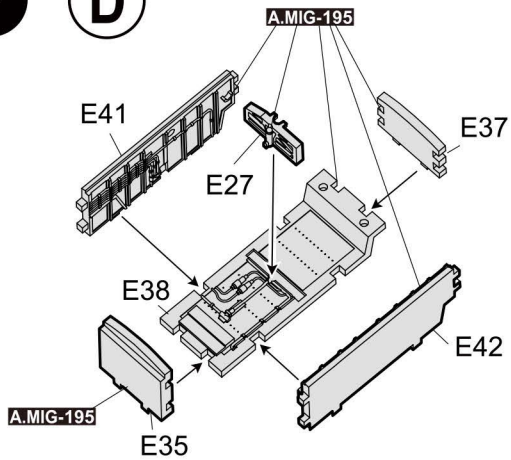


x2



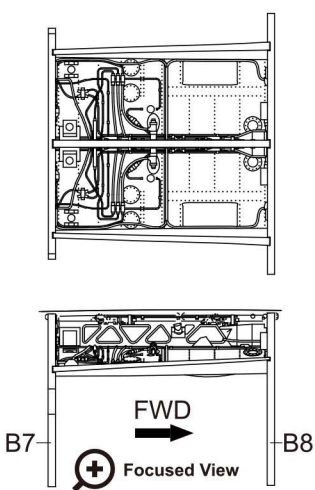
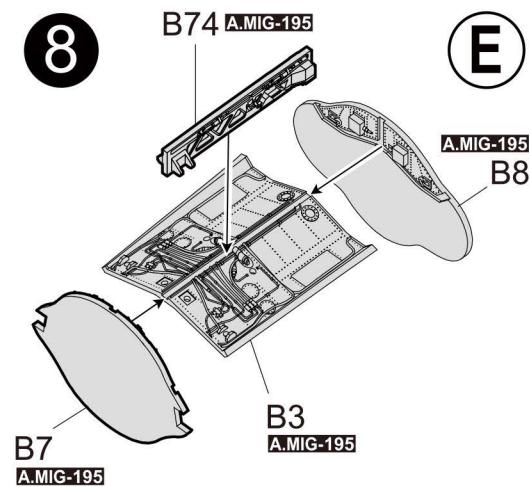
7

D

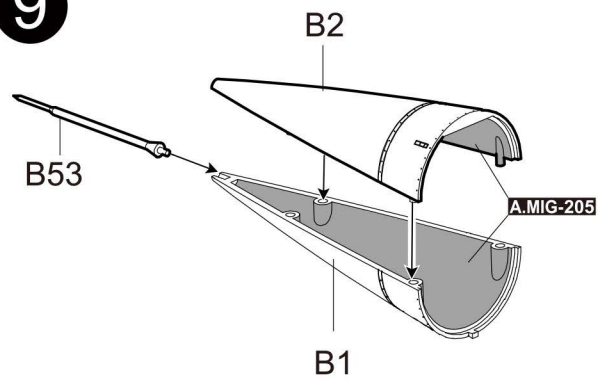


8

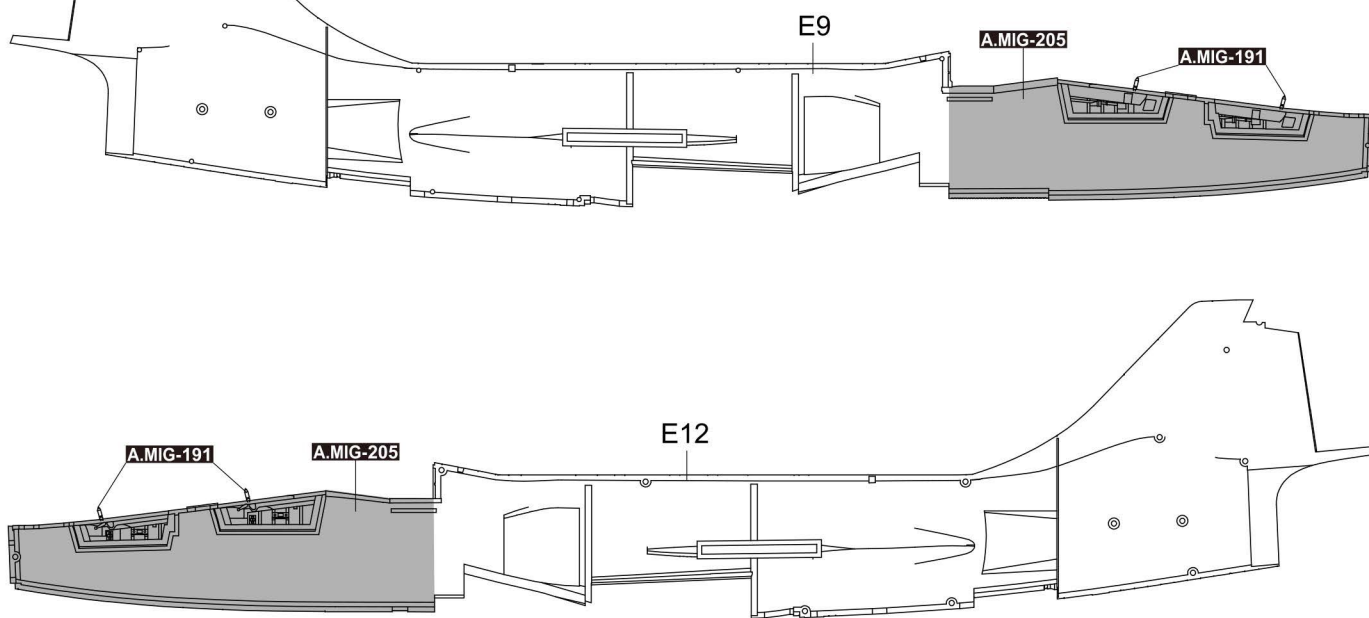
E



9



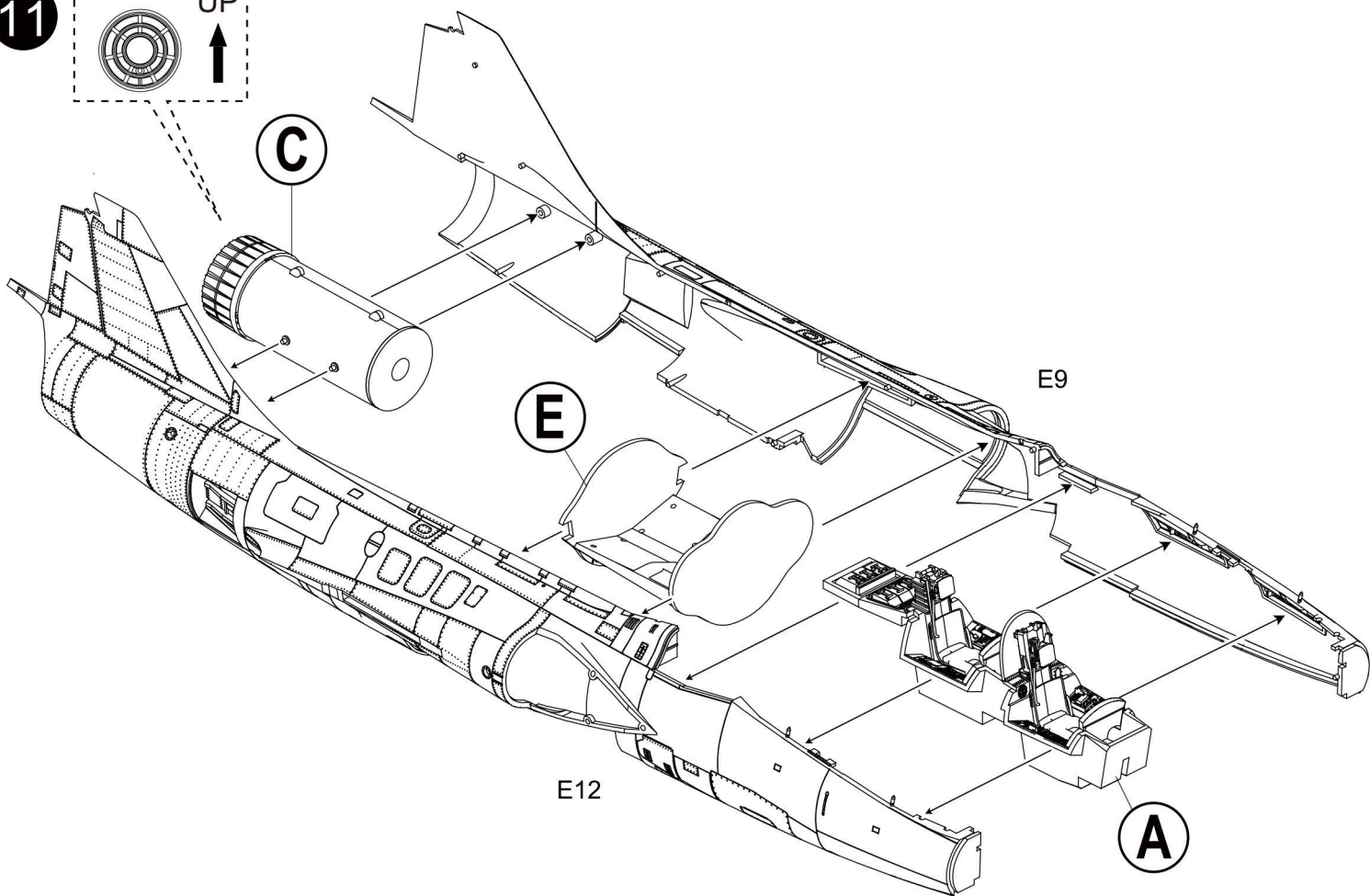
10



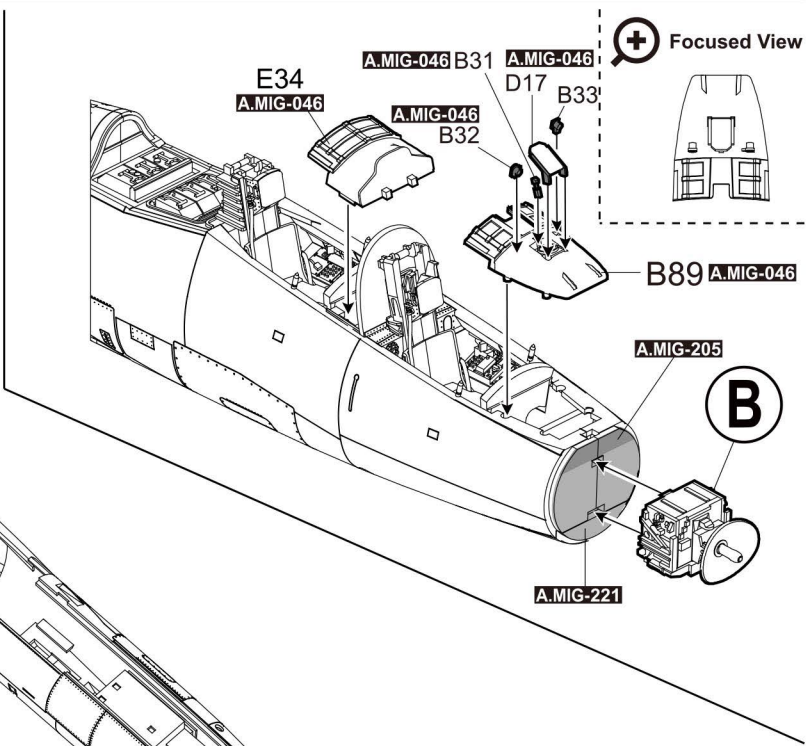
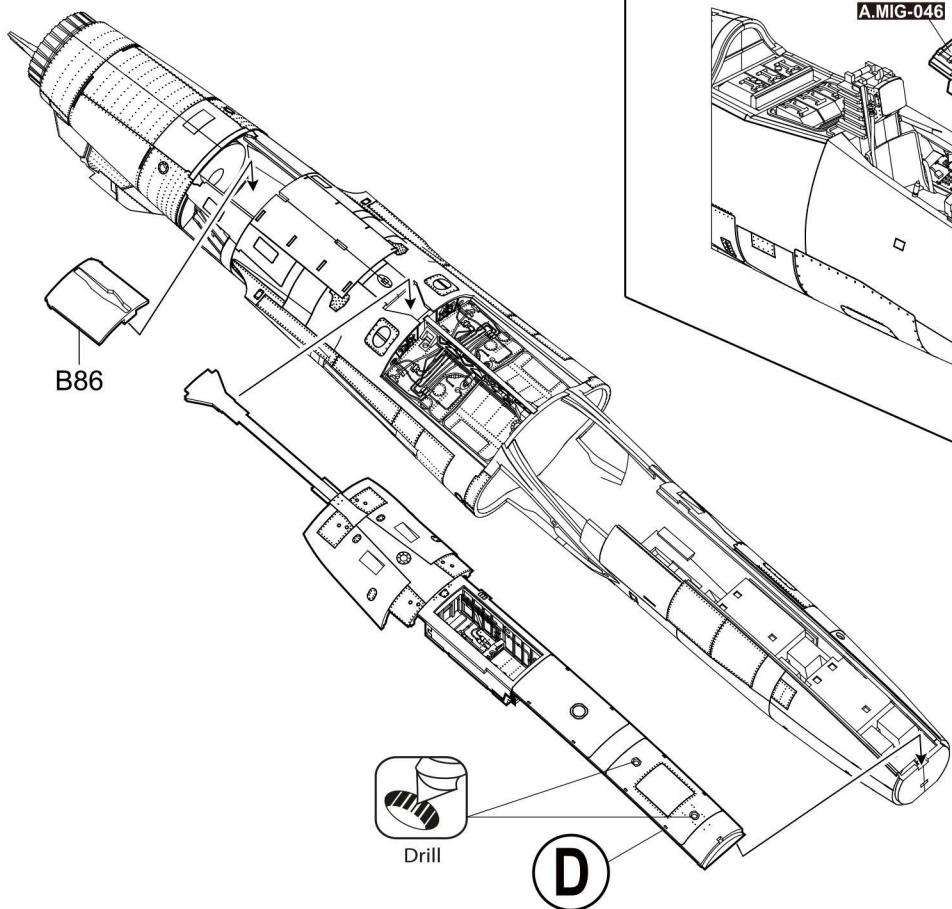
11



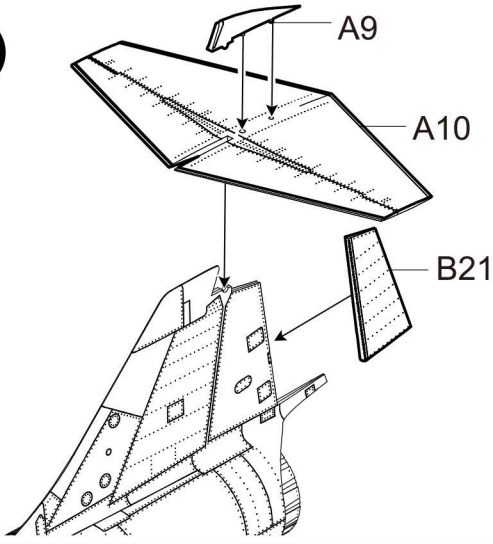
UP



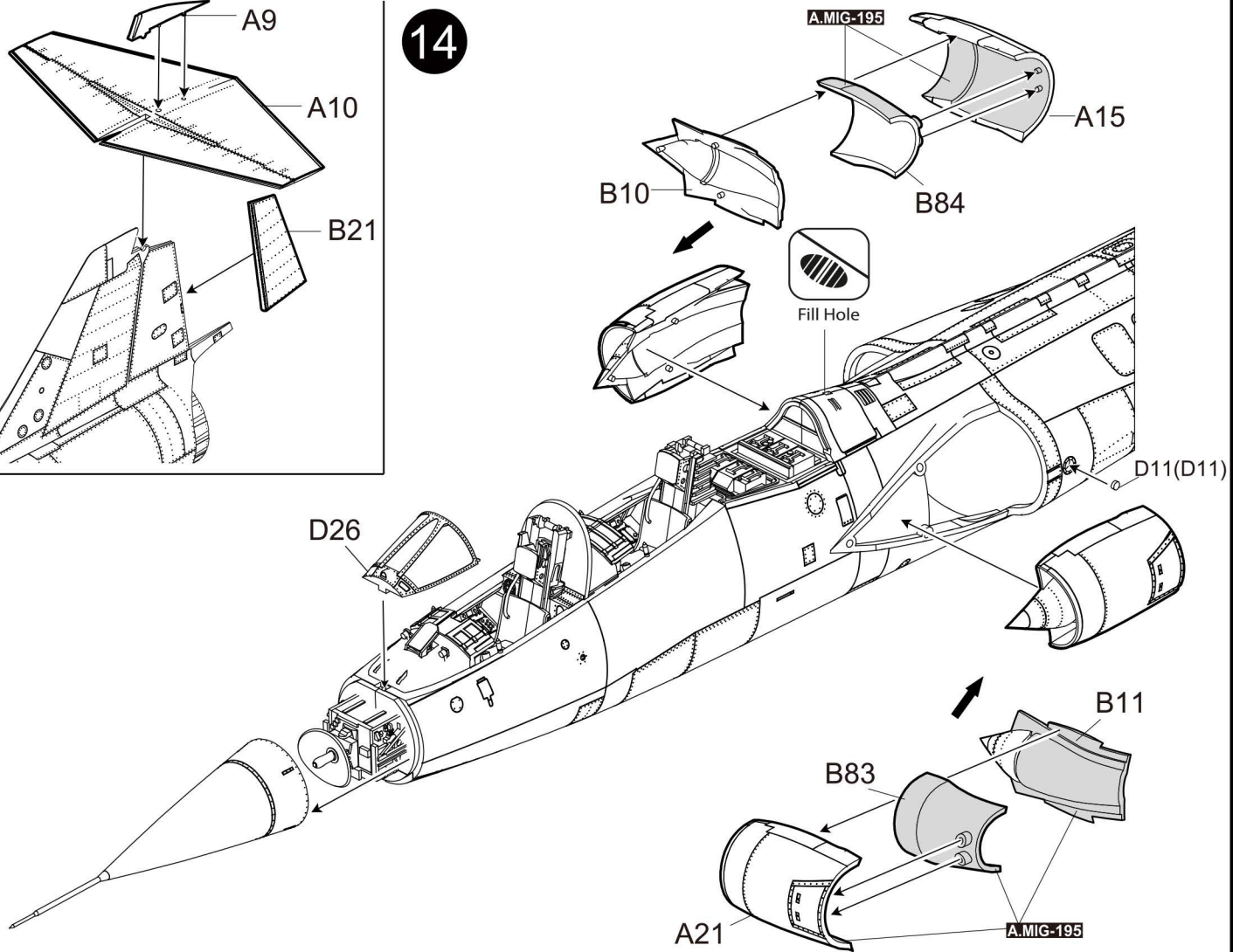
12



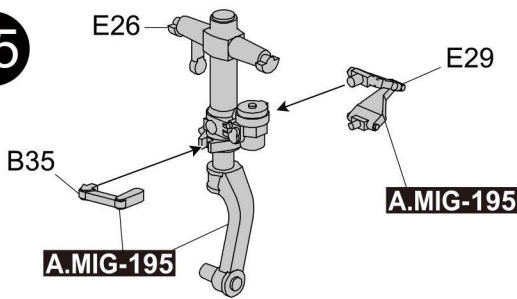
13



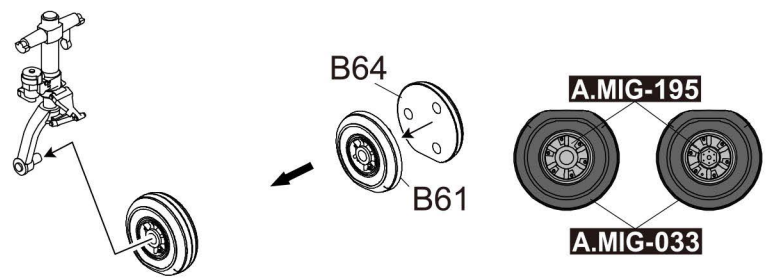
14



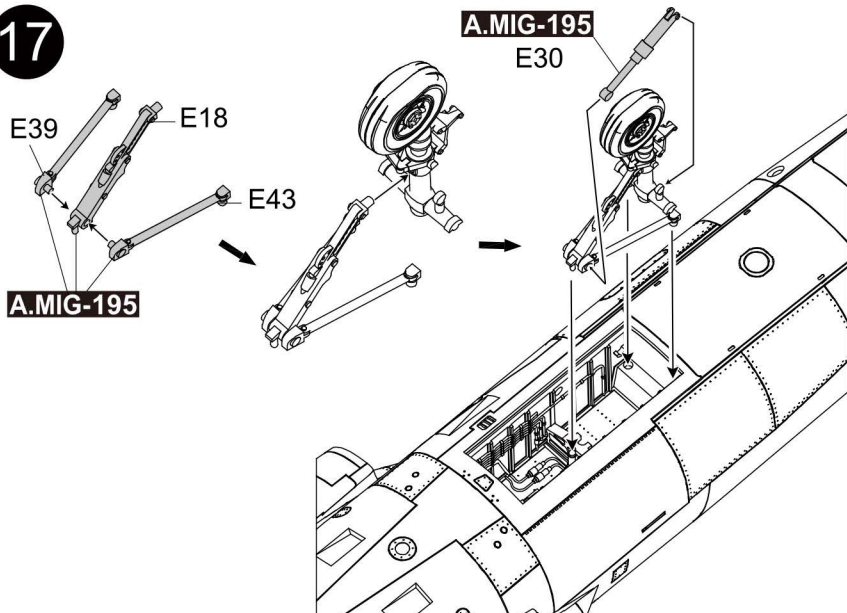
15



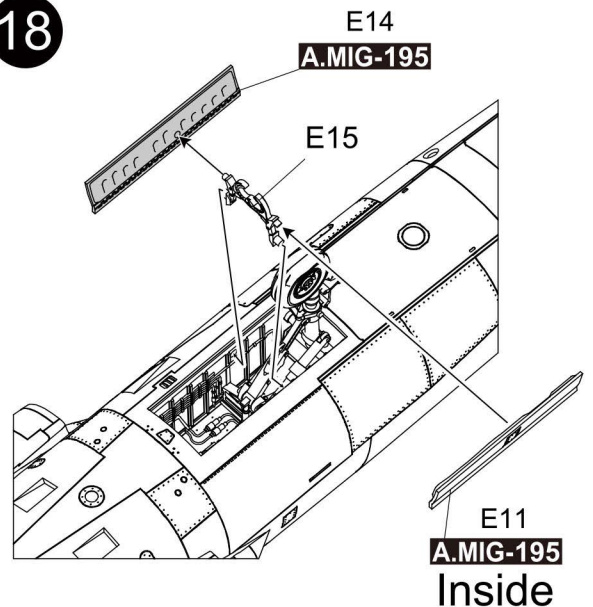
16



17

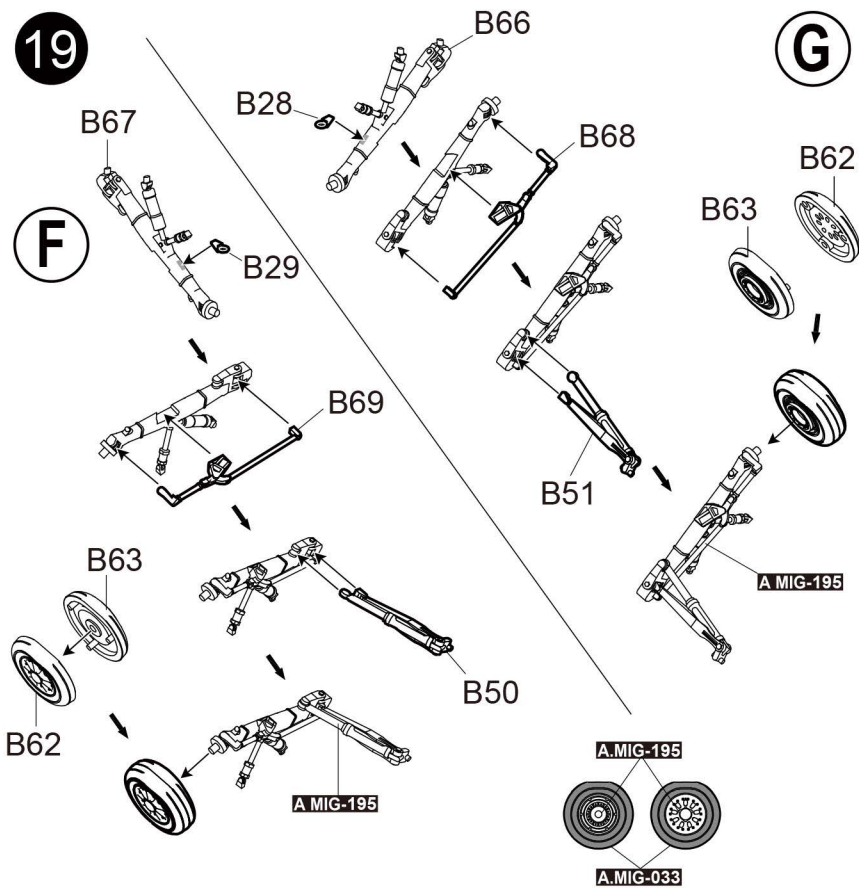


18

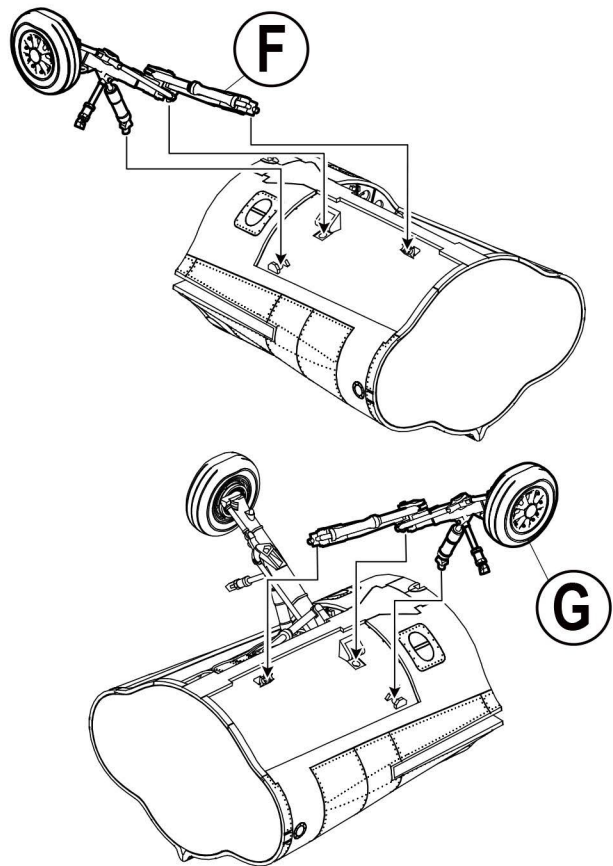


19

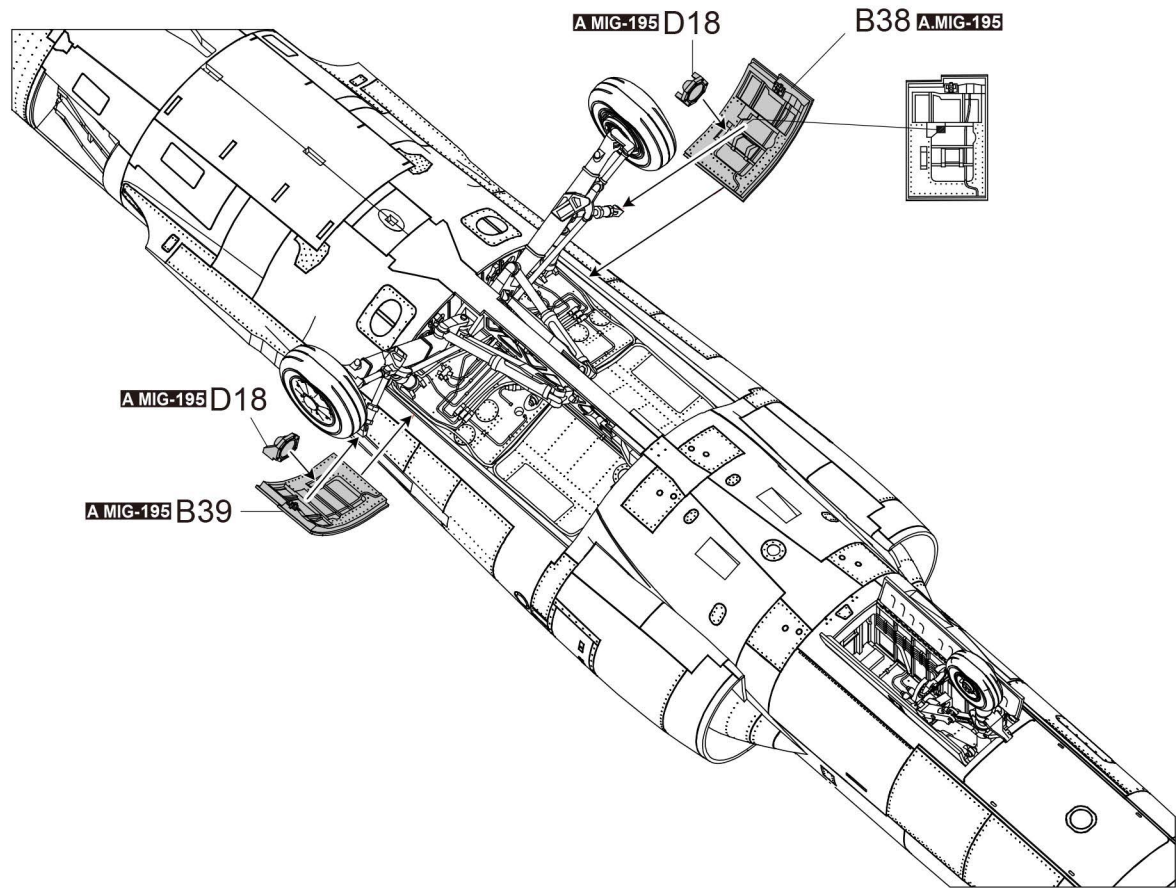
F



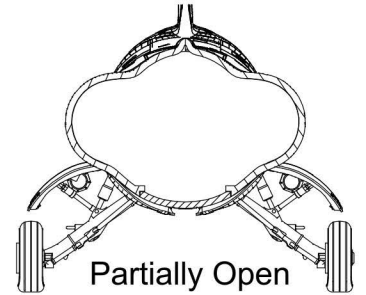
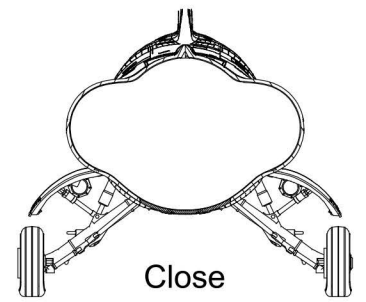
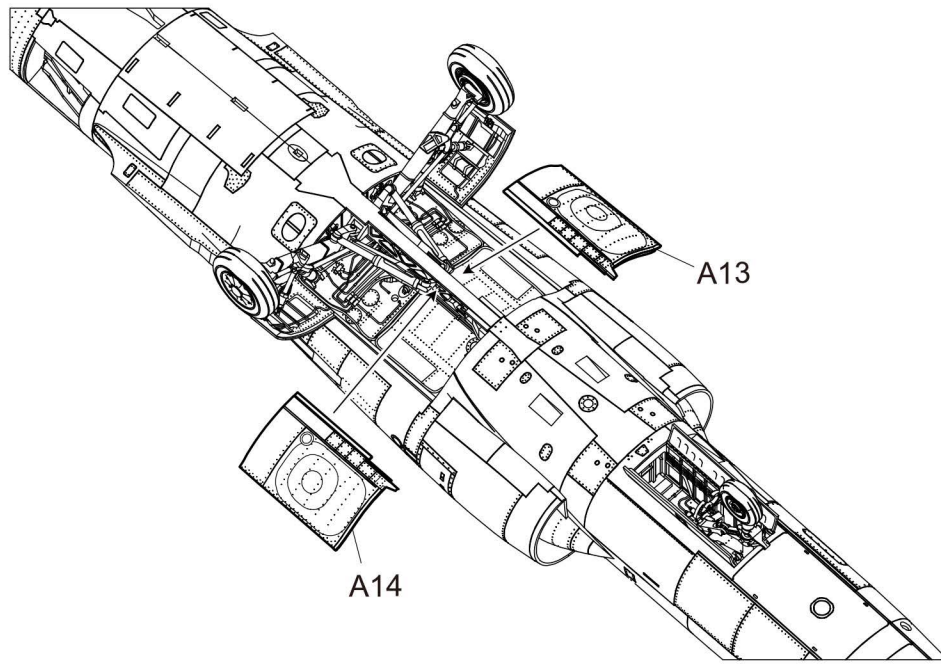
G



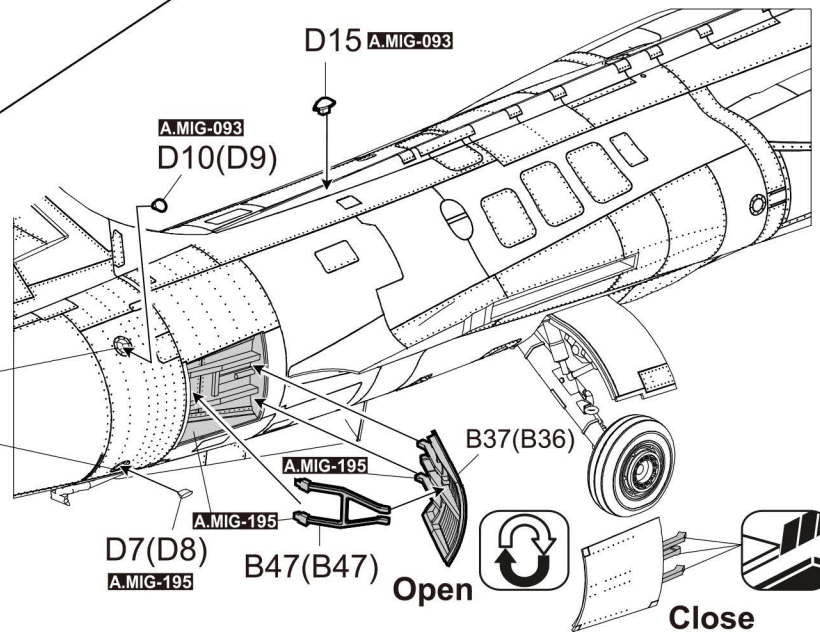
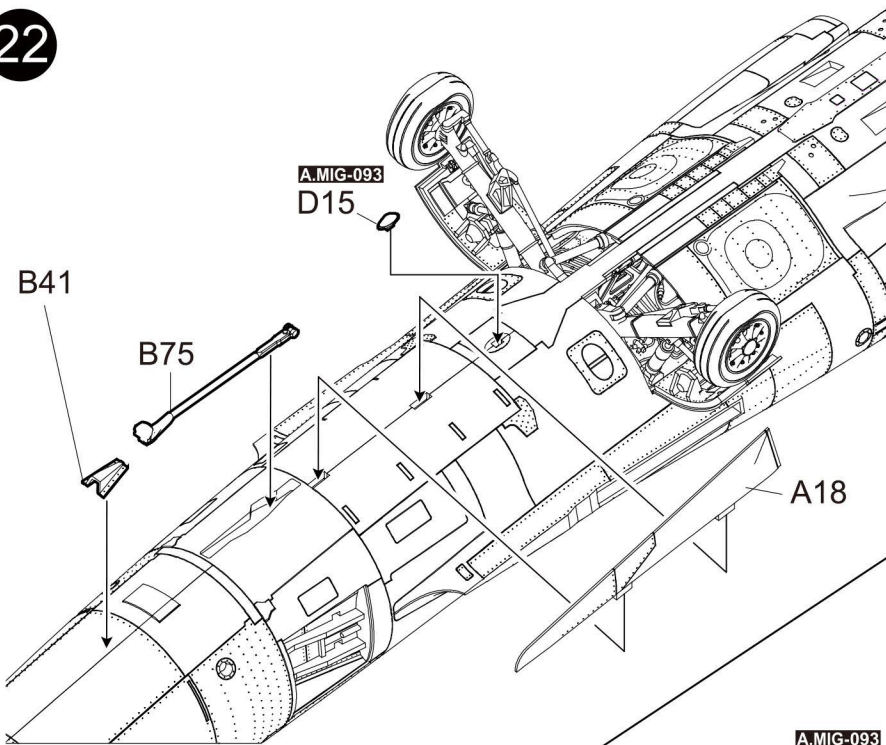
20



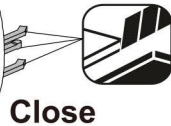
21



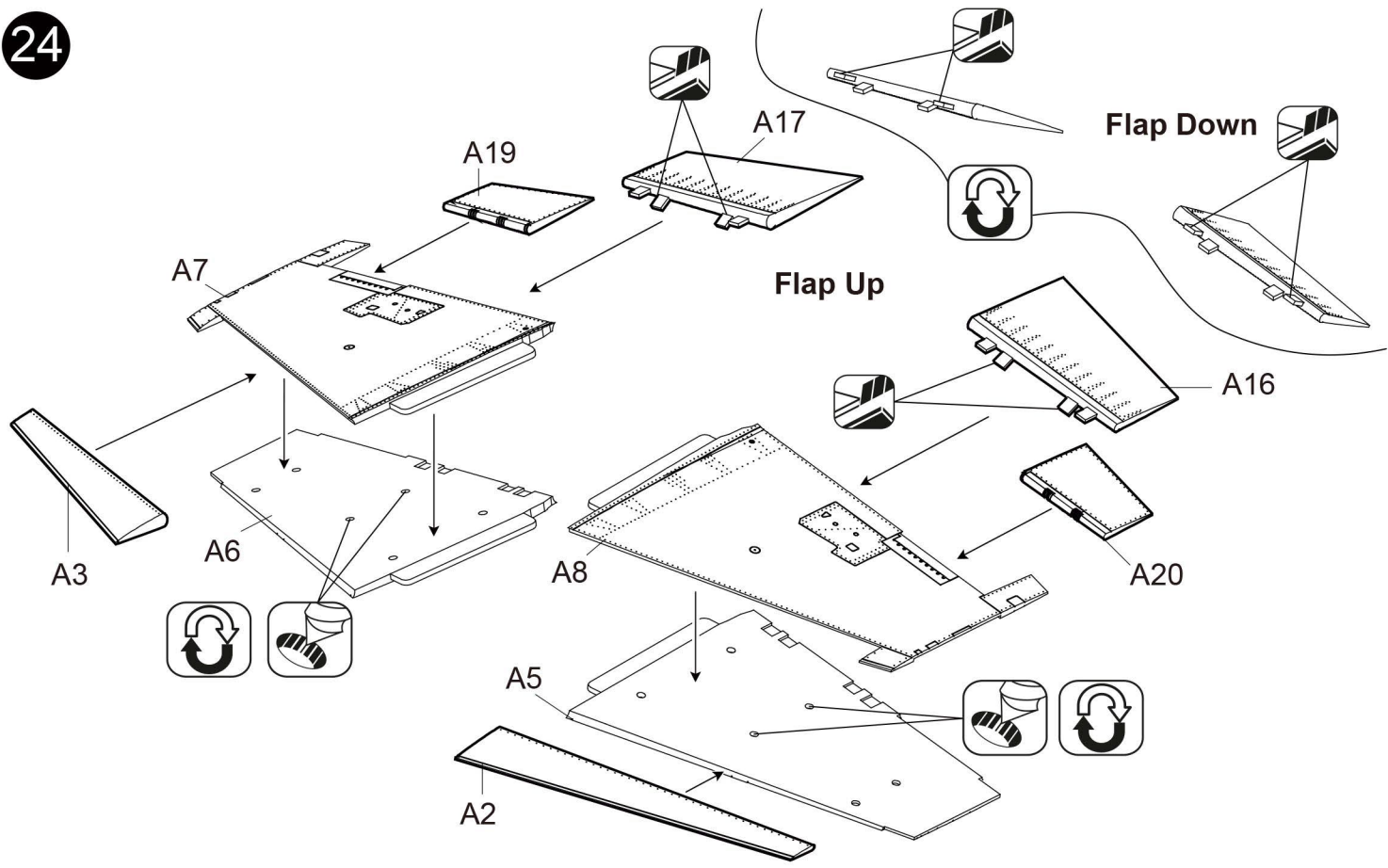
22



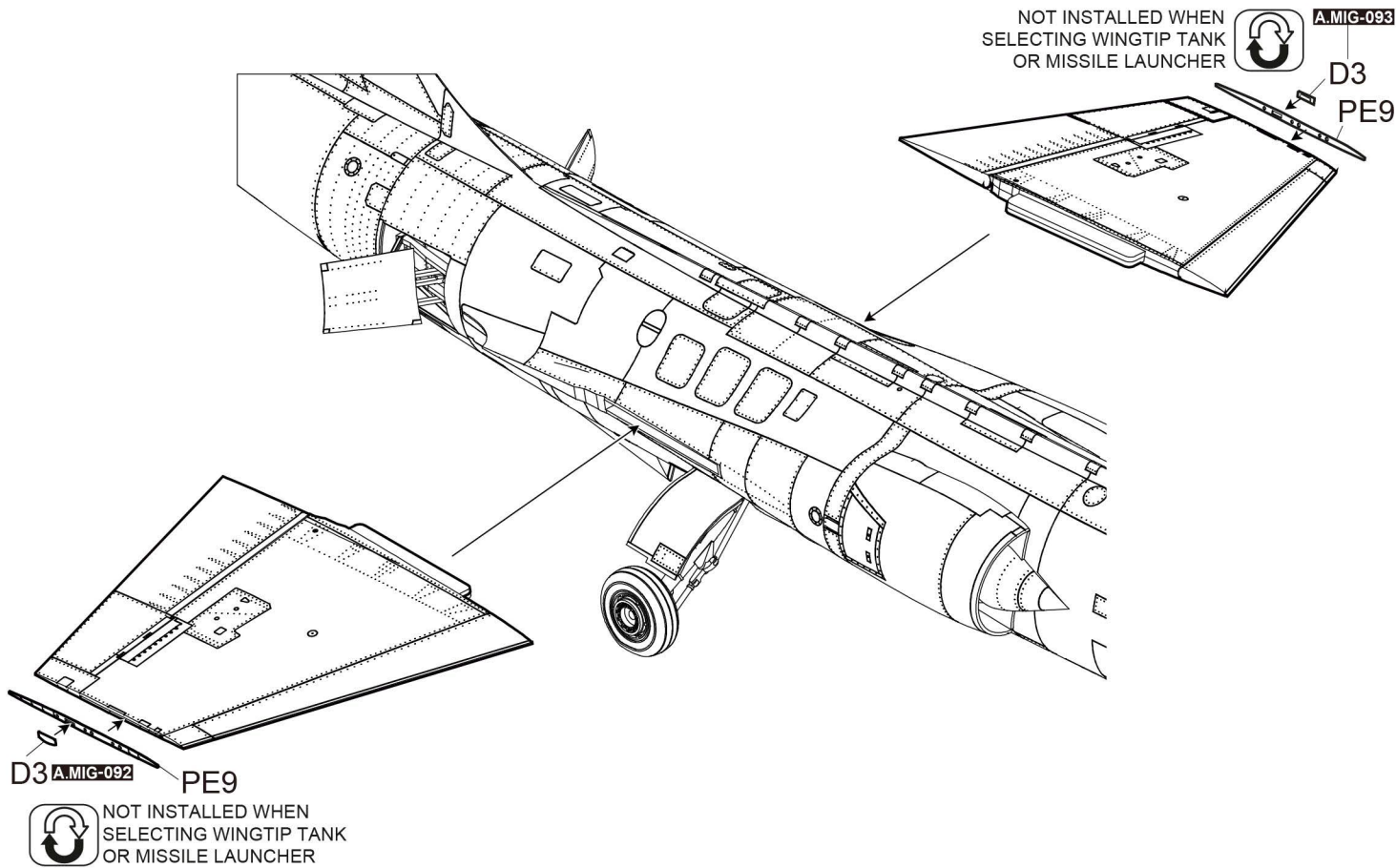
23



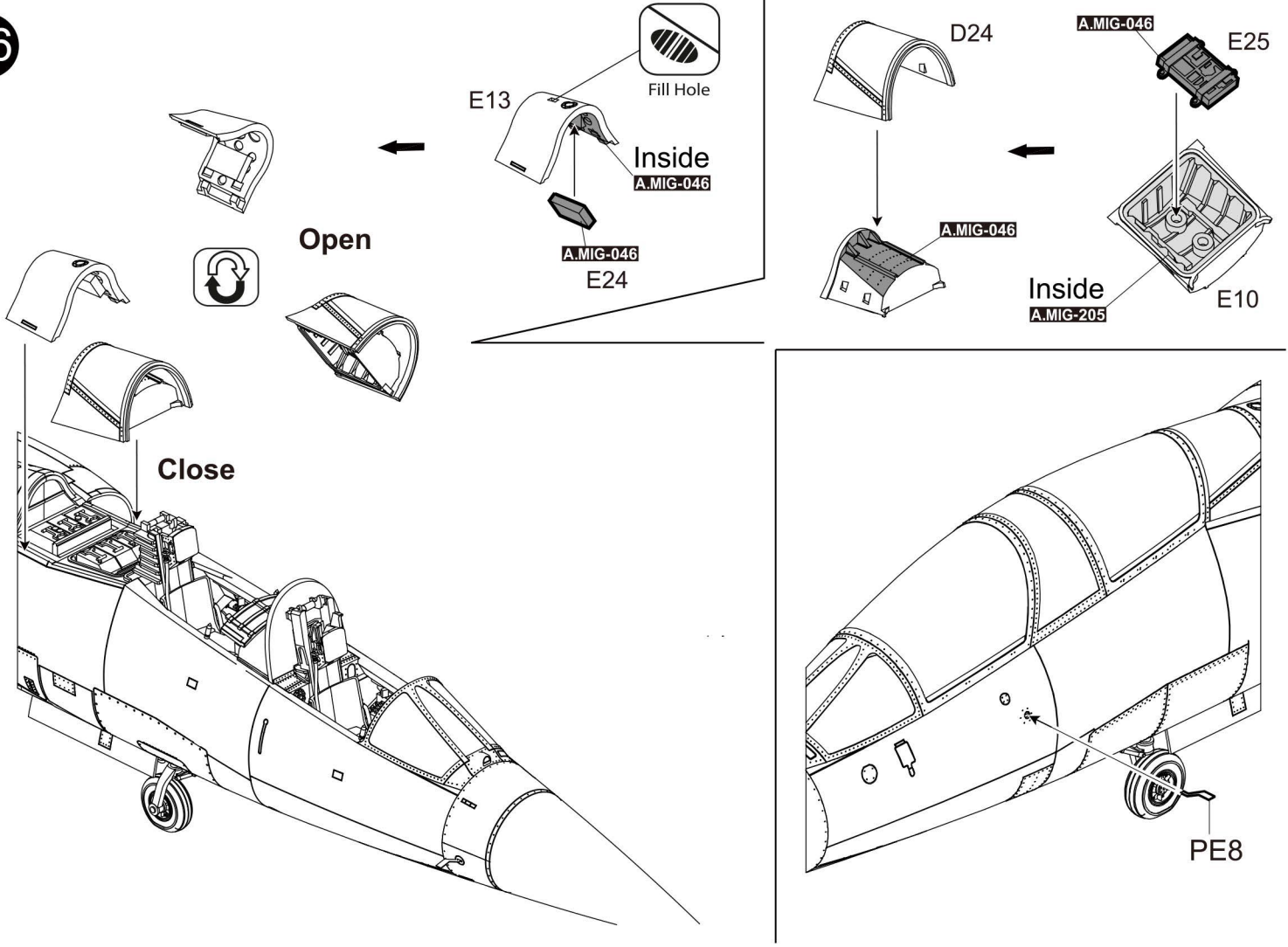
24



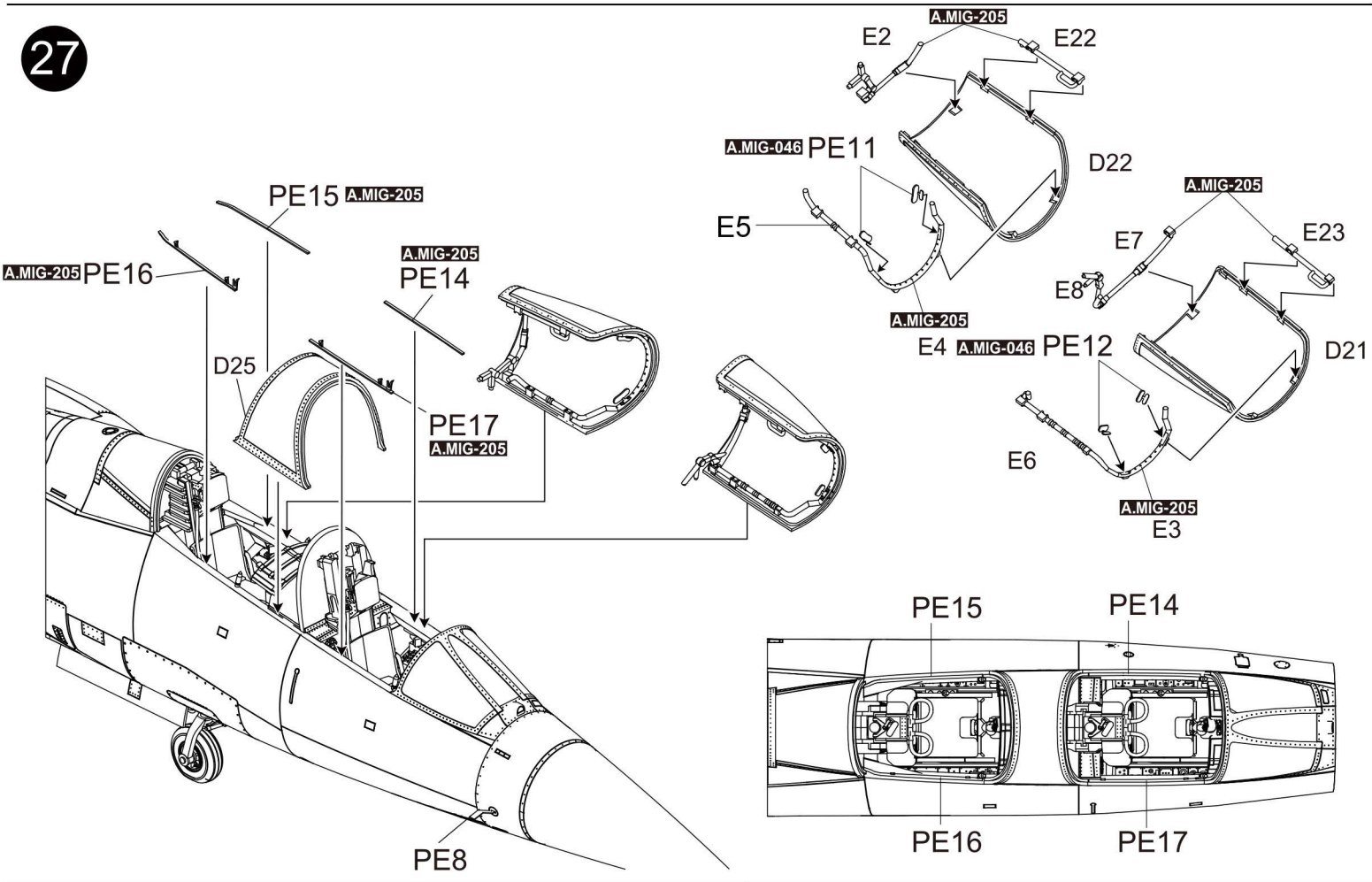
25



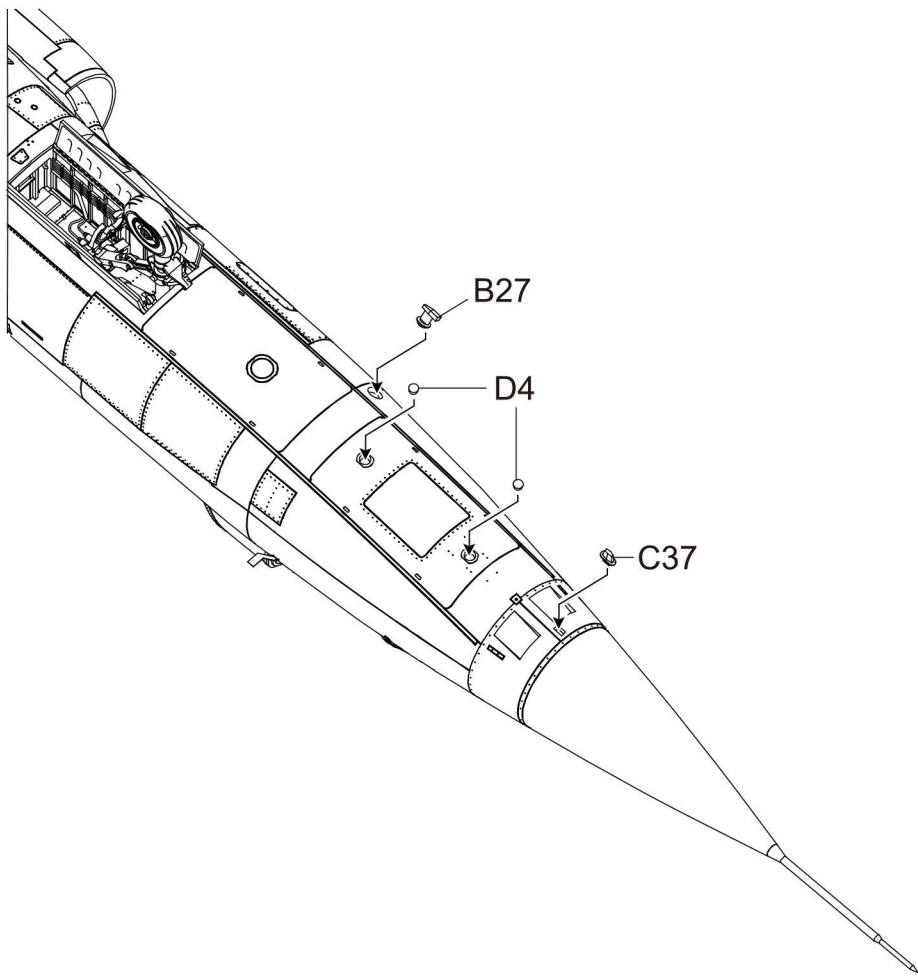
26



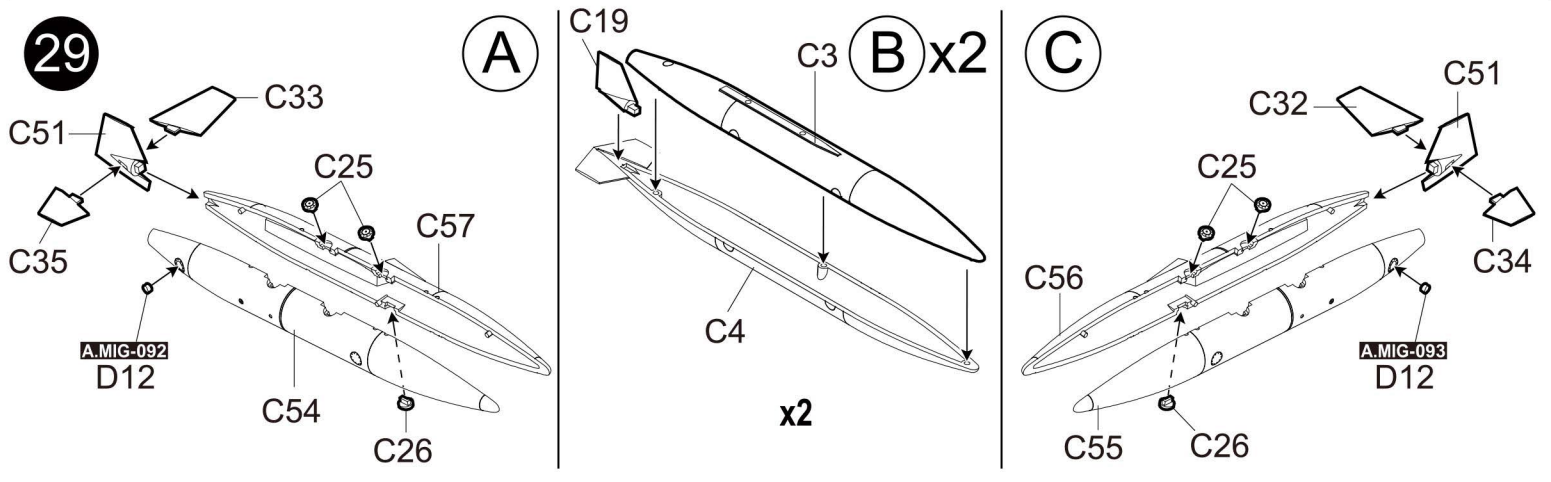
27

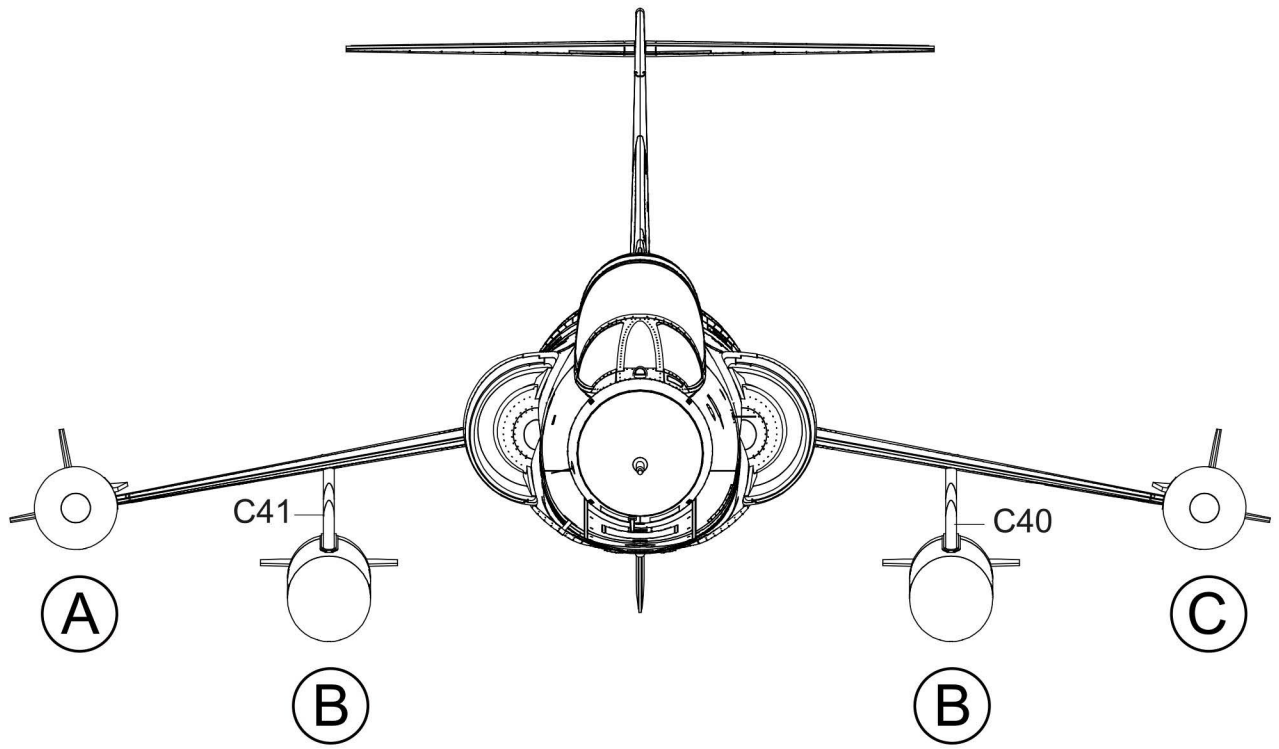


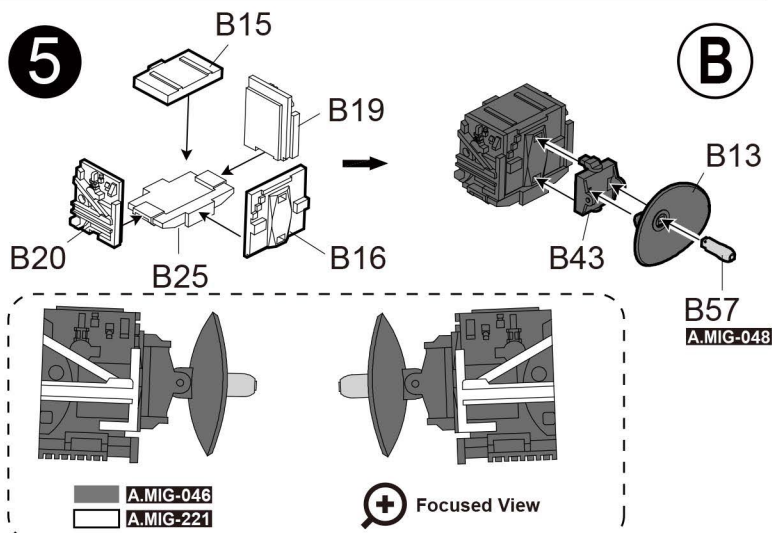
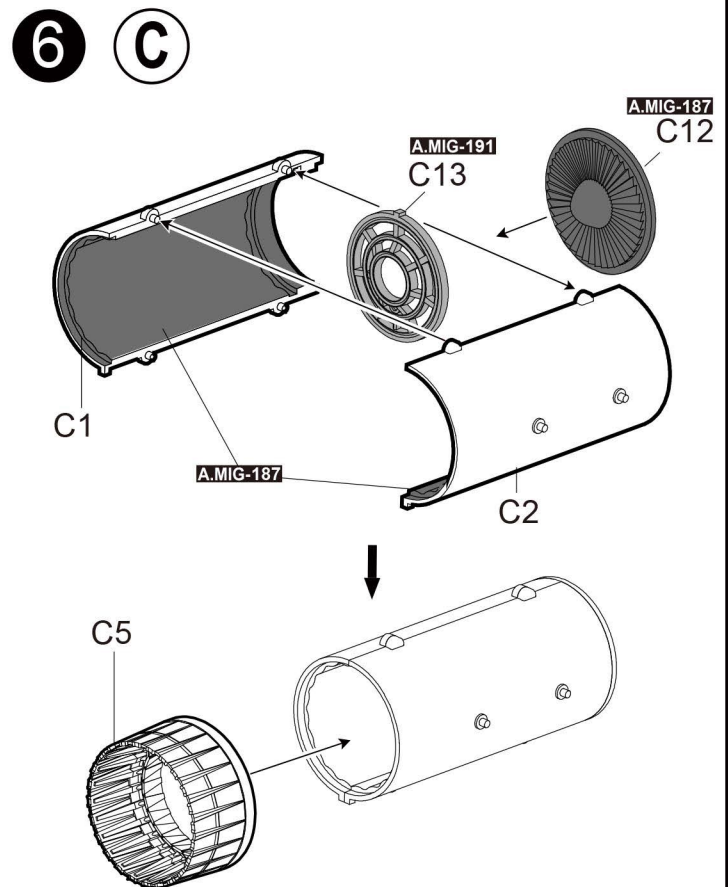
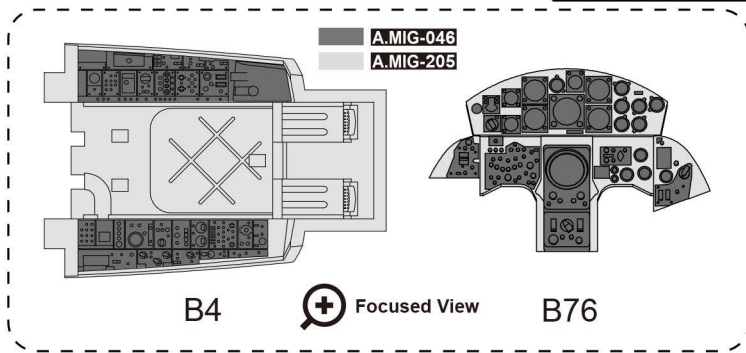
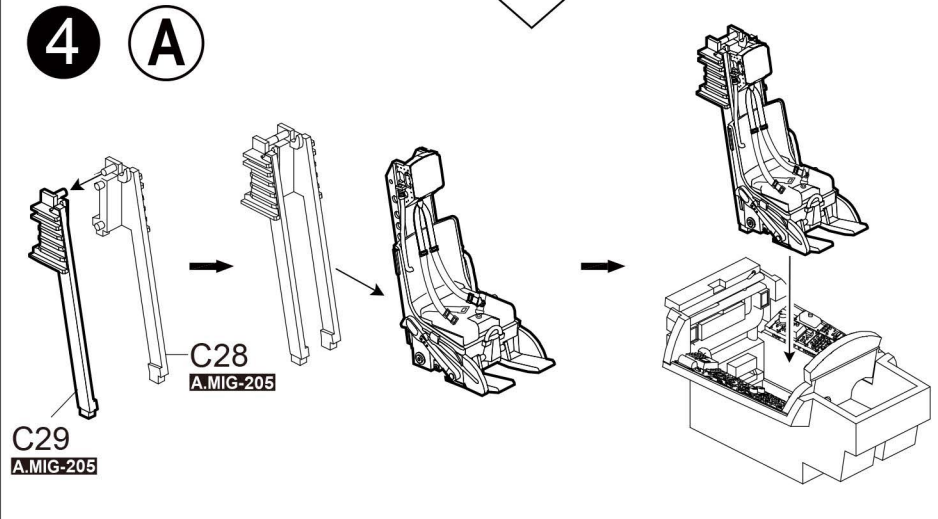
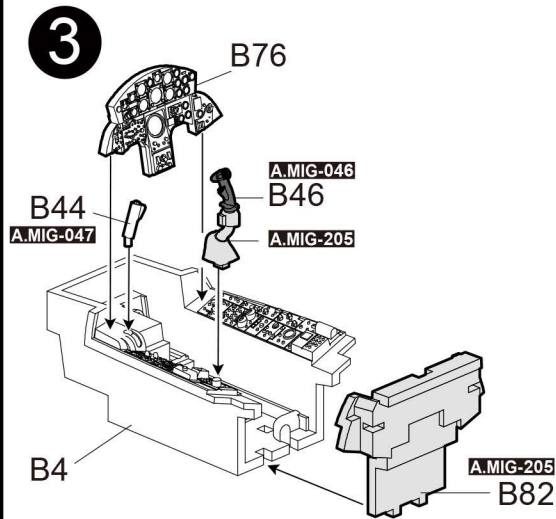
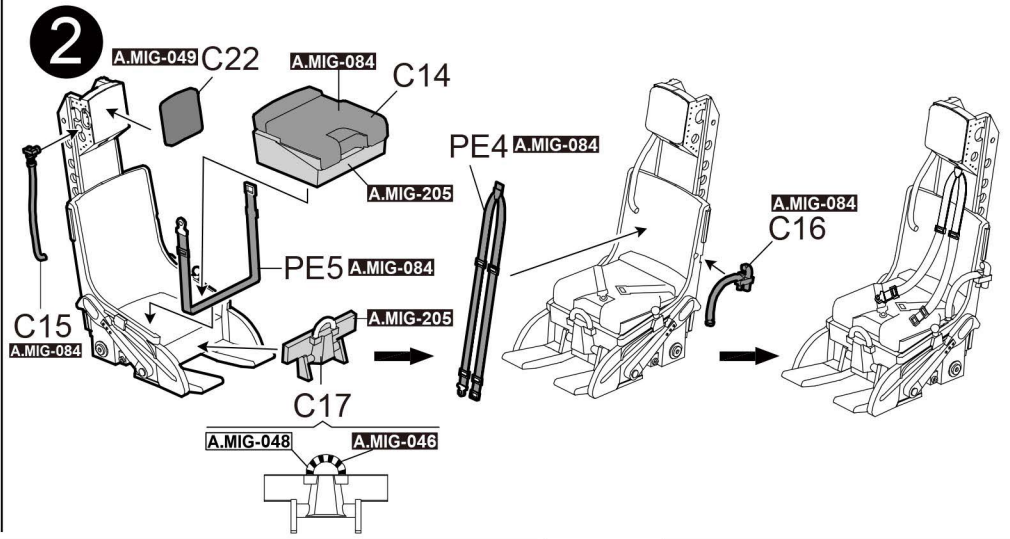
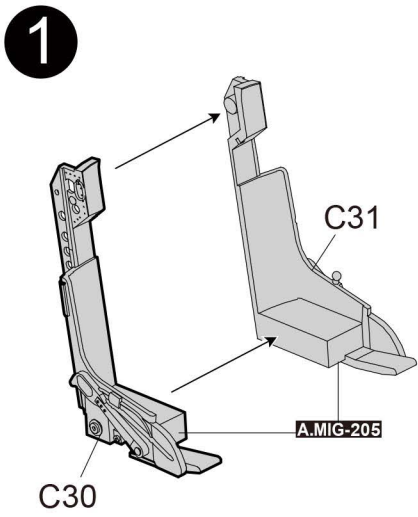
28

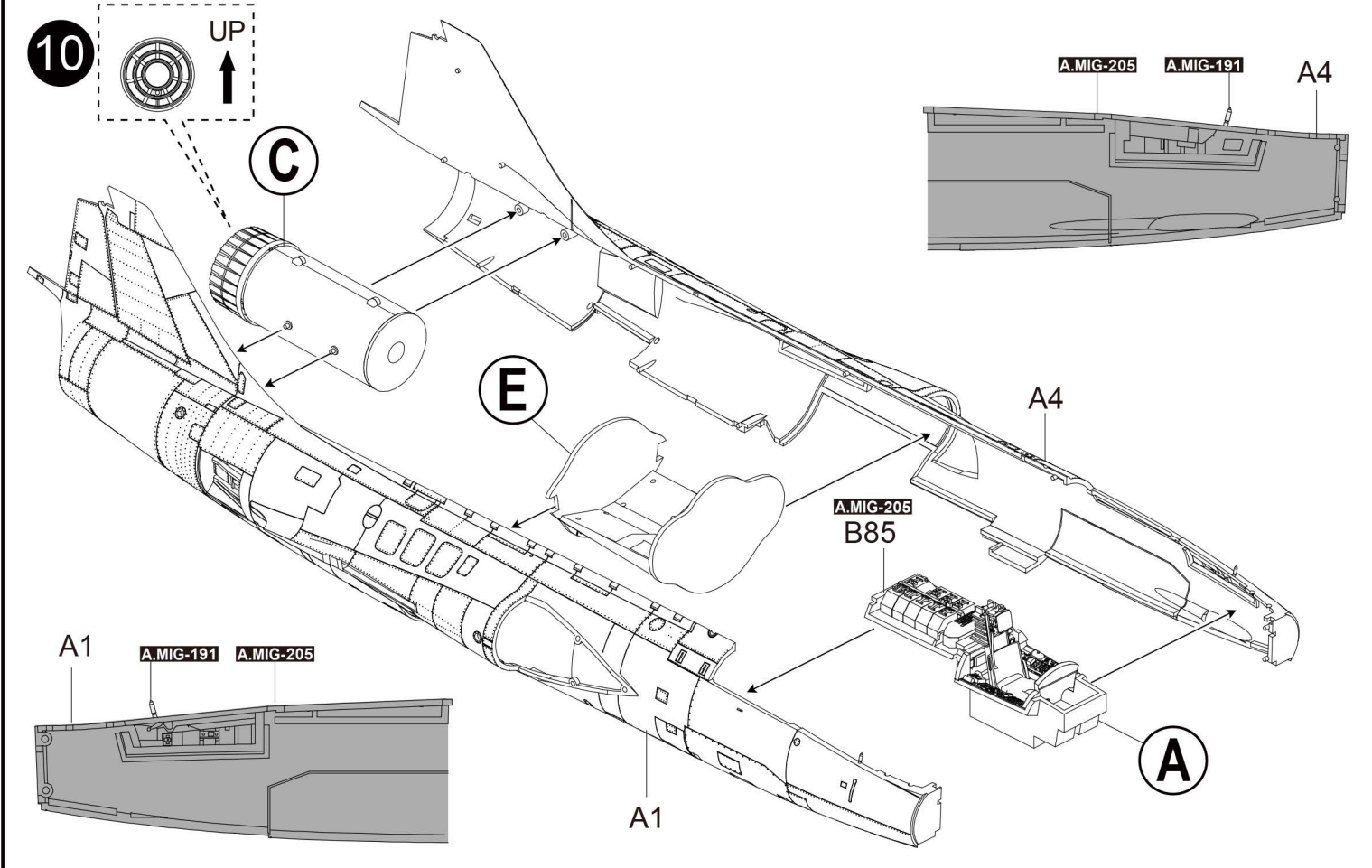
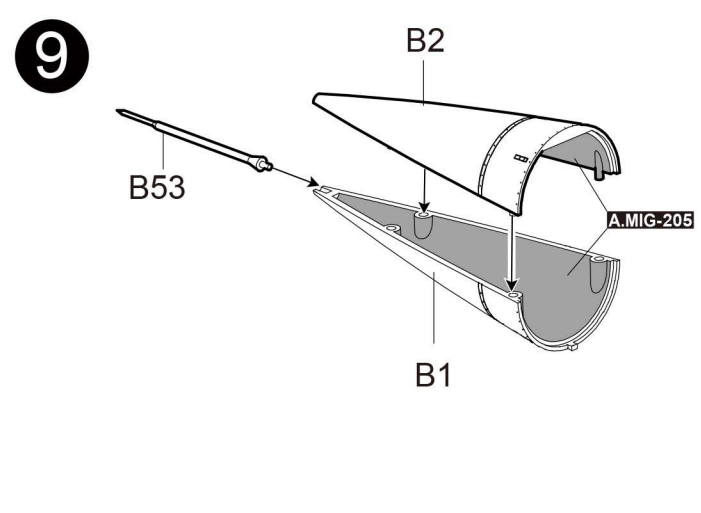
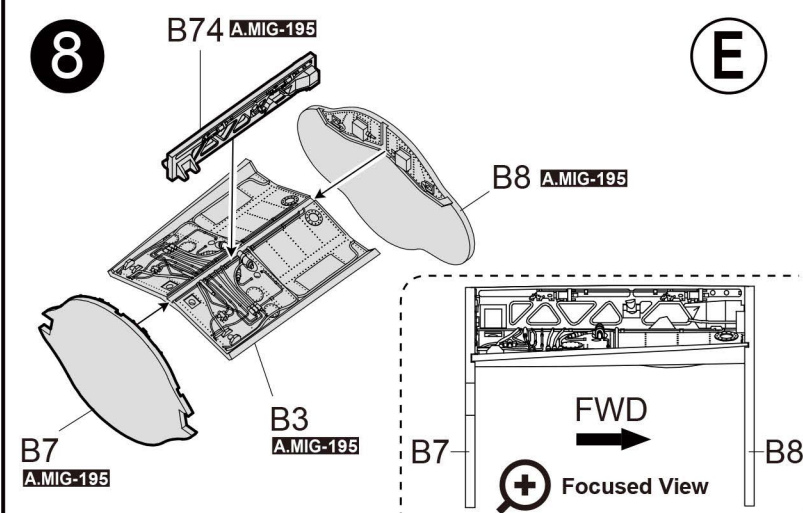
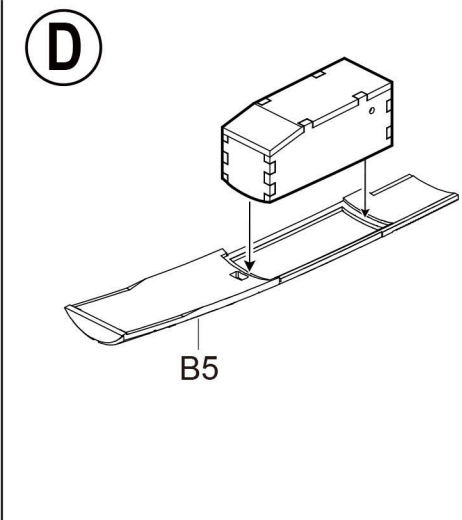
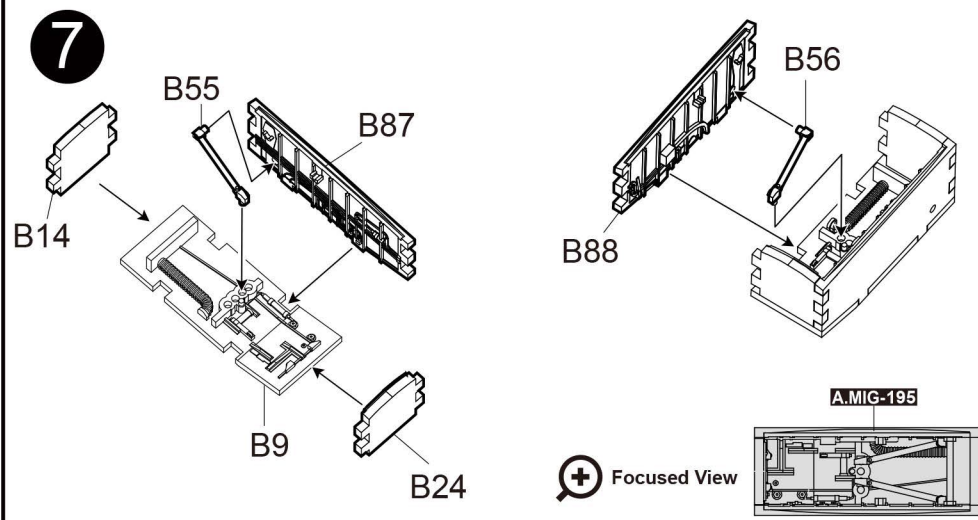


29

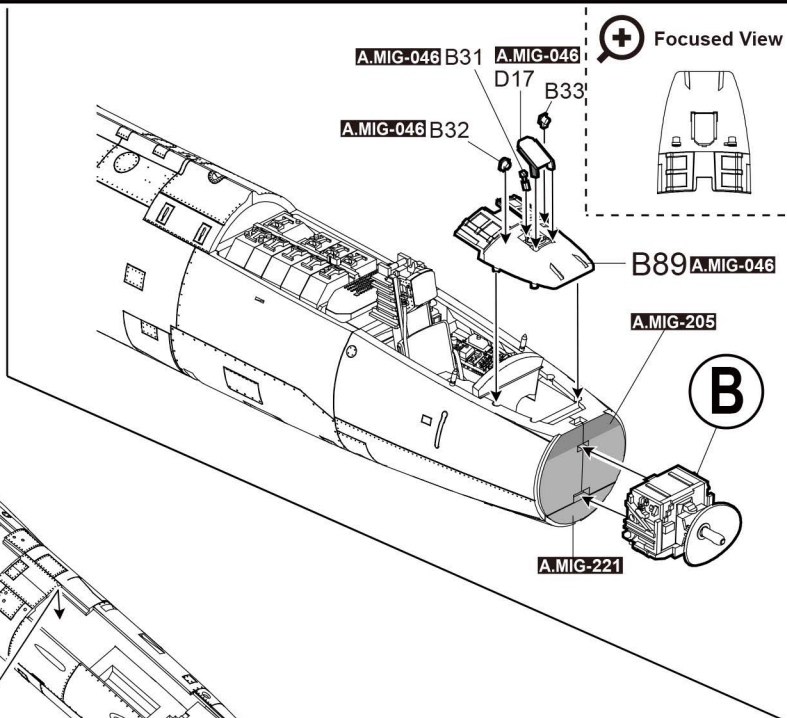
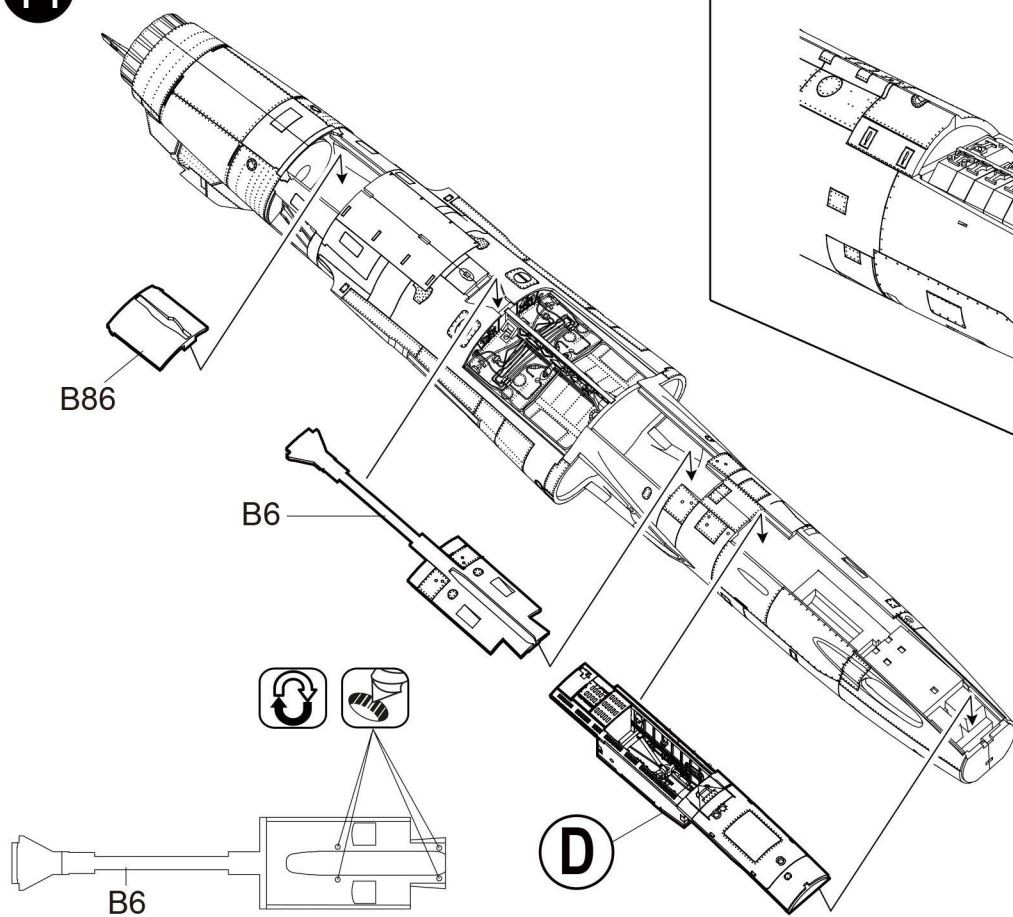




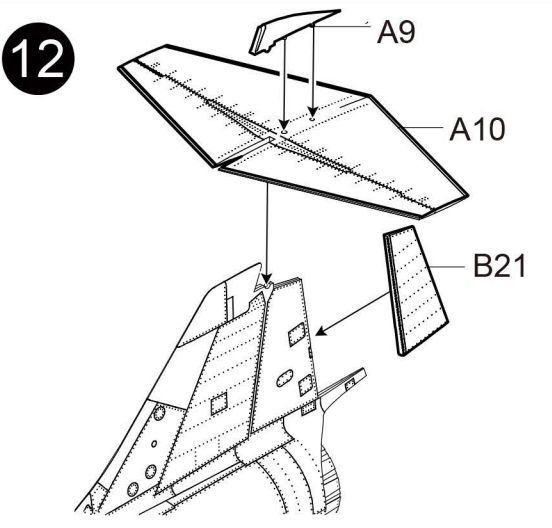




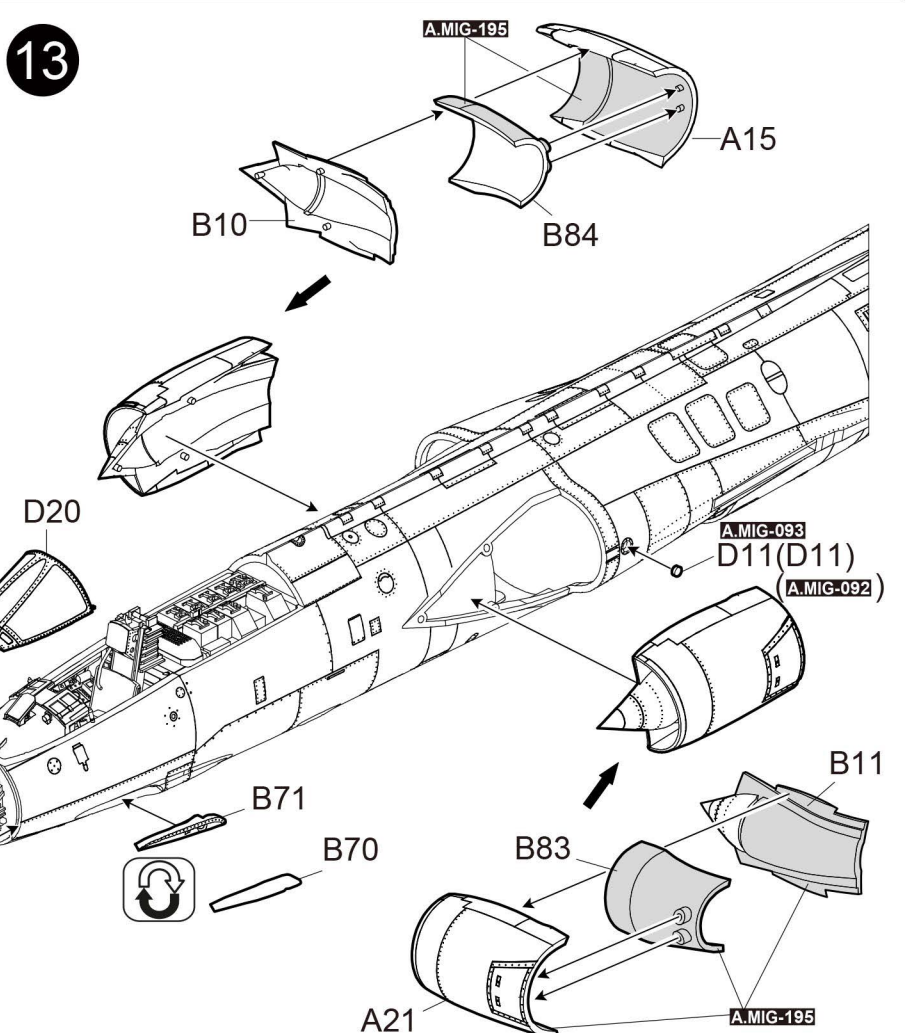
11

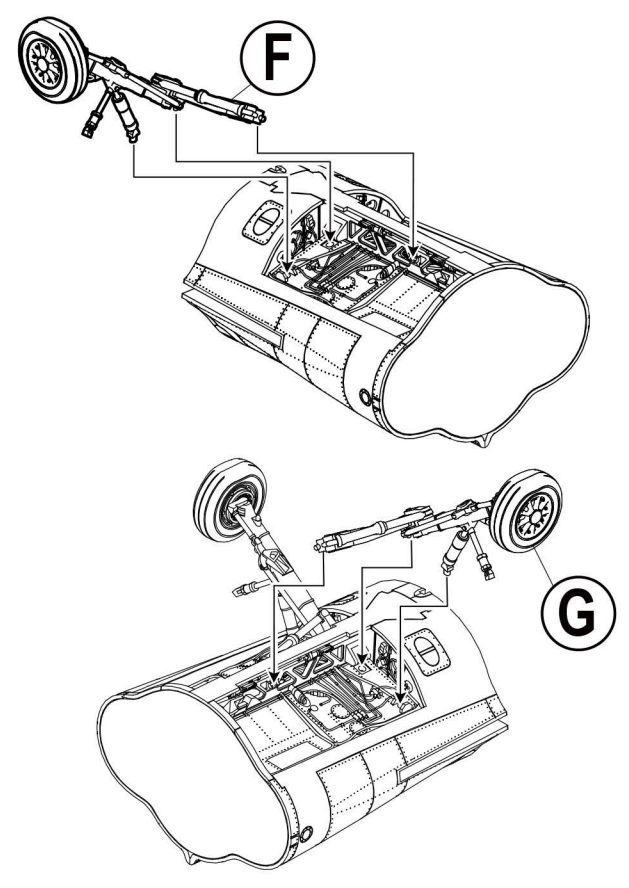
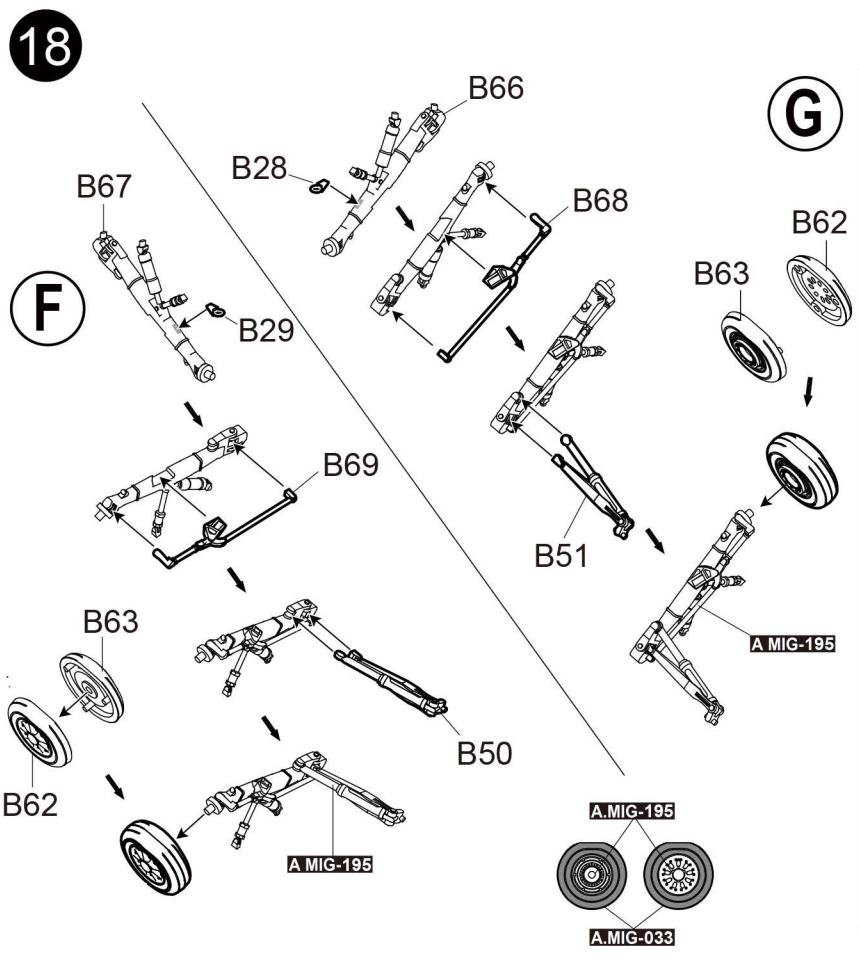
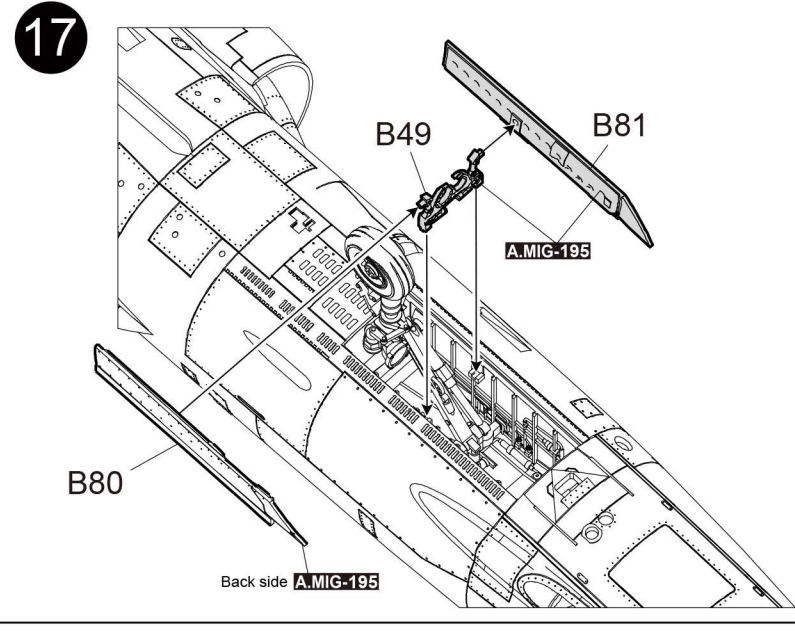
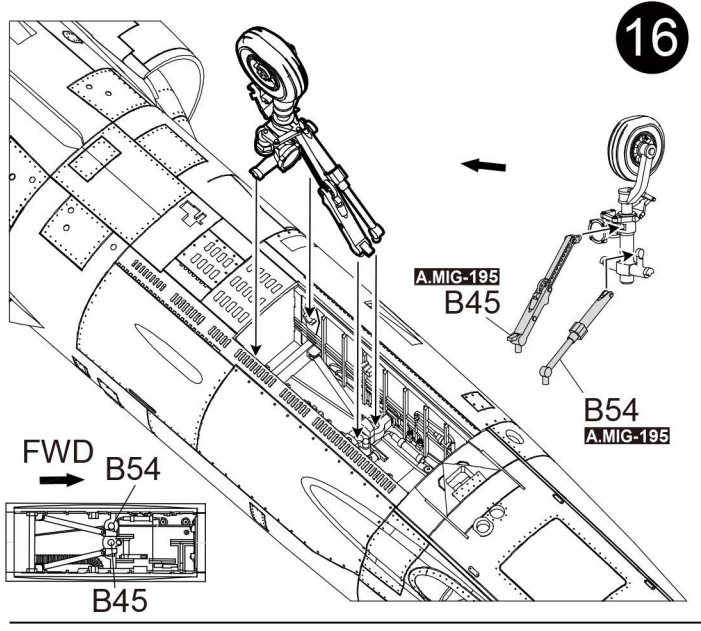
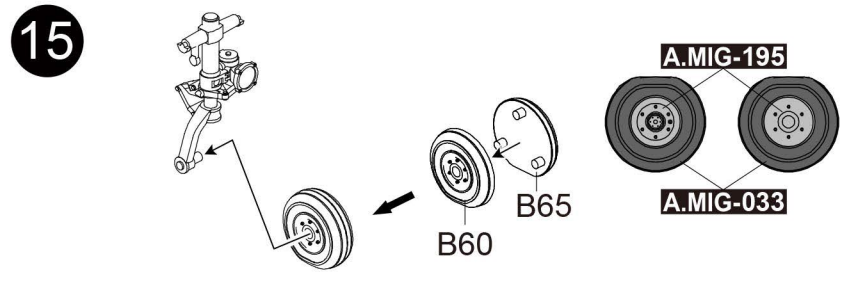
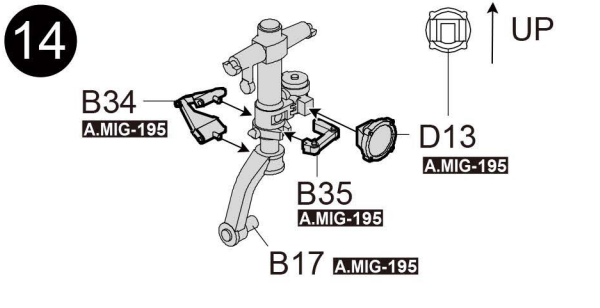


12

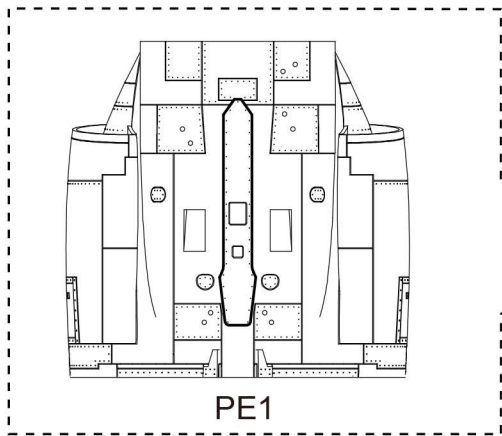
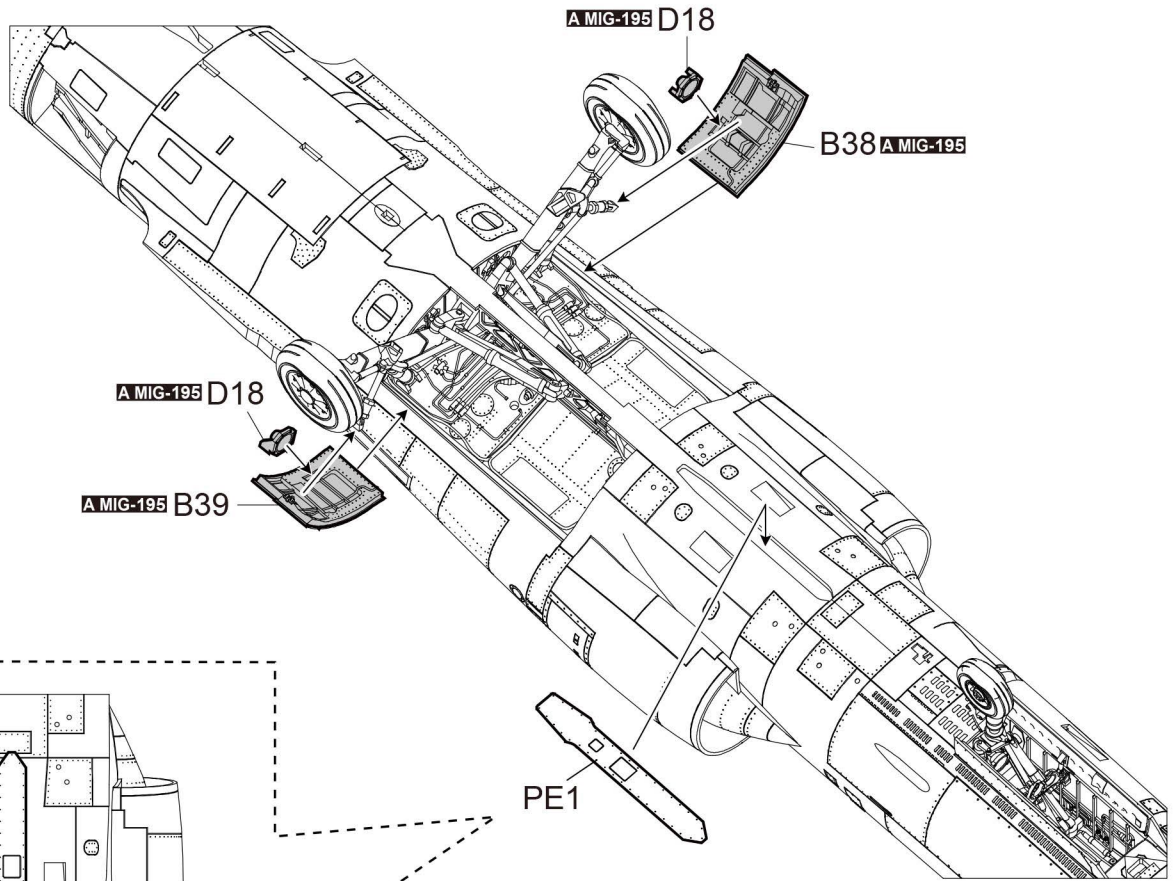


13

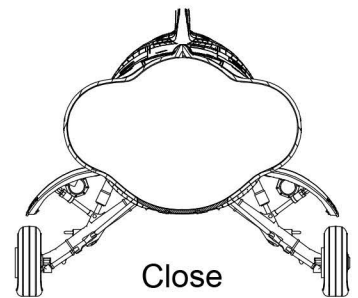
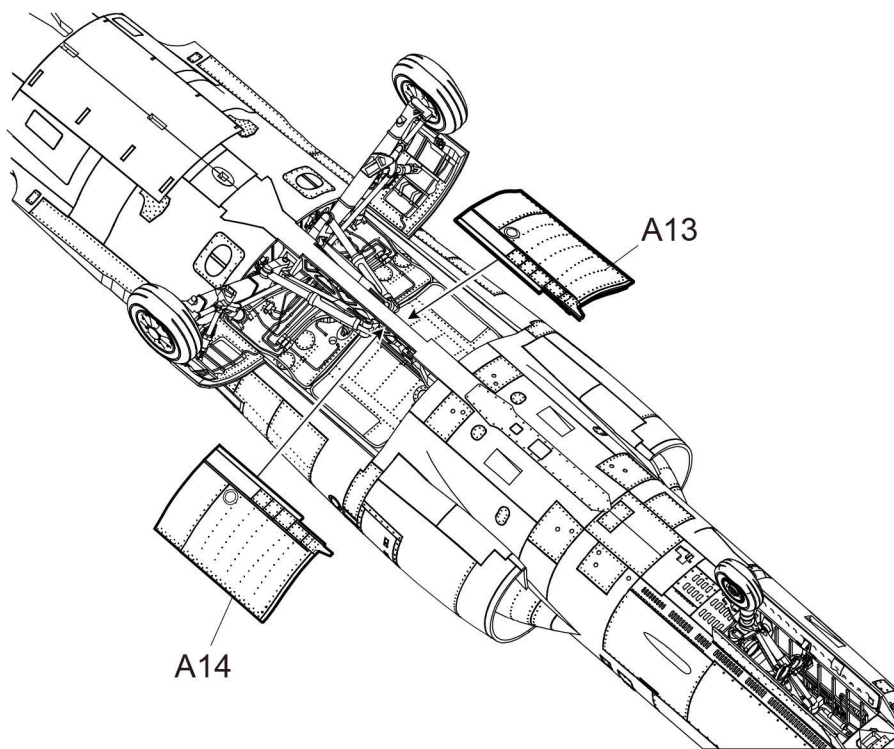




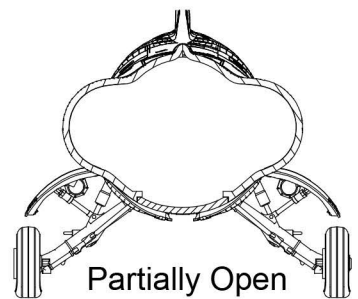
19



20

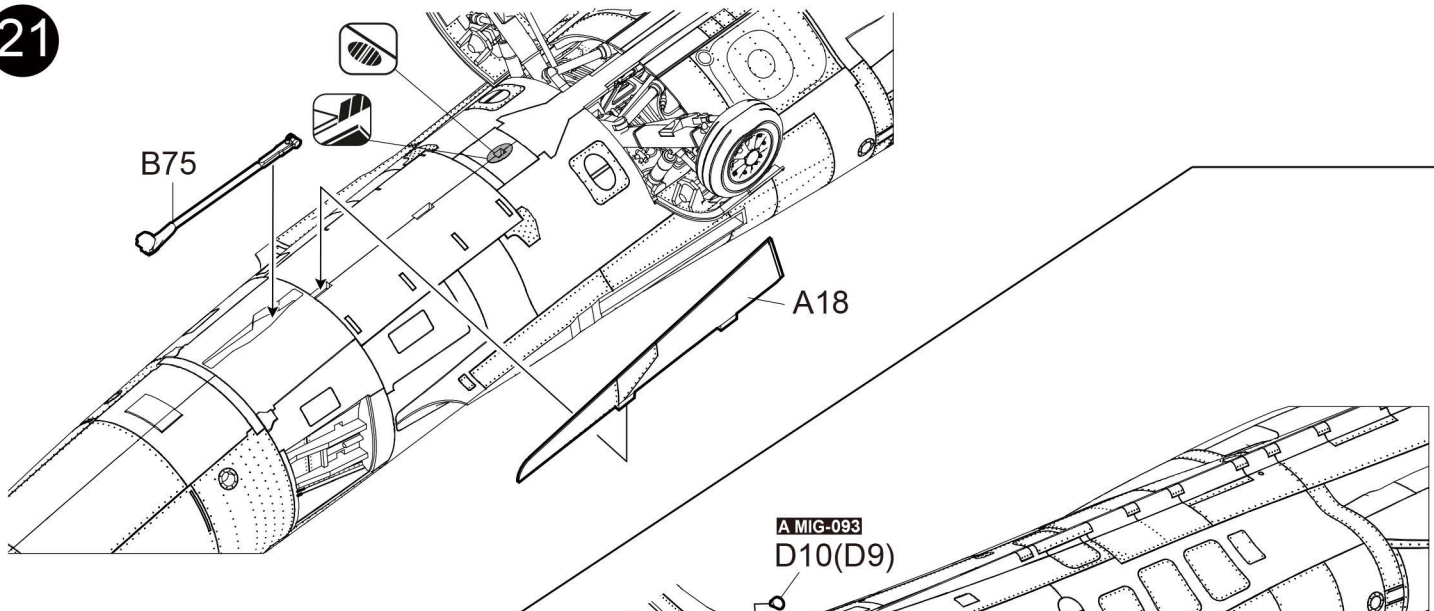


Close

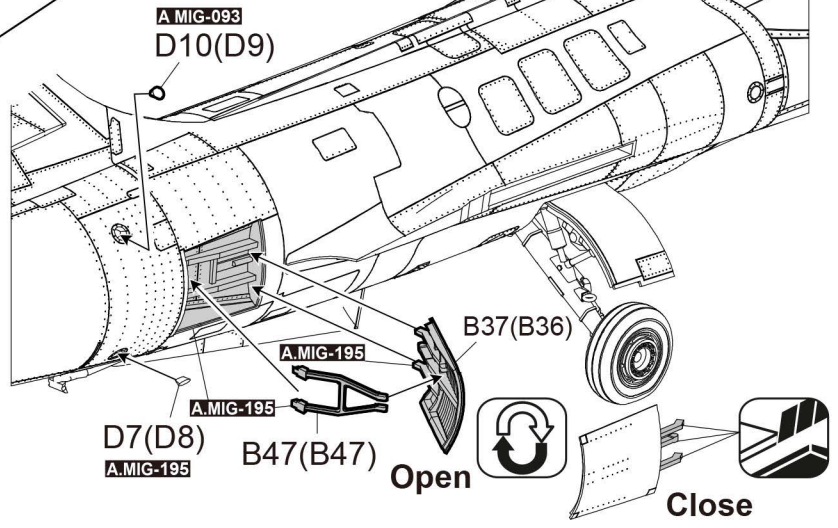


Partially Open

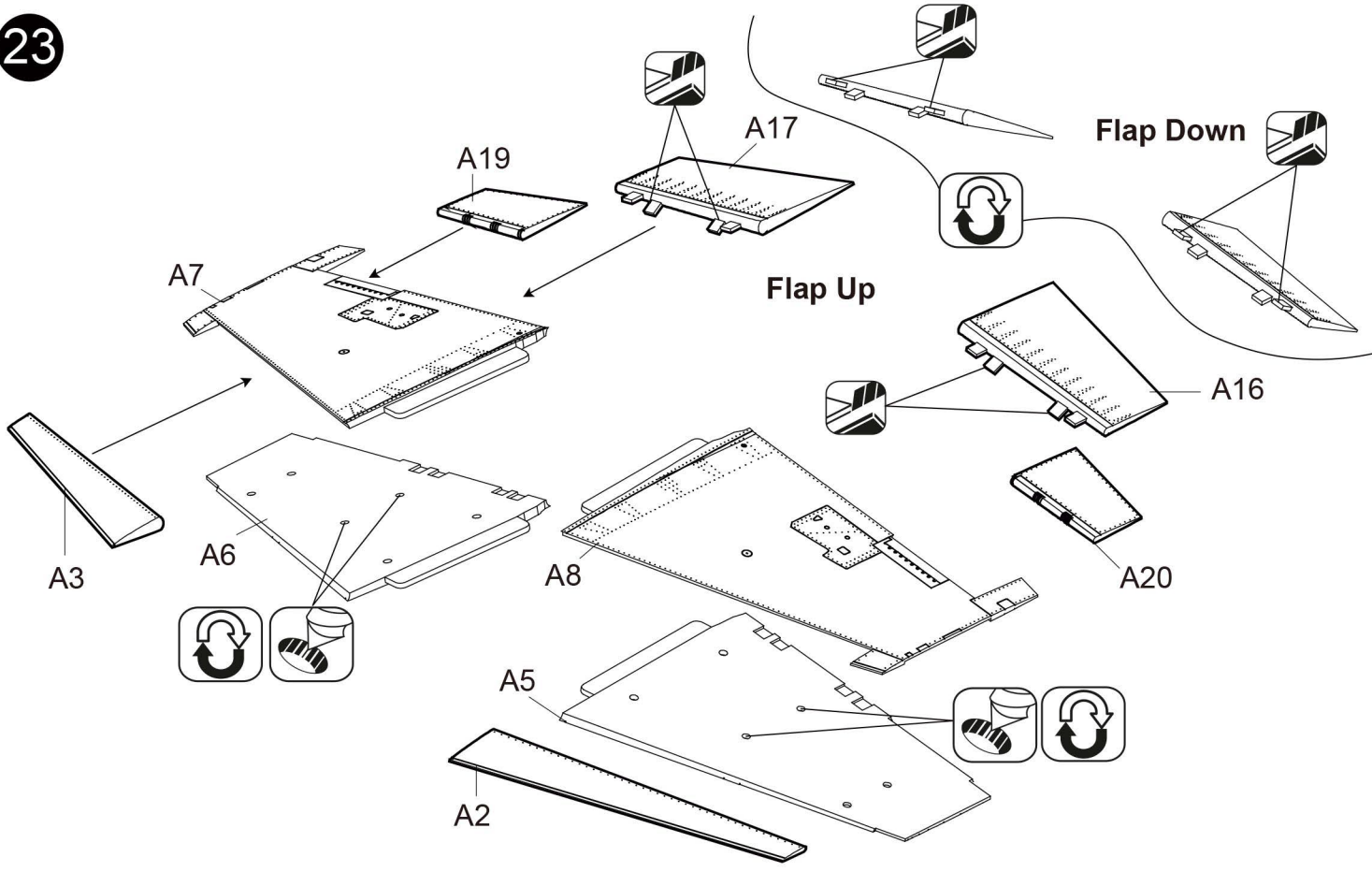
21



22



23

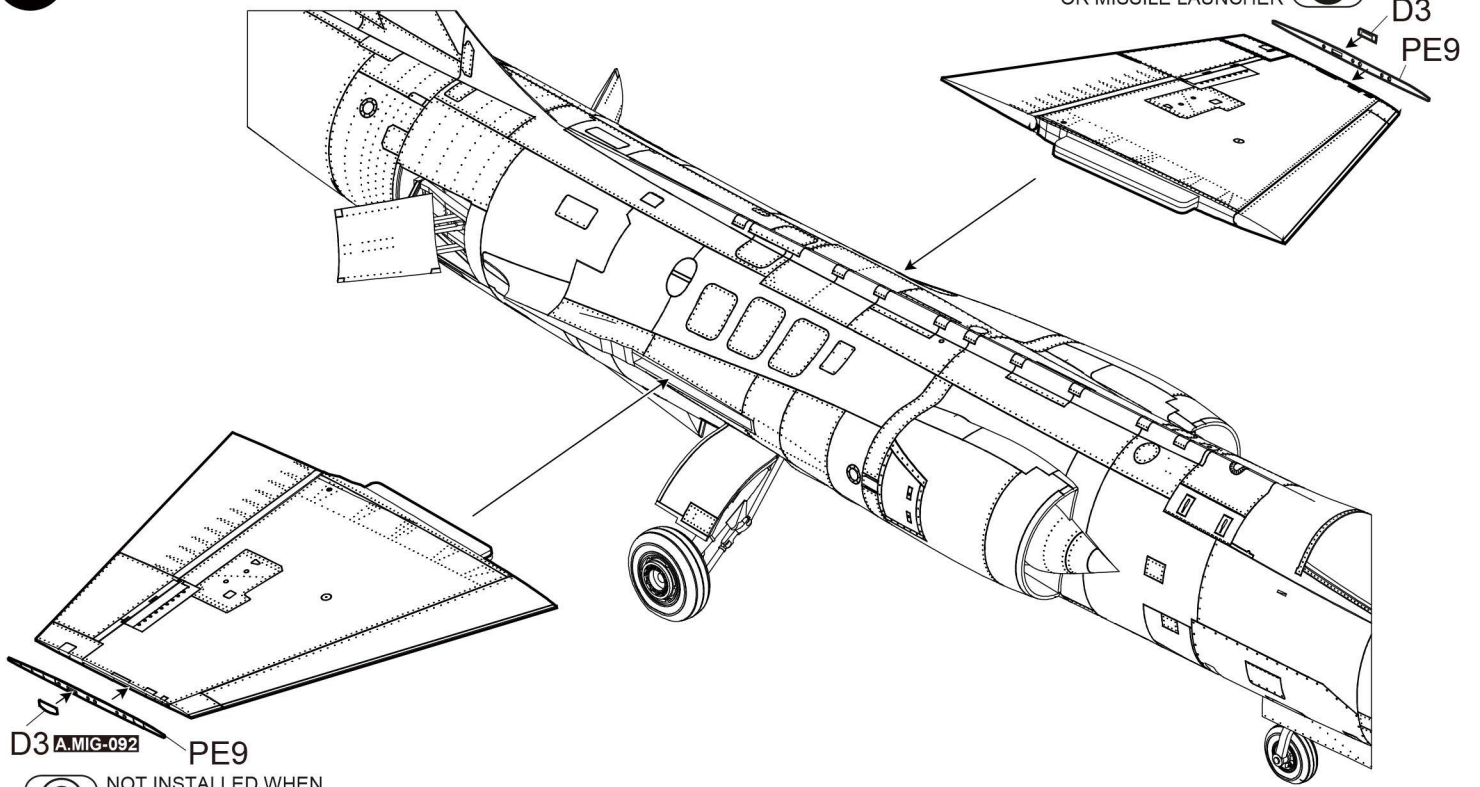


24

NOT INSTALLED WHEN
SELECTING WINGTIP TANK
OR MISSILE LAUNCHER



A.MIG-092

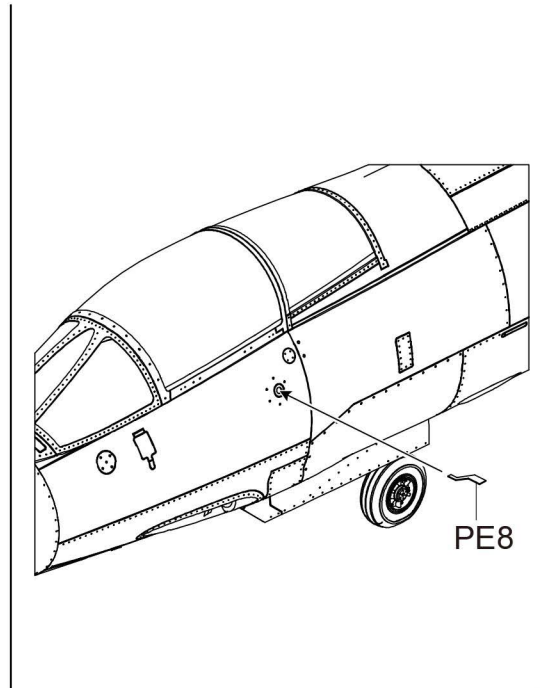
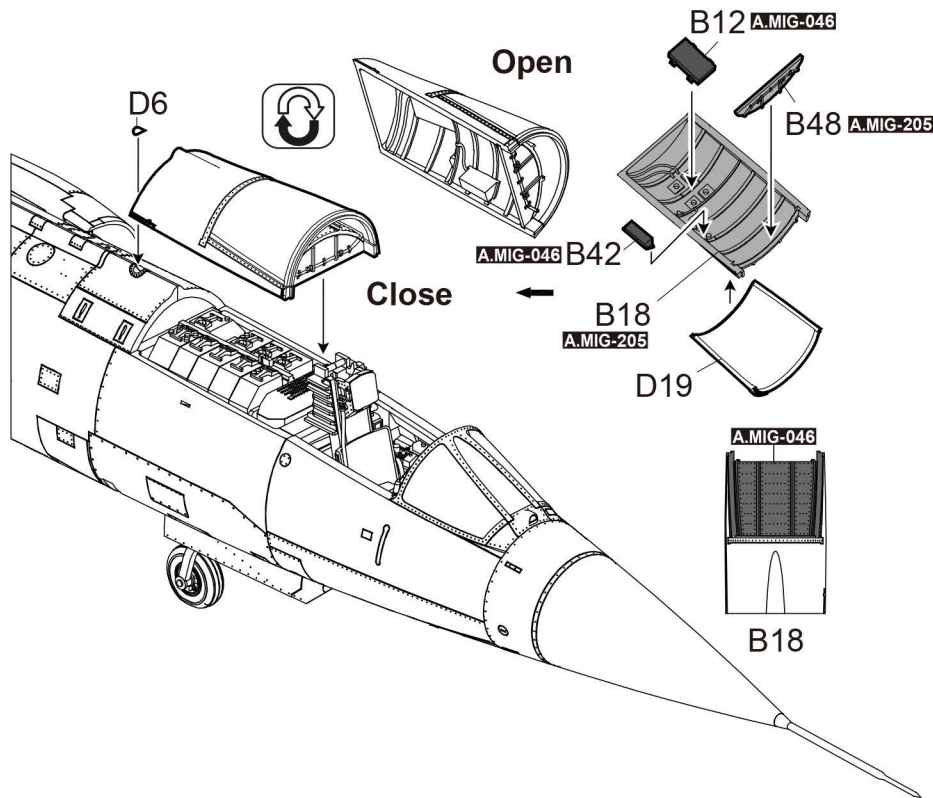


D3 A.MIG-092 PE9



NOT INSTALLED WHEN
SELECTING WINGTIP TANK
OR MISSILE LAUNCHER

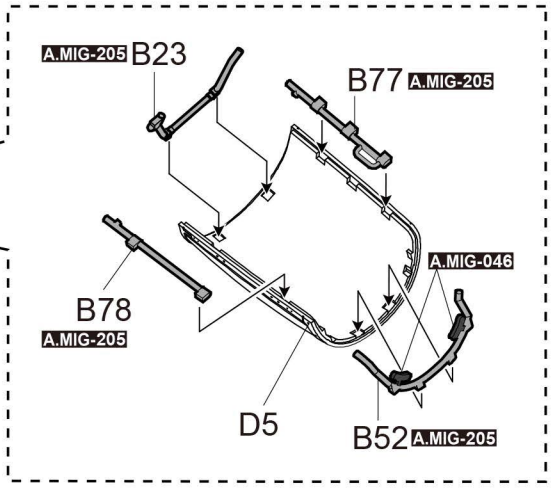
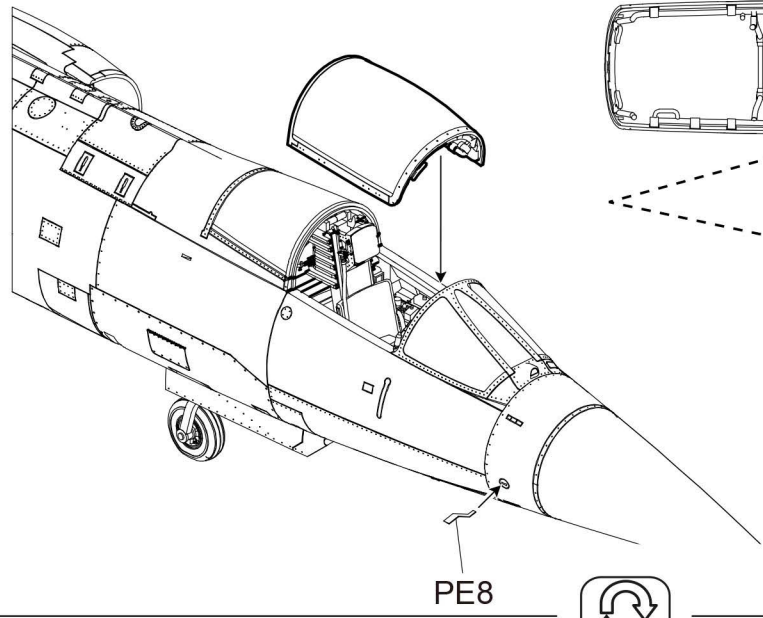
25



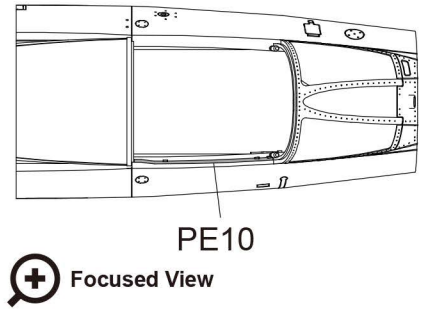
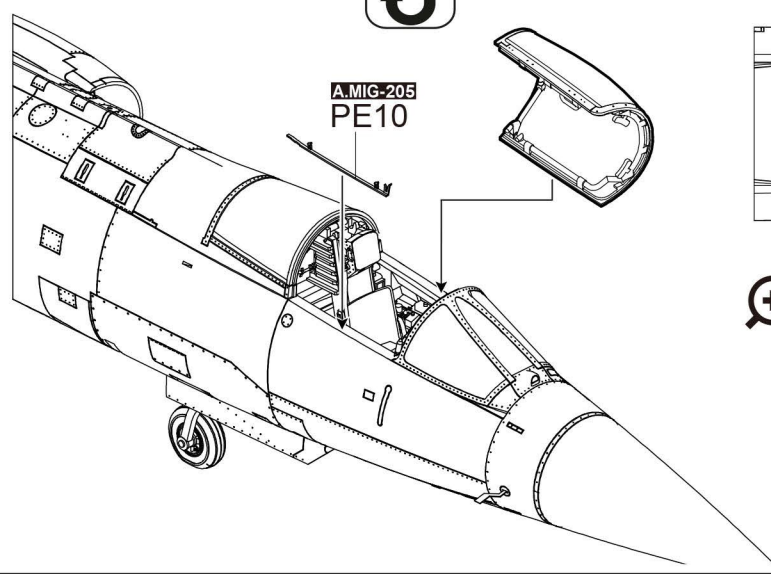
PE8

26 Canopy Close

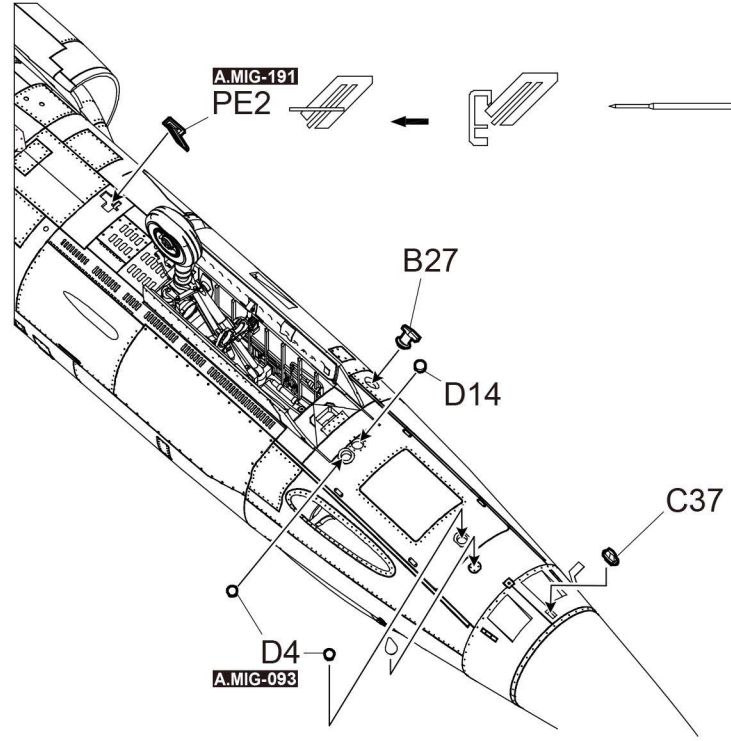
+ Focused View



Canopy Open

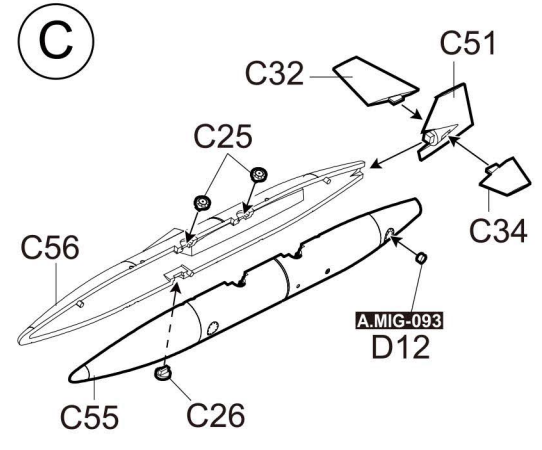
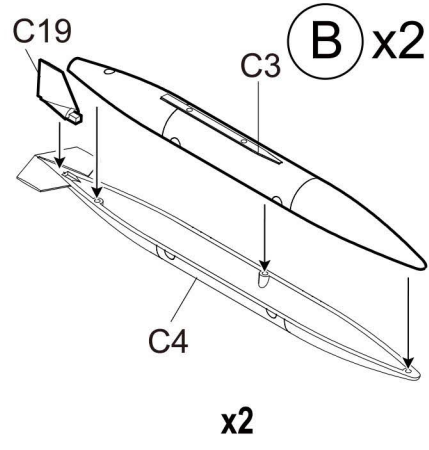
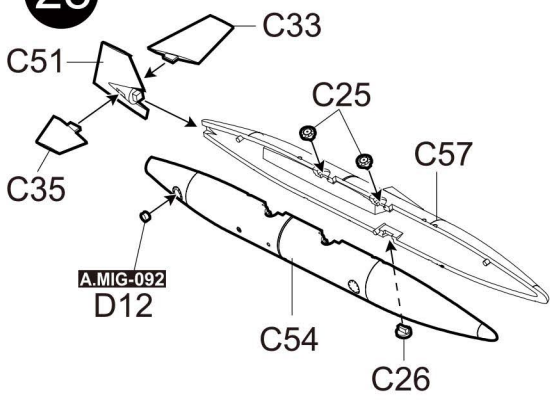


27

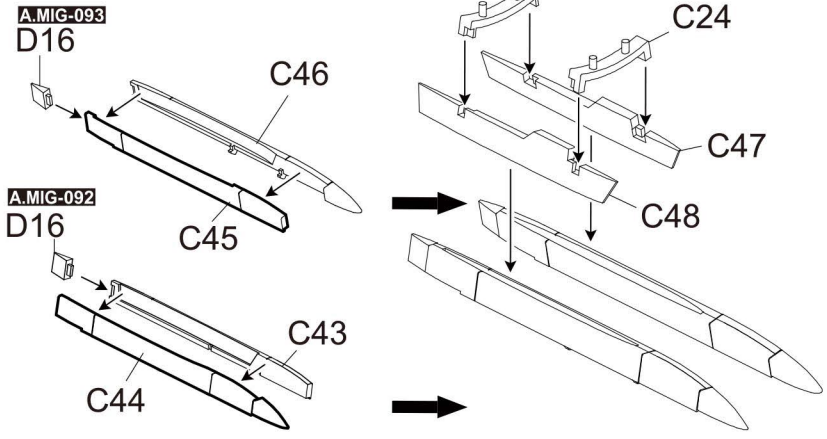


+ Focused View

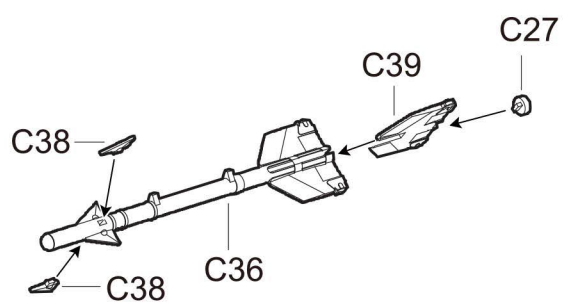
28



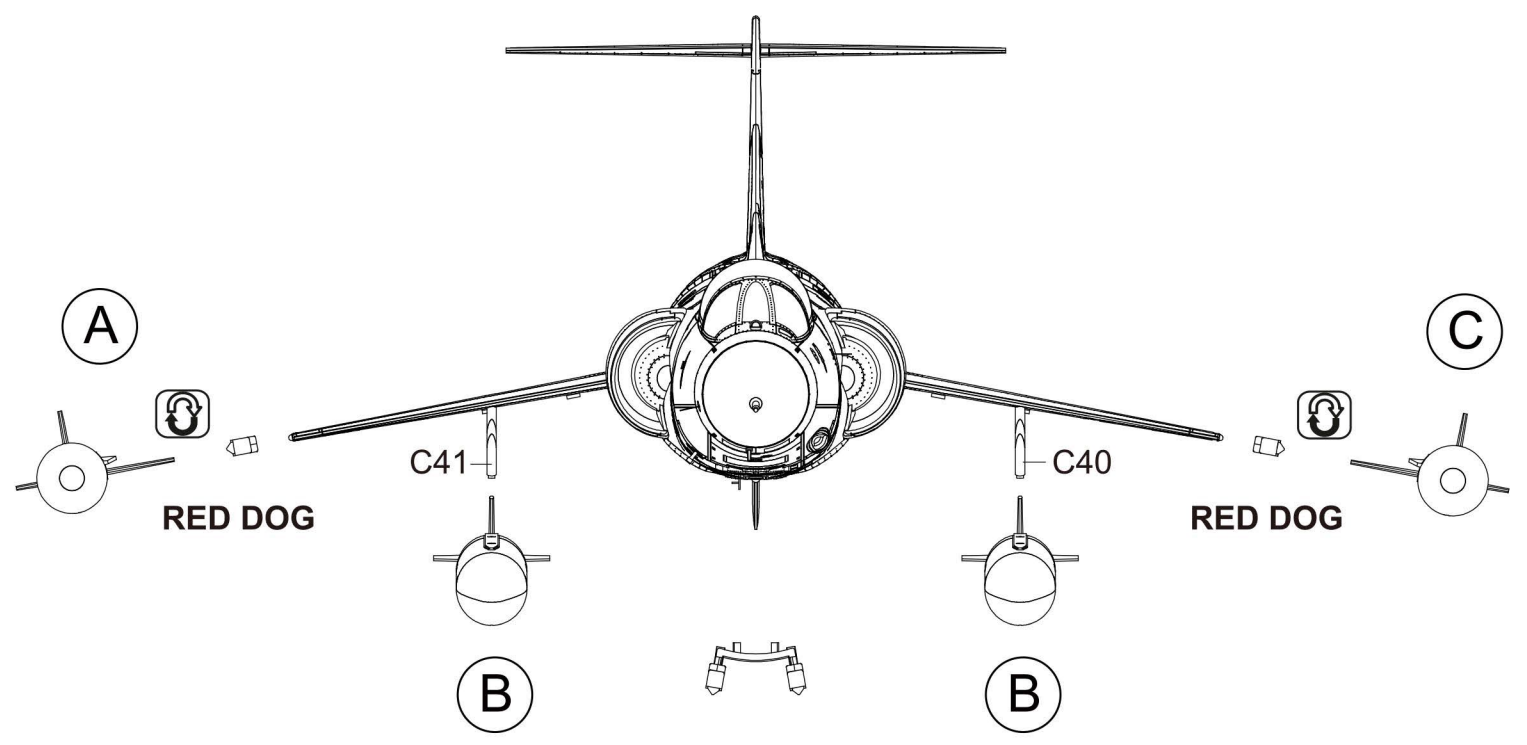
RED DOG x2



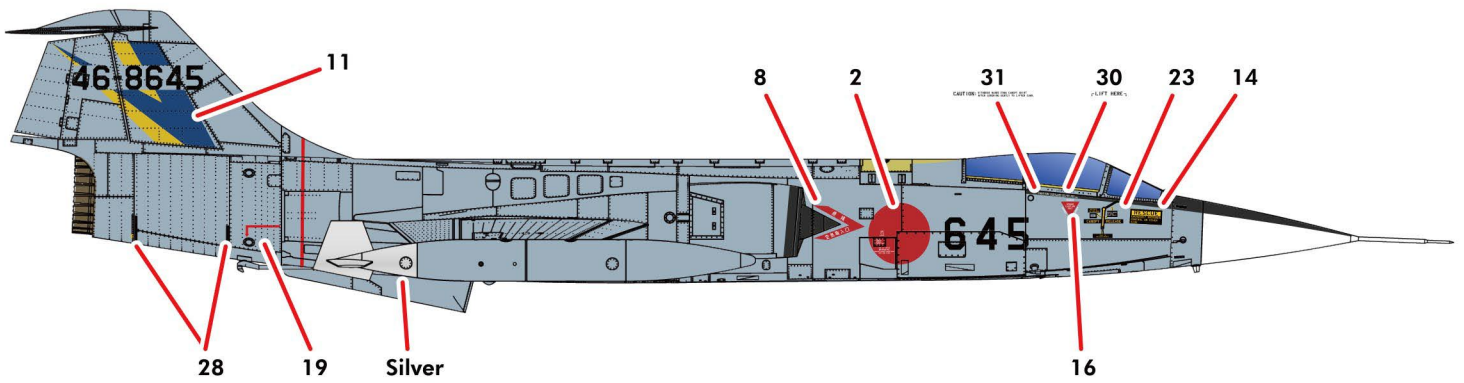
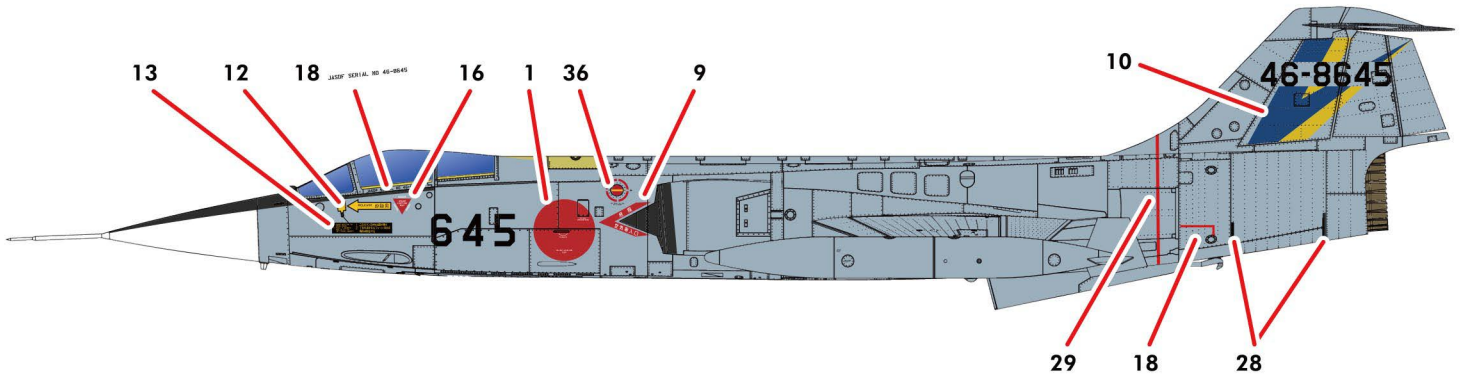
AIM-9B



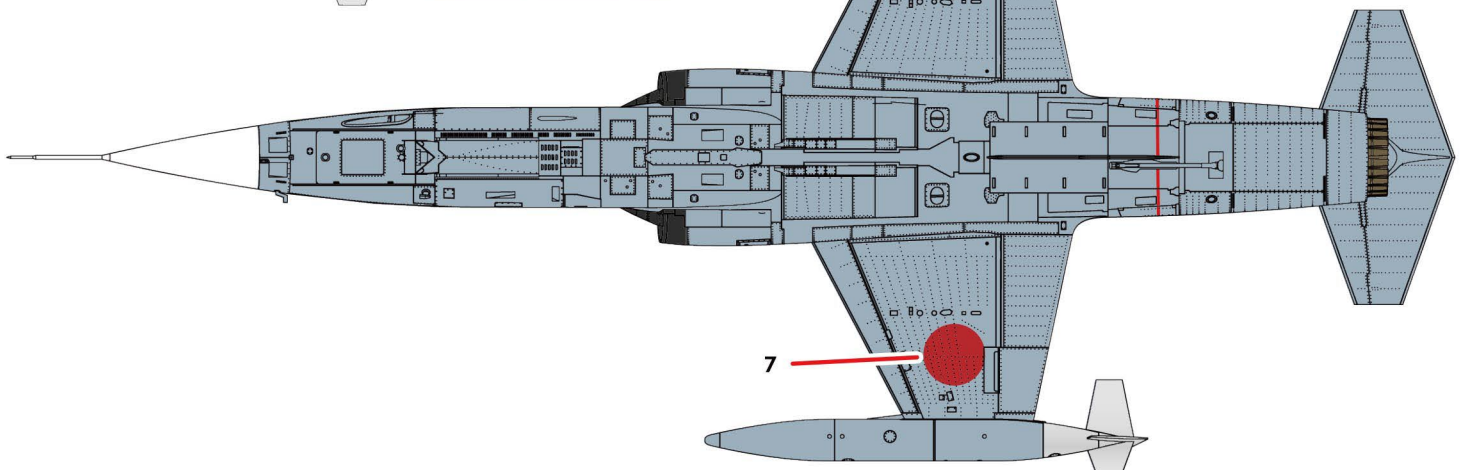
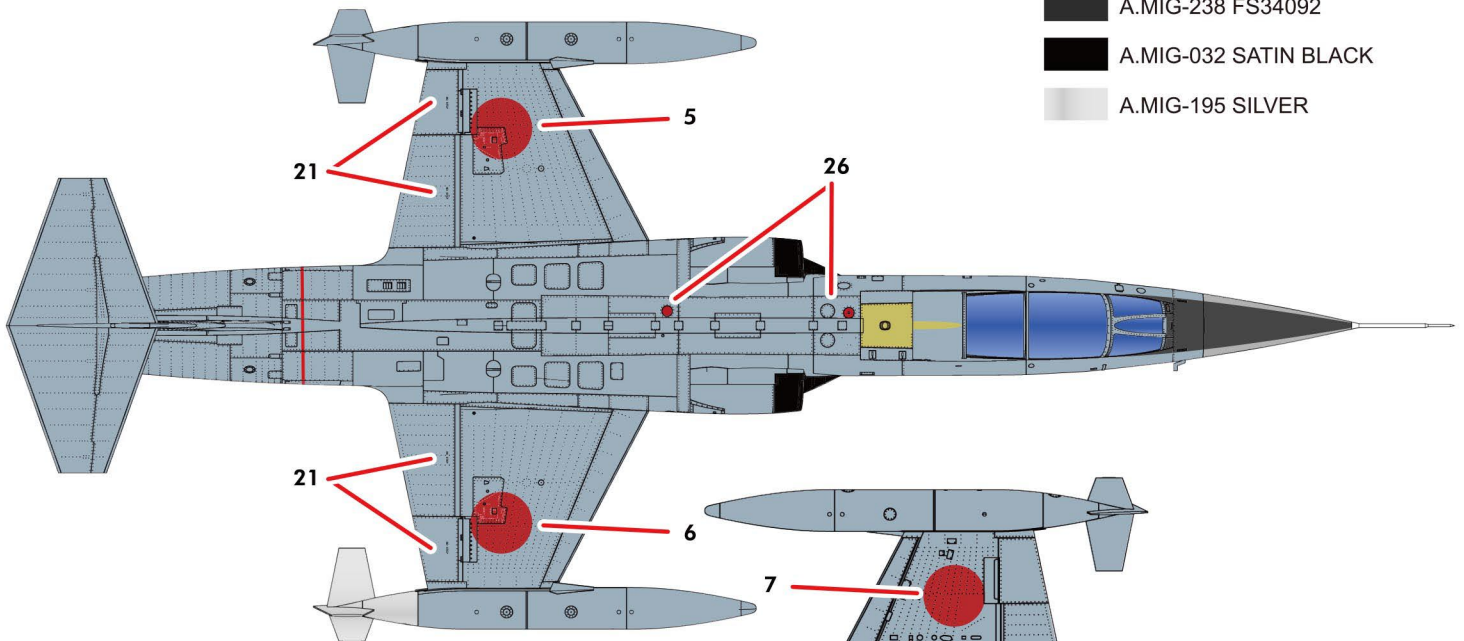
29



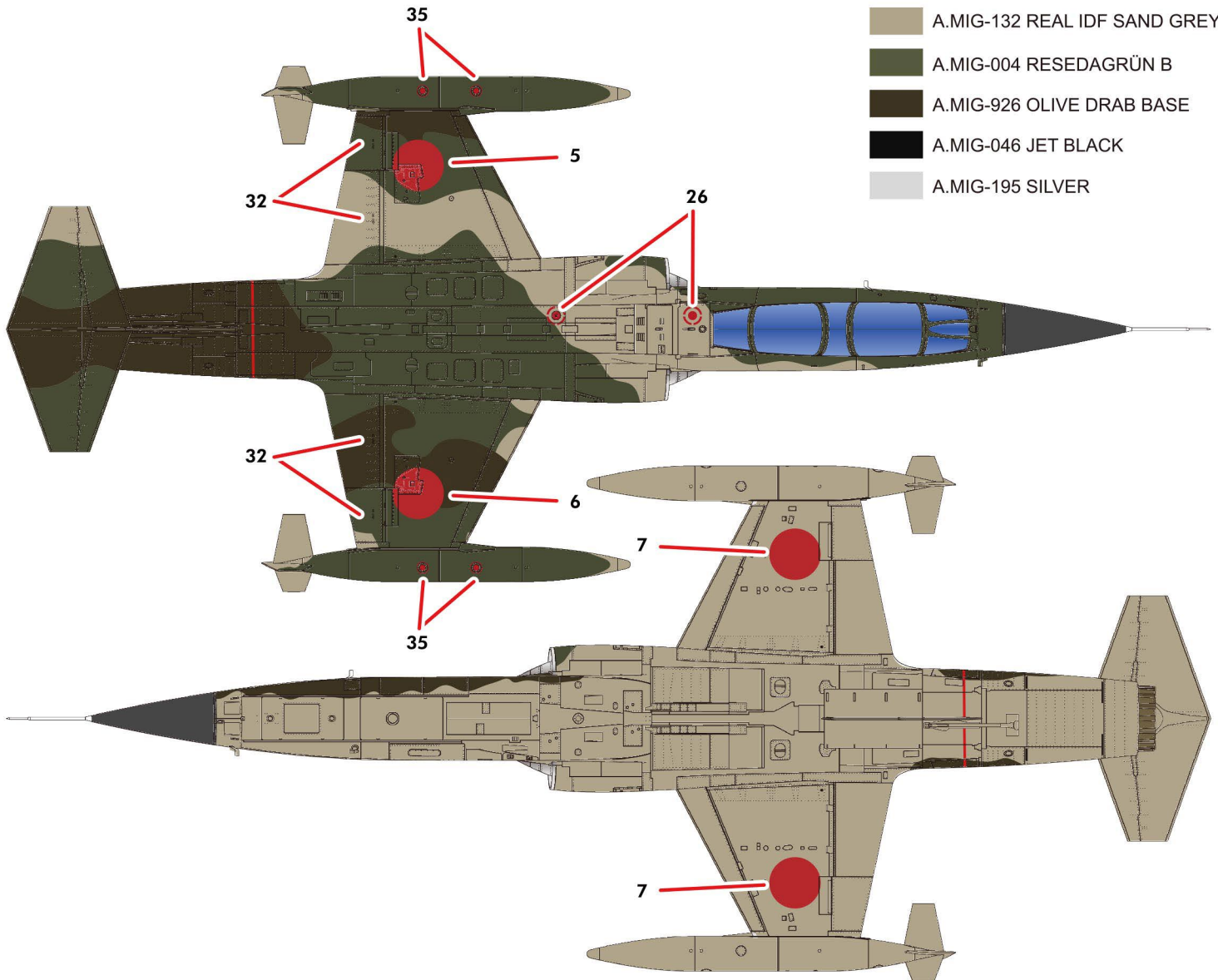
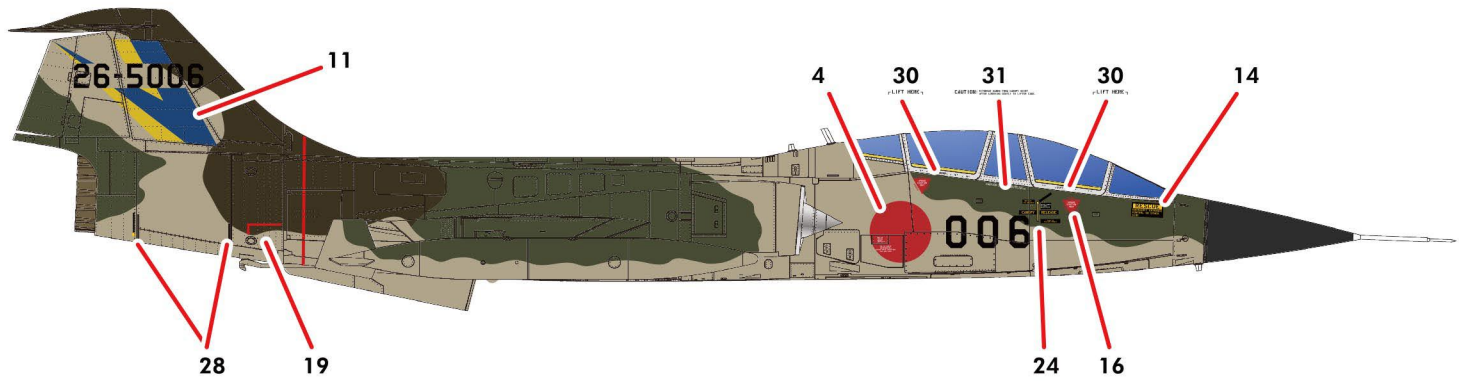
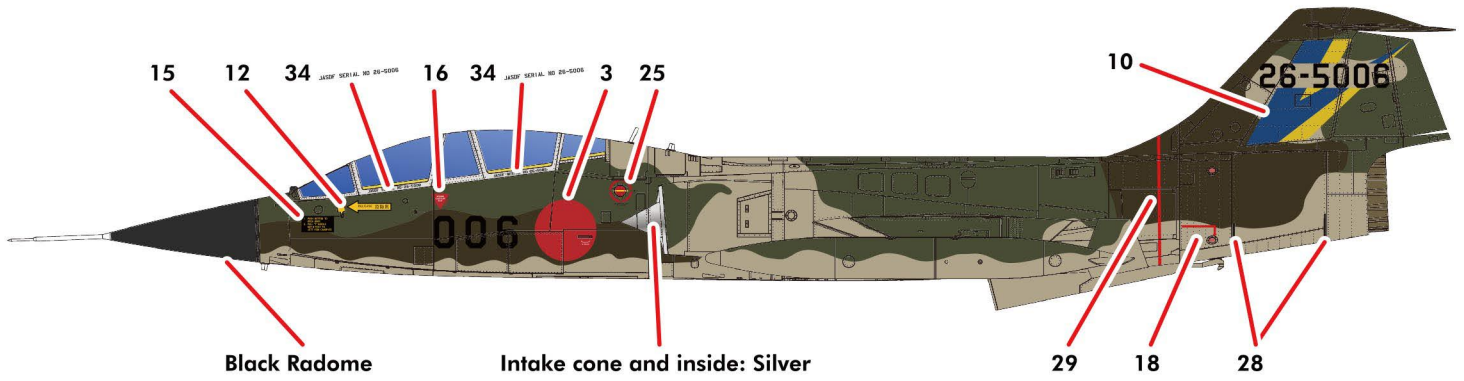
1. F-104J, 204th Tactical Fighter Squadron, Nyutabaru Air base, 1982 in experimental gray camouflage.



- A.MIG-203 70% + A.MIG-204 30%
- A.MIG-238 FS34092
- A.MIG-032 SATIN BLACK
- A.MIG-195 SILVER



2. TF-104G, 204th Tactical Fighter Squadron, at Combat Competition '83, in experimental camouflage.



- A.MIG-132 REAL IDF SAND GREY 73
- A.MIG-004 RESEDAGRÜN B
- A.MIG-926 OLIVE DRAB BASE
- A.MIG-046 JET BLACK
- A.MIG-195 SILVER