

Russian BTR-80A APC

俄罗斯BTR-80A装甲运输车

1:35 SCALE

READ BEFORE ASSEMBLY:

- Study and understand these instructions thoroughly before beginning assembly
- When needed, remove photo-etch parts carefully using a modeling knife or photo etch sprue cutter, being careful not to damage or lose small parts.
- Take extra care in handling photo etch parts in order to avoid injury
- Apply instant cement sparingly to photo etch parts where instructed
- Tools recommended(not included in kit):Plastic and instant cements, sprue cutters,long nose pliers,modeling knife, small files, tweezers, pin vise & scissors. Soft cloth and sandpaper will also assist in construction
- Glue and paint are not included in the kit. Use plastic cement and hobby paints only. Color guide for purchasing paint is included in the kit.

装配之前仔细阅读

- 小心用模型锉刀锉平所有零件表面的注射浇口。
- 小心用刀片切下蚀刻片零件，不要遗失小零件。
- 用强力快干胶水粘合蚀刻片零件和金属轴。过量快干胶水使用可能导致可动零件会粘住，小心涂胶。
- 取蚀刻片时应特别注意安全，防止利边划伤手指。
- 某些零件表面需贴上水贴纸，请选择在装配的同时进行。
- 推荐模型工具(自备)：胶水，水口剪刀，长咀钳，刀片，锉刀，镊子，钳，钻，剪刀，瞬间快干胶。
- 软布同砂纸同时也应该是必备工具。
- 请使用塑料胶水和油漆，模型内不含。



配重
Weight



使用强力胶
Cyanoacrylate glue



钻孔
Make hole



切除
Cut / Remove



贴纸
Decal



锉平
File / Sand



选择
Option



不涂胶水
No cement



弯曲
Bend

水贴纸的使用:

- 1.从水贴上剪下印花;
- 2.将印花放入温水中浸10秒, 然后放在干净布上。
- 3.拿着印花纸板将印花移到模型上;
- 4.手指蘸水将印花移到适当的位置;
- 5.用软布轻压印花直至水干, 气泡消失

DECAL APPLICATION

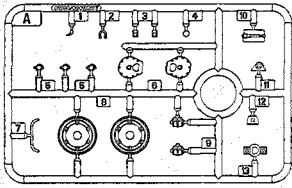
- 1.Cut decals from sheet as needed
- 2.Dip the decal in warm water for about 10 seconds and then place on soft clean cloth.
- 3.Hold the decal backing sheet edge and gently slide the decal onto the model in its proper position.

- 4.While still wet,decal can be adjusted for better fit on model by dampening it gently with your finger.
- 5.When placed in the proper position,gently press decal down with a soft cloth until excess water and air bubbles are gone.
- 6.Allow decal to dry completely before handling model

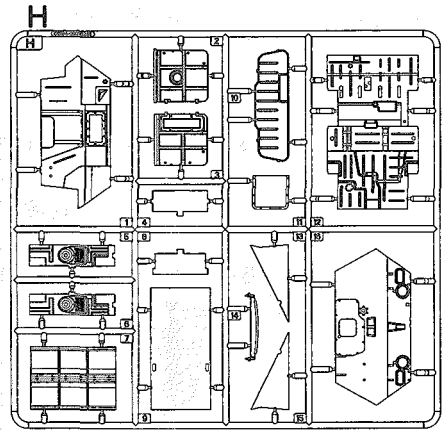
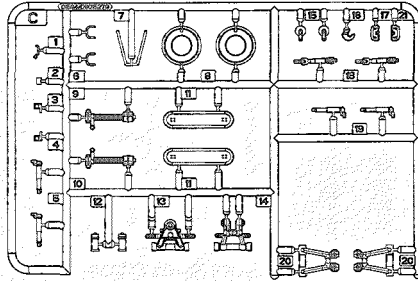
部品图

Part

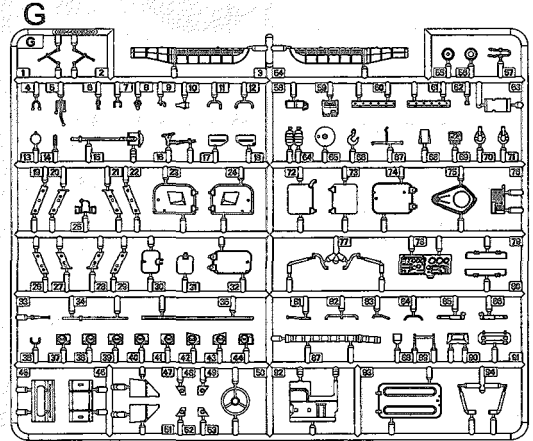
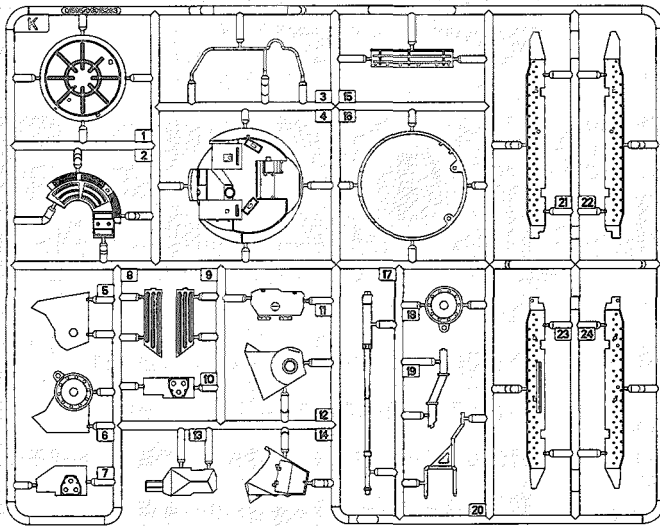
Ax4



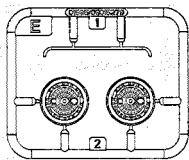
Cx4



K



E x4



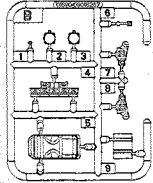
《聚乙烯盖》
Poly cap



《轮胎》
Tyre x 8



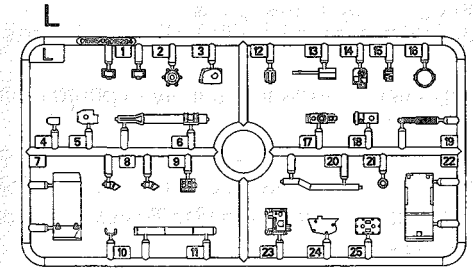
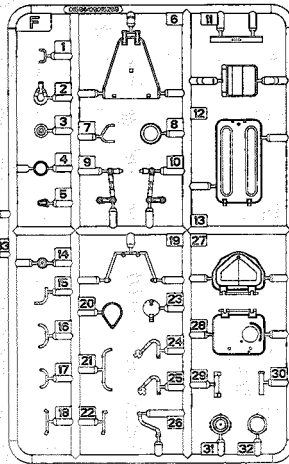
B x2



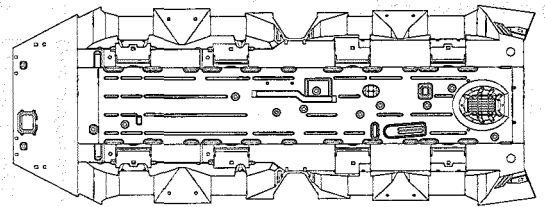
《铜线》 \varnothing 0.8x300mm
Brass wire



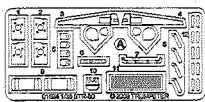
F x2



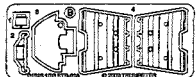
《车底》
Lower hull



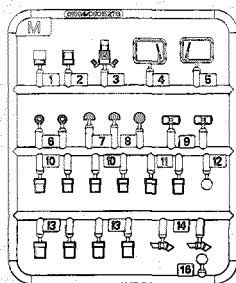
《蚀刻片-A》
PE-A



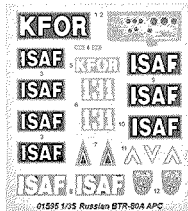
《蚀刻片-B》
PE-B



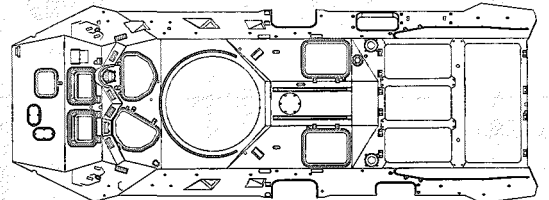
M



《水贴》
Decal

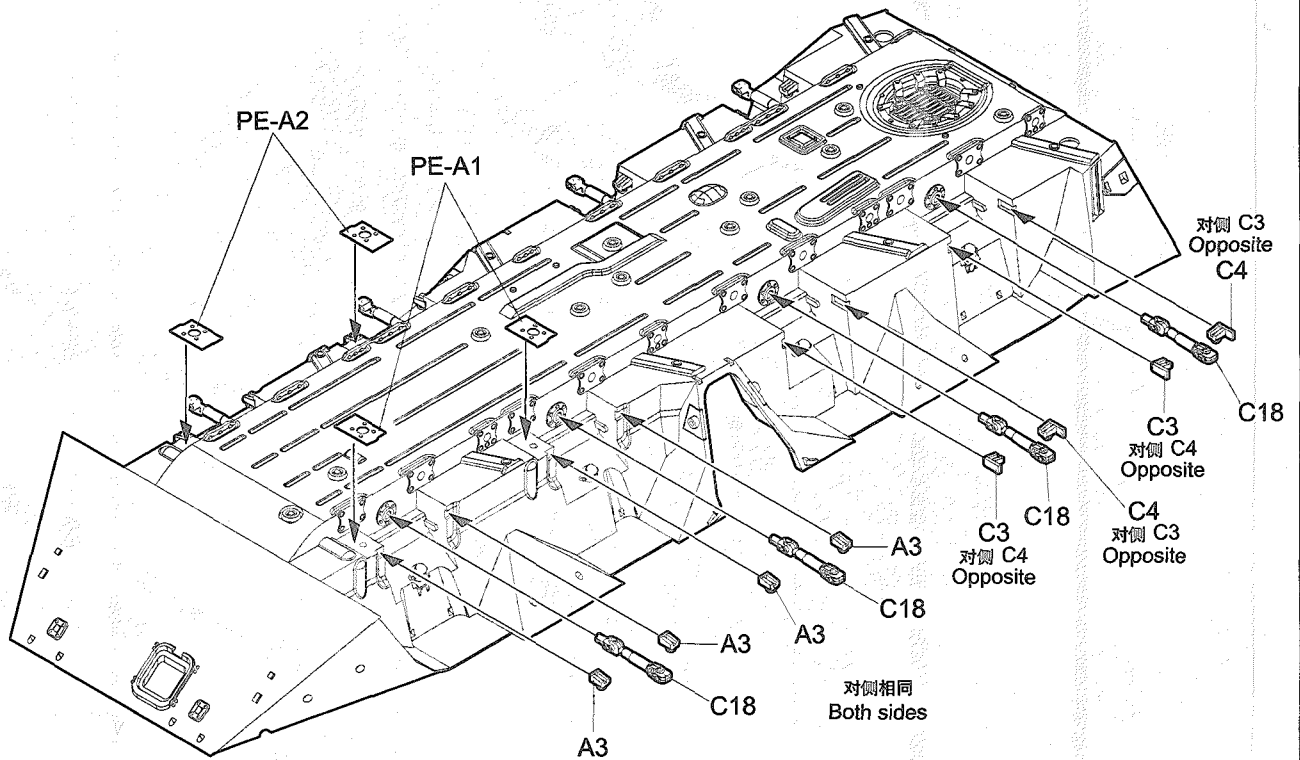
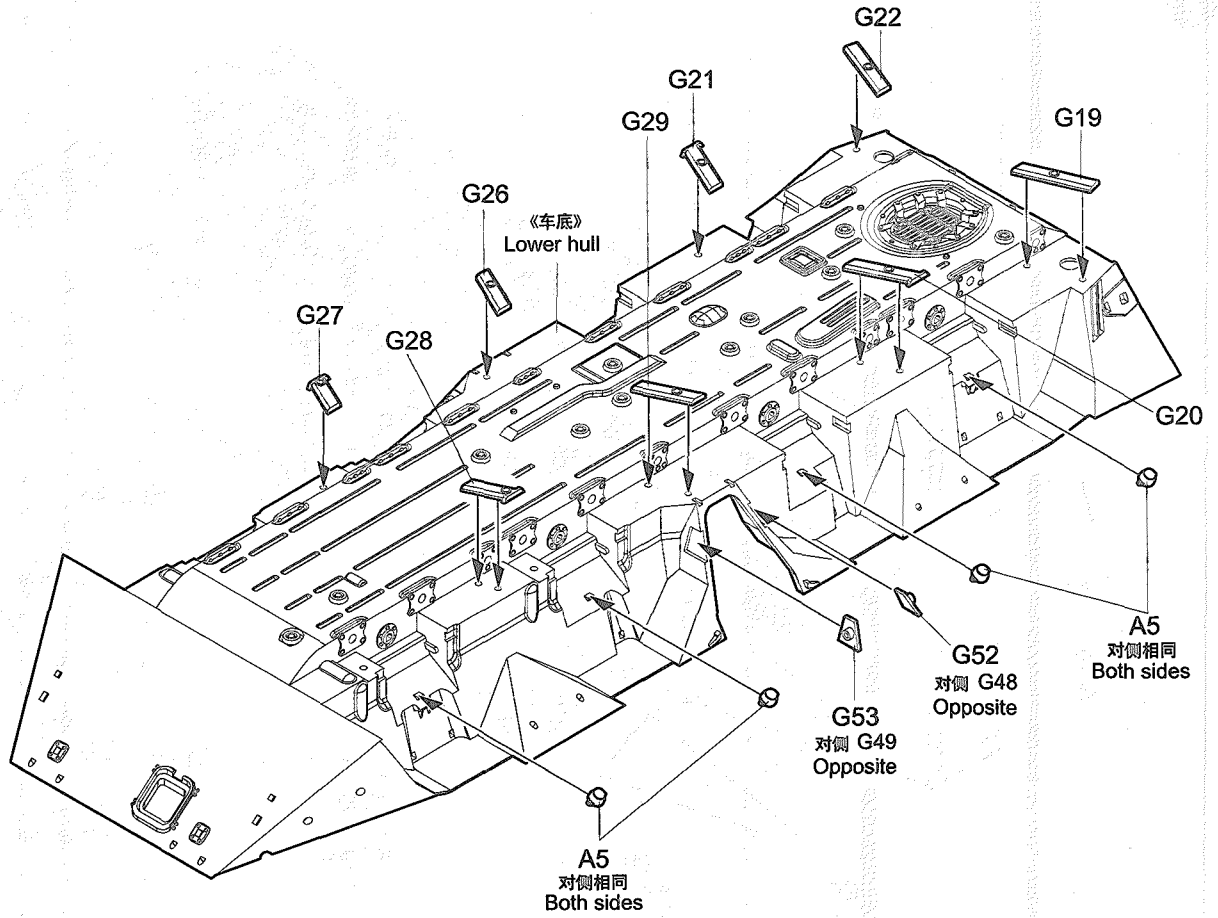


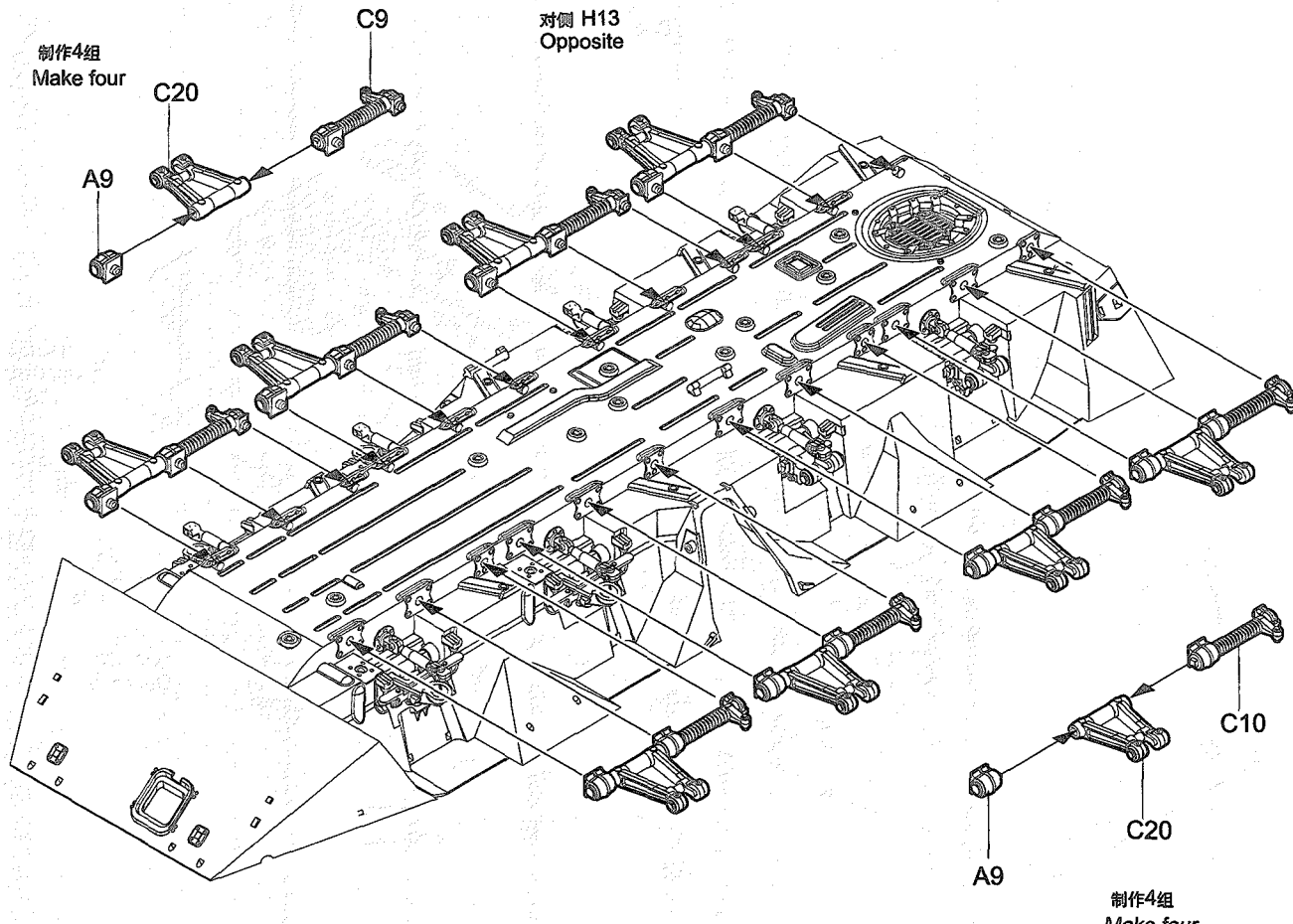
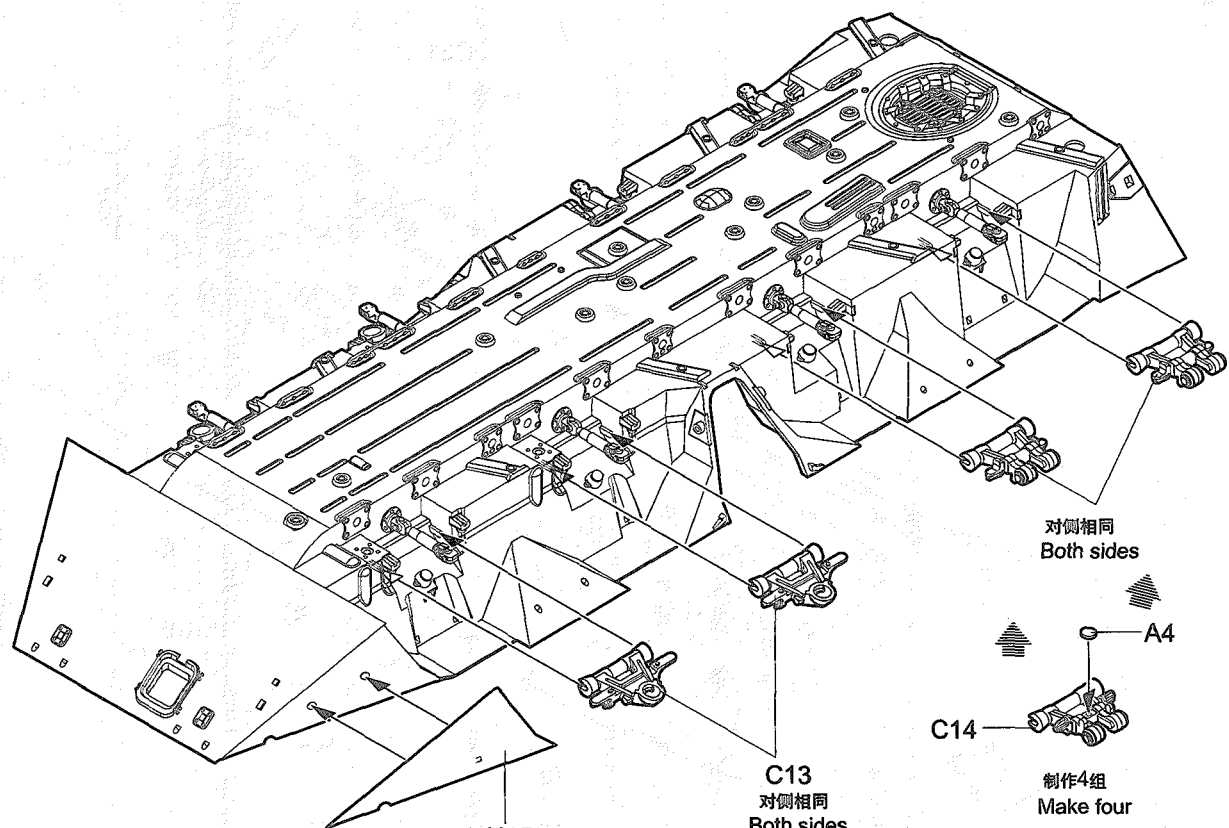
《车面》
Upper hull

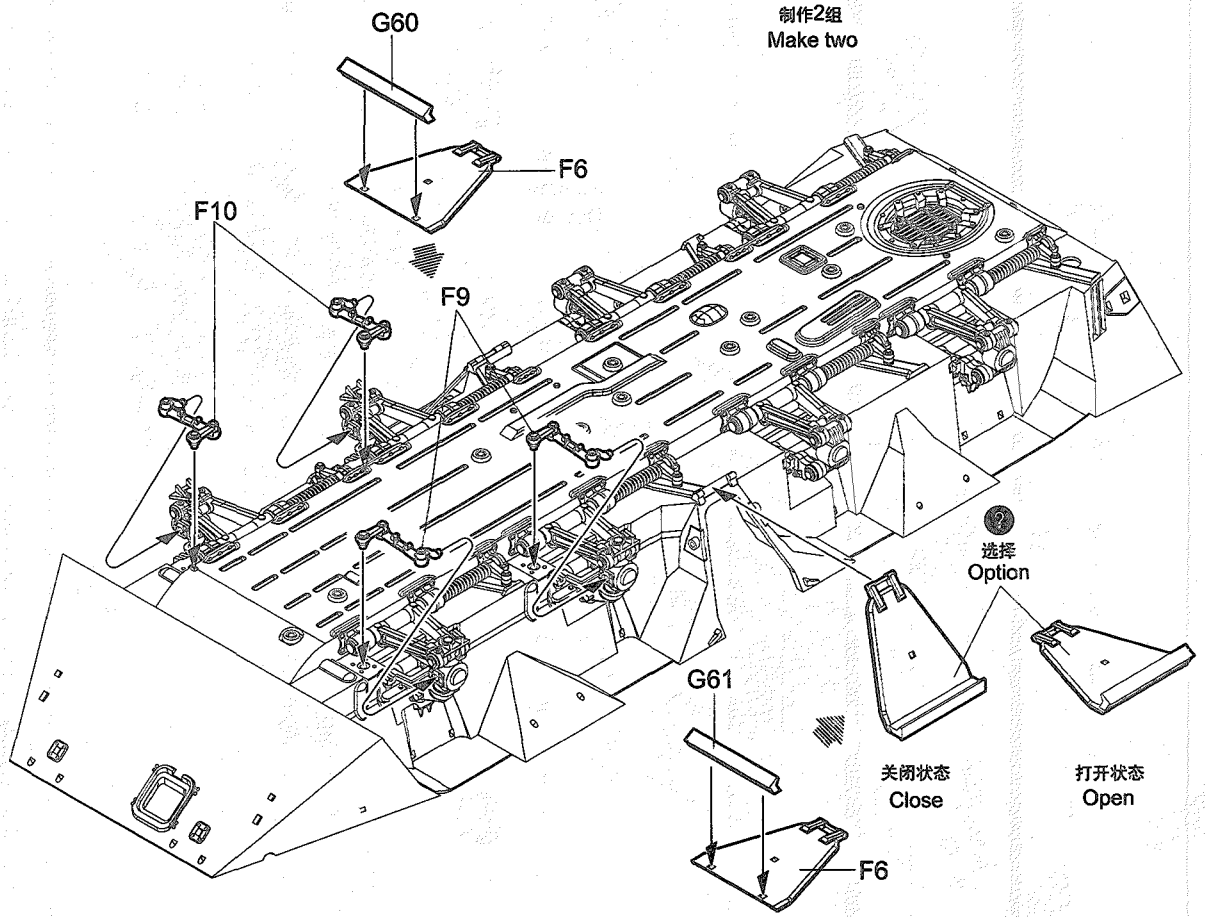
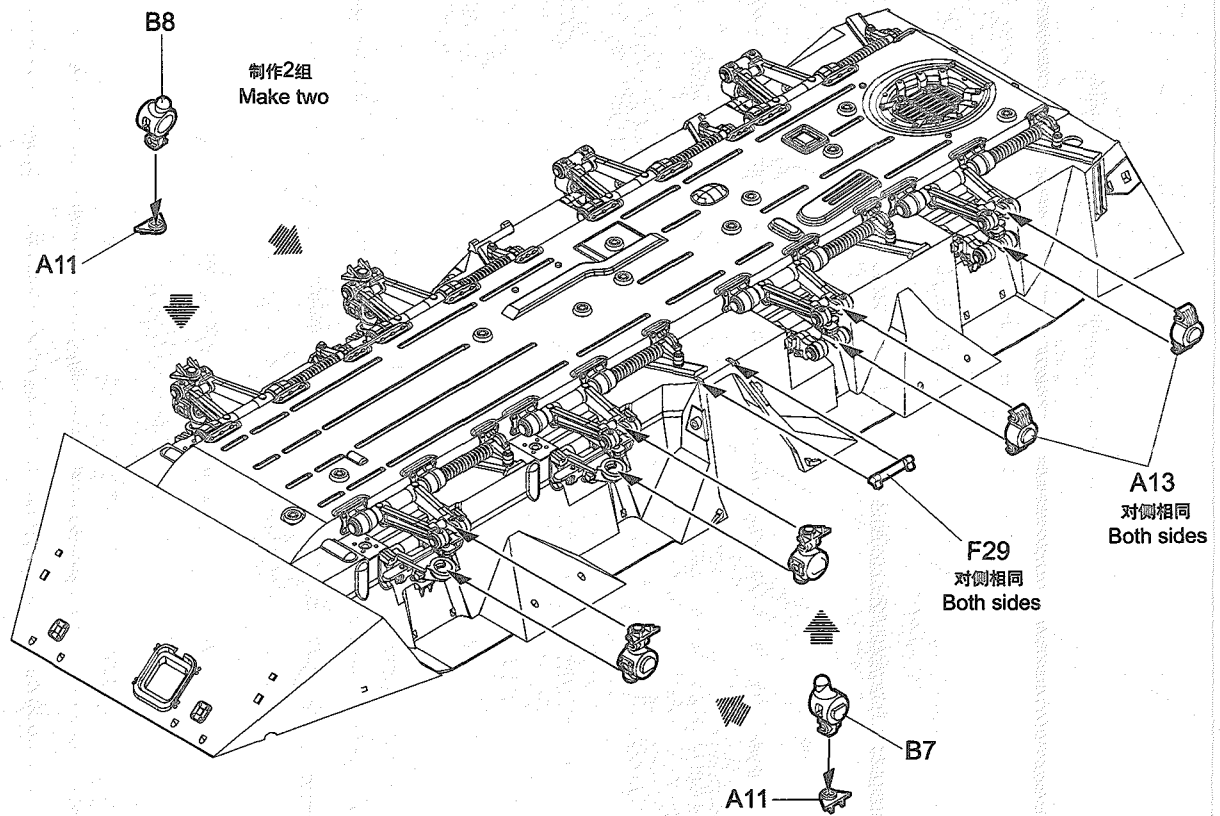


不用部品: M15,A12,C8
Unused parts

1







4

选择
Option
打开状态
Open

对侧相同
Both sides F19

F22
对侧相同
Both sides

选择
Option
关闭状态
Close

关闭状态
Close

F19 对侧相同
Both sides

F18

C5
对侧C19
Opposite

G85
对侧G86
Opposite

C19
对侧C5
Opposite

C19 对侧C5
Opposite

C5
对侧C19
Opposite

A12 C17 C21

制作4组
Make four

A1

C16

A1

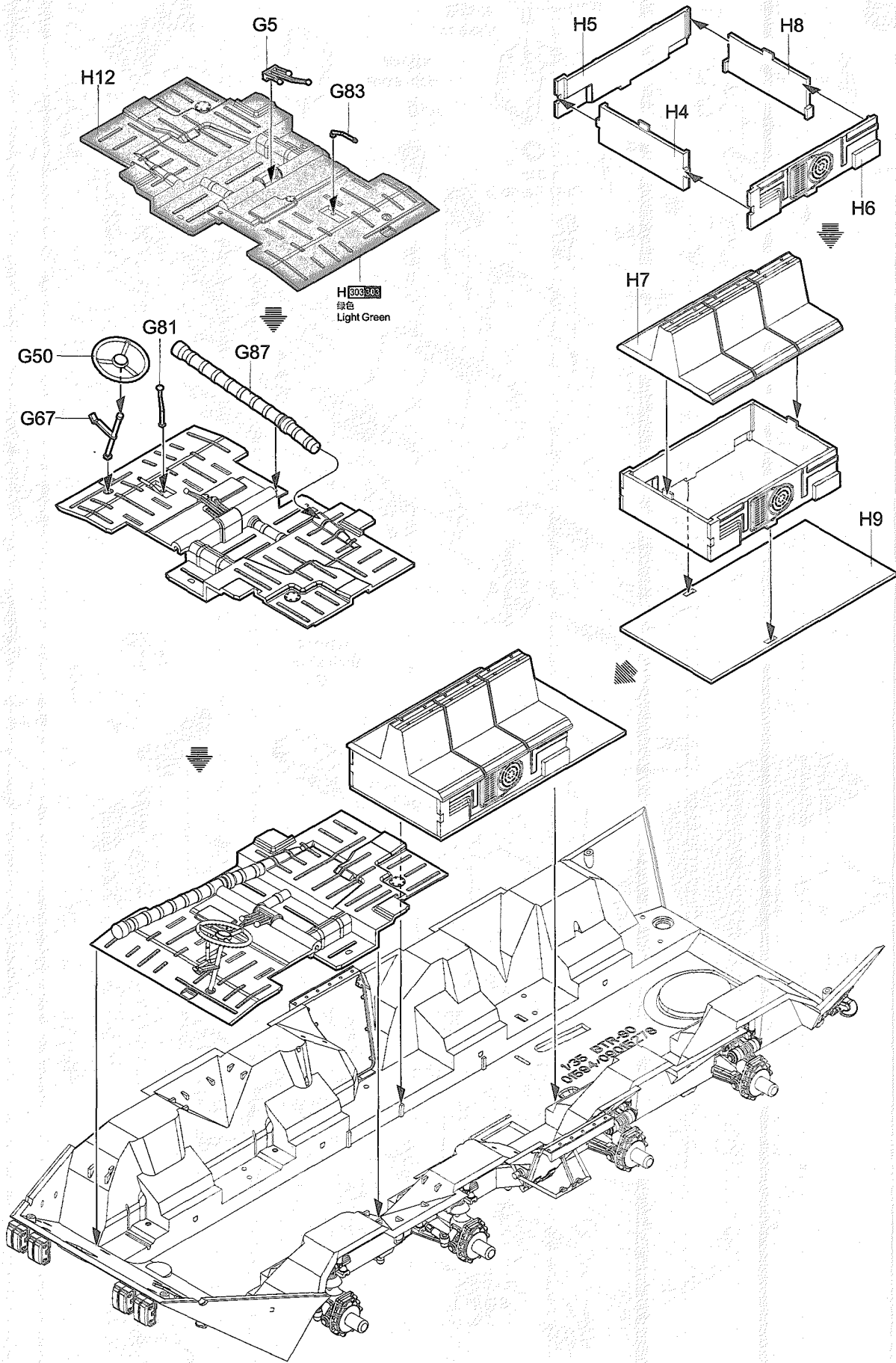
A1

G30

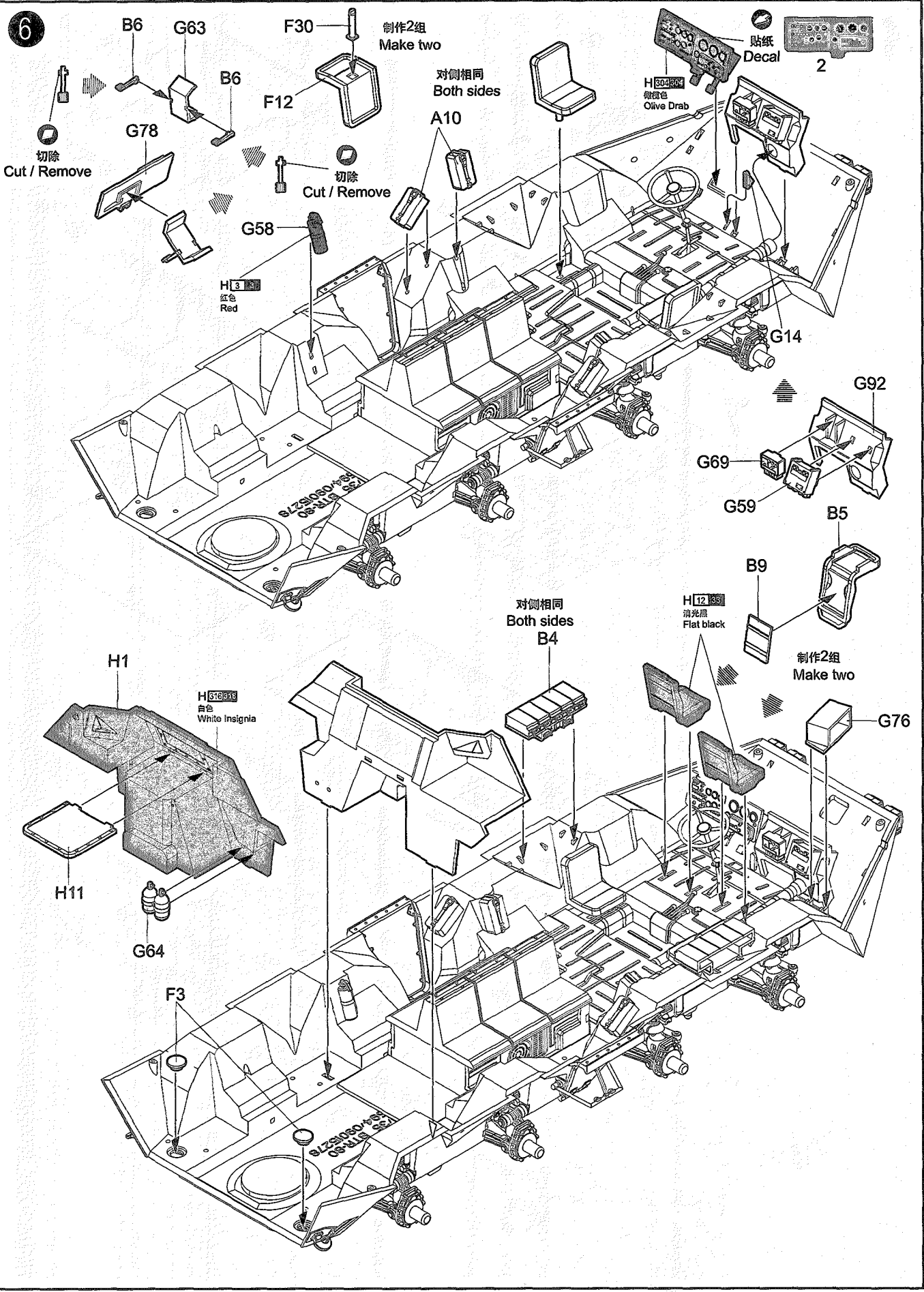
对侧相同
Both sides

A6

5



6

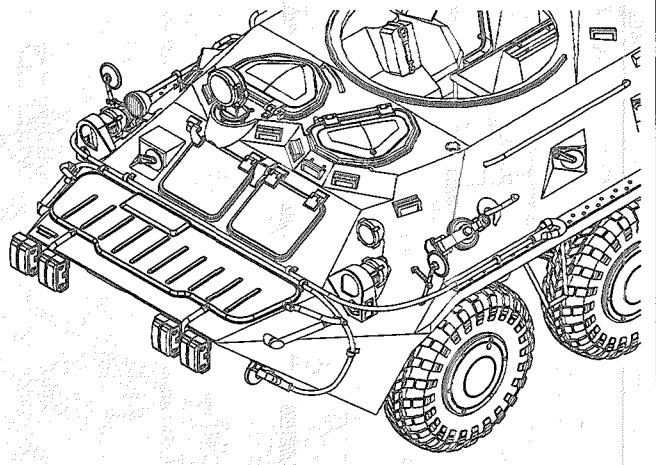
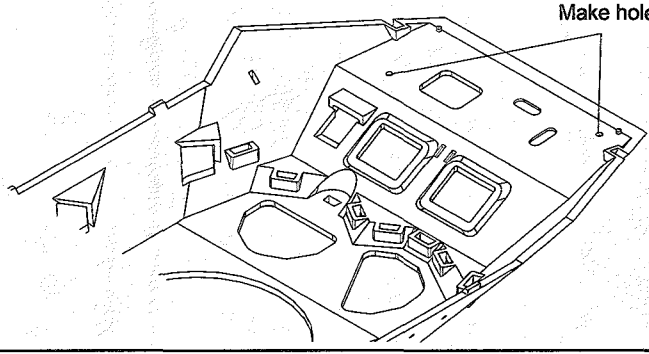


7

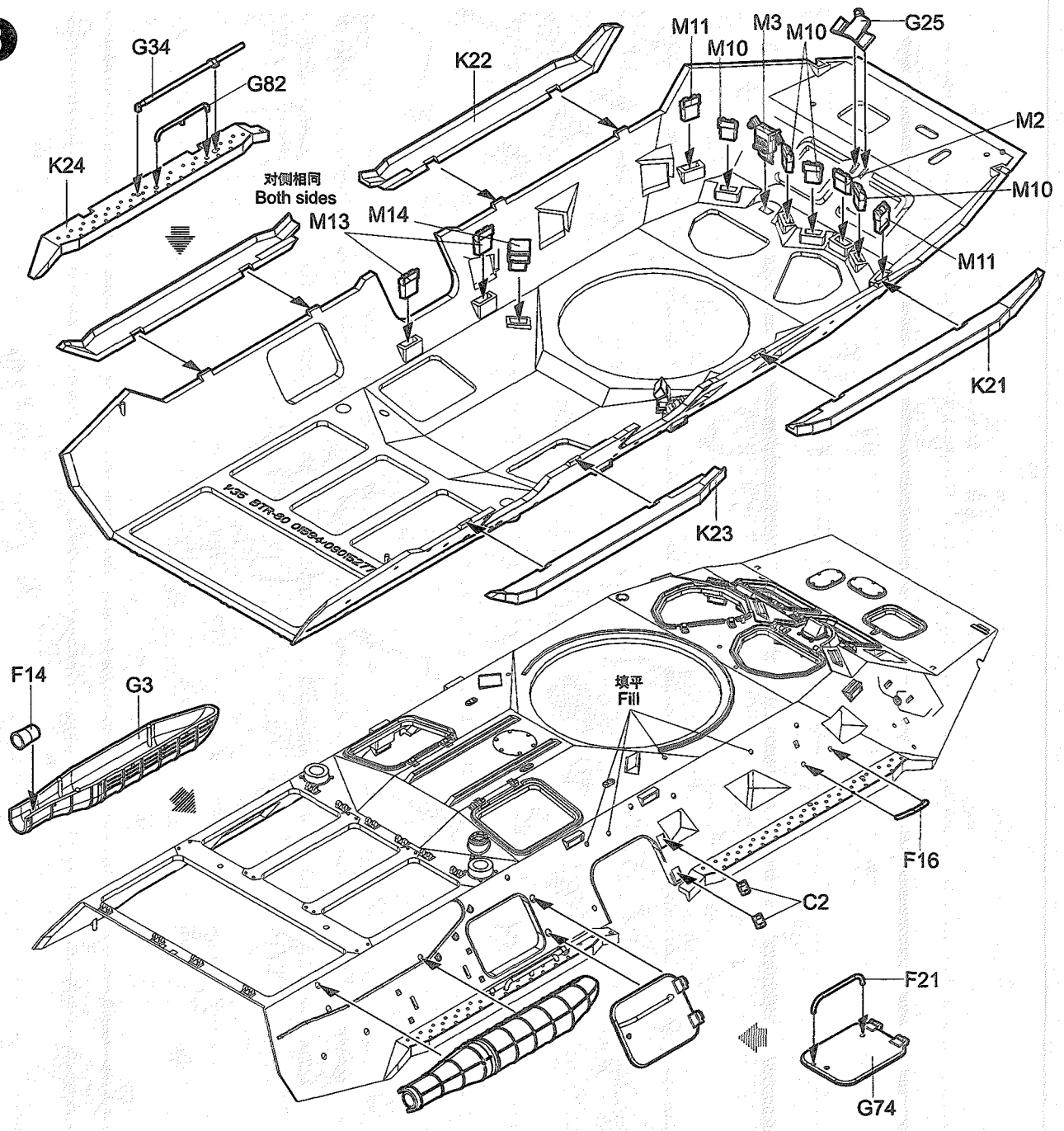
H10 收起状态, 车面开孔, 参考第14页.
H10 close, upper hull make holes,
Option refer to the 14 page.

选择
Option

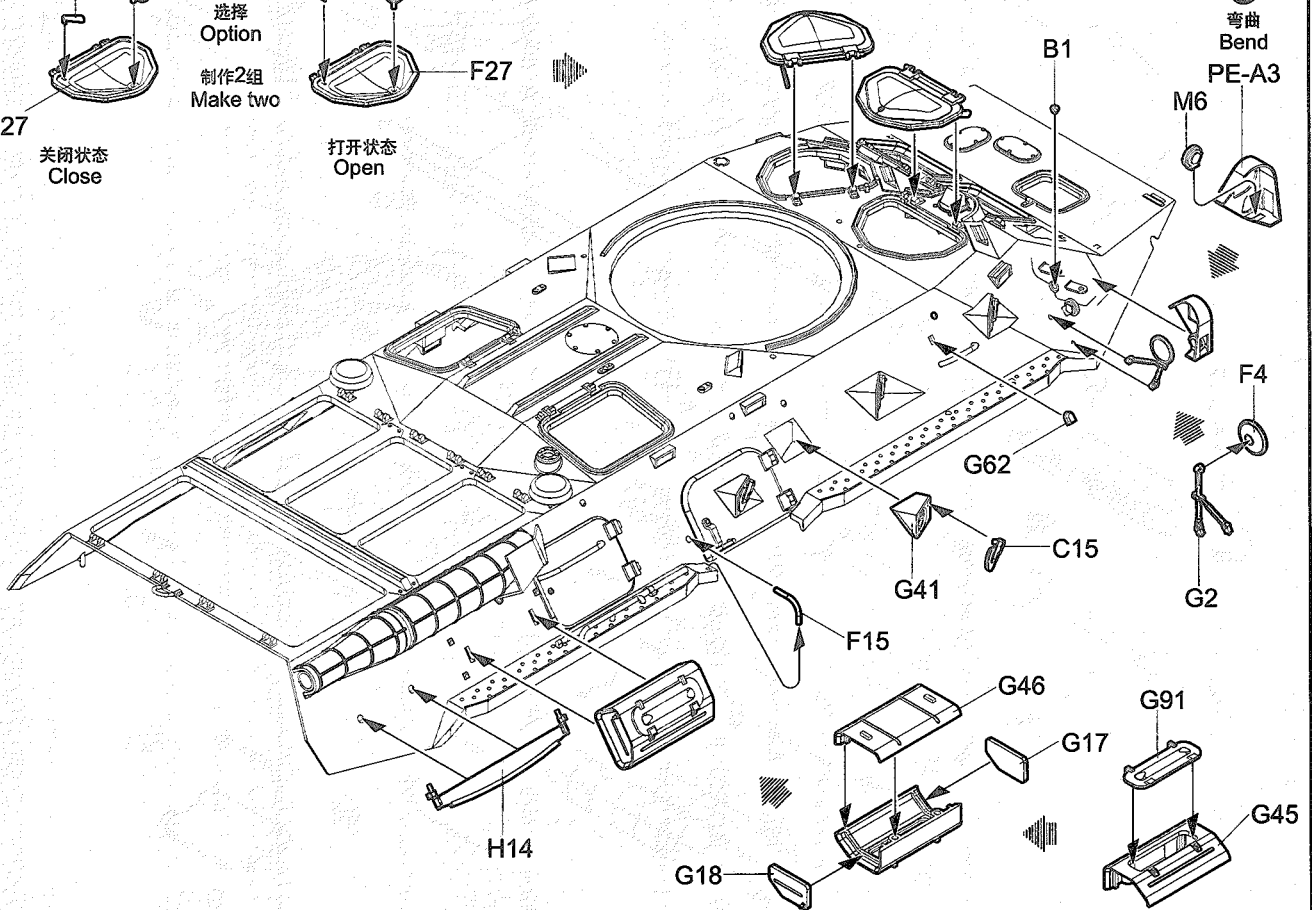
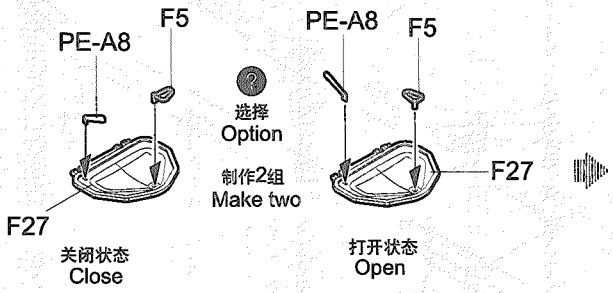
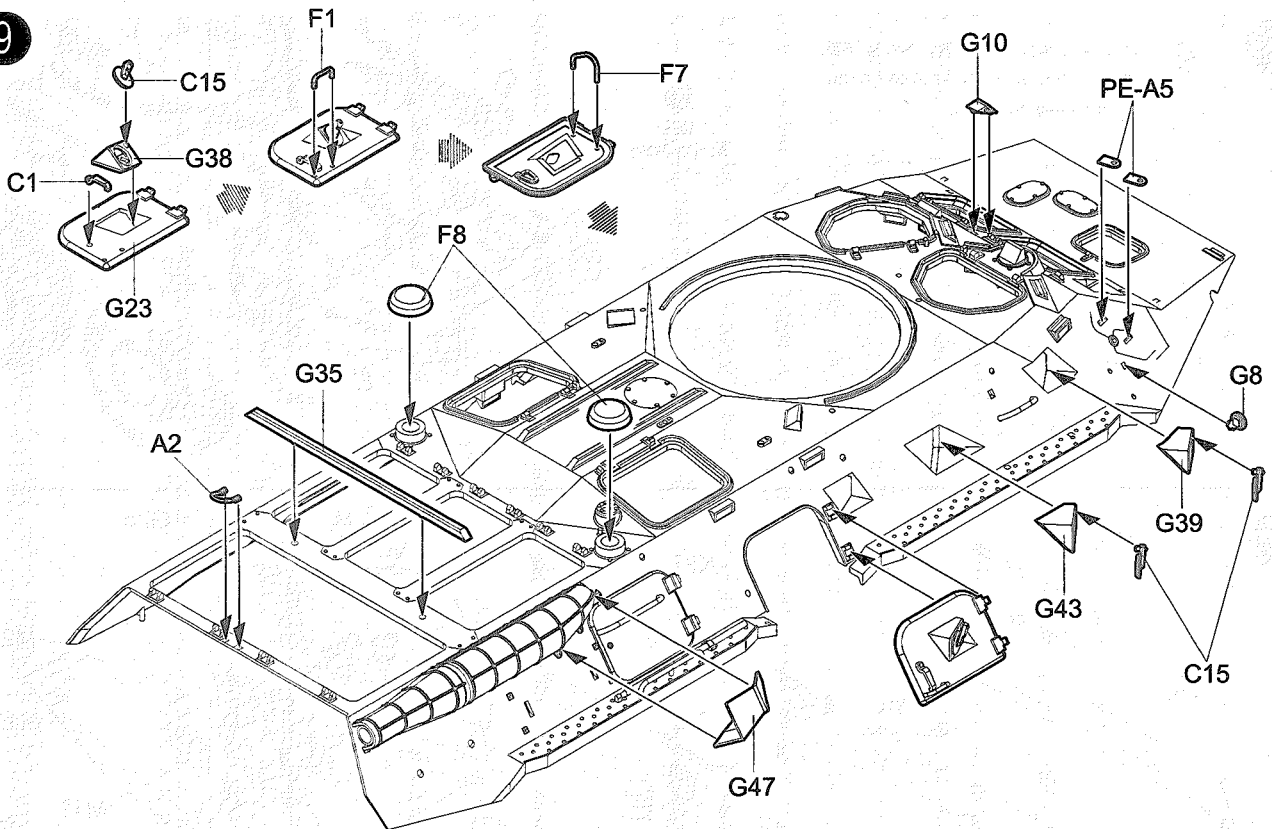
钻孔
Make hole

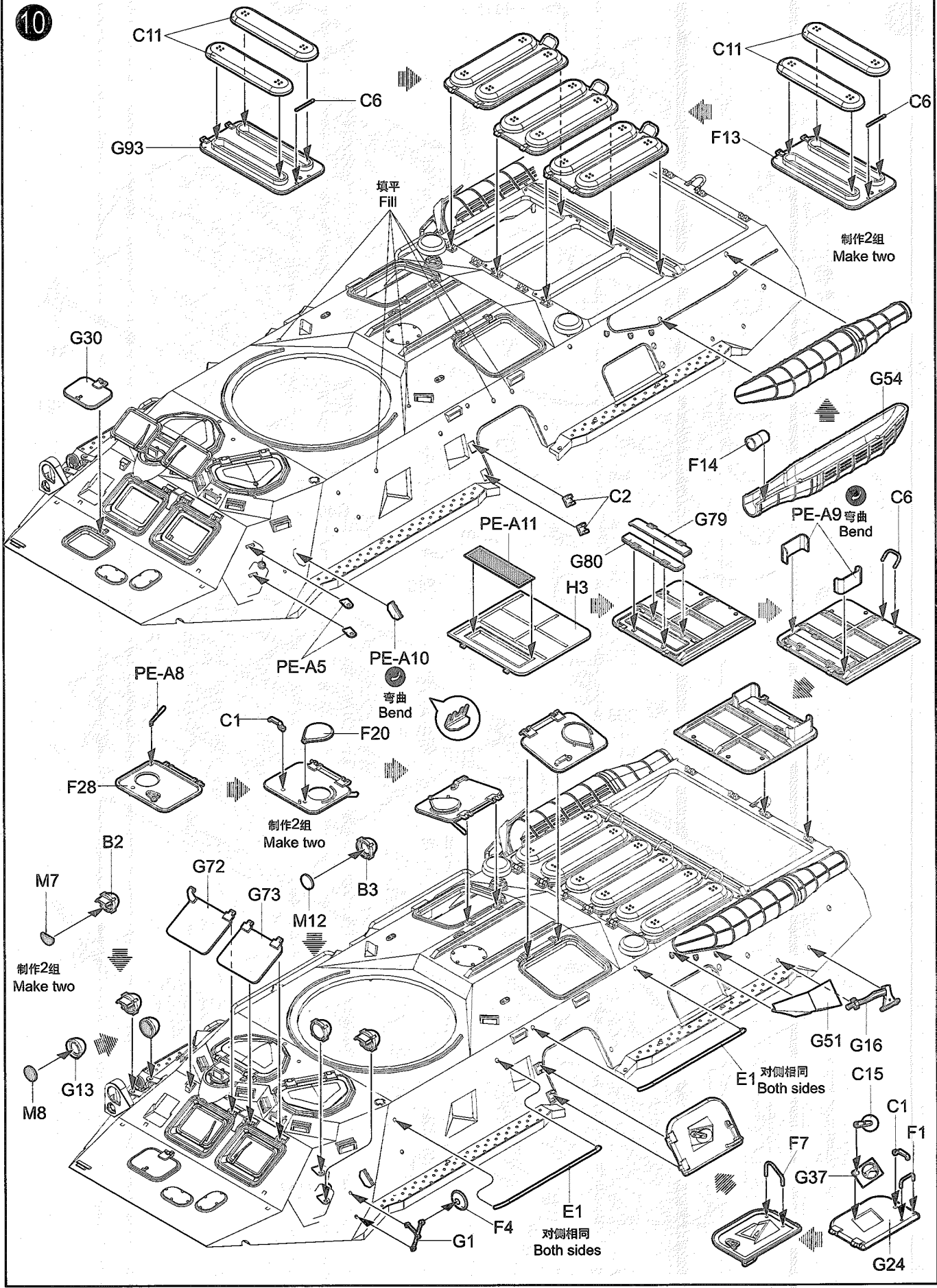


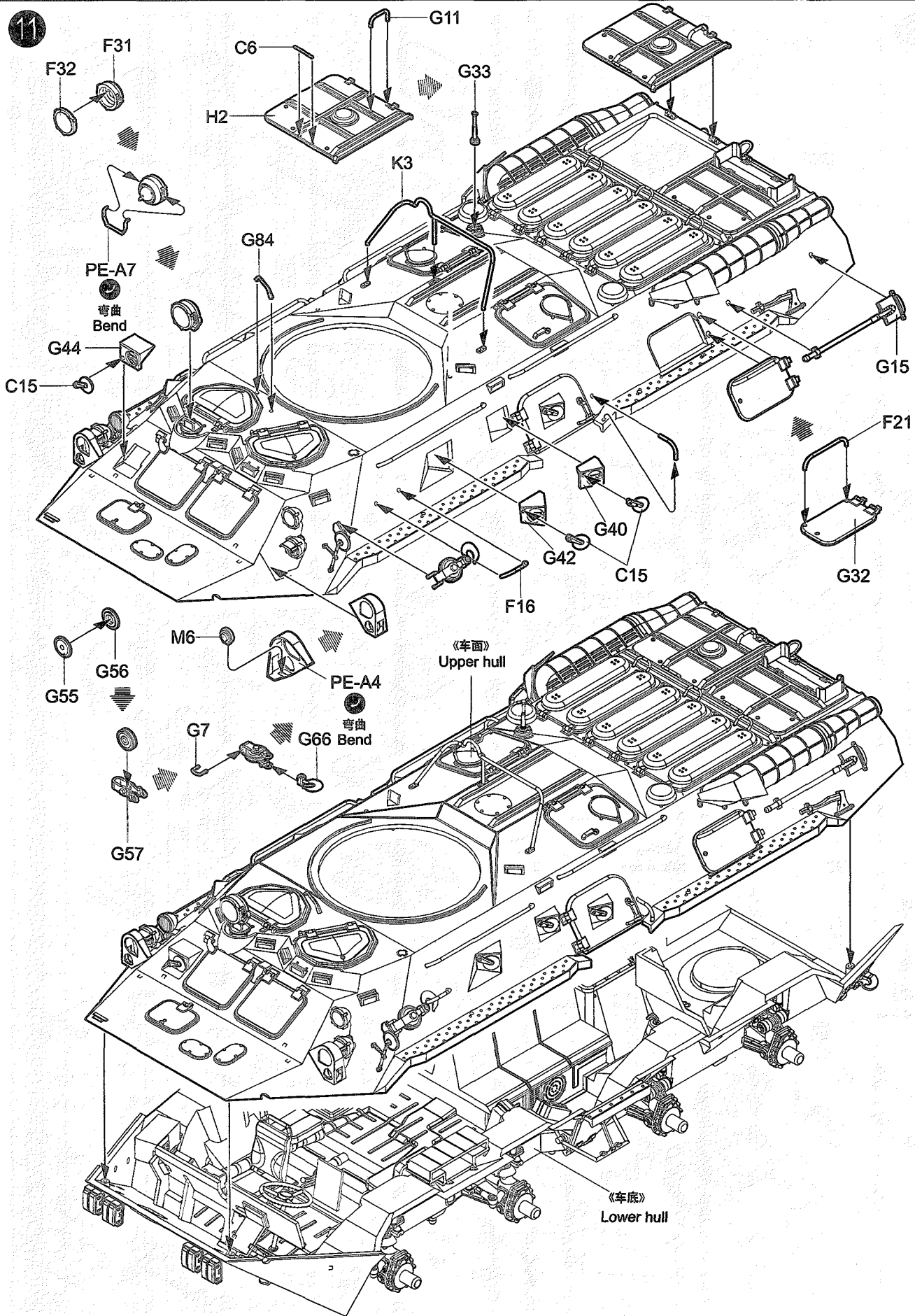
8



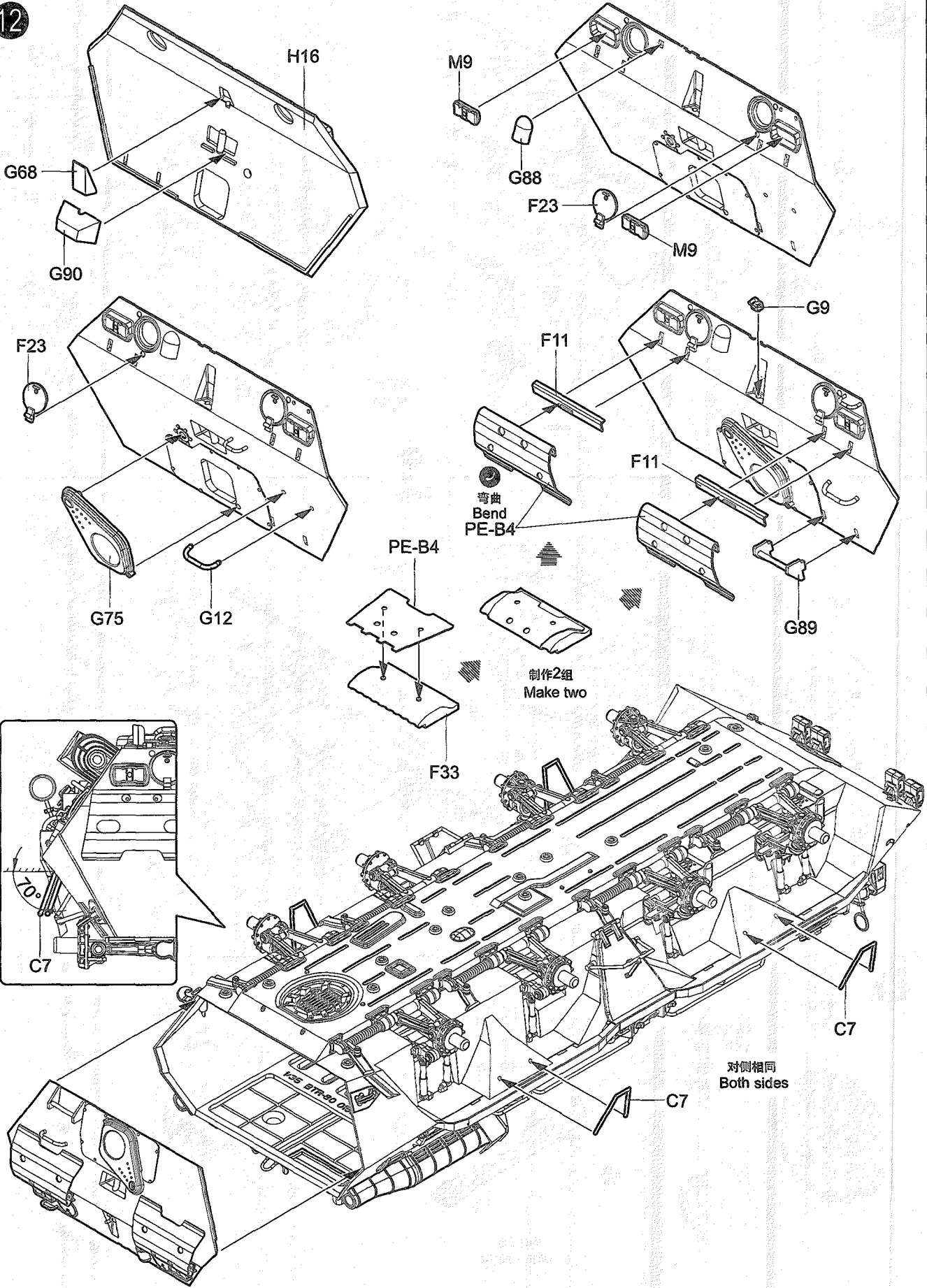
9



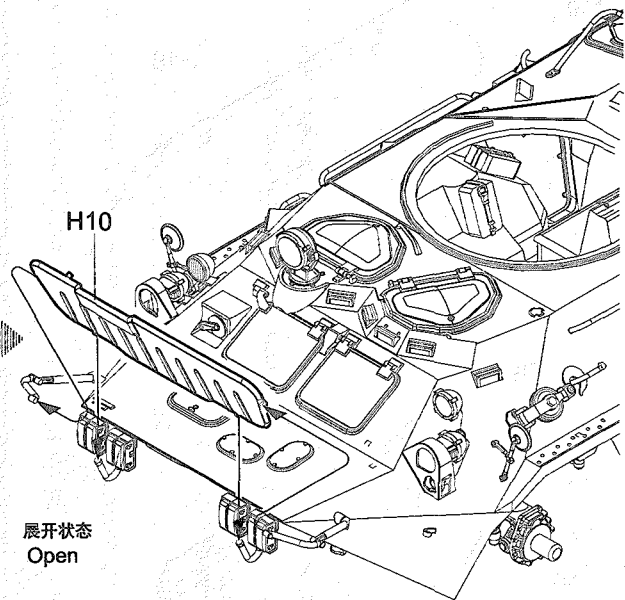
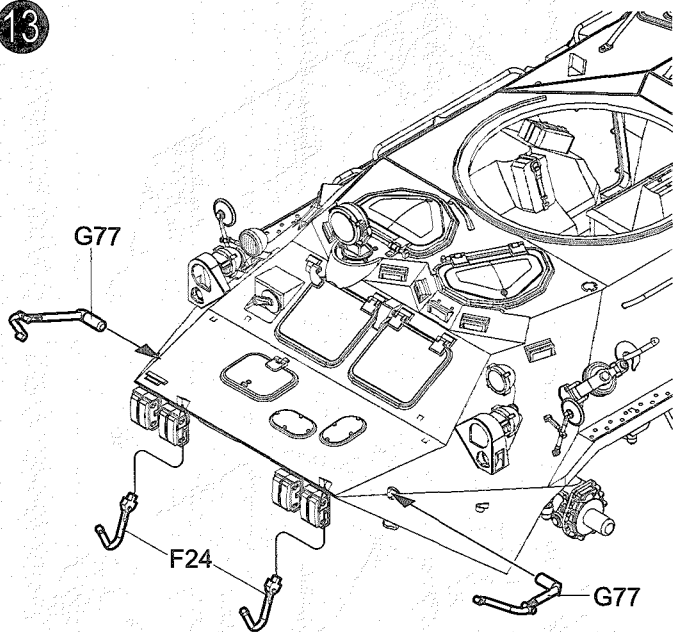




12



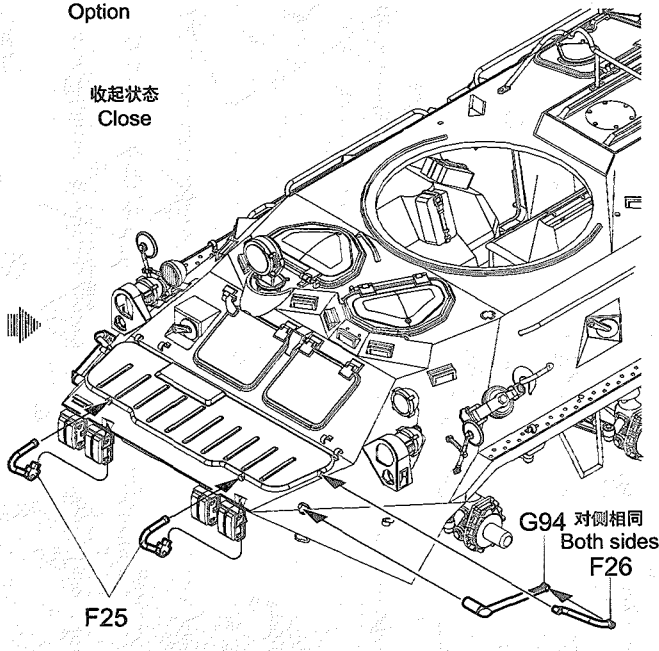
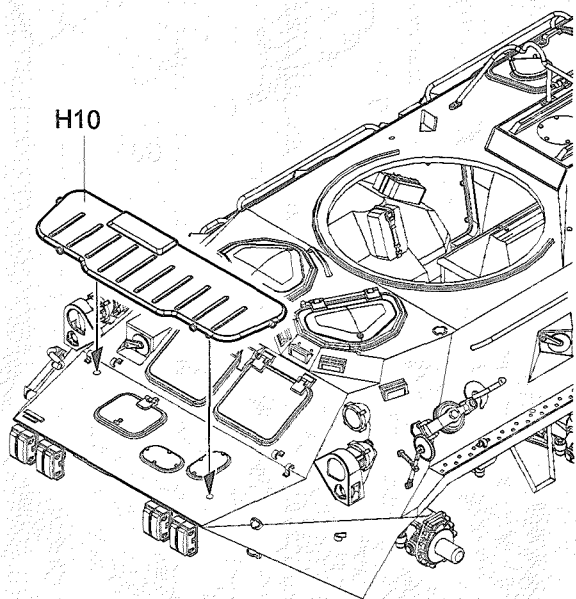
13



展开状态
Open

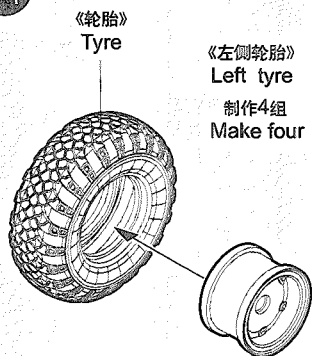
选择
Option

收起状态
Close



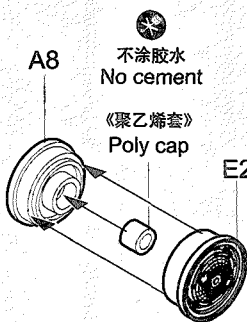
G94 对侧相同
Both sides
F26

14



《轮胎》
Tyre

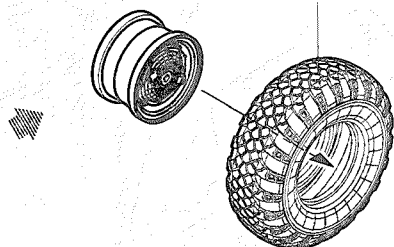
《左侧轮胎》
Left tyre
制作4组
Make four



A8 不涂胶水
No cement
《聚乙烯套》
Poly cap
E2

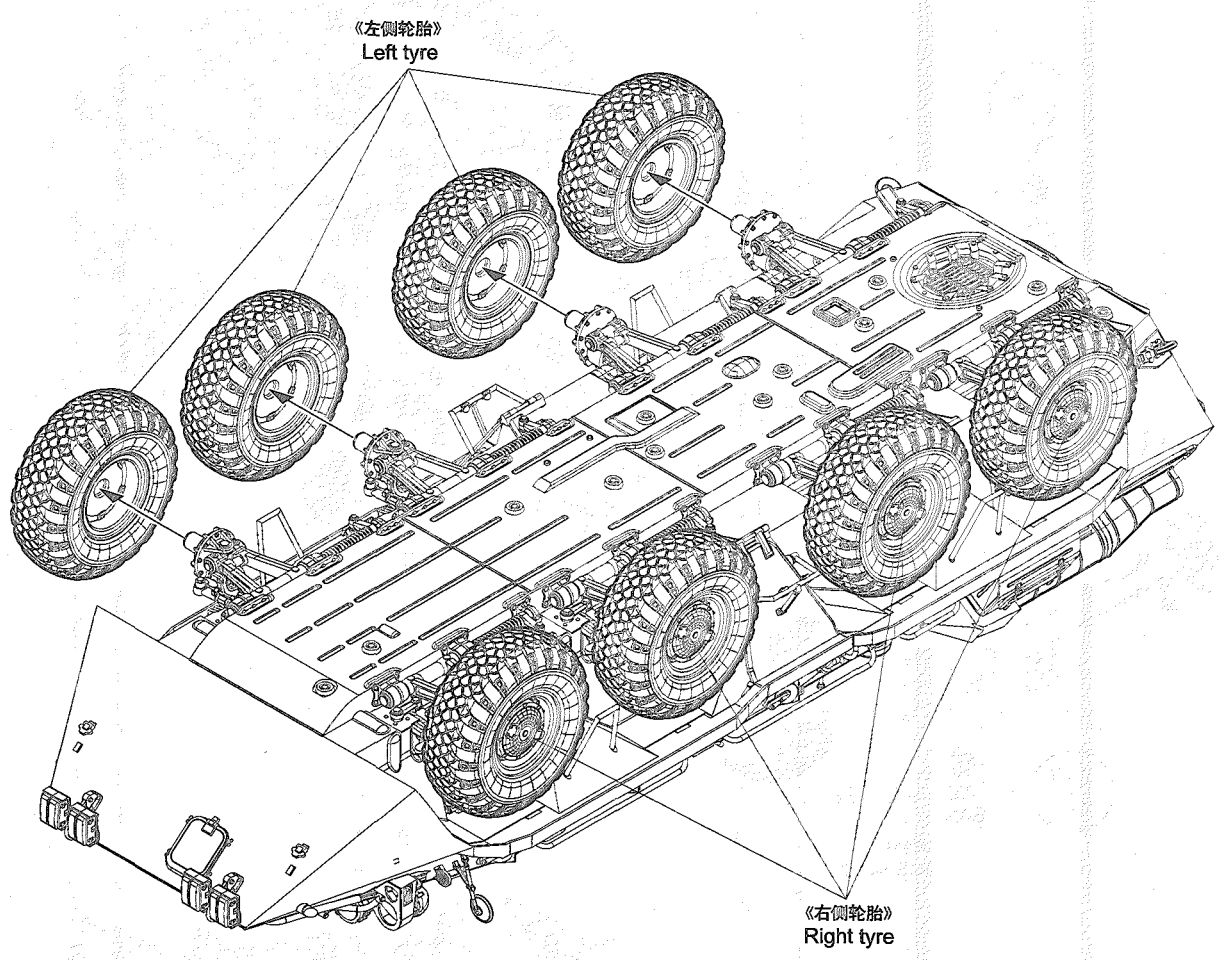
制作8组
Make eight

《右侧轮胎》
Right tyre
制作4组
Make four

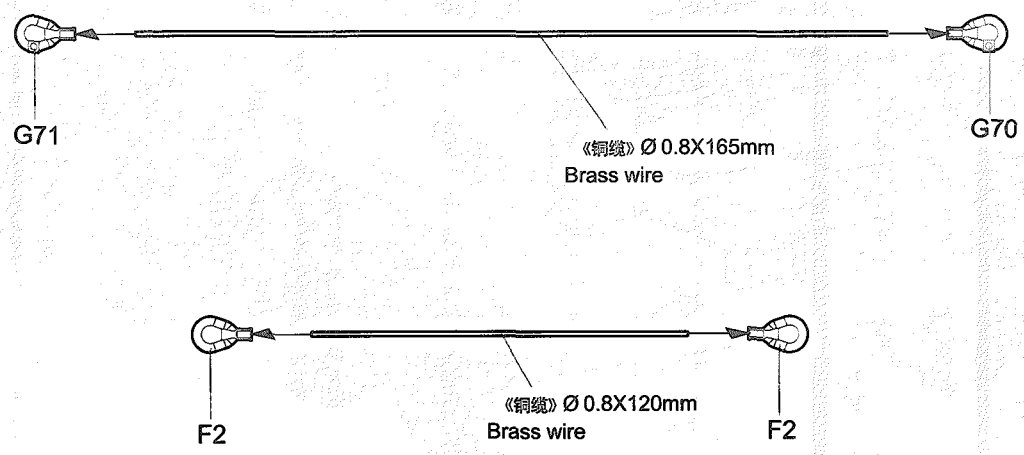


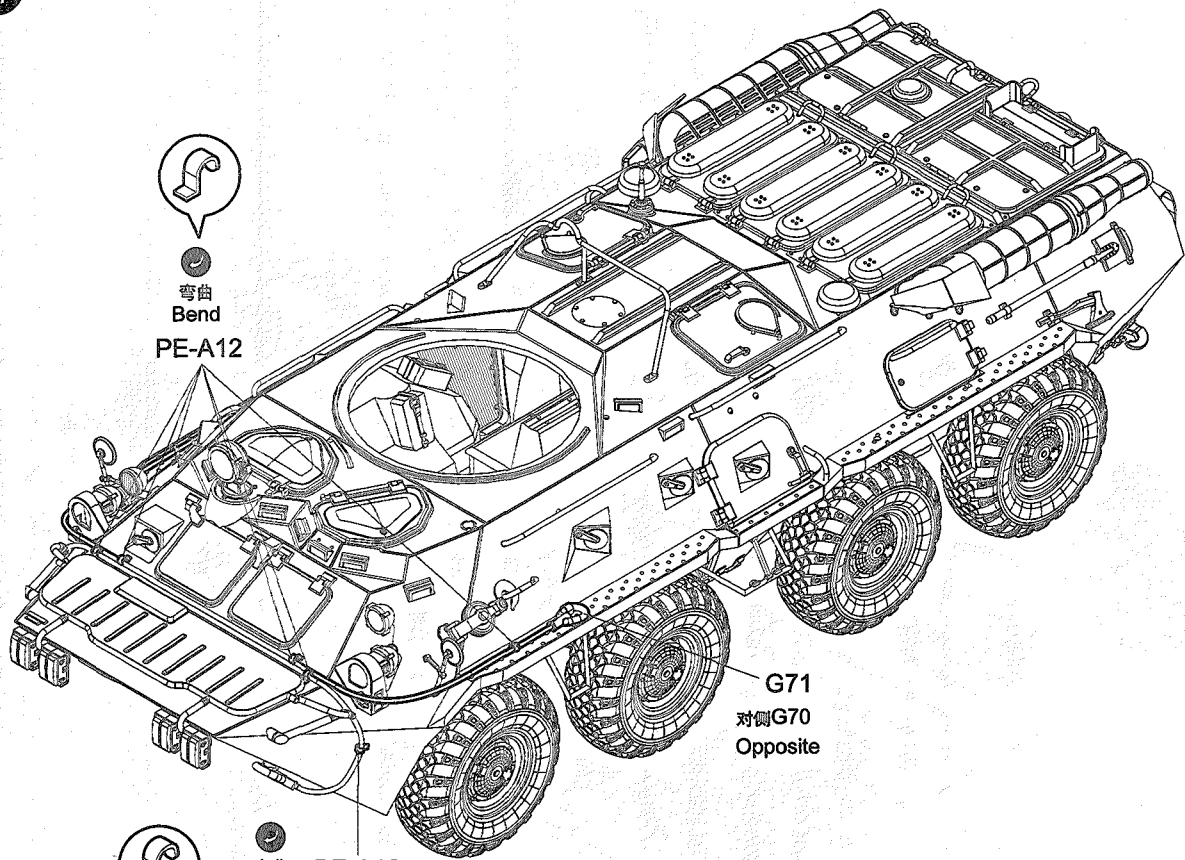
《轮胎》
Tyre

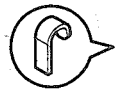
15

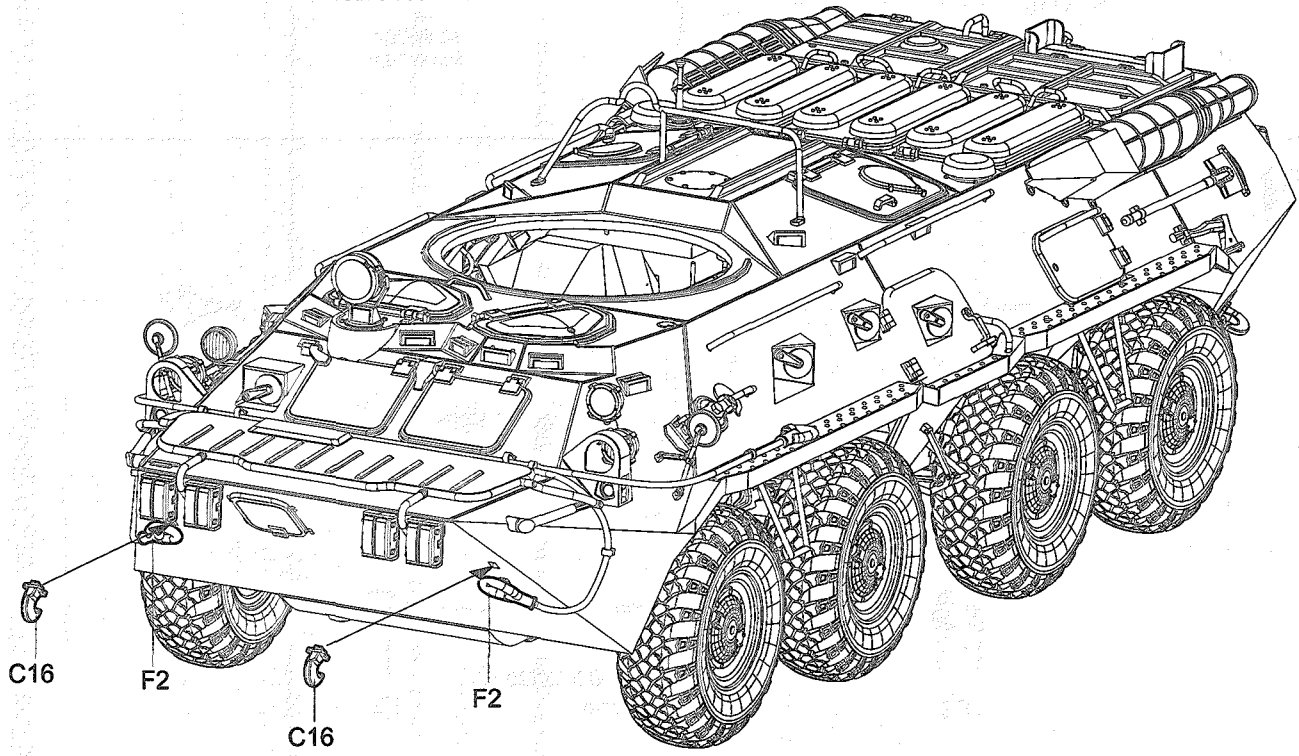


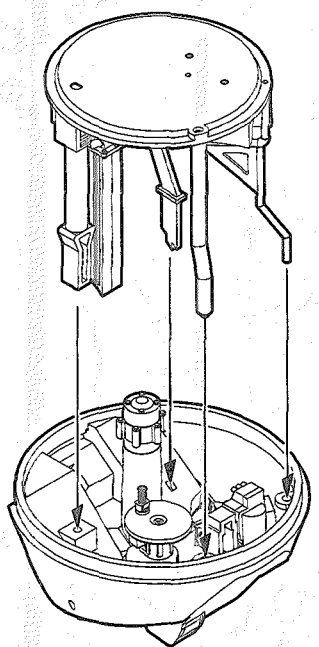
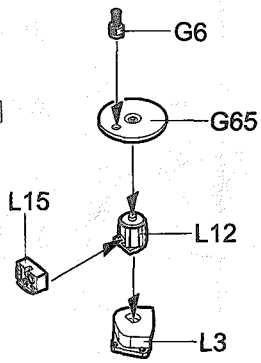
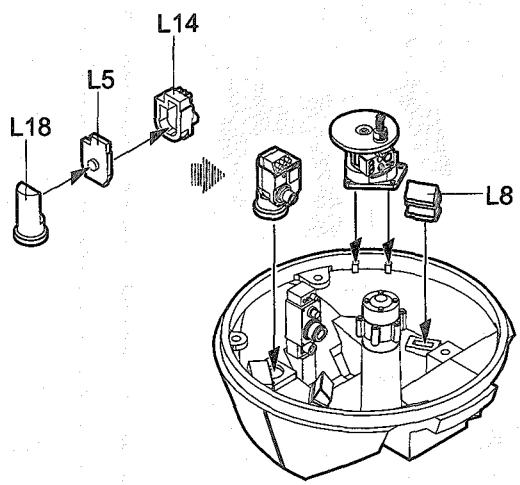
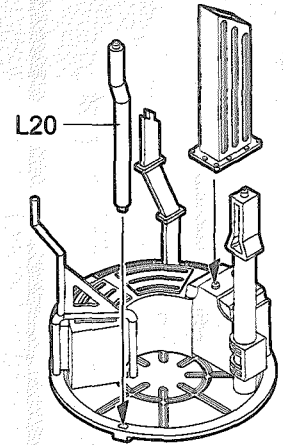
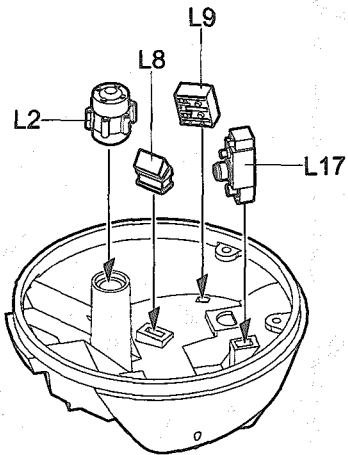
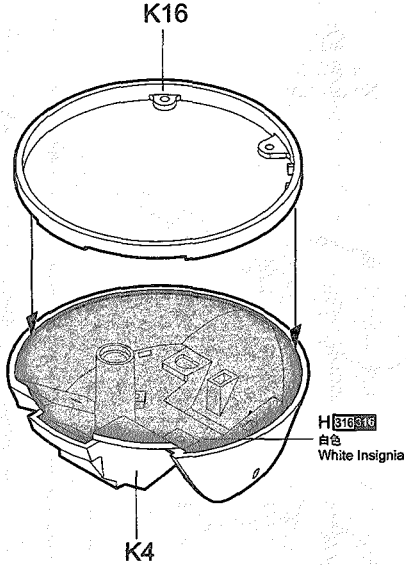
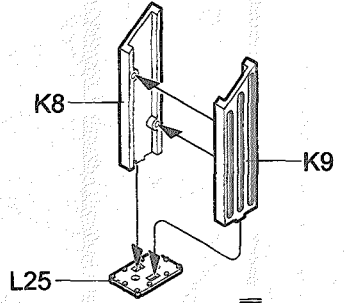
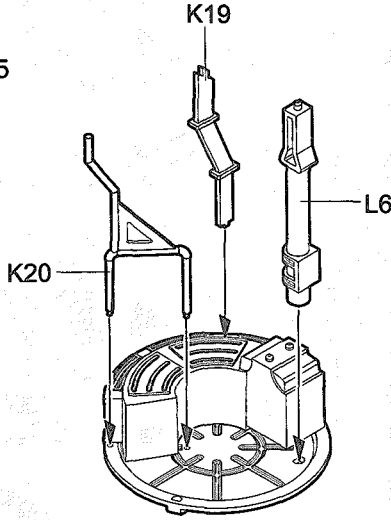
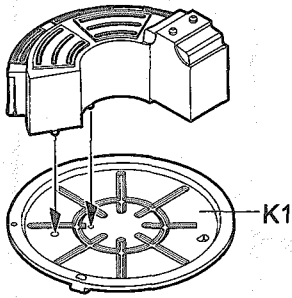
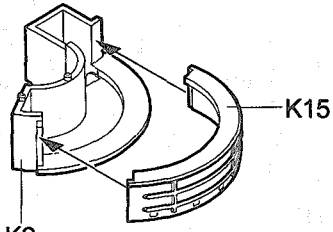
16



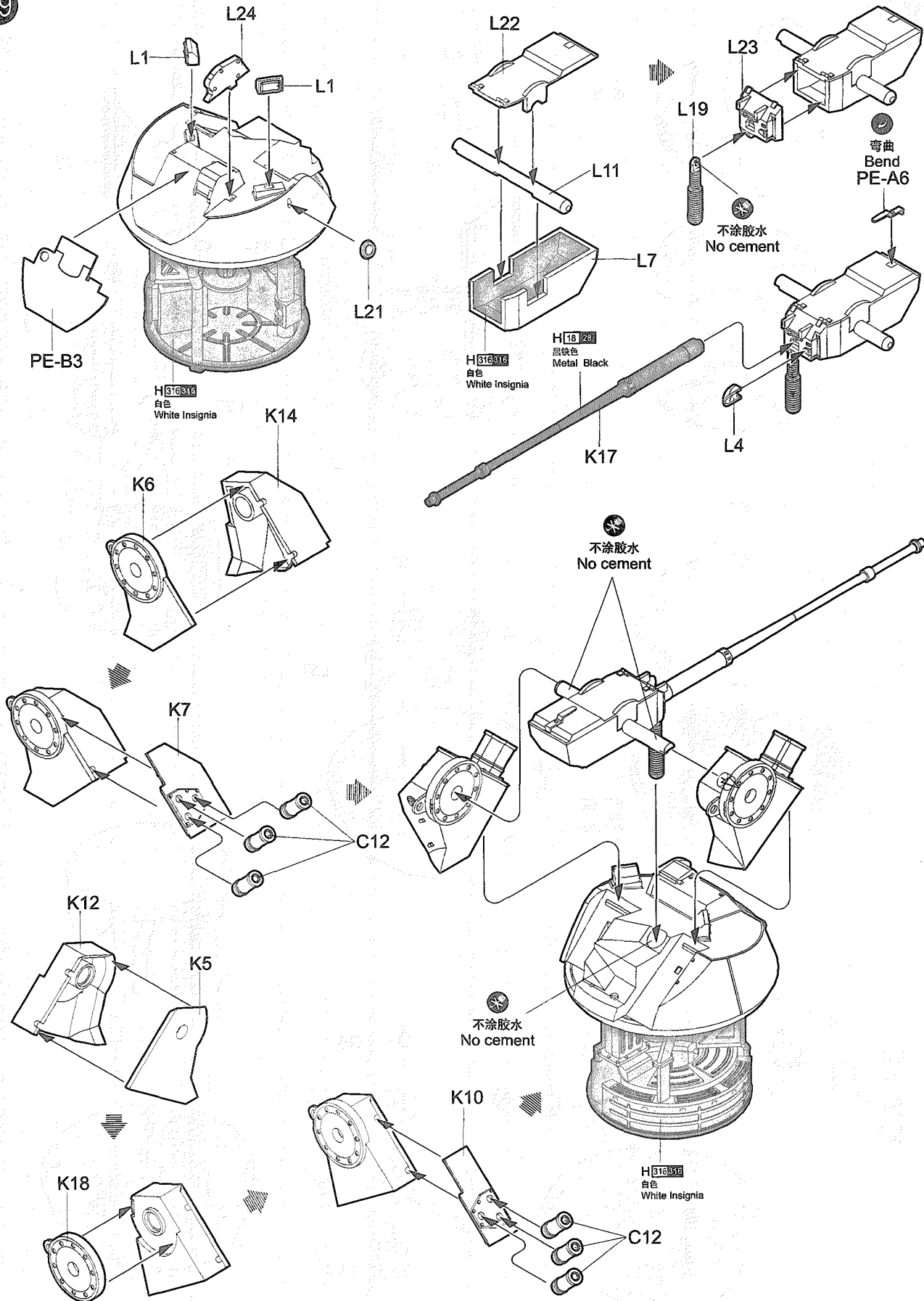



 弯曲 PE-A12
 Bend PE-A12
 对侧相同
 Both sides

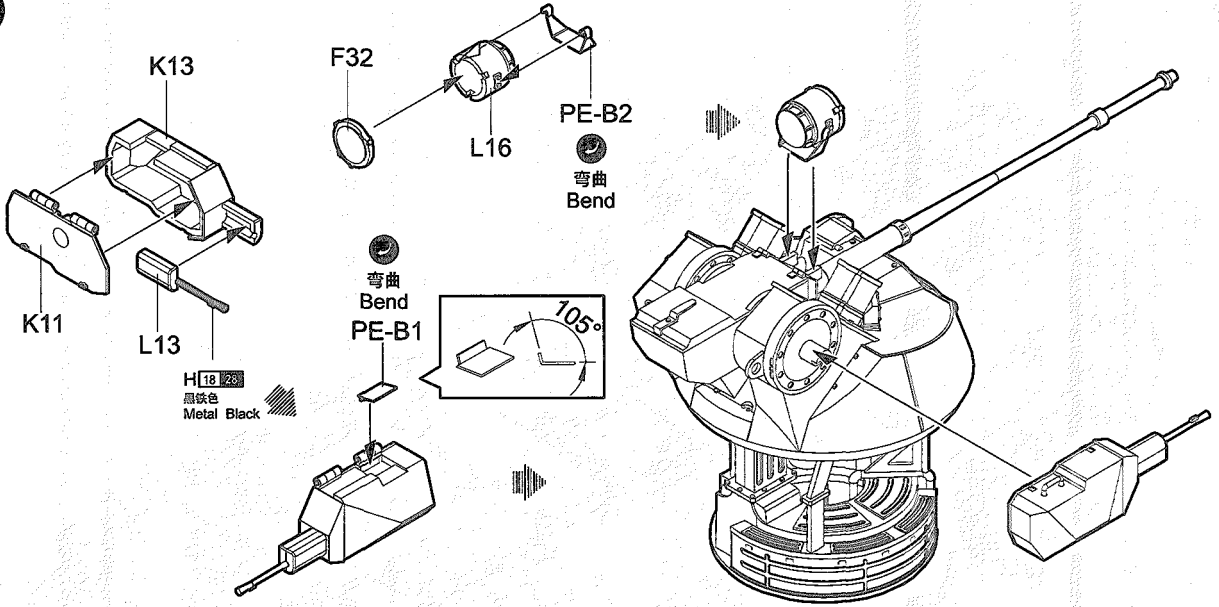




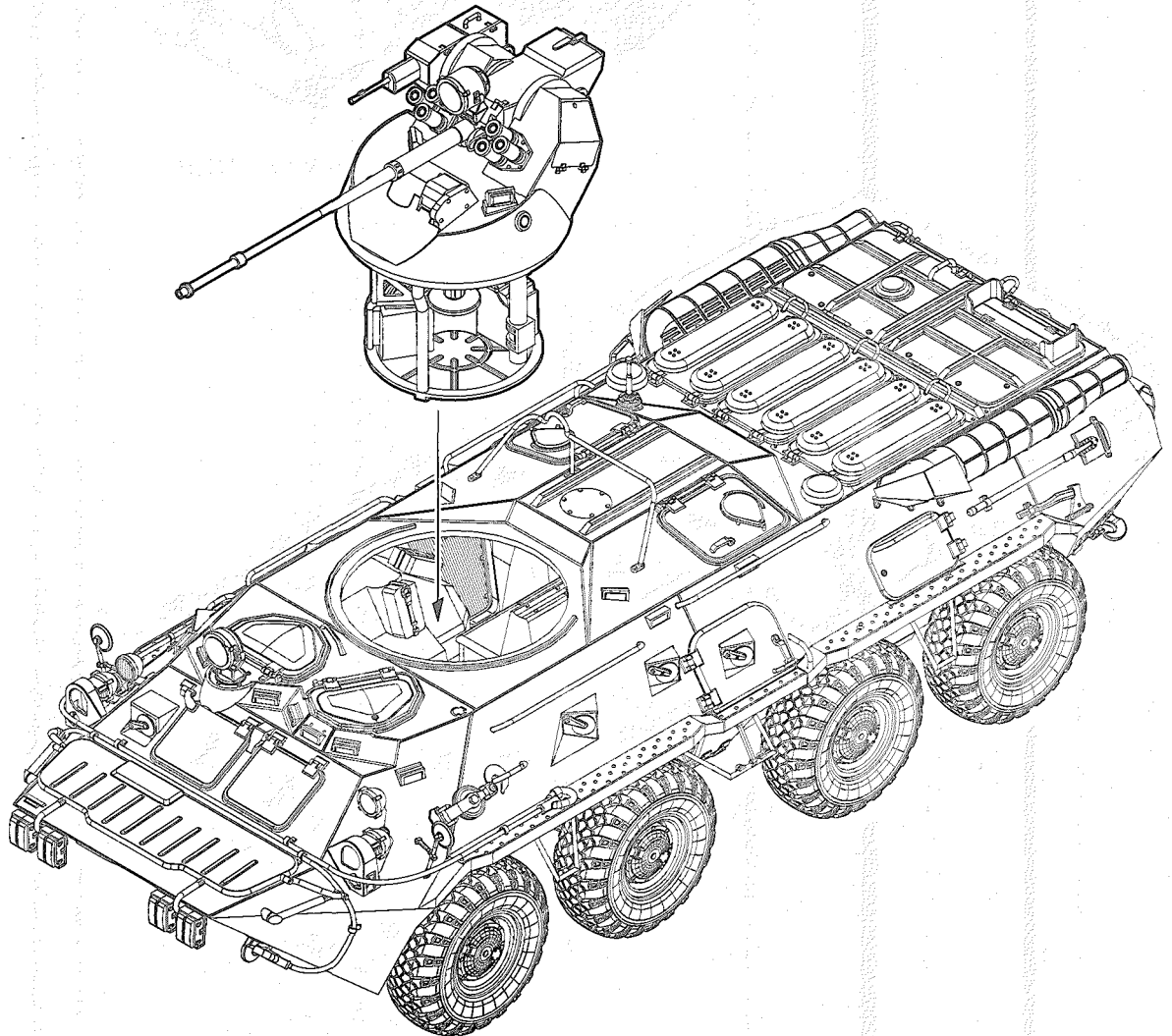
H 376816
白色
White Insignia

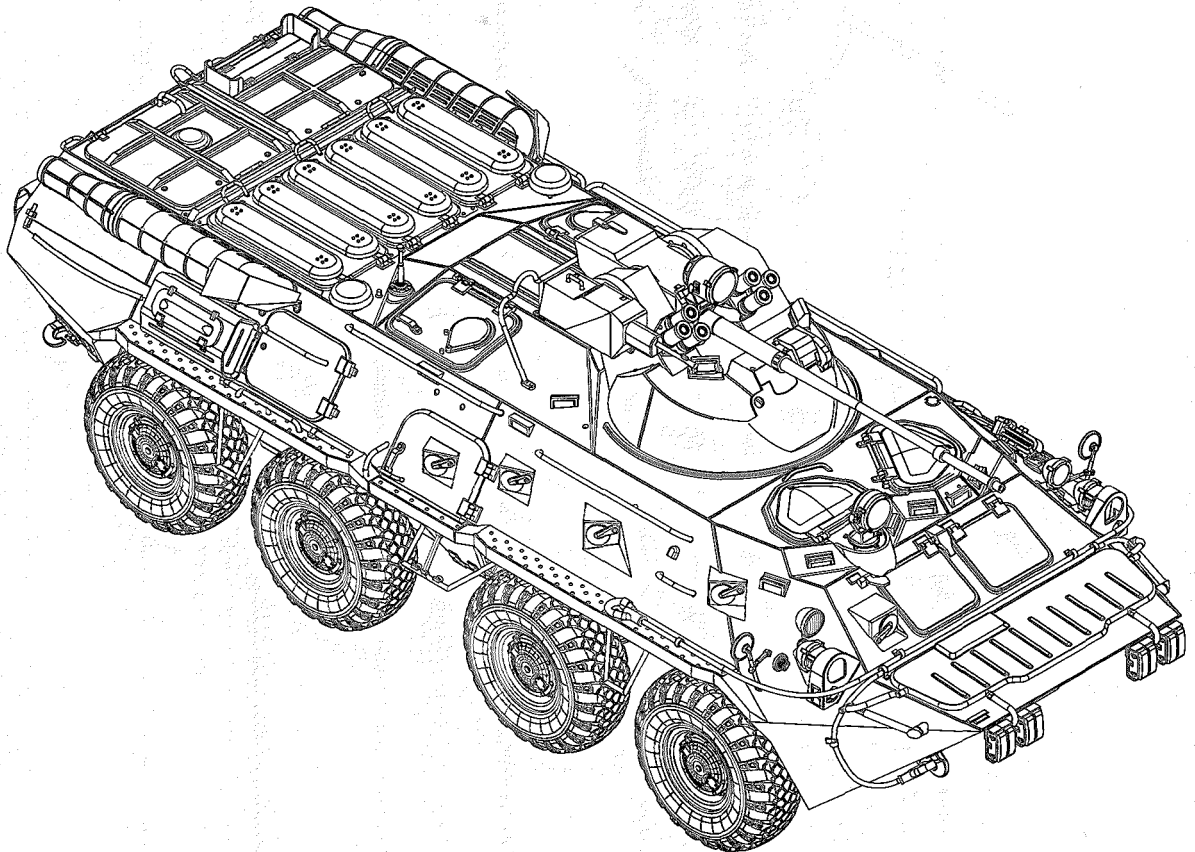
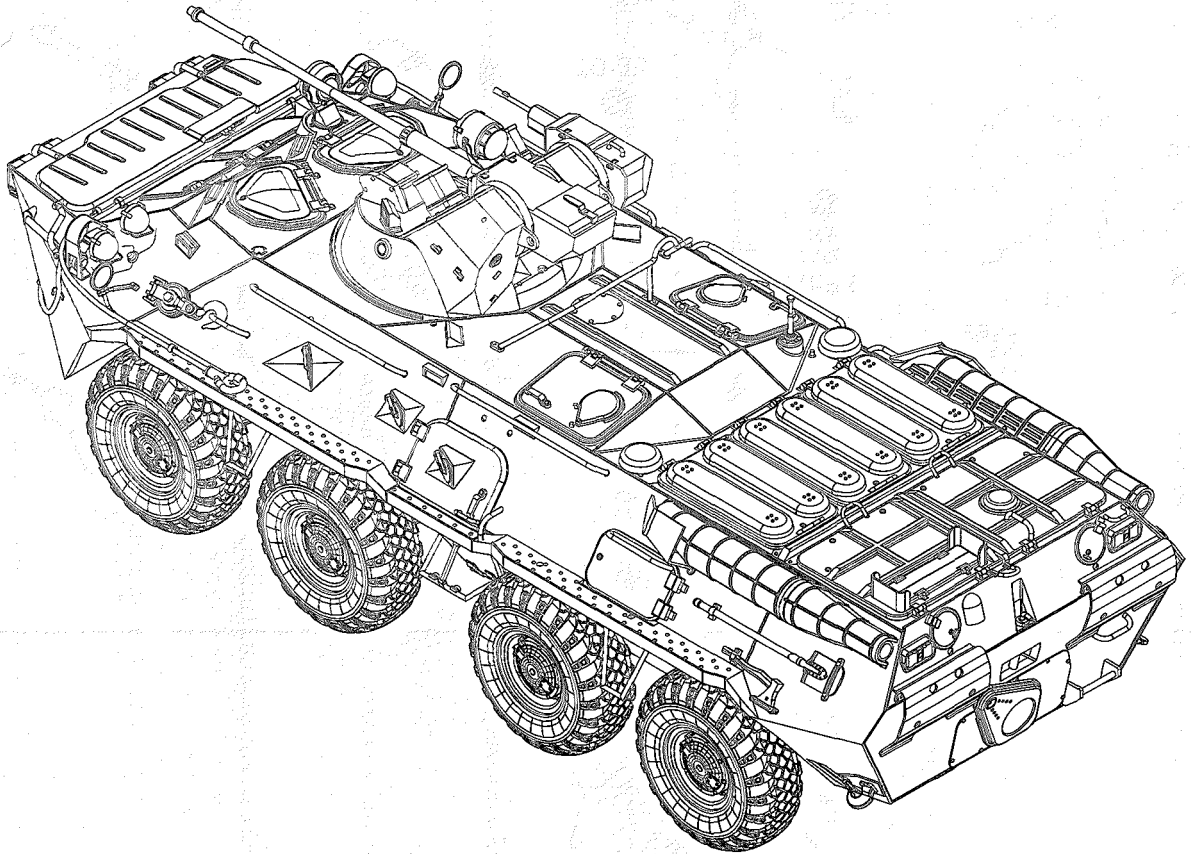


20



21

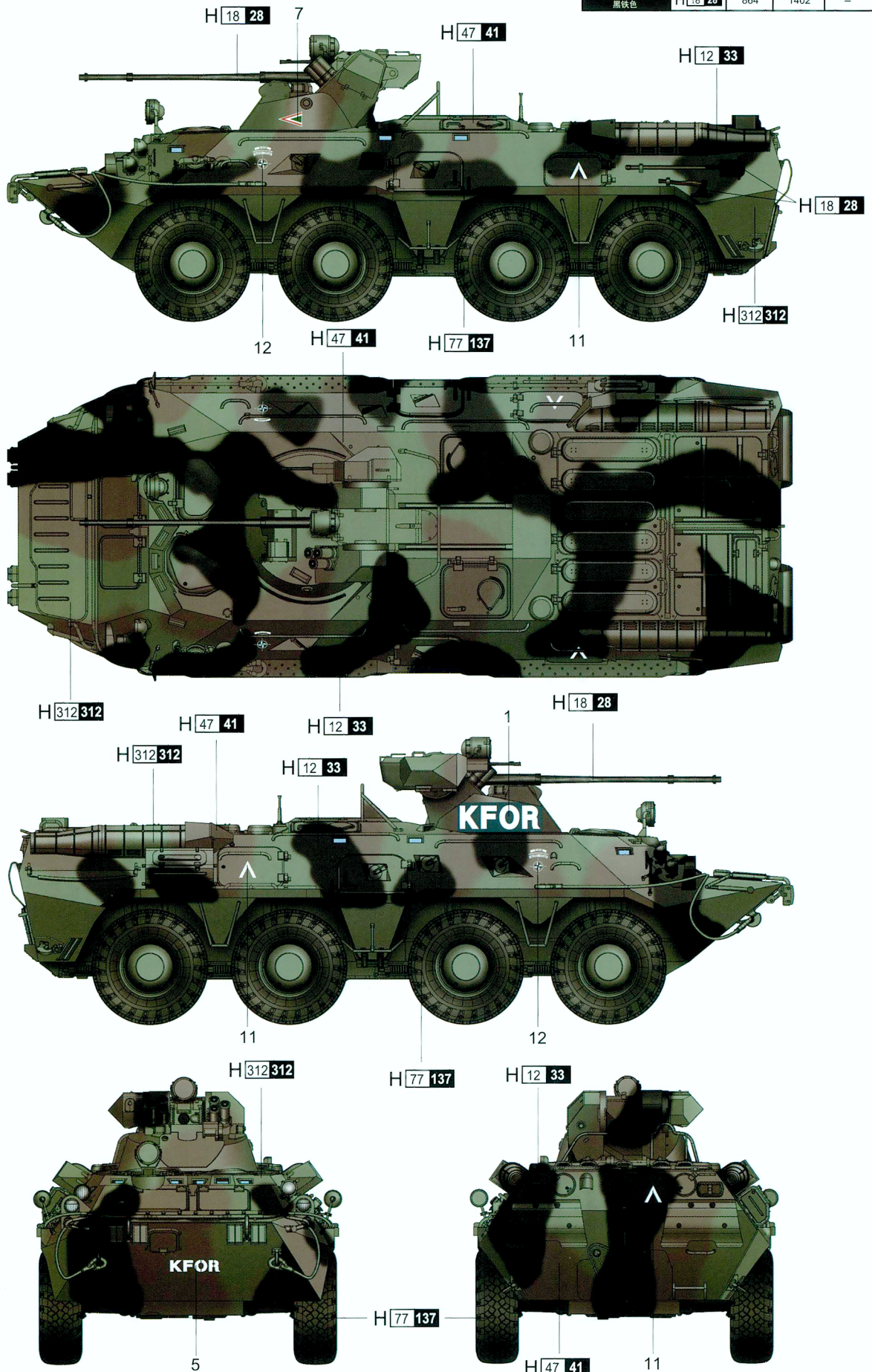




涂装同标贴指示 Painting & Marking guide

PAINT REFERENCE COLOUR					
Color	Mr.Hobby	Vallejo	Model Master	Tamiya	Humbrol
Medium Grey Green 绿色	H 312 312	-	1716	-	A124
Red Brown 红棕色	H 47 41	984	-	XF64	A103
Flat black 消光黑	H 12 33	950	1749	XF1	A46
Metal Black 黑铁色	H 18 28	864	1402	-	-

A



H AQUEOUS HOBBY COLOR Mr. COLOR

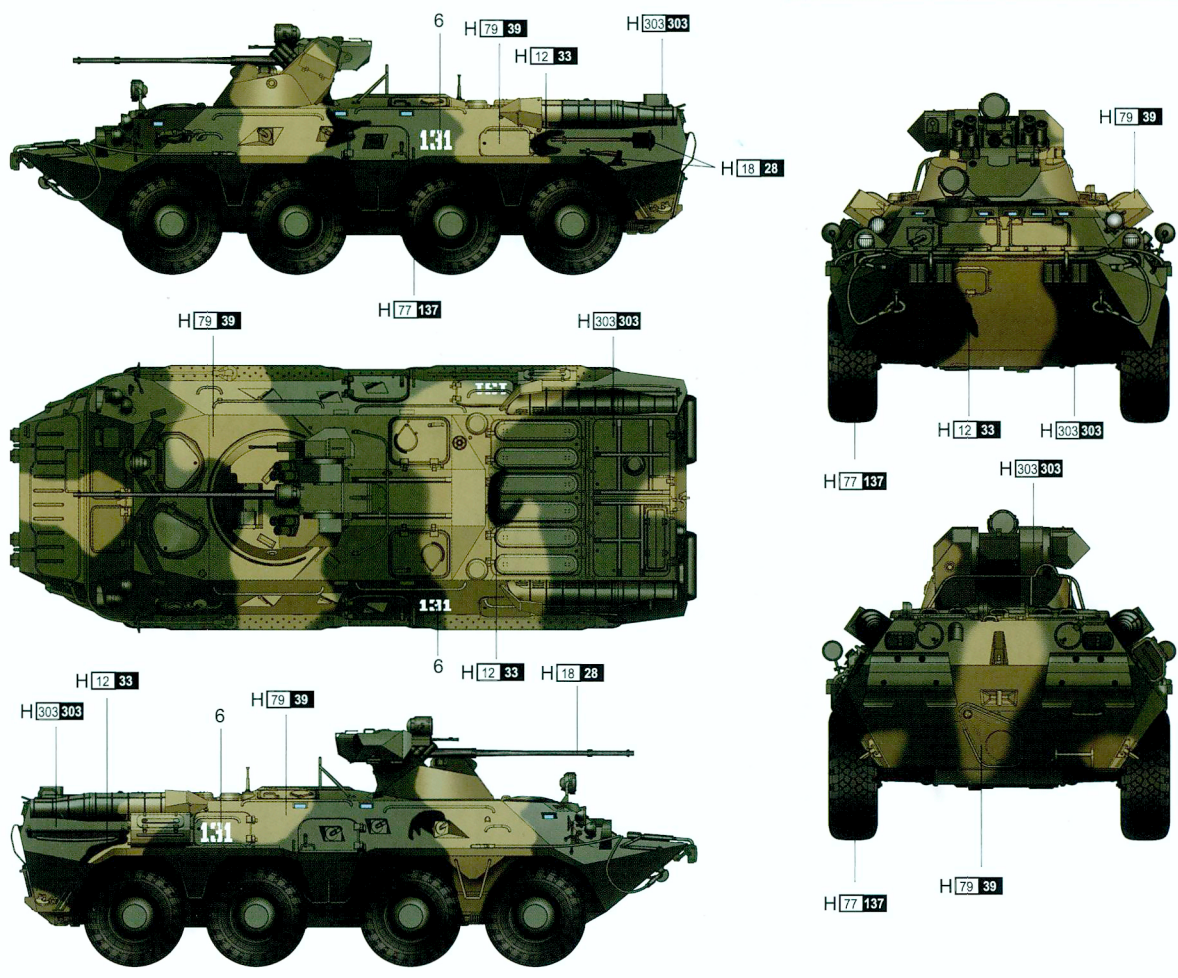
涂装同标贴指示

Painting & Marking guide

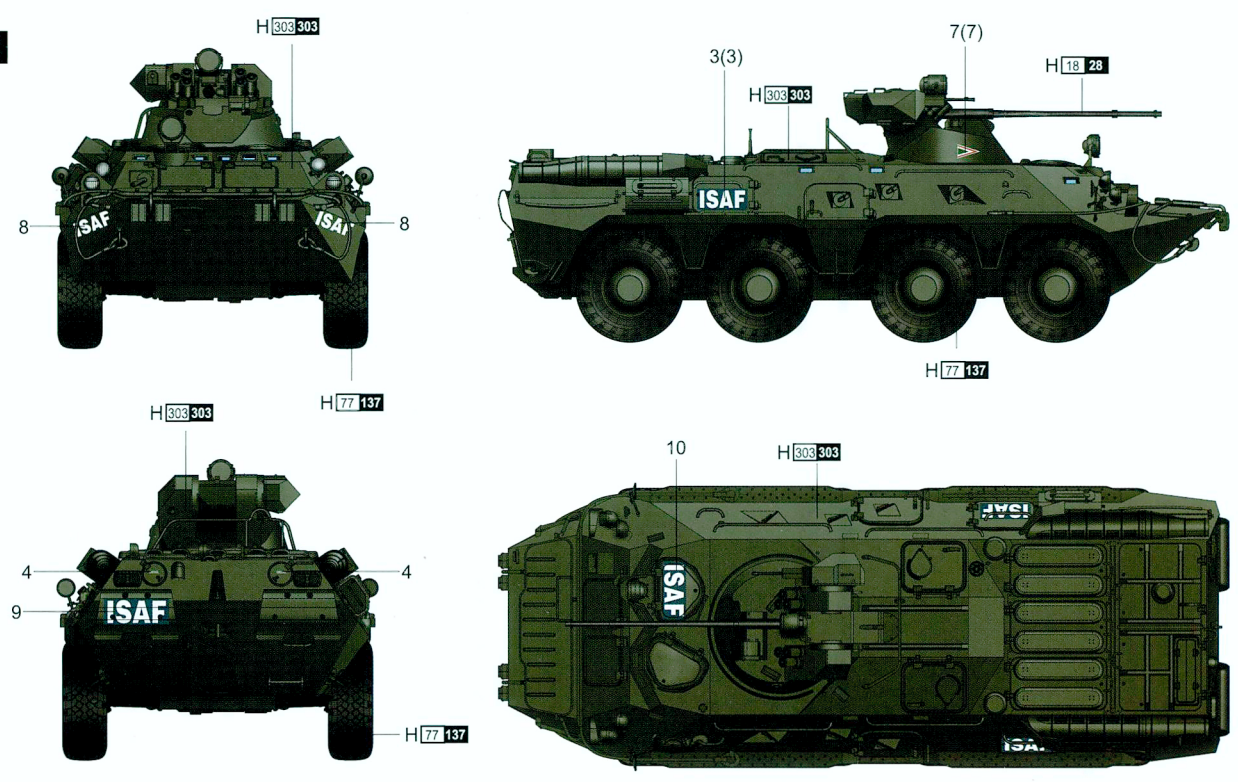
PAINT REFERENCE COLOUR

Color	Mr.Hobby	Vallejo	Model Master	Tamiya	Humbrol
Tire Black 胎黑色	H 77 137	-	-	-	-
Sandy Brown 砂黄色	H 79 39	824	-	XF59	93
Light Green 浅绿	H 303 303	-	1713	XF20	117

B



C



H AQUEOUS HOBBY COLOR Mr. COLOR