

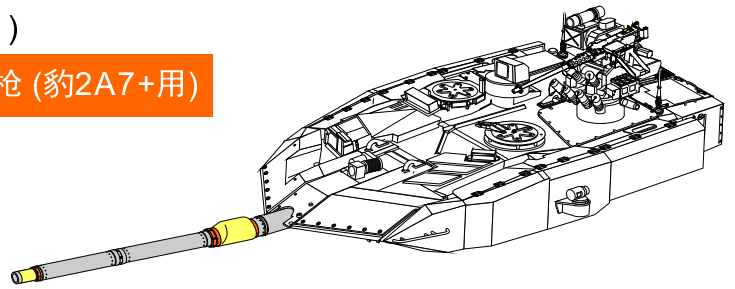
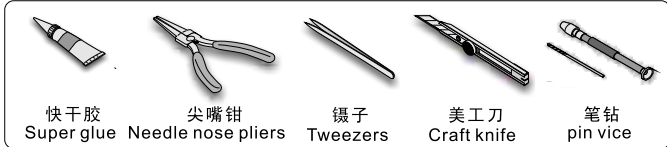
1/35 MILITARY MINIATURE VEHICLE UPGRADE SERIES VBS0537

**Modern German Rh-M-120 L/55 120mm
Gun Barrel w/machine gun(Leopard2A7+)**

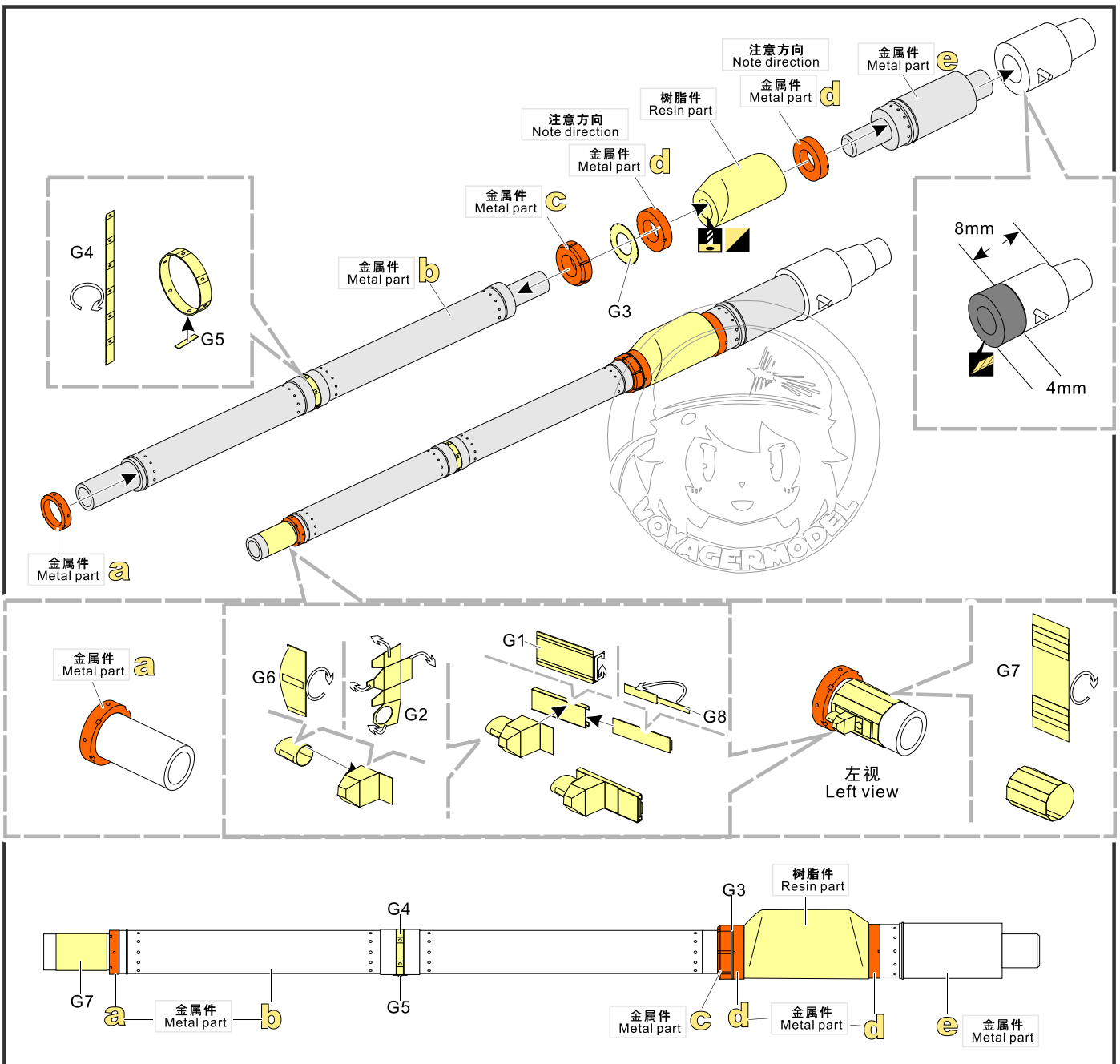
现代德国Rh-M-120 L/55 120mm炮管及机枪(豹2A7+用)

[FOR MENG TS-042]

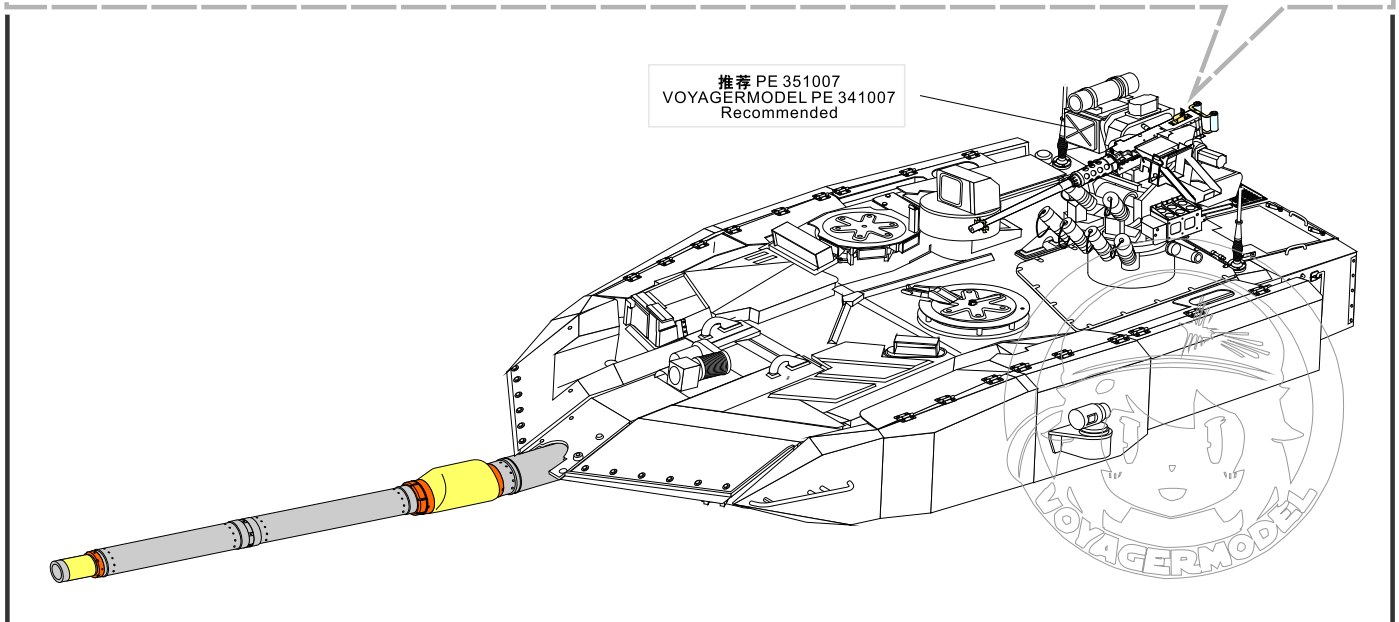
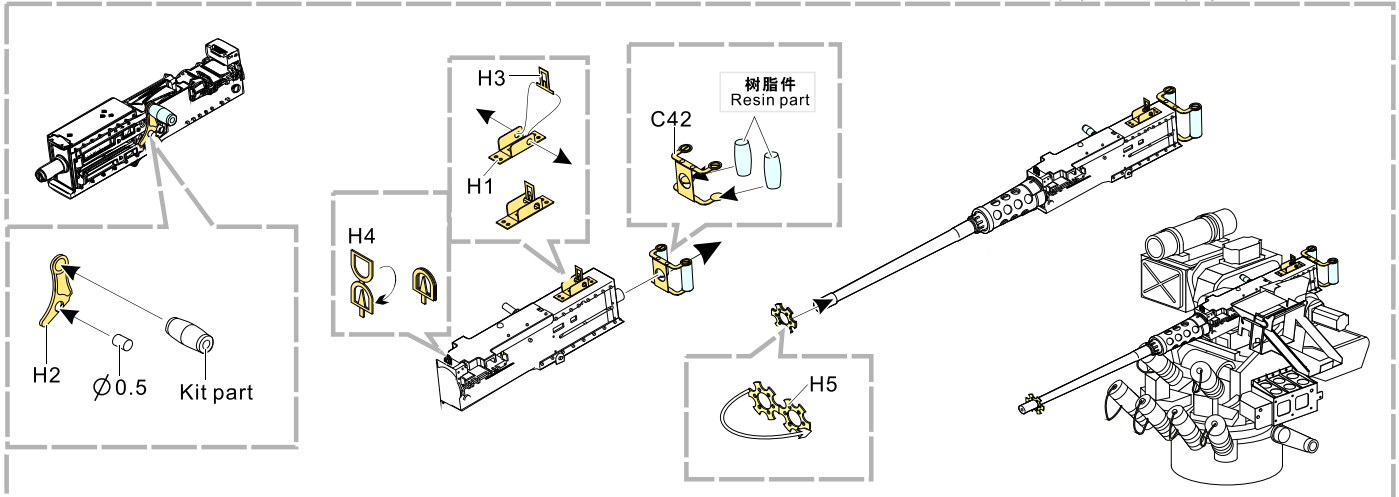
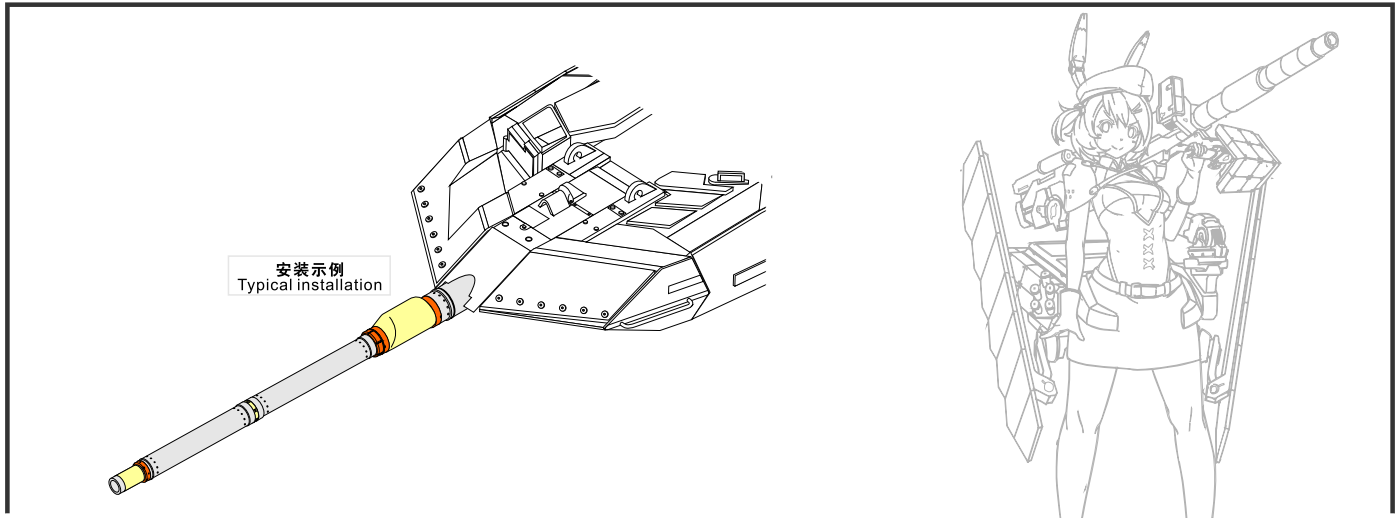
推荐使用工具 RECOMMENDED TOOLS



- 安装 install
- 折叠 bend
- A1** 改造件零件编号 PE/resin part number
- B12** 原零件编号 kit part number
- C22** 被替换的原零件编号 replaced kit part number
- 另一侧相同制作 repeat on opposite side



1/35 MILITARY MINIATURE VEHICLE UPGRADE SERIES VBS0537



VOYAGERMODEL[®] 无微不至 极尽享受

Recommended item

VBS0199	Modern German Rh-M-120 L/55 120mm Gun Barrel (Leopard2A6used)
VBS0196	Modern German Rh-M-120 L/44 120mm Gun Barrel (Leopard2A4used)
VBS0200	Modern German Rh-M-120 L/44 120mm Gun Barrel (Leopard2A5used)
VBS0530	Modern German Rh-M-120 L/55 120mm Gun Barrel w/machine gun(Leopard2 Revolution2)
VBS0513	Modern German Rh-M-120 L/55 120mm Gun Barrel (Leopard2A7 used)

VOYAGERMODEL[®] 无微不至 极尽享受

Recommended item

PE 35775	Modern German Leopard 2A5 VER.2.0 Basic
PE 35776	Modern German Leopard 2A6 Basic
PE 35774	Modern German Leopard 2A4 Basic
PE 35859	Modern German Leopard 2A7 Basic
PE 35890	Modern German Leopard2A4 Revolution 1 MBT Basic
PE 35891	Modern German Leopard2 Revolution 2 MBT Basic