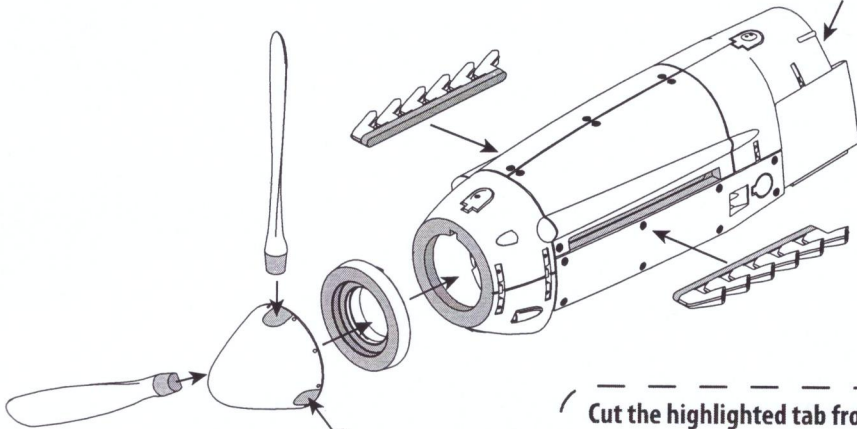
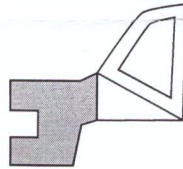


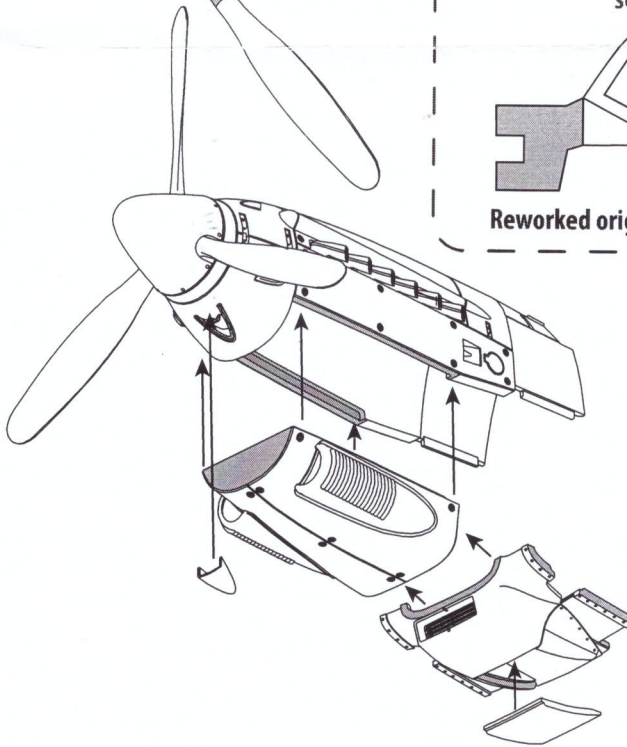
Glue the original instrument panel
to the resin part



Cut the highlighted tab from cockpit
screen

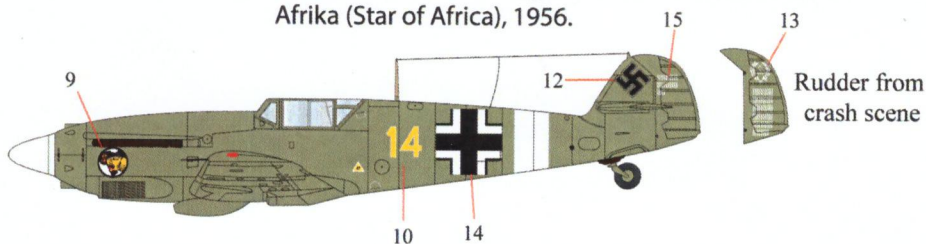


Reworked original part (C3/C4)

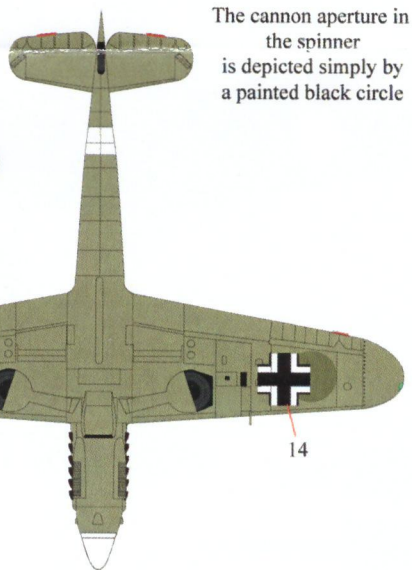
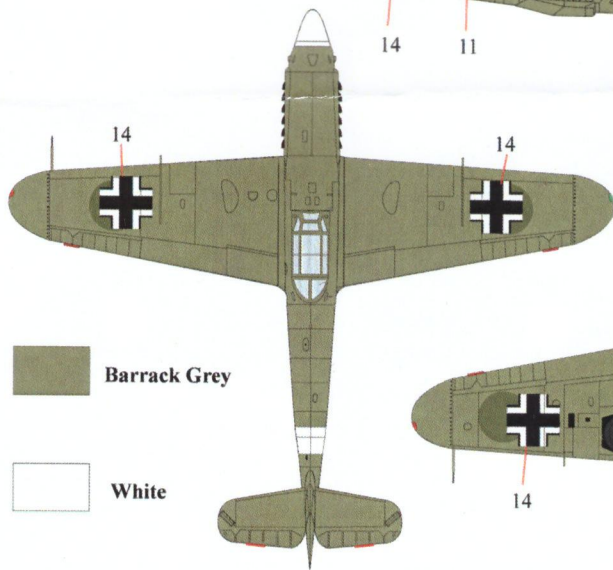
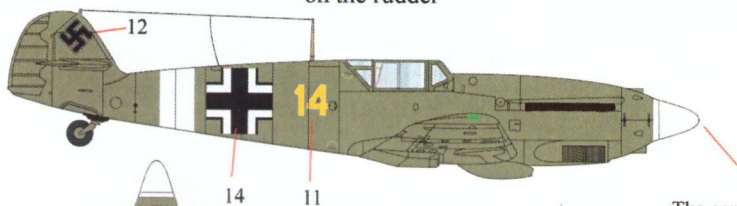


PAINTING GUIDE of HA-1112 K1L Tripala

Hispano Aviación HA-1112K.1L Escuela de Caza (Fighter School), Morón A. B. (Sevilla), on detachment to Gando A. B. (Gran Canaria) for the filming of the German movie Der Stern von Afrika (Star of Africa), 1956.



Two 'Yellow 14' machines feature in the filming, one with radio mast and no wing 'fences,' the other with wing 'fences' but no radio mast. The latter has fewer victory bars on the rudder



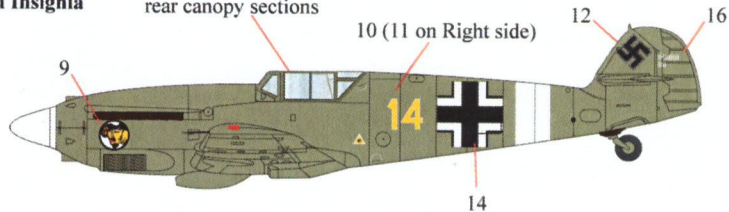
The cannon aperture in the spinner is depicted simply by a painted black circle

 **Barrack Grey**

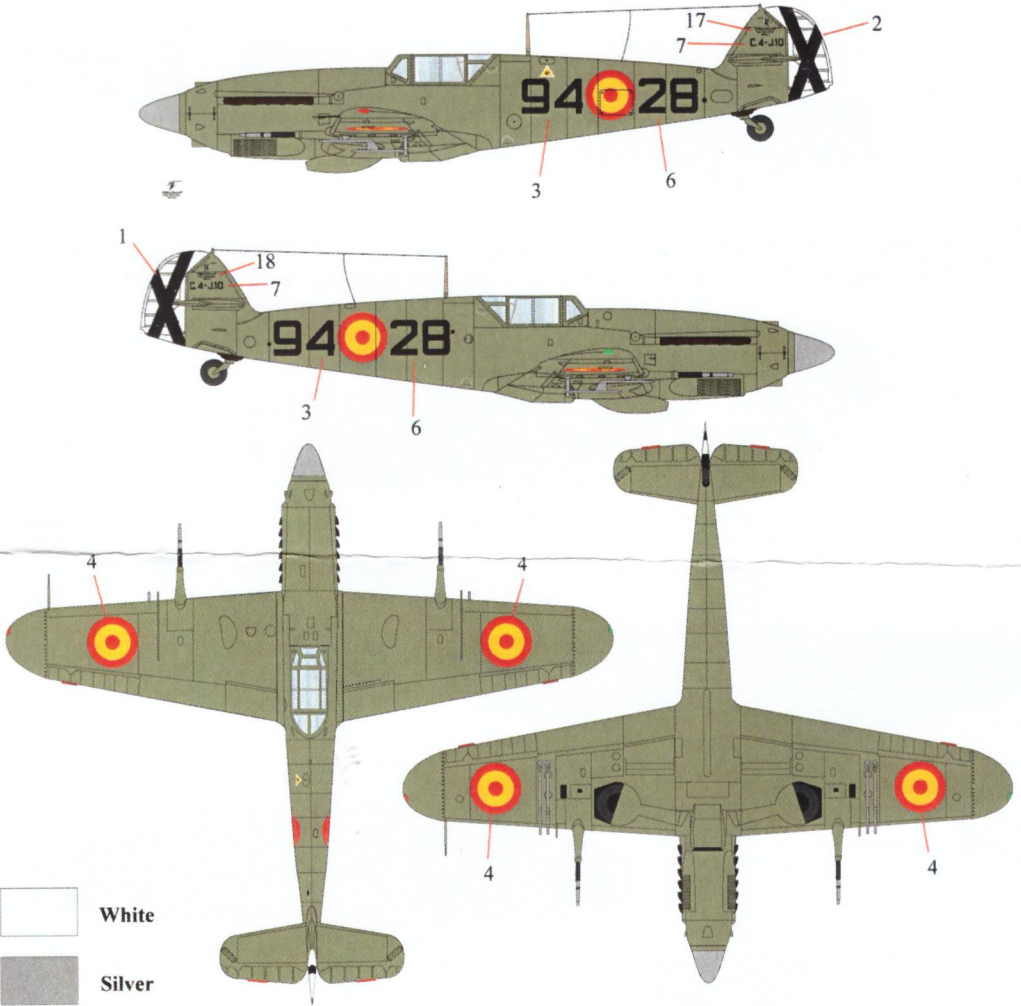
 **White**

 **Over-painted Spanish Insignia**

Fresh paint on mid and rear canopy sections



94-28: Hispano Aviación HA-1112K.1L Escuadrón de Experimentación en Vuelo (Flight Experimentation Squadron), Torrejón de Ardoz A. B. (Madrid), 1957.



94-27: Hispano Aviación HA-1109K.1L.

