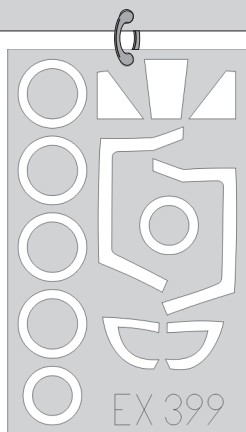


eduard
MASK

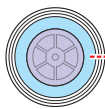
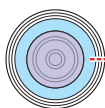
EX 399

Vampire FB.MK.9 1/48

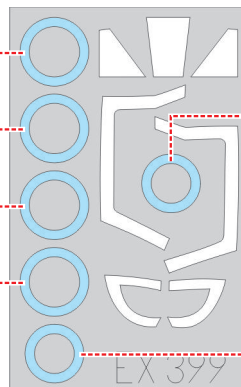
The die-cut mask for accurate canopy frame painting of the
Trumpeter scale 1/48 KIT



2x
A2-23



2x
A2-27



A1-7



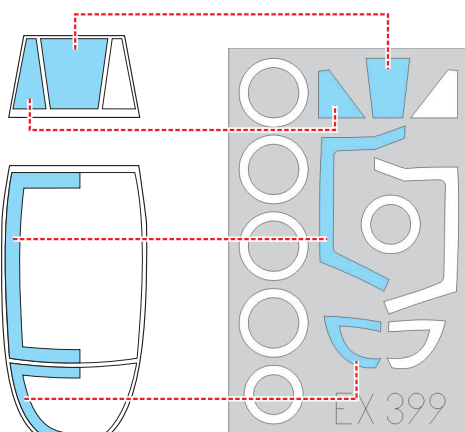
A1-8



LIQUID MASK
MASCOL

1.)

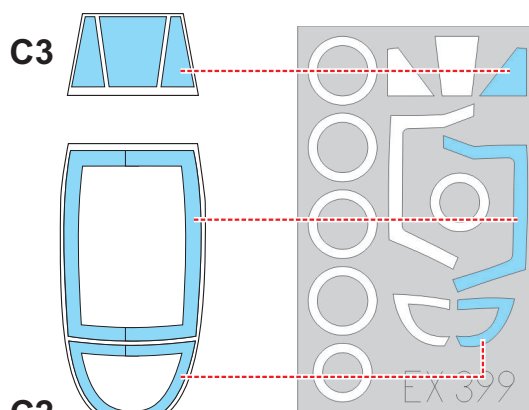
C3



C2

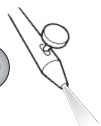
2.)

C3



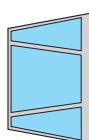
C2

3.)

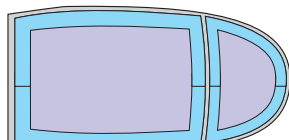


INTERIOR COLOR
BARVA INTERIÉRU

C3



C2

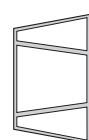


LIQUID MASK
MASCOL

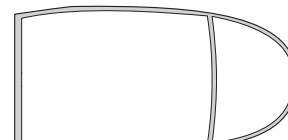
5.)

REMOVE MASK
ODSTRANIT MASKU

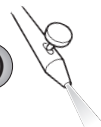
C3



C2



4.)



CAMOUFLAGE COLOR
BARVA KAMUFLÁŽE